

Original Instructions

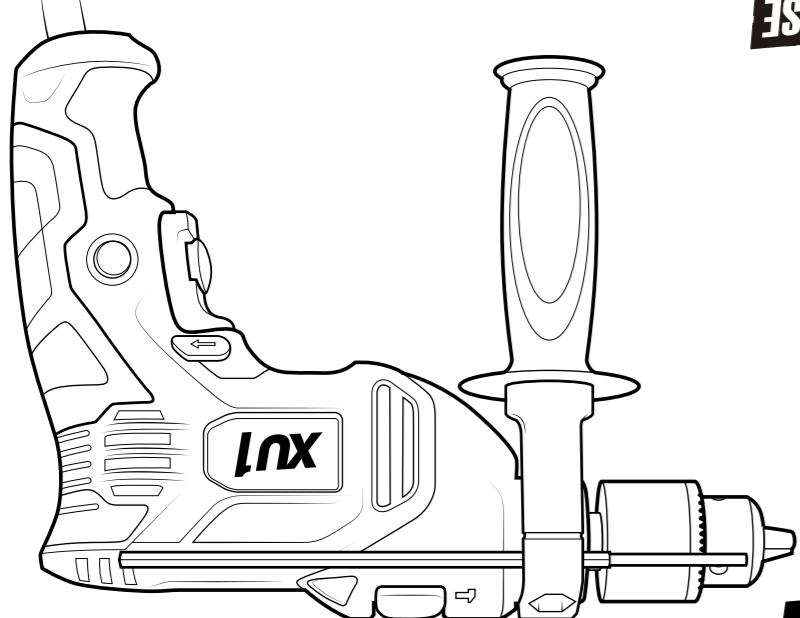
XHD-500U

REPLACEMENT WARRANTY
12 MONTHS HOME USE



500W
Hammer Drill

INX



ISC GmbH · Eschenstraße 6 · D-94405 Landau/Isar

EU

explains the following conformity according to EU directives and norms for the following product

Hammer Drill XHD-500U (XU1)

- | | |
|-------------------------------------------------|----------------------------------------------------------------------------------------|
| <input type="checkbox"/> 2014/29/EU | <input checked="" type="checkbox"/> 2006/42/EC |
| <input type="checkbox"/> 2005/32/EC_2009/125/EC | <input type="checkbox"/> Annex IV
Notified Body:
Notified Body No.:
Reg. No.: |
| <input type="checkbox"/> 2014/35/EU | |
| <input type="checkbox"/> 2006/28/EC | <input type="checkbox"/> 2000/14/EC_2005/88/EC |
| <input checked="" type="checkbox"/> 2014/30/EU | <input type="checkbox"/> Annex V |
| <input type="checkbox"/> 2014/32/EU | <input type="checkbox"/> Annex VI |
| <input type="checkbox"/> 2014/53/EC | Noise: measured L _{WA} = dB (A); guaranteed L _{WA} = dB (A) |
| <input type="checkbox"/> 2014/68/EU | P = KW; L/O = cm |
| <input type="checkbox"/> 90/396/EC_2009/142/EC | Notified Body: |
| <input type="checkbox"/> 89/686/EC_96/58/EC | <input type="checkbox"/> 2012/46/EU
Emission No.: |
| <input checked="" type="checkbox"/> 2011/65/EU | |

Standard references: EN 60745-1; EN 60745-2-1;
EN 55014-1; EN 55014-2; EN 61000-3-2; EN 61000-3-3

Landau/Isar, den 01.08.2017

Weichselgartner/General-Manager

Yang/Product-Management

First CE: 17
Art.-No.: 30.001.76 I.-No.: 11017
Subject to change without notice

Archive-File/Record: NAPR017306
Documents registrar: R. Gehard
Wiesenweg 22, D-94405 Landau/Isar

XU1 Power tools

Telephone: GB: 0151 294 4488 / IRL: 1850 882711

SAFETY INSTRUCTIONS

ALWAYS WEAR EYE, FACE AND EAR PROTECTION

When operating the tool

Check that the switch is in the "OFF" position before connecting to the power supply. Switch to "OFF" immediately after completion of the task.

Keep the mains cable away from any moving parts or accessories.

Never cover the ventilation slots in the tool.

Electrical safety

Before you connect the charger to the mains supply make sure that the data on the rating plate are identical to the mains data.

This tool is double insulated; therefore no earth wire is required.

Using an extension lead

Always use an approved extension lead suitable for the power input of this tool. Before use, inspect the extension lead for signs of damage, wear and ageing. Replace the extension lead if damaged or defective.

When using an extension lead on a reel, always unwind the lead completely. Use of an extension lead not suitable for the power input of the tool or which is damaged or defective may result in a risk of fire and electric shock.

The power supply for this product should be protected by a residual current device (rated at 30mA or less). A residual current device reduces the risk of electric shock.

If the supply cord of this power tool is damaged, it must be replaced by a specially prepared cord available through the service organization.

Description of symbols

- Danger!** - Read the operating instructions to reduce the risk of inquiry
- Caution! Wear ear-muffs.** The impact of noise can cause damage to hearing.
- Caution! Wear a breathing mask.** Dust which is injurious to health can be generated when working on wood and other materials. Never use the device to work on any materials containing asbestos!
- Wear eye protection**
- To avoid damaging the gearbox, the drill / hammer drill selector switch should only be moved when the machine is at a standstill
- Double insulated (Protection Class II)

General Power Tool Safety Warnings

WARNING! Read all safety warnings and all instructions. Failure to follow the warnings and instructions may result in electric shock, fire and/or serious injury. **Save all warnings and instructions for future reference.** The term "power tool" in all of the warnings refers to your mains-operated (corded) power tool or battery-operated (cordless) power tool.

1. Work area safety

- Keep work area clean and well lit.** Cluttered or dark areas invite accidents.
 - Do not operate power tools in explosive atmospheres, such as in the presence of flammable liquids, gases or dust.** Power tools create sparks which may ignite the dust or fumes.
 - Keep children and bystanders away while operating a power tool.** Distractions can cause you to lose control.
- Electrical safety**
 - Power tool plugs must match the outlet. Never modify the plug in any way. Do not use any adapter plugs with earthed (grounded) power tools.** Unmodified plugs and matching outlets will reduce risk of electric shock.
 - Avoid body contact with earthed or grounded surfaces, such as pipes, radiators, ranges and refrigerators.** There is an increased risk of electric shock if your body is earthed or grounded.
 - Do not expose power tools to rain or wet conditions.** Water entering a power tool will increase the risk of electric shock.
 - Do not abuse the cord. Never use the cord for carrying, pulling or unplugging the power tool. Keep cord away from heat, oil, sharp edges or moving parts.** Damaged or entangled cords increase the risk of electric shock.
 - When operating a power tool outdoors, use an extension cord suitable for outdoor use.** Use of a cord suitable for outdoor use reduces the risk of electric shock.
 - If operating a power tool in a damp location is unavoidable, use a residual current device (RCD) protected supply.** Use of an RCD reduces the risk of electric shock.

3. Personal safety

- Stay alert, watch what you are doing and use common sense when operating a power tool. Do not use a power tool while you are tired or under the influence of drugs, alcohol or medication.** A moment of inattention while operating power tools may result in serious personal injury.
- Use personal protective equipment. Always wear eye protection.** Protective equipment such as dust mask, non-skid safety shoes, hard hat, or hearing protection used for appropriate conditions will reduce personal injuries.
- Prevent unintentional starting. Ensure the switch is in the off-position before connecting to power source and/or battery pack, picking up or carrying the tool.** Carrying power tools with your finger on the switch or energising power tools that have the switch on invites accidents.
- Remove any adjusting key or wrench before turning the power tool on.** A wrench or a key left attached to a rotating part of the power tool may result in personal injury.
- Do not overreach. Keep proper footing and balance at all times.** This enables better control of the power tool in unexpected situations.
- Dress properly. Do not wear loose clothing or jewellery. Keep your hair, clothing and**

gloves away from moving parts. Loose clothes, jewellery or long hair can be caught in moving parts.

- If devices are provided for the connection of dust extraction and collection facilities, ensure these are connected and properly used.** Use of dust collection can reduce dust-related hazards.
- Do not let familiarity gained from frequent use of tools allow you to become complacent and ignore tool safety principles.** A careless action can cause severe injury within a fraction of a second.

4. Power tool use and care

- Do not force the power tool. Use the correct power tool for your application.** The correct power tool will do the job better and safer at the rate for which it was designed.
 - Do not use the power tool if the switch does not turn it on and off.** Any power tool that cannot be controlled with the switch is dangerous and must be repaired.
 - Disconnect the plug from the power source and/or remove the battery pack, if detachable, from the power tool before making any adjustments, changing accessories, or storing power tools.** Such preventive safety measures reduce the risk of starting the power tool accidentally.
 - Store idle power tools out of the reach of children and do not allow persons unfamiliar with the power tool or these instructions to operate the power tool.** Power tools are dangerous in the hands of untrained users.
 - Maintain power tools and accessories. Check for misalignment or binding of moving parts, breakage of parts and any other condition that may affect the power tool's operation. If damaged, have the power tool repaired before use.** Many accidents are caused by poorly maintained power tools.
 - Keep cutting tools sharp and clean.** Properly maintained cutting tools with sharp cutting edges are less likely to bind and are easier to control.
 - Use the power tool, accessories and tool bits etc. in accordance with these instructions, taking into account the working conditions and the work to be performed.** Use of the power tool for operations different from those intended could result in a hazardous situation.
 - Keep handles and grasping surfaces dry, clean and free from oil and grease.** Slippery handles and grasping surfaces do not allow for safe handling and control of the tool in unexpected situations.
- Service**
 - Have your power tool serviced by a qualified repair person using only identical replacement parts.** This will ensure that the safety of the power tool is maintained.

ADDITIONAL SAFETY INSTRUCTIONS FOR HAMMER DRILLS

The tool is recommended for use with a residual current device with a rated residual current of 30mA or less.

Before drilling into walls, ceilings etc, ensure that there are no concealed power cables or pipes in the cavity.

Always use the auxiliary handle. This gives you greater control if the drill should become jammed.

Keep the cord clear of the drill accessory, do not wrap the cord around your arm or wrist.

- Wear ear protectors with impact drills. Exposure to noise can cause hearing loss
- Use auxiliary handles supplied with the tool. Loss of control can cause personal injury
- Hold power tool by insulated gripping surfaces, when performing an operation where the cutting accessory may contact hidden wiring or its own cord.** Cutting accessory contacting a "live" wire may make exposed metal parts of the power tool "live" and could give the operator an electric shock.

WARNING! Some dust created by power sanding, sawing, grinding, drilling and other construction activities contains chemicals known to cause cancer, birth defects or other reproductive harm.

Some examples of these chemicals are:

- Lead from lead-based paints
- Crystalline silica from bricks and cement and other masonry products
- Arsenic and chromium from chemically treated timber

Your risk from exposure to these chemicals varies, depending on how often you do this type of work. To reduce your exposure to these chemicals: work in a well ventilated area and work with approved safety equipment, such as dust masks that are specially designed to filter out microscopic particles.

SOUND AND VIBRATION

Danger!

Sound and vibration

Sound and vibration values were measured in accordance with EN 60745.

L _{pA} Sound Pressure Level:	91.6dB(A)
K _{pA} Uncertainty:	3 dB
L _{WA} Sound Power Level:	102.6dB(A)
K _{WA} Uncertainty:	3 dB

Wear ear-muffs.

The impact of noise can cause damage to hearing. Total vibration values (vector sum of three directions) determined in accordance with EN 60745.

Hammer drilling in concrete (handle)

Vibration Emission Value a _{h, D} :	16.17m/s ²
K Uncertainty:	1.5m/s ²

Hammer drilling in concrete (additional handle)

Vibration Emission Value a _{h, D} :	12.60m/s ²
K Uncertainty:	1.5m/s ²

Drilling in metal (handle)

Vibration Emission Value a _{h, D} :	4.95m/s ²
K Uncertainty:	1.5m/s ²

Drilling in metal (additional handle)

Vibration Emission Value a _{h, D} :	4.82m/s ²
K Uncertainty:	1.5m/s ²

The specified vibration value was established in accordance with a standardized testing method. It may change according to how the electric equipment is used and may exceed the specified value in exceptional circumstances.

The specified vibration value can be used to compare the equipment with other electric power tools. The specified vibration value can be used for initial assessment of a harmful effect.

Keep the noise emissions and vibrations to a minimum.

- Only use appliances which are in perfect working order.
- Service and clean the appliance regularly.
- Adapt your working style to suit the appliance.
- Do not overload the appliance.
- Have the appliance serviced whenever necessary.
- Switch the appliance off when it is not in use.
- Wear protective gloves.

MAINTENANCE

- Your tool has been designed to operate over a long period of time with a minimum of maintenance.
- Continuous satisfactory operation depends upon proper tool care and regular cleaning.
- When not in use the drill should be stored in a dry, frost-free location not within the reach of children.
- Keep ventilation slots of the drill clean at all times and prevent any foreign matter from entering.
- If the housing of the drill requires cleaning do not use solvents but a moist soft cloth only.

Note: Ozito Industries will not be responsible for any damage or injuries caused by repair of the tool by an unauthorised person or by mishandling of the tool.

If the supply cord of this power tool is damaged, it must be replaced by a specially prepared cord available through the service organization.

SERVICE INFORMATION

Please note that the following parts of this product are subject to normal or natural wear and that the following parts are therefore also required for use as consumables.

Category	Example
Wear parts*	Carbon brushes, chuck
Consumables*	Drill bits
Missing parts	

* Not necessarily included in the scope of delivery!



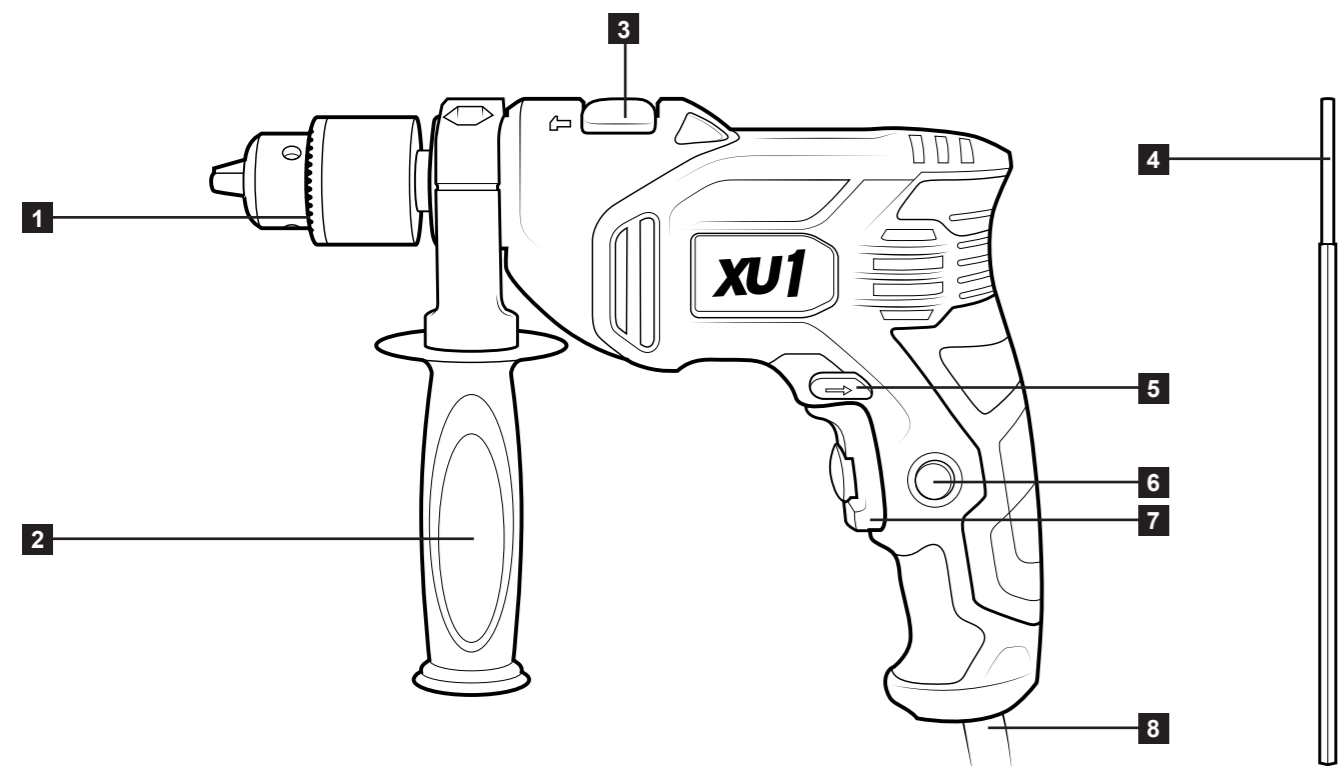
For EU countries only

Never place any electric power tools in your household refuse.

To comply with European Directive 2012/19/EC concerning old electric and electronic equipment and its implementation in national laws, old electric power tools have to be separated from other waste and disposed of in an environment-friendly fashion, e.g. by taking to a recycling depot.

Recycling alternative to the return request: As an alternative to returning the equipment to the manufacturer, the owner of the electrical equipment must make sure that the equipment is properly disposed of if he no longer wants to keep the equipment. The old equipment can be returned to a suitable collection point that will dispose of the equipment in accordance with the national recycling and waste disposal regulations. This does not apply to any accessories or aids without electrical components supplied with the old equipment.

Subject to technical changes



- | | |
|---------------------------|---------------------------|
| 1 Metal Chuck | 5 Forward / Reverse Lever |
| 2 Side Handle | 6 Lock-On Button |
| 3 Drill / Hammer Selector | 7 Variable Speed Trigger |
| 4 Depth Rod | 8 Power Cord |

SPECIFICATIONS

Input power:	500W
Input voltage:	230V-50Hz
No load speed:	0-3,000/min
Impact rate	48,000/min
Max. chuck capacity:	13mm
Maximum drilling capacity:	
Wood:	25mm
Steel:	10mm
Masonry:	13mm
Protection class:	II

Items Supplied

Please check that the article is complete as specified in the scope of delivery. If parts are missing, please contact our service center or the sales outlet where you made your purchase at the latest within 5 working days after purchasing the product and upon presentation of a valid bill of purchase. Also, refer to the warranty table in the service information at the end of the operating instructions.

- Open the packaging and take out the equipment with care.
- Remove the packaging material and any packaging and/or transportation braces (if available).
- Check to see if all items are supplied.
- Inspect the equipment and accessories for transport damage.
- If possible, please keep the packaging until the end of the guarantee period.

Danger!

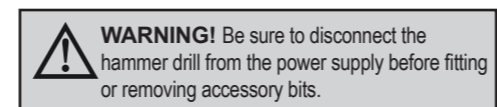
The equipment and packaging material are not toys. Do not let children play with plastic bags, foils or small parts. There is a danger of swallowing or suffocating!

Caution! Residual risks

Even if you use this electric power tool in accordance with instructions, certain residual risks cannot be ruled out. The following hazards may arise in connection with the equipment's construction and layout:

1. Lung damage if no suitable protective dust mask is used.
2. Damage to hearing if no suitable ear protection is used.
3. Health damage caused by hand-arm vibrations if the equipment is used over a prolonged period or is not properly guided and maintained.

USING YOUR HAMMER DRILL



The drill is designed for drilling holes into wood, iron, non-ferrous metals and rock using the appropriate bits.

The equipment is to be used only for its prescribed purpose. Any other use is deemed to be a case of misuse. The user / operator and not the manufacturer will be liable for any damage or injuries of any kind caused as a result of this.

Please note that our equipment has not been designed for use in commercial, trade or industrial applications. Our warranty will be voided if the machine is used in commercial, trade or industrial businesses or for equivalent purposes.

Before attempting to operate the machine, familiarise yourself with the controls and make sure you know how to stop the machine quickly in an emergency.

Save these instructions and other documents supplied with this machine for future reference.

Getting started Attach the auxiliary handle

1. The auxiliary handle provides additional control, support and guidance for the drill
2. The auxiliary handle can be set to any position around the 360° handle collar mount.
3. Loosen the auxiliary handle grip by rotating it anti-clockwise.
4. Slide the collar of the auxiliary handle over the chuck and onto the auxiliary handle collar mount of the drill
5. Secure the auxiliary handle by turning the auxiliary handle grip clockwise. **FIG. A**

Adjusting the depth rod

1. Loosen the auxiliary handle by turning it anti-clockwise.
2. Insert the depth rod into the hole in the side handle and adjust so that the drill bit extends beyond the end of the rod to the required drilling depth. **FIG. B**
3. Lock the depth rod in position by turning the auxiliary handle clockwise.

Controls

It is important to understand the functions of the various controls. Please see below how and when to use the on/off switch, speed control, speed pre-selector, forward/reverse control and the drill / hammer selector. Familiarise yourself with these controls before first use of your new drill.

On/off switch

1. Turn the drill on by depressing the trigger. **FIG. C**
To turn the tool off, release the trigger switch.
2. The tool can be locked on by first depressing the trigger switch and then pressing the lock-on button
3. Once the lock-on button has been engaged the switch will remain locked on.
4. To turn the tool off, press and release the trigger switch.

Speed control

1. The speed can be varied according to the pressure applied to the trigger switch. The harder you squeeze, the faster the rotation from zero up to a preset maximum.

Forward/reverse lever

1. The direction of rotation of the chuck is controlled by the forward/reverse lever located above the trigger switch. **FIG. D**
2. For forward rotation: move the lever to the left
3. For reverse rotation: move the lever to the right

Note: Do not change the direction of rotation while the chuck is still in motion.

Adjusting between hammer and drill mode of operation

1. Move the mode selector to the left (hammer icon) to select the hammer mode **FIG. E**
2. Move the mode selector to the right (drill bit icon) to select the drill mode.

Note: When drilling in hammer mode, carbide tipped drill bits should be used and the drill must be set to rotate in the forward rotation.

Inserting a bit

1. Disconnect the drill from the mains supply.
2. Twist the chuck sleeve to open the jaws slightly larger than the diameter of the bit you are inserting
3. Insert the drill bit up to its flutes making sure it is centred in the jaws.
4. Tighten the chuck by turning the chuck sleeve **FIG. F**
5. Once the jaws have clamped evenly around the drill bit, use the chuck key to tighten the chuck securely.
6. Always tighten the chuck using all three holes. This will ensure a firm grip on the accessory.
7. Occasionally check the tightness of the chuck during drilling as it may vibrate loose.
8. Reconnect the drill to the supply, switch on and check that the bit runs true and does not wobble indicating that it is not sitting square. Adjust if necessary after again disconnecting the tool from the power supply.

Removing a bit

1. Disconnect the drill from the power supply
2. Use the chuck key to loosen the chuck
3. Remove the bit

Note. Use gloves to handle drill bits and other sharp accessories. Also be aware that drill bits can be very hot after even a short period of use.

Drilling in all materials

1. Always use sharp drill bits
2. Mark the place where the hole is to be drilled
3. Commence with a slow speed to start the hole then increase the speed once the hole has been started
4. Reduce your pressure on the tool when the drill bit is about to break through the material.

Drilling in wood

1. Move the mode selector to the right (drill bit icon) to select the drill mode.
2. Mark the place where you want to drill with a punch or nail.
3. To avoid splintering on breakthrough either clamp a piece of scrap wood to the back of the work piece or continue the hole from the back of the work piece when the drill bit first breaks through.

Drilling in metal

1. Move the mode selector to the right (drill bit icon) to select the drill mode.
2. Support thin material on a scrap piece of wood
3. Use a punch to mark the position of the hole. Careful use of the variable speed feature allows you to start holes without centre punching. Operate the drill at a low speed until you start the hole.
4. If drilling a large hole use a small drill bit at first to establish a pilot hole then use the required large sized drill bit.
5. Use only HSS (High speed steel) drill bits or those recommended for metal use.
6. When drilling into iron or steel, use a cooling lubricant such as thin oil
7. With aluminium, use turpentine or paraffin
8. With brass, copper and cast iron, use no lubricant but withdraw the drill regularly to assist cooling.

Hammer drilling in masonry

1. Move the mode selector to the left (hammer icon) to select the hammer mode.
2. Hold the drill firmly and place the bit at the point to be drilled.
3. Depress the switch to start the drill
4. Move the drill bit into the work piece applying only enough pressure to keep the bit cutting
Note: Do not force the drill or apply side pressure to elongate a hole. Let the drill and bit do the work.
5. If the bit jams in the work piece or if the drill stalls, stop the tool immediately. Remove the bit from the work piece and determine the reason for jamming.

WARRANTY

All of our products undergo strict quality checks to ensure that they reach you in perfect condition. In the unlikely event that your device develops a fault, please contact our service department at the address shown on this guarantee card. You can also contact us by telephone using the customer service number shown. Please note the following terms under which guarantee claims can be made:

1. These warranty terms regulate additional warranty services, which the manufacturer mentioned below promises to buyers of its new products in addition to their statutory guarantee claims are not affected by this guarantee. Our guarantee is free of charge to you.

2. The warranty services only covers defects due to material or manufacturing faults on a product which you have bought from the manufacturer mentioned below are limited to either the rectification of said defects on the product or the replacement of the product, whichever we prefer. Please note that our devices are not designed for use in commercial, trade or professional applications. A guarantee contract will not be created if the device has been used by commercial, trade or industrial business or has been exposed to similar stresses during the guarantee period.

3. The following are not covered by our guarantee:
- Damage to the device caused by a failure to follow the assembly instructions or due to incorrect installation, a failure to follow the operating instructions (for example connecting it to an incorrect mains voltage or current type) or a failure to follow the maintenance and safety instructions or by exposing the device to abnormal environmental conditions or by lack of care and maintenance.
- Damage to the device caused by abuse or incorrect use (for example overloading the device or the use of unapproved tools or accessories), ingress of foreign bodies into the device (such as sand, stones or dust, transport damage), the use of force or damage caused by external forces (for example by dropping it).
- Damage to the device or parts of the device caused by normal or natural wear or tear or by normal use of the device.

4. Your Product is guaranteed for a period of 12 months from the original date of purchase and is intended for DIY (Do It Yourself) use only. Warranty excludes consumable parts, for example: cutting blade. Guarantee claims should be submitted before the end of the guarantee period within two weeks of the defect being noticed. No guarantee claims will be accepted after the end of the guarantee period. The original guarantee period remains applicable to the device even if repairs are carried out or parts are replaced. In such cases, the work performed or parts fitted will not result in an extension of the guarantee period, and no new guarantee will become active for the work performed or parts fitted. This also applies if an on-site service is used.

IN ORDER TO MAKE A CLAIM UNDER THIS WARRANTY YOU MUST RETURN THE PRODUCT TO THE PLACE OF PURCHASE WITH YOUR REGISTER RECEIPT.

Please refer to the restrictions of this warranty concerning wearing parts, consumables and missing parts as set out in the service information in these operating instructions.

CUSTOMER SERVICE HELPLINE
GB: 0151 294 4488
IRL: 1850 882711

XU1
Unit 9 Stadium Court, Wirral International Business Park, Plantation Road, Bromborough, Wirral, CH62 3QG