

## MAINTENANCE

**WARNING!** BEFORE CLEANING OR CARRYING OUT ANY MAINTENANCE PROCEDURE, MAKE SURE THAT THE MOTOR IS OFF AND THE TOOL DISCONNECTED FROM THE POWER SUPPLY TO PREVENT ACCIDENTAL STARTING.

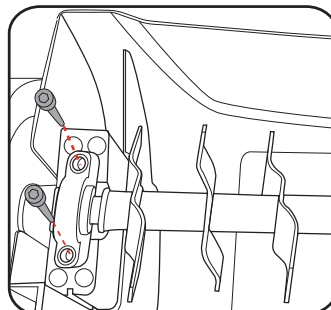
### Removing the Roller

**CAUTION!** DO NOT TOUCH ROTATING ROLLER.

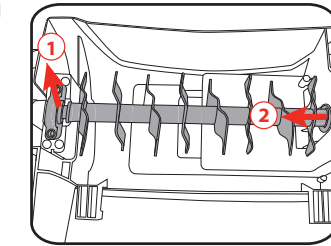
**CAUTION!** ALWAYS HANDLE THE ROLLER WITH CARE – SHARP EDGES COULD CAUSE SERIOUS INJURY. USE GLOVES.

Only replace the roller with a genuine Ozito replacement roller, as this will ensure top performance and safety under all conditions.

- With a 5mm hex key (not included), remove the two bolts.

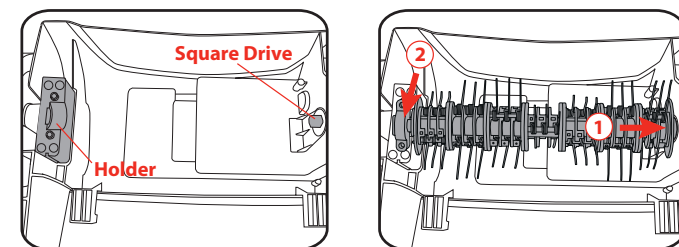


- Lift the roller on this side (1) and pull out in the direction of the arrow (2).



### Fitting the Roller

- Slide the new roller in the direction of the arrow (1) onto the square-ended drive and press into the holder (2).



- Refasten the roller with the two bolts using a 5mm hex key.

**Note:** Apply grease to the square drive from time to time so that the rollers can be changed easily.

Ozito Industries will not be responsible for any damage or injuries caused by repair of the tool by an unauthorised person or mishandling or mistreatment of the tool. This tool is designed for Domestic Home Use only. Use in commercial or industrial environments will void the warranty.

- Keep all nuts, bolts and screws tight to be sure the scarifier aerator is in a safe working condition.
- Check the catcher frequently for wear or deterioration.
- Replace worn or damaged parts for safety.
- Only use the replacement roller specified for this product.
- Be careful during adjustments of the scarifier aerator to prevent entrapment of the fingers between moving roller and fixed parts of the machine.
- Oil the wheel pins.
- When not in use, the scarifier aerator should be stored in a dry, frost-free location, out of reach of children. If the housing requires cleaning, do not use solvents but a moist soft cloth and brush only.
- Frequently check the roller bolt threads are firm and tight.

## TROUBLESHOOTING

Problem	Cause	Remedy
The motor fails to start	There is no electricity at the plug	Check the cable and the fuse
	The cable is defective	Check the cable
	Switch, switch/plug block defective	Have machine checked by a customer service centre
	Connections to motor or capacitor disconnected	Have machine checked by a customer service centre
The motor performance drops	Housing clogged	If necessary adjust working depth. Clean housing so that the roller can run freely
	Soil is too firm	Change working depth
	Housing clogged	Clean housing
Imprecise scarifying	Roller worn	Replace roller
	Wrong working depth	Correct working depth
Motor is running, roller is not rotating	Toothed belt is torn	Replace belt

## SERVICE INFORMATION

Please note that the following parts of this product are subject to normal or natural wear and that the following parts are therefore also required for use as consumables.

Category	Example
Wear parts*	V-belt, Roller
Consumables*	
Missing parts	

\* Not necessarily included in the scope of delivery!

## ADDITIONAL INFORMATION

### Danger!

**Sound and vibration**  
Sound and vibration values were measured in accordance with EN ISO 3744: 1995, EN ISO 11201: 1995, EN 1033:1995.

$L_{pA}$  sound pressure level: 85 dB(A)  
 $L_{wA}$  sound power level: 99 dB(A)  
Vibration at the handlebars: 2.71 m/s<sup>2</sup>  
K uncertainty: 1.5 m/s<sup>2</sup>

### Keep the noise emissions and vibrations to a minimum.

- Only use appliances which are in perfect working order.
- Service and clean the appliance regularly.
- Adapt your working style to suit the appliance.
- Do not overload the appliance.
- Have the appliance serviced whenever necessary.
- Switch the appliance off when it is not in use.
- Wear protective gloves.

### Caution!

**Residual risks**  
Even if you use this electric power tool in accordance with instructions, certain residual risks cannot be ruled out. The following hazards may arise in connection with the equipment's construction and layout:

- Damage to hearing if no suitable ear protection is used.
- Health damage caused by hand-arm vibrations if the equipment is used over a prolonged period or is not properly guided and maintained.



For EU countries only

Never place any electric power tools in your household refuse.

To comply with European Directive 2012/19/EC concerning old electric and electronic equipment and its implementation in national laws, old electric power tools have to be separated from other waste and disposed of in an environment-friendly fashion, e.g. by taking to a recycling depot.

### Recycling alternative to the return request:

As an alternative to returning the equipment to the manufacturer, the owner of the electrical equipment must make sure that the equipment is properly disposed of if he no longer wants to keep the equipment. The old equipment can be returned to a suitable collection point that will dispose of the equipment in accordance with the national recycling and waste disposal regulations. This does not apply to any accessories or aids without electrical components supplied with the old equipment.

The reprinting or reproduction by any other means, in whole or in part, of documentation and papers accompanying products is permitted only with the express consent of the ISC GmbH.

Subject to technical changes.

## SPARE PARTS

Spare parts can be ordered from the Special Orders Desk at your local Bunnings Warehouse or Homebase store.

For further information, or any parts visit [www.ozito-diy.co.uk](http://www.ozito-diy.co.uk) or contact Ozito Customer Service: Great Britain: 0151 294 4488 Ireland: 1850 882711 E-mail: [info@ozito-diy.co.uk](mailto:info@ozito-diy.co.uk)

## DECLARATION OF CONFORMITY

ISC GmbH · Eschenstraße 6 · D-94405 Landau/Isar



explains the following conformity according to EU directives and norms for the following product

Electric Scarifier and Lawn Aerator ESA-1231U (Ozito)	
<input type="checkbox"/> 2014/29/EU	<input checked="" type="checkbox"/> 2006/42/EC
<input type="checkbox"/> 2005/32/EC, 2009/125/EC	<input type="checkbox"/> Annex IV
<input type="checkbox"/> 2014/25/EU	Notified Body No.:
<input type="checkbox"/> 2006/28/EC	Reg. No.:
<input checked="" type="checkbox"/> 2014/30/EU	<input checked="" type="checkbox"/> 2009/14/EC, 2005/88/EC
<input type="checkbox"/> 2014/32/EU	<input checked="" type="checkbox"/> Annex V
<input type="checkbox"/> 2014/53/EC	<input type="checkbox"/> Annex VI
<input type="checkbox"/> 2014/68/EU	Notified Body:
<input type="checkbox"/> 2013/86/EC, 2009/142/EC	Note: measured $L_{wA}$ = 96 dB(A); guaranteed $L_{wA}$ = 99 dB(A)
<input type="checkbox"/> 2013/86/EC, 2009/142/EC	P = 1.2 kW; L <sub>0</sub> = 31 cm
<input type="checkbox"/> 2013/86/EC, 2009/142/EC	Notified Body:
<input checked="" type="checkbox"/> 2011/65/EU	<input type="checkbox"/> 2012/46/EU
	Emission No.:

Standard references: EN 60335-1; EN 50636-2-92; EN 13684; EN 62233; EN 55014-1; EN 55014-2; EN 61000-3-2; EN 61000-3-3

Landau/Isar, den 11.09.2017

Wolfgang Gernold, Manager  
Geoprodukt-Management

First CE: 17  
Art.-No.: 30.002.00 L.No.: 11017  
Subject to change without notice

Archive-File/Record: NAPPD17666  
Documents registrar: R. Gehard  
Wiesengasse 22, D-94405 Landau/Isar

## DESCRIPTION OF SYMBOLS

		<b>Important!</b> Read the directions for use before operating the tool.
		Keep other persons (and animals) away from the danger zone.
		<b>Caution!</b> Sharp teeth. The teeth continue to rotate after the equipment is switched off. Pull the plug out of the socket outlet before carrying out any maintenance or if the cable becomes damaged.
		Wear hearing and eye protection.
		Keep the power cable away from the roller.
		<b>Danger!</b> Read the operating instructions to reduce the risk of injury
		Guaranteed sound power level: 99 dB

## ELECTRICAL SAFETY

**WARNING!** When using mains-powered tools, basic safety precautions, including the following, should always be followed to reduce risk of fire, electric shock, personal injury and material damage.  
Read the whole manual carefully and make sure you know how to switch the tool off in an emergency, before operating the tool.

Save these instructions and other documents supplied with this tool for future reference.

Before you connect the equipment to the mains supply make sure that the data on the rating plate are identical to the mains data.

This tool is double insulated therefore no earth wire is required.

If the supply cord is damaged, it must be replaced by an electrician or a power tool repairer in order to avoid a hazard.

**Note:** Double insulation does not take the place of normal safety precautions when operating this tool. The insulation system is for added protection against injury resulting from a possible electrical insulation failure within the tool.

## GENERAL POWER TOOL SAFETY WARNINGS

**WARNING!** Read all safety warnings, instructions, illustrations and specifications provided with this power tool. Failure to follow the warnings and instructions may result in electric shock, fire and/or serious injury. Save all warnings and instructions for future reference. The term "power tool" in the warnings refers to your mains-operated (corded) power tool or battery-operated (cordless) power tool.

**1. Work area safety**  
a. Keep work area clean and well lit. Cluttered or dark areas invite accidents.  
b. Do not operate power tools in explosive atmospheres, such as in the presence of flammable liquids, gases or dust. Power tools create sparks which may ignite the dust or fumes.  
c. Keep children and bystanders away while operating a power tool. Distractions can cause you to lose control.

**2. Electrical safety**  
a. Power tool plugs must match the outlet. Never modify the plug in any way. Do not use any adapter plugs with earthed (grounded) power tools. Unmodified plugs and matching outlets will reduce risk of electric shock.  
b. Avoid body contact with earthed or grounded surfaces, such as pipes, radiators, ranges and refrigerators. There is an increased risk of electric shock if your body is earthed or grounded.  
c. Do not expose power tools to rain or wet conditions. Water entering a power tool will increase the risk of electric shock.  
d. Do not abuse the cord. Never use the cord for carrying, pulling or unplugging the power tool. Keep cord away from heat, oil, sharp edges or moving parts. Damaged or entangled cords increase the risk of electric shock.

e. When operating a power tool outdoors, use an extension cord suitable for outdoor use. Use of a cord suitable for outdoor use reduces the risk of electric shock.  
f. If operating a power tool in a damp location is unavoidable, use a residual current device (RCD) protected supply. Use of an RCD reduces the risk of electric shock.

**3. Personal safety**  
a. Stay alert, watch what you are doing and use common sense when operating a power tool. Do not use a power tool while you are tired or under the influence of drugs, alcohol or medication. A moment of inattention while operating power tools may result in serious personal injury.  
b. Use personal protective equipment. Always wear eye protection. Protective equipment such as dust mask, non-skid safety shoes, hard hat, or hearing protection used for appropriate conditions will reduce personal injuries.  
c. Prevent unintentional starting. Ensure the switch is in the off-position before connecting to power source and/or battery pack, picking up or carrying the tool. Carrying power tools with your finger on the switch or energising power tools that have the switch on invites accidents.

**4. Additional safety instructions**  
This equipment is not to be used by people (including children) with disabilities, whether physical, sensory or cognitive, or by people without prior experience/adequate knowledge of the equipment, without supervision by qualified safety personnel, or instructions on how to use it.  
Children should be supervised, to ensure that they do not play with the equipment

**Replacing the power cable**  
If the power cable for this equipment is damaged, it must be replaced by the manufacturer or its after-sales service or similarly trained personnel to avoid danger.

**CAUTION:** To prevent a risk arising from the unintentional resetting of the thermal cut-out, never connect the equipment to an external switching device such as a timer switch or to an electric circuit which is regularly switched on and off.

**Safety instructions**  
**1.1 General Safety Instructions for this electrical equipment**  
• This equipment is not to be used by people (including children) with disabilities, whether physical, sensory or cognitive, or by people without prior experience/adequate knowledge of the equipment, without supervision by qualified safety personnel, or instructions on how to use it.  
• Children should be supervised, to ensure that they do not play with the equipment

**1.2 Safety instructions for electric scarifiers**  
• Both before and after every time the equipment is used, check for damage and wear to the mains connection and extension cable. The equipment must not be used if cables are damaged.  
• If the electricity supply should get damaged during use of the equipment, the plug must immediately be removed from the socket. The mains connection and extension cable must not be touched until the plug is removed from the socket.  
• Before each use, check the equipment for possible damage. The equipment should not be used if it is damaged, and must not be used up until it has been attended to by a specialist customer service personnel.  
• If the equipment vibrates excessively, switch it off immediately and remove the plug from the socket. Tilt the equipment to examine the scarifier roller for possible causes of imbalance and remove these as necessary. Always wear gloves when working with this equipment, to avoid cuts. Should this not be the cause, consult one of our service personnel for repairs.  
• When starting, both hands must be on the handle, the equipment must be on the ground, and must not be overturned.  
• Safety components must be checked for damage before each use, and if any damage is present, must be replaced by our customer service personnel.

**Warning**  
**Danger! The Lawn Scarifier (Lawn ventilator) must not be used if any connections are damaged or worn out.**

**Danger! Do not connect a damaged cable to the power supply and do not touch the cable before it is disconnected from the power supply. A damaged cable may result in contact with active parts.**

**Danger! Do not touch the teeth before the equipment is disconnected from the power supply and the teeth have reached a complete standstill.**

**Danger! Keep the extension cables away from the teeth. The teeth could damage the cables and lead to contact with active parts.**

**Danger! Always interrupt maintenance work (by removing the plug from the socket):**  
• when the equipment is left unattended,  
• before a trapped tool is freed from the machine,  
• when the equipment is checked, cleaned, or having maintenance work done  
• after a foreign body has been hit.

### Using an Extension Lead

Please only use power cables that are not damaged. The total length of the power cable should not exceed 40 meters; going beyond this distance will reduce the power output of the electric motor. The power cable must have a cross-section of 3 x 1.5 mm<sup>2</sup>. The insulating sheath of lawn mower power cables is frequently damaged.

**Some of the causes for this are:**

- Cuts caused by running over the cable
- Pinching when the power cable is dragging under doors and pulled through windows.
- Cracking due to old age of the insulation

• Kinking by improper fastening or guiding the power cable.  
The power cables must, at the very minimum, be of type H05RN-F and 3-stranded. The cable type must be printed somewhere on the power cable. Only purchase power cables that are marked as such! Plugs and socket couplers for the power cables must be made from rubber and be splashproof. There is a limit to how long power cables can be. Longer power cables require larger conductor cross-sections. Power cables and connecting lines must be regularly checked for damage. Ensure that the lines are de-energized before checking them. Completely unwind the power cable. Also check power cable entry points, plugs and socket couplers for kinks.

• Do not use the power tool if the switch does not turn it on and off. Any power tool that cannot be controlled with the switch is dangerous and must be repaired.

c. Disconnect the plug from the power source and/or remove the battery pack, if detachable, from the power tool before making any adjustments, changing accessories, or storing power tools.  
Such preventive safety measures reduce the risk of starting the power tool accidentally.  
d. Store idle power tools out of the reach of children and do not allow persons unfamiliar with the power tool or these instructions to operate the power tool. Power tools are dangerous in the hands of untrained users.

e. Maintain power tools and accessories. Check for misalignment or binding of moving parts, breakage of parts and any other condition that may affect the power tool's operation. If damaged, have the power tool repaired before use. Many accidents are caused by poorly maintained power tools.  
f. Keep cutting tools sharp and clean. Properly maintained cutting tools with sharp cutting edges are less likely to bind and are easier to control.

g. Use the power tool, accessories and tool bits etc. in accordance with these instructions, taking into account the working conditions and the work to be performed. Use of the power tool for operations different from those intended could result in a hazardous situation.  
h. Keep handles and grasping surfaces dry, clean and free from oil and grease. Slippery handles and grasping surfaces do not allow for safe handling and control of the tool in unexpected situations.

**5. Service**  
a. Have your power tool serviced by a qualified repair person using only identical replacement parts. This will ensure that the safety of the power tool is maintained.

• or if the equipment vibrates abnormally.

It is advisable only to connect the equipment to an electricity supply which is protected by a residual-current operated protective device (RCD) with a release current of max. 30 mA.

**Preparations**  
a) Never allow children or other persons who are not familiar with the operating instructions to use the equipment. Contact your local governmental agency for information regarding minimum age requirements for the user.  
b) Never use the machine while other people, particularly children or animals, are nearby.  
c) Always keep in mind that the operator or user of the equipment is responsible for accidents or risks involving other persons or their property.

d) Wear hearing and eye protection while operating the machine.  
e) Always wear sturdy, non-slip footwear and long trousers when using the equipment. Never use the equipment barefoot or in sandals.  
f) Check the ground on which the equipment will be used and remove stones, sticks, wire, bones and other foreign bodies that could be caught up and violently flung out.

g) Before use, always visually examine the tools and bolts for signs of wear or damage. To prevent any imbalance, replace worn out or damaged tools and bolts as a set only.  
h) If you operate equipment with an ejector at the rear and exposed rear rollers without a debris device, you must wear full eye protection at all times.

**Handling**  
a) Only use the equipment in broad daylight or in well-lit conditions; b) if possible, the equipment should not be used on damp grass, but if this cannot be avoided, take special care to ensure that you do not slip;  
c) Always maintain good footing on slopes;  
d) Only operate the equipment at a walking pace;  
e) Always guide the equipment across slopes, never straight up or down;  
f) Be particularly careful when you change direction on a slope.  
g) Do not work on overly steep slopes;  
h) Be particularly careful when you turn the equipment around or pull it toward yourself.  
i) Stop the tools if the equipment has to be tipped to one side for transport purposes. Stop the tools if you cross any surfaces other than grass and whilst transporting the equipment from and to the area on which you wish to use it.  
j) Never use the equipment with damaged or missing safety devices, e.g. without deflector plates and/or the grass collecting device.

k) Do not adjust or over clock the engine speed settings;  
l) Uncouple all tools and drive units before you start the engine;  
m) Use the ON/OFF switch with caution, according to the manufacturer's advice. Make sure that your feet are far enough away from the tools!.

n) Do not tilt the equipment when you start the engine, unless the equipment must be raised off of the ground a little, in order to start it. In this case, tilt it as little as absolutely necessary and only raise the side opposite to that of the user;  
o) Do not start the motor if you are positioned in front of the chute;  
p) Never move your hands or feet toward or under any rotating parts. Keep clear of the chute opening at all times;  
q) Never lift or carry the equipment with the engine running.

**Maintenance and storage**  
a) Make sure that all nuts, bolts and screws are tightened securely to ensure that the equipment is in safe working condition;  
b) Allow the motor to cool before you put the equipment in an enclosed area;  
c) to avoid risk of fire, keep the ventilation openings free of grass, straw, moss, leaves and similar materials,  
d) Make regular checks on the grass collecting device for wear or damaged parts;  
e) Check the equipment at regular intervals and replace worn or damaged parts for your own safety.

## OZITO

## SCARIFIER / LAWN AERATOR

1200W

### ORIGINAL INSTRUCTIONS

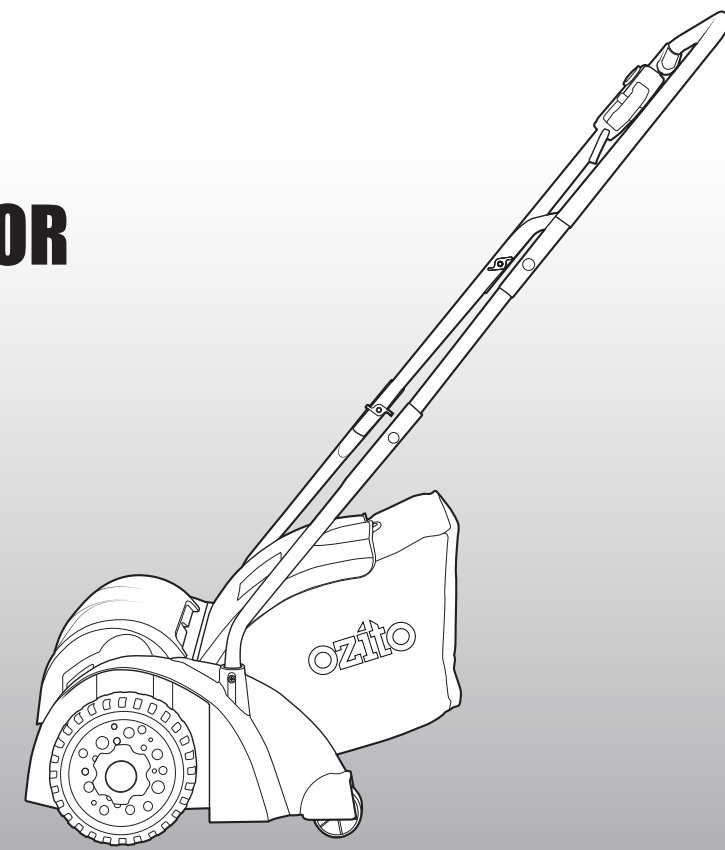
### SPECIFICATIONS

Power Rating:	1200W
Working Width:	310mm
Scarifier-Roller:	8 double blades
Aerating Roller:	42 claws
Scarifying Depth:	-3 / 3 / 7 / 9mm
Catcher:	28 litre
Protection Type:	IPX4
Protection Class:	II
Weight:	10.87kg

[ozito-diy.co.uk](http://ozito-diy.co.uk)



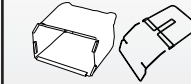
3 YEAR REPLACEMENT WARRANTY



### WHAT'S IN THE BOX



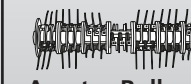
Scarifier / Lawn Aerator



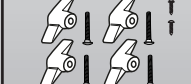
Catcher and Frame



Handle Parts



Aerator Roller



Handle Fasteners



Cord Clips

ESA-1231U

## WARRANTY

All of our products undergo strict quality checks to ensure that they reach you in perfect condition. In the unlikely event that your device develops a fault, please contact our service department at the address shown on this guarantee card. You can also contact us by telephone using the customer service number shown. Please note the following terms under which guarantee claims can be made:

**1.** These warranty terms regulate additional warranty services, which the manufacturer mentioned below promises to buyers of its new products in addition to their statutory guarantee claims are not affected by this guarantee. Our guarantee is free of charge to you.

**2.** The warranty services only covers defects due to material or manufacturing faults on a product which you have bought from the manufacturer mentioned below are limited to either the rectification of said defects on the product or the replacement of the product, whichever we prefer.

Please note that our devices are not designed for use in commercial, trade or professional applications. A guarantee contract will not be created if the device has been used by commercial, trade or industrial business or has been exposed to similar stresses during the guarantee period.

**3.** The following are not covered by our guarantee:  
- Damage to the device caused by a failure to follow the assembly instructions or due to incorrect installation, a failure to follow the operating instructions (for example connecting it to an incorrect mains voltage or current type) or a failure to follow the maintenance and safety instructions or by exposing the device to abnormal environmental conditions or by lack of care and maintenance.  
- Damage to the device caused by abuse or incorrect use (for example overloading the device or the use of unapproved tools or accessories), ingress of foreign bodies into the device (such as sand, stones or dust, transport damage), the use of force or damage caused by external forces (for example by dropping it).  
- Damage to the device or parts of the device caused by normal or natural wear or tear or by normal use of the device.

**4.** Your Product is guaranteed for a period of 36 months from the original date of purchase and is intended for DIY (Do It Yourself) use only. Warranty excludes consumable parts. Guarantee claims should be submitted before the end of the guarantee period within two weeks of the defect being noticed. No guarantee claims will be accepted after the end of the guarantee period. The original guarantee period remains applicable to the device even if repairs are carried out or parts are replaced. In such cases, the work performed or parts fitted will not result in an extension of the guarantee period, and no new guarantee will become active for the work performed or parts fitted. This also applies if an on-site service is used.

**IN ORDER TO MAKE A CLAIM UNDER THIS WARRANTY YOU MUST RETURN THE PRODUCT TO THE PLACE OF PURCHASE WITH YOUR REGISTER RECEIPT.**

Please refer to the restrictions of this warranty concerning wearing parts, consumables and missing parts as set out in the service information in these operating instructions.

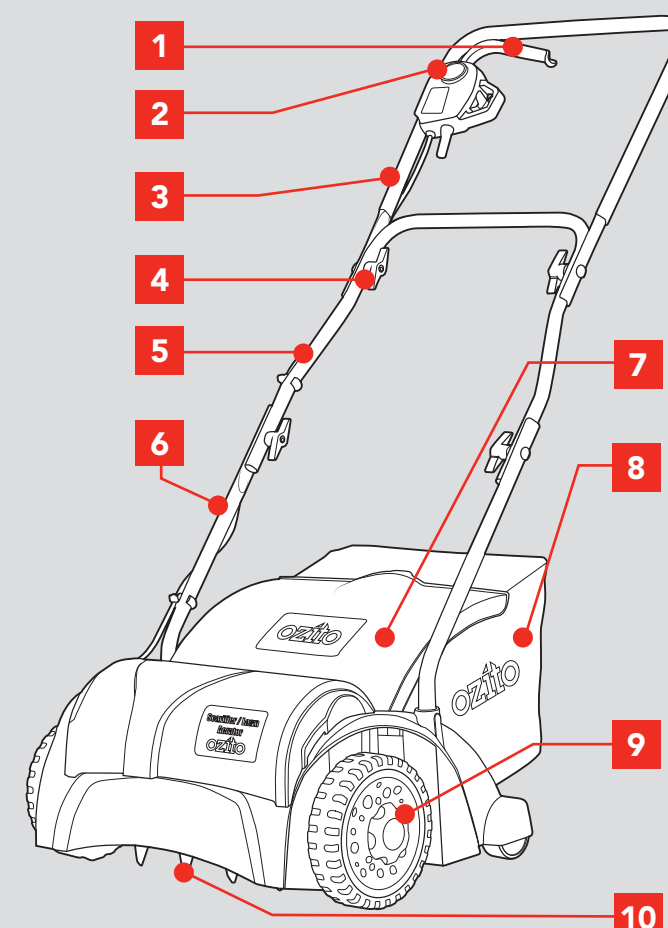
**CUSTOMER SERVICE HELPLINE**  
GB: 0151 294 4488  
IRL: 1850 882711  
Ozito-diy.co.uk



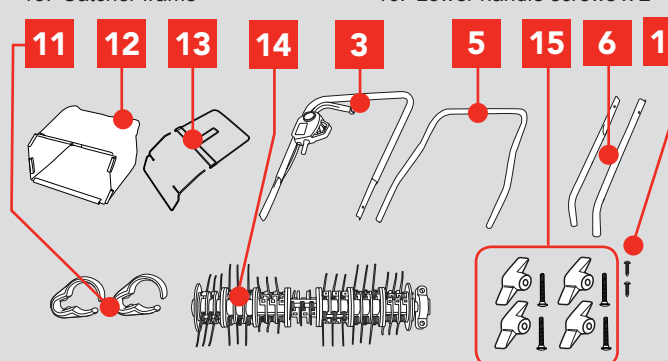
# KNOW YOUR PRODUCT

## SCARIFIER / LAWN AERATOR

- |                     |                               |
|---------------------|-------------------------------|
| 1. Start/stop lever | 6. Lower handle               |
| 2. Safety switch    | 7. Catcher flap               |
| 3. Upper handle     | 8. Catcher                    |
| 4. Securing knob    | 9. Scarifier depth adjustment |
| 5. Mid handle       | 10. Scarifier roller          |



- |                   |                             |
|-------------------|-----------------------------|
| 11. Cable clips   | 14. Aerator roller          |
| 12. Catcher       | 15. Handle securing set x 4 |
| 13. Catcher frame | 16. Lower handle screws x 2 |



### ONLINE MANUAL

Scan this QR Code with your mobile device to take you to the online manual.



# SETUP & PREPARATION

## 1. BEFORE USE

### Items Supplied

Please check that the article is complete as specified in the scope of delivery. If parts are missing, please contact our service centre or the sales outlet where you made your purchase at the latest within 5 working days after purchasing the product and upon presentation of a valid bill of purchase. Also, refer to the warranty table in the service information at the end of the operating instructions.

- Open the packaging and take out the equipment with care.
- Remove the packaging material and any packaging and/or transportation braces (if available).
- Check to see if all items are supplied.
- Inspect the equipment and accessories for transport damage.
- If possible, please keep the packaging until the end of the guarantee period.

### Danger!

The equipment and packaging material are not toys. Do not let children play with plastic bags, foils or small parts. There is a danger of swallowing or suffocating!

### Proper Use

The equipment can be used both as a scarifier and an aerator depending on the intended use. Only a few movements are required to change the roller.

The scarifying roller is designed for ripping moss and weeds - complete with their roots - out of the soil and for loosening the soil. As a result your lawn can absorb nutrients better and is cleaned.

The aerating roller scratches the surface of the lawn, helping water to drain off more easily as well as promoting oxygen intake. Aerate your lawn throughout the growing period.

The equipment is intended for private use i.e. for use in home and gardening environments.

Scarifiers for private use are machines whose annual operating time generally does not exceed 10 hours, during which the machine is primarily used to maintain small-scale, residential lawns and home/hobby gardens. Public facilities, sporting halls, and agricultural/forestry applications are excluded.

The operating instructions as supplied by the manufacturer must be kept and referred to in order to ensure that the equipment is properly used and maintained. The instructions contain valuable information on operating, maintenance and servicing conditions.

**Warning!** Due to the high risk of bodily injury to the user, the equipment may not be used to grind up branch or hedge clippings. Moreover, the equipment may not be used as a power cultivator to level out high areas such as mole hills.

For safety reasons, the scarifier may not be used as a drive unit for other equipment or toolkits of any kind, unless specifically advised to do so by the manufacturer.

The equipment is to be used only for its prescribed purpose. Any other use is deemed to be a case of misuse. The user / operator and not the manufacturer will be liable for any damage or injuries of any kind caused as a result of this.

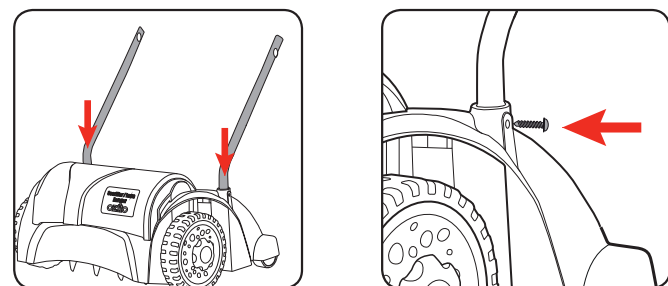
Please note that our equipment has not been designed for use in commercial, trade or industrial applications. Our warranty will be voided if the machine is used in commercial, trade or industrial businesses or for equivalent purposes.

## 2. ASSEMBLY

**WARNING!** ENSURE THE TOOL IS DISCONNECTED FROM THE POWER SUPPLY BEFORE ASSEMBLY.

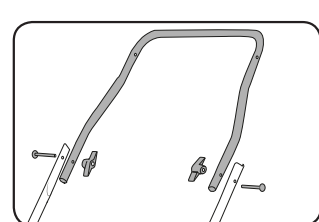
### Fitting the Lower Handles to Motor Body

1. Inset the lower handle onto the housing.
2. Secure in place with a lower handle screw.

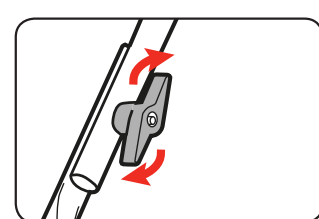


### Fitting the Middle Handle to the Lower Handles

1. Place the middle handle inside the upper ends of the lower handles. From the handle securing set, fit the bolts through the outer side of the lower handle and then through the hole in the middle handle.

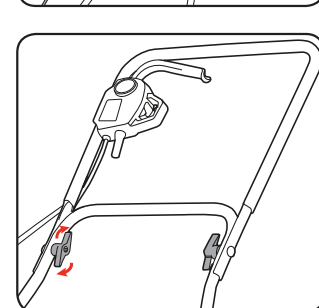
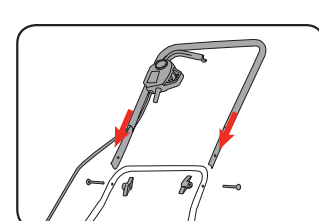


2. Secure in place by screwing the handle securing knobs over the protruding ends of the bolts.



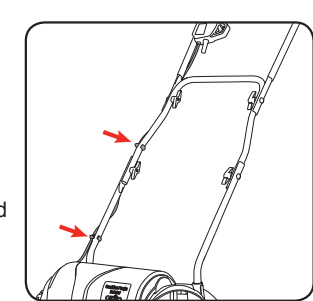
### Fitting the Upper Handle to the Middle Handle

1. Place the upper handle over each side of the middle handle. From the handle securing set, fit the bolts through the outer side of the upper handle and then through the hole in the middle handle.
2. Secure in place by screwing the handle securing knobs over the protruding ends of the bolts.



### Securing the Power Cord to the Handles

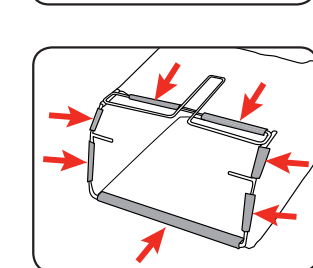
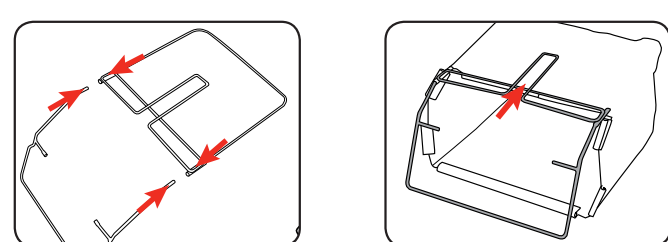
1. Secure the power cord from the switch housing to the scarifier aerator using the two cable clips (supplied).



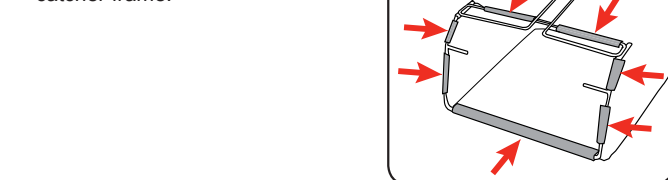
**Note:** Ensure that the power cord does not interfere with the catcher flap and it can be opened and closed easily.

### Assembling the Grass Catcher

1. Push both frame parts into each other.
2. Pull the catcher over the catcher frame.

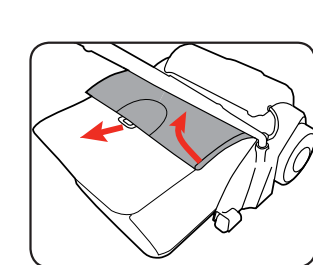
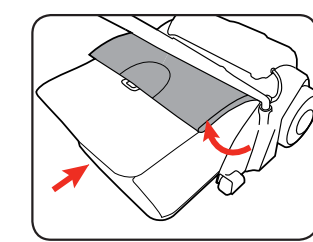


3. Pull the rubber clips over the catcher frame.



### Fitting and Removing Grass Catcher

1. Lift up the catcher flap with one hand and hook it onto the housing from above.
2. Lower the catcher flap. The catcher flap is held against the catcher by a spring.
3. To empty the catcher, lift the catcher flap with one hand, while unhooking the catcher with the other.



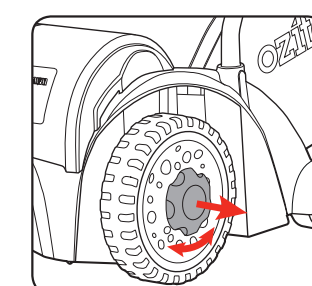
## 3. ADJUSTMENTS

### Adjusting the Scarifier Depth

The scarifier depth is adjusted at both front wheels via the depth adjustment knob.

**WARNING!** DISCONNECT THE SCARIFIER AERATOR FROM THE POWER SUPPLY AND ENSURE THE BLADE HAS STOPPED COASTING BEFORE ADJUSTING THE DEPTH.

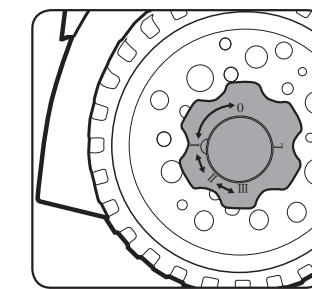
1. Pull out the adjusting knob and turn to the left or right into one of the available positions.
2. Release the knob, check that it is securely seated in the required depth.



**Note:** The scarifier depth must always be identically set on both sides.

### Cutting Depth Positions

- 0 - Transport position.
- I - Scarifier depth 3mm.
- II - Scarifier depth 7mm.
- III - Scarifier depth 9mm.



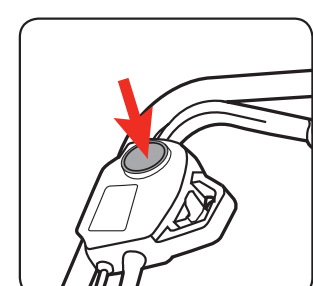
# OPERATION

## 4. SWITCHING ON/OFF

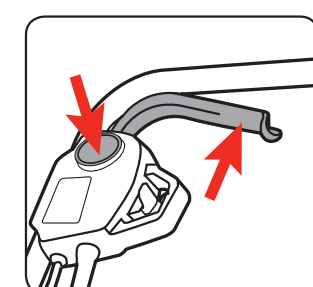
**CAUTION!** TO REDUCE THE RISK OF ELECTRICAL SHOCK, WE RECOMMEND THE USE OF A RESIDUAL CURRENT DEVICE (RATED 30mA OR LESS).

To prevent accidental start up of the motor the scarifier aerator is fitted with a dual action switch

1. Press and hold the lock-off button.



2. Pull the Start/stop lever towards the handle and hold in position, the motor will now start.



3. Release the lock-off button

4. Release the Start/stop lever to stop the motor.

**WARNING!** THE ROLLER WILL STOP A FEW SECONDS AFTER THE SWITCH HAS BEEN RELEASED. BE AWARE OF THE NECESSARY TIME IT TAKES FOR THE ROLLER TO STOP. DO NOT ATTEMPT TO STOP THE ROLLER.

### Overload Protection

To protect the motor it is equipped with a thermal overload switch which cuts out when overloaded and starts again automatically after a short cooling-down period.

## 5. OPERATION TIPS

- Always ensure that a safe distance (provided by the long handles) is maintained between the user and the housing.

- Be especially careful when scarifying and changing direction on slopes and inclines.

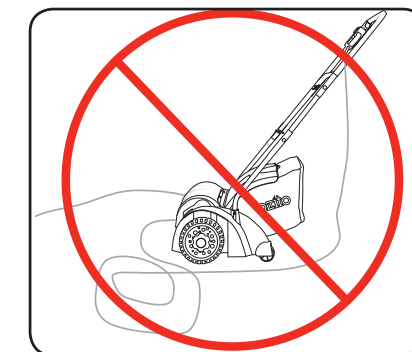
- Maintain a solid footing and wear sturdy, non-slip footwear and long trousers.

- Always scarify along the incline (not up and down).

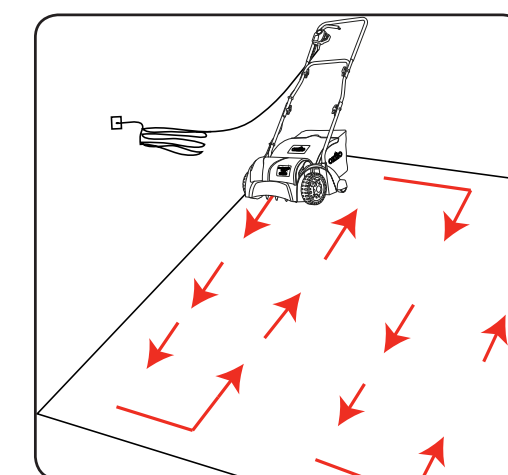
- For safety reasons, the scarifier may not be used to scarify inclines whose gradient exceeds 15 degrees.

- Use special caution when backing up and pulling the scarifier aerator (tripping hazard).

**WARNING!** KEEP POWER CORD AWAY FROM ROLLER.

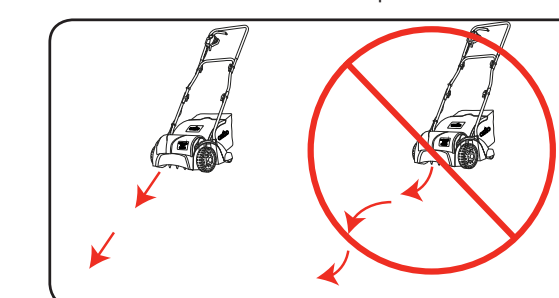


- Lay the power cable on the ground in loops in front of the power outlet. Scarify away from the power outlet and cable, making sure that the power cable always trails in the already scarified grass so that the equipment does not travel over the cable.



- It is recommended that you overlap scarifying paths a little.

- Try to scarify in straight lines for a nice, clean look. In so doing, the aeration swaths should always overlap each other by a few centimetres in order to avoid bare strips.



- How frequently you should scarify your lawn is determined primarily by the speed at which the grass grows and the hardness of the soil.

- Keep the underside of the equipment clean and remove soil and grass build-up. Deposits make it more difficult to start the aerator and decrease the quality of the scarifying.