

# SDS-PLUS-HAMMER DRILL



P-BMH 1100

**PARKSIDE**

GB

## SDS-PLUS-HAMMER DRILL

Operation and Safety Notes

CZ

## VRTACÍ A PNEUMATICKÉ KLADIVO

Pokyny pro obsluhu a bezpečnostní pokyny

HR

## UDARNA BUŠILICA

Upute za posluživanje i za Vašu sigurnost

PL

## MŁOTOWIERTARKA PNEUMATYCZNA

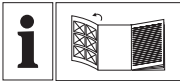
Wskazówki dotyczące obsługi i bezpieczeństwa

SK

## VŔTACIE A SEKACIE KLADIVO

Pokyny pre obsluhu a bezpečnostné pokyny

4 



Ⓒ

Before reading, unfold the page containing the illustrations and familiarise yourself with all functions of the device.

Ⓒ

Przed przeczytaniem proszę rozłożyć stronę z ilustracjami, a następnie proszę zapoznać się z wszystkimi funkcjami urządzenia.

Ⓒ

Před čtením si otevřete stranu s obrázky a potom se seznámte se všemi funkcemi přístroje.

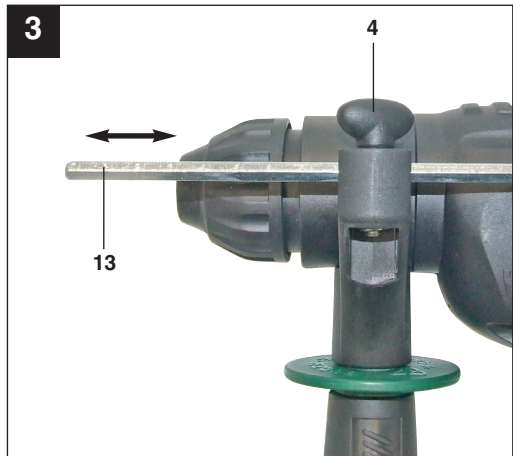
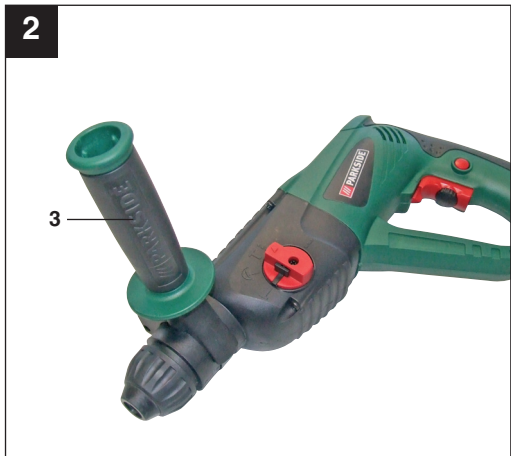
Ⓒ

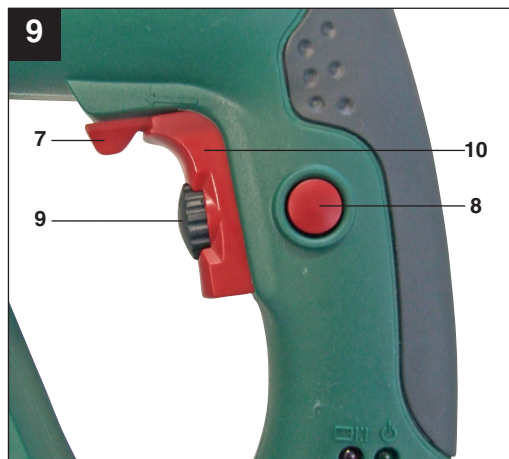
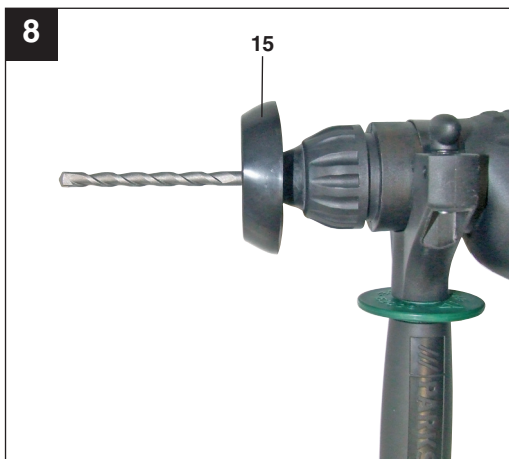
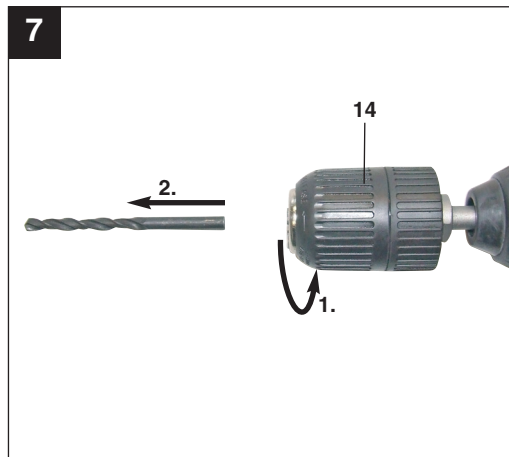
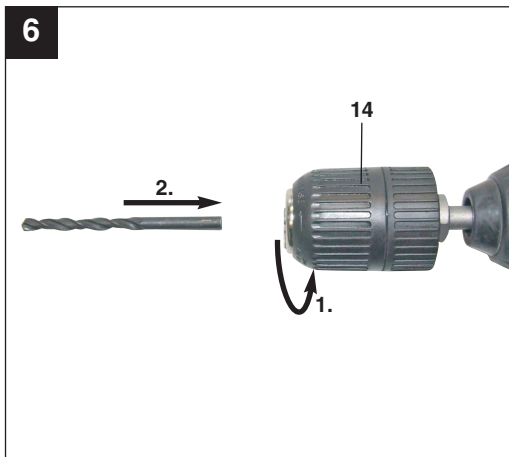
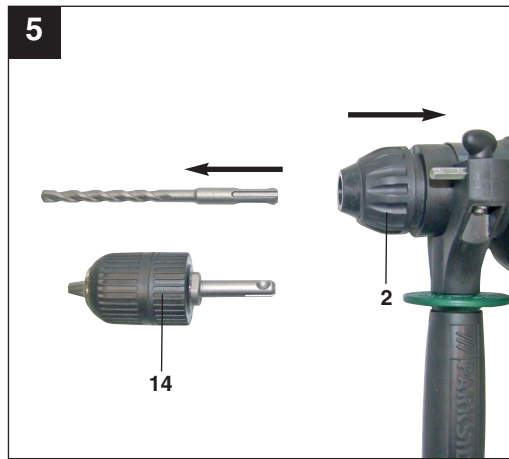
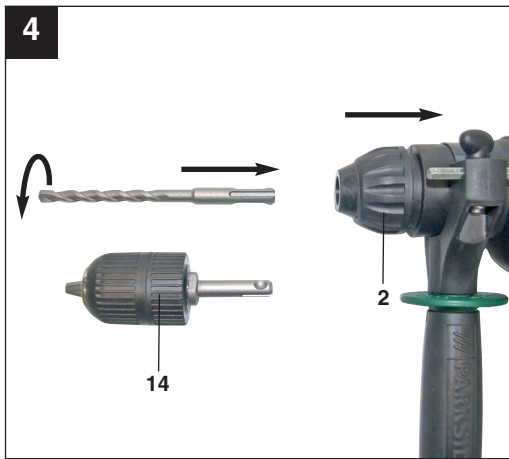
Před čítáním si odklopte stranu s obrázkami a potom sa oboznámte so všetkými funkciami prístroja.

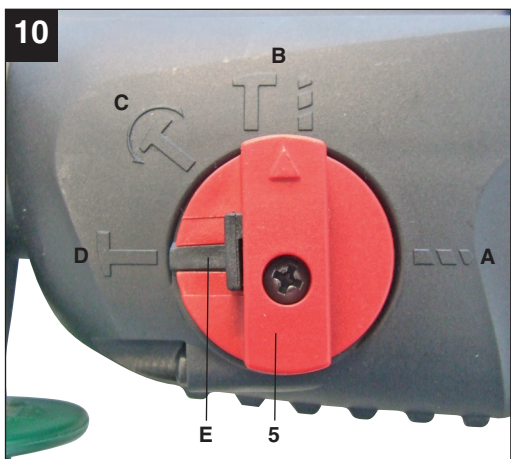
Ⓒ

Prije nego što pročitate tekst, otvorite stranicu sa slikama i upoznać se na osnovu toga sa svim funkcijama uređaja.

GB	Operation and Safety Notes	Page	6
PL	Wskazówki dotyczące obsługi i bezpieczeństwa	Strona	18
CZ	Pokyny pro obsluhu a bezpečnosti pokyny	Strana	31
SK	Pokyny pre obsluhu a bezpečnostné pokyny	Strana	43
HR	Upute za posluživanje i za Vašu sigurnost	Stranica	55







**GB**

**Table of contents:**

**Page**

1. Introduction .....	8
2. Safety regulations .....	8-10
3. Layout .....	10
4. Items supplied.....	11
5. Proper use .....	11
6. Technical data .....	11-12
7. Before starting the equipment.....	12-13
8. Starting up.....	13-14
9. Replacing the power cable .....	14
10. Cleaning, maintenance and ordering of spare parts .....	14
11. Disposal and recycling .....	15
12. Declaration of conformity .....	16
13. Guarantee Certificate .....	17

The reprinting or reproduction by any other means, in whole or in part, of documentation and papers accompanying products is permitted only with the express consent of ISC GmbH.

Technical changes subject to change

## Additional safety instructions



“Caution - Read the operating instructions to reduce the risk of injury”



**Wear ear-muffs.**

The impact of noise can cause damage to hearing.



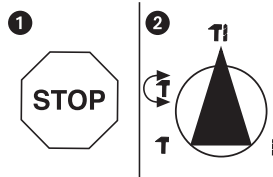
**Wear a breathing mask.**

Dust which is injurious to health can be generated when working on wood and other materials. Never use the device to work on any materials containing asbestos!



**Wear safety goggles.**

Sparks generated during working or splinters, chips and dust emitted by the device can cause loss of sight.



Select between the individual functions only when the equipment is at a standstill. If you fail to observe this point, the equipment may be damaged.

**GB**

## 1. Introduction

### ⚠ Important!

When using equipment, a few safety precautions must be observed to avoid injuries and damage. Please read the complete operating manual with due care. Keep this manual in a safe place, so that the information is available at all times. If you give the equipment to any other person, give them these operating instructions as well. We accept no liability for damage or accidents which arise due to non-observance of these instructions and the safety information.

## 2. Safety regulations

### ⚠ CAUTION!

#### **Read all safety regulations and instructions.**

Any errors made in following the safety regulations and instructions may result in an electric shock, fire and/or serious injury.

#### **Keep all safety regulations and instructions in a safe place for future use.**

The term "electric tool" used in the safety regulations refers to electric tools operated from the mains power supply (with a power cable) and to battery operated electric tools (without a power cable).

### 1. Workplace safety

- **Keep your work area clean and well illuminated.** Untidy or unlit work areas can result in accidents.
- **Do not use this tool in a potentially explosive environment containing combustible liquids, gases or dust.** Electric tools generate sparks, which can in turn ignite dust or vapors.
- **Keep children and other persons away from the electric tool while it is being used.** Allowing yourself to get distracted can cause you to lose control of the tool.

## 2. ELECTRICAL SAFETY

- **The tool's connector plug must be able to fit into the socket outlet. Do not modify the plug in any way! Do not use adapter plugs in conjunction with electrically grounded tools.** Unmodified plugs and matching socket outlets reduce the risk of an electric shock.
- **Avoid touching grounded surfaces, such as those of pipes/tubes, heaters, cookers and refrigerators.** There is an increased risk of getting an electric shock if you are electrically grounded.
- **Keep the tool away from rain and moisture/wet conditions.** Penetration of water into an electric tool increases the risk of an electric shock.
- **Do not use the cable to carry the tool, hang it up or pull the plug out of the socket. Keep the cable away from sources of heat, oil, sharp edges and moving tool parts.** Damaged or tangled cable increases the risk of an electric shock.
- **If you intend to use an electric tool outdoors, ensure that you only use extension cable that is approved for outdoor applications.** Using extension cable that is approved for outdoor applications reduces the risk of an electric shock.
- **If operation of the electric tool in a damp environment can not be avoided, use a earth-leakage circuit-breaker.** The earth-leakage circuit-breaker reduces the risk of an electric shock.

## 3. PERSONAL SAFETY

- **Be alert, work conscientiously and exercise appropriate caution when using the electric tool. Do not use the tool if you are tired or are under the influence of drugs/medication or alcohol.** One moment of carelessness or lack of attention when using the electric tool can cause serious bodily injury!
- **Always wear personal protective equipment (PPE), including safety**



**goggles.**

Wearing personal protective equipment such as a dust mask, non-slip footwear, protective headgear and ear muffs (depending upon the type of electric tool and the particular application) reduces the risk of sustaining injury.

- **Make sure that the tool cannot start up accidentally. Ensure that the electric tool is switched off before you connect the tool to the power supply and/or insert the battery, or pick up or carry the tool.**

Physically touching the switch with your finger when carrying the tool or connecting the tool to the power supply switched on can lead to accidents.

- **Remove adjusting tools/wrench(es) prior to switching on the power tool.**  
A tool or wrench that is positioned inside a rotating power tool part can cause injury.
- **Avoid abnormal working postures. Make sure you stand squarely and keep your balance at all times.**

This way, you will be able to have better control over the tool in unexpected situations.

- **Wear suitable clothes. Never wear loose fitting clothes or jewelry. Keep hair, clothes and gloves away from moving parts.**  
Loose clothing, dangling jewelry and long hair can be caught by moving parts.
- **If dust extraction and dust collection devices can be mounted, ensure that these are connected and are properly used.**

The use of a dust extraction system can reduce the danger posed by dust.

**4. Using the treatment of electric tools**

- **Do not overload your tool. Only use suitable electric tools to perform your work.**  
Using the right electric tool allows you to work better and safer within the tool's quoted capacity range.
- **Do not use an electric tool whose switch is defective.**

An electric tool that no longer can be

switched on or off is dangerous and must be repaired.

- **Pull the plug out of the socket and/or remove the battery before making any adjustments to the tool, changing accessories or put the tool down.**  
This precaution eliminates the possibility of inadvertently starting the tool.
- **When not in use, store electric tools out of the reach of children. Do not allow those persons to use this tool who are unfamiliar with it or who have not read these instructions.**

Electric tools are dangerous when they are used by inexperienced persons.

- **Take good care of your tool. Check that moving parts properly function and do not jam, that parts are not broken off or damaged in any way and that the tool can be used to its full capacity. Have damaged parts repaired prior to using the tool.**

The cause of many accidents can be traced back to poorly maintained electric tools.

- **Keep your blades sharp and clean.**  
Properly maintained blades with sharp edges jam less frequently and are easier to use.
- **Make sure to use electric tools, accessories, attachments, etc. in accordance with these instructions. Take the conditions in your work area and the job in hand into account.**  
Using electric tools for applications other than those intended can lead to dangerous situations.

**5. SERVICE**

- **Have your tool repaired only by authorized specialists using original replacement parts.**  
This will ensure that your tool remains safe to use.

**Safety information for hammers**

- **Wear ear protection.** The impact of noise can cause damage to hearing.
- **Use the additional handles supplied with the tool.** Losing control of the tool can cause injuries.

**GB****Additional Safety rules for SDS-Plus-Hammer Drill**

- Check that your mains voltage is the same as that marked on the rating plate.
- If you use a cable reel, run all the cable off the reel. The minimum conductor cross section used should be 1.5 mm<sup>2</sup>.
- If you use this electric hammer drill outdoors you must connect it using a suitable H07RN-F 3G 1.5 mm<sup>2</sup> extension cable with a spray-water protected plug.
- Make sure of your footing, particularly when working free-handed on ladders or scaffolding.
- Use a detector to localize pipes and/or cables in walls with concealed electric, water or gas lines. Avoid any contact with conducting electrical parts or lines.
- Wear ear-muffs to protect your hearing: Risk of progressive loss of hearing!
- Wear goggles and use a breathing mask on dusty jobs.
- Never use the machine near vapors or combustible liquids.
- Always unplug the machine before cleaning it or changing drill bits etc.
- Keep the power cable safe from damage. Oil and acids can damage cables.
- Never overload the machine.
- Important!  
Follow all safety regulations in your country applicable to the installation, use and maintenance of the machine.
- Chisel bits and drill bits can be inadvertently thrown out from the machine and cause serious injury:
  - Always check that the chisel bit or drill bit is firmly locked in the chuck before you start work.
  - Check the chuck for wear or damage at regular intervals.
- Do not start a hammering tool until it is pressed against a workpiece (wall, ceiling, etc.).
- Always unplug the hammer drill when you have finished working and remove the chisel bit or drill bit from the tool.
- Always unplug the machine before changing chisel bits or drill bits etc.
- Protect eyes and assistants from small flying parts and splinters. Wear a helmet! Erect a screen wall!
- Work gloves protect you against skin abrasions.
- Vibrations can be harmful to the hand-arm system: Keep the impact time of vibrations to a minimum.
- Always keep the power cable away from where you want to drill.
- Keep the machine out of children's reach.
- Always hold the machine with two hands when it is running and make sure of your footing.
- Make sure that the switch on the machine is set to the correct position for the work you want to perform before you put the machine into operation. If the switch is not in the correct position you risk suffering bodily injury when the machine starts to run.

**Save this instructions.****3. Layout (Fig. 1)**

1. Dust guard
2. Locking sleeve
3. Additional handle
4. Locking screw for depth stop
5. Selector switch for drill/hammer drill/chisel
6. Handle
7. Clockwise/counter-clockwise switch
8. Locking button
9. Speed controller
10. ON/OFF switch
11. Operating status indicator
12. Indicator for carbon brush wear
13. Depth stop
14. Additional quick-change drill chuck
15. Dust absorption device

## 4. Items supplied

Take all the parts out of the packaging.  
Check that nothing is missing.

- P-BMH 1100 SDS-Plus-Hammer Drill
- Additional handle
- Depth stop
- Drill bits for stone (6, 8, 10 mm)
- Pointed chisel / flat chisel
- Additional quick-change drill chuck
- Operating instructions
- Dust absorption device


## 5. Proper use

The tool is designed for drilling with hammer action in concrete, rock and brick, as well as for chiseling work, always using the respective correct drill or chisel bit.

The equipment is to be used only for its prescribed purpose. Any other use is deemed to be a case of misuse. The user / operator and not the manufacturer will be liable for any damage or injuries of any kind caused as a result of this.

Please note that our equipment has not been designed for use in commercial, trade or industrial applications. Our warranty will be voided if the machine is used in commercial, trade or industrial businesses or for equivalent purposes.

## 6. Technical data

Mains voltage:	230-240 V ~ 50 Hz
Power input:	1050 W
Idling speed:	0-1100 rpm
Blow rate:	0-5100 rpm
Drilling capacity in concrete/stone (max.):	26 mm
Protection class:	II / 
Weight:	3.6 kg

## Sound and vibration

Sound and vibration values were measured in accordance with EN 60745.

$L_{pA}$ sound pressure level	91.8 dB(A)
$K_{pA}$ uncertainty	3 dB
$L_{WA}$ sound power level	102.8 dB(A)
$K_{WA}$ uncertainty	3 dB

The hammer drill is not designed for outdoors use as specified I Article 3 of Directive 2000/14/EC\_2005/88/EC.

### Wear ear-muffs.

The impact of noise can cause damage to hearing.

Total vibration values (vector sum of three directions) determined in accordance with EN 60745.

### Hammer drilling in concrete

Vibration emission value  $a_h = 15.81 \text{ m/s}^2$   
K uncertainty =  $1.5 \text{ m/s}^2$

### Chiseling

Vibration emission value  $a_h = 15.668 \text{ m/s}^2$   
K uncertainty =  $1.5 \text{ m/s}^2$

### Important!

The vibration value changes according to the area of application of the electric tool and may

**GB**

exceed the specified value in exceptional circumstances.

### Keep the noise emissions and vibrations to a minimum.

- Only use appliances which are in perfect working order.
- Service and clean the appliance regularly.
- Adapt your working style to suit the appliance.
- Do not overload the appliance.
- Have the appliance serviced whenever necessary.
- Switch the appliance off when it is not in use.
- Wear protective gloves.

## 7. Before starting the equipment

### ⚠ Important!

Before you connect the equipment to the mains supply make sure that the data on the rating plate are identical to the mains data.

Always pull the power plug before making adjustments to the equipment.

Check the drilling point for concealed electrical cables, gas and water pipes using a cable/pipe detector.

### 7.1 Additional handle (Fig. 2 – Item 3)

#### For safety reasons you must only use the hammer drill with the additional handle.

The additional handle (3) enables you to achieve better stability whilst using the equipment. Do not use the equipment without the additional handle (3). The additional handle (3) is secured to the equipment by a clamp. Turning the additional handle (3) clockwise tightens this clamp. Turning it anti-clockwise will release the clamp.

- The supplied additional handle (3) must first be fitted. To do this, turn the additional handle (3) until the clamp is opened wide enough for you to slide the additional handle onto the equipment.
- After you have mounted the additional

handle (3), swivel it to the most comfortable working position for yourself.

- Now turn the additional handle (3) in the opposite direction again until the additional handle (3) is secure.
- The additional handle (3) is suitable for both left-handed and right-handed users.

### 7.2 Depth stop (Fig. 3 – Item 13)

The depth stop (13) is held in place by clamping with the locking screw (4) on the additional handle (3).

- Release the locking screw (4) and insert the depth stop (13).
- Set the depth stop (13) to the same level as the drill bit.
- Pull the depth stop (13) back by the required drilling depth.
- Tighten the locking screw (4) again.
- Now drill the hole until the depth stop (13) touches the workpiece.

### 7.3. Tool insertion (Fig. 4)

- Clean the tool before insertion and apply a thin coating of drill bit grease to the shaft of the tool.
- Pull back and hold the locking sleeve (2).
- Turn and push the dust-free tool into the tool mounting as far as it will go. The tool will lock automatically, after the locking sleeve is released.
- Check that it is properly secure by pulling the tool.

### 7.4. Tool removal (Fig. 5)

Pull back and hold the locking sleeve (2) and remove the tool.

### 7.5 Dust collection device (Fig. 8)

Slide the dust collection device (15) over the drill bit before carrying out any hammer drilling vertically above your head.

## 7.6 Fitting the quick-change drill chuck (Fig. 4)

- Clean the quick-change drill chuck (14) before fitting it and apply a thin coating of drill bit grease to the quick-change drill chuck shaft.
- Pull back and hold the locking sleeve (2).
- Turn and push the dust-free quick-change drill chuck (14) into the tool mounting as far as it will go. The quick-change drill chuck (14) will lock automatically after the locking sleeve is released.
- Check that it is secure by pulling the quick-change drill chuck (14).

## 7.7 Removing the additional quick-change drill chuck (Fig. 5)

Pull back and hold the locking sleeve (2) and remove the quick-change drill chuck.

## 7.8 Inserting the bit into the quick-change drill chuck (Figure 6-7)

### ⚠ Important.

- Always pull the power plug before making adjustments to the equipment.
- Release the depth stop (13) as described in 7.2 and push it towards the drill handle. This provides free access to the chuck (14).
- Open the chuck (14). The drill bit opening must be large enough to hold the drill bit.
- Select a suitable drill bit. Push the tool as far as possible into the chuck opening.
- Close the chuck (14). Check that the drill bit is secure in the chuck (14).
- Check at regular intervals that the drill bit or tool is secure (pull the mains plug).

## 8. Starting up

### ⚠ Important!

**To prevent all danger, the machine must only be held using the two handles (3/6).** Otherwise there may be a risk of suffering an electric shock if you drill into cables.

### 8.1 Status indicator (Fig. 1/Item 11)

The status indicator (11) lights up when the power plug is connected.

### 8.2 ON/OFF switch (Fig. 9/Item 10)

- First fit a suitable drill bit into the tool (see 7.3).
- Connect the mains plug to a suitable socket.
- Position the drill in the position you wish to drill.

### To switch on:

Press the ON/OFF switch (10)

### To switch off:

Release the ON/OFF switch (10)

### Switching on continuous operation:

Secure the ON/OFF switch (10) with the locking button (8). Important. It may only be locked if the drill is set to rotate clockwise.

### Switching off continuous operation:

Press the ON/OFF switch (10) briefly.

### 8.3 Adjusting the speed (Fig. 9/Item 10)

- You can infinitely vary the speed whilst using the tool.
- Select the speed by applying a greater or lesser pressure to the ON/OFF switch (10).
- Select the correct speed: The most suitable speed depends on the workpiece, the type of use and the drill bit used.
- Low pressure on the ON/OFF switch (10): Lower speed
- Greater pressure on the ON/OFF switch (10): Higher speed

**Tip:** Start drilling holes at low speed. Then increase the speed in stages.

**GB****Benefits:**

- The drill bit is easier to control when starting the hole and will not slide away.
- You avoid drilling messy holes (for example in tiles).

**8.4 Preselecting the speed (Fig. 9/Item 9)**

- Do not attempt to make this setting whilst the drill is in use.
- The speed setting ring (9) enables you to define the maximum speed. The ON/OFF switch (10) can only be pressed to the defined maximum speed setting.
- Set the speed using the setting ring (9) on the ON/OFF switch (10).

**8.5 Clockwise/Counter-clockwise switch (Fig. 9/Item 7)**

- **Change switch position only when the drill is at a standstill!**
- Switch the direction of the hammer drill using the clockwise/counter-clockwise switch (7):

<b>Direction</b>	<b>Switch position</b>
Clockwise (forwards and drill)	Push in to the left
Counter-clockwise (reverse)	Push in to the right

**8.6 Drill / Hammer drill / Chisel selector switch (Fig. 10)**

- For drilling, press the button (E) on the selector switch (5) and simultaneously turn the selector switch (5) to position A.
- For hammer drilling, press the button (E) on the selector switch (5) and simultaneously turn the selector switch (5) to position B.
- For chiseling, press the button (E) on the selector switch (5) and simultaneously turn the selector switch (5) to position C. In switch position C the chisel is not locked.
- For chiseling, press the button (E) on the selector switch (5) and simultaneously turn the selector switch (5) to position D. The chisel is locked in position D.

**Important.**

You only require slight contact pressure for hammer drilling. Excessive contact pressure will place an unnecessary strain on the motor. Check bits! at regular intervals. Sharpen or replace blunt bits.

**9. Replacing the power cable**

If the power cable for this equipment is damaged, it must be replaced by the manufacturer or its after-sales service or similarly trained personnel to avoid danger.

**10. Cleaning, maintenance and ordering of spare parts****⚠ Important.**

Always pull out the mains power plug before starting any cleaning work.

**10.1 Cleaning**

- Keep all safety devices, air vents and the motor housing free of dirt and dust as far as possible. Wipe the equipment with a clean cloth or blow it with compressed air at low pressure.
- We recommend that you clean the device immediately each time you have finished using it.
- Clean the equipment regularly with a moist cloth and some soft soap. Do not use cleaning agents or solvents; these could attack the plastic parts of the equipment. Ensure that no water can seep into the device.

**10.2 Carbon brushes**

In case of excessive sparking or if the status indicator for carbon brush wear (12) lights up, have the carbon brushes checked by a qualified electrician.

**10.3 Maintenance**

There are no parts inside the equipment which require additional maintenance.

**10.4 Ordering replacement parts:**

Please quote the following data when ordering replacement parts:

- Type of machine
- Article number of the machine
- Identification number of the machine

For our latest prices and information please go to [www.isc-gmbh.info](http://www.isc-gmbh.info)

**11. Disposal and recycling**

The unit is supplied in packaging to prevent its being damaged in transit. This packaging is raw material and can therefore be reused or can be returned to the raw material system. The unit and its accessories are made of various types of material, such as metal and plastic. Defective components must be disposed of as special waste. Ask your dealer or your local council.



For EU countries only

Never place any electric tools in your household refuse.

To comply with European Directive 2002/96/EC concerning old electric and electronic equipment and its implementation in national laws, old electric tools have to be separated from other waste and disposed of in an environment-friendly fashion, e.g. by taking to a recycling depot.

Recycling alternative to the demand to return electrical devices:

As an alternative to returning the electrical device, the owner is obliged to cooperate in ensuring that the device is properly recycled if ownership is relinquished. This can also be done by handing over the used device to a returns center, which will dispose of it in accordance with national commercial and industrial waste management legislation. This does not apply to the accessories and auxiliary equipment without any electrical components which are included with the used device.

GB

## 12. Declaration of conformity

Einhell Germany AG · Wiesenweg 22 · D-94405 Landau/Isar

**Konformitätserklärung**

- erklart folgende Konformitat gema EU-Richtlinie und Normen fur Artikel  
 explains the following conformity according to EU directives and norms for the following product  
 dclare la conformit suivante selon la directive CE et les normes concernant l'article  
 dichiara la seguente conformit secondo la direttiva UE e le norme per l'articolo  
 verklaart de volgende overeenstemming conform EU richtlijn en normen voor het product  
 declara la siguiente conformidad a tenor de la directiva y normas de la UE para el artculo  
 declara a seguinte conformidade, de acordo com a directiva CE e normas para o artigo  
 attesterer flgende verensstmmelse i medfr af EU-direktiv samt standarder for artikkel  
 frklarar fljande verensstmmelse enl. EU-direktiv och standarder fr artikeln  
 vakuuttaa, ett tuote tytta EU-direktiivin ja standardien vaatimukset  
 tendab toote vastavust EL direktiivile ja standarditele  
 vydav nsledujc prohlsen o shod podle smrnice EU a norem pro vrobek  
 potrjuje sledeo skladnost s smernico EU in standardi za izdelek  
 vydava nasledujce prehlsenie o zhode podl'a smernice E a noriem pre vrobok  
 a cikkekhez az EU-irnyvonal s Normk szerint a kvetkezto konformitst jelenti ki  
 deklaruje zgodnosc wymienionego ponizej artykuu z nastpujcymi normami na podstawie dyrektywy WE.  
 декларира съответното съответствие съгласно Директива на ЕС и норми за артикул  
 paskaidro adu atbilstbu ES direktīvai un standartiem  
 apibdina j atitikm EU reikalavimams ir preks normoms  
 declar urmtoarea conformitate conform directivei UE i normelor pentru articolul  
 dhlwnei την ακλουθη συμμρφωση σμφωνα με την Οδηγία ΕΚ και τα πρτυπα για το πρϊον  
 potrduje sljedeu uskladenost prema smjernicama EU i normama za artiki  
 potrduje sljedeu uskladenost prema smjernicama EU i normama za artiki  
 potrduje sledeu uskladenost prema smernicama E i normama za artikal  
 следующим удостоверяется, что следующие продукты соответствуют директивам и нормам ЕС  
 проголошує про зазначену нижче вдповднсть виробу директивам та стандартам ЄС на вирб  
 ja izjavuva slednata soobrznost согласно E-dирективата и нормите за артикли  
 rn ile ilgili AB direktifleri ve normlari gereince aaıda aıklanan uygunluu belirtir  
 erklrer flgende samsvar i henhold til EU-direktivet og standarder for artikkel  
 Lysir uppfyllingu EU-reglna og annarra stala vru

**Bohrhammer P-BMH 1100 (Parkside)**

- |   |  |
|---|--|
| <input type="checkbox"/> 2009/105/EC            | <input checked="" type="checkbox"/> 2006/42/EC   |
| <input type="checkbox"/> 2006/95/EC             | <input type="checkbox"/> Annex IV<br>Notified Body:<br>Notified Body No.:<br>Reg. No.:   |
| <input type="checkbox"/> 2006/28/EC             | <input type="checkbox"/> 2000/14/EC_2005/88/EC   |
| <input type="checkbox"/> 2005/32/EC             | <input type="checkbox"/> Annex V   |
| <input checked="" type="checkbox"/> 2004/108/EC | <input type="checkbox"/> Annex VI<br>Noise: measured $L_{WA}$ = dB (A); guaranteed $L_{WA}$ = dB (A)<br>P = KW; L/Ø = cm<br>Notified Body: |
| <input type="checkbox"/> 2004/22/EC             | <input type="checkbox"/> 2004/26/EC<br>Emission No.:   |
| <input type="checkbox"/> 1999/5/EC              |  |
| <input type="checkbox"/> 97/23/EC               |  |
| <input type="checkbox"/> 90/396/EC              |  |
| <input type="checkbox"/> 89/686/EC_96/58/EC     |  |

Standard references: EN 60745-1; EN 60745-2-6;  
EN 55014-1; EN 55014-2; EN 61000-3-2; EN 61000-3-3

Landau/Isar, den 04.11.2009

  
Weichselgartner/General Manager


  
Unger/Product-Management

First CE: 08

Art.-No.: 42.583.76 I.-No.: 01019

Subject to change without notice

Archive-File/Record: 4258395-42-4155050-08

Documents registrar: Georg Riedel  
Wiesenweg 22, D-94405 Landau/Isar



# 13. GUARANTEE CERTIFICATE

## Dear Customer,

All of our products undergo strict quality checks to ensure that they reach you in perfect condition. In the unlikely event that your device develops a fault, please contact our service department at the address shown on this guarantee card. Of course, if you would prefer to call us then we are also happy to offer our assistance under the service number printed below. Please note the following terms under which guarantee claims can be made:

1. These guarantee terms cover additional guarantee rights and do not affect your statutory warranty rights. We do not charge you for this guarantee.
2. Our guarantee only covers problems caused by material or manufacturing defects, and it is restricted to the rectification of these defects or replacement of the device. Please note that our devices have not been designed for use in commercial, trade or industrial applications. Consequently, the guarantee is invalidated if the equipment is used in commercial, trade or industrial applications or for other equivalent activities. The following are also excluded from our guarantee: compensation for transport damage, damage caused by failure to comply with the installation/assembly instructions or damage caused by unprofessional installation, failure to comply with the operating instructions (e.g. connection to the wrong mains voltage or current type), misuse or inappropriate use (such as overloading of the device or use of non-approved tools or accessories), failure to comply with the maintenance and safety regulations, ingress of foreign bodies into the device (e.g. sand, stones or dust), effects of force or external influences (e.g. damage caused by the device being dropped) and normal wear resulting from proper operation of the device. This applies in particular to rechargeable batteries for which we nevertheless issue a guarantee period of 12 months.

The guarantee is rendered null and void if any attempt is made to tamper with the device.

3. The guarantee is valid for a period of 3 years starting from the purchase date of the device. Guarantee claims should be submitted before the end of the guarantee period within two weeks of the defect being noticed. No guarantee claims will be accepted after the end of the guarantee period. The original guarantee period remains applicable to the device even if repairs are carried out or parts are replaced. In such cases, the work performed or parts fitted will not result in an extension of the guarantee period, and no new guarantee will become active for the work performed or parts fitted. This also applies when an on-site service is used.
4. In order to assert your guarantee claim, please send your defective device postage-free to the address shown below. Please enclose either the original or a copy of your sales receipt or another dated proof of purchase. Please keep your sales receipt in a safe place, as it is your proof of purchase. It would help us if you could describe the nature of the problem in as much detail as possible. If the defect is covered by our guarantee then your device will either be repaired immediately and returned to you, or we will send you a new device.

Of course, we are also happy offer a chargeable repair service for any defects which are not covered by the scope of this guarantee or for units which are no longer covered. To take advantage of this service, please send the device to our service address.

**PL****Spis treści:****Strona:**

1. Przedmowa.....	20
2. Wskazówki bezpieczeństwa .....	20-23
3. Opis urządzenia .....	23
4. Zakres dostawy .....	23
5. Użycie zgodne z przeznaczeniem .....	23
6. Dane techniczne .....	23-24
7. Przed uruchomieniem.....	24-25
8. Uruchamianie .....	26-27
9. Wymiana przewodu zasilającego .....	27
10. Czyszczenie, konserwacja i zamawianie części zamiennych .....	27
11. Utylizacja odpadów i recykling .....	27-28
12. Deklaracja zgodności z normami .....	29
13. Świadectwo gwarancyjne .....	30

Przedruk lub innego rodzaju powielanie dokumentacji wyrobów oraz dokumentów towarzyszących, nawet we fragmentach dopuszczalne jest tylko za wyraźną zgodą firmy ISC GmbH.

Zastrzega się wprowadzanie zmian technicznych

## Dodatkowe wskazówki bezpieczeństwa



Ostrzeżenie – Aby zmniejszyć ryzyko zranienia, należy przeczytać instrukcję obsługi



### Nosić nauszники ochronne

Hałas powoduje postępującą utratę słuchu.



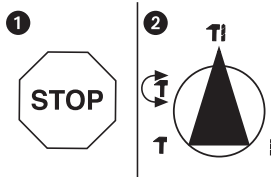
### Nosić maskę przeciwpyłową

Przy pracy w drewnie i innych materiałach może dochodzić do powstawania szkodliwego dla zdrowia pyłu. Nie obrabiać materiału zawierającego azbest!



### Nosić okulary ochronne

W czasie pracy może dochodzić do powstawania powodujących utratę wzroku iskier, opiłek, drzazg lub odprysków.



Aby uniknąć uszkodzenia urządzenia, przełączanie pomiędzy funkcjami powinno następować, gdy urządzenie się zatrzyma.

PL

## 1. Przedmowa

### ⚠ Uwaga!

Podczas użytkowania urządzenia należy przestrzegać wskazówek bezpieczeństwa w celu uniknięcia zranień i uszkodzeń. Z tego względu proszę dokładnie zapoznać się z instrukcją obsługi/ wskazówkami bezpieczeństwa. Proszę zachować instrukcję i wskazówki, aby można było w każdym momencie do nich wrócić. W razie przekazania urządzenia innej osobie, proszę wręczyć jej również instrukcję obsługi/ wskazówki bezpieczeństwa. Nie odpowiadamy za wypadki i uszkodzenia zaistniałe w wyniku nieprzestrzegania niniejszej instrukcji i wskazówek bezpieczeństwa.

## 2. Wskazówki bezpieczeństwa

### ⚠ OSTRZEŻENIE

#### **Przeczytać wszystkie wskazówki bezpieczeństwa i instrukcję.**

Nieprzestrzeganie instrukcji i wskazówek bezpieczeństwa może wywołać porażenia prądem, niebezpieczeństwo pożaru lub ciężkie zranienia.

#### **Proszę zachować na przyszłość wskazówki bezpieczeństwa i instrukcję.**

Poniżej zastosowane pojęcie „elektronarzędzi“ odnosi się do zasilanych sieciowo elektronarzędzi (z kablem sieciowym) i zasilanych akumulatorowo elektronarzędzi (bez kabla sieciowego).

### 1. Bezpieczeństwo miejsca pracy

- **Miejsce pracy utrzymywać w czystości.**  
Nieporządek i złe oświetlenie miejsca pracy mogą prowadzić do wypadków.
- **Nie należy pracować elektronarzędziem w zagrożonym eksplozją otoczeniu, w pobliżu łatwopalnych substancji, gazów i pyłów.**  
Elektronarzędzia wywołują iskry, które mogą zapalić kurz i opary.
- **W trakcie użytkowania elektronarzędzi**

### **dzieci i inne osoby trzymać z dala od obszaru pracy.**

Odwrócenie uwagi od wykonywanej pracy może spowodować utratę kontroli nad urządzeniem.

### 2. Bezpieczeństwo elektryczne

- **Wtyczka urządzenia musi pasować do kontaktu. Wtyczka nie może być w żaden sposób zmieniona. Nie stosować wtyczki adaptacyjnej razem z uziemionymi elektronarzędziami.**  
Nie zmienione wtyczki i pasujące gniazdko zmniejszają ryzyko porażenia prądem.
- **Unikać zetknięcia części ciała z uziemionymi powierzchniami, np. rurami, elementami grzejnymi, kuchenkami, lodówkami.**  
Kiedy Państwa ciało jest uziemione istnieje większe ryzyko porażenia prądem .
- **Chronić urządzenie przed deszczem i wilgocią.**  
Wniknięcie wody do urządzenia podwyższa ryzyko porażenia prądem.
- **Nie używać kabla niezgodnie z przeznaczeniem, w celu przeniesienia urządzenia lub wyjęcia wtyczki z gniazdko. Trzymać kabel z dala od gorąca, oleju, ostrych kątów albo ruchomych części urządzenia.**  
Uszkodzony lub przerwany kabel podnosi ryzyko porażenia prądem.
- **Praca z elektronarzędziem na zewnątrz, wymaga zastosowania przedłużacza, który dopuszczony jest do pracy na zewnątrz.**  
Zastosowanie przedłużacza przeznaczonego do pracy na zewnątrz, zmniejszy ryzyko porażenia prądem.
- **Jeżeli użycie elektronarzędzia w wilgotnym otoczeniu jest konieczne, należy użyć wyłącznika ochronnego prądowego.**  
Użycie wyłącznika ochronnego prądowego zmniejsza ryzyko porażenia prądem.

### 3. Bezpieczeństwo osób

- **Należy zachować ostrożność, uważać na to, co się robi i poruszać się z rozwagą przy pracy z urządzeniem. Nie używać urządzenia, gdy jest się zmęczonym lub pod wpływem narkotyków, alkoholu lub lekarstw.**  
Moment nieuwagi podczas używania elektronarzędzia może prowadzić do poważnych zranień.
- **Zawsze nosić okulary ochronne oraz wyposażenie ochronne.**  
Należy nosić odzież wyposażenie ochronne, takie jak maskę ochronną, obuwie antypoślizgowe, kask lub nauszniki w zależności od rodzaju i zastosowania elektronarzędzia, zmniejsza to ryzyko zranienia.
- **Unikać przypadkowego uruchomienia. Przed podłączeniem urządzenia do sieci i/ lub akumulatora, jego podniesieniu lub przeniesieniem upewnić się, że urządzenie jest wyłączone.**  
Jeśli podczas przenoszenia mają Państwo palce na włączniku lub urządzenie jest włączone do prądu, może dojść do wypadku.
- **Przed uruchomieniem urządzenia usunąć urządzenia nastawcze lub klucze do śrub.**  
Narzędzie lub klucz, który znajdzie się w obracających się częściach, może doprowadzić do zranienia.
- **Unikać nienaturalnych pozycji. Dbać o pewną postawę i utrzymywać równowagę podczas pracy.**  
Dzięki temu mogą Państwo lepiej kontrolować urządzenie w nieoczekiwanych sytuacjach.
- **Nosić odpowiednie ubranie. Nie nosić luźnej odzieży lub biżuterii. Utrzymywać włosy, ubranie i rękawice z dala od ruchomych części urządzenia.**  
Luźne ubrania, biżuteria lub długie włosy mogą zostać wciągnięte w poruszające się części.
- **Kiedy zamontowane są elementy pochłaniające i zbierające kurz, upewnienie się Państwo że są one podłączone i właściwie użytkowane.**

Użycie przyłącza do odsysania pyłu zmniejsza niebezpieczeństwo wywołane przez kurz.

### 4. Użytkowanie i przechowywanie elektronarzędzia

- **Nie przeciążać urządzenia. Do pracy używać odpowiednich do tego celu elektronarzędzi.**  
Z pasującym elektronarzędziem pracuje się lepiej i bezpieczniej przy podanej wydajności.
- **Nie używać urządzenia, który ma uszkodzony włącznik.**  
Urządzenie, którego nie można włączyć ani wyłączyć jest niebezpieczne i musi zostać naprawione.
- **Przed ustawieniem urządzenia, wymianą części osprzętu lub odtworzeniem urządzenia należy wyciągnąć wtyczkę z gniazdka i/ lub wyciągnąć akumulator.**  
Odpowiednie środki ostrożności zapobiegają nieoczekiwanemu włączeniu urządzenia.
- **Nieużywane urządzenia przechowywać poza zasięgiem dzieci. Osoby, które nie poznały urządzenia lub nie przeczytały tej instrukcji nie powinny używać urządzenia.**  
Elektronarzędzia są niebezpieczne, jeśli są używane przez niedoświadczonych osoby.
- **Starannie dbać o elektronarzędzia. Należy kontrolować, czy ruchome części funkcjonują bez zarzutu, nie zakleszczają się, czy nie są złamane lub uszkodzone, tak aby nie wpływało to na funkcjonowanie urządzenia. Przed użyciem narzędzia należy naprawić uszkodzone części.**  
Wiele wypadków spowodowanych jest niewłaściwą konserwacją urządzenia.
- **Urządzenie tnące przechowywać naostrzone i czyste.**  
Właściwie pielęgnowane urządzenia tnące z naostrzonym ostrzem rzadziej się zakleszczają i są łatwiejsze do prowadzenia.
- **Używać elektronarzędzia oraz jego osprzętu itp. zgodnie ze wskazówkami.**

**PL****Zwracać przy tym uwagę na warunki pracy i wykonywane czynności.**

Wykorzystanie elektronarzędzi do celów innych niż jest to przewidziane może prowadzić do niebezpiecznych sytuacji.

**5. Serwis**

- **Naprawy urządzenia dokonywać jedynie w autoryzowanym serwisie i tylko przy użyciu oryginalnych części.**

Dzięki temu zagwarantowane jest, że bezpieczeństwo urządzenia nie uległo zmianie.

**Wskazówki bezpieczeństwa dla młota**

- **Nosić naszniki ochronne.**  
Oddziaływanie hałasu może spowodować utratę słuchu.
- **Używać dołączonych w dostawie z urządzeniem uchwytów dodatkowych.**  
Utrata kontroli może prowadzić do zranień.

**Dodatkowe wskazówki dotyczące bezpieczeństwa**

- Sprawdzić napięcie na tabliczce znamionowej urządzenia (V).
- W razie używania bębna kablowego należy całkowicie rozwinąć przewód. Minimalny przekrój przewodu 1,5 mm<sup>2</sup>.
- W razie użytkowania elektrycznego młota udarowo-obrotowego na wolnym powietrzu do podłączenia należy użyć prawidłowego przedłużacza typu HO7RN-F 3G1,5 mm<sup>2</sup> z wtyczką i gniazdem brygoszczelnym.
- Dbać o pewną postawę ciała podczas wiercenia na drabinach lub rusztowaniach bez trzymania rękami.
- W ścianach, w których przewody elektryczne, gazowe i instalacji wodnej są ułożone w niewidoczny sposób, należy najpierw zlokalizować ich położenie przy pomocy wykrywacza przewodów. Unikać kontaktu z częściami i przewodami przewodzącymi prąd.
- Nosić słuchawki ochronne w celu ochrony uszu: postępująca utrata słuchu!
- Podczas prac wytwarzających pył należy nosić okulary ochronne i maskę przeciwpyłową.

- Nie użytkować urządzenia w obrębie wydzielenia się oparów lub palnych cieczy.
- Wyciągnąć wtyczkę przewodu zasilającego z gniazdka przed wszystkimi czynnościami związanymi z przeróbką lub czyszczeniem elektronarzędzia.
- Chronić przewód zasilający przed uszkodzeniami. Oleje i kwasy mogą uszkodzić przewód.
- Nie przeciążać urządzenia.
- **Ważne!**  
Należy przestrzegać wszystkich, obowiązujących w danym kraju przepisów BHP w sprawie instalacji, eksploatacji i konserwacji.
- Przecinak i wiertło mogą zostać przypadkowo wyrzucone z elektronarzędzia i spowodować ciężkie zranienia:
  - Przed rozpoczęciem pracy należy sprawdzić, czy przecinak lub wiertło są zablokowane w uchwycie narzędzia.
  - Sprawdzaj regularnie uchwyt narzędzia pod względem zużycia lub uszkodzeń.
- Młot z włączonym udarem wolno uruchomić tylko wtedy, gdy dociśnięty jest do powierzchni ni przedmiotu (ściana, sufit itd.).
- Po zakończeniu pracy młot udarowo-obrotowy odłączyć od zasilania sieciowego i wyjąć przecinak lub wiertło.
- Przed wymianą przecinaka lub wiertła zawsze należy odłączyć młot udarowo-obrotowy od zasilania sieciowego.
- Chronić oczy oraz współpracowników przed cząstkami pyłu i odpryskującymi ciałami obcymi. Nosić kask ochronny! Ustawić ścianki działowe!
- Rękawice robocze chronią skórę przed otarciami.
- Wibracje mogą być szkodliwe dla układu ręka-ramię: ograniczyć do możliwego minimum czas oddziaływania wibracji.
- Przewód zasilający prowadzić zawsze z tyłu za elektronarzędziem.
- Elektronarzędzie przechowywać w miejscu niedostępnym dla dzieci.
- Podczas pracy trzymać elektronarzędzie zawsze oburącz i dbać o pewną postawę

ciała.

- Przed uruchomieniem należy dopilnować, aby wyłącznik na urządzeniu ustawiony był w pozycji zgodnej z wykonywaną obróbką, w przeciwnym razie zachodzi niebezpieczeństwo zranienia przy rozruchu urządzenia.

**Zachować listę ze wskazówkami bezpieczeństwa.**

### 3. Opis urządzenia (rys. 1)

1. Osłona przeciwpyłowa
2. Tulejka blokująca
3. Uchwyt dodatkowy
4. Śruba do regulacji ogranicznika głębokości
5. Przetłącznik wiercenie/ wiercenie udarowe / dłutowanie
6. Uchwyt
7. Przetłącznik obrotów prawo/ lewo
8. Przycisk blokujący
9. Regulacja liczby obrotów
10. Włącznik/ Wyłącznik
11. Wskaźnik włączenia
12. Wskaźnik zużycia szczotek węglowych
13. Ogranicznik głębokości
14. Dodatkowy uchwyt szybkoocujący
15. Element zbierający kurz

### 4. Zakres dostawy

Wyciągnąć wszystkie części z opakowania i sprawdzić zawartości dostawy pod kątem kompletności.

- Młotowiertarka P-BMH 1100
- Uchwyt dodatkowy
- Ogranicznik głębokości
- Wiertła do kamienia (6, 8, 10 mm)
- Przecinak szpiczasty – przecinak płaski
- Dodatkowy uchwyt szybkoocujący
- Instrukcja obsługi
- Element zbierający kurz

### 5. Użycie zgodne z przeznaczeniem

Urządzenie przeznaczone jest do wiercenia udarowego w betonie, kamieniu i ceglach oraz do dłutowania przy zastosowaniu odpowiednich wiertel i dłut.

Urządzenie używać tylko zgodnie z jego przeznaczeniem. Każde użycie, odbiegające od opisanego w niniejszej instrukcji jest niezgodne z przeznaczeniem urządzenia. Za powstałe w wyniku niewłaściwego użytkowania szkody lub zranienia odpowiedzialność ponosi użytkownik/ właściciel, a nie producent.

Proszę pamiętać o tym, że nasze urządzenie nie jest przeznaczone do zastosowania zawodowego, rzemieślniczego lub przemysłowego. Umowa gwarancyjna nie obowiązuje, gdy urządzenie było stosowane w zakładach rzemieślniczych, przemysłowych lub do podobnych działań.

### 6. Dane techniczne

Napięcie znamionowe:	230-240V~ 50 Hz
Pobór mocy:	1050 W
Liczba obrotów biegu jałowego:	0-1100 min <sup>-1</sup>
Liczba udarów:	0-5100 min <sup>-1</sup>
Maksymalna średnica wiercenia w	
betonie/ kamieniu:	26 mm
Klasa ochrony:	II / □
Waga:	3,6 kg

**PL**

## Hałas i wibracje

Hałas i wibracje zostały zmierzone zgodnie z normą EN 60745.

Poziom ciśnienia akustycznego $L_{pA}$	91,8 dB(A)
Odchylenie $K_{pA}$	3 dB
Poziom mocy akustycznej $L_{WA}$	102,8 dB(A)
Odchylenie $K_{WA}$	3 dB

Młot udarowy nie jest przeznaczony do użytku na wolnym powietrzu, zgodnie z artykułem 3 dyrektywy 2000/14/EC\_2005/88/EC.

### Nosić nauszники ochronne.

Oddziaływanie hałasu może spowodować utratę słuchu.

Wartości całkowite drgań (suma wektorowa 3 kierunków) mierzone są zgodnie z normą 60745.

### Wiercenie udarowe w betonie

Wartość emisji drgań  $a_h = 15,81 \text{ m/s}^2$   
Odchylenie  $K = 1,5 \text{ m/s}^2$

### Dłutowanie

Wartość emisji drgań  $a_h = 15,668 \text{ m/s}^2$   
Odchylenie  $K = 1,5 \text{ m/s}^2$

### ⚠ Uwaga!

Ze względu na obszar użytkowania narzędzia wartość drgań zmieni się i w wyjątkowych sytuacjach może być ona wyższa od podanej wartości.

### Ograniczać powstawanie hałasu i wibracji do minimum!

- Używać wyłącznie urządzeń bez uszkodzeń.
- Regularnie czyścić urządzenie.
- Dopasować własny sposób pracy do urządzenia.
- Nie przeciążać urządzenia.
- W razie potrzeby kontrolować urządzenie.
- Nie włączać urządzenia, jeśli nie będzie używane.

- Nosić rękawice ochronne.

## 7. Przed uruchomieniem

### ⚠ Uwaga!

Przed podłączeniem urządzenia należy się upewnić, że dane na tabliczce znamionowej urządzenia są zgodne z danymi zasilania.

Przed rozpoczęciem ustawień na urządzeniu zawsze wyciągać wtyczkę z gniazdka.

Za pomocą urządzenia do odszukiwania przewodów zbadać czy w miejscu pracy nie ma ukrytych przewodów elektrycznych, gazowych lub instalacji wodnej.

### 7.1 Uchwyt dodatkowy (rys. 2-poz. 3)

#### Młotowiertakę, ze względów bezpieczeństwa, należy używać tylko z uchwytem dodatkowym.

Dodatkowy uchwyt (3) zapewnia dodatkowe oparcie podczas użytkowania maszyny. Nie wolno użytkować urządzenia bez dodatkowego uchwytu (3). Dodatkowy uchwyt (3) mocowany jest do maszyny za pomocą zacisku. Obracanie dodatkowego uchwytu (3) w kierunku zgodnym z ruchem wskazówek zegara powoduje zaciśnięcie zacisku. Obracanie w kierunku przeciwny do ruchu wskazówek zegara zwalnia zacisk.

- Najpierw należy zamontować dodatkowy uchwyt (3) wchodzący w skład kompletu. W tym celu należy przez obracanie dodatkowego uchwytu (3) rozewrzeć dostatecznie szeroko zacisk, aby umożliwić nasunięcie uchwytu na urządzenie.
- Po nasunięciu dodatkowego uchwytu (3) należy go ustawić w najwygodniejszej dla użytkownika pozycji roboczej.
- Następnie dokręcić dodatkowy uchwyt (3) w odwrotnym kierunku, aż zostanie zamocowany na stałe.
- Uchwyt dodatkowy (3) przeznaczony jest dla osób lewo- oraz praworęcznych.



**7.2 Ogranicznik głębokości (rys. 3-poz. 13)**

Ogranicznik głębokości (13) zostaje przytrzymany na uchwycie dodatkowym (3) za pomocą śruby unieruchamiającej (4).

- Poluzować śrubę unieruchamiającą (4) i włożyć ogranicznik głębokości (13).
- Ustawić ogranicznik głębokości (13) na równym poziomie z wiertłem.
- Pociągnąć ogranicznik głębokości (13) o wymaganą głębokość wiercenia.
- Ponownie przykręcić śrubę mocującą (4).
- Wiercić otwór, aż ogranicznik głębokości (13) dotknie obrabiany przedmiot.

**7.3 Wkładanie narzędzia (rys. 4)**

- Przed włożeniem wyczyścić narzędzie i lekko nasmarować chwyt narzędzia smarem.
- Pociągnąć do tyłu tulejkę blokującą (2) i zatrzymać.
- Obracając oczyszczone z pyłu narzędzie wsunąć je do oporu do uchwytu wiertarskiego. Narzędzie w uchwycie blokuje się samoczynnie po zwolnieniu tulei blokującej.
- Poprzez pociągnięcie narzędzia sprawdzić, czy jest zablokowane.

**7.4 Wyjmowanie narzędzia (rys. 5)**

Pociągnąć do tyłu tulejkę blokującą (2), zatrzymać i wyjąć narzędzie.

**7.5 Element zbierający kurz (rys. 8)**

Przed wierceniem udarowym należy wsunąć prostopadle do głowicy, przez wiertło element zbierający kurz (15).

**7.6 Wkładanie dodatkowego uchwytu szybkoobrotowego (rys. 4)**

- Przed włożeniem uchwytu szybkoobrotowego wyczyścić narzędzie i lekko nasmarować chwyt narzędzia smarem.
- Pociągnąć do tyłu tulejkę blokującą (2) i przytrzymać.
- Wolny od kurzu chwyt szybkoobrotowy obracając wsunąć w chwyt narzędzia, aż do oporu. Chwyt szybkoobrotowy sam się zablokuje, po tym jak tulejka blokująca

zostanie puszczone.

- Pociągając chwyt szybkoobrotowy (14) sprawdzić, czy jest zablokowany.

**7.7 Wyciąganie dodatkowego uchwytu szybkoobrotowego (rys. 5)**

Pociągnąć do tyłu tulejkę blokującą (2), zatrzymać i wyjąć chwyt szybkoobrotowy.

**7.8 Zakładanie wiertła do uchwytu szybkoobrotowego (rys. 6-7)****⚠ Uwaga!**

- Przed rozpoczęciem ustawiania urządzenia zawsze wyciągać wtyczkę z gniazdka.
- Odkręcić ogranicznik głębokości (13), tak jak opisano w punkcie 7.2 i przesunąć w kierunku uchwytu wiertła.
- Tym sposobem uzyskuje się dostęp do uchwytu wiertarskiego (14).
- Odkręcić chwyt wiertarski (14). Otwór na wiertło musi być na tyle duży, by chwycić wiertło.
- Wybrać odpowiednie wiertło. Wsunąć narzędzie do otworu uchwytu szybkoobrotowego tak daleko jak to możliwe.
- Dokręcić chwyt wiertarski (14). Sprawdzić, czy wiertło jest solidnie osadzone w uchwycie wiertarskim (14).
- W regularnych odstępach sprawdzać mocowanie wiertła, ewentualnie narzędzia (Wyciągnąć wtyczkę z sieci!).

## 8. Uruchamianie

### ⚠ Uwaga!

**W celu uniknięcia zagrożenia, należy trzymać urządzenie obiema rękami za uchwyty (3/6).** W innym przypadku przy przewierceniu przewodów może powstać zagrożenie porażenia prądem!

### 8.1 Wskaźnik działania akumulatora (rys. 1/poz. 11)

Gdy włożona jest wtyczka sieciowa świeci wskaźnik działania akumulatora (11)

### 8.2 Włącznik/ wyłącznik (rys. 9/ poz. 10)

- Najpierw włożyć odpowiednie wiertło do urządzenia (patrz. 7.3).
- Dopiero wtedy włożyć wtyczkę do odpowiedniego gniazda.
- Ustawić wiertarkę udarową bezpośrednio na wierconym miejscu.

### Włączanie:

Wcisnąć włącznik/ wyłącznik (Rys. 10)

### Wyłączanie:

Zwolnić włącznik/wyłącznik (10).

### Włączanie pracy ciągłej:

Włącznik/ wyłącznik (10) zabezpieczyć przyciskiem blokującym (8). Uwaga! Zablokowanie możliwe jest tylko przy obrotach w prawo.

### Wyłączanie pracy ciągłej:

Wcisnąć na chwilę włącznik/ wyłącznik (10).

### 8.3 Ustawianie liczby obrotów (rys. 9/ poz.10)

- Liczbą obrotów można sterować bezstopniowo podczas pracy.
- Poprzez mocniejsze lub słabsze przyciśnięcie włącznika/ wyłącznika (10) wybiera się liczbę obrotów.
- Wybór właściwej liczby obrotów. Najczęściej odpowiednia liczba obrotów zależy od obrabianego przedmiotu, od rodzaju pracy i użytych wiertel.
- Słabsze przyciśnięcie włącznika/

- wyłącznika (10): niższe obroty
- Mocniejsze przyciśnięcie włącznika/ wyłącznika (10): wyższe obroty

**Wskazówka:** Wiercić otwory za pomocą niskiej liczby obrotów. Stopniowo zwiększać liczbę obrotów.

### Zalety:

- Wiertło kontroluje się łatwiej przy nawiercaniu i nie zsuwa się.
- Uniknie się wtedy rozproszonych otworów (np. w przepadku kafli).

### 8.4 Ustawianie liczby obrotów (rys. 9/ poz. 9)

- Nie przeprowadzać ustawień podczas wiercenia.
- Regulator liczby obrotów (9) umożliwia zdefiniowanie maksymalnej liczby obrotów. Włącznik/ wyłącznik (10) może być dociśnięty tylko do podanej maksymalnej liczby obrotów.
- Ustawić liczbę obrotów na włączniku/ wyłączniku (10) za pomocą pierścienia nastawczego (9).

### 8.5 Przełącznik obrotów lewo/prawo (rys. 9/poz. 7)

- **Przełączać tylko wtedy, gdy urządzenie jest zatrzymane!**
- Za pomocą przełącznika obrotów lewo/prawo (7) ustawić kierunek obrotów wiertła:

#### Kierunek obrotów

Obroty w prawo  
(do przodu i wiercenie)

#### Pozycja przełącznika

Wciśnięty w lewo

Obroty w lewo  
(obrót powrotny)

Wciśnięty w prawo

### 8.6 Przełącznik wiercenie/ wiercenie udarowe / dłutowanie (rys. 10)

- Do celów wiercenia wcisnąć przycisk (E) na przełączniku (5) i jednocześnie obrócić przełącznik (5) do położenia A.
- Do celów wiercenia udarowego wcisnąć przycisk (E) na przełączniku (5) i jednocześnie obrócić przełącznik (5) do

położenia B.

- Do celów dłutowania wcisnąć przycisk (E) na przełączniku (5) i jednocześnie obrócić przełącznik (5) do położenia C. W położeniu C przecinak jest niezablokowany.
- Do celów dłutowania wcisnąć przycisk (E) na przełączniku (5) i jednocześnie obrócić przełącznik (5) do położenia D. W położeniu D przecinak jest zablokowany.

#### **Uwaga!**

Do wiercenia udarowego potrzebna jest tylko nieznaczna siła nacisku. Za duży nacisk niepotrzebnie obciąża silnik. Sprawdzać regularnie wiertło. Tępe wiertło wymienić lub przeszlifować.

## **9. Wymiana przewodu zasilającego**

W razie uszkodzenia przewodu zasilającego, przewód musi być wymieniony przez autoryzowany serwis lub osobę posiadającą podobne kwalifikacje, aby uniknąć niebezpieczeństwa.

## **10. Czyszczenie, konserwacja i zamawianie części zamiennych**

#### **⚠ Uwaga!**

Przed rozpoczęciem jakichkolwiek prac związanych z czyszczeniem wyciągnąć wtyczkę z gniazdka.

#### **10.1 Czyszczenie**

- Urządzenia zabezpieczające, szczeliny powietrza i obudowa silnika powinny być w miarę możliwości zawsze wolne od pyłu i zanieczyszczeń. Urządzenie wycierać czystą ściereczką lub przedmuchać sprężonym powietrzem o niskim ciśnieniu.
- Zaleca się czyszczenie urządzenia bezpośrednio po każdorazowym użyciu.
- Urządzenie czyścić regularnie wilgotną ściereczką z niewielką ilością szarego

mydła. Nie używać żadnych środków czyszczących ani rozpuszczalników; mogą one uszkodzić części urządzenia wykonane z tworzywa sztucznego. Należy uważać, aby do wnętrza urządzenia nie dostała się woda.

#### **10.2 Szczotki węglowe**

W razie nadmiernego iskrzenia lub zapalenia się kontrolki zużycia szczotek węglowych (12) należy sprawdzić szczotki węglowe u uprawnionego elektryka.

#### **10.3 Konserwacja**

We wnętrzu urządzenia nie ma części wymagających konserwacji.

#### **10.4 Zamawianie części wymiennych:**

Podczas zamawiania części zamiennych należy podać następujące dane:

- Typ urządzenia
  - Numer artykułu urządzenia
  - Numer identyfikacyjny urządzenia
- Aktualne ceny artykułów i informacje znajdują się na stronie: [www.isc-gmbh.info](http://www.isc-gmbh.info)

## **11. Usuwanie odpadów i recycling**

Aby zapobiec uszkodzeniom podczas transportu urządzenie znajduje się w opakowaniu. Opakowanie to jest surowcem, który można użytkować ponownie lub można przeznaczyć do powtórnego przerobu. Urządzenie oraz jego osprzęt składają się z różnych rodzajów materiałów, jak np. metal i tworzywa sztuczne. Uszkodzone elementy urządzenia proszę dostarczyć do punktu zbiorczego surowców wtórnych. Proszę poprosić o informację w sklepie specjalistycznym bądź w placówce samorządu lokalnego!

**PL**



Tylko dla krajów UE

Zabrania się wyrzucania  
elektronarzędzi na śmieci.

Zgodnie z Europejską Dyrektywą 2002/96/WE o przeznaczonych na złomowanie elektronarzędziach i sprzęcie elektronicznym oraz jej konwersji na prawo krajowe, elektronarzędzia należy zbierać osobno i oddać do punktu zbiórki surowców wtórnych.

Recykling jako alternatywa wobec obowiązku zwrotu urządzenia:

Alternatywnie do obowiązku zwrotu urządzenia elektrycznego po zakończeniu jego użytkowania, właściciel jest zobowiązany do współuczestnictwa w jego prawidłowej utylizacji. Wycofane z eksploatacji urządzenie można oddać również do punktu zbiórki surowców wtórnych, który przeprowadzi utylizację zgodnie z krajowymi przepisami o odpadach i wykorzystaniu surowców wtórnych. Nie dotyczy to osprzętu należącego do wyposażenia urządzenia i środków pomocniczych nie zawierających elementów elektrycznych.

## 12. Deklaracja zgodności z normami

Einhell Germany AG · Wiesenweg 22 · D-94405 Landau/Isar

**Konformitätserklärung**

- erklårt folgende Konformität gemäß EU-Richtlinie und Normen für Artikel  
 explains the following conformity according to EU directives and norms for the following product  
 déclare la conformité suivante selon la directive CE et les normes concernant l'article  
 dichiara la seguente conformità secondo la direttiva UE e le norme per l'articolo  
 verklaart de volgende overeenstemming conform EU richtlijn en normen voor het product  
 declara la siguiente conformidad a tenor de la directiva y normas de la UE para el artículo  
 declara a seguinte conformidade, de acordo com a directiva CE e normas para o artigo  
 attesterer følgende overensstemmelse i medfør af EU-direktiv samt standarder for artikel  
 förklarar följande överensstämmelse enl. EU-direktiv och standarder för artikeln  
 vakuuttaa, että tuote täyttää EU-direktiivin ja standardien vaatimukset  
 toendab toote vastavust EL direktiivile ja standarditele  
 vydává následující prohlášení o shodě podle směrnice EU a norem pro výrobek  
 potrjuje sledečo skladnost s smernico EU in standardi za izdelek  
 vydáva nasledujúce prehlásenie o zhode podľa smernice EÚ a noriem pre výrobok  
 a cikkekhez az EU-irányvonal és Normák szerint a következő konformitást jelenti ki  
 deklaruje zgodność wymienionego poniżej artykułu z następującymi normami na podstawie dyrektywy WE.  
 декларира съответното съответствие съгласно Директива на ЕС и норми за артикул  
 paskaidro šādu atbilstību ES direktīvai un standartiem  
 apibūdina šj atitiktīgu EU reikalavimams ir prekės normoms  
 declară următoarea conformitate conform directivei UE și normelor pentru articolul  
 δηλώνει την ακόλουθη συμμόρφωση σύμφωνα με την Οδηγία ΕΚ και τα πρότυπα για το προϊόν  
 potvrđuje sljedeću usklađenost prema smjernicama EU i normama za artikl  
 potvrđuje sljedeću usklađenost prema smjernicama EU i normama za artikl  
 potvrđuje sledeću usklađenost prema smernicama EZ i normama za artikla  
 следующим удостоверяется, что следующие продукты соответствуют директивам и нормам ЕС  
 проголошує про зазначену нижче відповідність виробу директивам та стандартам ЄС на виріб  
 ja izjavуva slednata soobrznost согласно EY-direktivata и нормите за артикли  
 Ürünü ile ilgili AB direktifleri ve normları gereğince aşağıda açıklanan uygunluğu belirtir  
 erklærer følgende samsvar i henhold til EU-direktivet og standarder for artikkel  
 Lýsir uppfyllingu EU-reglna og annarra staðla vöru

**Bohrhammer P-BMH 1100 (Parkside)**

- 2009/105/EC  
 2006/95/EC  
 2006/28/EC  
 2005/32/EC  
 2004/108/EC  
 2004/22/EC  
 1999/5/EC  
 97/23/EC  
 90/396/EC  
 89/686/EC\_96/58/EC  
 2006/42/EC  
 Annex IV  
 Notified Body:  
 Notified Body No.:  
 Reg. No.:  
 2000/14/EC\_2005/88/EC  
 Annex V  
 Annex VI  
 Noise: measured  $L_{WA}$  = dB (A); guaranteed  $L_{WA}$  = dB (A)  
 P = KW; L/Ø = cm  
 Notified Body:  
 2004/26/EC  
 Emission No.:

Standard references: EN 60745-1; EN 60745-2-6;  
EN 55014-1; EN 55014-2; EN 61000-3-2; EN 61000-3-3

Landau/Isar, den 04.11.2009

  
Weichselgartner/General Manager


  
Unger/Product-Management

First CE: 08  
Art.-No.: 42.583.76 I.-No.: 01019  
Subject to change without notice

Archive-File/Record: 4258395-42-4155050-08  
Documents registrar: Georg Riedel  
Wiesenweg 22, D-94405 Landau/Isar

PL

## 13. Świadcstwo gwarancyjne

Na opisywane w instrukcji obsługi urządzenie udzielamy 3-letniej gwarancji, na wypadek wadliwości naszego produktu. 3-letni okres gwarancyjny zaczyna obowiązywać w momencie przejścia ryzyka lub przejęcia urządzenia przez klienta.

Warunkiem skorzystania z uprawnień gwarancyjnych jest prawidłowa konserwacja urządzenia, zgodnie z instrukcją obsługi oraz użytkowanie zgodne z przeznaczeniem.

**Oczywiście w okresie tych 3 lat przysługują Państwu również uprawnienia gwarancyjne w ramach ustawowej rękojmi.**

Gwarancja obowiązuje na terenie Republiki Federalnej Niemiec lub w kraju generalnego przedstawiciela handlowego, jako uzupełnienie obowiązujących lokalnie przepisów ustawowych. Prosimy zwrócić się do odpowiedzialnego pracownika w regionalnym dziale obsługi klienta lub pod podany poniżej adres serwisu technicznego.

### **Einhell Polska sp. Z.o.o.**

Ul. Wymysłowskiego 1 · PL-55-080 Nowa Wies Wroclaska

Tel. +48 71 3346508 · Fax +48 71 3346503

Obsah	Strana
1. Úvod .....	33
2. Bezpečnostní pokyny .....	33-35
3. Popis přístroje .....	35
4. Rozsah dodávky .....	36
5. Použití podle účelu určení .....	36
6. Technická data.....	36
7. Před uvedením do provozu .....	37-38
8. Uvedení do provozu .....	38-39
9. Výměna síťového napájecího vedení .....	39
10. Čištění, údržba a objednání náhradních dílů .....	39
11. Likvidace a recyklace .....	40
12. Prohlášení o shodě .....	41
13. Záruční list.....	42

Dotisk nebo jiné rozmnožování dokumentace a průvodních dokumentů výrobků, také pouze výňatků, je přípustné výhradně se souhlasem firmy ISC GmbH.

Technické změny vyhrazeny

CZ

## Dodatečné pokyny



„Varování – Ke snížení rizika zranění si přečíst návod k obsluze“



### Noste ochranu sluchu.

Působení hluku může způsobit ztrátu sluchu.



### Noste ochrannou prachovou masku.

Při opracovávání dřeva a jiných materiálů může vznikat zdraví škodlivý prach. Materiály obsahující azbest nesmí být opracovávány!



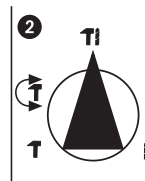
### Noste ochranné brýle.

Při práci vznikající jiskry nebo z přístroje vylétávající úlomky, třísky a prachy mohou způsobit ztrátu zraku.

1



2



Aby se zabránilo poškození přístroje, musí se přepínání mezi jednotlivými funkcemi provádět pouze ve vypnutém stavu.



## 1. Úvod

### ⚠ Pozor!

Při používání přístrojů musí být dodržována určitá bezpečnostní opatření, aby se zabránilo zraněním a škodám. Přečtěte si proto pečlivě tento návod k obsluze. Dobře si ho uložte, abyste měli tyto informace kdykoliv po ruce.

Pokud předáte přístroj jiným osobám, předejte s ním i tento návod k obsluze.

Nepřebíráme žádné ručení za škody a úrazy vzniklé v důsledku nedodržování tohoto návodu k obsluze a bezpečnostních pokynů.

## 2. Bezpečnostní pokyny

### ⚠ VAROVÁNÍ!

**Přečtěte si všechny bezpečnostní pokyny a instrukce.**

Zanedbání při dodržování bezpečnostních pokynů a instrukcí mohou mít za následek úder elektrickým proudem, požár a/nebo těžká zranění.

**Všechny bezpečnostní pokyny a instrukce si uložte pro budoucí použití.**

V bezpečnostních pokynech používaný pojem „elektrické nářadí“ se vztahuje na elektrické nářadí napájené ze sítě (se síťovým kabelem) a na elektrické nářadí poháněné akumulátorem (bez síťového kabelu).

### 1. Bezpečnost pracoviště

- **Udržujte Vaše pracoviště čisté a dobře osvětlené.** Nepořádek nebo neosvětlené pracoviště může vést ke zraněním.
- **Neppracujte s tímto přístrojem v oblasti ohrožené výbuchem, ve které se nacházejí hořlavé kapaliny, plyny nebo prach.**  
Elektrické nářadí produkuje jiskry, které mohou prach nebo páry zapálit.
- **Během používání elektrického nářadí nepouštějte děti a jiné osoby do blízkosti pracoviště.**  
Při rozptýlení byste mohli ztratit kontrolu nad přístrojem.

## 2. ELEKTRICKÁ BEZPEČNOST

- **Zástrčka přístroje musí být pro zásuvku vhodná. Zástrčka nesmí být v žádném případě pozměňována. Nepoužívejte žádné adaptéry zástrček společně s přístroji s ochranným uzemněním.**  
Nepozměňované zástrčky a vhodné zásuvky snižují riziko úderu elektrickým proudem.
- **Vyhýbejte se tělesnému kontaktu s uzemněnými částmi, jako např. rourami, topnými tělesy, sporáky, ledničkami.**  
Pokud je Vaše tělo uzemněno, existuje zvýšené riziko úderu elektrickým proudem.
- **Chraňte přístroj před deštěm nebo vlhkostí.**  
Vniknutí vody do elektrického přístroje zvyšuje riziko úderu elektrickým proudem.
- **Nepoužívejte kabel na účely, pro které není určen, jako např. na nošení nebo zavěšení přístroje nebo na vytažení zástrčky ze zásuvky. Chraňte kabel před horkem, olejem, ostrými hranami nebo pohyblivými částmi přístroje.**  
Poškozené nebo zamotané kabely zvyšují riziko úderu elektrickým proudem.
- **Při práci na volném prostranství používejte pouze pro to schválené prodlužovací kabely.**  
Používání prodlužovacího kabelu schváleného pro venkovní použití snižuje riziko úderu elektrickým proudem.
- **Nelze-li se vyhnout provozu elektrického nářadí ve vlhkém prostředí, použijte ochranný vypínač proti chybnému proudu.**  
Použití ochranného vypínače proti chybnému proudu snižuje riziko úderu elektrickým proudem.

## 3. BEZPEČNOST OSOB

- **Bud'te pozorní, dbejte na to, co děláte, při práci s elektrickým nářadím pracujte rozumně. Nepoužívejte nářadí pokud jste unaveni nebo pod vlivem drog, alkoholu nebo léků.**  
Moment nepozornosti může při používání elektrického nářadí vést k vážným zraněním.
- **Noste osobní ochranné vybavení a vždy ochranné brýle.**

Nošení osobního ochranného vybavení, jako je prachová maska, neklouzavá bezpečnostní obuv, ochranná přilba nebo ochrana sluchu, podle druhu a použití elektrického nářadí, snižuje riziko zranění.

- **Vyhýbejte se nezamýšlenému spuštění. Přesvědčte se, že je elektrické nářadí vypnuté, než ho připojíte na síť a/nebo akumulátor, uchopíte ho nebo ho ponese.**

Pokud máte při nošení přístroje prst na vypínači nebo připojíte přístroj v zapnutém stavu na zásobování proudem, může to vést k úrazům.

- **Než přístroj zapnete odstraňte nastavovací nástroje nebo klíče na šrouby a matice.**  
Nářadí nebo klíč, který se nalézá v otáčející se části přístroje, může vést ke zraněním.
- **Vyhýbejte se abnormálnímu držení těla. Zajistěte bezpečný postoj a udržujte vždy rovnováhu.**

Tím můžete přístroj v neočekávaných situacích lépe kontrolovat.

- **Noste vhodné pracovní oblečení. Nenoste široké oblečení a šperky. Nedávejte vlasy, oděv a rukavice do blízkosti pohybujících se částí.**  
Volný oděv, šperky nebo dlouhé vlasy mohou být pohybujícími se částmi zachyceny.
- **Pokud mohou být namontována zařízení na odsávání a zachytávání prachu, přesvědčte se, zda jsou tato připojena a správně používána.**  
Používání odsávání prachu může snížit riziko ohrožení prachem.

#### 4. Použití a ošetřování elektrického nářadí

- **Nářadí nepřetěžujte. Používejte pro práci určené elektrické nářadí.**  
Lépe a bezpečněji se s elektrickým nářadím pracuje v udaném rozsahu výkonu.
- **Nepoužívejte elektrické nářadí s defektním vypínačem.**  
Elektrické nářadí, které se nenechá za- a vypnout je nebezpečné a musí být opraveno.
- **Vytáhněte zástrčku ze zásuvky a/nebo**

**odstraňte akumulátor ještě před tím, než začnete provádět nastavení přístroje, vyměňovat části příslušenství nebo přístroj odložíte.**

Tato bezpečnostní opatření zabraňují neúmyslnému spuštění přístroje.

- **Nepoužívané elektrické nářadí skladujte mimo dosah dětí. Nedovolte používat přístroj osobám, které nejsou s přístrojem obeznámeny nebo nečetly tyto pokyny.**  
Elektrické nářadí je nebezpečné, pokud je používáno nezkušenými osobami.
- **Přístroj pečlivě ošetřujte. Překontrolujte, zda je v pořádku bezvadná funkce pohyblivých částí, jestli neuvázly nebo jestli nejsou části zlomené, nebo tak poškozené, že by omezovaly funkci přístroje. Poškozené části nechte před použitím přístroje opravit.**  
Příčina mnoha úrazů tkví ve špatné údržbě elektrického nářadí.
- **Udržujte řezné nástroje ostré a čisté.**  
Řádně udržované řezné nástroje s ostrými hranami méně vážnou a nechají se lépe vodit.
- **Používejte elektrické nářadí, příslušenství, přídavné přístroje atd. příslušně podle těchto pokynů. Zohledněte přitom pracovní podmínky a prováděnou činnost.**  
Při používání elektrického nářadí pro jiné účely, než pro jaké je určeno, může dojít k nebezpečným situacím.

#### 5. SERVIS

- **Přístroj nechte opravit pouze kvalifikovaným odborným personálem a pouze za použití originálních náhradních dílů.**  
Tím je zabezpečeno, že zůstane bezpečnost přístroje zachována.

#### Bezpečnostní pokyny pro kladiva

- **Noste ochranu sluchu.** Působení hluku může způsobit ztrátu sluchu.
- **Používejte přídavné rukojeti dodané s přístrojem.** Ztráta kontroly může vést ke zraněním.

**Speciální bezpečnostní pokyny**

- Překontrolujte napětí udané na typovém štítku (volty).
- Při použití kabelového bubnu kabel zcela odrolovat. Průřez drátu min 1,5 mm<sup>2</sup>.
- Při použití vrtacího kladiva na volném prostranství musí být pro připojení použito řádné prodlužovací vedení H07RN-F 3G1,5 mm<sup>2</sup> se zástrčkou chráněnou proti stříkající vodě.
- Dbejte na bezpečné stání na žebřících nebo lešeních při vrtání volně z ruky.
- Ve zdech, ve kterých je neviditelně zabudované vedení proudu, vody nebo plynu nejdříve lokalizovat vedení přístrojem na hledání vedení. Vyvarovat se doteku vodivých částí nebo vodičů pod proudem.
- K ochraně uší noste ochranu sluchu: plíživá ztráta sluchu!
- Noste ochranné brýle, a při pracích při kterých vzniká prach používejte prachovou masku.
- Nepoužívat v blízkosti par nebo hořlavých kapalin.
- Při všech nastavovacích a čistících pracích vytáhněte zástrčku ze zásuvky.
- Chraňte sít'ové vedení před poškozením. Olej a kyseliny mohou vedení poškodit.
- Stroj nepřetěžovat.
- **Důležité!**  
Musí být dodržovány všechny národní bezpečnostní předpisy co se týče instalace, provozu a údržby.
- Sekáče a vrtáky mohou být nedopatřením ze stroje vymrštěny a způsobit těžká zranění:
  - Před prací vždy přikontrolovat, jestli je sekáč nebo vrták pevně zajištěn v držáku nástroje.
  - Pravidelně kontrolovat, není-li držák nástroje opotřebován nebo poškozen.
- Nářadí pro nárazové vrtání nastartovat jedině tehdy, když je tlačeno proti obrobku (zed', strop atd.).
- Po ukončené práci vrtací kladivo odpojit od sítě a sekáč nebo vrták z nářadí vyndat.
- Před výměnou sekáče nebo vrtáku vrtací kladivo vždy odpojit od sítě.
- Chraňte oči a spolupracovníky před odlétávajícími částěčkami a

- oprýskávajícími cizími tělesy. Nosit ochrannou přilbu! Postavit dělicí stěny!
- Pracovní rukavice chrání před odřeninami kůže.
- Vibrace mohou být škodlivé pro ruce a paže: je třeba dodržovat minimální možnou dobu působení vibrací.
- Sít'ový kabel vést vždy směrem dozadu od přístroje.
- Uschovávejte přístroj tak, aby nebyl přístupný dětem.
- Při práci držet přístroj vždy oběma rukama a dbát na bezpečný postoj.
- Před uvedením do provozu je třeba dbát na to, aby byla na přístroji nastavena správná poloha spínače pro prováděné opracování, protože jinak hrozí nebezpeční zranění při náběhu stroje.

**Dobře si bezpečnostní pokyny uschovejte.**

**3. Popis přístroje (obr. 1)**

1. Ochrana proti prachu
2. Upínací hlava
3. Přídavná rukojeť
4. Zajišťovací šroub pro hloubkový doraz
5. Přepínač vrtání/vrtání s přiklepem/sekání
6. Rukojeť
7. Přepínač pravý/levý chod
8. Zajišťovací knoflík
9. Regulátor otáček
10. Za-/vypínač
11. Indikace provozu
12. Indikace opotřebování uhlíkových kartáčků
13. Hloubkový doraz
14. Dodatečné rychloupínací sklíčidlo
15. Zařízení na zachycení prachu

## 4. Rozsah dodávky

Všechny díly z balení vyjměte a zkontrolujte jejich úplnost.

- Vrtací kladivo P-BMH 1100
- Přídavná rukojeť
- Hloubkový doraz
- Vrtáky do kamene (6, 8, 10 mm)
- Důlčík - plochý sekáč
- Dodatečné rychloupínací sklíčidlo
- Návod k obsluze
- Zařízení na zachycení prachu


## 5. Použití podle účelu určení

Přístroj je určen k vrtání do betonu, kameniva a cihel a k sekání za použití příslušného vrtáku nebo dláta.

Stroj smí být používán pouze podle svého účelu určení. Každé další toto překračující použití neodpovídá použití podle účelu určení. Za z toho vyplývající škody nebo zranění všeho druhu ručí uživatel/obsluhující osoba a ne výrobce.

Dbejte prosím na to, že naše přístroje nebyly podle svého účelu určení konstruovány pro živnostenské, řemeslnické nebo průmyslové použití. Nepřebíráme žádné ručení, pokud je přístroj používán v živnostenských, řemeslných nebo průmyslových podnicích a při srovnatelných činnostech.

## 6. Technická data

Síťové napětí:	230-240 V~ 50 Hz
Příkon:	1050 W
Otáčky chodu naprázdno:	0-1100 min <sup>-1</sup>
Počet úderů:	0-5100 min <sup>-1</sup>
Výkon vrtání beton/kámen (max.):	26 mm
Třída ochrany:	II / 
Hmotnost:	3,6 kg

## Hluk a vibrace

Hluk a vibrace změřeny podle normy EN 60745.

Hladina akustického tlaku L <sub>pA</sub>	91,8 dB(A)
Nejistota K <sub>pA</sub>	3 dB
Hladina akustického výkonu L <sub>WA</sub>	102,8 dB(A)
Nejistota K <sub>WA</sub>	3 dB

Vrtací kladivo není určeno k použití venku, v souladu s článkem 3 směrnice 2000/14/EC\_2005/88/EC.

### Noste ochranu sluchu.

Působení hluku může způsobit ztrátu sluchu.

Hodnoty celkových vibrací (vektorový součet tří směrů) změřeny podle normy EN 60745.

### Příklepové vrtání do betonu

Emisní hodnota vibrací a<sub>h</sub> = 15,81 m/s<sup>2</sup>

Nejistota K = 1,5 m/s<sup>2</sup>

### Sekání

Emisní hodnota vibrací a<sub>h</sub> = 15,668 m/s<sup>2</sup>

Nejistota K = 1,5 m/s<sup>2</sup>

### ⚠ Pozor!

Hodnota vibrací se podle oblasti použití elektrického nářadí mění a ve výjimečných případech se může pohybovat nad udanou hodnotou.

### Omezte tvorbu hluku a vibrace na minimum!

- Používejte pouze přístroje v bezvadném stavu.
- Pravidelně provádějte údržbu a čištění přístroje.
- Přizpůsobte Váš způsob práce přístroji.
- Nepřetěžujte přístroj.
- V případě potřeby nechte přístroj zkontrolovat.
- Přístroj vypněte, pokud ho nepoužíváte.
- Noste rukavice.

## 7. Před uvedením do provozu

### ⚠ Pozor!

Před připojením se přesvědčte, zda údaje na typovém štítku souhlasí s údaji sítě.

Předtím, než začnete provádět nastavování na přístroji, vždy vytáhněte síťovou zástrčku ze zásuvky.

Místo použití zkontrolujte pomocí přístroje na hledání vedení, zda se tam nenachází skrytá elektrická vedení, plynové nebo vodovodní potrubí.

### 7.1 Přídavná rukojeť (obr. 2 - pol. 3) Vrtací kladivo používat z bezpečnostních důvodů pouze s přídavnou rukojetí.

Přídavná rukojeť (3) Vám během používání přístroje poskytuje dodatečnou stabilitu. Přístroj proto nikdy nepoužívejte bez přídavné rukojeti (3). Přídavná rukojeť (3) se na přístroji upevní pomocí mechanického upevnění. Otáčením přídavné rukojeti (3) ve směru hodinových ručiček je mechanické upevnění utahováno. Otáčením proti směru hodinových ručiček je mechanické upevnění povolováno.

- Přiložená přídavná rukojeť (3) musí být nejdříve namontována. K tomu otáčením přídavné rukojeti (3) mechanické upevnění dostatečně povolit, aby mohla být přídavná rukojeť (3) nasunuta na přístroj.
- Po nasunutí přídavné rukojeti (3) ji natočte do Vám nejvíce vyhovující pracovní polohy.
- Nyní přídavnou rukojeť (3) v opačném směru otáčení opět utáhnout, až přídavná rukojeť (3) pevně sedí.
- Přídavná rukojeť (3) je vhodná jak pro praváky, tak leváky.

### 7.2 Hloubkový doraz (obr. 3 - pol. 13)

Hloubkový doraz (13) je upevněn zajišťovacím šroubem (4) na přídavné rukojeti (3) pomocí mechanického upevnění.

- Uvolněte zajišťovací šroub (4) a vložte hloubkový doraz (13).
- Nastavte hloubkový doraz (13) na stejnou úroveň s vrtákem.
- Posuňte hloubkový doraz (13) zpět na

požadovanou hloubku vrtání.

- Zajišťovací šroub (4) opět utáhněte.
- Nyní vrtejte otvor tak dalece, až se hloubkový doraz (13) dotkne obrobku.

### 7.3 Vložení nástroje (obr. 4)

- Nástroj před vložením vyčistěte a dřík nástroje lehce namažte mazacím tukem pro vrtáky.
- Upínací hlavu (2) posunout směrem zpět a pevně držet.
- Čistý nástroj zasuňte otáčením až na doraz do upínání nástroje. Nástroj se sám zablokuje poté, co se pustí upínací hlava.
- Blokování zkontrolujte zatáhnutím za nástroj.

### 7.4 Vyjmutí nástroje (obr. 5)

Upínací hlavu (2) posunout směrem zpět, pevně držet a nástroj vyjmout.

### 7.5 Zařízení na zachycení prachu (obr. 8)

Před pracemi vrtacím kladivem nasuňte zařízení na zachycení prachu (15) přes vrták svisle nad hlavu přístroje.

### 7.6 Nasazení dodatečného rychloupínacího sklíčidla (obr. 4)

- Rychloupínací sklíčidlo (14) před nasazením vyčistěte a dřík rychloupínacího sklíčidla lehce namažte mazacím tukem pro vrtáky.
- Upínací hlavu (2) posunout dozadu a pevně držet.
- Čisté rychloupínací sklíčidlo (14) zasuňte otáčením až na doraz do upínání nástroje. Rychloupínací sklíčidlo (14) se samo zablokuje poté, co se pustí upínací hlava.
- Blokování zkontrolujte zatáhnutím za rychloupínací sklíčidlo (14).

### 7.7 Vyjmutí dodatečného rychloupínacího sklíčidla (obr. 5)

Upínací hlavu (2) posunout dozadu, pevně držet a rychloupínací sklíčidlo vyjmout.

## 7.8 Nasazení vrtáku do rychloupínacího sklíčidla (obr. 6-7)

### ⚠ Pozor!

- Než začnete na přístroji provádět nastavení, vždy vytáhněte síťovou zástrčku ze zásuvky.
- Hloubkový doraz (13) povolit podle popisu v bodě 7.2 a posunout ho ve směru rukojeti vrtáčky. Tím je získán volný přístup ke sklíčidlu (14).
- Otáčením otevřete sklíčidlo (14). Otvor na vrták musí být dostatečně velký, aby bylo možné vrták upnout.
- Zvolte vhodný vrták. Zastrčte nástroj do otvoru sklíčidla tak dalece, jak je to možné.
- Otáčením zavřete sklíčidlo (14). Zkontrolujte, zda vrták ve sklíčidle (14) pevně drží.
- V pravidelných odstupech kontrolujte pevné usazení vrtáku resp. nástroje (vytáhnout síťovou zástrčku!).

## 8. Uvedení do provozu

### ⚠ Pozor!

**Aby se zabránilo ohrožení, musí se přístroj držet vždy pouze za obě rukojeti (3/6)! V opačném případě může při navrtání vedení hrozit úder elektrickým proudem!**

### 8.1 Indikace provozu (obr. 1/pol. 11)

Indikace provozu (11) svítí, pokud je zapojená síťová zástrčka.

### 8.2 Za-/vypínač (obr. 9/pol. 10)

- Nejdříve do přístroje nasadte vhodný vrták (viz 7.3).
- Zastrčte síťovou zástrčku do vhodné zásuvky.
- Nasadte vrtáčku přímo na vrtané místo.

### Zapnutí:

Za-/vypínač (10) stisknout.

### Vypnutí:

Pustit za-/vypínač (10).

### Zapnutí trvalého provozu:

Za-/vypínač (10) zajistit zajišťovacím knoflíkem (8). Pozor! Aretace je možná pouze v pravém chodu.

### Vypnutí trvalého provozu:

Za-/vypínač (10) krátce stisknout.

### 8.3 Nastavení počtu otáček (obr. 9/pol. 10)

- Počet otáček můžete během provozu plynule regulovat.
- Silnějším či slabším tisknutím za-/vypínače (10) volíte počet otáček.
- Volba správného počtu otáček: Nejvhodnější počet otáček závisí na obrobku, druhu režimu a použitém vrtáku.
- Malý tlak na za-/vypínač (10): nízký počet otáček
- Větší tlak na za-/vypínač (10): vyšší počet otáček

**Tip:** Navrtávejte díry s malým počtem otáček. Poté krok za krokem počet otáček zvyšujte.

### Přednosti:

- Vrták lze při navrtávání lépe kontrolovat a nesklouzne.
- Zabráníte roztrženým vyvrtaným dírám (např. u dlaždiček).

### 8.4 Předvolba počtu otáček (obr. 9/pol.9)

- Neprovádějte nastavení během vrtání.
- Nastavovací kroužek počtu otáček (9) Vám umožňuje vymezit maximální počet otáček. Za-/vypínač (10) může být stlačen pouze do uvedené hodnoty počtu otáček.
- Nastavte počet otáček pomocí nastavovacího kroužku (9) na za-/vypínači (10).

### 8.5 Přepínač pravý/levý chod (obr. 9/pol. 7)

- **Přepínat pouze ve vypnutém stavu!**
- Pomocí přepínače pravý/levý chod (7) nastavte směr chodu příklepové vrtáčky:

#### Směr chodu

Pravý chod (vpřed a vrtání)

Levý chod (zpětný chod)

#### Poloha spínače

Stlačen doleva

Stlačen doprava

### 8.6 Přepínač vrtání/vrtání s příklepem/sekání (obr. 10)

- Na vrtání stisknout knoflík (E) na přepínači (5) a současně otočit přepínač (5) do polohy A.
- Na vrtání s příklepem stisknout knoflík (E) na přepínači (5) a současně otočit přepínač (5) do polohy B.
- Na sekání stisknout knoflík (E) na přepínači (5) a současně otočit přepínač (5) do polohy C. V poloze C není sekáč zaaretován.
- Na sekání stisknout knoflík (E) na přepínači (5) a současně otočit přepínač (5) do polohy D. V poloze D je sekáč zaaretován.

#### **Pozor!**

Na vrtání s příklepem potřebujete pouze malou přítlačnou sílu. Příliš velký přítlačný tlak zbytečně zatěžuje motor. Pravidelně kontrolovat vrták. Tupé vrtáky nabrousit nebo vyměnit.

### 9. Výměna síťového napájecího vedení

Pokud je síťové napájecí vedení poškozeno, musí být nahrazeno výrobcem nebo jeho zákaznickým servisem nebo kvalifikovanou osobou, aby se zabránilo nebezpečím.

## 10. Čištění, údržba a objednání náhradních dílů

#### **⚠ Pozor!**

Před všemi čisticími pracemi vytáhněte síťovou zástrčku.

#### 10.1 Čištění

- Udržujte bezpečnostní zařízení, větrací otvory a kryt motoru tak prosté prachu a nečistot, jak jen to je možné. Otřete přístroj čistým hadrem nebo ho profoukněte stlačeným vzduchem při nízkém tlaku.
- Doporučujeme přímo po každém použití přístroj vyčistit.
- Pravidelně přístroj čistěte vlhkým hadrem a trochou mazlavého mýdla. Nepoužívejte žádné čisticí prostředky nebo rozpouštědla, mohlo by dojít k poškození plastových částí přístroje. Dbejte na to, aby se dovnitř přístroje nedostala voda.

#### 10.2 Uhlíkové kartáčky

Při nadměrné tvorbě jisker nebo rozsvícení indikace opotřebení uhlíkových kartáčků (12) nechte uhlíkové kartáčky zkontrolovat odborným elektrikářem.

#### 10.3 Údržba

Uvnitř přístroje se nevyskytují žádné další, údržbu vyžadující, díly.

#### 10.4 Objednání náhradních dílů:

Při objednávce náhradních dílů je třeba uvést následující údaje:

- Typ přístroje
- Číslo výrobku přístroje
- Identifikační číslo přístroje

Aktuální ceny a informace naleznete na [www.isc-gmbh.info](http://www.isc-gmbh.info)

**CZ**

## 11. Likvidace a recyklace

Přístroj je uložen v balení, aby bylo zabráněno poškození při přepravě. Toto balení je surovina a tím znovu použitelné nebo může být dáno zpět do cirkulace surovin.

Přístroj a jeho příslušenství jsou vyrobeny z rozdílných materiálů, jako např. kov a plasty. Defektní součástky odevzdejte k likvidaci zvláštních odpadů. Zeptejte se v odborné prodejně nebo na místním zastupitelství!



Pouze pro členské země EU

Nedávejte elektrické nářadí do domácího odpadu.

Podle Evropské směrnice 2002/96/EG o starých elektrických a elektronických přístrojích (WEEE) a podle národního práva musí být použité elektrické nářadí odděleně skladováno a odevzdáno k ekologické recyklaci.

Alternativa recyklace k zaslání zpět:

Vlastník elektrického přístroje je alternativně namísto zaslání zpět povinen ke spolupráci při odborné recyklaci v případě, že se rozhodne přístroj zlikvidovat. Starý přístroj může být v tomto případě také odevzdán do sběrný, která provede likvidaci ve smyslu národního zákona o hospodářském koloběhu a zákona o odpadech. Toto neplatí pro ke starým přístrojům přiložené části příslušenství a pomocné prostředky bez elektrických součástí.



## 12. Prohlášení o shodě

Einhell Germany AG · Wiesenweg 22 · D-94405 Landau/Isar

**Konformitätserklärung**

- erklárt folgende Konformität gemäß EU-Richtlinie und Normen für Artikel  
 explains the following conformity according to EU directives and norms for the following product  
 déclare la conformité suivante selon la directive CE et les normes concernant l'article  
 dichiara la seguente conformità secondo la direttiva UE e le norme per l'articolo  
 verklaart de volgende overeenstemming conform EU richtlijn en normen voor het product  
 declara la siguiente conformidad a tenor de la directiva y normas de la UE para el artículo  
 declara a seguinte conformidade, de acordo com a directiva CE e normas para o artigo  
 attesterer følgende overensstemmelse i medfør af EU-direktiv samt standarder for artiklen  
 förklarar följande överensstämmelse enl. EU-direktiv och standarder för artikeln  
 vakuuttaa, että tuote täyttää EU-direktiivin ja standardien vaatimukset  
 toendab toote vastavust EL direktiivile ja standarditele  
 vydává následující prohlášení o shodě podle směrnice EU a norem pro výrobek  
 potrjuje sledečo skladnost s smernico EU in standardi za izdelek  
 vydáva nasledujúce prehlásenie o zhode podľa smernice EÚ a noriem pre výrobok  
 a cikkekhez az EU-irányvonal és Normák szerint a következő konformitást jelenti ki  
 deklaruje zgodność wymienionego poniżej artykułu z następującymi normami na podstawie dyrektywy WE.  
 декларира съответното съответствие съгласно Директива на ЕС и норми за артикул  
 paskaidro šādu atbilstību ES direktīvai un standartiem  
 apibūdina šj atitikamā EU reikalavimams ir prekės normoms  
 declară următoarea conformitate conform directivei UE și normelor pentru articolul  
 δηλώνει την ακόλουθη συμμόρφωση σύμφωνα με την Οδηγία ΕΚ και τα πρότυπα για το προϊόν  
 potvrđuje sljedeću usklađenost prema smjernicama EU i normama za artikl  
 potvrđuje sljedeću usklađenost prema smjernicama EU i normama za artikl  
 potvrđuje sledeću usklađenost prema smernicama EZ i normama za artikla  
 следующим удостоверяется, что следующие продукты соответствуют директивам и нормам ЕС  
 проголошує про зазначену нижче відповідність виробу директивам та стандартам ЄС на виріб  
 ja izjavуva slednata soobrznost согласно EY-direktivata и нормите за артикли  
 Ürünü ile ilgili AB direktifleri ve normları gereğince aşağıda açıklanan uygunluğu belirtir  
 erklærer følgende samsvar i henhold til EU-direktivet og standarder for artikkel  
 Lýsir uppfyllingu EU-reglna og annarra staðla vöru

**Bohrhammer P-BMH 1100 (Parkside)**

- 2009/105/EC  
 2006/95/EC  
 2006/28/EC  
 2005/32/EC  
 2004/108/EC  
 2004/22/EC  
 1999/5/EC  
 97/23/EC  
 90/396/EC  
 89/686/EC\_96/58/EC  
 2006/42/EC  
 Annex IV  
 Notified Body:  
 Notified Body No.:  
 Reg. No.:  
 2000/14/EC\_2005/88/EC  
 Annex V  
 Annex VI  
 Noise: measured  $L_{WA}$  = dB (A); guaranteed  $L_{WA}$  = dB (A)  
 P = KW; L/Ø = cm  
 Notified Body:  
 2004/26/EC  
 Emission No.:

Standard references: EN 60745-1; EN 60745-2-6;  
EN 55014-1; EN 55014-2; EN 61000-3-2; EN 61000-3-3

Landau/Isar, den 04.11.2009

Weichselgartner/General Manager

Unger/Product-Management

First CE: 08  
 Art.-No.: 42.583.76 I.-No.: 01019  
 Subject to change without notice

Archive-File/Record: 4258395-42-4155050-08  
 Documents registrar: Georg Riedel  
 Wiesenweg 22, D-94405 Landau/Isar

# 13. ZÁRUČNÍ LIST

## Vážená zákaznice, vážený zákazníku,

naše výrobky podléhají přísné kontrole kvality. Pokud i přesto tento přístroj bezvadně nefunguje, velice toho litujeme a prosíme Vás, abyste se obrátili na náš zákaznický servis, jehož adresa je uvedena na tomto záručním listu. Rádi Vám budeme k dispozici také telefonicky na níže uvedeném servisním čísle. Pro uplatňování nároků na záruku platí následující:

1. Tyto záruční podmínky upravují dodatečný záruční servis. Vašich zákonných nároků na záruku se tato záruka netýká. Náš záruční servis je pro Vás bezplatný.
2. Záruční servis se vztahuje výhradně na nedostatky, které lze odvodit z vad materiálu nebo výrobních vad a je také omezen pouze na odstranění těchto nedostatků, resp. výměnu přístroje. Dbejte prosím na to, že naše přístroje nebyly podle svého účelu určeny konstruovány pro živnostenské, řemeslnické nebo průmyslové použití. Záruční smlouva tak není realizována, pokud byl přístroj používán v živnostenských, řemeslných nebo průmyslových podnicích a při srovnatelných činnostech. Z naší záruky je dále vyloučeno poskytnutí náhrady za dopravní škody, škody způsobené nedodržováním montážního návodu nebo z důvodů neodborné instalace, nedodržování návodu k použití (jako např. připojení na chybné síťové napětí nebo druh proudu), nedovoleného nebo neodborného používání (jako např. přetížení přístroje nebo použití neschválených vložných nástrojů nebo příslušenství), nedodržování pokynů pro údržbu a bezpečnostních pokynů, vniknutí cizích těles do přístroje (jako např. písek, kameny nebo prach), použití násilí nebo poškození v důsledku cizích vlivů (jako např. škody způsobené pádem), jakož také běžného opotřebení způsobeného používáním. To platí obzvláště pro akumulátory, na které přesto poskytujeme záruční lhůtu 12 měsíců.

Nárok na záruku zaniká, pokud bylo do přístroje již zasahováno.

3. Záruční doba činí 3 roky a začíná datem koupě přístroje. Nároky na záruku před vypršením záruční doby je třeba uplatňovat během dvou týdnů od zjištění defektu. Uplatňování nároků na záruku po vypršení záruční doby je vyloučeno. Oprava nebo výměna přístroje nevede k prodloužení záruční doby, ani k zahájení nové záruční doby za provedený výkon pro přístroj nebo pro případně zamontované náhradní díly. Toto platí také v případě servisu v místě Vašeho bydliště.
4. Při uplatňování Vašeho nároku na záruku zašlete prosím přístroj bez poštovného na níže uvedenou adresu. Přiložte originál prodejního dokladu nebo jiného datovaného potvrzení o koupi. Pokladní lístek si proto dobře uložte jako důkaz! Popište nám prosím pokud možno přesně důvod reklamace. Je-li defekt přístroje v našem záručním servisu obsažen, obdržíte obratem opravený nebo nový přístroj.

Samozřejmě rádi za úhradu nákladů odstraníme defekty na přístroji, které nespádají nebo již nespádají do rozsahu záruky. K tomu nám přístroj prosím zašlete na naši servisní adresu.

**Einhell UNICORE s.r.o.**  
Holečkova 4  
360 17 Karlovy Vary - CZ  
Tel.: 00420 353 440 218 · Fax: 00420 359 607 223

Obsah	Strana
1. Úvod .....	45
2. Bezpečnostné pokyny.....	45-47
3. Popis prístroja .....	48
4. Objem dodávky .....	48
5. Správne použitie prístroja.....	48
6. Technické údaje .....	48-49
7. Pred uvedením do prevádzky.....	49-50
8. Uvedenie do prevádzky .....	50-51
9. Výmena sieťového prípojného vedenia .....	51
10. Čistenie, údržba a objednanie náhradných dielov .....	51-52
11. Likvidácia a recyklácia .....	52
12. Prehlásenie o zhode .....	53
13. Záručný list.....	54

Kopírovanie alebo iné rozmnožovanie dokumentácie a sprievodných podkladov produktov, a to aj čiastočné, je prípustné len s výslovným povolením spoločnosti ISC GmbH.

Technické zmeny vyhradené

SK

## Dodatočné pokyny



„Upozornenie - Aby ste znížili riziko poranenia, prečítajte si návod na obsluhu“



### Používajte ochranu sluchu.

Pôsobenie hluku môže spôsobiť poškodenie sluchu.



### Používajte ochrannú masku proti prachu.

Pri práci s drevom a inými materiálmi môže vzniknúť zdraviu škodlivý prach. Materiál obsahujúci azbest nesmie byť spracovávaný!



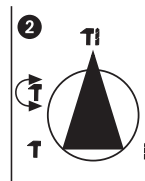
### Noste ochranné okuliare.

Iskry vznikajúce pri práci alebo úlomky, triesky aprach vystupujúci z prístroja by mohli viesť k trvalému poškodeniu zraku.

1



2



Aby ste zabránili poškodeniu prístroja, mali by ste prepínať medzi jednotlivými funkciami iba vo vypnutom stave.

## 1. Úvod

### ⚠ Pozor!

Pri používaní prístrojov sa musia dodržiavať príslušné bezpečnostné opatrenia, aby bolo možné zabrániť prípadným zraneniam a vecným škodám. Preto si starostlivo prečítajte tento návod na obsluhu / bezpečnostné pokyny. Následne ich starostlivo uschovajte, aby ste mali vždy k dispozícii potrebné informácie. V prípade, že budete prístroj požičiavať tretím osobám, prosím odovzdajte im spolu s prístrojom tento návod na obsluhu/ bezpečnostné pokyny. Nepreberáme žiadne ručenie za nehody ani škody, ktoré vzniknú nedodržaním tohto návodu na obsluhu a bezpečnostných pokynov.

## 2. Bezpečnostné pokyny

### ⚠ VÝSTRAHA!

#### Prečítajte si všetky bezpečnostné predpisy a pokyny.

Nedostatky pri dodržovaní bezpečnostných predpisov a pokynov môžu mať za následok úraz elektrickým prúdom, vznik požiaru a/alebo ťažké poranenia.

#### Všetky bezpečnostné predpisy a pokyny si odložte pre budúce použitie.

V bezpečnostných predpisoch uvádzaný pojem „elektrický prístroj“ sa vzťahuje na sieťové elektrické prístroje (so sieťovým elektrickým káblom) a na akumulátorové elektrické prístroje (bez sieťového elektrického kábla).

### 1. Bezpečnosť pracoviska

- **Udržujte Vaše pracovisko vždy v čistom stave a dobre osvetlené.** Neporiadok alebo neosvetlené pracovné oblasti môžu mať za následok vznik úrazu.
- **Nepoužívajte tento prístroj v prostredí s nebezpečenstvom explózie, kde sa nachádzajú horľavé tekutiny, plyny alebo prach.**  
Elektrické nástroje vytvárajú iskry, ktoré by mohli zapáliť prach alebo výpary.

- **Zabráňte prístup deťom a iným cudzím osobám do vašej pracovnej oblasti počas práce s elektrickým nástrojom.**  
V prípade, že budete vyrušovaný, môžete stratiť kontrolu nad prístrojom.

### 2. ELEKTRICKÁ BEZPEČNOSŤ

- **Elektrická zástrčka prístroja musí správne pasovať do zásuvky. Zástrčka sa nesmie v žiadnom prípade prispôsobovať resp. meniť. Nikdy nepoužívajte adaptérovú zástrčku spolu s chránenými uzemnenými prístrojmi.**  
Nezmenené zástrčky a správne zásuvky znižujú riziko elektrického úrazu.
- **Zabráňte telesnému dotyku s uzemnenými povrchmi, ako napríklad potrubnými rúrami, radiátormi, pecami a chladničkami.**  
V prípade, že je vaše telo uzemnené, existuje zvýšené riziko elektrického úderu.
- **Nevystavujte prístroj dažďu ani vlhkému prostrediu.**  
Vniknutie vody do elektrického prístroja zvyšuje riziko elektrického úrazu.
- **Nepoužívajte kábel na to, aby ste na ňom nosili zavesený prístroj, vešali prístroj za kábel alebo aby ste ním vyťahovali zástrčku zo zásuvky. Chráňte elektrický kábel pred teplom, olejom a pred pohyblivými časťami prístroja.**  
Poškodené alebo zamotané káble zvyšujú riziko elektrického úrazu.
- **V prípade, že pracujete s použitie vo vonkajšom prostredí.**  
Použitie predlžovacieho kábla určeného pre použitie vo vonkajšom prostredí znižuje riziko elektrického úrazu.
- **Ak nie je možné zabrániť použitiu elektrického prístroja vo vlhkom prostredí, používajte pripojenie cez prúdový chránič.**  
Použitie pripojenia s prúdovým chráničom znižuje riziko úrazu elektrickým prúdom.

### 3. BEZPEČNOSŤ OSÔB

- **Buďte vždy pozorný, dbajte na to, čo práve robíte a postupujte pri práci s elektrickým nástrojom rozumne.**

**SK**

**Nepoužívajte prístroj v tom prípade, že ste pri práci unavený alebo že ste pod vplyvom drog, alkoholu alebo liekov.**

Jeden moment nepozornosti pri používaní elektrického nástroja môže viesť kážnym poraneniam.

- **Vždy noste osobné ochranné vybavenie a vždy ochranné okuliare.**

Používanie osobného ochranného vybavenia, ako je ochranná maska proti prachu, protišmyková bezpečnostná obuv, ochranná prilba alebo ochrana sluchu, podľa príslušného spôsobu použitia daného elektrického nástroja, znižuje riziko zranenia.

- **Zabráňte samovoľnému uvedeniu do prevádzky. Zabezpečte, aby bol elektrický prístroj vypnutý pred tým, než ho zapojíte na elektrický zdroj a/alebo vložíte akumulátor, ako aj pred zdvíhaním alebo prenášaním prístroja.**

V prípade, že máte pri prenášaní prístroja prsty na vypínači alebo že zapájate prístroj s aktivovaným spínačom do elektrickej siete, môže to viesť k nehodám.

- **Pred zapnutím prístroja odstráňte z neho všetky nastavovacie náradia alebo skrutkovače.**

Náradie alebo kľúč, ktorý by sa nachádzal na rotujúcej časti prístroja, by mohol spôsobiť zranenie.

- **Vystríhajte sa abnormálneho držania tela. Postarajte sa o bezpečný postoj pri práci a dbajte neustále na rovnováhu.**

Len tak môžete prístroj lepšie kontrolovať pri neočakávaných situáciách.

- **Pri práci používajte vhodný odev. Nenoste pri práci s prístrojom voľné oblečenie alebo šperky. Chráňte svoje vlasy, odev a rukavice pred kontaktom s točiacimi sa dielmi prístroja.**

Voľné oblečenie, šperky alebo dlhé vlasy môžu byť zachytené točiacimi sa dielmi prístroja.

- **Keď sa na prístroj môžu namontovať prípravky na odsávanie prachu a na zachytávanie prachu, presvedčite sa o tom, že sú tieto prípravky zapojené a že sa správne používajú.**

Použitie odsávania prachu môže znížiť

ohrozenie prachom.

#### 4. Použitie a zaobchádzanie s elektrickým prístrojom

- **Nepreťažujete váš nástroj. Pre svoju prácu vždy používajte správny elektrický nástroj.**

Práca s vhodným elektrickým nástrojom je dôkladnejšia a bezpečnejšia v rozmedzí uvedeného výkonu prístroja.

- **Nepoužívajte také elektrické nástroje, ktoré majú defektný vypínač.** Elektrické nástroje, na ktorých nie je možné vypnúť a zapnúť ich vypínač, sú nebezpečné a musia byť opravené.
- **Vytiahnite zástrčku von zo zásuvky a/alebo vyberte von akumulátor predtým, než budete vykonávať nastavenia na prístroji, vymieňať diely príslušenstva alebo ak chcete prístroj odložiť.**

Toto opatrenie zabráni samovoľnému nechcenému zapnutiu prístroja.

- **Nepoužívané elektrické nástroje skladujte mimo dosahu detí. Nedovoľte, aby používali prístroj také osoby, ktoré nie sú oboznámené sli tieto pokyny.**

Elektrické nástroje sú nebezpečné, keď sú používané neskúsenými osobami.

- **Dôkladne ošetríte vaše prístroje. Skontrolujte, či je funkcia všetkých pohyblivých dielov bezchybná a či nedochádza k poškodeniu, resp. či nie je ovplyvnená správna funkcia prístroja. Nechajte poškodené diely pred použitím prístroja opraviť.**

Veľa úrazov sú následkom nesprávnej údržby elektrických nástrojov.

- **Udržujte vaše rezacie nástroje vždy ostré a vo vyčistenom stave.**

Starostlivo ošetrované rezacie nástroje s ostrými reznými hranami sa menej zasekávajú a je možné ich ľahšie viesť.

- **Používajte elektrický prístroj, príslušenstvo a výmenné nástroje atď. v súlade s príslušnými pokynmi. Berte pritom ohľad na konkrétne pracovné podmienky a činnosť, ktorá sa má vykonať.**

Použitie elektrických nástrojov na iné účely

ako na tie, na ktoré boli určené, môže viesť k vážnym nebezpečným situáciám.

## 5. SERVIS

- **Nechajte váš prístroj opravovať vždy len kvalifikovaným odborným personálom a vždy len pomocou originálnych náhradných dielov.**

Tým sa zabezpečí, že ostane zachovaná bezpečnosť tohto prístroja.

### Bezpečnostné pokyny pre kladivá

- **Používajte ochranu sluchu.** Pôsobenie hluku môže spôsobiť poškodenie sluchu.
- **Používajte prídavné rukaväte, ktoré sú súčasťou dodávky prístroja.** Strata kontroly môže viesť k zraneniam.

### Špeciálne bezpečnostné predpisy

- Skontrolujte údaje pre napätie (volt) uvedené na typovom štítku.
- Pri použití predlžovacieho káblového bubna je potrebné kábel úplne odrolovať. Minimálny prierez drôtu 1,5 mm<sup>2</sup>.
- Pri použití tohto elektrického vrtacieho kladiva vo vonkajšom prostredí je potrebné pre správne pripojenie predlžovacie vedenie typu H07RN-F 3G1,5 mm<sup>2</sup> vybavené konektormi odolnými voči vode.
- Dbajte na bezpečný postoj pri ručnom vrtaní na rebríkoch alebo lešeníach.
- V stenách, kde sú položené elektrické, vodovodné alebo plynové vedenia, je potrebné najskôr tieto vedenia lokalizovať pomocou vyhľadávacieho prístroja. Zabráňte dotyku s prístrojmi alebo rozvodmi, ktorými vedie elektrický prúd.
- Kvôli chráneniu vašich uší používajte ochranu sluchu! Nebezpečenstvo postupnej straty sluchu!
- Používajte ochranné okuliare a používajte ochrannú masku proti prachu pri prašných prácach.
- Nepoužívajte v oblasti, kde sa vyskytujú výpary alebo horľavé tekutiny.
- Vytiahnite pri všetkých prestavbových a čistiacich prácach kábel von zo zásuvky.
- Chráňte elektrický kábel pred poškodením. Olej a kyseliny môžu poškodiť kábel.
- Nepreťažovať prístroj.

- **Dôležité!** Dodržiavajte všetky národné bezpečnostné predpisy vzťahujúce sa na inštaláciu, prevádzku a údržbu tohto prístroja.
- Dláto a vrták môžu pri nesprávnom používaní vyletieť von z prístroja a spôsobiť ťažké zranenia.
  - Pred pracovným použitím vždy skontrolujte, či je dláto alebo vrták správne upevnený v nástrojovom upínači.
  - Stav opotrebovania resp. možné poškodenie nástrojového upínača je potrebné pravidelne kontrolovať.
- Ak používate úderný nástroj, tak ho uveďte do pohybu len vtedy, keď ho zatlačíte na obrábaný materiál (stenu, strop a pod.).
- Po ukončenej práci odpojte vrtacie kladivo z elektrickej siete a vyberte dláto resp. vrták von z prístroja.
- Pred výmenou dláta alebo vrtáku vždy odpojte vrtacie kladivo z elektrickej siete.
- Chráňte vaše oči ako aj ostatné osoby pred odlietajúcimi čiastkami materiálu a odlamujúcimi sa telesami. Používajte ochrannú helmu! Postavte okolo pracoviska oddeľujúci plot!
- Pracovné rukavice chránia pred odreninami kože.
- Vibrácie môžu byť škodlivé pre systém hornej končatiny. Z toho dôvodu sa snažte redukovat' dobu pôsobenia vibrácii na minimum.
- Sieťový kábel ved'te vždy smerom vzad od prístroja.
- Skladujte prístroj tak, aby nebol prístupný deťom.
- Pri práci vždy držte prístroj oboma rukami a dbajte pritom na bezpečný pracovný postoj.
- Pred uvedením do prevádzky je potrebné dbať na to, aby bola na prístroji nastavená správna poloha vypínača pre práve vykonávaný druh obrábania, pretože v opačnom prípade hrozí nebezpečenstvo zranenia pri rozbehu stroja.

**Starostlivo uschovajte tieto bezpečnostné predpisy.**

**SK**

### 3. Popis prístroja (obr. 1)

1. Ochrana proti prachu
2. Upínacia hlava
3. Prídavná rukoväť
4. Aretačná skrutka pre hĺbkový doraz
5. Prepínač vrtanie/príklepové vrtanie/sekanie
6. Rukoväť
7. Prepínač pravo-/ľavotočivý pohyb
8. Aretačné tlačidlo
9. Otáčkový regulátor
10. Vypínač zap/vyp
11. Prevádzkový ukazovateľ
12. Ukazovateľ opotrebovania uhlíkových kefiiek
13. Hĺbkový doraz
14. Dodatočné rýchloupínacie skl'učovadlo
15. Prípravok na zachytenie prachu

### 4. Objem dodávky

Vyberte všetky diely von z obalu a skontrolujte, či je obsah kompletný.

- Vrtacie kladivo P-BMH 1100
- Prídavná rukoväť
- Hĺbkový doraz
- Vrtáky na kameň (6, 8, 10 mm)
- Špicaté dláto - ploché dláto
- Dodatočné rýchloupínacie skl'učovadlo
- Návod na obsluhu
- Prípravok na zachytenie prachu


### 5. Správne použitie prístroja

Prístroj je určený na vrtanie kladivom do betónu, kameniny a tehál a na prácu s dlátom pri použití príslušného vrtáku alebo dláta.

Prístroj smie byť použitý len na ten účel, na ktorý bol určený. Každé iné odlišné použitie prístroja sa považuje za nespĺňajúce účel použitia. Za škody alebo zranenia akéhokoľvek druhu spôsobené nesprávnym používaním ručí používateľ / obsluhujúca osoba, nie však výrobca.

Prosím zohľadnite skutočnosť, že správny spôsob prevádzky našich prístrojov nie je na profesionálne, remeselnícke ani priemyselné použitie. Nepreberáme žiadne záručné ručenie, ak sa prístroj bude používať v profesionálnych, remeselníckych alebo priemyselných prevádzkach ako aj na činnosti rovnocenné s takýmto použitím.

### 6. Technické údaje

Sieťové napätie:	230-240 V~ 50 Hz
Príkion:	1050 W
Otáčky vo voľnobehu:	0-1100 min <sup>-1</sup>
Počet úderov:	0-5100 min <sup>-1</sup>
Výkon vrtania betón/kameň (max):	26 mm
Trieda ochrany:	II / 
Hmotnosť:	3,6 kg

### Hlučnosť a vibrácie

Hodnoty hlučnosti a vibrácií boli merané podľa európskej normy EN 60745.

Hladina akustického tlaku L <sub>pA</sub>	91,8 dB (A)
Nepresnosť K <sub>pA</sub>	3 dB
Hladina akustického výkonu L <sub>WA</sub>	102,8 dB (A)
Nepresnosť K <sub>WA</sub>	3 dB

Vrtacie kladivo nie je určené na použitie vo vonkajšom prostredí podľa článku 3 smernice 2000/14/EC\_2005/88/EC.

#### Používajte ochranu sluchu.

Pôsobenie hluku môže spôsobiť poškodenie sluchu.

Celkové hodnoty vibrácií (súčet vektorov troch smerov) stanovené v súlade s EN 60745.

#### Príklepové vrtanie do betónu

Hodnota emisií vibrácií a<sub>h</sub> = 15,81 m/s<sup>2</sup>

Nepresnosť K = 1,5 m/s<sup>2</sup>



**Sekanie**

Hodnota emisií vibrácií  $a_h = 15,668 \text{ m/s}^2$

Nepresnosť  $K = 1,5 \text{ m/s}^2$

**⚠ Pozor!**

Hodnota vibrácií sa bude meniť v závislosti od oblasti použitia elektrického náradia a vo výnimočných prípadoch sa môže nachádzať nad udávanou hodnotou.

**Obmedzte tvorbu hluku a vibráciu na minimum!**

- Používajte len prístroje v bezchybnom stave.
- Pravidelne vykonávajte údržbu a čistenie prístroja.
- Prispôbte spôsob práce prístroju.
- Prístroj nepreťažujte.
- V prípade potreby nechajte prístroj skontrolovať.
- Prístroj vypnite, pokiaľ ho nepoužívate.
- Používajte rukavice.

**7. Pred uvedením do prevádzky****⚠ Pozor!**

Presvedčte sa pred zapojením prístroja do siete o tom, či údaje na typovom štítku prístroja súhlasia s údajmi elektrickej siete.

Skôr než začnete na prístroji robiť akékoľvek nastavenia, vytiahnite zo siete elektrický kábel.

Skontrolujte miesto použitia pomocou prístroja na vyhľadávanie rozvodov, či sa tam nenachádzajú skryté uložené elektrické vedenia, plynové a vodovodné potrubia.

**7.1 Prídavná rukoväť (obr. 2 - pol. 3)  
Vítacie kladivo používať z bezpečnostných dôvodov vždy spolu s prídavnou rukoväťou.**

Prídavná rukoväť (3) Vám poskytuje počas používania prístroja dodatočnú stabilitu. Nepoužívajte preto tento prístroj bez prídavnej rukoväte (3). Prídavná rukoväť (3) sa upevňuje na prístroji pomocou svorky. Otočením prídavnej rukoväte (3) v smere hodinových

ručičiek sa svorka dotiahne. Otočenie proti smeru hodinových ručičiek uvoľní svorku.

- Priložená prídavná rukoväť (3) sa musí najskôr namontovať. Prítom sa musí otáčaním prídavnej rukoväte (3) svorka dostatočne otvoriť, aby sa prídavná rukoväť (3) mohla nasunúť cez prístroj.
- Po nasunutí prídavnej rukoväte (3) ju nastavte do pracovnej polohy, ktorá Vám bude najviac vyhovovať.
- Teraz prídavnú rukoväť (3) opäť dotiahnite do opačného smeru, kým nie je prídavná rukoväť (3) pevne upevnená.
- Prídavná rukoväť (3) je vhodná rovnako pre pravákov ako aj ľavákov.

**7.2 Hĺbkový doraz (obr. 3 - pol. 13)**

Hĺbkový doraz (13) je držaný aretačnou skrutkou (4) na prídavnej rukoväti (3) pomocou svorky.

- Uvoľnite aretačnú skrutku (4) a nasadte hĺbkový doraz (13).
- Dajte hĺbkový doraz (13) do rovnakej roviny s vŕtačkou.
- Potiahnite hĺbkový doraz (13) dozadu, aby ste dosiahli požadovanú hĺbku vŕtania.
- Aretačnú skrutku (4) znovu pevne dotiahnite.
- Dieru vŕtajte do tedy, kým sa hĺbkový doraz (13) nedotkne obrobku.

**7.3 Nasadenie nástroja (obr. 4)**

- Pred nasadením nástroj vyčistite a stopku nástroja zľahka namažte mazivom na vŕtáky.
- Upínaciu hlavu (2) potiahnite dozadu a držte.
- Čistý nástroj zasuňte až na doraz otáčavým pohybom do uloženia nástroja. Nástroj sa sám zablokuje po pustení upínacej objímky.
- Blokovanie skontrolujte potiahnutím nástroja.

**7.4 Vybratie nástroja (obr. 5)**

Upínaciu hlavu (2) potiahnite dozadu, zadržte a vytiahnite nástroj.

**SK****7.5 Prípravok na zachytávanie prachu (obr. 8)**

Pred prácami vrtacím kladivom nasuňte cez vrták kolmo nad hlavu prípravok na zachytávanie prachu (15).

**7.6 Nasadenie dodatočného rýchlopínacieho skľučovadla (obr. 4)**

- Rýchlopínacie skľučovadlo (14) pred nasadením vyčistite a stopku rýchlopínacieho skľučovadla zľahka namažte mazivom na vrtáky.
- Upínanie hlavu (2) potiahnite dozadu a držte.
- Prachu zbavené rýchlopínacie skľučovadlo (14) zasuňte otáčavým pohybom až na doraz do uloženia nástroja. Rýchlopínacie skľučovadlo (14) sa samo zafixuje po pustení upínacej hlavy.
- Zafixovanie skontrolujte potiahnutím za rýchlopínacie skľučovadlo (14).

**7.7 Odobratie dodatočného rýchlopínacieho skľučovadla (obr. 5)**

Upínanie hlavu (2) potiahnite dozadu, zadržte a rýchlopínacie skľučovadlo odoberte.

**7.8 Nasadenie vrtáka do rýchlopínacieho skľučovadla (obr. 6-7)****⚠ Pozor!**

- Vytiahnite vždy elektrický kábel zo siete predtým, než budete vykonávať nastavenie na prístroji.
- Povoľte hĺbkový doraz (13) podľa popisu v odseku 7.2 a posuňte ho smerom k rukoväti vrtáčky. Takto sa získa voľný prístup k skľučovadlu (14).
- Otáčaním otvorte skľučovadlo (14). Otvor pre vrták musí byť dostatočne veľký, aby sa mohol vrták nasadiť.
- Vyberte vhodný vrták. Zasuňte zvolený nástroj čo najhlbšie do otvoru skľučovadla.
- Otáčaním zatvorte skľučovadlo (14). Skontrolujte, či vrták pevne sedí v skľučovadle (14).
- V pravidelných intervaloch kontrolujte pevné dotiahnutie vrtáka resp. nástroja (vytiahnite sieťový kábel!).

**8. Uvedenie do prevádzky****⚠ Pozor!**

**Aby sa zabránilo ohrozeniu, prístroj sa musí držať vždy za obidve rukoväte (3/6)!**

V opačnom prípade môže pri navrtaní vedení hroziť úder elektrickým prúdom!

**8.1 Prevádzkový ukazovateľ (obr. 1/pol. 11)**

Prevádzkový ukazovateľ (11) svieti, ak je zapojená sieťová zástrčka.

**8.2 Vypínač zap/vyp (obr. 9/pol. 10)**

- Najskôr do prístroja založte vhodný vrták (pozri 7.3).
- Zapojte sieťovú zástrčku do vhodnej zásuvky.
- Priložte vrtáčku priamo na miesto vrtania.

**Zapnutie:**

Stlačiť vypínač zap/vyp (10)

**Vypnutie:**

Pustite vypínač zap/vyp (10).

**Zapnutie trvalej prevádzky:**

Zabezpečte vypínač zap/vyp (10) pomocou aretačného tlačidla (8).

Pozor! Aretácia je možná iba v pravotočivom chode.

**Vypnutie trvalej prevádzky:**

Krátko zatlačte vypínač zap/vyp (10).

**8.3 Nastavenie otáčok (obr. 9/pol. 10)**

- Počas prevádzky môžete plynule regulovať otáčky.
- Otáčky zvolíte slabším alebo silnejším stláčaním vypínača zap/vyp (10).
- Voľba správnych otáčok: Najvhodnejšie otáčky závisia od obrobku, prevádzkového režimu a použitého vrtáku.
- Slabší tlak na vypínač zap/vyp (10): nižšie otáčky
- Silnejší tlak na vypínač zap/vyp (10): vyššie otáčky

**Tip:** Navráťte vrtacie otvory s nízkymi otáčkami. Potom postupne zvyšujte otáčky.

#### Výhody:

- Vrták je pri navrtaní ľahšie kontrolovateľný a nepošmykne sa.
- Zabráni roztriešteniu vrtacích otvorov (napr. pri kachličkách).

#### 8.4 Predvoľba otáčok (obr. 9/pol. 9)

- Nevykonávajte toto nastavenie počas vrtania.
- Nastavovací krúžok otáčok (9) vám umožňuje nastavenie maximálnych otáčok. Vypínač zap/vyp (10) sa dá takto stlačiť iba po zadané maximálne otáčky.
- Nastavte otáčky pomocou nastavovacieho krúžku (9) na vypínači zap/vyp (10).

#### 8.5 Prepínač pravo-/ľavotočivého chodu (obr. 9/pol. 7)

- **Prepínať len v nehybnom stave!**
- Pomocou prepínača pravo-/ľavotočivého chodu (7) nastavte smer pohybu príklepovej vrtáčky:

##### Smer pohybu

Pravotočivý chod  
(dopredu a vrtanie)

##### Poloha vypínača

Zatlačenie vľavo

Ľavotočivý chod (chod vzad)    Zatlačenie doprava

#### 8.6. Prepínač vrtanie/príklepové vrtanie/sekanie (obr. 10)

- Vrtanie sa spúšťa stlačením tlačidla (E) na prepínači (5) a súčasným otočením prepínača (5) do polohy A.
- Príklepové vrtanie sa spúšťa stlačením tlačidla (E) na prepínači (5) a súčasným otočením prepínača (5) do polohy B.
- Prevádzka sekania sa spúšťa stlačením tlačidla (E) na prepínači (5) a súčasným otočením prepínača (5) do polohy C. V polohe C nie je dláto zaaretované.
- Prevádzka sekania sa spúšťa stlačením tlačidla (E) na prepínači (5) a súčasným otočením prepínača (5) do polohy D. V polohe D je dláto zaaretované.

#### Pozor!

Na príklepové vrtanie potrebujete iba malú prítlačnú silu. Príliš vysoký prítlačací tlak zbytočne zaťažuje motor. Pravidelne kontrolujte vrták. Tupé vrtáky nabrúste alebo vymeňte.

## 9. Výmena sieťového prípojného vedenia

V prípade poškodenia sieťového prípojného vedenia prístroja sa musí vedenie vymeniť výrobcom alebo jeho zákazníckym zastúpením alebo podobne kvalifikovanou osobou, aby sa zabránilo rizikám.

## 10. Čistenie, údržba a objednanie náhradných dielov

#### ⚠ Pozor!

Pred všetkými údržbovými a čistiacimi prácami vytriahnite kábel zo siete.

#### 10.1 Čistenie

- Udržujte ochranné zariadenia, vzduchové otvory a ebo ho vyčistíte vyfúkaním stlačeným vzduchom pri nastavení na nízky tlak.
- Odporúčame, aby ste prístroj čistili spravidla vždy po každom použití.
- Čistite prístroj pravidelne pomocou vlhkej utierky aostriedky alebo riedidla; tieto prostriedky by mohli napadnúť umelohmotné diely prístroja. Dbajte na to, aby sa do vnútra prístroja nedostala voda.

#### 10.2 Uhlíkové kefy

Pri nadmernej tvorbe iskier alebo rozsvietení ukazovateľ a opotrebovania uhlíkových kefiiek (12) nechajte uhlíkové kefy skontrolovať odborným elektrikárom.

#### 10.3 Údržba

Vo vnútri prístroja sa nenachádzajú žiadne ďalšie diely vyžadujúce údržbu.

**SK****10.4 Objednávanie náhradných dielov:**

Pri objednávaní náhradných dielov je potrebné uviesť nasledovné údaje;

- Typ prístroja
- Výrobné číslo prístroja
- Identifikačné číslo prístroja

Aktuálne ceny a informácie nájdete na stránke [www.isc-gmbh.info](http://www.isc-gmbh.info)

**11. Likvidácia a recyklácia**

Prístroj sa nachádza v obale za účelom zabránenia poškodeniu pri transporte. Tento obal je vyrobený zo suroviny a tým pádom je ho možné znovu použiť alebo sa môže dať do zberu na recykláciu surovín.

Prístroj a jeho príslušenstvo sa skladajú z rôznych materiálov, ako sú napr. kovy a plasty. Poškodené súčiastky odovzdajte na vhodnú likvidáciu špeciálneho odpadu. Informujte sa v odbornej predajni alebo na miestnych úradoch!



Len pre krajiny EÚ

Neodstraňujte elektrické prístroje ako domový odpad.

Podľa Európskej smernice 2002/96/ES o odpade z elektrických a elektronických zariadení (OEEZ) a v súlade s národnými právnymi predpismi sa musia použité elektronické prístroje odovzdať do triedeného zberu a musí sa zabezpečiť špecifické spracovanie a recyklácia.

Recyklačná alternatíva k výzve na spätný odber výrobku:

Vlastník elektrického prístroja je alternatívne namiesto spätnej zásielky povinný spolupracovať pri riadnej recyklácii prístroja voj môže byť za týmto účelom taktiež prenechaný zbernému miestu, ktoré vykoná odstránenie v zmysle národného zákona o recyklácii a ckých komponentov.

## 12. Prehlásenie o zhode

Einhell Germany AG · Wiesenweg 22 · D-94405 Landau/Isar

**Konformitätserklärung**

- erklárt folgende Konformität gemäß EU-Richtlinie und Normen für Artikel  
 explains the following conformity according to EU directives and norms for the following product  
 déclare la conformité suivante selon la directive CE et les normes concernant l'article  
 dichiara la seguente conformità secondo la direttiva UE e le norme per l'articolo  
 verklaart de volgende overeenstemming conform EU richtlijn en normen voor het product  
 declara la siguiente conformidad a tenor de la directiva y normas de la UE para el artículo  
 declara a seguinte conformidade, de acordo com a directiva CE e normas para o artigo  
 attesterer følgende overensstemmelse i medfør af EU-direktiv samt standarder for artiklen  
 förklarar följande överensstämmelse enl. EU-direktiv och standarder för artikeln  
 vakuuttaa, että tuote täyttää EU-direktiivin ja standardien vaatimukset  
 töendab toote vastavust EL direktiivile ja standarditele  
 vydává následující prohlášení o shodě podle směrnice EU a norem pro výrobek  
 potrjuje sledečo skladnost s smernico EU in standardi za izdelke  
 vydáva nasledujúce prehlásenie o zhode podľa smernice EÚ a noriem pre výrobok  
 a cikkekhez az EU-irányvonal és Normák szerint a következő konformitást jelenti ki  
 deklaruje zgodność wymienionego poniżej artykułu z następującymi normami na podstawie dyrektywy WE.  
 декларира съответното съответствие съгласно Директива на ЕС и норми за артикул  
 paskaidro šādu atbilstību ES direktīvai un standartiem  
 apibūdina šj atitiktīgu EU reikalavimams ir prekės normoms  
 declară următoarea conformitate conform directivei UE și normelor pentru articolul  
 δηλώνει την ακόλουθη συμμόρφωση σύμφωνα με την Οδηγία ΕΚ και τα πρότυπα για το προϊόν  
 potvrđuje sljedeću usklađenost prema smjernicama EU i normama za artikl  
 potvrđuje sljedeću usklađenost prema smjernicama EU i normama za artikl  
 potvrđuje sledeću usklađenost prema smernicama EZ i normama za artikla  
 следующим удостоверяется, что следующие продукты соответствуют директивам и нормам ЕС  
 проголошує про зазначену нижче відповідність виробу директивам та стандартам ЄС на виріб  
 ja izjavуva slednata soobrznost согласно EУ-директивата и нормите за артикли  
 Ürünü ile ilgili AB direktifleri ve normları gereğince aşağıda açıklanan uygunluğu belirtir  
 erklærer følgende samsvar i henhold til EU-direktivet og standarder for artikkel  
 Lýsir uppfyllingu EU-reglna og annarra staðla vöru

**Bohrhammer P-BMH 1100 (Parkside)**

- 2009/105/EC  
 2006/95/EC  
 2006/28/EC  
 2005/32/EC  
 2004/108/EC  
 2004/22/EC  
 1999/5/EC  
 97/23/EC  
 90/396/EC  
 89/686/EC\_96/58/EC  
 2006/42/EC  
 Annex IV  
 Notified Body:  
 Notified Body No.:  
 Reg. No.:  
 2000/14/EC\_2005/88/EC  
 Annex V  
 Annex VI  
 Noise: measured  $L_{WA}$  = dB (A); guaranteed  $L_{WA}$  = dB (A)  
 P = KW; L/Ø = cm  
 Notified Body:  
 2004/26/EC  
 Emission No.:

Standard references: EN 60745-1; EN 60745-2-6;  
EN 55014-1; EN 55014-2; EN 61000-3-2; EN 61000-3-3

Landau/Isar, den 04.11.2009

  
Weichselgartner/General Manager


  
Unger/Product-Management

First CE: 08  
 Art.-No.: 42.583.76 I.-No.: 01019  
 Subject to change without notice

Archive-File/Record: 4258395-42-4155050-08  
 Documents registrar: Georg Riedel  
 Wiesenweg 22, D-94405 Landau/Isar

# 13. ZÁRUČNÝ LIST

## Vážená zákazníčka, vážený zákazník,

naše výrobky podliehajú prísnej kontrole kvality. V prípade, že nebude prístroj napriek tomu bezchybne fungovať, je nám to veľmi ľúto a prosíme Vás, aby ste sa obrátili na našu servisnú službu na adrese uvedenej na tomto záručnom liste. Radi Vám budeme k dispozícii taktiež telefonicky na uvedenom servisnom telefónnom čísle. Pri uplatňovaní nárokov na záručné plnenie platia nasledujúce podmienky:

1. Tieto záručné podmienky upravujú dodatočné záručné plnenie. Vaše zákonné nároky na záruku nie sú touto zárukou dotknuté. Naše záručné plnenie je pre Vás zadarmo.
2. Záručné plnenie sa vzťahuje výlučne len na nedostatky, ktoré sú spôsobené chybami materiálu alebo výrobnými chybami, a je obmedzené na odstránenie týchto nedostatkov resp. výmenu prístroja. Prosím, dbajte na to, že naše prístroje neboli svojim určením konštruované na profesionálne, remeselnícke ani priemyselné použitie. Táto záručná zmluva sa preto neuzatvára, ak sa prístroj bude používať v profesionálnych, remeselníckych alebo priemyselných prevádzkach ako aj na činnosti rovnocenné s takýmto použitím. Z našej záruky sú okrem toho vylúčené náhradné plnenie za škody pri transporte, škody spôsobené nedodržaním návodu na montáž alebo na základe neodbornej inštalácie, nedodržaním návodu na použitie (ako napr. pripojením na nesprávne sieťové napätie alebo druh prúdu), zneužívaním alebo nesprávnym používaním (ako napr. preťaženie prístroja alebo použitie nepripustných pracovných nástrojov alebo príslušenstva), nedodržaním pokynov pre údržbu a bezpečnostných pokynov, vniknutím cudzích telies do prístroja (ako napr. piesok, kamene alebo prach), použitím násilia alebo cudzieho pôsobenia (napr. škody spôsobené pádom), a taktiež je vylúčené bežné opotrebenie primerané použitiu. To sa týka predovšetkým akumulátorov, na ktoré napriek tomu garantujeme záručnú dobu 12 mesiacov.

Nárok na záruku zaniká, ak už boli na prístroji svojvoľne uskutočnené zásahy.

3. Doba záruky je 3 roky a začína sa dátumom nákupu prístroja. Nároky na záruku sa musia uplatniť pred koncom uplynutia záručnej doby do dvoch týždňov od zistenia nedostatku. Uplatnenie nárokov na záruku po uplynutí záručnej doby je vylúčené. Oprava alebo výmena prístroja nevedie k predĺženiu záručnej doby ani nedochádza na základe tohto plnenia ku vzniku novej záručnej doby pre prístroj ani pre akékoľvek inštalované náhradné diely. To platí taktiež pri nasadení miestneho servisu.
4. Pre uplatnenie nároku na záruku nám prosím zašlite defektný prístroj oslobodený od poštovného na dole uvedenú adresu. Priložte predajný doklad v origináli alebo iný doklad o zakúpení s dátumom. Prosím, starostlivo si preto uschovajte pokladničný blok ako doklad o zakúpení! Prosím, popíšte nám čo najpresnejšie dôvod reklamácie. Ak spadá defekt prístroja pod naše záručné plnenie, dostanete obratom naspäť opravený alebo nový prístroj.

Samozrejme Vám radi opravíme závady na prístroji na vaše náklady, ak tieto závady nespádajú alebo už nespádajú do rozsahu záruky. Prosím, pošlite nám v takom prípade prístroj na našu servisnú adresu.

### Einhell Slovakia s.r.o.

Diaľničná cesta 18

903 01 Senec

Tel.: + 421 2 209037 87/88, Fax: + 421 2 20903795

E-mail: servissk@einhell.sk

Sadržaj	Stranica
1. Uvod .....	57
2. Sigurnosne napomene .....	57-59
3. Opis uređaja.....	59
4. Sadržaj isporuke .....	59
5. Namjenska uporaba.....	60
6. Tehnički podaci .....	60
7. Prije puštanja u pogon.....	61-62
8. Puštanje u pogon .....	62-63
9. Zamjena mrežnog priključka .....	63
10. Čišćenje, održavanje i naručivanje rezervnih dijelova .....	63
11. Zbrinjavanje i recikliranje.....	64
12. Izjava o usklađenosti .....	65
13. Jamstveni list .....	66

Naknadno tiskanje ili slična umnožavanja dokumentacije i pratećih papira ovih proizvoda, čak i djelomično kopiranje, moguće je samo uz izričito dopuštenje tvrtke ISC GmbH.

Zadržavamo pravo na tehnične izmjene.

HR

## Dodatne sigurnosne napomene



„Upozorenje – pročitajte upute za uporabu kako bi se smanjio rizik ozljeđivanja“



### Nosite zaštitu za sluh.

Djelovanje buke može uzrokovati gubitak sluha.



### Nosite masku za zaštitu od prašine.

Kod obrade drva i drugih materijala može nastati po zdravlje opasna prašina. Ne smije se obradivati materijal koji sadrži azbest!



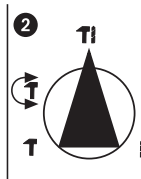
### Nosite zaštitne naočale.

Iskre koje nastaju tijekom rada ili iverje, strugotine i prašina koja izlazi iz uređaja mogu uzrokovati gubitak vida.

1



2



Da biste izbjegli oštećenje uređaja, promjenu pojedinih funkcija treba obavljati samo tijekom mirovanja.



## 1. Uvod

### ⚠ Pažnja!

Da bi se spriječila ozljedjivanja i nastanak šteta prilikom korištenja uređaja, treba se pridržavati sigurnosnih mjera opreza. Zbog toga pažljivo pročitajte ove upute za uporabu. Dobro ih sačuvajte tako da Vam informacije u svako doba budu na raspolaganju. U slučaju da uređaj trebate predati drugoj osobi, uručite joj s njime i ove upute za uporabu. Ne preuzimamo jamstvo za nesreće ili štete nastale zbog nepridržavanja ovih uputa i njihovih sigurnosnih napomena.

## 2. Sigurnosne napomene

### ⚠ UPOZORENJE!

**Pročitajte sve sigurnosne napomene i upute.**

Propusti kod pridržavanja sigurnosnih napomena i uputa mogu uzrokovati el. udar, požar i/ili teška ozljeđivanja.

**Sačuvajte sve sigurnosne napomene i upute za buduće korištenje.**

Pojam „elektroalat“, korišten u sigurnosnim napomenama, odnosi se na elektroalate koji rade na strujni pogon (s mrežnim kabelom) i akumulatorski pogon (bez mrežnog kabela).

### 1. Sigurnost radnog mjesta

- **Svoje radno područje držite čistim i radite pod dobrom rasvjetom.** Nered ili neosvijetljeno radno područje mogu uzrokovati nezgode pri radu.
- **Ne radite s uređajem u okolini gdje postoji opasnost od eksplozije i gdje se nalaze zapaljive tekućine, plinovi ili prašina.** Elektroalati stvaraju iskre koje mogu zapaliti prašinu ili pare.
- **Djecu i druge osobe držite tijekom rada podalje od elektroalata.** Prilikom skretanja možete izgubiti kontrolu nad uređajem.

## 2. ELEKTRIČNA SIGURNOST

- **Priključni utikač uređaja mora odgovarati utičnici. Utikač ne smijete ni na koji način mijenjati. Ne koristite adaptorski utikač zajedno s uređajima koji imaju zaštitno uzemljenje.** Originalni utikač i odgovarajuće utičnice smanjuju rizik od električnog udara.
- **Izbjegavajte kontakt tijela s uzemljenim površinama kao što su cijevi, grijanja, štednjaci i hladnjaci.** Ako Vaše tijelo ima kontakt s uzemljenjem, postoji povećan rizik zbog električnog udara.
- **Ne ostavljajte uređaj na kiši ili na vlazi.** Prodiranje vode u elektrouređaj povećava rizik od električnog udara.
- **Ne koristite kabel u svrhe za koje nije namijenjen da biste npr. nosili uređaj, objesili ga ili povukli utikač iz utičnice. Kabel držite podalje od vrućine, ulja, oštih rubova i pokretljivih dijelova uređaja.** Oštećeni ili zapleteni kabeli povećavaju rizik od električnog udara.
- **Radite li s elektroalatom na otvorenom, koristite samo takve produžne kabele koji su dopušteni za rad na otvorenom.** Korištenje produžnog kabela prikladnog za vanjsko područje smanjuje rizik o električnog udara.
- **Ako se ne može izbjeći rad elektroalata u vlažnoj okolini, upotrijebite zaštitnu strujnu sklopku.** Korištenje zaštitne strujne sklopke smanjuje rizik od električnog udara.

## 3. ZAŠTITA OSOBA

- **Budite pažljivi, pripazite što radite i rukovanju s elektroalatom pristupajte razumno. Ne koristite uređaj ako ste umorni ili pod utjecajem droge, alkohola ili lijekova.** Trenutak nepažnje može prilikom uporabe elektroalata uzrokovati ozbiljna ozljeđivanja.
- **Uvijek nosite osobnu zaštitnu opremu i zaštitne naočale.** Osobna zaštitna oprema kao što je maska protiv prašine, čvrsta zaštitna obuća,

zaštitni šljem ili zaštita sluha, ovisno o vrsti i korištenju elektroalata, smanjuje rizik od ozljeda.

- **Izbjegavajte nekontrolirano puštanje u rad. Prije nego ćete elektroalat priključiti na napajanje strujom i/ili baterijom, prije nego ćete ga skinuti ili nositi, provjerite je li isključen.**  
Ako prilikom nošenja uređaja držite prst na sklopki ili uključen uređaj priključite na napon, može doći do nezgode.
- **Prije nego uključite uređaj uklonite alate za podešavanje i ključeve.**  
Alat ili ključ koji se nalazi na rotacijskom dijelu uređaja može uzrokovati ozljeđivanje.
- **Izbjegavajte nenormalne položaje tijela. Pobrinite se za stabilan položaj i u svakom trenutku držite ravnotežu.**  
Na taj način bolje ćete kontrolirati uređaj u neočekivanim situacijama.
- **Nosite prikladnu odjeću. Ne nosite široku odjeću ili nakit. Kosu, odjeću i rukavice držite podalje od pokretnih dijelova.**  
Pokretni dijelovi mogu zahvatiti široku odjeću, nakit ili dugu kosu.
- **Ako se mogu montirati naprave za usisavanje i sabiranje prašine, provjerite jesu li one dobro priključene i koristite ih na ispravan način.**  
Usisavanjem prašine možete smanjiti opasnosti koje nastaju zbog stvaranja prašine.

#### 4. Korištenje i rukovanje elektroalom

- **Ne preopterećujte elektroalate. Za rad koristite odgovarajući elektroalat.**  
S odgovarajućim elektroalom radit ćete bolje i sigurnije u navedenom području snage.
- **Ne koristite elektroalat koji ima neispravnu sklopku.**  
Elektroalat koji se više ne može uključiti ili isključiti opasan je i mora se popraviti.
- **Prije nego ćete provesti podešavanja na uređaju, zamjenu dijelova pribora ili odložiti uređaj, izvucite utikač iz utičnice i/ili uklonite akumulator.**  
Takve mjere opreza smanjuju

nekontrolirano pokretanje uređaja.

- **Elektroalate koji se ne koriste čuvajte van dohvata djece. Osobe koje nisu upoznate s ovim uputama ili ih nisu pročitale, ne smiju koristiti uređaj.**  
Elektroalati su opasni ako ih koriste neiskusne osobe.
- **Pažljivo njegujte uređaj. Kontrolirajte funkcioniraju li pokretni dijelovi besprijekorno i ne zapinju li, jesu li dijelovi slomljeni ili oštećeni tako da bi mogli ugroziti funkcioniranje uređaja. Prije nego upotrijebite uređaj, oštećene dijelove predajte na popravak.**  
Uzrok mnogih nezgoda je loše održavanje elektroalata.
- **Alati za rezanje moraju biti oštri i čisti.**  
Pažljivo njegovani alati za rezanje s nabrušenim oštricama rijetko zapinju i lakše ih je voditi.
- **Elektroalat, pribor i nastavke alata itd. koristite u skladu s ovim uputama. Pri tome uzmite u obzir radne uvjete i radnju koju izvršavate.**  
Nenamjenska uporaba elektroalata može dovesti do opasnih situacija.

#### 5. SERVIS

- **Uređaj treba popravljati samo kvalificirano osoblje i samo uz uporabu originalnih rezervnih dijelova.**  
Na taj način se održava sigurnost uređaja.

#### Sigurnosne napomene za čekić

- **Nosite zaštitu za sluh.** Utjecaj buke može izazvati gubitak sluha.
- **Koristite dodatne ručke koje su isporučene s uređajem.** Gubitak kontrole može uzrokovati ozljeđivanja.

#### Dodatne sigurnosne upute:

- Provjerite napon (Volt) naveden na označnoj pločici.
- Ako koristite kabelski bubanj, cijeli kabel se mora odmotati od bubnja. Presjek žice najmanje 1,5 mm<sup>2</sup>.
- Pri upotrebi električne bušilice s čekićem na otvorenom prostoru, za priključivanje se mora koristiti ispravan produžni kabel H07RN-F 3G1,5 mm<sup>2</sup> sa spojkom koja je

zaštićena protiv prskanja vode.

- Pazite da sigurno stojite na ljestvama ili skelama kada bušilicu držite obema rukama.
- U zidovima gdje ima skrivenih električnih vodova, vodovoda ili plinovoda, prvo lokalizirajte vodove pomoću uređaja za detekciju vodova. Izbjegavajte dodir s dijelovima ili vodovima pod naponom.
- Radi zaštite sluha nosite zaštitnik za uši: inače prijete postepeni gubitak sluha!
- Nosite zaštitne naočale, te masku za disanje pri radovima kod kojih se stvara prašina.
- Ne koristite bušilicu u blizini isparivanja i zapaljivih tekućina.
- Prilikom svih radova preuredjivanja i čišćenja izvadite utikač iz utičnice.
- Čuvajte kabel od oštećenja. Ulje i kiselina mogu oštetiti kabel.
- Nemojte preopteretiti stroj.
- Važno!  
Moraju se poštivati svi domaći sigurnosni propisi glede instalacije, rada i održavanja.
- Dlijeta i svrdla se pogreškom mogu izbacivati iz alata i prouzročiti teške ozljede:
  - Prije početka rada uvijek provjerite da li je dlijeto ili svrdlo aretirano u prihvatu alata.
  - Redovno kontrolirajte da li je prihvat alata istrošen ili oštećen.
- Udarajući alat uključite samo kada je pritisnut na izradak (zid, strop itd.)
- Nakon završenog posla izvadite utikač iz utičnice, te dlijeto ili svrdlo iz bušilice.
- Prije zamjenjivanja dlijeta ili svrdla uvijek izvadite utikač iz utičnice.
- Čuvajte oči i suradnike od letećih čestica i disperzije stranih tijela. Nosite zaštitnu kacigu! Postavite pregrade!
- Zaštitne rukavice štite od ogrebotina.
- Vibracije mogu biti štetne za ruke: vrijeme djelovanja vibracija mora biti što kraće.
- Priključni kabel uvijek položite na stražnjoj strani stroja.
- Čuvajte uređaj tako da je nedostupan za djecu.
- Za vrijeme rada, uređaj uvijek držite obema rukama i pazite da sigurno stojite.
- Prije puštanja uređaja u rad obratite pažnju

na to da sklopka na uređaju bude u položaju pravilnom za namjeravanu obradu, jer u suprotnom nam prijete opasnost od povreda kod pokretanja stroja.

**Dobro čuvajte ove sigurnosne upute.**

### 3. Opis uređaja (slika 1)

1. Zaštita od prašine
2. Čahura za blokadu
3. Dodatna ručka
4. Vijak za učvršćivanje graničnika dubine.
5. Preklopnik bušenje/udarno bušenje/klesanje
6. Ručka
7. Preklopnik za desni/lijevi smjer vrtnje
8. Gumb za fiksiranje
9. Regulator broja okretaja
10. Sklopka za uključivanje/isključivanje
11. Pokazivač pogona
12. Indikator istrošenosti ugljenih četkica
13. Graničnik dubine
14. Dodatni zaglavnik za brzo pritezanje svrdla
15. Naprava za sakupljanje prašine

### 4. Sadržaj isporuke

Izvadite sve dijelove iz pakiranja i provjerite cjelovitost sadržaja.

- Čekić za bušenje P-BMH 1100
- Dodatna ručka
- Graničnik dubine
- Svrdlo za kamen (6, 8, 10 mm)
- Šiljasto - ravno dlijeto
- Dodatni zaglavnik za brzo pritezanje svrdla
- Upute za uporabu
- Naprava za sakupljanje prašine

**HR**


## 5. Namjenska uporaba

Uređaj je namijenjen za udarno bušenje u betonu, kamenu, cigli i za klesarske radove uz korištenje odgovarajućeg svrdla ili dljeteta.

Stroj se smije koristiti samo u skladu s namjenom. Svaka drukčija uporaba izvan ovih okvira nije namjenska. Za štete ili ozljeđivanja bilo koje vrste koje bi iz toga proizašle ne odgovara proizvođač nego korisnik.

Molimo da obratite pažnju na to da naši uređaji nisu konstruirani za korištenje u komercijalne svrhe kao ni u obrtu i industriji. Ne preuzimamo jamstvo ako se uređaj koristi u obrtničkim ili industrijskim pogonima i sličnim djelatnostima.

## 6. Tehnički podaci

Mrežni napon:	230-240 V~ 50 Hz
Snaga:	1050 W
Broj okretaja u praznom hodu:	0-1100 min <sup>-1</sup>
Broj udara:	0-5100 min <sup>-1</sup>
Učin bušenja u betonu /kamenu (maks.):	26 mm
Klasa zaštite:	II / 
Težina:	3,6 kg

## Buka i vibracije

Vrijednosti buke i vibracija određene su prema normi EN 60745.

Razina zvučnog tlaka $L_{pA}$	91,8 dB (A)
Nesigurnost $K_{pA}$	3 dB
Intenzitet buke $L_{WA}$	102,8 dB (A)
Nesigurnost $K_{WA}$	3 dB

Čekić za bušenje nije namijenjen za korištenje na otvorenom prema članu 3 odredbe 2000/14/EC\_2005/88/EC.

60

### Nosite zaštitu za sluh.

Buka može utjecati na gubitak sluha.

Ukupne vrijednosti vibracija (vektorski zbroj triju pravaca) određene su prema normi EN 60745.

### Udarno bušenje u betonu

Vrijednost emisije vibracija  $a_h = 15,81 \text{ m/s}^2$

Nesigurnost  $K = 1,5 \text{ m/s}^2$

### Klesanje

Vrijednost emisije vibracija  $a_h = 15,668 \text{ m/s}^2$

Nesigurnost  $K = 1,5 \text{ m/s}^2$

### ⚠ Pozor!

Vrijednost vibracija mijenja se zbog područja korištenja elektroalata i u iznimnim slučajevima može se nalaziti iznad zadane vrijednosti.

### Ograničite stvaranje buke i vibracija na minimum!

- Koristite samo besprijeorne uređaje.
- Redovito čistite i održavajte uređaj.
- Svoj način rada prilagodite uređaju.
- Nemojte preopterećivati uređaj.
- Po potrebi predajte uređaj na kontrolu.
- Isključite uređaj kad ga ne koristite.
- Nosite zaštitne rukavice.

## 7. Prije puštanja u pogon

### ⚠ **Pozor!**

Prije uključivanja provjerite odgovaraju li podaci na tipskoj pločici podacima o mreži.

Prije nego počnete podešavati uređaj izvucite utikač iz utičnice.

Uređajem za traženje vodova ispitajte ima li na mjestu bušenja skrivenih električnih vodova, plinskih i vodovodnih cijevi.

### 7.1 Dodatna ručka (sl. 2 - poz. 3)

**Čekić za bušenje mora se, zbog sigurnosnih razloga, koristiti samo s dodatnom ručkom.**

Dodatna ručka (3) služi tijekom korištenja stroja kao dodatno uporište. Zbog toga uređaj nikad nemojte koristiti bez dodatne ručke (3). Ona (3) se pričvršćuje na stroj pomoću stezaljke. Okretanjem dodatne ručke (3) u smjeru kazaljke na satu stezaljka se steže. Okretanjem u smjeru suprotnom od kazaljke na satu stezaljka se otpušta.

- Najprije morate montirati priloženu dodatnu ručku (3). U tu svrhu okretanjem ručke (3) otvorite stezaljku toliko da se dodatna ručka (3) može povući preko stroja.
- Kad stavite dodatnu ručku (3) zakrenite je u za Vas najugodniji radni položaj.
- Sad ponovno pritegnite dodatnu ručku (3) u suprotnom smjeru tako da se učvrsti.
- Dodatna ručka (3) prikladna je za dešnjake i ljevake.

### 7.2 Graničnik dubine (sl. 3 - poz. 13)

Graničnik dubine (13) drži vijak za fiksiranje (4) na dodatnoj ručki (3).

- Otpustite vijak za fiksiranje (4) i umetnite graničnik dubine (13).
- Podesite graničnik dubine (13) na istu razinu sa svrdlom.
- Povucite graničnik dubine (13) natrag za željenu dubinu bušenja.
- Ponovno pritegnite vijak za fiksiranje (4).
- Sad bušite rupu tako da graničnik dubine (13) dodirne radni komad.

### 7.3 Umetanje alata (sl. 4)

- Prije korištenja očistite alat i tijelo mu malo podmažite strojnim mazivom.
- Povucite čahuru za blokadu (2) natrag i držite je.
- Umetnite alat očišćen od prašine u njegov prihvatnik do kraja. Alat se učvršćuje automatski, čim pustite čahuru za učvršćivanje.
- Povlačenjem provjerite učvršćenost alata.

### 7.4 Skidanje alata (sl. 5)

Povucite čahuru za blokadu (2) natrag, držite je i izvadite alat.

### 7.5 Naprava za usisavanje prašine (sl. 8)

Prije rada s čekićem za bušenje okomito iznad glave navucite napravu za usisavanje prašine (15) preko svrdla.

### 7.6 Umetanje dodatnog zaglavnik za brzo pritezanje svrdla (sl. 4)

- Prije umetanja očistite zaglavnik za brzo pritezanje svrdla (14) i tijelo mu malo podmažite mazivom.
- Povucite čahuru za blokadu (2) natrag i držite je.
- Okretanjem umetnite od prašine očišćen zaglavnik za brzo pritezanje svrdla (14) u njegov prihvatnik do kraja. Zaglavnik (14) se učvršćuje automatski, čim pustite čahuru za učvršćivanje.
- Povlačenjem provjerite učvršćenost zaglavnik (14).

### 7.7 Skidanje dodatnog zaglavnik za brzo pritezanje svrdla (sl. 5)

Povucite čahuru za blokadu (2) natrag, držite je i izvadite nazubljeni zaglavnik za brzo pritezanje svrdla.

### 7.8 Umetanje svrdla u zaglavnik za brzo pritezanje svrdla (slika 6-7)

#### ⚠ **Pozor!**

- Prije nego počnete podešavati uređaj, uvijek izvucite mrežni utikač.
- Otpustite graničnik dubine (13) kao što je opisano u 7.2 i pomaknite ga u smjeru ručke. Na taj način imat ćete slobodan

pristup zaglavniku svrdla (14).

- Odvrnite zaglavnik za svrdlo (14). Otvor za svrdlo mora biti dovoljno velik da prihvati svrdlo.
- Odaberite prikladno svrdlo. Gurnite alat što dublje u otvor zaglavnika.
- Zavrnite zaglavnik za svrdlo (14). Provjerite je li svrdlo čvrsto fiksirano u zaglavniku (14).
- U pravilnim razmacima provjeravajte fiksiranost svrdla odn. alata (izvucite mrežni utikač!).

## 8. Puštanje u pogon

### ⚠ Pozor!

**Da bi se izbjegla opasnost, stroj smijete držati samo za obje ručke (3/6)! U suprotnom prilikom bušenja u vodove može doći do električnog udara!**

### 8.1 Indikator pogona (sl. 1/poz. 11)

Kad je mrežni utikač utaknut, svijetli indikator pogona (11).

### 8.2 Sklopka za uključivanje/isključivanje (slika 9/poz. 10)

- Najprije umetnite prikladno svrdlo u alat (vidi 7.3).
- Utaknite mrežni utikač u prikladnu utičnicu.
- Postavite bušilicu direktno na mjesto bušenja.

### Uključivanje:

Pritisnite sklopku za uključivanje/isključivanje (10).

### Uključivanje trajnog pogona:

Pustite sklopku za uključivanje/isključivanje (10).

### Isključivanje trajnog pogona:

Osigurajte sklopku za uključivanje/isključivanje (10) gumbom za fiksiranje (8).

Pozor! Aretacija je moguća samo u desnom smjeru vrtnje.

### Isključivanje:

Nakratko pritisnite sklopku za uključivanje/isključivanje (10).

### 8.3 Podešavanje broja okretaja (slika 9/poz. 10)

- Za vrijeme pogona možete kontinuirano mijenjati broj okretaja.
- Broj okretaja mijenjate slabijim ili jačim pritiskom na sklopku za uključivanje/isključivanje (10).
- Odabir pravilnog broja okretaja: Najprikladniji broj okretaja ovisi o radnom komadu, vrsti pogona i o korištenom svrdlu.
- Manji pritisak na sklopku za uključivanje/isključivanje (10): manji broj okretaja
- Veći pritisak na sklopku za uključivanje/isključivanje (10): veći broj okretaja

**Savjet:** Rupe počnite bušiti s manjim brojem okretaja. Zatim postupno povećavajte broj okretaja.

### Prednosti:

- Na početku bušenja svrdlo ćete lakše kontrolirati i ono neće skliznuti.
- Izbjeći ćete deformiranje rupa (npr. kod keramičkih pločica).

### 8.4 Biranje broja okretaja (slika 9/poz. 9)

- Ovo nemojte podešavati za vrijeme bušenja.
- Regulator broja okretaja (9) Vam omogućava definiranje broja okretaja. Sklopka za uključivanje/isključivanje (10) može se pritisnuti samo do maksimalnog broja okretaja.
- Podesite broj okretaja pomoću prstena (9) na sklopki za uključivanje/isključivanje (10).

### 8.5 Preklopnik za desni/lijevi smjer vrtnje (slika 9/poz. 7)

- **Smjerove vrtnje mijenjajte samo kad uređaj ne radi!**
- Pomoću preklopnika (7) podesite smjer vrtnje udarnog svrdla:

**Smjer vrtnje**

Desni  
(vrtnja naprijed i bušenje)

**Položaj sklopke**

pritisnuta lijevo

Lijevi (vrtnja unatrag)

pritisnuta desno

**8.6 Preklopnik bušenje/udarno bušenje/klesanje (sl. 10)**

- Za bušenje pritisnite tipku (E) na preklopniku (5) i istovremeno okrenite preklopnik (5) u položaj A.
- Za udarno bušenje pritisnite tipku (E) na preklopniku (5) i istovremeno okrenite preklopnik (5) u položaj B.
- Za klesanje pritisnite tipku (E) na preklopniku (5) i istovremeno okrenite preklopnik (5) u položaj C. U položaju C dljeto nije aretirano.
- Za klesanje pritisnite tipku (E) na preklopniku (5) i istovremeno okrenite preklopnik (5) u položaj D. U položaju D dljeto je aretirano.

**Pozor!**

Za udarno bušenje trebate izvršiti samo mali pritisak. Preveliki pritisak nepotrebno preopterećuje motor. Redovito provjeravajte svrdlo. Nabusite ili zamijenite tupo svrdlo.

**9. Zamjena mrežnog priključka**

Ako se ošteti mrežni priključni vod ovog uređaja, zamijeniti ga mora proizvođač ili njegova servisna služba ili slična kvalificirana osoba, kako bi se izbjegle opasnosti.

**10. Čišćenje, održavanje i narudžba rezervnih dijelova****⚠ Pozor!**

Prije svih radova čišćenja izvucite mrežni utikač.

**10.1 Čišćenje**

- Zaštitne naprave, otvore za zrak i kućište motora držite što čišćima od prašine i prljavštine. Istrljajte uređaj čistom krpom ili ga ispušite komprimiranim zrakom pod niskim tlakom.
- Preporučujemo da uređaj očistite nakon svake uporabe.
- Redovito čistite uređaj vlažnom krpom i s malo sapunice. Ne koristite sredstva za čišćenje ni otapala; ona mogu oštetiti plastične dijelove uređaja. Pripazite na to da u unutrašnjost uređaja ne dospije voda.

**10.2 Ugljene četkice**

U slučaju prekomjernog iskrenja ili ako je reagirao signal za istrošenost četkica (12), predajte stroj električaru da provjeri ugljene četkice.

**10.3 Održavanje**

U unutrašnjosti uređaja nalaze se dijelovi koje treba održavati.

**10.4 Narudžba rezervnih dijelova:**

Prilikom naručivanja rezervnih dijelova su potrebni slijedeći podaci:

- Tip uređaja
- Broj artikla uređaja
- Ident. broj uređaja

Aktualne cijene i informacije potražite na web-adresi [www.isc-gmbh.info](http://www.isc-gmbh.info)

**HR**

## 11. Zbrinjavanje i recikliranje

Uredjaj se nalazi u pakovanju koje ga štiti od oštećenja prilikom transporta. Ovo pakovanje je sirovina i zato se može ponovno upotrijebiti ili poslati na reciklažu.

Uredjaj i njegov pribor izradjeni su od različitih materijala kao npr. metala i plastike.

Neispravne sastavne dijelove otpremite na mjesta za zbrinjavanje posebnog otpada.

Informacije potražite u specijaliziranoj trgovini ili nadležnoj općinskoj upravi.



Samo za zemlje Europske zajednice

Elektroalate ne bacajte u kućno smeće.

U skladu s europskom odredbom 2002/96/EG o starim električnim i elektroničkim uređajima i njezinom primjenom u okviru državnog prava, istrošeni elektroalati moraju se odvojeno sakupiti i zbrinuti na ekološki način u svrhu recikliranja.

Alternativa s recikliranjem u odnosu na zahtjev za povrat uređaja:

Vlasnik elektrouređaja alternativno je obvezan da umjesto povrata robe u slučaju odricanja vlasništva sudjeluje u stručnom zbrinjavanju elektrouređaja. Stari uređaj može se u tu svrhu prepustiti i stanici za preuzimanje rabljenih uređaja koja će provesti uklanjanje u smislu državnog zakona o recikliranju i otpadu. Zakonom nisu obuhvaćeni dijelovi pribora ugrađeni u stare uređaje i pomoćni materijali bez električnih elemenata.



## 12. Izjava o usklađenosti

Einhell Germany AG · Wiesenweg 22 · D-94405 Landau/Isar

**Konformitätserklärung**

- erklårt folgende Konformität gemäß EU-Richtlinie und Normen für Artikel  
 explains the following conformity according to EU directives and norms for the following product  
 déclare la conformité suivante selon la directive CE et les normes concernant l'article  
 dichiara la seguente conformità secondo la direttiva UE e le norme per l'articolo  
 verklaart de volgende overeenstemming conform EU richtlijn en normen voor het product  
 declara la siguiente conformidad a tenor de la directiva y normas de la UE para el artículo  
 declara a seguinte conformidade, de acordo com a directiva CE e normas para o artigo  
 attesterer følgende overensstemmelse i medfør af EU-direktiv samt standarder for artiklen  
 förklarar följande överensstämmelse enl. EU-direktiv och standarder för artikeln  
 vakuuttaa, että tuote täyttää EU-direktiivin ja standardien vaatimukset  
 toendab toote vastavust EL direktiivile ja standarditele  
 vydává následující prohlášení o shodě podle směrnice EU a norem pro výrobek  
 potrjuje sledečo skladnost s smernico EU in standardi za izdelke  
 vydáva nasledujúce prehlásenie o zhode podľa smernice EÚ a noriem pre výrobok  
 a cikkekhez az EU-irányvonal és Normák szerint a következő konformitást jelenti ki  
 deklaruje zgodność wymienionego poniżej artykułu z następującymi normami na podstawie dyrektywy WE.  
 декларира съответното съответствие съгласно Директива на ЕС и норми за артикул  
 paskaidro šādu atbilstību ES direktīvai un standartiem  
 apibūdina šj atitikamā EU reikalavimams ir prekės normoms  
 declară următoarea conformitate conform directivei UE și normelor pentru articolul  
 δηλώνει την ακόλουθη συμμόρφωση σύμφωνα με την Οδηγία ΕΚ και τα πρότυπα για το προϊόν  
 potvrđuje sljedeću usklađenost prema smjernicama EU i normama za artikl  
 potvrđuje sljedeću usklađenost prema smjernicama EU i normama za artikl  
 potvrđuje sledeću usklađenost prema smernicama EZ i normama za artikla  
 следующим удостоверяется, что следующие продукты соответствуют директивам и нормам ЕС  
 проголошує про зазначену нижче відповідність виробу директивам та стандартам ЄС на виріб  
 ja izjavуva slednata soobrznost согласно EY-direktivata i normite za artikli  
 Ürünü ile ilgili AB direktifleri ve normları gereğince aşağıda açıklanan uygunluğu belirtir  
 erklærer følgende samsvar i henhold til EU-direktivet og standarder for artikkel  
 Lýsir uppfyllingu EU-reglna og annarra staðla vöru

**Bohrhammer P-BMH 1100 (Parkside)**

- 2009/105/EC  
 2006/95/EC  
 2006/28/EC  
 2005/32/EC  
 2004/108/EC  
 2004/22/EC  
 1999/5/EC  
 97/23/EC  
 90/396/EC  
 89/686/EC\_96/58/EC  
 2006/42/EC  
 Annex IV  
 Notified Body:  
 Notified Body No.:  
 Reg. No.:  
 2000/14/EC\_2005/88/EC  
 Annex V  
 Annex VI  
 Noise: measured  $L_{WA}$  = dB (A); guaranteed  $L_{WA}$  = dB (A)  
 P = KW; L/Ø = cm  
 Notified Body:  
 2004/26/EC  
 Emission No.:

Standard references: EN 60745-1; EN 60745-2-6;  
EN 55014-1; EN 55014-2; EN 61000-3-2; EN 61000-3-3

Landau/Isar, den 04.11.2009

  
Weichselgartner/General Manager


  
Unger/Product-Management

First CE: 08

Art.-No.: 42.583.76 I.-No.: 01019

Subject to change without notice

Archive-File/Record: 4258395-42-4155050-08

Documents registrar: Georg Riedel  
Wiesenweg 22, D-94405 Landau/Isar

# 13. JAMSTVENI LIST

## Poštovani kupče,

naši proizvodi podliježu strogoj kontroli kvalitete. Žao nam je ako bi ipak došlo do toga da uređaj ne funkcionira besprijekorno i zamolili bismo Vas da se u tom slučaju obratite na adresu naše servisne službe navedenu ispod ovog jamstva. Također smo Vam na raspolaganju na dolje navedenom telefonskom broju servisne službe. Za traženje jamstvenog zahtjeva vrijedi sljedeće:

1. Ovi jamstveni uvjeti reguliraju dodatne jamstvene usluge. Ovo jamstvo ne zadire u Vaše zakonsko pravo zahtjeva za ostvarenje jamstvenih usluga. Realizacija jamstvenih usluga je besplatna.
2. Jamstvena usluga obuhvaća isključivo nedostatke nastale zbog greške na materijalu ili tijekom proizvodnje i ograničen je na uklanjanje tih nedostataka odnosno zamjenu uređaja. Molimo da obratite pažnju na to da naši uređaji nisu konstruirani za korištenje u komercijalne svrhe niti u obrtu i industriji. Prema tome, ugovor o jamstvu ne može se ostvariti ako se uređaj koristi u obrtničkim ili industrijskim pogonima kao i u sličnim djelatnostima. Nadalje su iz jamstva isključene usluge zamjene proizvoda u slučaju transportnih oštećenja, šteta zbog nepridržavanja uputa za montažu ili zbog nestručne instalacije, nepridržavanja uputa za uporabu (kao npr. zbog priključka na pogrešni mrežni napon ili vrstu struje), zbog zlorababa ili nestručnih primjena (kao npr. preopterećenje uređaja ili korištenje nedopuštenih alata ili pribora), u slučaju nepridržavanja uputa za održavanje i sigurnosnih odredbi, zbog prodiranja stranih tijela u uređaj (npr. pijeska, kamenja ili prašine), nasilne primjene ili vanjskih utjecaja (kao npr. oštećenja zbog pada) kao i zbog uobičajenog trošenja tijekom korištenja. To naročito vrijedi za baterije za koje ipak dajemo jamstvo od 12 mjeseci.

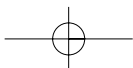
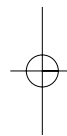
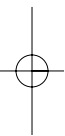
Zahtjev za jamstvo prestaje biti valjan ako su na uređaju već izvršeni neki zahvati.

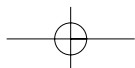
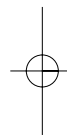
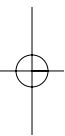
3. Jamstveni rok iznosi 3 godine a započinje s datumom kupnje uređaja. Jamstveni zahtjevi ostvaruju se prije isteka jamstvenog roka unutar dvije godine nakon što ste uočili kvar. Ostvarenje jamstvenog zahtjeva nakon isteka jamstvenog roka je isključeno. Popravkom ili zamjenom uređaja ne produljuje se jamstveni rok niti se tom uslugom ostvaruju jamstveni rok za uređaj ili ostale ugrađene rezervne dijelove. To također vrijedi i kod korištenja servisa na licu mjesta.
4. Da biste ostvarili svoj jamstveni zahtjev, molimo Vas da nam pošaljete neispravan uređaj bez plaćanja poštarine na dolje navedenu adresu. Priložite originalni račun za kupnju uređaja ili neki drugi dokaz o kupnji s datumom. Molimo Vas da zbog tog razloga dobro sačuvate račun kao dokaz! Što točnije opišite razlog reklamacije. Ako naša jamstvena usluga obuhvaća kvar nastao na Vašem uređaju, odmah ćemo Vam vratiti popravljenu ili novi uređaj.

Razumljivo je da ćemo za naknadu troškova ukloniti i kvarove koje jamstvena usluga ne obuhvaća. U tom slučaju pošaljite uređaj na adresu našeg servisa.

**Einhell Croatia d.o.o.**  
Velika Ves 2  
HR-49224 Lepajci  
Tel. 049 342 444 · Fax 049 342 392









IAN: 46172

**Einhell Germany AG**

Wiesenweg 22

D-94405 Landau/Isar

Last Information Update · Stan informacii · Stav informací

Stav informácií · Stanje informacija: 11/2009

Ident.-No.: 42.583.76 112009 - 4

