

OPERATION

The sharpening process consists of two operations. These are, setting to the left, and then setting the right. It is suggested that you sharpen all of the teeth that face one side (every second tooth) and then proceed to sharpen all the teeth on the opposite side.

It is important to always ensure the tooth is correctly located against the chain stop, the chain is correctly locked in place, the initial set-up as previously described has been correctly carried out, and the correct safety gear is being worn.

With the chain correctly aligned against the chain stop and the depth stop set (refer to **Setting of the sharpener** instructions prior to the operation), start the tool whilst standing to one side of the sharpening wheel and allow the motor to run for several seconds (allowing the motor to get up to full speed).

Check the above settings by carefully lowering the sharpening wheel down the face of the tooth until the hand-piece comes to a stop.

As the sharpening wheel passes down the face of the tooth, it should be a light even pass.

DO NOT attempt to try and make a heavy pass. It should be a very light "brush" of the front face of the tooth. If the cut is too heavy, stop and allow the hand-piece to rise back up, and turn the tool off. If the pass was too heavy, adjust the chain stop adjusting knob in an anti-clockwise direction slightly (suggest no more than 1/8 of a turn). Then tighten the chain stop adjusting locking knob.

Once sharpening of the tooth completed, rotate the guide clamp lever fully to the left to unlock the chain clamp (sliding guide).

Slide the chain to the right, allowing the chain stop to ride over the links and teeth until the next tooth (orientated the same as the first tooth) rides under the stop.

When the tooth slides under the chain stop, gently slide the chain to the left so the stop engages and locates the tooth.

With the rear of the tooth firmly located, lock the clamping lever, and repeat the cutting test. If the sharpening wheel is not grinding a sufficient amount off the face of the tooth, repeat the above adjustment but rotate the chain stop adjustment knob clockwise.

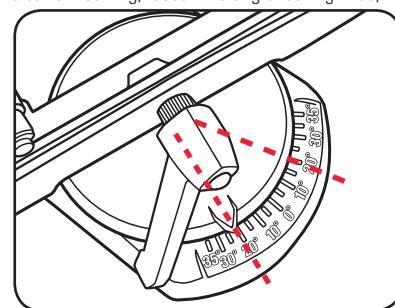
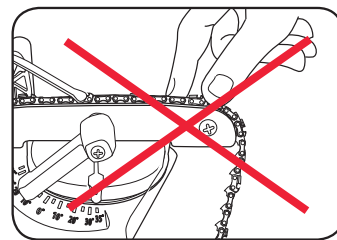
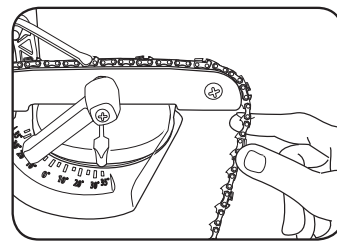
Lower the hand-piece (in effect lowering the wheel) fully until the wheel reaches the bottom of the tooth. Check to ensure the sharpening wheel has not cut into the chain link.

If the sharpening wheel touches the chain link, re-set the stop by adjusting the depth of grind knob in a clockwise direction (suggest 1/8 turn at a time). Re-test after each adjustment.

Note: Movement of the chain through the chain clamp (sliding guide) should be from the HANGING chain as shown. Movement of the chain should NOT be from the top of the clamp area. To move the chain, the clamp lever should be loosened then gently pull downwards on the hanging chain. After the tooth to be sharpened has passed under the stop, gently pull the chain via the hanging chain to the left until the stop locates the chain tooth. Always select the correct orientated tooth for the set up for the table.

Sharpening teeth in opposite direction

- Ensure the sharpener is turned off and the wheel is not rotating.
- Check the angle of the table of the current setting, loosen the angle locking knob, and rotate the table to the opposite side, but to the same corresponding angle.
- Lock the angle locking knob firmly.
- Using the same method above, release the clamping lever and move the chain to the right and locate the first chain tooth with the opposite orientation from the first sharpening process. The settings should be the same, however when making the first cut always take care and check the amount being cut off the tooth, and also the depth of the cut. Check both of these settings and adjust accordingly.

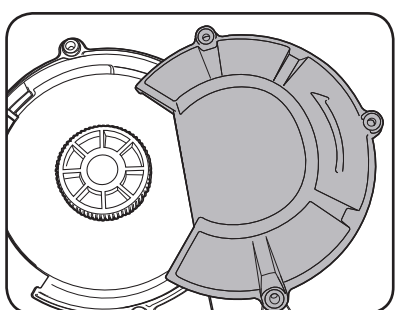
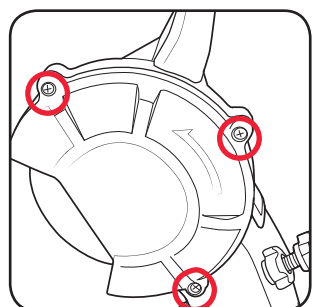


MAINTENANCE

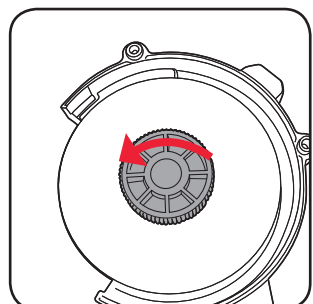
5. WHEEL CHANGE

Removing sharpening wheel

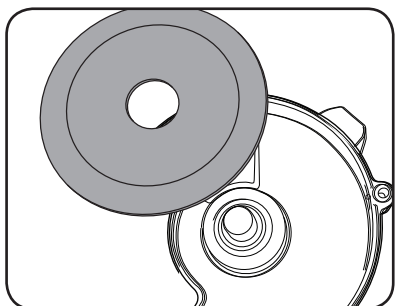
- Remove battery from the sharpener.
- Remove the 3 screws holding the wheel cover to the sharpener housing.
- Lift off the cover.



- Hold the wheel with one hand and using the free hand turn the knob at the centre of the wheel anti clockwise. Remove the knob.

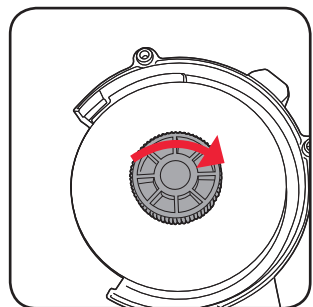


- Remove the wheel and replace with a new one.



Fitting a sharpening wheel

- Replace a new wheel over the spindle.
- Replace the locking knob and screw clockwise (hold the wheel with the free hand to ensure the locking knob can be tightened properly).
- Replace the cover.
- Secure cover by fixing the 3 screws through the cover back into the sharpener housing.



General maintenance

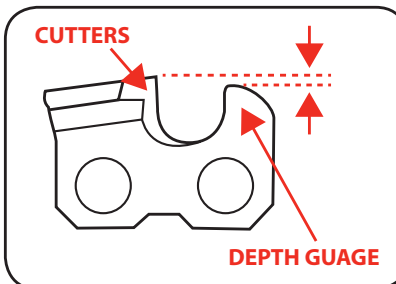
Keep the Sharpener clean and free of dust, metal debris and dirt. Check the sharpening wheel before each use to make sure it isn't damaged. Do not use a sharpening wheel if it is chipped, cracked, or worn. You can check if the wheel has cracks not visible to the human eye by hanging it up by the central hole and tapping it with a non metal object (ie. screwdriver handle). If it is in good condition it will produce a metallic sound. A dull sound indicates a crack or break. Replace the sharpening wheel when it grinds down to a diameter of 3 inches.

Filing the chain depth

If the chain has been repeatedly sharpened, the chain depth limiting gauges (depth gauge) may need to be filed down with a flat file (not included).

The depth of the depth gauges should be NO more than 0.5mm below the cutters.

Always disconnect the battery from the sharpener prior to making any adjustments or performing any maintenance. Ensure replacement wheels are rated at 6,500/min or higher. Using a wheel rated below the speed of the sharpener is a hazard. Periodically check that all nuts, bolts and other fixings are properly tightened.



Note: Ozito Industries will not be responsible for any damage or injuries caused by repair of the tool by an unauthorised person or mishandling or mistreatment of the tool. This tool is designed for DIY use - use in commercial or industrial environments will void the warranty

SPARE PARTS

Spare parts can be ordered from the Special Orders Desk at your local Bunnings Warehouse or Homebase store. For further information, or any parts visit www.ozito-diy.co.uk or contact Ozito Customer Service: Great Britain: 0151 294 4488 Ireland: 1850 882711 E-mail: enquires@ozito-diy.co.uk

ELECTRICAL SAFETY

WARNING! When using mains-powered tools, basic safety precautions, including the following, should always be followed to reduce risk of fire, electric shock, personal injury and material damage. Read the whole manual carefully and make sure you know how to switch the tool off in an emergency, before operating the tool. Save these instructions and other documents supplied with this tool for future reference. Before you connect the charger to the mains supply make sure that the data on the rating plate are identical to the mains data.

This tools charger is double insulated, therefore no earth wire is required.

GENERAL POWER TOOL SAFETY WARNINGS

- WARNING!** Read all safety warnings and all instructions. Failure to follow the warnings and instructions may result in electric shock, fire and/or serious injury. **Save all warnings and instructions for future reference. The term "power tool" in the warnings refers to your mains-operated (corded) power tool or battery-operated (cordless) power tool.**
- Work area safety**
 - Keep work area clean and well lit. Cluttered or dark areas invite accidents.
 - Do not operate power tools in explosive atmospheres, such as in the presence of flammable liquids, gases or dust. Power tools create sparks which may ignite the dust or fumes.
 - Keep children and bystanders away while operating a power tool. Distractions can cause you to lose control.
 - Electrical safety**
 - Power tool plugs must match the outlet. Never modify the plug in any way. Do not use any adapter plugs with earthed (grounded) power tools. Unmodified plugs and matching outlets will reduce risk of electric shock.
 - Avoid body contact with earthed or grounded surfaces, such as pipes, radiators, ranges and refrigerators. There is an increased risk of electric shock if your body is earthed or grounded.
 - Do not expose power tools to rain or wet conditions. Water entering a power tool will increase the risk of electric shock.
 - Do not abuse the cord. Never use the cord for carrying, pulling or unplugging the power tool. Keep cord away from heat, oil, sharp edges or moving parts. Damaged or entangled cords increase the risk of electric shock.
 - When operating a power tool outdoors, use an extension cord suitable for outdoor use.
 - Use of a cord suitable for outdoor use reduces the risk of electric shock.
 - If operating a power tool in a damp location is unavoidable, use a residual current device (RCD) protected supply. Use of an RCD reduces the risk of electric shock.
 - Personal safety**
 - Stay alert, watch what you are doing and use common sense when operating a power tool. Do not use a power tool while you are tired or under the influence of drugs, alcohol or medication. A moment of inattention while operating power tools may result in serious personal injury. Use personal protective equipment. Always wear eye protection. Protective equipment such as dust mask, non-skid safety shoes, hard hat, or hearing protection used for appropriate conditions will reduce personal injuries.
 - Prevent unintentional starting. Ensure the switch is in the off-position before connecting to power source and/or battery pack, picking up or carrying the tool. Carrying power tools with your finger on the switch or energising power tools that have the switch on switch triggers.
 - Remove any adjusting key or wrench before turning the power tool on. A wrench or a key left attached to a rotating part of the power tool may result in personal injury.
 - Do not overreach. Keep proper footing and balance at all times. This enables better control of the power tool in unexpected situations.

If the supply cord is damaged, it must be replaced by an electrician or a power tool repairer in order to avoid a hazard. **Note:** Double insulation does not take the place of normal safety precautions when operating this tool. The insulation system is for added protection against injury resulting from a possible electrical insulation failure within the tool. The power supply for this products charger should be protected by a residual current device (rated at 30mA or less). A residual current device reduces the risk of electric shock.

CHAINSAW CHAIN SHARPENER SAFETY WARNINGS

- Always disconnect the sharpener from the battery prior to making any adjustments or performing any maintenance.
- Always wear eye protection.
- Ensure replacement wheels are rated at 6,500/min or higher. Using a wheel rated below the speed of the sharpener is a hazard.
- Rags, clothes and other loose catch-able objects should be kept away from the work area.
- If interrupted whilst operating the tool, complete the process and switch the tool off before looking away from the machine.
- Periodically check all nuts, bolts and other fixings are properly tightened.
- Always turn the sharpener off when it is not in use and never leave it unattended without first switching off and disconnecting the battery from the tool. Never leave the sharpener until the sharpening wheel has come to a complete stop.
- When using the sharpener, use safety equipment including safety glasses, ear protection, dust mask and protective gloves.

DESCRIPTION OF SYMBOLS

V	Volts	Hz	Hertz
~	Alternating current	W	Watts
dc/---	Direct current	Ø	Diameter
mA	Milliamperes	No	No load speed
/min	Revolutions or reciprocation per minute	□	Double insulated
	Wear eye protection		Warning
	Read instruction manual		



18V LITHIUM ION

CORDLESS CHAINSAW SHARPENER

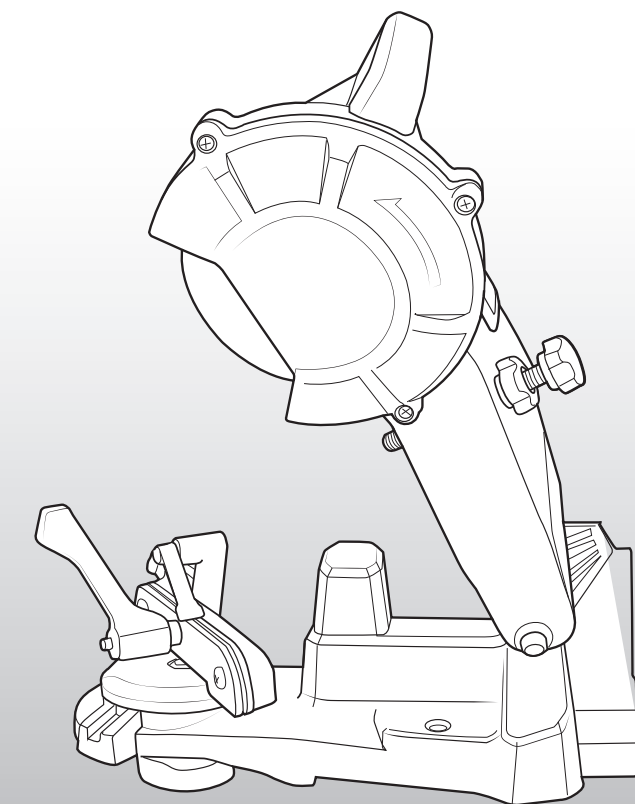
ORIGINAL INSTRUCTIONS

SPECIFICATIONS

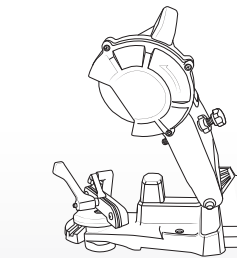
Input: 18V
No load speed: 6,500/min
Table/vise angles: 0 – 35° left & right
Sharpening wheel: Ø108 x 3.2mm
Bore: Ø23mm
Suitable for chain: 0.325" and 3/8" pitch
Weight: 1.7kg

ozito-diy.co.uk

5 YEAR REPLACEMENT WARRANTY



WHAT'S IN THE BOX



Chainsaw Chain Sharpener



Sharpening Wheel (assembled)

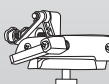


Table & Lock Knob



Battery & Charger sold separately

PXCCSS-018U

WARRANTY

All of our products undergo strict quality checks to ensure that they reach you in perfect condition. In the unlikely event that your device develops a fault, please contact our service department at the address shown on this guarantee card. You can also contact us by telephone using the customer service number shown. Please note the following terms under which guarantee claims can be made:

- These warranty terms regulate additional warranty services, which the manufacturer mentioned below promises to buyers of its new products in addition to their statutory guarantee claims are not affected by this guarantee. Our guarantee is free of charge to you.
- The warranty services only covers defects due to material or manufacturing faults on a product which you have bought from the manufacturer mentioned below are limited to either the rectification of said defects on the product or the replacement of the product, whichever we prefer. Please note that our devices are not designed for use in commercial, trade or professional applications. A guarantee contract will not be created if the device has been used by commercial, trade or industrial business or has been exposed to similar stresses during the guarantee period.

- The following are not covered by our guarantee:
 - Damage to the device caused by a failure to follow the assembly instructions or due to incorrect installation, a failure to follow the operating instructions (for example connecting it to an incorrect mains voltage or current type) or a failure to follow the maintenance and safety instructions or by exposing the device to abnormal environmental conditions or by lack of care and maintenance.
 - Damage to the device caused by abuse or incorrect use (for example overloading the device or the use of unapproved tools or accessories), ingress of foreign bodies into the device (such as sand, stones or dust, transport damage), the use of force or damage caused by external forces (for example by dropping it).
 - Damage to the device or parts of the device caused by normal or natural wear or tear or by normal use of the device.

- Your Product is guaranteed for a period of 60 months from the original date of purchase and is intended for DIY (Do It Yourself) use only. Lithium Ion batteries and chargers are

covered by a 12 month warranty. Warranty excludes consumable parts. Guarantee claims should be submitted before the end of the guarantee period within two weeks of the defect being noticed. No guarantee claims will be accepted after the end of the guarantee period. The original guarantee period remains applicable to the device even if repairs are carried out or parts are replaced. In such cases, the work performed or parts fitted will not result in an extension of the guarantee period, and no new guarantee will become active for the work performed or parts fitted. This also applies if an on-site service is used.

IN ORDER TO MAKE A CLAIM UNDER THIS WARRANTY YOU MUST RETURN THE PRODUCT TO THE PLACE OF PURCHASE WITH YOUR REGISTER RECEIPT.

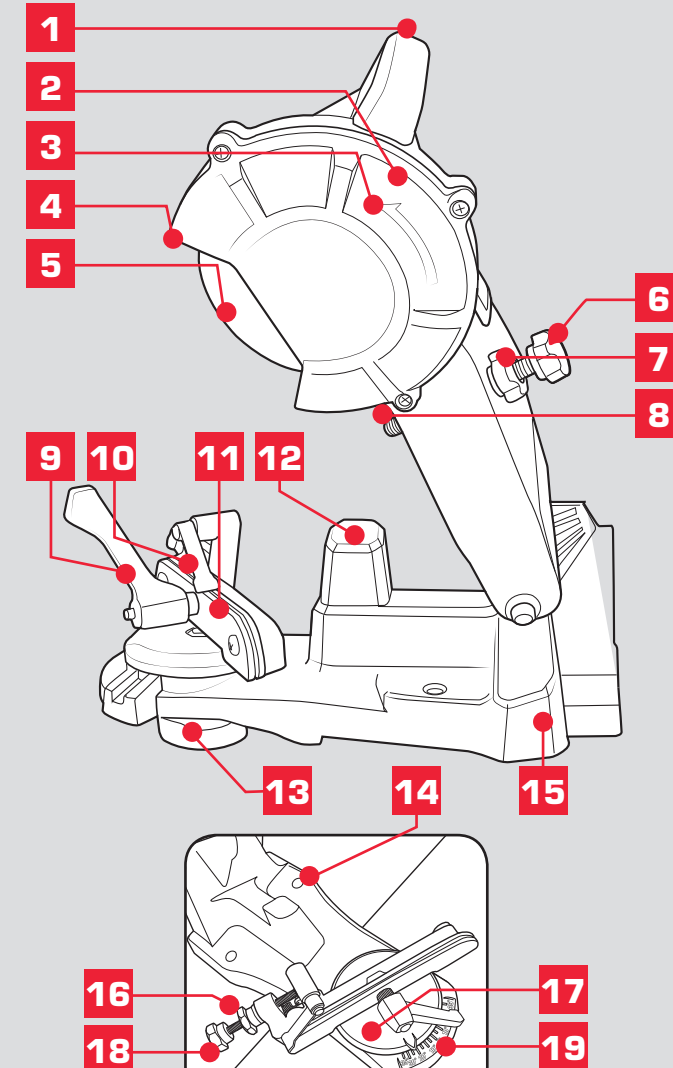
Please refer to the restrictions of this warranty concerning wearing parts, consumables and missing parts as set out in the service information in these operating instructions.

CUSTOMER SERVICE HELPLINE
GB: 0151 294 4488
IRL: 1850 882711
Ozito-diy.co.uk

KNOW YOUR PRODUCT

CHAINSAW CHAIN SHARPENER

- | | |
|------------------------------------|---------------------------------------|
| 1. Lowering hand piece | 11. Guide |
| 2. Sharpening wheel cover | 12. Depth stop platform |
| 3. Direction of rotation indicator | 13. Table locking knob |
| 4. LED | 14. Bench mounting holes |
| 5. Sharpening wheel | 15. Sharpener base |
| 6. Depth of grind knob | 16. Chain stop adjusting locking knob |
| 7. Depth of grind locking knob | 17. Adjustable table |
| 8. Depth of grind pin | 18. Chain stop adjusting knob |
| 9. Guide clamp lever | 19. Table scale |
| 10. Chain (tooth) stop | |



BATTERY & CHARGER (sold separately)

This tool is compatible with all battery and chargers from the Ozito Power X Change Range.

ONLINE MANUAL

Scan this QR Code with your mobile device to take you to the online manual.



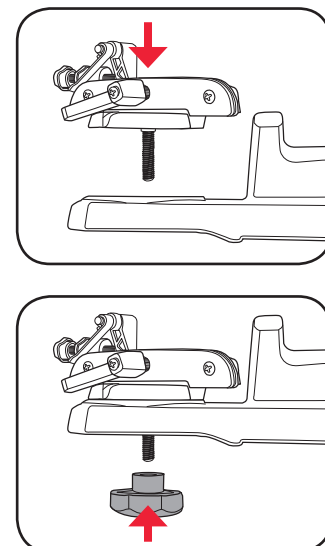
SETUP & PREPARATION

1. ASSEMBLY

CAUTION: ENSURE THAT THE TOOL IS OFF AND THE BATTERY REMOVED BEFORE PERFORMING ANY OF THE FOLLOWING OPERATIONS.

Assembling the table

1. Insert the bolt of the table through the hole in the base.
2. Secure the table in place by fixing the locking knob to the bolt (by screwing the knob clockwise).

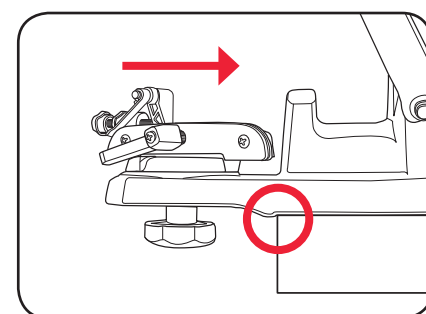


Mounting the sharpener

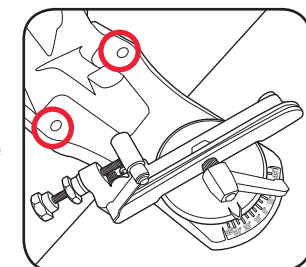
For safe operation of the sharpener, the base of the tool must be fitted to a flat, solid, secure surface such as a work bench.

The sharpener base is designed in two halves. The rear half is for fitting flat to a stable surface and the front is designed to protrude over the edge of the mounting surface.

The sharpener base should be fitted to the mounting surface by sliding the rear half back until the two 'steps' on the base align with the edge of the mounting surface. Ensure when mounting, that the table locking knob is still easily accessible for when adjusting the table angles.



Two 6mm mounting holes allow for fixing the base to the mounting surface (bolts not supplied). Ensure the mounting surface is capable of supporting the weight of the sharpener and chain to be sharpened. The tool can also be clamped to mounting surface with a G-clamp or similar.



2. SETTING OF THE SHARPENER

Note: Prior to using the sharpener, several adjustments must be made in order to sharpen the teeth of the chain effectively.

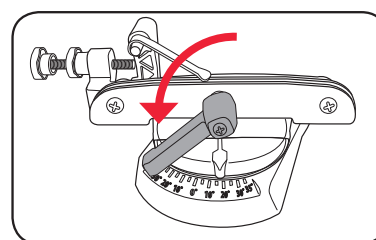
1. Adjusting the angle of cut.
2. Adjusting the chain (tooth) stop.
3. Adjusting the depth of cut.

Failure to perform these adjustments will result in poor sharpening and possible damage to the chain being sharpened.

Before making adjustments, always ensure the battery has been disconnected from the sharpener.

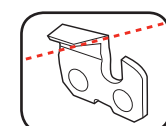
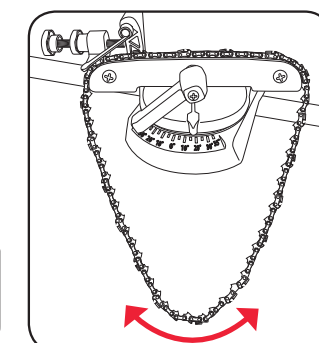
Adjusting the angle of cut

1. Open the slide guide groove by rotating the guide clamp lever anti-clockwise.

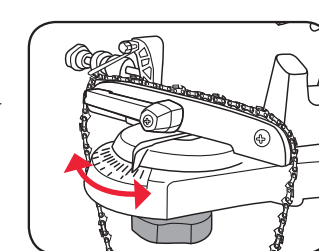


Note: The guide clamp lever is spring loaded to allow repositioning of the handle. By pulling out the lever and at the same time rotate to the opposite direction, then releasing will allow you to position the handle again to turn in the desired direction.

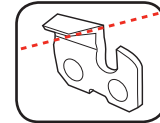
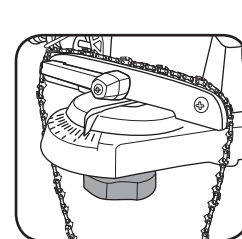
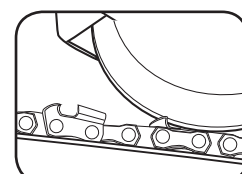
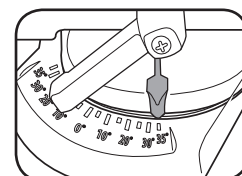
2. Fit a chain over the guide groove ensuring the inner side of the chain sits inside the guide groove. Ensure the chain hangs freely over the side of the mounting surface. The chain should be fitted so the teeth face the right hand side of the sharpener and the chain can move freely in both directions.



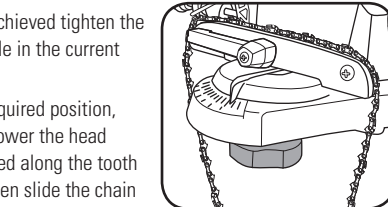
3. If you know the angle of the chain, rotate the table to the same angle as the chain. To rotate the table loosen the table lock knob and rotate the table until the scale indicator lines up with the scale on the base of the sharpener.



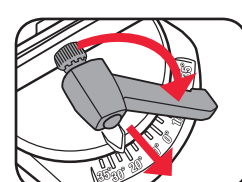
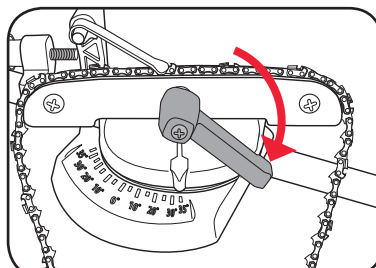
4. If you do not know the angle of the chain, set the table angle to 35°. Take hold of the hand piece and bring it down so that the wheel is slowly lowered into the chain, along the cutting tooth. Slowly move the table so the cutting face of the tooth is parallel with the edge of the wheel. The most common chain angles are 30 – 35°. It may be necessary to slide the chain slightly to allow the wheel to enter down the face of the tooth.



5. Once the correct angle as been achieved tighten the table locking knob to lock the table in the current position. After the table is locked in the required position, take hold of the hand piece and lower the head assembly until the wheel is aligned along the tooth of the chain. Confirm the angle then slide the chain so the face of the tooth is just touching the face of the wheel.

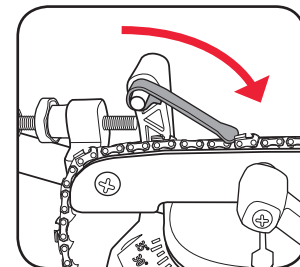


6. Lock the guide by rotating the clamping lever as far as it will go in a clockwise direction. Ensure the chain is clamped firmly into the sliding guide. Should the chain still not be clamped, pull the clamping lever outwards (away from the guide), turn the lever anti-clockwise 1/4 of a turn. Push the lever back in towards the guide. Proceed to rotate the lever fully clockwise. Check the chain is clamped. Should it still not be clamped, repeat the process above.

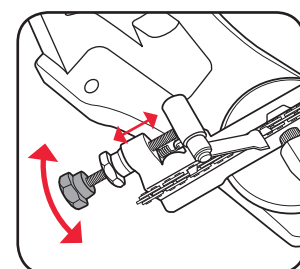


Adjusting the chain (tooth) stop

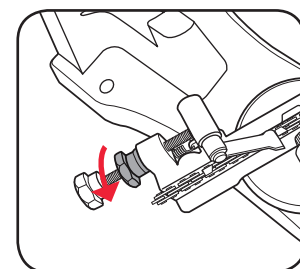
1. With the chain clamped in position, rotate the chain stop in behind the chain tooth aligned with the sharpening wheel from the previous setting.



2. Adjust the chain stop so that it is firmly behind and at the bottom of the aligned chain tooth by rotating the chain stop adjustment knob either clockwise to move the chain stop forward or anti-clockwise to move the chain stop backward.

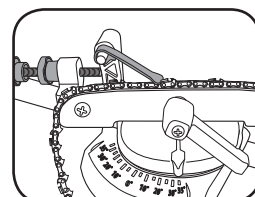


3. When the chain stop is properly adjusted it should be directly behind the chain tooth as shown. To secure in position rotate the chain stop adjusting locking knob clockwise as far as possible.

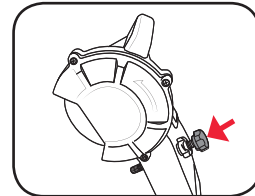


Adjusting the depth of cut

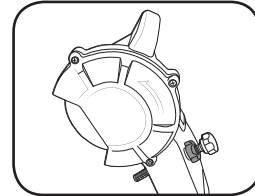
1. Ensure the chain is still locked in place, the chain stop still flipped into position and the chain stop adjustment knobs still secured.



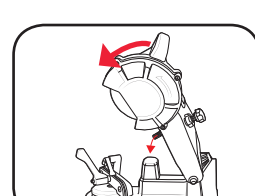
2. Rotate the depth adjustment knob clockwise as far as it will go (so as much of the pin is exposed under the head piece as possible).



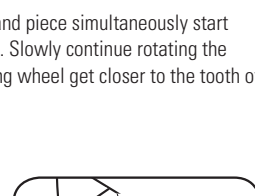
3. Rotate the locking knob towards the housing of the tool.



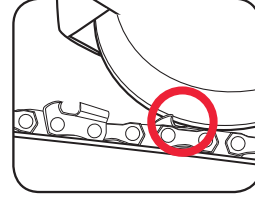
4. Lower wheel towards the face of the tooth. The depth pin should meet the depth stop platform and stop the wheel from travelling the full distance to the tooth.



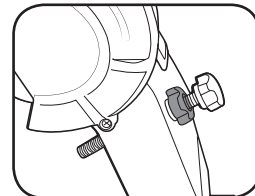
5. Whilst still applying downward pressure on the hand piece simultaneously start rotating the depth adjustment knob anti clockwise. Slowly continue rotating the knob anti clockwise whilst watching the sharpening wheel get closer to the tooth of the chain.



6. When the wheel enters along the face of the tooth, make sure the wheel is lowered until it covers the full face of the tooth but **DOES NOT** touch the tooth body below. Alternatively, you can lower the wheel until it firmly sits on top of the tooth body and then rotate the depth adjustment knob 1/2 a turn clockwise to lift it slightly away from the body. Lifting the wheel away from the body will prevent cutting into the body or link and damaging the chain.



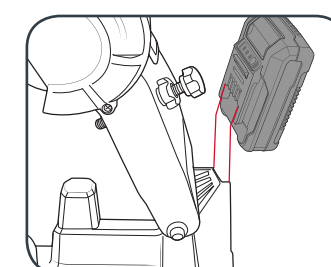
7. When the depth adjustment is correct, hold the depth adjustment pin in position with one hand, using the free hand rotate the locking knob clockwise locking the depth adjustment pin in position. The initial set up is now complete. Fine adjustments may still need to be made once first sharpening operation is performed.



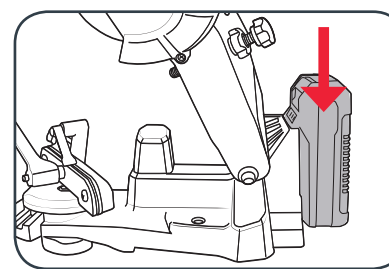
3. INSERTING & REMOVING THE BATTERY

Installing a Battery into the Sharpener

1. Align the ribs of the battery with the recess at the back of the sharpener.

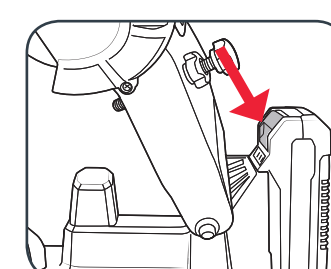


2. Slide the battery in so that it clicks into place.

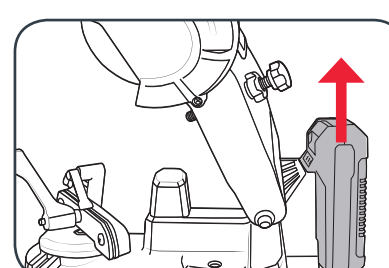


Removing a Battery from the Sharpener

1. Press and hold the battery release tab to release the battery.



2. Slide the battery out.



OPERATION

4. OPERATION

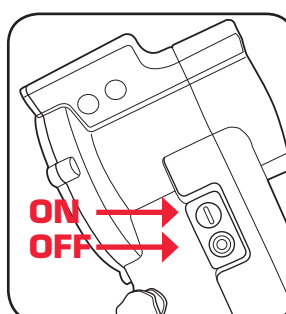
Prior to operation, ensure you have read and understood the operating instructions. Ensure you wear safety gear such as eye protection.

If multiple chains are to be sharpened, it is suggested the sharpener be turned off at the completion of each chain for a period equal to that of sharpening the previous chain.

Turning the tool ON and OFF

To turn the tool on, press the green 'I' button. To turn the motor off, press the red 'O' button.

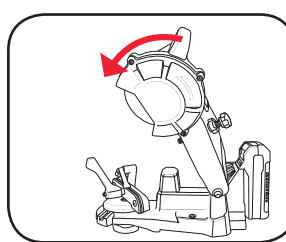
Note: When turning on the sharpener, stand to one side of the tool. Ensure you wear safety glasses.



Using the sharpener

Turn on the sharpener, and slowly lower the hand-piece. If you notice a slight error in your settings, turn off the tool and remove battery prior to making any further adjustments.

Note: A successful grind occurs when the contact between the wheel and tooth is gradual and smooth.



Should the sharpener speed slow down, allow the hand-piece to raise up a little (in effect allowing the wheel to lift away from the chain) and let the motor return to full speed before continuing to sharpen.

CAUTION: DURING OPERATION, IT IS IMPORTANT NOT TO OVERLOAD THE SHARPENER. THE SHARPENER SHOULD RUN AT ALMOST FULL SPEED AT ALL TIMES. IF TOO MUCH PRESSURE IS APPLIED, THE SHARPENER WILL START TO SLOW DOWN (NOTICED MAINLY BY THE DRAMATIC AUDIBLE CHANGE OF THE MOTOR).

The chain saw chain is fitted with two sets of teeth, usually every second tooth is the opposite to the last. When there is an odd number of teeth in the chain,

the teeth can be doubled up i.e. left, left, right.

Should the chain have an odd number of teeth, check to find this point, and be aware of this condition.

