

GB **Operating Instructions**  
**Petrol Hedge Trimmer**

 **SPEAR & JACKSON**

7

**CE**

**Cat-No.: 720-1297**

**34.038.21**

**I.-No.: 01016**

**SPJHT 26**



- Ⓢ Please read these instructions carefully before installing and operating the petrol motor scythe!

### Petrol Engine Quick Start Guide

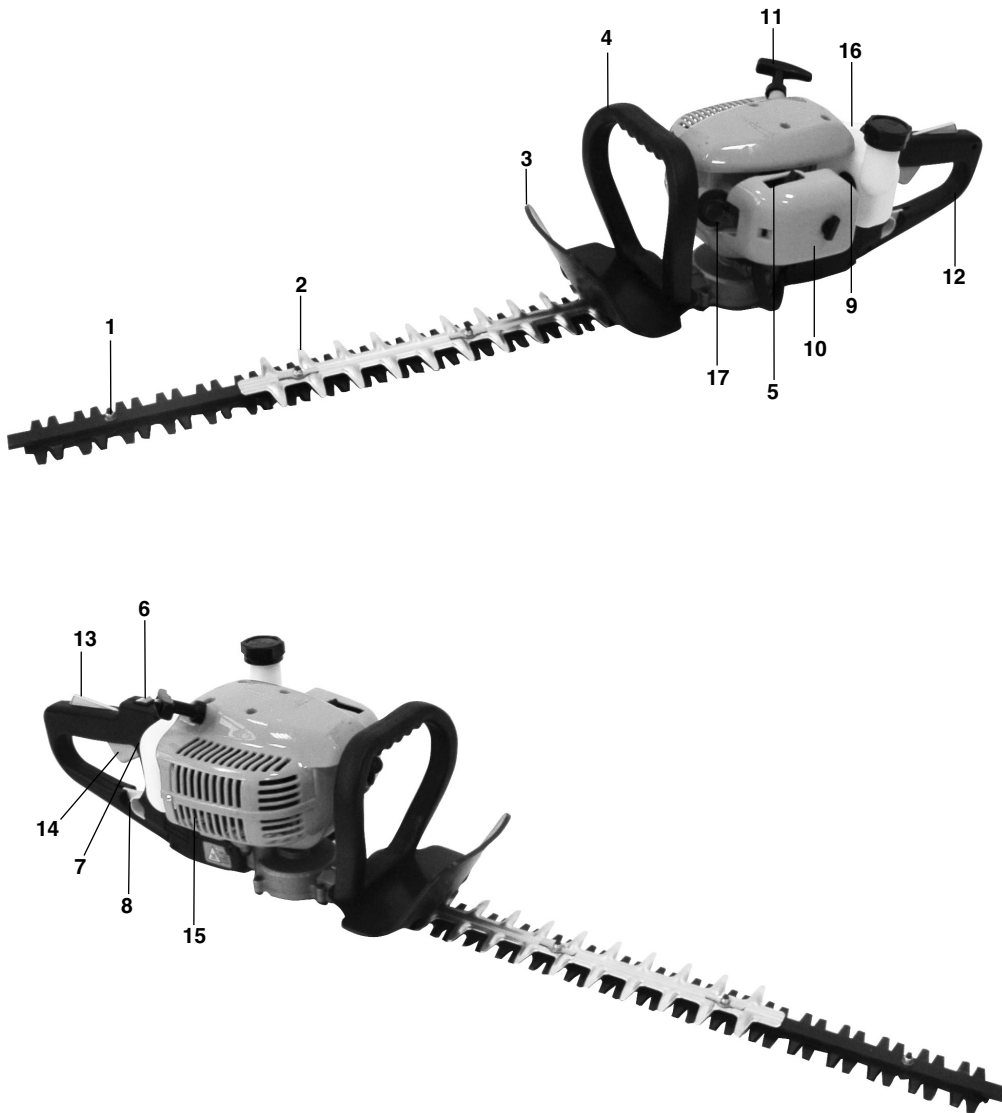
Ensure correct fuel/oil mixture 40:1

#### STARTING

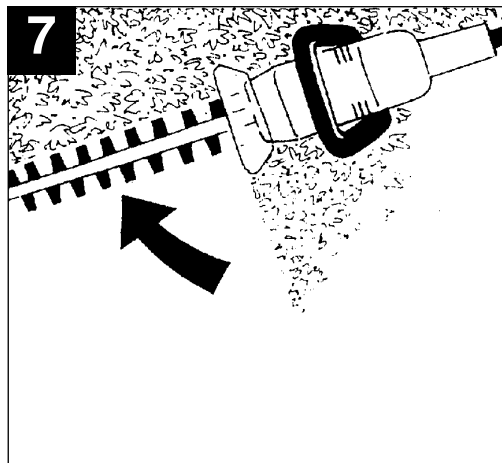
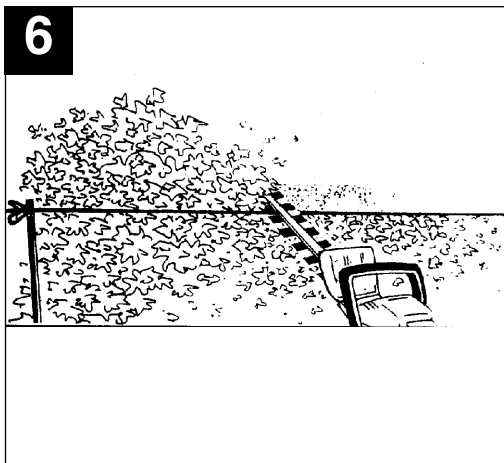
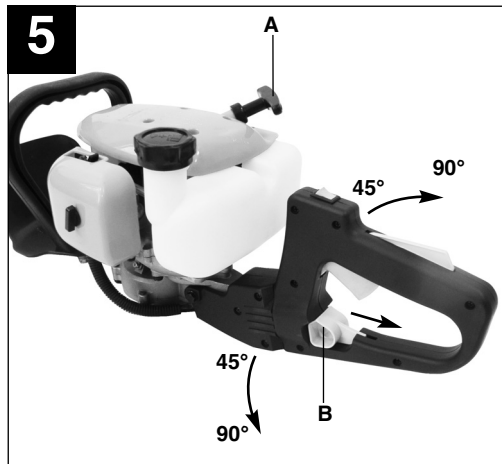
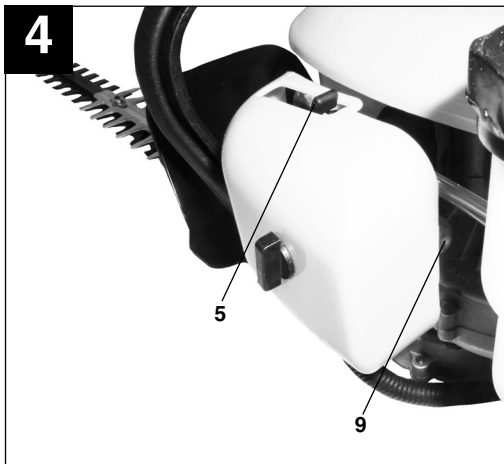
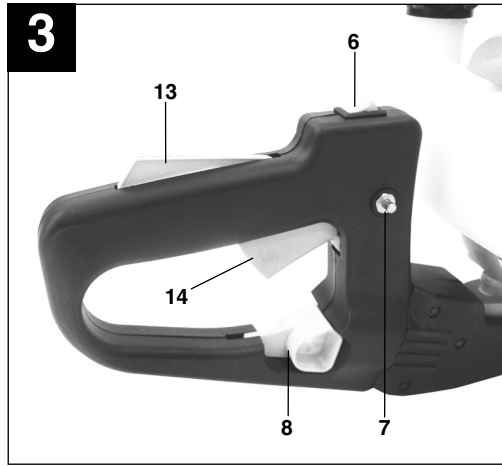
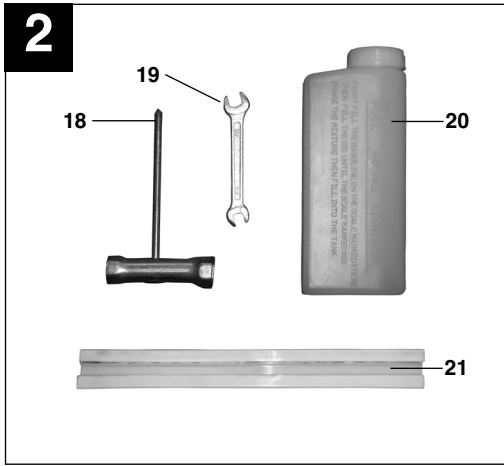
1. Place the machine on a hard, level surface
2. Set the choke lever to "I + I"  
Note - the amount of Choke will vary slightly depending on the weather conditions, a small amount of experimentation is advised.
3. Press the fuel primer button ten times minimum
4. Set the ON/OFF switch to "I"
5. Secure the throttle lever
6. Pull the starter cable 4 times quickly
7. If the engine has started, set the choke lever immediately to "I + I" and allow the machine to warm up for approx. 10 seconds.
8. Release the throttle lever
9. If the engine does not start, repeat points 7-8  
Note - this quick start guide is intended for experienced users who have already assembled the tool, please refer to the manual for details.

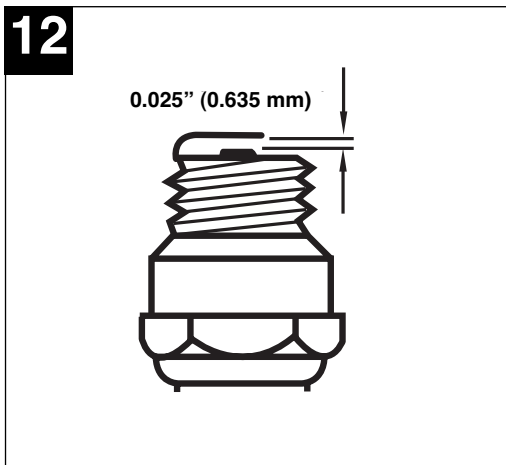
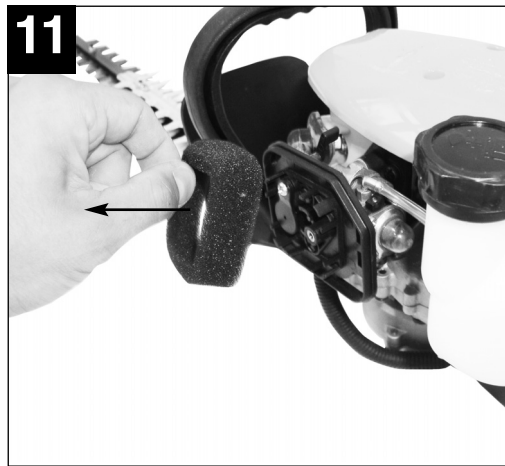
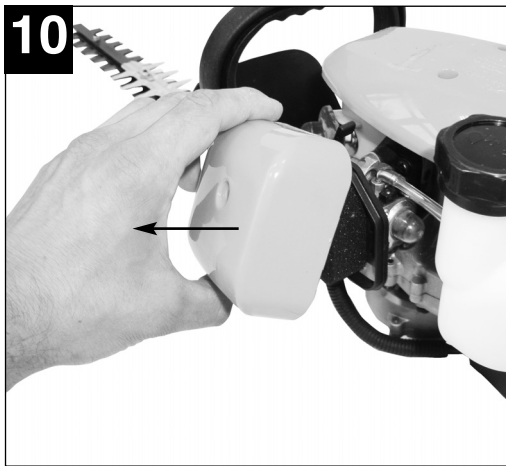
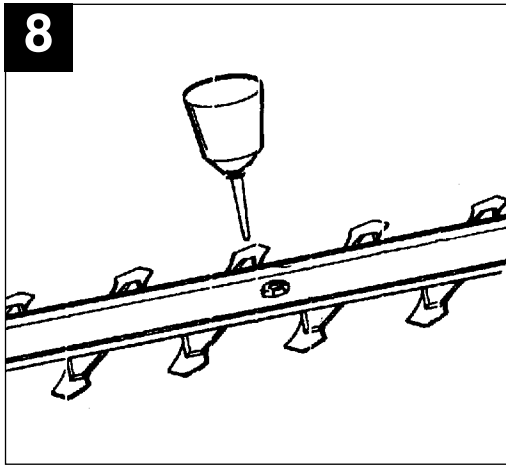
If machine does not start after minimum 6 pulls on starter cord refer to petrol Engine Q & A on page 12.

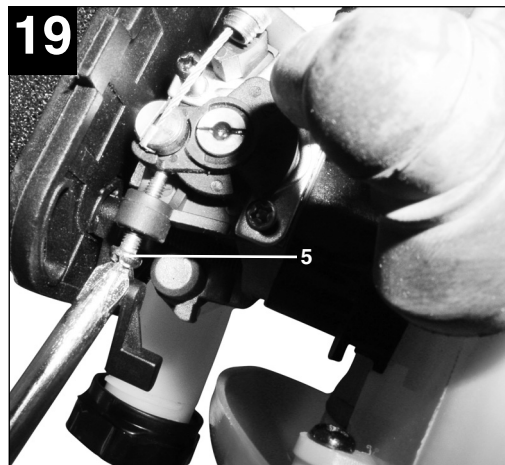
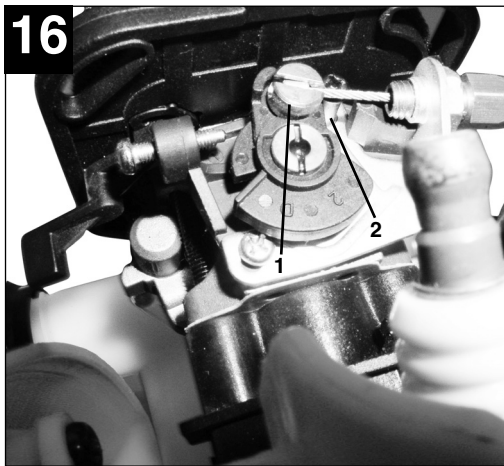
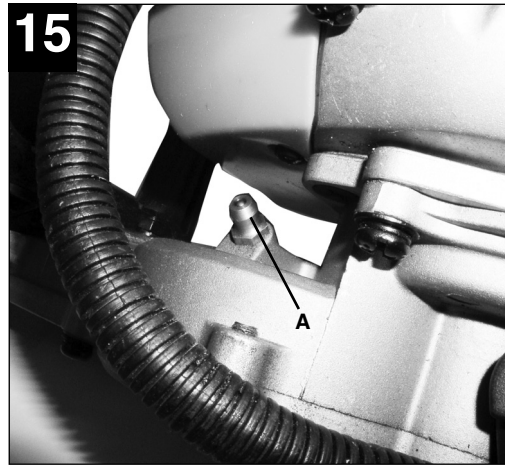
1



3







20



1



2



3



4



5



6

**GB**

**Table of contents**

**Page**

1. General safety regulations	9
2. Layout and items supplied	10
3. Technical data	10
4. Proper use	11
5. Environmental protection	11
6. Installation	11
7. Before starting the machine	11
8. Operation	11
9. Maintenance	12
10. Storage	13
11. Disposal	14
12. Ordering replacement parts	14
13. Troubleshooting	15



## Disposal and recycling

The unit is supplied in packaging to prevent its being damaged in transit. This packaging is raw material and can therefore be reused or can be returned to the raw material system.

The unit and its accessories are made of various types of material, such as metal and plastic. Defective components must be disposed of as special waste. Ask your dealer or your local council.

### When using equipment, a few safety precautions must be observed to avoid injuries and damage.

- Read the operating instructions carefully and comply with them. It is important to consult these instructions in order to acquaint yourself with the unit, its proper use and safety regulations.
- Keep this manual in a safe place, so that the information is available at all times.
- If you give the equipment to any other person, hand over these operating instructions as well.

**We accept no liability for damage or accidents which arise if these instructions have not been adhered to.**

## 1. General safety regulations

### Explanation of the information plates on the machine (Fig. 20)

1. Warning!
  2. Read the instructions for use before use.
  3. Protect from rain or wet conditions.
  4. Wear eye protection and ear plugs.
  5. Wear safety gloves.
  6. Wear solid footwear.
1. This machine can cause serious injuries. Read the instructions for use carefully to discover how to use it correctly:
    - preparation
    - maintenance
    - starting and stopping the machine
 Make yourself familiar with all the adjusters on the machine and how to use it properly.
  2. Children must never be allowed to use the hedge trimmer.
  3. Take care near overhead power cables.
  4. Do not use the hedge trimmer when people are nearby, particularly children.
  5. Wear suitable clothing. Do not wear loose clothing or jewelry as it may get caught in moving

- parts. We recommend that you wear strong gloves, non-slip shoes and safety goggles.
6. Stop the engine or pull the mains plug before the following:
    - Cleaning or removing a blockage
    - Inspection, maintenance or other work on the machine
    - Adjusting the working position of the cutter.
  7. If the angles of the cutter and/or the length of the shaft can be adjusted on the hedge trimmer, do not hold the blades when adjusting the working position of the cutter. Always make sure that the cutter is in the correct working position before you start the engine or connect the plug to the mains supply.
  8. Always stand in a safe position whilst using the machine, particularly if you are using steps or a ladder.
  9. Handle fuel with care, it is highly inflammable. Never place fuel in a machine whose engine is running or hot. Do not inhale fuel vapors, they are toxic.
  10. Do not carry out any repair work on the machine unless you have been trained to do so.
  11. Do not use the machine if it has a damaged or excessively worn cutter.
  12. To reduce the risk of fire ensure that the engine and silencer are clear of deposits, leaves and lubricants.
  13. The machine may exceed 85 db (A) at the workplace. The operator will require noise protection measures and ear muffs if this is the case.
  14. Always make sure that all the handles and safety equipment are fitted whilst you are using the machine. Never attempt to use an incomplete machine or one that has been modified illegally.
  15. Always use both hands if the hedge trimmer is fitted with more than one handle.
  16. Always place the cover over the cutter when transporting or storing the machine.
  17. Important. This hedge trimmer is suitable for cutting hedges, bushes and shrubs. Any use which is not expressly permitted in manual may result in damage to the hedge trimmer and place the user in serious danger.
  18. If it becomes necessary to stop the machine immediately, set the ON/OFF switch to "Stop" or "0"
  19. Make yourself familiar with your surroundings and watch for possible dangers that you may not be able to hear due to the noise generated by the machine.

**GB****Additional safety instructions**

1. Store the machine in a safe place. Carefully open the fuel tank cap beforehand to release any pressure that may have built up in the tank.
2. Start the machine at least 3 m away from the refueling site to avoid the possible risk of fire.
3. Keep the handles dry, clean and free from the fuel mixture, oil and grease.
4. Do not use any fuel other than that recommended in the instructions for use. Always follow the instructions in the section entitled "Fuel and oil". Never use pure petrol, always use the specified petrol and oil mixture. Otherwise the machine would suffer permanent damage and the manufacturer's warranty would be voided.
5. Do not smoke whilst refueling or working with the machine.
6. Do not use the machine without the silencer and/or screen for the silencer.
7. Never touch the silencer after you have used the machine. Leave the machine to cool down for a while before carrying out maintenance or adjustment work.
8. Do not use the hedge trimmer near inflammable liquids or gases. This could result in an explosion and/or fire.
9. Switch the machine off before you place it on the ground.
10. Check all screws and seals at regular intervals to ensure that they are tight and tighten them if necessary. Never use the machine if it has not been properly adjusted or has not been fully or safely assembled.
11. Always clear items such as bottles, stones, etc. away from where you are working. Thrown out items may cause serious injuries to the user or people nearby and may also damage the machine. If you strike an item by accident, switch off the machine immediately and check it. Never work with a damaged or broken machine.
12. Do not modify, remove or add any things to any components of this machine. This could cause injuries or damage the machine and void the manufacturer's warranty.
13. Do not use the machine when you are tired or for lengthy periods without breaks.
14. Do not use the machine if you have consumed alcohol, drugs or strong medication.
15. Always hold the machine with both hands so that your fingers and thumbs are hooked around the handles.
16. Only use the machine outdoors. Exhaust fumes are toxic.

**2. Layout and items supplied (Fig. 1-2)**

1. Cutting blade
2. Cutting blade safety cover
3. Safety plate
4. Front handle
5. Choke lever
6. ON/OFF switch
7. Locking knob for throttle lever
8. Locking knob for rotary handle
9. Fuel pump (primer)
10. Air filter cover
11. Starter handle
12. Rear handle
13. Throttle lever "release"
14. Throttle lever
15. Silencer cover
16. Tank for fuel mixture
17. Spark plug boot
18. Spark plug wrench
19. 8 mm / 10 mm open-ended spanner
20. Oil and petrol mixing bottle
21. Cutter rail cover

**3. Technical data**

Engine type	2-stroke engine, air-cooled, chrome cylinder
Engine output (max.)	0.75 kW / 1.0 bhp
Displacement	26 cc
Engine idling speed	2960 rpm
Max. engine speed	7300 rpm
Weight (empty tank)	5.5 kg
Cutter rail length:	65 cm
Cutting length:	54 cm
Tooth spacing:	28 mm
Cutting capacity (max.)	19 mm
Tank capacity	0.5 l
Spark plug	NGK BPMR7A
Max. cutting speed	2300 ± 100 cuts/min
Vibration (front handle) ahw	15.08 m/s <sup>2</sup>
Vibration (rear handle) ahw	17.75 m/s <sup>2</sup>
L <sub>pA</sub> sound pressure level	95 dB
Sound power level, L <sub>WA</sub>	107 dB

The sound and vibration were measured in accordance with EN ISO 10517.

## 4. Proper use

**Important:** This hedge trimmer is suitable for cutting hedges, bushes and shrubs. Any use which is not expressly permitted in manual may result in damage to the machine and place the user in serious danger. Be sure to observe the restrictions in the safety instructions.

Please note that our machines are not designed for commercial, trade or industrial use. Our warranty will be voided if the machine is used in commercial, trade or industrial businesses or for equivalent purposes.

## 5. Environmental protection

- Dispose of soiled maintenance material and operating materials at the appropriate collection point.
- Recycle packaging material, metal and plastics.

## 6. Installation

The hedge trimmer is supplied fully assembled. No assembly work is required.

To make it easier to control, the machine is fitted with a rotary handle that can be adjusted as required into positions at angles of  $-90^{\circ}/-45^{\circ}/0^{\circ}/+45^{\circ}/+90^{\circ}$ . To do this, pull the lever (Fig. 5/Item B) backwards, turn the rotary handle into the required position and then allow the lever to lock at the front again. The various adjustable positions facilitate working above head height or in other places with different access.

**Important:** The rotary handle may only be adjusted when the engine is switched off.

## 7. Before starting the machine

### 7.1 Fuel and oil

#### Recommended fuels

Use only a mixture of normal unleaded petrol and special 2-stroke engine oil. Mix the fuel mixture as indicated on the fuel mixing table.

- Start the machine at least 3 m away from the refueling site to avoid the possible risk of fire.
- Do not smoke whilst refueling or working with the machine.
- Do not use the hedge trimmer near inflammable liquids or gases. This could result in an explosion and/or fire.

**Important:** Do not use a fuel mixture which has been kept for longer than 90 days.

**Important:** Do not use 2-stroke oil with a recommended mixing ration of 100:1. If inadequate lubrication causes engine damage, the manufacturer's engine warranty will be voided.

**Important:** Only use containers designed and approved for the purpose to transport and store fuel.

Pour the correct quantities of petrol and 2-stroke oil into the mixing bottle (see scale printed on the bottle). Then shake the bottle well.

### 7.2 Fuel mixture table

Petrol (unleaded)	2-stroke oil
1 liter	25 ml
5 liters	125 ml

Mixing procedure: 40 parts petrol to 1 part oil

## 8. Operation

Please note that the statutory regulations governing noise abatement may differ from town to town.

### 8.1 Starting the engine from cold (Fig. 3-5)

Filling tank with a reasonable amount of petrol and oil mixture.

1. Place the machine on a hard, level surface.
2. Set the choke lever (Fig. 4/Item 5) to "I + I".
3. Press the fuel pump (primer) (Fig. 4/Item 9) 10 times.
4. Move the ON/OFF switch (Fig. 3/Item 6) to "I".
5. Secure the throttle lever. To do this, press the throttle lever lock (Fig. 3/Item 13) and then press the throttle lever (Fig. 3/Item 14) and lock the throttle lever by pressing the locking knob (Fig. 3/Item 7) at the same time.
6. Hold the machine by the front handle in your right hand and pull the starter cable (Fig. 5/Item A) up to the first resistance point (approx. 10 cm). Now pull the starter cable four times quickly. The machine should start.  
**Important:** Do not release the starter cable so that it whips back by itself. This may cause damage.
7. If the engine has started, set the choke lever immediately to "I + I" and allow the machine to warm up for approx. 10 seconds.

**GB**

**Important:** The cutting blades will start to work when the engine starts because the throttle lever is locked.

Then release the throttle lever by simply pressing it (the engine will return to idling speed).

8. If the engine does not start, repeat steps 6-7.

**Please note:** If the engine does not start up even after several attempts, read the section "Engine Troubleshooting".

**Please note:** Always pull the starting cable out in a straight line. If it is pulled out at an angle, then friction will occur on the eye. As a result of this friction, the cable will become frayed and will wear away faster.

### 8.2 Starting the engine when warm (the machine has not been switched off for more than 15 – 20 minutes)

1. Place the machine on a hard, level surface.
2. Set the ON/OFF switch to "I"
3. Lock the throttle lever (as described in "Starting the engine from cold").
4. Hold the machine by the front handle in your right hand and pull the starter cable up to the first resistance point (approx. 10 cm). Now pull the starter cable quickly. The machine should start after 1 – 2 pulls. If the machine does not start after 6 pulls, repeat steps 1 – 7 of the procedure for starting the engine from cold.

### 8.3 Switching off the engine

Emergency Stop procedure:

If it becomes necessary to stop the machine immediately, set the ON/OFF switch to "Stop" or "0"

Normal procedure:

Let go of the throttle lever and wait until the engine has changed to idling speed. Then set the ON/OFF switch to "Stop" or "0".

### 8.4 Practical tips

Never allow the machine to run at low speed for starting or for cutting.

**Cutting for dense growth:** The most effective method is to use wide, sweeping movements, guiding the cutting edge of the blade straight through the branches. A slight incline of the blade downwards towards the movement will produce best cutting results.

It is recommended to tie a guide line of string or the like along the hedge so that you cut the hedge to a level height. The branches above it will be cut off. (Fig. 6)

12

**Cutting the side of a hedge** Cut the sides of the hedge with curve-shaped movements from the bottom up. (Fig. 7)

**Important:** As a result of its design, if you work with the machine on its side for a lengthy period and the tank not completely filled, the motor may stall.

## 9. Maintenance

Always switch off the head trimmer and remove the spark plug boot before carrying out any maintenance work.

1. The cutter blades are high quality, made of tempered steel and in normal use there is no need to sharpen the blades. If you accidentally strike a wire, stone, glass or other hard object, this may cause a notch in the blade. There is no need to remove the notch as long as it does not adversely affect the movement of the cutting edges. If it does adversely affect this movement, switch off the machine and use a fine file or a fine grinding stone to remove the notch. Ensure that the blade's cutting edge is always well oiled (see Fig. 8).
2. If you drop the hedge trimmer, check whether it has suffered any damage. If it is damaged contact an authorized customer service outlet or send the machine to ISC GmbH to have it repaired.
3. Only clean the machine after it has been switched off. Use only mild soap and a damp cloth to clean it. Never allow fluid to get into the machine. Do not use caustic cleaning products.

### 9.1 Maintenance of the air filter (Fig. 9-11)

Soiled air filters reduce the engine output by supply too little air to the carburetor.

Regular checks are therefore essential. The air filter should be checked after every 25 hours of use and cleaned if necessary. If the air contains a lot of dust, the air filter should be checked more frequently.

1. Remove the air filter cover (Fig. 9-10)
2. Remove the filter element (Fig. 11)
3. Clean the filter element by tapping it or blowing it.
4. Assemble in reverse order.

**Important:** Never clean the air filter with petrol or inflammable solvents. Clean the air filter with compressed air or by tapping it.

**9.2 Maintenance of the spark plug (Fig. 12-14)**

Spark plug gap = 0.025 inch (0.635 mm). Tighten the spark plug with a torque of 12-15 Nm.

Check the spark plug for dirt and grime after 10 hours of operation and if necessary clean it with a copper wire brush. Thereafter service the spark plug after every 50 hours of operation.

1. Pull off the spark plug boot (Fig. 13) by twisting.
2. Remove the spark plug (Fig. 14) with the supplied spark plug wrench.
3. Assemble in reverse order.

**9.3 Maintenance of the gearbox (Fig. 15)**

The gearbox must be lubricated every year before the start of the season at the lubrication nipple (Fig. 15/Item A). Place a conventional grease gun on the nipple and press approx. 3 strokes of conventional machine grease into the gearbox. If you use the trimmer frequently, grease the gearbox more often.

**9.4 Carburetor settings**

**Important.** Settings on the carburetor may only be made by authorized customer service personnel. The air filter cover must be removed before any work on the carburetor, as shown in Figures 9 – 10.

**Setting the throttle cable**

If the maximum speed of the machine falls over time and you have ruled out all the other causes listed in section 13 Troubleshooting, it may be necessary to adjust the throttle cable.

First of all check whether the carburetor opens fully when the throttle handle is pressed fully. This is the case if the carburetor slide (Fig. 16/Item 1) rests against the stop (Fig. 16/Item 2) when the throttle is fully open. Figure 16 shows the correct setting. If the carburetor slide does not touch the stop, it must be adjusted.

The following work is required to adjust the throttle cable:

- Undo the lock nut (Fig. 17/Item 3) a few turns.
- Undo the adjusting screw (Fig. 18/Item 4) until the carburetor slide rests against the stop when the throttle is fully open, as shown in Figure 16.
- Retighten the lock nut.

**Setting the idling speed**

**Important.** Set the idling speed when the machine is warm.

If the engine stalls when the throttle is not pressed and you have ruled out all the other causes listed in section 13 Troubleshooting, the idling speed must be adjusted. To do this turn the idling speed screw (Fig. 19/Item 5) clockwise until the machine runs smoothly

at idling speed.

If the idling speed is so fast that the cutting blades do not reach a standstill, the idling speed must be reduced by turning the idling speed screw (Fig. 19/Item 5) counterclockwise until the cutting blades stop.

**10.Storage**

**Important:** If you fail to follow these instructions correctly, deposits may form on the interior of the carburetor which may result in the engine being more difficult to start or the machine suffering permanent damage.

1. Carry out all the maintenance work.
2. Drain the fuel out of the tank (use a conventional plastic petrol pump from a DIY store for this purpose).
3. When the fuel has been drained, start the engine.
4. Allow the engine to run at idling speed until it stops. This will clean the remainder of the fuel out of the carburetor.
5. Leave the machine to cool (approx. 5 minutes).
6. Remove the spark plug (see point 9.2).
7. Place a teaspoon full of 2-stroke engine oil into the combustion chamber. Pull the starter cable several times carefully to wet the internal components with the oil. Fit the spark plug again.
8. Clean the exterior housing of the machine.
9. Store the machine in a cold, dry place where it is out of the reach of ignition sources and inflammable substances.

Fertilizers and other chemical garden products often contain substances that accelerate the rate of corrosion of metals. Do not store the machine on or near fertilizers or other chemicals.

**Restarting**

1. Remove the spark plug.
2. Pull the starter cable several times to clean the oil residue out of the combustion chamber.
3. Clean the spark plug contacts or fit a new spark plug.
4. Fill the tank. See the section entitled Fuel and oil.
5. Complete steps 1-7 described under the point entitled "Starting the engine from cold".

**GB**

## 11. Disposal

### **Important.**

The hedge trimmer is made of several different materials such as metal, liquids and plastics. Take any defective components and fluids that are no longer in use to special waste disposal points. Ask your dealer or your local council.

## 12. Ordering replacement parts

Please quote the following data when ordering replacement parts:

- Type of machine
- Article number of the machine
- Identification number of the machine
- Replacement part number of the part required

### **Helpline Numbers:**

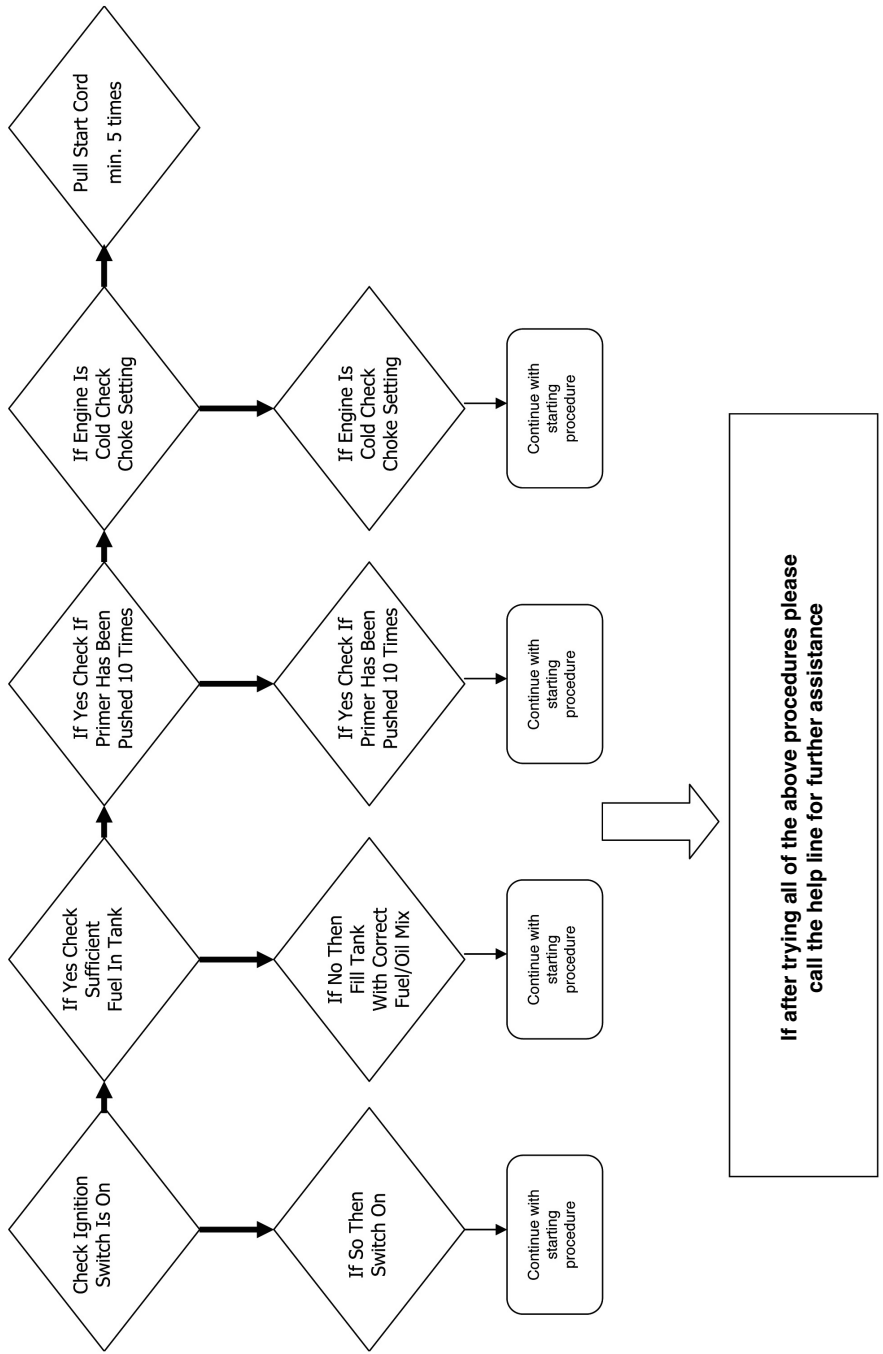
**UK: 0151 649 1500**

**IRE: 189 094 6244**

**13. Troubleshooting**

<b>Fault</b>	<b>Possible cause</b>	<b>Troubleshooting</b>
The machine does not start.	Correct starting procedure not followed.	Follow the instructions for starting.
	Sooted or damp spark plug	Clean the spark plug or replace it with a new one.
	Incorrect carburetor setting	Contact an authorized customer service outlet
The machine starts but does not develop its full output.	Incorrect choke lever setting	Set choke lever to "I+I".
	Soiled air filter	Clean the air filter
	Incorrect carburetor setting	Contact an authorized customer service outlet
The engine does not run smoothly	Incorrect electrode gap on the spark plug	Clean the spark plug and adjust the electrode gap or fit a new spark plug.
	Incorrect carburetor setting	Contact an authorized customer service outlet
Engine smokes excessively	Incorrect fuel mix	Use the correct fuel mix (see fuel mixing table)
	Incorrect carburetor setting	Contact an authorized customer service outlet

# Petrol Engine Starting Procedure / Check List



If after trying all of the above procedures please call the help line for further assistance



ISC GmbH  
Eschenstraße 6  
D-94405 Landau/Isar

## Konformitätserklärung



- D** erklärt folgende Konformität gemäß EU-Richtlinie und Normen für Artikel
- GB** declares conformity with the EU Directive and standards marked below for the article
- F** déclare la conformité suivante selon la directive CE et les normes concernant l'article
- NL** verklaart de volgende conformiteit in overeenstemming met de EU-richtlijn en normen voor het artikel
- E** declara la siguiente conformidad a tenor de la directiva y normas de la UE para el artículo
- P** declara a seguinte conformidade de acordo com a directiva CE e normas para o artigo
- S** förklarar följande överensstämmelse enl. EU-direktiv och standarder för artikeln
- FIN** ilmoittaa seuraavaa Euroopan unionin direktiivien ja normien mukaista yhdenmukaisuutta tuotteelle
- N** erklærer herved følgende samsvar med EU-direktiv og standarder for artikkel
- BG** заявяет о соответствии товара следуюшим директивам и нормам EC
- HR** izjavljuje sljedeću uskladenost s odredbama i normama EU za artikl.
- RO** declară următoarea conformitate cu linia directoare CE și normele valabile pentru articolul.
- TR** ürün ile ilgili olarak AB Yönetmelikleri ve Normları gereğince aşağıdaki uygunluk açıklama masını sunar.
- GR** δηλώνει την ακόλουθη συμφωνία σύμφωνα με την Οδηγία ΕΕ και τα πρότυπα για το προϊόν

- I** dichiara la seguente conformità secondo la direttiva UE e le norme per l'articolo
- GB** attesterer følgende overensstemmelse i henhold til EU-direktiv og standarder for produkt
- CZ** prohlašuje následující shodu podle směrnic EU a norem pro výrobek.
- H** a következő konformitást jelenti ki a termékek-re vonatkozó EU-irányvonalak és normák szerint
- SK** pojednává sledečo skladnost po smernici EU in normah za artikel.
- PL** deklaruje zgodność wymienionego poniżej artykułu z następującymi normami na podstawie dyrektywy WE.
- SK** vydáva nasledujúce prehlásenie o zhode podľa smernice EÚ a noriem pre výrobok.
- RO** декларира следното съответствие съгласно директивите и нормите на ЕС за продукта.
- UKR** заявляє про відповідність згідно з Директивою ЄС та стандартами, чинними для даного товару
- EE** deklareerib vastavuse järgnevalele EL direktiivi dele ja normidele
- LT** deklaruoja atitiktą pagal ES direktyvas ir normas straipsniui
- ES** izjavljuje sledeći konformitet u skladu s odredbom EZ i normama za artikl
- LV** Atbilstības sertifikāts apliecina zemāk minēto preču atbilstību ES direktīvām un standartiem
- IS** Samræmisýfirlýsing staðfestir eftirfarandi samræmi samkvæmt reglum Evrópubandalagsins og stöðlum fyrir vörur

### Petrol Hedge trimmer SPJHT 26

- |  |   |
|--|---|
| <input checked="" type="checkbox"/> 98/37/EG             | <input type="checkbox"/> 87/404/EWG   |
| <input type="checkbox"/> 73/23/EWG_93/68/EEC             | <input type="checkbox"/> R&TTED 1999/5/EG   |
| <input type="checkbox"/> 97/23/EG                        | <input checked="" type="checkbox"/> 2000/14/EG: LWM = 103 dB; LWA = 107 dB<br>P = 0,75 kW |
| <input checked="" type="checkbox"/> 89/336/EWG_93/68/EEC | <input type="checkbox"/> 95/54/EG:  |
| <input type="checkbox"/> 90/396/EWG                      | <input checked="" type="checkbox"/> 97/68/EG: e13*97/68SH2G3*2002/88*0227*00              |
| <input type="checkbox"/> 89/686/EWG                      |   |

prEN ISO 10517; EN 55012; EN 61000-6-3; EN 61000-6-1; KBV V

Landau/Isar, den 04.09.2006

Weichspilgartner  
General-Manager

Wimmer  
Product-Management

Art.-Nr.: 34.038.21 I.-Nr.: 01016  
Subject to change without notice

Archivierung: 3403820-22-4155050

## GUARANTEE CERTIFICATE

**Dear Customer,**

All of our products undergo strict quality checks to ensure that they reach you in perfect condition. In the unlikely event that your device develops a fault, please contact our service department at the address shown on this guarantee card. Of course, if you would prefer to call us then we are also happy to offer our assistance under the service number printed below. Please note the following terms under which guarantee claims can be made:

1. These guarantee terms cover additional guarantee rights and do not affect your statutory warranty rights. We do not charge you for this guarantee.
2. Our guarantee only covers problems caused by material or manufacturing defects, and it is restricted to the rectification of these defects or replacement of the device. Please note that our devices have not been designed for use in commercial, trade or industrial applications. Consequently, the guarantee is invalidated if the equipment is used in commercial, trade or industrial applications or for other equivalent activities. The following are also excluded from our guarantee: compensation for transport damage, damage caused by failure to comply with the installation/assembly instructions or damage caused by unprofessional installation, failure to comply with the operating instructions (e.g. connection to the wrong mains voltage or current type), misuse or inappropriate use (such as overloading of the device or use of non-approved tools or accessories), failure to comply with the maintenance and safety regulations, ingress of foreign bodies into the device (e.g. sand, stones or dust), effects of force or external influences (e.g. damage caused by the device being dropped) and normal wear resulting from proper operation of the device.

The guarantee is rendered null and void if any attempt is made to tamper with the device.

3. The guarantee is valid for a period of 2 years starting from the purchase date of the device. Guarantee claims should be submitted before the end of the guarantee period within two weeks of the defect being noticed. No guarantee claims will be accepted after the end of the guarantee period. The original guarantee period remains applicable to the device even if repairs are carried out or parts are replaced. In such cases, the work performed or parts fitted will not result in an extension of the guarantee period, and no new guarantee will become active for the work performed or parts fitted. This also applies when an on-site service is used.

Of course, we are also happy offer a chargeable repair service for any defects which are not covered by the scope of this guarantee or for units which are no longer covered. To take advantage of this service, please send the device to our service address.

Argos Ltd  
489-499 Avebury Boulevard  
Saxon Gate West  
Central Milton Keynes  
**MK9 2NW**

**Helpline Numbers:**

**UK: 0151 649 1500**

**IRE: 189 094 6244**

© Technical specifications subject to change

©

The reprinting or reproduction by any other means, in whole or in part, of documentation and papers accompanying products is permitted only with the express consent of ISC GmbH.

Einhell UK Ltd  
Unit 5 Morpeth Wharf  
Twelve Quays  
Birkenhead, Wirral  
**CH41 1LF**  
Tel. 0151 6491500, Fax 0151 6491501

EH 10/2006

**Helpline No: UK 0151 649 1500 / IRE 189 094 6244**