

GB Operating Instructions
Table saw

Taurus®

After Sales Support

TEL: 1300 130 579
WEB: www.rossmac.com



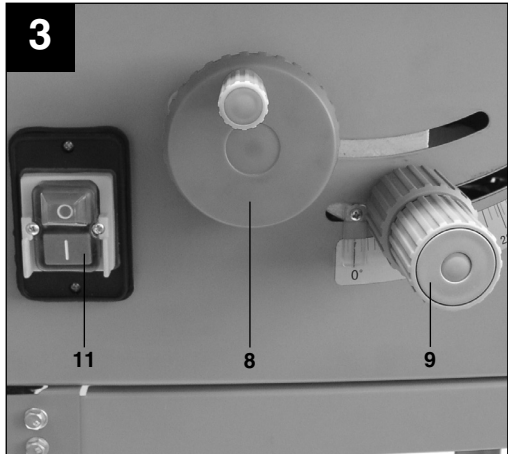
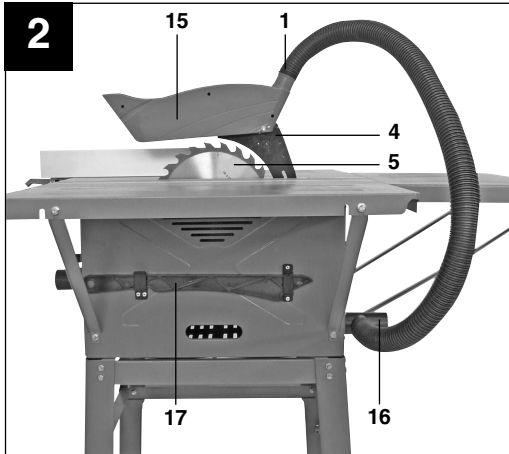
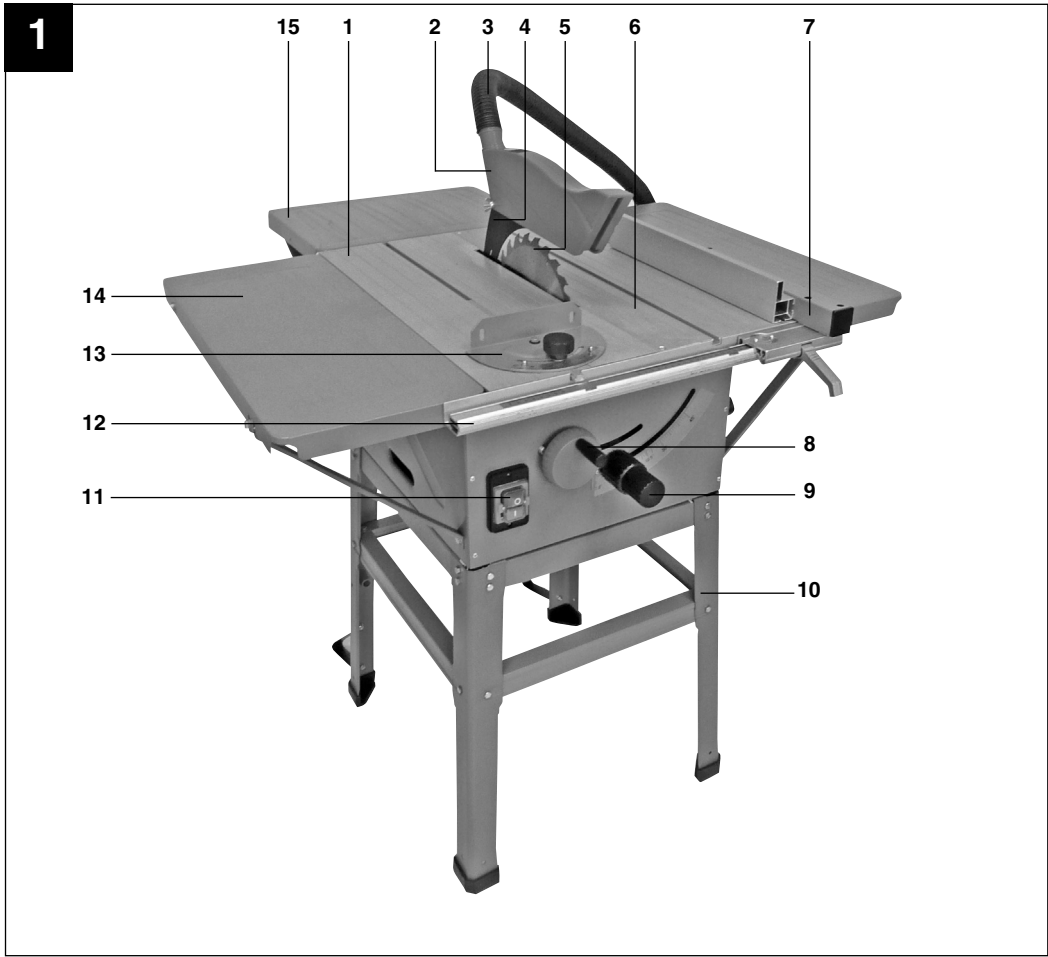
 **N16188**

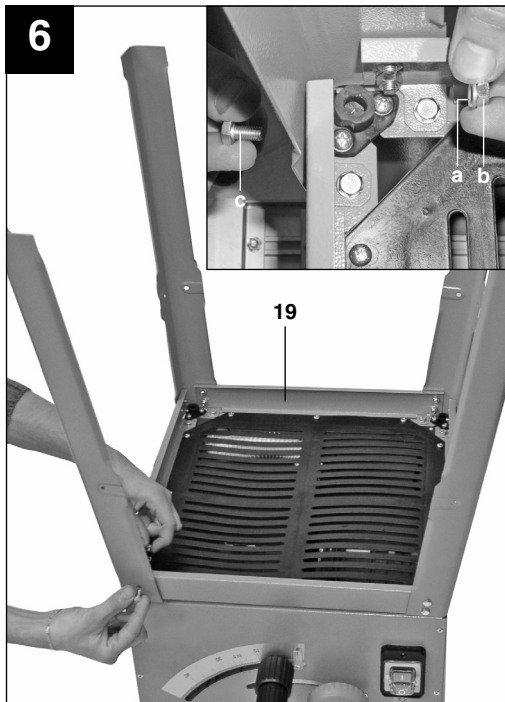
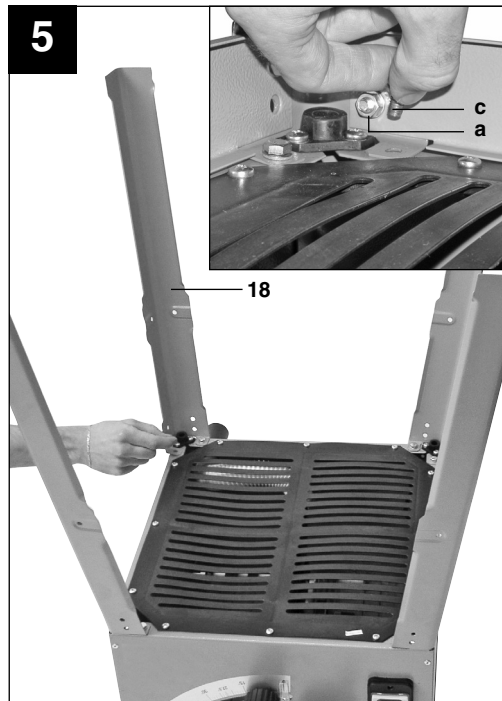
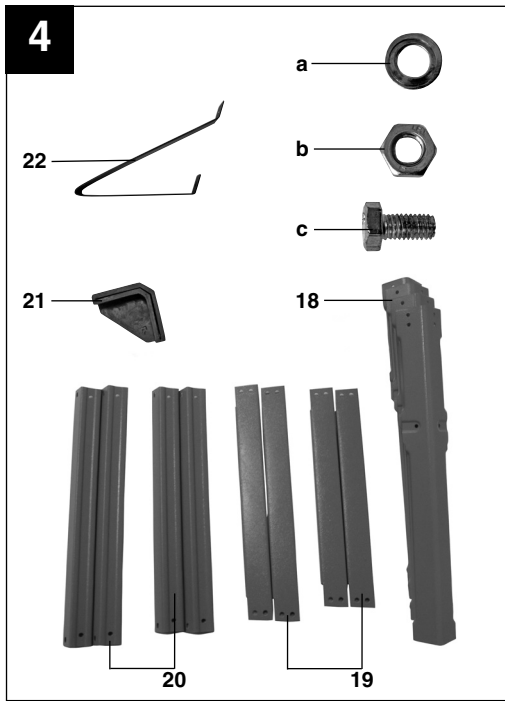
KCTS 1700

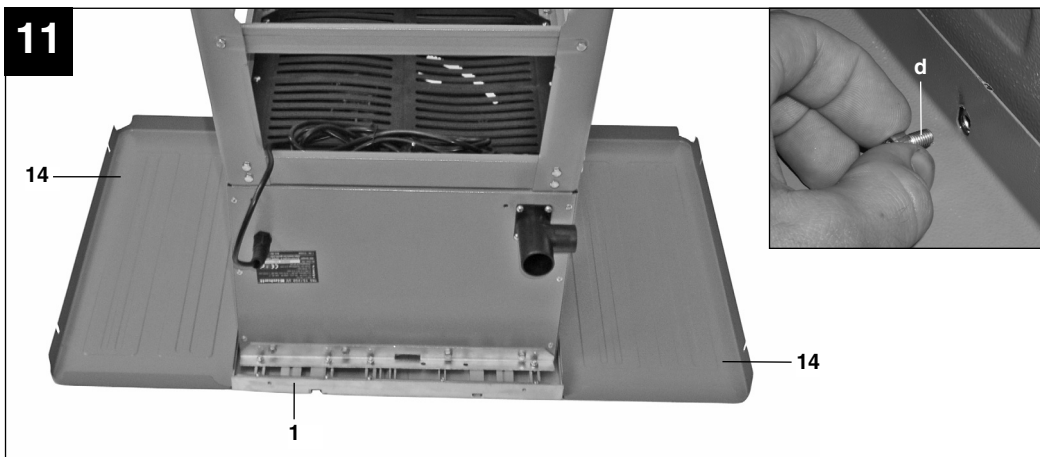
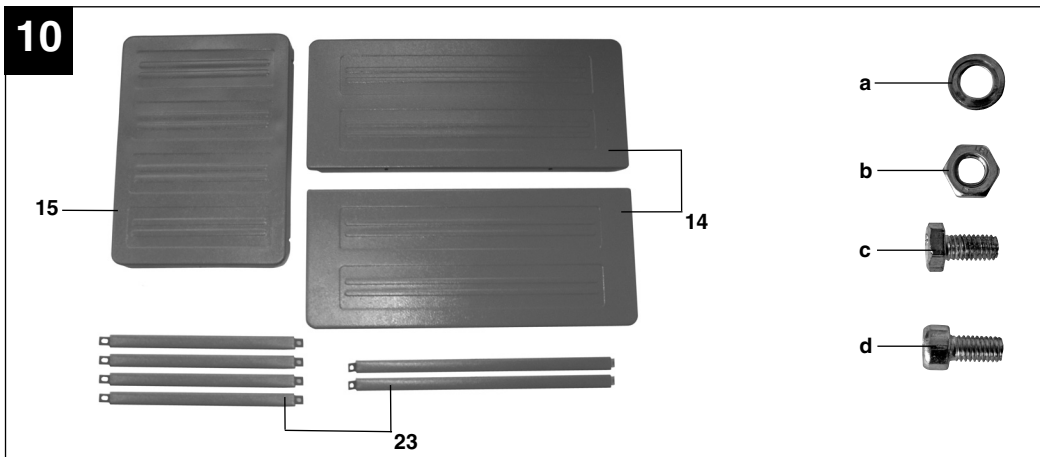
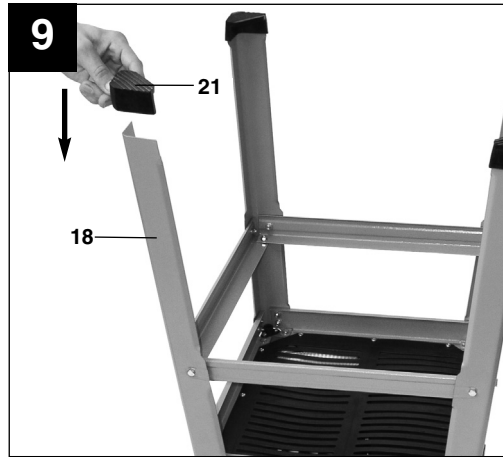
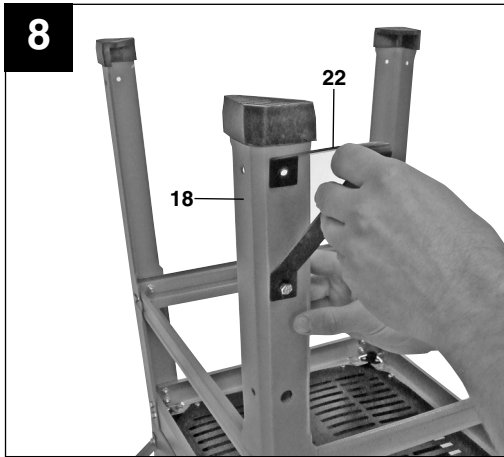
Table saw

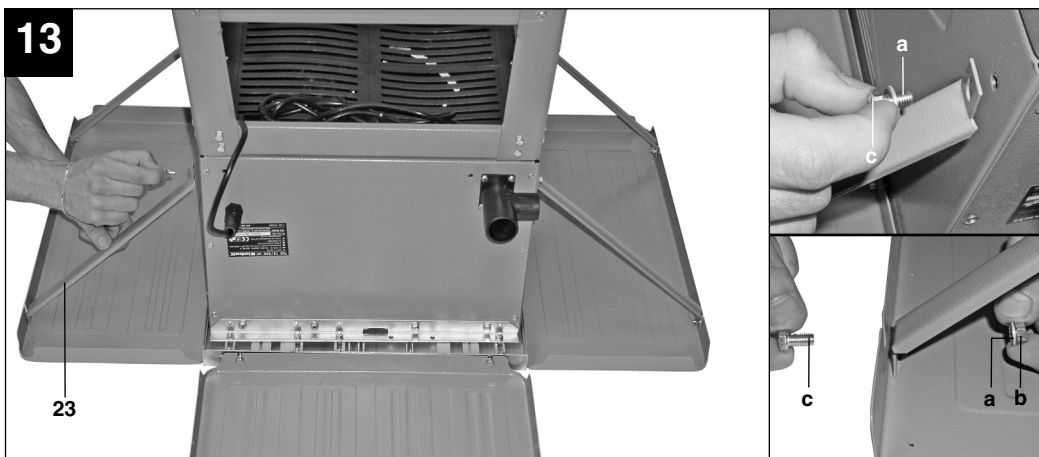
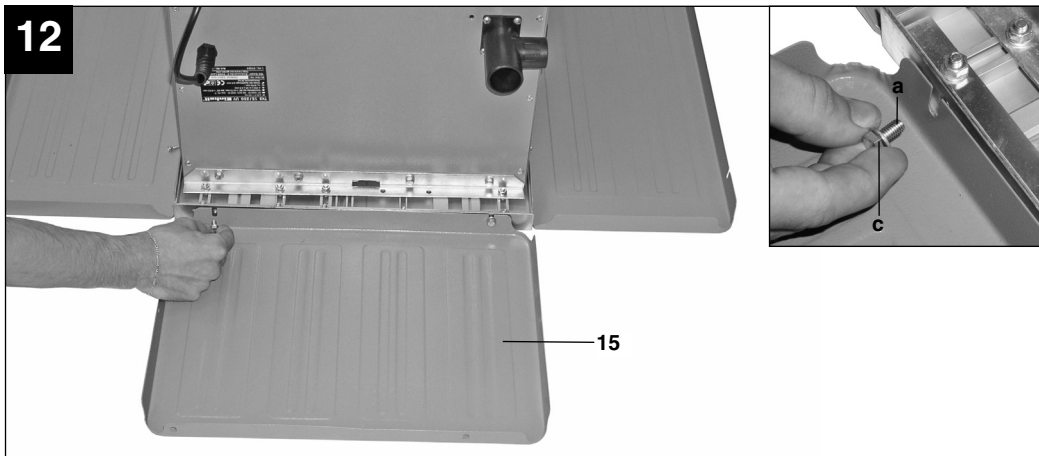
What your 1 year warranty means

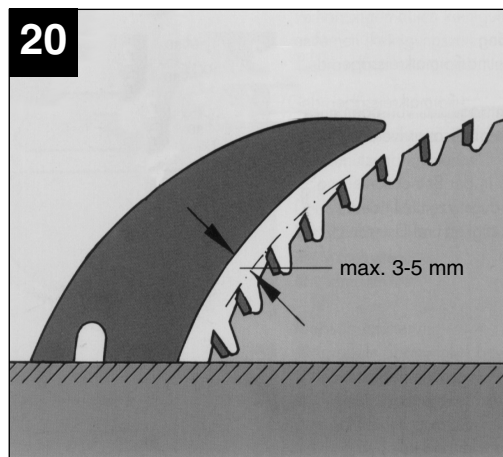
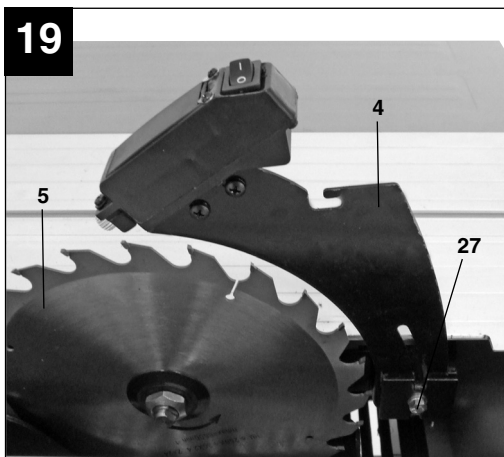
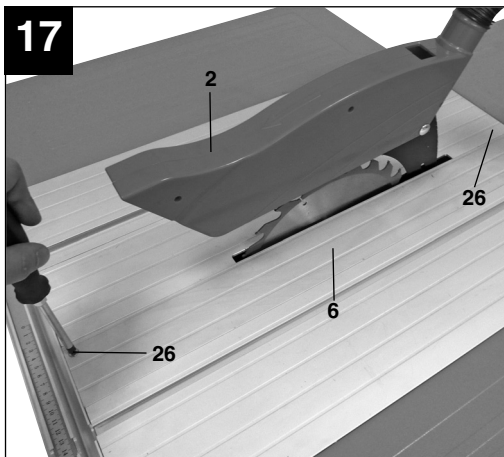
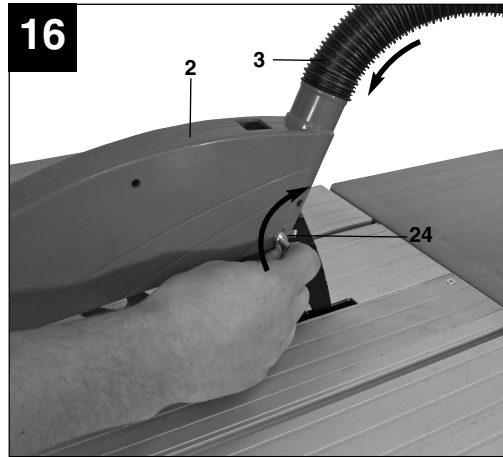
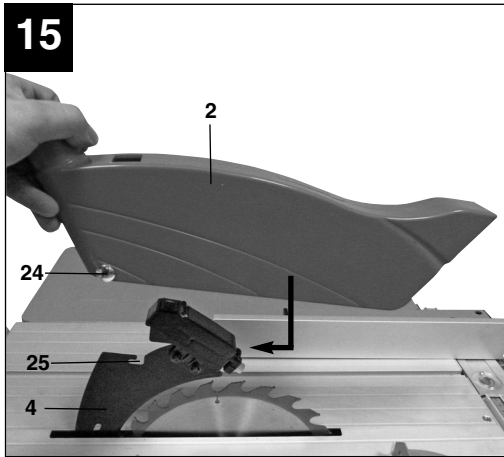
Great care has gone into the manufacture of this product and it should therefore provide you with years of good service when used properly. In the event of product failure within its intended use over the course of the first 1 year after the date of purchase, we will remedy the problem as quickly as possible once it has been brought to our attention. In the unlikely event of such an occurrence, or if you require any information about the product please contact us via our after sales support services, details of which can be found in this manual and on the product itself.

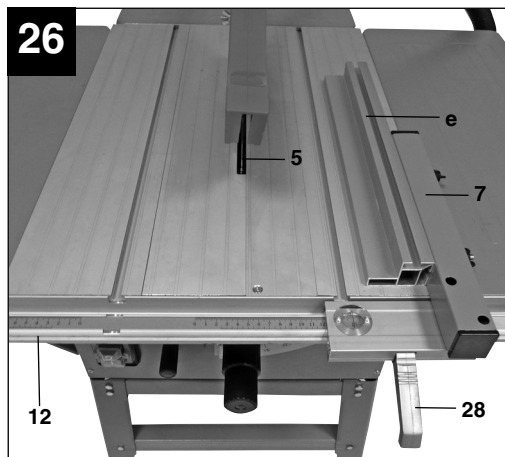
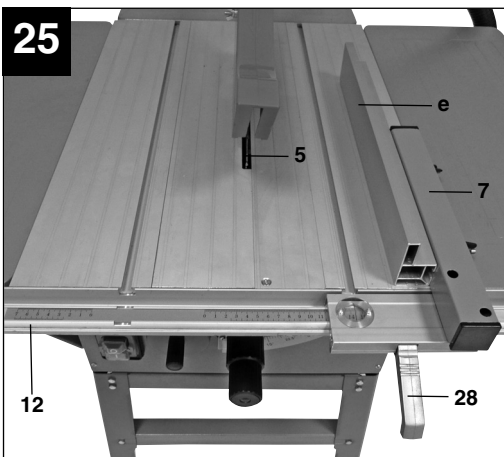
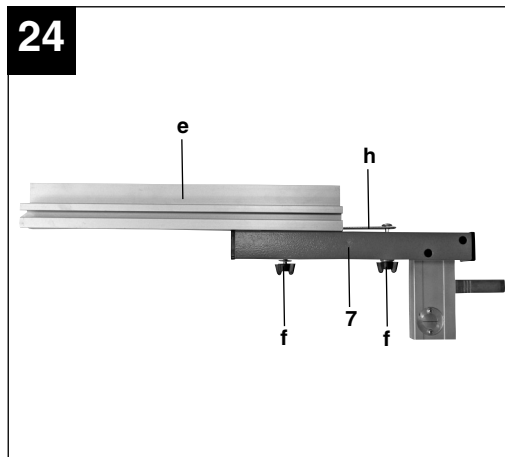
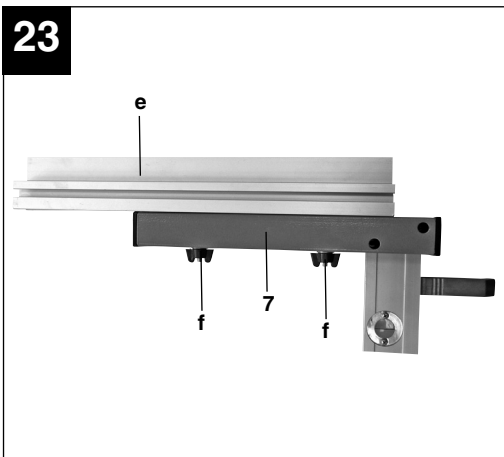
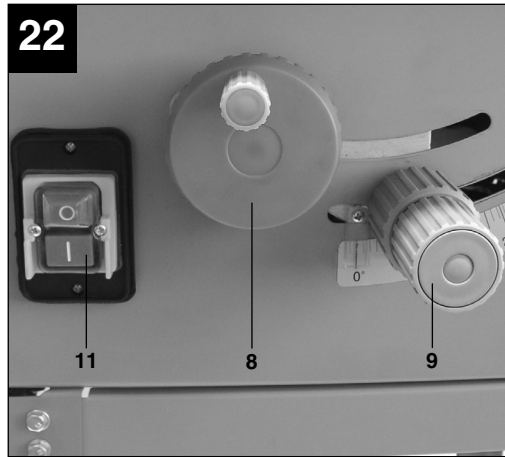
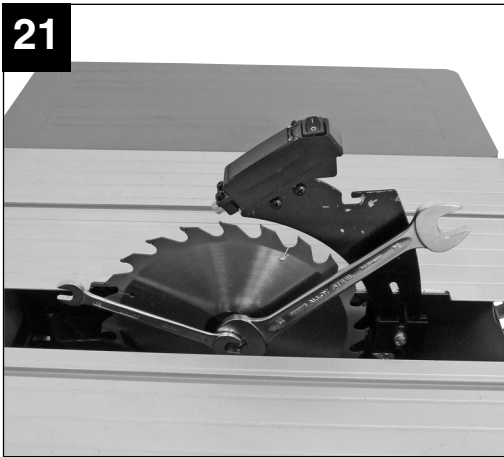


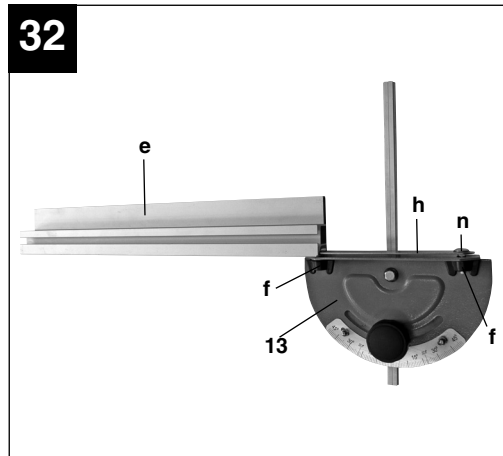
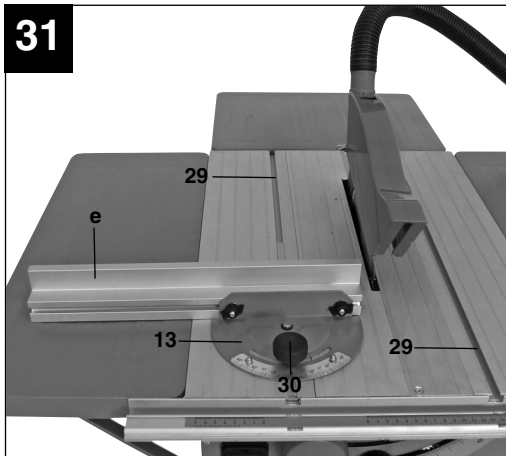
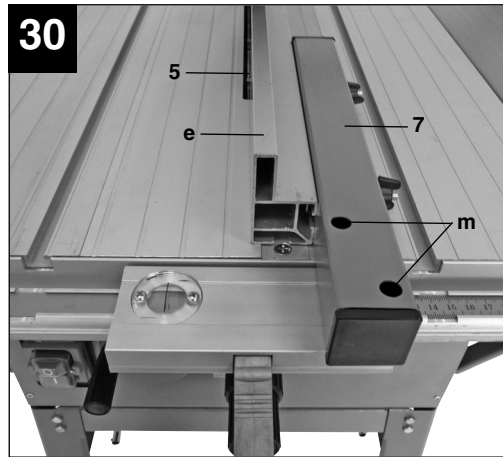
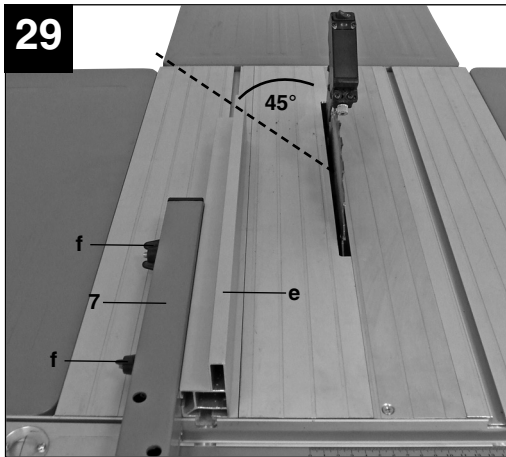
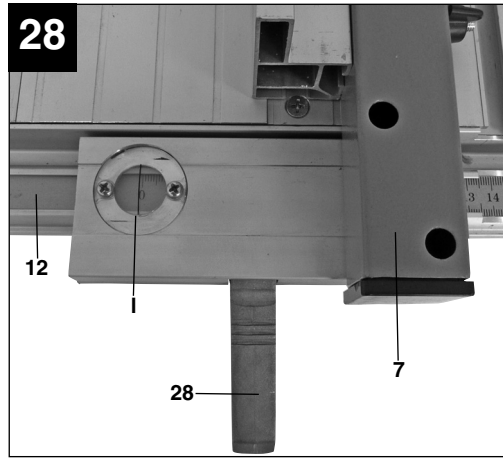
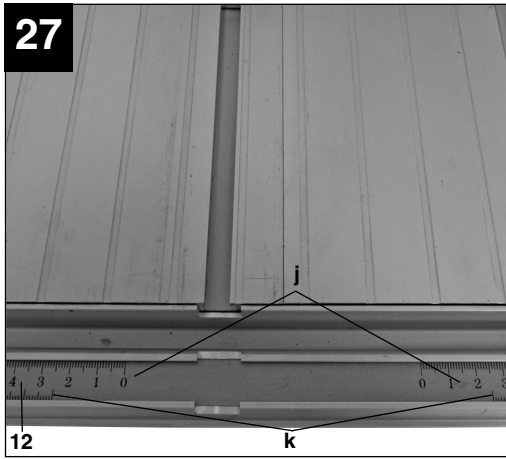


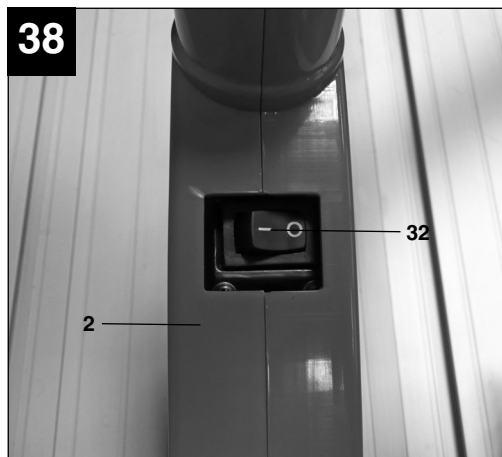
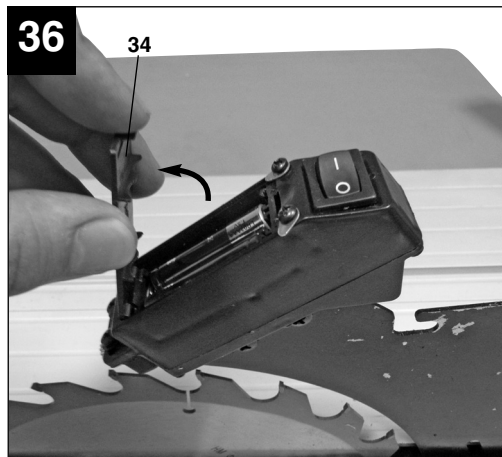
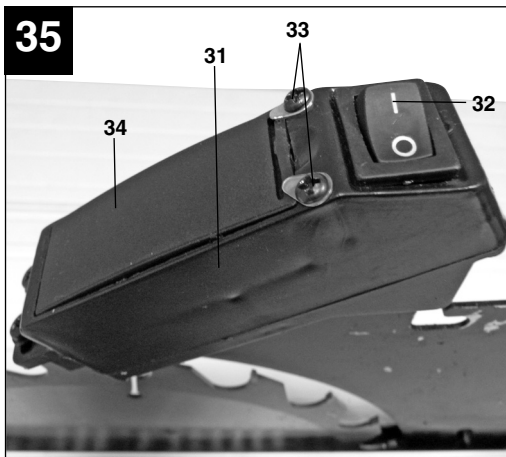
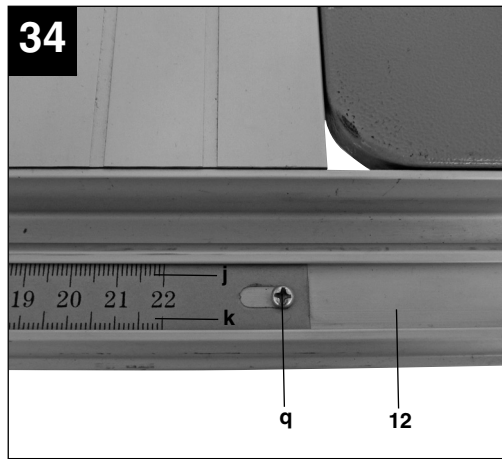
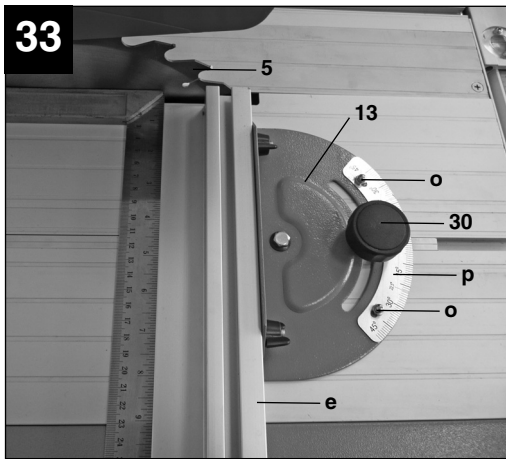


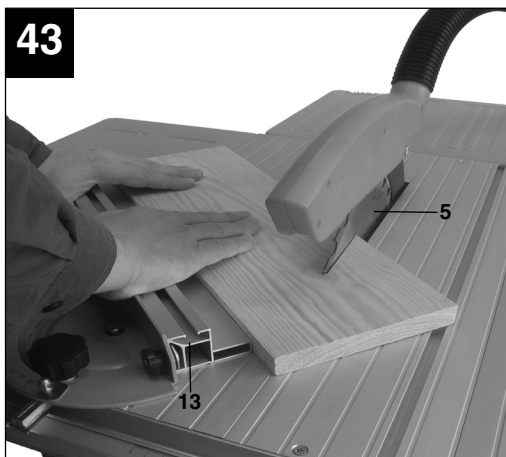
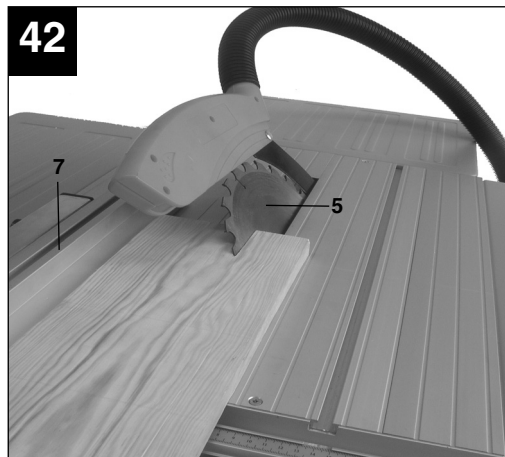
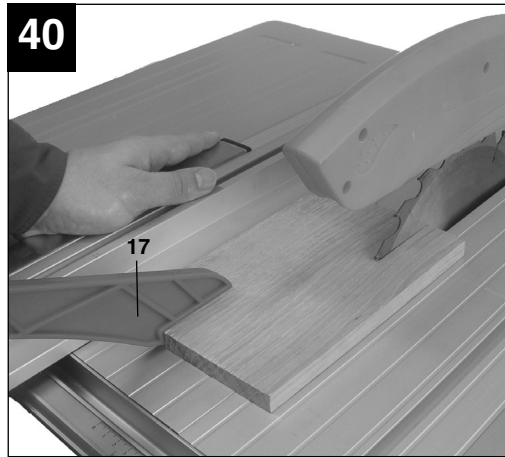
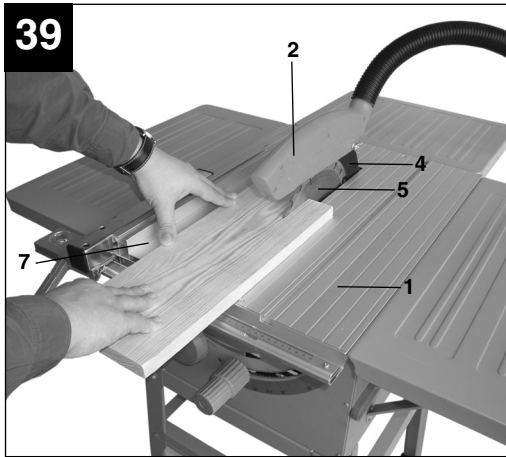












⚠ Important!

When using equipment, a few safety precautions must be observed to avoid injuries and damage. Please read the complete operating manual with due care. Keep this manual in a safe place, so that the information is available at all times. If you give the equipment to any other person, give them these operating instructions as well.

We accept no liability for damage or accidents which arise due to non-observance of these instructions and the safety information.

1. Special safety instructions**⚠ CAUTION****Read all safety regulations and instructions.**

Any errors made in following the safety regulations and instructions may result in an electric shock, fire and/or serious injury.

Keep all safety regulations and instructions in a safe place for future use.**2.1 Explanation of the symbols on the machine**

Read the directions for use!



Caution: Risk of injury! Do not touch the saw blade when it is moving!



Wear a dust mask if dust forms.



Wear ear protection!



Wear safety goggles.



Wear safety gloves.

1.2 General safety instructions for electrical equipment

Caution: When using electrical tools, the following safety measures are to be taken to prevent electric shocks, injuries and risk of fire. Read these instructions carefully before using this equipment.

1. **Keep your work area tidy**
Untidiness in the workplace can lead to risk of accidents.
2. **Take into account influences from the surrounding environment**
Do not expose electrical appliances to rain. Do not use electric tools in damp or wet environments. Provide good lighting. Do not use electric tools near flammable liquids or gases.
3. **Protect against electric shock**
Avoid bodily contact with earthed parts, for example pipes, heaters, ovens and fridges.
4. **Keep other people away!**
Do not let other people gain access to the tool or cable, keep them away from your workplace.
5. **Store the equipment safely and securely**
Unused equipment must be stored in a dry, locked room, out of the reach of children.
6. **Do not overburden the tool**
It will work better and safer when used within its quoted capacity range.
7. **Use the correct tool**
Do not use weak tools or attachments for heavy duty work.
Never use the electric tool for purposes other than that for which it is designed, for example do not use the hand-held circular saw to fell trees or cut branches.
8. **Wear suitable work clothes**
Do not wear loose clothing or jewellery. It could get caught in moving parts. Rubber gloves and non-slip shoes are recommended when working outdoors. If you have long hair, wear a hair-net.
9. **Wear safety goggles**
Use a dust mask when working on dusty jobs.

10. Do not use the cable for purposes other than that for which it is designed.

Do not carry the tool by the cable and do not use it to pull the plug out of the socket. Do not carry the charger by the cable and do not use it to pull the plug out of the socket.

11. Secure the workpiece

Use clamps or a vice to hold the workpiece securely. This is safer than using your hand, and also makes it possible to use the machine with both hands.

12. Take care that your feet are a stable distance apart

Avoid abnormal working postures. Make sure you stand squarely and keep your balance at all times.

13. Take good care of your tools

Keep your tools sharp and clean to keep them working safely and efficiently. Observe the maintenance instructions and the notes about changing tools. Check the plug and cable regularly, and if they are damaged, have them replaced by a certified expert. Check extension leads regularly and replace these if damaged. Keep handles dry, clean and free from oil and grease.

14. Pull the power plug

When not in use, before maintenance work or when changing tools, such as saw blade, drill and machine tools of any kind.

15. Always remove keys and wrenches after use.

Before switching on, make sure that all keys and wrenches have been removed from the tool.

16. Avoid unsupervised operation

Never carry mains-powered tools with your finger on the switch. Make sure the switch is OFF when connecting the tool to the mains.

17. Outdoor use of extension cables

For outdoor use, only use approved and appropriately labelled extension cables.

18. Be alert at all times

Observe your work. Work carefully. Never use the electric tool when you are distracted.

19. Check the appliance for damage

Before using the equipment further, check that safety equipment or slightly damaged parts are in good working order and function correctly. Check that the moving parts are working correctly, that they do not jam, and that no parts are damaged. Make sure that all parts are fitted correctly, to ensure that the equipment remains safe to use.

Damaged safety devices and parts must be repaired or replaced by experts in a customer service workshop, unless otherwise stated in the manual. Damaged switches must be replaced by a customer service workshop. Do not use equipment for which the on-off switch does not correctly function.

20. Important!

For your own safety, only use accessories and auxiliaries which are stated in the operating instructions or which have been recommended or indicated by the manufacturer. Use of any other attachments or accessories than those stated in the operating instructions or in the catalogue could lead to personal injury.

21. Repairs should only be done by an expert

This electric tool complies with the pertinent safety regulations. Repair work may only be carried out by an electrician. Otherwise there is a risk of accidents for the operator.

22. Attach the dust extraction system

If there are apparatuses available for the attachment of the dust extraction system, make sure these are connected and used.

1.3 Additional safety instructions**1.3.1 Safety measures**

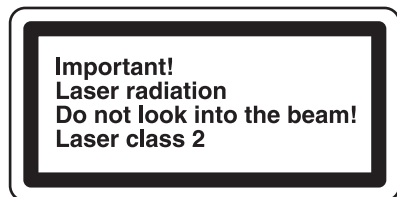
- Blades that are deformed or cracked must not be used.
- Replace worn out table inserts.
- Use only blades which are recommended by the manufacturer and comply with EN 847-1. When changing the blade, make sure that the cutting width is not smaller and the saw plate not bigger than the thickness of the splitter.

- Make sure that the chosen blade is suitable for the material that is to be cut.
- If necessary, wear suitable personal protection equipment. This could consist of:
 - Ear plugs to prevent the risk of damaging your hearing;
 - A breathing mask to avoid the risk of inhaling hazardous dust.
 - Always wear gloves when handling saw blades and rough materials. Whenever practicable, saw blades must be carried in a container.
- When sawing wood, circular saws must be connected to a dust-catching device. The following can have an influence on dust development:
 - Worn, damaged or cracked saw blades
 - Recommended extracting power of the dust extraction system: 20 m/s
 - Proper guidance of the workpiece
- Blades made of high-alloy high-speed steel (HSS) must not be used.
- Keep the push stick or handle for a push block at the machine at all times, even when you are not using them.

1.3.2 Safety instructions for the laser



Important:
Laser radiation
Do not look into the beam



Laser class 2

Protect yourself and your environment from accidents by taking the appropriate precautionary measures.

- Do not look directly into the laser beam with the naked eye.
- Never look directly into the laser path.

- Never direct the laser beam at reflecting surfaces or persons or animals. Even a low output laser beam can inflict injury on the eye.
- Caution: It is vital to follow the work procedures described in these instructions. Using the equipment in any other way may result in hazardous exposure to laser radiation.
- Never open laser module.

1.3.3 Safety instructions for the batteries

Use of batteries

- Make sure the laser switch (32) is in the "0" position before inserting the batteries.
- Inserting the batteries when the laser is switched on can lead to accidents.
- If the laser is used improperly, the batteries could leak. Avoid contact with the battery fluid. In case of coming into contact with the battery fluid, clean the affected area thoroughly with running water. If battery fluid should get into the eyes, contact a doctor immediately.
- Leaked battery fluid is an irritant and may cause skin burns.
- Do not leave batteries exposed to excessive heat such as sunshine, fire or similar.
- Never recharge batteries which are not designed to be recharged. There is a risk of explosion!
- Keep batteries away from children, do not short-circuit them and do not disassemble them.
- Seek the advice of a doctor if a battery has been swallowed.
- Clean the contacts on the appliance and battery before inserting the battery.
- Make sure that the polarity is correct.
- Remove discharged batteries immediately from the appliance. Increased risk of leakage.
- Always replace all the batteries at the same time.
- Only insert batteries of the same type. Never use different battery types or used and unused batteries together.
- Make sure the appliance is switched off after use.

- Remove the batteries when the appliance is out of use for a long period of time.

1.3.4 Maintenance and servicing

- The following conditions can have an influence on noise impact on the operator:
 - Type of saw blade (e.g. saw blades designed to reduce noise exposure)
 - Material of the workpiece
 - The force with which the workpiece is pushed against the saw blade
- Faults on the machine or its guards, safety devices and blade must be reported to the person in charge as soon as they are discovered.

1.3.5 Safe operation

- Use a push stick or the handle with a push block to feed the workpiece safely past the saw blade.
- Use the splitter and set it correctly.
- Use the upper blade guard and set it to the correct position.
- Do not cut rebates or grooves without fitting a suitable guard, e.g. a tunnel-type guard, over the saw table.
- Circular saws must not be used for slotting jobs (cutting grooves which end in the workpiece).
- Use only blades whose permissible maximum speed is not lower than the maximum spindle speed of the bench-type circular saw and of the material to be cut.
- Use only the transport devices to move the machine. Never use the guards for handling or moving the machine.
- While you are moving the machine it is best to cover the top part of the blade, e.g. with the guard.
- Secure long workpieces against falling off at the end of the cut (e.g. with a roller stand)

1.3.6 Additional instructions

- Give these safety regulations to all persons who work on the machine.
- Do not use this saw to cut fire wood.
- Do not use this saw to cross-cut round wood.

- Caution! Hands and fingers may be injured on the rotating saw blade.
- The machine is equipped with a safety switch to prevent it being switched on again accidentally after a power failure.
- Before you use the machine for the first time, check that the voltage marked on the rating plate is the same as your mains voltage.
- If you need to use an extension cable, make sure its conductor cross-section is big enough for the saw's power consumption. Minimum cross-section: 1 mm².
- If you use a cable reel, the complete cable must be pulled off the reel.
- Check the power cable. Never use a faulty or damaged power cable.
- The operating person must be over 18, or in the case of apprentices over 16, must be under supervision.
- Keep your workplace clean of wood scrap and any unnecessary objects.
- Persons working on the machine should not be distracted.
- Pay attention to the direction of rotation of the motor and saw blade.
- After you have switched off the motor, never slow down the saw blade by applying pressure to its side.
- Only fit blades which are well sharpened and have no cracks or deformations.
- Never dismantle the machine's safety devices or render them inoperative.
- Faulty saw blades must be replaced immediately.
- Never use saw blades which do not comply with the data specified in this manual.
- It is imperative to make sure that all devices which cover the saw blade are in good working order.
- **Important:** It is prohibited to use this saw to make plunge cuts.
- Damaged or faulty safety devices have to be replaced immediately.

- The splitter is an important safety device. Not only does it guide the workpiece, it also prevents the kerf closing behind the blade so that there is no recoil from the workpiece. Note the thickness of the splitter. The splitter should never be thinner than the saw blade body or thicker than the width of its kerf.
- The guard hood has to be lowered over the workpiece for each cut.
- Be sure to use a push stick when slitting narrow workpieces (smaller than 120 mm in width).
- Never cut workpieces which are too small to hold securely in your hand.
- It is imperative for the parallel stop to be clamped on the right-hand side of the blade whenever you cut narrow workpieces to size.
- Always stand to the side of the saw blade when working with the saw.
- Never load the machine so much that it cuts out.
- Always press the workpiece firmly against the saw table.
- Make sure that off-cuts do not catch on the saw blade crown. Risk of catapulting.
- Refit all guards and safety devices immediately after you have completed any repairs or maintenance work.
- Be sure to observe the safety information and operating and maintenance instructions issued by the manufacturer, as well as the dimensions listed in the Technical Data.
- It is imperative to observe the accident prevention regulations in force in your area as well as all other generally recognized rules of safety.
- Note the information published by your professional associations.
- Connect up the dust extraction system on all jobs. The operator has to be informed about the conditions with an influence on dust development, e.g. the type of material being processed (source and collection of the dust), the significance of local separation arrangements, and the correct setting of hoods, baffle plates and guides).
- Operate the saw only with a suitable vacuum extraction system or a standard industrial vacuum cleaner.
- Never remove loose splinters, chips or jammed pieces of wood when the saw blade is running.
- To rectify faults or remove jammed pieces of wood, always switch off the machine first. Pull the power plug -
- If the sawing gap is worn, replace the table insert. Pull the power plug -
- This electric tool complies with the pertinent safety regulations.
- Keep your work area clean and tidy. Untidy and unlit work areas can result in accidents.
- Keep the tool out of the rain and away from moisture. The ingress of water into an electric tool increases the risk of an electric shock.
- Be careful, watch what you are doing and use an electric tool sensibly. Do not use the tool if you are tired or under the influence of drugs, alcohol or medication. A moment of inattention when using the electric tool can result in serious injuries.
- Do not use an electric tool with a defective switch. An electric tool that cannot be switched on or off is dangerous and must be repaired.
- Keep unused electric tools out of the reach of children. Do not allow people who are not familiar with the tool or who have not read these instructions to use the tool. Electric tools are dangerous if they are used by inexperienced people.
- Keep your cutting tools sharp and clean. Carefully maintained cutting tools with sharp cutting edges will jam less and are easier to control.
- If the connection lead on the electric tool is damaged, it must be replaced by a specially prepared connection lead available from our customer service organization.
- Have your tool repaired only by trained personnel using only genuine spare parts. This will ensure that your tool maintains its safety standard.
- The machine has to be set up where it can stand securely.

- All covers and safety devices have to be properly fitted before the machine is switched on.
- It must be possible for the blade to run freely.
- When working with wood that has been processed before, watch out for foreign bodies such as nails or screws etc.
- Before you actuate the On/Off switch, make sure that the saw blade is correctly fitted and that the machine's moving parts run smoothly.
- Use clamps or a vise to hold the workpiece securely. This is safer than using your hand.
- Follow the instructions for lubrication and changing tools.
- Keep handles dry, clean and free from oil and grease.
- Keep the push stick or handle for a push block at the machine at all times, even when you are not using them.
- Do not cut rebates or grooves without fitting a suitable guard, e.g. a tunnel-type guard, over the saw table.
- Use only the transport device for transporting the machine.
- While you are moving the machine it is best to cover the top part of the blade, for example using a guard.

Do not misplace these safety instructions.

2. Layout

1. Saw bench
2. Saw blade guard
3. Extractor hose
4. Splitter
5. Saw blade
6. Table insert
7. Parallel stop
8. Hand crank
9. Adjustment and locking grip
10. Base frame
11. ON/OFF switch
12. Chain bar for parallel stop
13. Cross stop
14. Width extension table

15. Length extension table
16. Extractor adapter
17. Push stick
18. Legs
19. Longitudinal and cross-struts
20. Middle struts
21. Rubber feet
22. Stability bar
23. Table supports
24. Screw with wing nut
25. Oval holes
26. Countersunk screws
27. Fixing screw
28. Eccentric lever
29. Groove
30. Knurled screw
31. Laser
32. ON/OFF Switch for laser
33. Screws for battery compartment
34. Battery compartment cover

3. Items supplied

- Operating Instructions
- 2 x Battery 1.5V LR 03
- Base frame
- Bench circular saw
- 2 Carbide metal covered saw blades (1x 24 teeth, 1x 48 teeth)
- Parallel stop
- Cross stop
- Push stick

4. Proper use

The bench-type circular saw is designed for the slitting and cross-cutting (only with the cross stop) of all types of timber, commensurate with the machine's size. The machine is **not** to be used for cutting any type of round wood.

The equipment may only be used for the tasks it is designed to handle. Any other use is deemed to be a case of misuse. The user/operator - not the manufacturer - will be liable for any damage or injuries caused as a result thereof.

Please note that our equipment has not been designed for use in commercial, trade or industrial applications. Our warranty will be voided if the equipment is used in commercial, trade or industrial businesses or for equivalent purposes.

Only saw blades designed for the machine should be used (HM or CV saw blades). Use of HSS saw blades and cutting disks is prohibited. To use the machine properly you must also observe the safety instructions, the assembly instructions and the operating instructions to be found in this manual.

All persons who use and service the equipment have to be acquainted with this manual and must be informed about the machine's potential hazards. It is also imperative to observe the accident prevention regulations in force in your area. The same applies for the general rules of health and safety at work.

The manufacturer will not be liable for any changes made to the machine nor for any damage resulting from such changes. Even when the equipment is used as prescribed it is still impossible to eliminate certain residual risk factors. The following hazards may arise in connection with the machine's construction and design:

- Contact with the saw blade in places where it is not covered.
- Reaching into the moving saw blade (cuts)
- Recoil of workpieces and parts of workpieces from the machine.
- Breakage of the saw blade.
- Expulsion of defective hard metal parts from the saw blade.
- Damage to hearing if ear-muffs are not used as necessary.
- Harmful emissions of wood dust when used in closed rooms.

5. Technical data

AC motor	240 V ~ 50Hz
Power rating P	S6 40% 1700 W
Idle speed n_0	6,500 rpm
Carbide saw blade	Ø 250 x Ø 30 x 2.4 mm
Number of teeth	24/48
Bench size	610 x 445 mm
Table width extension, left/right	608 x 250 mm
Table length extension, rear	435 x 320 mm
Cutting height max.	72 mm / 90° 54 mm / 45°
Height adjustment	infinite 0 - 72 mm
Tilting saw blade	infinite 0° - 45°
Dust extraction connector	Ø 36 mm
Dimensions of the tool including removable parts:	28.2 kg

Operating mode S6: Continuous operation with idling (cycle time 10 minutes.)

To prevent unnecessary heating of the motor, the bench circular saw may only be used in the following ways:

After operation for 4 minutes (S 6 = 40%) with normal permitted workload, a break of 6 minutes must follow, in order to let the circular saw idle and cool.

Noise emission values

	Idle speed
sound pressure level L_{pA}	101 dB(A)
sound power level L_{WA}	110 dB(A)

The quoted values are emission values and not necessarily reliable workplace values. Although there is a correlation between emission and immission levels it is impossible to draw any certain conclusions as to the need for additional precautions. Factors with a potential influence on the actual immission level at the workplace include the duration of impact, the type of room, and other sources of noise etc., e.g. the number of machines and other neighbouring

operations. Reliable workplace values may also vary from country to country. With this information the user should at least be able to make a better assessment of the dangers and risks involved.

6. Before starting the machine

- Before you connect the appliance to the mains supply make sure that the data on the rating plate are identical to the mains data.
- Always pull the power plug before making adjustments to the equipment
- Unpack the saw and check it for damage which may have occurred in transit.
- The machine has to be set up where it can stand firmly, e.g. on a work bench, or it must be bolted to a strong base.
- All covers and safety devices have to be properly fitted before the machine is switched on.
- It must be possible for the blade to run freely.
- When working with wood that has been processed before, watch out for foreign bodies such as nails or screws, etc.
- Before you actuate the On/Off switch, make sure that the saw blade is correctly fitted and that the machine's moving parts run smoothly.

7. Installation

Caution: Pull out the power plug before carrying out any maintenance, alteration or assembly work on the table circular saw.

7.1 Fitting the base frame (Fig. 4-9)

- Turn the bench circular saw around and lay it on the floor
- Screw the four legs (18) loosely to the saw with the short hex screws (c) and washers (a).
- The legs (18) with the two holes which lie one above the other on the underside must be mounted at the rear of the machine, so that the holes are facing the rear. (Fig. 5)

- Now fasten the longitudinal and cross struts (19), as well as the middle struts (20) loosely with the hex screw (c), washers (a) and nuts (b), to the legs (Figs. 6, 7).
- Only screw the hex screws (c) and nuts (b) loosely. **Important:** The longer struts must be used on the sides.
- Screw the stability bar (22) to the holes on the rear legs (18) with 2 long hex screws (c), washers (a), locking ring and nuts each. (Figure 8)
Caution:
Both stability bars must be attached to the rear side of the machine.
- Now attach the rubber feet (21) to the legs (18). (Figure 9)
- Then screw all of the screws and nuts to the base frame.

7.2 Attaching the table length and width extensions (Fig. 10-14)

- Loosely attach the table width and length extensions (14/15) to the saw bench (1) with the hex screws (c), washers (a) and nuts (b). (Figure 12-13).
- Screw the supports (23) loosely to the housing of the bench saw and to the table width/length extensions. (Short supports for width extension, long supports for length extension) (Fig 13-14).
- Adjust the table width and length according to the saw bench (1).
- Finally, tighten all screws.
- Turn the saw and base frame around and set it on the floor.

7.3 Assembling/disassembling the saw blade guard (Fig. 2, 15-16)

- Set the saw blade guard (2) with screw (24) from above onto the splitter (4), so that the screw sits firmly in the oval hole (25).
- Do not tighten the screw (24) too much; the saw blade must be able to move freely.
- Attach the extractor hose (3) to the extractor adapter (16) and to the extraction port of the saw blade guard (2) and screw them to the extractor adapter with the safety clamp (16). Connect a suitable chip extraction system to the extractor adapter (16).

- To dismantle, proceed in reverse order.
Caution:
Before starting to saw, the saw blade guard (2) must be lowered onto to the workpiece.

7.4 Replacing the table insert (Fig. 17-18)

- If the table insert is worn or damaged, it should be replaced, otherwise risk of injury is increased.
- Take off the saw blade guard (2) (see 7.3)
- Remove the 2 countersunk screws (26)
- Remove the worn table inserts (6)
- Assembly of the new table inserts is to be carried out in reverse order.

7.5 Adjusting the splitter (Fig. 19-20)

- **Caution: Pull out the power plug.**
- Set the saw blade (5) to max. cutting depth. Adjust and lock the cutting depth into the 0° position (see Fig. 8.2).
- Disassemble the saw blade guard (see 7.3)
- Remove the table inserts (6) (see 7.4)
- Loosen the fixing screws (27).

7.5.1 Setting for maximum cuts

- Push up the splitter (4) until the gap between the saw table (1) and the upper edge of the splitter (4) is at 10cm.
- The distance between saw blade (5) and splitter (4) should be a maximum of 5mm. (Fig. 20)
- Re-tighten the screws (27) and assemble the table inserts (6) (see 7.4).

7.6 Assembly/Changing the saw blade (Fig. 21)

- **Caution: Pull out the power plug first.**
- Detach the saw blade guard (2) (see Fig. 7.3).
- Remove the table inserts by loosening the 2 countersunk screws (see 7.4)
- Loosen the nut (**Caution!** Turn the nut in the direction in which the saw blade rotates) by using a wrench (SW 24) on the nut and another wrench (SW 10) on the motor shaft to apply counter-pressure.

- Remove the outer flange and withdraw the old saw blade diagonally from the inner flange.
- Clean the blade flange thoroughly before fitting the new blade.
- Mount and fasten the new saw blade in reverse order.
Caution: Note the running direction. The cutting angle of the teeth must point in running direction, i.e. forwards (see the arrow on the blade guard).
- Refit and set the table insert (6) and the saw blade guard (2) (see 8.4, 8.5)
- Check to make sure that all safety devices are properly mounted and in good working condition before you begin working with the saw again.

8. Operation

8.1 ON/OFF Switch (Fig. 22/pos. 11)

- The saw can be switched on by pressing the green button "I". Before starting to saw, wait until the saw blade has reached its maximum rotation speed.
- In order to switch the saw off again, the red button "0" must be pressed.

8.2 Cutting depth (Fig. 22)

- By turning the hand crank (8), the saw blade (5) can be adjusted to the desired cutting depth.

Anticlockwise direction: Larger cutting depth
Clockwise direction: Smaller cutting depth

8.3 Setting the angle (Fig. 22)

- Loosen the locking grip (9)
- Set the desired angle on the scale by turning the handle.
- Lock the locking grip to the desired angularity.

8.4 Parallel stop

8.4.1 Stop height (Fig. 23-26)

- The stop rail (e) of the parallel stop (7) has two different guide faces.
- According to the thickness of the material to be cut, the stop rail must be used according to Fig. 25 for thick material (over 25mm workpiece thickness), and according to Fig. 26 for thin material (under 25mm workpiece thickness).

8.4.2 Turn the stop rail (Fig. 23-26)

- Loosen the wing nuts (f) first in order to turn the stop rail (e).
- Now the stop rail can be removed from the chain bar (h) and replaced with the correct guide on the guide rail.
- Re-attach the wing nuts (f).

8.4.3 Cutting width (Fig. 26-28)

- The parallel stop (7) has to be used when making longitudinal cuts in wooden workpieces.
- The parallel stop (7) should be mounted on the right-hand side of the saw blade (5).
- Set the parallel stop (7) onto the parallel stop chain bar (12) (Fig. 26)
- On the parallel stop chain bar (12) there are 2 scales (j/k) which indicate the distance between the stop rail (e) and saw blade (5) (Fig. 27)
- Choose the correct scale, depending on whether the parallel stop (e) is turned for working with thick or thin material.

High parallel stop (thick material): Scale j

Low parallel stop (thin material): Scale k

- Adjust the parallel stop (7) to the desired dimension on the gauge (l) and fasten with the eccentric lever for the parallel stop (28).

8.4.4 Adjusting the stopping length (Fig. 29)

- In order to avoid jamming of the workpiece, the stop rail (e) is longitudinally adjustable.
- Rule of thumb: The rear end of the stop is connected to an imaginary line, which begins approximately at the middle of the saw blade, and runs towards the rear at an angle of 45°.
- Set the required cutting width.
- Slacken the thumb screws (f) and push the stop rail (e) forward until it touches the imaginary 45° line.
- Re-tighten the wing nuts (f)

8.5 Adjusting the parallel stop (Fig. 30)

- Adjust the saw blade to maximum cutting depth (see also 8.2).
- Adjust the parallel stop (7) so that the stop rail (e) touches the saw blade (5) (Setting for thick material, see also 8.4)
- If the parallel stop (7) is not lined up with the saw blade (5), loosen the screws (m) enough to let the parallel stop align itself parallel to the saw blade (5) (Fig. 30)
- Re-tighten the screws (m)

8.6 Cross stop (Fig. 31-32)

- Insert the cross stop (13) into the groove (29) of the saw table.
- Loosen knurled screw (30)
- Turn the cross stop (13) until the arrow points to the angle required.
- Re-tighten the knurled screws (30)
- When cutting larger workpieces, the cross stop (13) can be lengthened with the stop rail (e) of the parallel stop (7) (Fig. 32)
- In order to lengthen the cross stop (13) with the stop rail (e), the stop rail (e), the chain bar (h) and the wing nuts (f) together with the washer from the parallel stop (7) must be removed. Now the stop rail is to be attached as shown in Fig. 32. To do this, use the carriage bolt (n).

Caution:

- Do not push the stop rail (e) too far toward the blade.
- Distance between the stop rail (e) and saw blade (5) should be about 2cm.

8.7 Adjusting the scale of the cross stop (Fig. 33)

- Set an angle of 90° on the saw blade (5).
- Attach the cross stop (13) to the stop rail (e) of the parallel stop (7). (See also 8.4).
- Loosen the knurled screw (30) on the cross stop (13).
- Position the cross stop (13) so that the stop rail is at a 90° angle to the saw blade (5). Now align the cross stop exactly with the saw blade with the aid of the 90° angle and re-tighten the knurled screw (30).
- Check that the cross stop shows exactly 90°. If this is not the case, proceed as follows:
- Loosen both screws (o) which are holding the scale (p) of the cross stop (13) to the cross stop enough so that this can be adjusted to the correct position.
- Now re-tighten the screws (o).

8.8 Adjusting the scale on the saw bench (Fig. 28; 34)

- Make sure that the parallel stop (7) runs in line with the saw blade (5) (see also 8.5)
- Set the parallel stop so that it touches the saw blade (5) (Setting for thick material, see also 8.4)
- Loosen the screw (q) which attaches the scale (j/k) to the chain bar (12) by about 2 turns.
- Adjust the scale (j/k) so that the line on the gauge (l) of the parallel stop (7) is the same as the zero line on the scale (j).
- Re-tighten the screw (q).

8.9 Using the laser (Fig 35-38)

- The laser (31) enables you to make precision cuts with your circular saw.
- The laser light is produced by a laser diode which is powered by two batteries. The laser light is enlarged to form a line and is emitted through the laser emission aperture. You can then use the line as an optical marker for the sawing line for precision cuts. Follow the laser safety instructions.
- Insertion of batteries:
 - Remove the saw blade guard (2). (See 7.3) The laser is attached to the splitter (4) and therefore now easily accessible.
 - Set the Laser ON/OFF switch (32) to the 0 position (laser off).
 - To remove the battery compartment cover (34), loosen the screw (33) and fold the battery compartment away sideways.
 - Insert the batteries. Make sure of the right polarity (see Fig. 37).
 - Replace the battery compartment cover (34) and fasten it with the screws (33).
- Re-attach the saw blade guard (2).
- To switch the laser ON: Set the ON/OFF switch to I. The ON/OFF switch (32) is easily accessible when the saw blade guard is attached (2) because of a recess in the saw blade guard (Fig. 38). Now a red laser beam is projected from the laser emission aperture. Using a laser beam along the intersection marking when sawing can ensure more precise cuts.
- To switch the laser OFF: Set the ON/OFF switch (32) to 0. The laser beam is extinguished. Please turn the laser off when it is not being used, to protect the batteries.
- The laser beam can be affected by deposits of dust and chips. Therefore remove these particles from the laser emission aperture after each use.

9. Operation

Important!!

- After each new adjustment, we recommend a trial cut to test the adjusted measurement.
- After turning the saw on, wait until the saw blade has reached its maximum rotation speed before starting to cut.
- Caution when cutting into the wood.
- Suitability of the saw blades:
24 Teeth: Soft materials, high chip depth, rough cutting finish
48 Teeth: Hard materials, lower chip depth, fine cutting finish

9.1 Making long cuts (Fig. 39)

- Longitudinal cutting (also known as slitting) is when you use the saw to cut along the grain of the wood. One edge of the workpiece is pressed against the parallel stop (7) whilst the flat side rests on the sawing table (1). The saw blade guard (2) must always be lowered onto the workpiece. When you make a longitudinal cut, never adopt a working position that is in line with the cutting direction.
- Adjust the parallel stop (7) according to the height of the workpiece and the desired width. (see 8.4)
- Switch on the saw.
- When sliding the workpiece along the parallel stop (7) into the saw blade (5), hands should be laid flat onto the workpiece, with fingers together.
- Guide at the side with your left or right hand (depending on the position of the parallel stop) only as far as the front edge of the saw blade guard (2).
- Slide the workpiece through, up until the end of the splitter (4).
- The sawing waste stays on the sawing table (1) until the saw blade (5) is no longer moving.
- Long workpieces should be secured, to prevent tilting at the end of the cutting process. (e.g. cable winders, etc.)

9.1.1 Cutting narrow workpieces (Fig. 40)

- Longitudinal cuts on workpieces narrower than 120mm must **always** be carried out with the help of a push stick (17). A push stick is included in the items supplied.
Replace a worn or damaged push stick immediately.

9.1.2 Cutting very narrow workpieces (Fig. 41)

- Be sure to use a push block when making longitudinal cuts in very narrow workpieces with a width of 30 mm and less.
- The lower guide face of the parallel stop is best used in this case.
- **The push block is not supplied with the machine! (Available from appropriate dealer). Replace the push block without delay when it becomes worn.**

9.1.3 Making cross cuts (Fig. 42)

Diagonal cuts should only be carried out using the parallel stop (7).

- Set the blade (5) to the desired angle. (see 8.3)
- Adjust the parallel stop (7) according to width and height of the workpiece (see 8.4).
- Make the cut in accordance with the width of the workpiece (see 9.1.1 and 9.1.2).

9.1.4 Making cross cuts (Fig. 43)

- Slide the cross stop (13) into one of the two grooves (29) on the sawing table and adjust to the desired angle (see 8.6). Should the saw blade (5) additionally be set diagonally, use the groove (29) which would not enable your hand and the cross stop to come into contact with the saw blade.
- If necessary, use a stop rail (e).
- Press the workpiece firmly against the cross stop (13).
- Switch on the saw.
- Push the cross stop (13) and the workpiece toward the blade in order to make the cut.
- **Important:**
Always hold the guided part of the workpiece. Never hold the part which is to be cut off.
- Push the cross stop (13) forward until the workpiece is cut all the way through.

- Switch off the saw again. Do not remove the offcut until the blade has stopped rotating.

9.1.5 Cutting particle board panels

To avoid break-off at the cut edges when cutting particle board, the saw blade (5) should not be set higher than 5mm more than the workpiece thickness (see also 8.2).

10. Replacing the power cable

If the power cable for this equipment is damaged, it must be replaced by the manufacturer or its after-sales service or similarly trained personnel to avoid danger.

11. Cleaning, maintenance and ordering of spare parts

Always pull out the mains power plug before starting any cleaning work.

11.1 Cleaning

- Keep all safety devices, air vents and the motor housing free of dirt and dust as far as possible. Wipe the appliance with a clean cloth or blast it with compressed air at low pressure.
- We recommend that you clean the appliance immediately after you use it.
- Clean the appliance regularly with a damp cloth and some soft soap. Do not use cleaning agents or solvents; these may be aggressive to the plastic parts in the appliance. Ensure that no water can get into the interior of the tool.

11.2 Carbon brushes

- In case of excessive sparking, have the carbon brushes checked by a qualified electrician. Caution: The carbon brushes should not be replaced by anyone but a qualified electrician.

11.3 Ordering replacement parts

Please provide the following information on all orders for spare parts:

- Model/type of the equipment
- Article number of the equipment
- ID number of the equipment

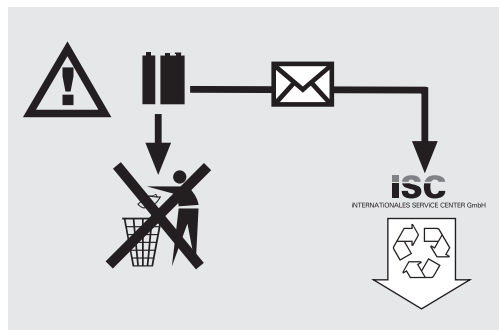
For our latest prices and information please go to www.isc-gmbh.info

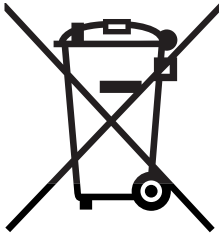
12. Disposal and recycling

The device is supplied in packaging to prevent its being damaged in transit. This packaging is raw material and can therefore be reused or can be returned to the raw material system. The appliance and its accessories are made of various types of material, such as metal and plastic. Defective components must be disposed of as special waste. Ask your dealer or your local council.

13. Disposal of batteries

Batteries contain substances which are harmful to the environment. Do not throw batteries into the normal household waste, into fire or into water. Batteries should be collected, recycled or disposed of in an environmentally friendly way. Send empty batteries to iSC GmbH, Eschenstraße 6 in D-94405 Landau. There, the manufacturer will dispose of the batteries in a professionally appropriate manner.

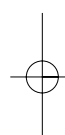
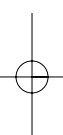




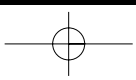
Never place any electric tools in your household refuse.

Seek advice on correct disposal from local waste authorities.





The reprinting or reproduction by any other means, in whole or in part, of documentation and papers accompanying products is permitted only with the express consent of ISC GmbH.





Technical changes subject to change

After Sales Support TEL: 1300 130 579 WEB: www.rossmac.com

