



GARDENLINE®



# Garden Pump

GLGP 1003

## Operating Instructions



 N16188

# Garden Pump

## What your 1 year warranty means

Great care has gone into the manufacture of this product and it should therefore provide you with years of good service when used properly. In the event of product failure within its intended use over the course of the first 1 year after the date of purchase, we will remedy the problem as quickly as possible once it has been brought to our attention. In the unlikely event of such an occurrence, or if you require any information about the product please contact us via our after sales support services, details of which can be found in this manual and on the product itself.

## Table of contents

|                               |        |
|-------------------------------|--------|
| 1. Safety instructions        | page 4 |
| 2. Layout                     | page 4 |
| 3. Proper use                 | page 4 |
| 4. Operating instructions     | page 5 |
| 5. Fitting the carry handle   | page 5 |
| 6. Electrical connections     | page 5 |
| 7. Fitting a suction pipe     | page 5 |
| 8. Pressure line connection   | page 6 |
| 9. Starting up                | page 6 |
| 10. Maintenance instructions  | page 6 |
| 11. Replacing the mains cable | page 6 |
| 12. Technical data            | page 6 |
| 13. Troubleshooting           | page 7 |
| 14. Ordering spare parts      | page 7 |



Before you put the water pump into operation, carefully read the following safety regulations and the operating instructions.


If you give the equipment to any other persons, give them the operating instructions as well.

**Keep these instructions in a safe place.**

### Packaging

The unit is supplied in packaging to prevent it from being damaged in transit. The raw materials in this packaging can be reused or recycled.

## 1. Safety instructions

- Please read the instructions for use very carefully and observe the information they contain. By referring to these instructions, familiarise yourself with the appliance, learn how to use it correctly, and note the safety precautions to be taken.
- Take the appropriate steps to ensure that children have no access to the appliance.
- The user of the appliance is responsible for any third parties in the work area.
- Before using the appliance for the first time, an electrician must check that the necessary electrical protection measures have been taken.
-  In stagnant water bodies, garden ponds, swimming ponds and their surrounding areas the pump may only be used with an earth-leakage circuit breaker with an actuating rated current of up to 30 mA (acc. to VDE 0100 part 702 and 738). The pump is not designed for use in swimming pools and paddling pools of any kind or other bodies of water in which people or animals may be present during operation. It is prohibited to operate the pump if a person or animal is in the danger area. Ask your electrician!
- Inspect the appliance before each use. Do not use the appliance if the safety devices are damaged or worn. Never deactivate the safety devices.
- Use the appliance only for the purposes specified in these instructions for use.
- You are responsible for safety in the work area.
- Should the pump cable or plug be damaged by external influences, the cable must not be repaired! The cable must be replaced with a new

one. This work is to be performed only by an electrician. (See section "Replacing the mains cable")

- Your mains supply must comply with the voltage of 240 V alternating voltage specified on the type plate.
- Never lift, transport or secure the pump by its power cable.
- Make sure the appliance is plugged into a socket in a place where there is no risk of flooding and which is protected against moisture.
- Always remove the plug from the socket before doing any work on the pump.
- Avoid exposing the pump to a direct jet of water.
- The operator is responsible for any local safety and installation regulations. (Ask your electrician for advice.)
- Rule out any indirect damage caused by the flooding of rooms following the failure of the pump by adopting the appropriate measures (e.g. the installation of an alarm system, a reserve pump or the like).
- Use only original spare parts
- Never let the pump run dry and never operate it with fully closed intake power. The manufacturer's warranty shall lapse if the pump is damaged due to it being allowed to run dry.
- The pump must not be used to operate swimming pools.
- The pump must not be installed in the drinking water pipe line.

## 2. Layout (see Fig. 1)

1. ON/OFF switch
2. Carry handle
3. Water filler screw
4. Water drain screw

## 3. Proper use

### Areas of use:

- For irrigating and watering parks, vegetable patches and gardens
- For operating lawn sprinklers
- With a prefilter, for drawing water from ponds, streams, rain-butts, rain-water cisterns and wells.

**Media which can be pumped:**

For the pumping of clear water (fresh water), rain water or mild suds/dirty water.

Please note that our equipment has not been designed for use in commercial, trade or industrial applications. Our warranty will be voided if the machine is used in commercial, trade or industrial businesses or for equivalent purposes.

The maximum temperature of the medium to be pumped in continuous operation should not exceed +35°C.

This pump is not to be used to pump combustible, gaseous or explosive fluids.

The pumping of aggressive fluids (acids, alkalis, silo seepage etc.) and abrasive substances (sand) should also be avoided.

**4. Operating instructions**

Basically, we recommend the use of a prefilter and an intake set with an intake hose, an intake strainer and check valve in order to prevent long repriming times and any unnecessary damage to the pump caused by stones and hard foreign bodies.

**5. Fitting the carry handle**

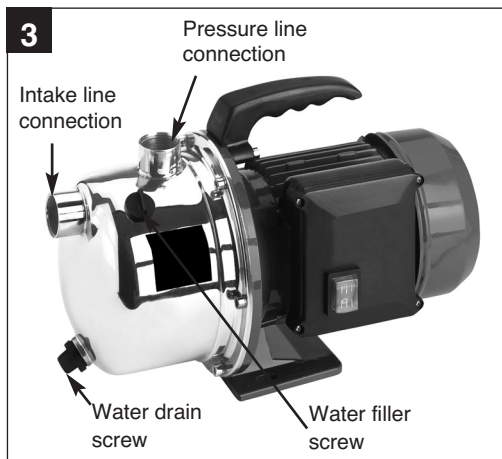
Fasten the carry handle with the 2 supplied screws (see Fig. 2).

**6. Electrical connections**

- Connect the power cable to a 240 V ~ 50 Hz earthed, 10 amp fuse minimum.
- The appliance is switched on and off using the integrated ON/OFF switch.
- The motor is protected against overloading or blocking by an integrated thermostat. In the event of overheating, the thermostat switches off the pump automatically. The pump will start up again automatically after it has cooled down.

**7. Fitting a suction pipe**

- Screw an intake hose (min. 3/4" plastic hose with spiral reinforcement) either directly or with a threaded nipple to the pump's intake connection (1" IG) (see Fig. 1).
- The intake hose used should have an intake valve. If the intake valve cannot be used, a check valve should be installed in the intake line.
- The intake hose should rise from the water pick-up point to the pump. Always avoid laying the intake line higher than the pump. Air bubbles in the intake line delay and hinder suction.
- The intake and pressure lines must be attached in such a way that they do not place the pump under any mechanical strain.
- The intake valve should be so far immersed in the water that the pump cannot run dry even if the water level falls.
- If the intake line is not air-tight, the intake of air will hinder the intake of water.
- Avoid drawing in foreign bodies (sand etc.). If necessary, install a prefilter for this purpose.



## 8. Pressure line connection

- The pressure line (should be at least 3/4") must be connected to the pump's pressure line connection (1" IG) either directly or via a threaded nipple.
- A 1/2" pressure hose can also be used with the appropriate screw connections, of course, but this will reduce the delivery rate.
- All shut-off devices (spray nozzles, valves etc.) in the pressure line must be fully opened when priming so that any air in the intake line can escape.

## 9. Starting up

- Set up the pump on flat and firm ground.
- Attach the intake line ready for use.
- Plug into the mains.
- Fill the pump with water at the pressure connection.
- All shut-off devices in the pressure line (spray nozzles, valves etc.) must be fully opened when priming so that any air in the intake line can escape.
- Depending on the suction height and the amount of air in the intake line, priming can take anywhere between 30 seconds and 5 minutes. If it takes longer than this, the pump should be refilled with water.
- If the pump is removed again after use, it must always be refilled with water whenever it is connected up and used again.

## 10. Maintenance instructions

- The pump is basically maintenance free. To ensure a long service life, however, we recommend regular checks and care.  
**Warning!**  
**Before every servicing, switch off the pump and remove the plug from the socket.**
- If the pump is not going to be used for a long time or has to be removed for the winter months, rinse it out with water, empty it completely and allow it to dry.
- If there is a risk of frost, the pump must be emptied completely.
- After long stoppages, make sure the rotor turns correctly by briefly switching the pump on and off.
- If the pump becomes blocked, connect the pressure line to the water line and remove the

intake hose. Open the water line. Switch on the pump several times for approx. 2 seconds. Most blockages can be removed in this way.

- To drain the pump housing, undo the water drain screw (Fig. 3) and tilt the pump slightly.

## 11. Replacing the mains cable

**Warning! Disconnect the pump from the mains! If the mains cable is defective, it must be replaced by an electrician.**

## 12. Technical data

|                                 |              |
|---------------------------------|--------------|
| Mains supply:                   | 240V ~ 50 Hz |
| Power rating:                   | 1,000 W      |
| Delivery rate max.              | 4600 L/h     |
| Delivery height max.            | 45 m         |
| Delivery pressure max.          | 4.5 bar      |
| Suction height max.             | 6 m          |
| Delivery and intake connection: | 1" IG        |
| Water temperature max.          | 35°C         |
| Weight                          | 9.3 kg       |

### 13. Troubleshooting

#### Motor fails to start up

| Causes                                      | Solutions                |
|---|--------------------------|
| No mains voltage                            | Check voltage            |
| Pump rotor blocked -thermostat switched off | Dismantle and clean pump |

#### No intake

| Causes                                | Solutions                          |
|---------------------------------------|------------------------------------|
| Intake valve not in water             | Immerse intake valve in water      |
| Pump chamber without water connection | Fill water into intake             |
| Air in intake line                    | Make sure intake line is air-tight |
| Intake valve leaks                    | Clean intake valve                 |
| Strainer (intake valve) blocked       | Clean strainer                     |
| Max. suction height exceeded          | Check suction height               |

#### Inadequate delivery rate

| Causes   | Solutions                      |
|--|--------------------------------|
| Suction height too high                          | Check suction height           |
| Strainer dirty                                   | Clean strainer                 |
| Water level falling rapidly                      | Immerse intake valve deeper    |
| Pump performance diminished by contaminants part | Clean pump and replace wearing |

#### Thermostat switches pump off

| Causes  | Solutions   |
|---|---|
| Motor overloaded - friction caused by foreign substances too high | Dismantle and clean pump. Prevent intake of foreign substances (filter) |

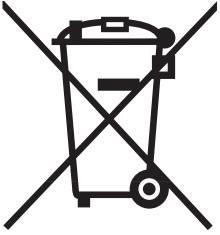
#### Warning!

The pump must never be allowed to run dry!

### 14. Ordering spare parts

Please quote the following data when ordering replacement parts:

- Type of machine
- Article number of the machine
- Identification number of the machine
- Replacement part number of the part required



Never place any electric tools in your household refuse.

Seek advice on correct disposal from local waste authorities.



©

The reprinting or reproduction by any other means, in whole or in part, of documentation and papers accompanying products is permitted only with the express consent of ISC GmbH.

© Technical changes subject to change

After Sales Support TEL: 1300 130 579 WEB: [www.rossmac.com](http://www.rossmac.com)

EH 06/2008 (01)