

**EN** Operating instructions  
Cordless String Trimmer and Brush  
Cutter

**FR** Mode d'emploi  
Coupe-herbes et faux sans fil

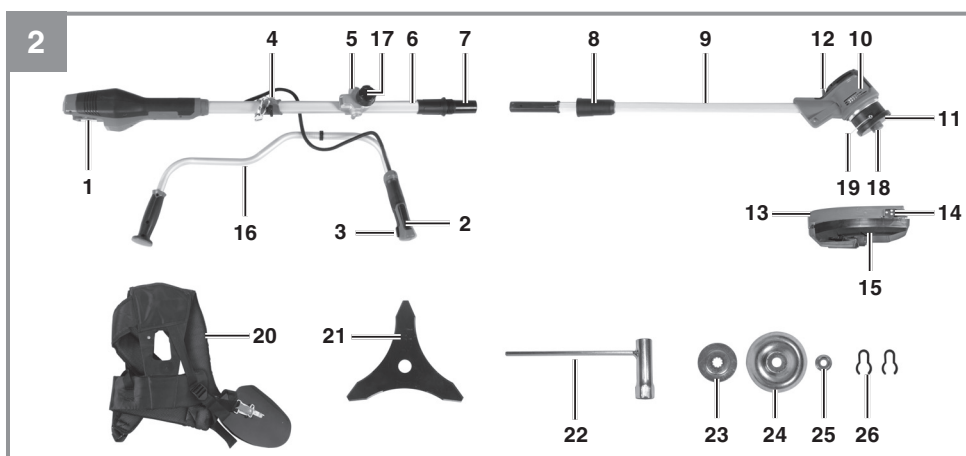
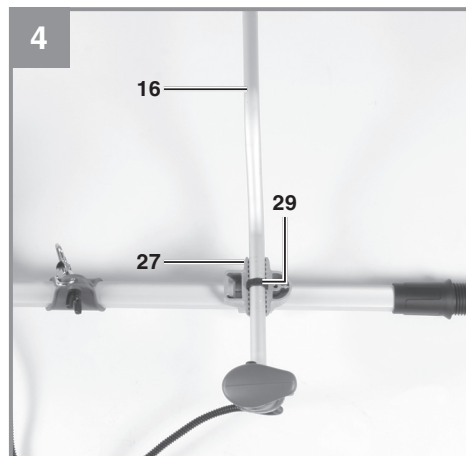
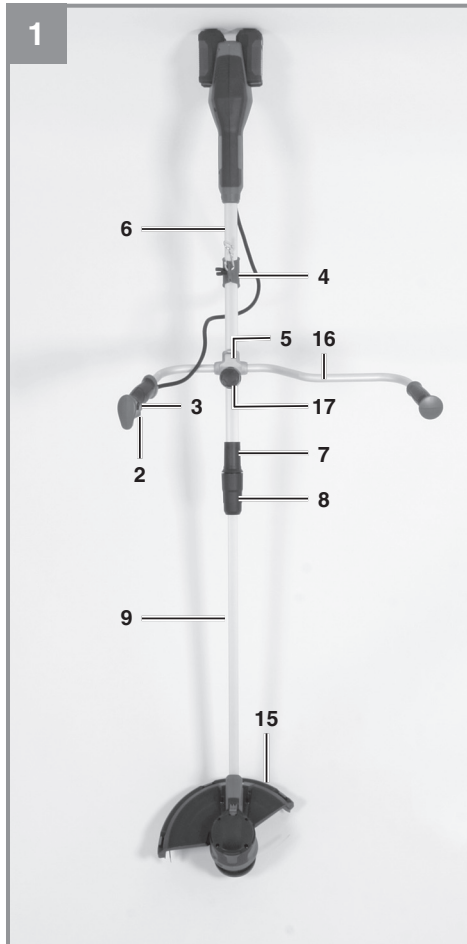
**SP** Manual de instrucciones  
Bordeadora de hilo y  
desbrozadora inalámbrica

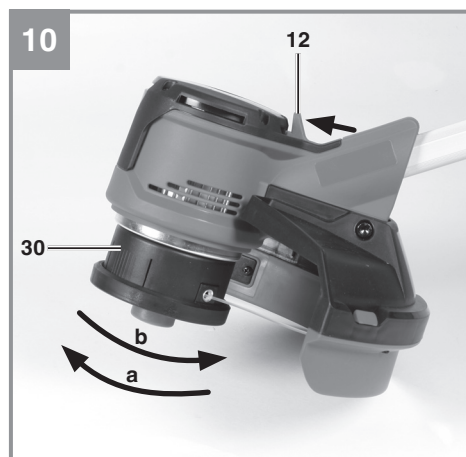
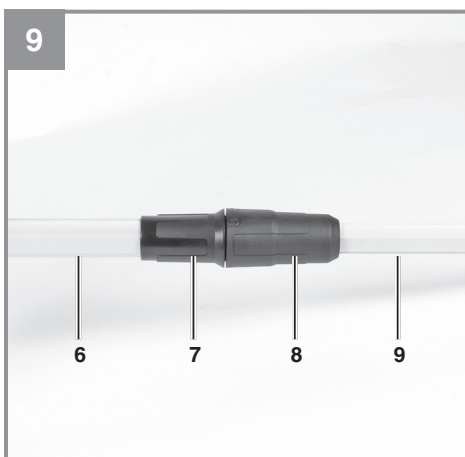
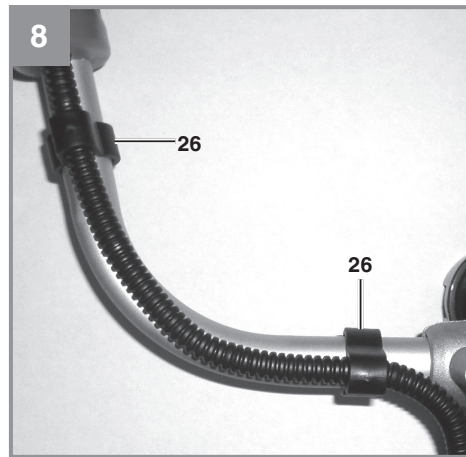
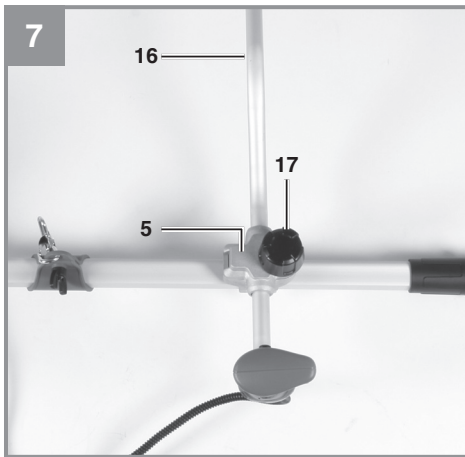
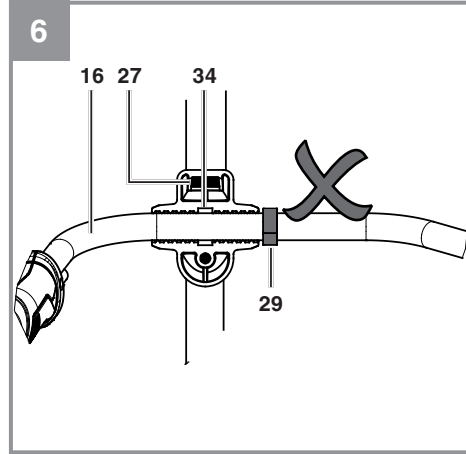
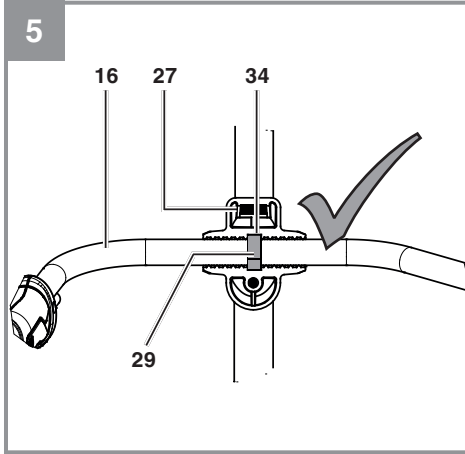


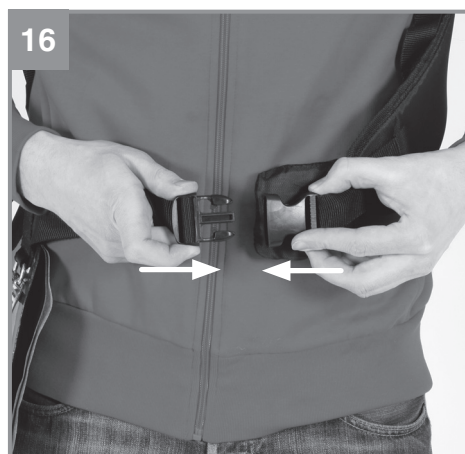
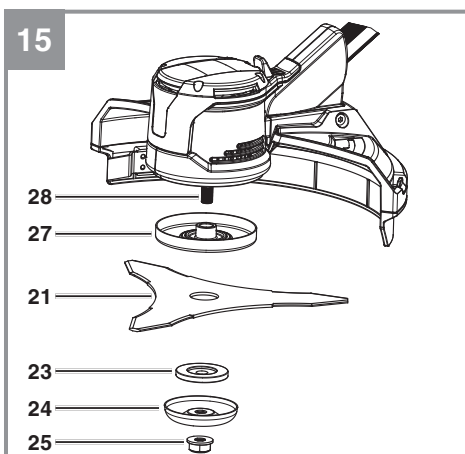
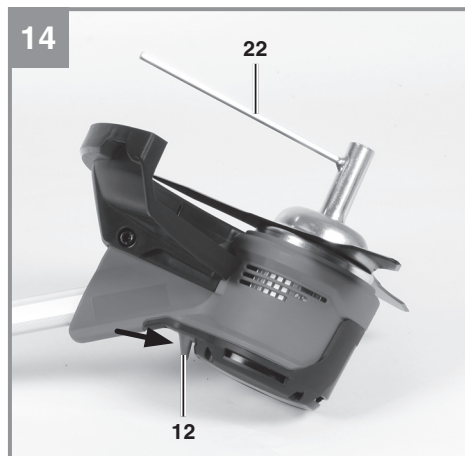
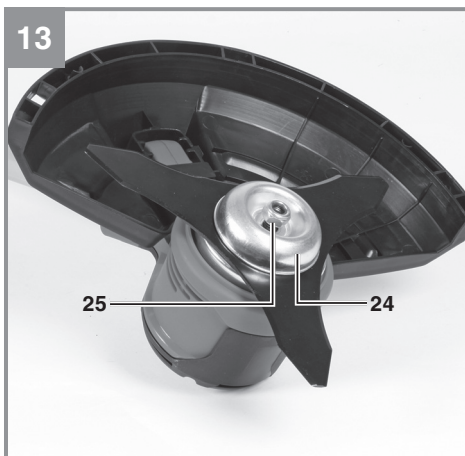
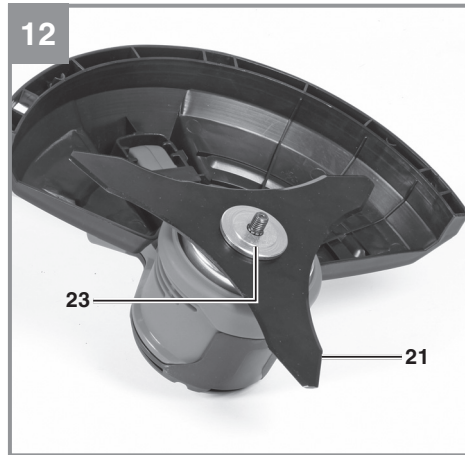
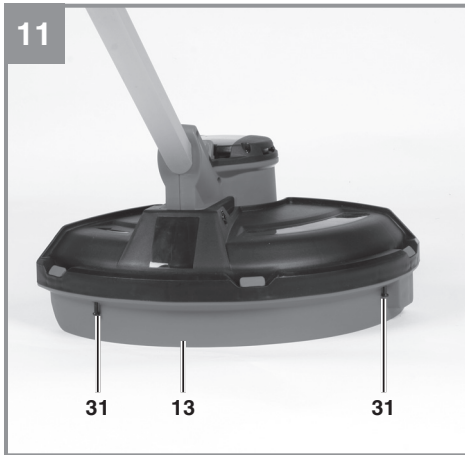
**7** 

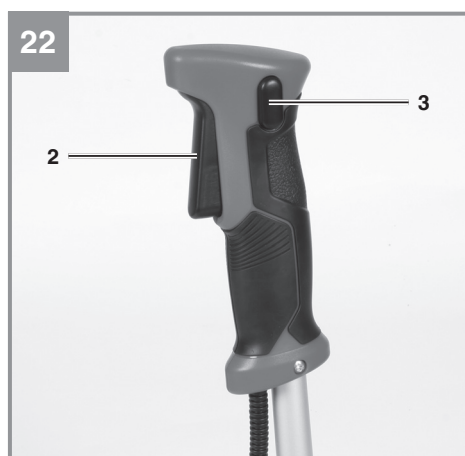
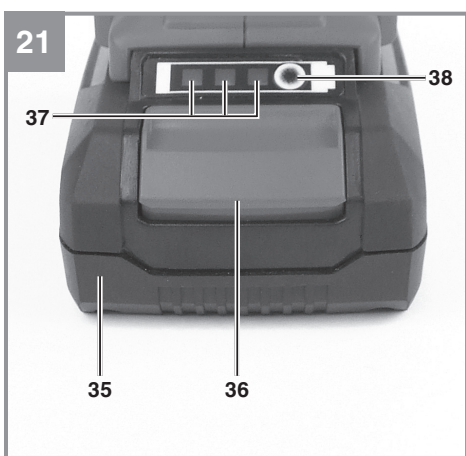
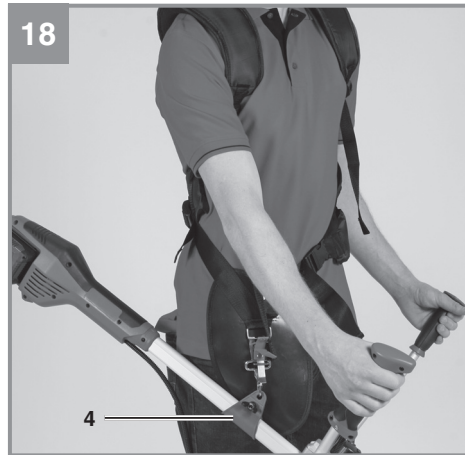
**Art.-Nr.: 3411324**

**I.-Nr.: 21033**

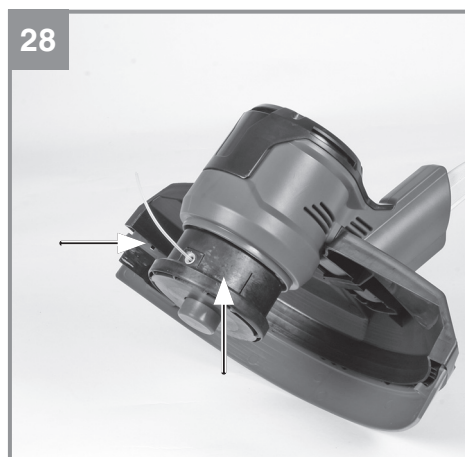
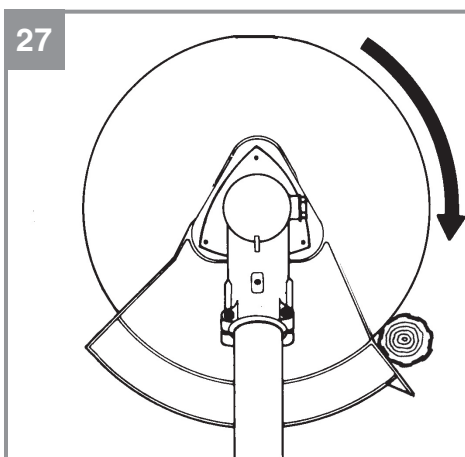
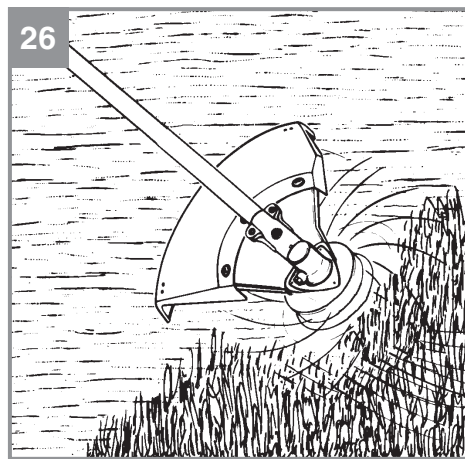
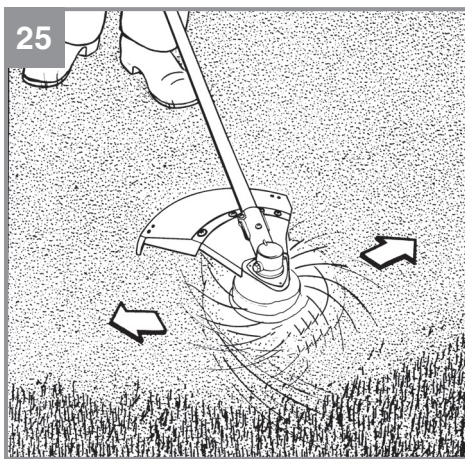
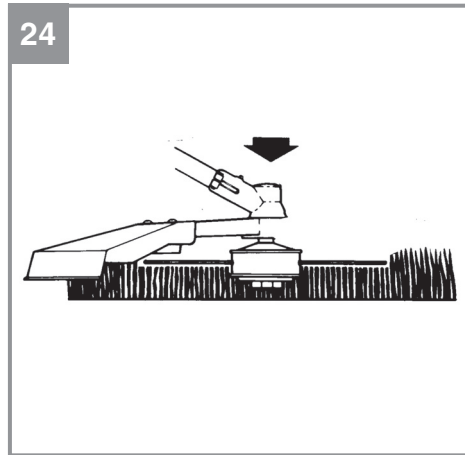
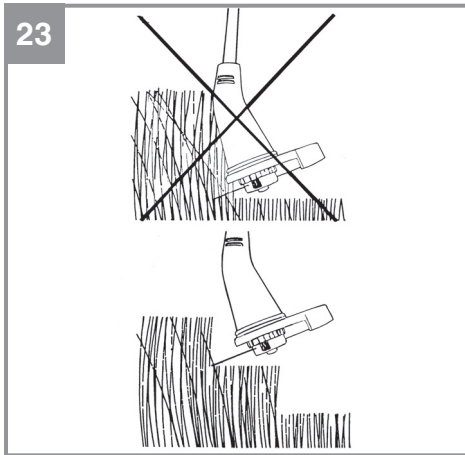


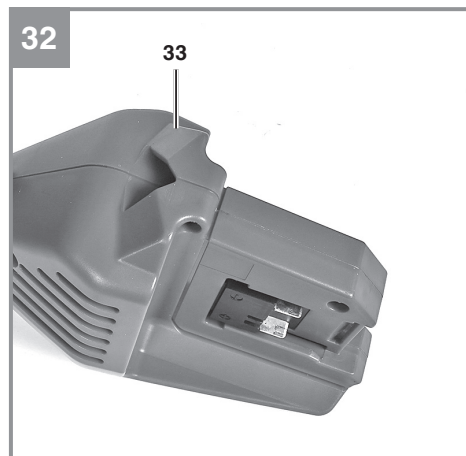
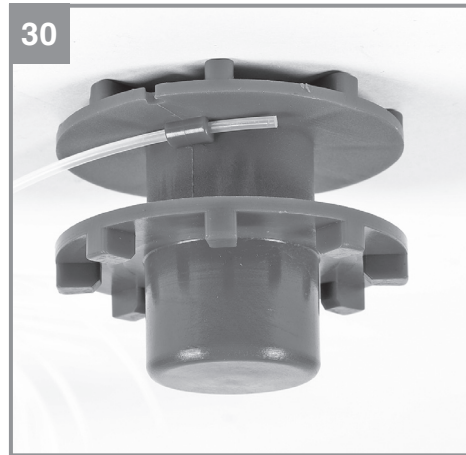
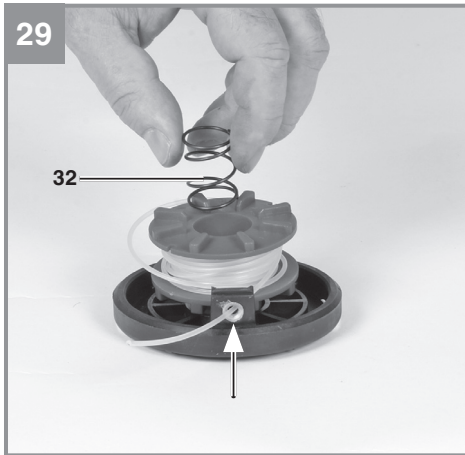














Warning!



**Danger!** - Read the operating instructions to reduce the risk of injury.



Wear protective headgear, goggles and ear muffs.



Wear sturdy, non-slip footwear.



Wear safety gloves.

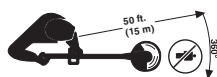


Protect the equipment from rain and damp.



Be careful of objects being thrown out!





All bystanders must be kept at least 50 ft. (15 m) from the machine.



The equipment continues to rotate!



Beware of blade thrust!



Do not use any saw blades.



Store the batteries only in dry rooms with an ambient temperature of 50°F to 104°F (+10°C to +40°C).  
Place only fully charged batteries in storage (charged at least 40%).

**DANGER!**

When using the equipment, a number of safety precautions must be observed to avoid injuries and damage. Please read the complete operating instructions and safety information with due care. Keep these operating instructions in a safe place so that the information is available at all times. If you give the equipment to any other person, hand over these operating instructions and the safety information as well. We cannot accept any liability for damage or accidents which arise due to failure to follow these instructions and the safety information.

## 1. Safety information

### Read All Instructions

**WARNING:** When using electric gardening appliances, basic safety precautions should always be followed to reduce the risk of fire, electric shock, and personal injury, including the following:

### FOR ALL APPLIANCES

- Avoid dangerous environments - do not use appliances in damp or wet locations.
- Don't use in rain.
- Keep children away - all people and pets should be kept at a distance from the work area.
- Dress properly - do not wear loose clothing or jewelry. They can be caught in moving parts. Wear protective clothing; use of work gloves, long pants, a long sleeved shirt and safety footwear is recommended when working outdoors. Wear protective hair covering to contain long hair.
- Use safety glasses - always use face or dust mask if the area in which you are working is dusty. The purpose of the safety rules is to attract your attention to possible dangers. The safety symbols and the explanations with them, require your careful attention and understanding. The safety warnings do not by themselves eliminate any danger. The instruction or warnings they give are not substitutes for proper accident prevention measures.
- Use right appliance - do not use appliance for any job except that for which it is intended.
- Do not force appliance - it will do the job better and with less likelihood of a risk of injury at the rate for which it was designed.
- Do not overreach - keep proper footing and balance at all times.
- Stay alert. Use common sense. Do not operate appliance when you are tired or under the influence of drugs, alcohol or medication.
- When not in use, appliances should be stored indoors in dry places out of reach of children.
- Maintain appliance with care. Follow instructions for lubricating and changing accessories. Keep handles dry, clean, and free from oil and grease.
- Check damaged parts. Before using the appliance, make sure the safety guards are intact. Never use a tool without its safety guard. Check the alignment of the moving parts, the binding of the moving parts.
- Check for broken or defective parts that can affect the safe operation of your tool. A guard or other part that is damaged should be properly repaired or replaced by an authorized service centre unless indicated elsewhere in this manual.
- Keep guards in place and in working order.
- Keep blades sharp.
- Keep hands and feet away from cutting area.
- Recharge only with the charger specified by the manufacturer. A charger that is suitable for one type of battery pack may create a risk of fire when used with another battery pack.
- Use appliances only with specifically designated battery packs. Use of any other battery packs may create a risk of injury and fire.
- When battery pack is not in use, keep it away from other metal objects, like paper clips, coins, keys, nails, screws or other small metal objects, that can make a connection from one terminal to another. Shorting the battery terminals together may cause burns or a fire.
- Under abusive conditions, liquid may be ejected from the battery; avoid contact. If contact accidentally occurs, flush with water. If liquid contacts eyes, additionally seek medical help. Liquid ejected from the battery may cause irritation or burns. (This advice is considered correct for conventional NiMh, NiCd, lead acid and Lithium-ion cell types. If this advice is incorrect for a cell design that differs from these, then the correct advice may be substituted.)
- Do not use a battery pack or appliance that is damaged or modified. Damaged or modified batteries may exhibit unpredictable behavior resulting in fire, explosion or risk of injury.

- Do not expose a battery pack or appliance to fire or excessive temperature. Exposure to fire or temperature above 266°F (130°C) may cause explosion.
- Follow all charging instructions and do not charge the battery pack or appliance outside of the temperature range specified in the instructions. Charging improperly or at temperatures outside of the specified range may damage the battery and increase the risk of fire.
- Have servicing performed by a qualified repair person using only identical replacement parts. This will ensure that the safety of the product is maintained.
- Do not modify or attempt to repair the appliance or the battery pack (as applicable) except as indicated in the instructions for use and care.

#### 1.) FOR ALL BATTERY-OPERATED APPLIANCES:

- Do not charge appliance in rain, or in wet locations.
- Do not use battery-operated appliances in the rain. Always remove or disconnect battery pack before adjusting, cleaning, servicing or transporting the garden appliances.

#### 2.) FOR ALL BATTERY-OPERATED PRODUCTS EMPLOYING A DETACHABLE OR SEPARABLE BATTERY:

- Use only the following type and size battery:
  - 18V 1.5Ah PXC Lithium-ion battery
  - 18V 2.0Ah PXC Lithium-ion battery
  - 18V 2.5Ah PXC Lithium-ion battery
  - 18V 3.0Ah PXC Lithium-ion battery
  - 18V 4.0Ah PXC Lithium-ion battery
  - 18V 3.0Ah PXC Plus Lithium-ion battery
  - 18V 4.0Ah PXC Plus Lithium-ion battery
  - 18V 5.2Ah PXC Plus Lithium-ion battery
  - 18V 4.0Ah/6.0Ah PXC Plus Lithium-ion battery
  - 18V 5.0Ah/8.0Ah PXC Plus Lithium-ion battery
- Do not dispose of the battery in a fire. The cell may explode. Check with local codes for possible special disposal instructions.
- Do not open or mutilate the battery. Released electrolyte is corrosive and may cause damage to the eyes or skin. It may be toxic if swallowed.
- Exercise care in handling the battery in order not to short it with conducting materials such

as rings, bracelets, and keys. The battery or conductor may overheat and cause burns.

#### 3.) AVOID UNINTENTIONAL STARTING – DO NOT INSERT BATTERY WHILE YOUR FINGER IS ON THE SWITCH. BE SURE SWITCH IS OFF WHEN INSERTING THE BATTERY.

#### GENERAL SAFETY WARNINGS FOR THE BATTERY PACK

- Dispose of used battery promptly and properly. When disposing of secondary cells or batteries, keep cells or batteries of different electrochemical systems separate from each other.
- Keep battery out of reach of children and in original package until ready to use.
- Never put batteries in one's mouth. If swallowed, contact local poison control centre immediately.
- CAUTION – The battery used in this device may present a risk of fire or chemical burn if mishandled. Replace battery with Einhell/lawn master brand only. Use of another battery may present a risk of fire or explosion.
- WARNING: Do not use a visibly damaged battery pack or appliance.
- WARNING: Do not modify or attempt to repair the appliance or the battery pack.
- BATTERIES MUST BE RECYCLED.
- Do not short-circuit a cell or battery. Do not store cells or batteries haphazardly in a box or drawer where they may short-circuit each other or be short-circuited by conductive materials.
- Do not subject cells or batteries to mechanical shocks.
- Keep cells and batteries clean and dry. Wipe the cell or battery terminals with a clean dry cloth if they become dirty.
- Do not maintain secondary cells and batteries on charge when not in use.
- Retain the original cell and battery. Do not use any charger other than that specifically provided for use with the equipment. Secondary cells and batteries need to be charged before use. Always use the correct charger and refer to the manufacturer's instructions or equipment manual for proper charging instructions.
- When possible, remove the battery from the equipment when not in use.
- Prevent unintentional starting. Ensure the switch is in the off-position before connecting

- to the battery pack, picking up or carrying the appliance. Carrying the appliance with your finger on the switch or energizing appliances that have the switch on invites accidents.
- Disconnect the battery pack from the appliance before making any adjustments, changing accessories, or storing appliance. Such preventive safety measures reduce the risk of starting the appliance accidentally.
  - Under abusive conditions, liquid may be ejected from the battery; avoid contact. If contact accidentally occurs, flush with water. If liquid contacts eyes, additionally seek medical help. Liquid ejected from the battery may cause irritation or burns.
  - Have servicing performed by a qualified repair person using only identical replacement parts. This will ensure that the safety of the product is maintained.
  - **Protect your rechargeable battery against moisture, rain and high humidity.** Moisture, rain and high humidity can cause dangerous cell damage. Never charge or work with batteries which have been exposed to moisture, rain or high humidity – replace them immediately.
  - If your equipment is fitted with a detachable battery, remove the battery for safety reasons after you have finished your work.
- IMPORTANT SAFETY INSTRUCTIONS FOR CHARGER**
- WARNING:** This product may contain lead, phthalate or other chemicals known to the State of California to cause cancer, birth defects and other reproductive harm. Please wash your hands after use.
- Additional safety instructions**
- Before you begin your work, examine the material you want to cut. Remove any foreign bodies. Continue to watch out for foreign bodies while you are working. If you come across any foreign bodies while cutting, turn off the machine and remove the items in question.
  - Work only when visibility is adequate.
  - Always hold the equipment firmly in both hands. Your fingers and thumbs should be wrapped around the handles.
  - Make sure that the handles are clean and dry.
  - When carrying out mowing work on a slope always stand at a lower level than the cutting tool. Never cut or trim on a smooth, slippery hill or slope.
  - Make sure you stand squarely at all times while working. Be careful when walking backwards. Tripping hazard!
  - Never leave the equipment unsupervised in the work area. If you stop work for a while, leave the equipment in a safe place.
  - If you stop your work in order to go to another area to work, you must make sure that the equipment is switched off while you are going there.
  - Never use the equipment while it is raining or in damp or wet surroundings.
  - Protect your equipment against moisture and rain.
  - Before you switch on the equipment, check that the cutting unit will not touch any stones or other objects.
  - Always wear suitable working clothes to prevent injuries to the head, hands and feet. Always wear heavy, long pants, boots, gloves, and a long-sleeve shirt. Do not wear loose clothing, jewelry, short pants, sandals, or go barefoot. Secure hair so it is above shoulder level.
  - When the equipment is in operation, you must always hold it away from your body!
  - Do not switch on the equipment when it is turned around or when it is not in working position.
  - Switch off the machine and remove the battery: when the equipment is not being used, when you leave it unsupervised, when checking the equipment, when removing or replacing the spool, or when transporting the equipment from one place to another.
  - Keep the equipment away from other people, especially children, and from pets. There may be stones and other objects in the grass that is cut and thrown up.
  - When you are working, keep a distance of at least 50 feet (15 meters) from other persons and pets.
  - Do not cut against hard objects. This will help you to prevent causing injury to yourself and damage to the equipment.
  - Use the edge of the safety guard to keep the equipment away from walls, different surfaces and fragile objects.
  - Never use the equipment without the safety guard.
  - This equipment is not allowed to be used by children or by persons with reduced physical, sensory or mental capacities or those with a lack of experience and knowledge. Children should be supervised so that they do not play

with the equipment. Children are not allowed to carry out cleaning or maintenance.

- Avoid abnormal working postures. Make sure you stand squarely and keep your balance at all times. Always maintain good footing on inclines. Only operate the equipment at a walking pace.
- Risk of injury from dangerous moving parts!
- The moving parts are not allowed to be touched before the battery has been removed and all moving parts have come to a complete standstill.
- Read the directions with due care. Familiarize yourself with the operator controls and proper operation of the equipment.
- Never allow children or other persons who are not familiar with the operating instructions to use the equipment. Contact your local governmental agency for information regarding minimum age requirements for the user.
- Always keep in mind that the user of the equipment is personally responsible for accidents or hazards involving other persons or their property.
- Before use, always carry out a visual check to make sure that the safety devices or covers are not missing or damaged and that they are correctly fitted.
- Never use the equipment in bad weather conditions and particularly never when there is a risk of lightning.
- Never use the equipment with a damaged cover or safety device or when a cover or safety device is missing.
- Switch on the motor only when there are no hands or feet within range of the cutting unit.
- Always switch off the equipment and remove the battery - when you leave the equipment unsupervised.
  - before you remove a blockage.
  - before you examine, clean or work on the equipment.
  - after the equipment strikes a foreign body.
  - when the equipment begins to make unusual vibrations (examine immediately).
 The equipment is not allowed to be put into operation again until the cause of the unusual vibrations is eliminated. If you fail to find the cause of the vibrations, contact a service center.
- Risk of injury from the cutting unit! Keep hands and feet away from the cutting unit!
- Use only spare parts and accessories which are recommended by the manufacturer.
- Examine and service the equipment regularly. **Important! The safety guard is there to ensure your safety and the safety of others. It is also essential for the equipment to work correctly. Failure to comply with this instruction will invalidate your warranty as well as create a potential source of danger.**
- Never use your hands to try to stop the cutting unit.
- Always wait for it to stop by itself.
- Use only genuine cutting units.
- Make sure that the air vents are free of dirt.
- Do not try to use the equipment to cut grass which is not growing on the ground; for example, do not try to cut grass growing on walls or stones, etc. The person operating the grass trimmer is liable for any damages sustained by third parties within the equipment's working radius as a result of its use.
- Do not cross roads or gravel paths with the equipment switched on.
- When you are not using the equipment, keep it in a dry place out of the reach of children.
- Use the equipment only in the way described in these operating instructions and always hold it perpendicular to the ground. Every other position is dangerous.
- Check at regular intervals that the screws are properly tightened.
- The area to be cut must always be kept cleared of cables and other objects.
- If the equipment has to be lifted for transporting, be sure to switch off the motor first and wait for the cutter to come to a standstill. Each time you leave the equipment, switch off the motor.
- Under no circumstances are you to cut against hard objects during use. This is imperative to prevent injury to yourself and damage to the equipment.
- Use only original replacement parts when repairing.
- Before starting up the equipment, and after any collision, check the equipment for signs of wear or damage and have any necessary repairs carried out.
- Always keep your hands and feet away from the cutting unit, especially when switching the motor on.
- Remove the rechargeable battery before checking, cleaning or doing any work on the machine and when it is not being used.
- Acquaint yourself with the controls and how to

- use the equipment.
- Stop using the equipment when there are people – particularly children – or pets nearby.
- Never use the machine if protective equipment is damaged or missing.
- Never mount metal cutting elements. Never replace the non-metal cutting unit with a metal cutting unit.

If it is used for a lengthy period, the vibrations it causes in the hands of the user may result in circulation problems (hand-arm vibration syndrome).

White finger syndrome is a vascular disease that involves seizure-like spasms of the fingers and toes. The affected areas are no longer sufficiently supplied with blood and therefore appear extremely pale.

The frequent use of vibrating equipment may trigger nerve damage in people with an impaired circulation (for example smokers, diabetics). Should you observe any unusual impairments, interrupt your work immediately and consult a doctor.

Follow these instructions in order to reduce the dangers:

- Keep your body and in particular your hands warm when working in the cold.
- Take regular breaks and move your hands to stimulate the blood circulation during the breaks.
- Ensure that the equipment makes the least possible vibration through regular maintenance and solid parts on the equipment.

#### Safety precautions for handling the blade

- Take note of all warnings and instructions relating to operating and fitting the blade.
- The blade can recoil suddenly from objects if it cannot cut or mow through them. This can cause injuries to the arms or legs. Keep bystanders and animals at least 50 feet (15 meters) away from where you are working. If the equipment strikes a foreign body, stop the engine immediately and wait for the blade to come to a standstill. Check the blade for signs of damage. Always replace the blade if it is bent or cracked.
- The blade is liable to catapult away objects with high force. This can cause blindness or injuries. Wear protection that complies with ANSI Z87.1, face and legs. Always remove objects from your working area before you

use the blade.

- Carefully check your machine and its fittings for signs of damage every time before use. Do not use the equipment unless all the blade fittings are installed correctly.
- When you release the throttle lever, the blade will continue to rotate and will only gradually come to a standstill. A blade which is in the process of rotating to a standstill can cause you or bystanders injuries through cutting. Before you start any work on the blade, switch off the engine and ensure that the blade has come to a standstill.
- The danger zone has a radius of 50 ft. (15 m). Bystanders may suffer blindness or injuries. Keep a distance of 50 ft. (15 m) between yourself and other people or animals.

**Important: The cutting unit continues to run for a few seconds after the motor is switched off.**

#### The cutter continues to rotate!



#### SAVE THESE INSTRUCTIONS

### 2. Layout and items supplied

#### 2.1 Layout

1. Battery mount
2. On/Off switch
3. Safety lock-off
4. Strap attachment
5. Additional handle attachment
6. Top part of long handle
7. Handle connecting piece
8. Union nut
9. Bottom part of long handle
10. Motor housing
11. Spool housing
12. Locking lever
13. Line safety guard
14. Thread cutter
15. Guard hood
16. Additional handle
17. Handle screw



18. Line spool
19. Line
20. Harness
21. Cutting blade
22. Multi-tool
23. Pressure plate
24. Pressure plate cover
25. Hex nut M10, self-locking
26. Cable clips
27. Mounting
28. Motor shaft
29. Plastic ring
30. Cutting line unit
31. Retaining screw
32. Pressure spring
33. Wall holder
34. Groove
35. Battery pack (not supplied)
36. Pushlock button
37. Battery capacity indicator
38. Battery capacity indicator button

## 2.2 Items supplied

Please check that the article is complete as specified in the scope of delivery. If parts are missing, please contact our service center or the store where you made your purchase at the latest within 5 work days after purchasing the article and upon presentation of a valid bill of purchase.

- Open the packaging and take out the equipment with care.
- Remove the packaging material and any packaging and/or transportation braces (if present).
- Check to see if all the items are supplied.
- Inspect the equipment and accessories for transport damage.
- If possible, keep the packaging until the end of the guarantee period.

## Danger!

**The equipment and packaging material are not toys. Do not let children play with plastic bags, plastic sheets and small parts. There is a risk of choking and suffocating!**

- Top section of the trimmer with handle
- Bottom section of the trimmer with line spool
- Guard hood
- Steady grip
- Harness
- Cutting blade
- Multi-tool
- Pressure plate
- Pressure plate cover

- Hex nut M10
- 2x Cable clips
- Original operating instruction with safety information

## Separately available accessories

- 18V 1.5Ah PXC Lithium-Ion battery
- 18V 2.0Ah PXC Lithium-Ion battery
- 18V 2.5Ah PXC Lithium-Ion battery
- 18V 3.0Ah PXC Lithium-Ion battery
- 18V 4.0Ah PXC Lithium-Ion battery
- 18V 3.0Ah PXC Plus Lithium-Ion battery
- 18V 4.0Ah PXC Plus Lithium-Ion battery
- 18V 5.2Ah PXC Plus Lithium-Ion battery
- 18V 4.0Ah/6.0Ah PXC Plus Lithium-Ion battery
- 18V 5.0Ah/8.0Ah PXC Plus Lithium-Ion battery
- 18V PXC Dual Port Fast Charger
- 18V PXC Fast Charger

Contact your local retailer for more specific models of batteries and charger available in your area. You can also explore battery + charger options at [Einhell.com](http://Einhell.com).

## 3. Intended use

Used as a cordless string trimmer and brush cutter (using the cutting blade) the equipment is designed for cutting young trees, strong weeds and light undergrowth.

Used as a cordless grass trimmer (using the line spool with cutting line) the equipment is designed for cutting lawns, grassed areas and small weeds. It is not designed to be used for public facilities, parks, sports centers, along roadways, or in agriculture and forestry.

The operating instructions as supplied by the manufacturer must be obeyed to ensure that the equipment is used properly.

**Important!** Due to the high risk of bodily injury to the user, the equipment is not allowed to be used to clean paths or to chop up tree and hedge clippings. Similarly, the equipment must not be used to level out high areas such as molehills. For safety reasons, the equipment must not be used as a drive unit for other work tools or toolkits of any kind.

The equipment is allowed to be used only for its prescribed purpose. Any other use is deemed to be a case of misuse. The user/operator and not the manufacturer will be liable for any damage or

injuries of any kind resulting from such misuse.

#### Caution!

#### Residual risks


**Even if you use this electric power tool in accordance with the instructions, certain residual risks cannot be eliminated. The following hazards may arise in connection with the equipment's construction and layout:**

- Lung damage if no suitable protective dust mask is used.
- Damage to hearing if no suitable ear protection is applied.
- Health damage caused by hand-arm vibrations if the equipment is used over a longer period or is not properly guided and maintained.
- Injury and damage to property caused by flying parts.
- Cut injuries if no suitable safety clothing is used.

#### Danger!

This electric power tool generates an electromagnetic field during operation. Under certain circumstances this field may actively or passively impede medical implants. To reduce the risk of serious or fatal injuries, we recommend persons with medical implants to consult their doctor and the manufacturer of the medical implant prior to using the equipment.

## 4. Technical data

Motor power supply: ..... 36V  (2x 18V)  
 No load speed RPM:..... 0-6400  
 Cutting width with blade: ..... 10"  
 Cutting width with line: ..... 12"  
 Length of line spool: .....26 ft.  
 Line diameter: ..... 0.08"  
 Weight (Tool only): ..... 13.4 lbs

#### Reduce noise generation and vibration to a minimum!

- Use only equipment that is in perfect condition.
- Maintain and clean the equipment regularly.
- Adapt your way of working to the equipment.
- Do not overload the equipment.
- Have the equipment checked if necessary.
- Switch off the equipment when not in use.
- Wear gloves.

## 5. Before starting the equipment

**Caution!** Carry out all the following assembly and adjustment work without rechargeable batteries – risk of injury. Wear protective gloves.

Inspect unit before each use. Replace damaged parts. Check for fuel leaks. Make sure all fasteners are in place and secure. Replace cutting attachment parts that are cracked, chipped, or damaged in any way. Make sure the cutting attachment is properly installed and securely fastened. Be sure the cutting attachment shield is properly attached and in the position recommended by the manufacturer. Use only flexible, nonmetallic line recommended by the manufacturer. Never use, for example, wire or wire-rope, which can break off and become a dangerous projectile.

### 5.1 Fitting the guard hood (Fig. 3)

Remove the socket head screw from the guard hood. Push the guard hood (15) onto the mount on the motor housing as far as it will go and screw it securely in place with the previously removed socket head screw (Fig. 3). A blade (Fig. 2/ Item 14) on the underside of the guard hood automatically cuts the cutting line to the optimum length. This is provided with a safety guard. Remove the safety guard before starting work.

### 5.2 Fitting the additional handle (Fig. 4-8)

Undo the handle screw (Fig. 2/Item 17) and remove the thrust piece (Fig. 2/Item 5). Fit the additional handle (16) into the holder (27) such that the plastic ring (29) lies in the groove (34) on the holder (27) (see detailed drawing 5).

**Caution!** The additional handle is wrongly fitted if the plastic ring (29) lies outside the groove (34) as shown in the detailed drawing 6. This mistake can result in damage to the additional handle during use.

Fasten the additional handle (16) to the thrust piece (5) by re-tightening the handle screw (17). Use the two supplied cable clips (26) to fasten the protective tubing for the cable.

### 5.3 Fitting the long handle (Fig. 9)

Slot the top part of the long handle (6) into the bottom part of the long handle (9). Screw the handle connecting piece (7) to the bottom part of the long handle with the union nut (8) on the top part of the long handle.

#### 5.4. Adjusting the angle of the additional handle (Fig. 7)

To adjust the additional handle to the optimum working angle, slacken the handle screw (17). Set the desired tilt of the additional handle (16). Tighten the handle screw (17) again.

#### 5.5 Removing/fitting the cutting line unit (Fig. 10)

**Note:** The equipment is supplied from the factory ready for operation with the cutting line.

**Warning!** Take care not to cut yourself on the cutting line cutter.

##### a) Removing the cutting line unit

Press the locking lever (12) forward and turn the cutting line unit (30) clockwise at the same time until the locking lever latches in place. Turn the cutting line unit clockwise and take it off the motor shaft.

##### b) Fitting the cutting line unit

Press the locking lever (12) forward and turn the cutting line unit (30) counterclockwise onto the motor shaft at the same time until the locking lever latches in place. Turn the line cutting unit on the motor shaft until it is tightly secured. Check whether the cutting line unit can rotate freely after you let go of the locking lever. If this is not the case, have the mechanism checked by an expert.

#### 5.6 Guard hood for use with the cutting blade (Fig. 11)

**Caution!** The cutting line cover (13) must be removed if you want to work with the cutting blade. Take care not to cut yourself on the cutting line cutter.

Slacken the two retaining screws (31) on the cutting line cover.

Start at the side and carefully press in the lugs and pull the cutting line cover (13) up and off.

#### 5.7 Guard hood for use with the cutting line (Fig. 11)

**Caution!** The cutting line cover (13) must be fitted if you want to work with the cutting line. Take care not to cut yourself on the cutting line cutter. Start at the side and press the lugs of the cutting line cover back in and secure them with the two screws (31).

#### 5.8 Fitting/removing the cutting blade

The procedure for fitting the cutting blade is shown in Figs. 12 - 14. Note the detailed drawing 15. **Warning!** Take care not to cut yourself on the cutting blade.

#### a) Fitting the cutting blade

**Important!** If the spacer between the cutting blade and the motor housing (detailed drawing 15 / Item 27) slips off the motor shaft (28) during dismantling, push it back onto the motor shaft as shown in the drawing.

1. Fit the cutting blade (21) in place.
2. The pressure plate (23) must be fitted with the higher edge facing the cutting blade (detailed drawing 15).
3. Fit the pressure plate cover (24).
4. Screw the size M10 hex nut (25) in place. **Warning!** For safety reasons, self-locking nuts are allowed to be used only once without exception.
5. Press the locking lever (12) and lock the motor shaft. Tighten the hex nut using the multifunction tool (22).
6. Check whether the blade (21) can rotate freely after you let go of the locking lever. If this is not the case, have the mechanism checked by an expert.

#### b) Removing the cutting blade

Press the locking lever forward and lock the motor shaft. Unscrew and the hex nut and remove the pressure plate cover, pressure plate and cutting blade.

#### Each time before use, check the following:

- That the equipment is in perfect condition and that the safety devices and cutting devices are complete.
- That all screws are securely fastened.
- That all moving parts move smoothly.

#### 5.9 Using the harness

**Caution!** Always use the harness when working with the equipment (Fig. 2/Item 20). Always switch off the equipment before you release the harness – risk of injury!

- Fit the harness (Fig. 16)
- Hook the equipment to the harness (Fig. 17).
- Adjust to the perfect working and cutting position using the various harness adjusters on the harness. The strap attachment (Fig. 18/Item 4) can be moved on the top part of the long handle if required. To do so, slacken the wing nut on the strap attachment, move the strap attachment and then re-tighten the wing nut.
- To establish the optimum length of the harness, you should then make a few swinging movements without starting the motor (Fig. 19).

The harness is fitted with a quick-release mechanism. Pull the red part of the harness (Fig. 20) if you need to remove the equipment quickly.

#### 5.10 Installing the rechargeable batteries

Push the rechargeable batteries into the battery mounts provided on the left and right on the equipment (Fig. 2/Item 1). The battery will be heard to click into place when it has been pushed fully in (Fig. 1). To take out the battery, press the pushlock button (Fig. 21/Item 36) and remove the battery.

## 6. Operation

Please note that the statutory regulations governing noise abatement may differ from one location to another.

**Danger!** The guard hood must be fitted when carrying out work.

### 6.1 Switching the equipment on and off, adjusting the speed (Fig. 22)

#### Switching on and setting the speed

Press the safety lock-off (3) and press the On/Off switch (2) at the same time. Adjust the speed during operation by pressing the On/Off switch to a greater or lesser extent. The harder you push, the higher the speed.

#### Switching off

Release the On/Off switch.

### 6.2 Practical tips

Practice all the work steps with the motor switched off and without the rechargeable battery before you start to use the equipment. Only use the cutting line to mow grass that is dry. If the grass is long, the grass must be cut shorter in stages (Fig. 23).

#### Extending the cutting line (Fig. 24)

**Danger!** Do not use any kind of metal wire or metal wire encased in plastic in the line spool. This may cause serious injuries to the user. The grass trimmer has a semi-automatic line extension system (automatic jog line feed). Each time you activate the semi-automatic line extension system, the line is automatically extended to ensure that you can cut your lawn with the perfect cutting width at all times. To

extend the cutting line, run the motor and tap the line spool on the ground. This will automatically extend the line. The blade on the guard hood will cut the line to the permissible length. Please note that the more often you activate the semi-automatic line extension system, the more the line will wear.

**Note:** If the line is too long when you use the equipment for the first time, the surplus end of it will be cut by the blade on the guard hood. If the line is too short when you start the equipment for the first time, press the knob on the line spool and pull the line hard. When you then start the machine for the first time the line will be cut to the perfect length automatically.

Using a brush or similar, carefully remove all residual grass from the underside of the guard hood at regular intervals.

#### Different cutting methods

When the equipment is correctly assembled it will cut weeds and long grass in places which are difficult to access, e.g. along fences, walls and foundations and also around trees. It can also be used for "mowing" down vegetation so that a garden can be better prepared or a certain area cleared down to the soil.

**Please note:** Even if it is used carefully, cutting around foundations, stone or concrete walls, etc. will result in the line suffering above normal wear.

#### Trimming/mowing

Swing the trimmer from side to side in a scything motion. Always keep the line spool parallel to the ground. Check the site and decide which cutting height you require. Guide and hold the line spool at the required height to obtain an even cut (Fig. 25).

#### Low trimming

Hold the trimmer right in front of you at a slight angle so that the underside of the line spool is above the ground and the line strikes the correct target. Always cut away from yourself. Never draw the trimmer towards yourself.

#### Cutting along fences/foundations

Approach wire mesh fences, lath fences, natural stone walls and foundations slowly so that you can cut close to them without striking the obstacle with the line. If, for example, the line strikes stones, stone walls or foundations, it will wear or

fray. If the line strikes wire fencing, it will break.

#### Trimming around trees

When trimming around tree trunks, approach slowly so that the line does not strike the bark. Walk around the tree, cutting from left to right. Approach grass or weeds with the tip of the line and tilt the line spool forwards slightly.

**Warning:** Take extreme care during mowing work. When doing such work keep a distance of 100 ft. (30 m) between yourself and other people or animals.

#### Mowing

When mowing down to the ground you will cut all the vegetation. To do this, set the line spool at an angle of 30° to the right. Place the handle in the required position. Remember the increased risk of injury to the user, watchers and animals, and the danger of damaging property due to objects (for example stones) being thrown up (Fig. 26).

**Warning:** Do not use the equipment to remove objects from footpaths, etc. The equipment is a powerful tool and can throw small stones and other objects a distance of 50 ft. (15 m) or more, causing injuries and damage to cars, houses and windows.

#### Sawing

The equipment is not suitable for sawing.

#### Jamming

If the cutting blade jams as a result of attempting to cut vegetation that is too dense, switch off the engine immediately. Remove the grass and scrub from the equipment before you restart it.

#### Preventing recoil

When you work with the blade, there is a risk of recoil if it strikes solid objects such as tree trunks, branches, tree stumps, stones or the like. This will throw the equipment backwards in the direction opposite to the rotation of the tool. This can cause you to lose control of the equipment. Do not use the blade near fences, metal posts, boundary stones or foundations. For cutting dense stalks, position the blade as shown in Fig. 27 to prevent recoil.

#### 6.3 Charging the Lithium-Ion battery (not included)

The corresponding instructions can be found in the original operating instructions for your charger.

#### 6.4 Battery capacity indicator (Fig. 21 / item 37)

Press the battery capacity indicator switch (38). The battery capacity indicator (37) shows the charge status of the battery using 3 LEDs.

##### All 3 LEDs lit:

The battery is fully charged.

##### 2 or 1 LED(s) lit:

The battery has an adequate remaining charge.

##### 1 LED flashing:

The battery is empty, recharge the battery.

##### All LEDs flashing:

The temperature of the battery is too low. Remove the battery from the device and leave it at room temperature for a day. If the error occurs again, this means that the battery has been completely depthdischarged and is defective. Remove the battery from the device. Never use or charge a defective battery.

## 7. Cleaning and maintenance

### HAZARD!

Always take the battery out of the equipment before starting any cleaning work.

#### 7.1 Cleaning

- Keep all safety devices, air vents and the motor housing free of dirt and dust as far as possible. Wipe the equipment with a clean cloth or blow it down with compressed air at low pressure.
- We recommend cleaning the equipment immediately each time after use.
- Clean the equipment regularly with a damp cloth and some soft soap. Do not use cleaning agents or solvents; these may be aggressive to the plastic parts in the equipment. Ensure that no water can get into the interior of the equipment. The ingress of water into an electric power tool increases the risk of an electric shock.
- Use a brush to remove deposits from the safety guard.

#### 7.2 Replacing the line spool

##### Danger! Remove the battery packs!

1. Fig. 28 Press the line spool housing together at the marked points and remove the spool

- cover.
2. Take out the empty line spool and the pressure spring.
  3. Fig. 29 Thread the end of the line on the new line spool through the eyelet in the spool cover and allow approx. 5.1" (13 cm) of line to project. Insert the pressure spring (32) in the line spool.
  4. Press the spool cover back into the line spool housing.

### 7.3 Replacing the cutting line

#### **Danger! Remove the battery packs!**

1. Fig. 28 Press the line spool housing together at the marked points and remove the spool cover.
2. Take out the empty line spool and the pressure spring.
3. Remove any remaining cutting line if there is any.
4. Fig. 30 Insert the new cutting line through the line mount inside the spool.
5. Wind the line with tension in a counter-clockwise direction.
6. Fig. 31 Hook the line, approx. 5.9" (15 cm) before the end of the line, into one of the line holders on the edge of the spool.
7. Fig. 29 Thread the end of the line on the new line spool through the eyelet in the spool cover. Insert the pressure spring (32) in the line spool.
8. Pull the line sharply to release it from the line holder.
9. Press the spool cover back into the line spool housing.

When you start the equipment again the line will be cut to the perfect length automatically.

#### **Caution! Bits of the nylon line could cause injury when flung out.**

### 7.4 Sharpening the guard hood blade

The guard hood blade (Fig. 2/Item 14) can become blunt over time. When you notice this, undo the screw holding the guard hood blade on the guard hood. Clamp the blade in a vise. Sharpen the blade with a flat file and make sure that the angle of the cutting edge is not altered in the process. File in one direction only.

### 7.5 Maintenance

There are no other parts inside the equipment which require maintenance.

Spare line spool Art. No.: 3405097  
Spare cutting blade Art. No.: 3405084

## 8. Disposal and recycling

The equipment is supplied in packaging to prevent it from being damaged in transit. The raw materials in this packaging can be reused or recycled. The equipment and its accessories are made of various types of material, such as metal and plastic. Never place defective equipment in your household refuse. The equipment should be taken to a suitable collection center for proper disposal. If you do not know the whereabouts of such a collection point, you should ask in your local council offices.

## 9. Storage

Store the equipment and its accessories out of children's reach in a dark and dry place at above freezing temperature. The ideal storage temperature is between 50°F and 104°F (10°C and 40°C). Keep the electric tool in its original packaging.

The equipment has an integrated wall holder (Fig. 32/Item 33) to enable it to be hung on the wall.

- Always hold the equipment with one hand on the handle and the other hand on the additional handle. Do not carry the equipment by its motor housing.
- Secure the equipment against slipping if you transport it in a vehicle.
- As far as possible, use the original packaging for transporting the equipment.
- Use a transport guard for metal blades during transport and storage.

The reprinting or reproduction by any other means, in whole or in part, of documentation and papers accompanying the products is strictly subject to the express consent of Einhell Germany AG.

Subject to technical changes.





Avertissement !



**Danger!** - Lire le mode d'emploi pour diminuer le risque de blessures.



Porter la protection des yeux / de la tête et de l'audition !



Porter des chaussures robustes !



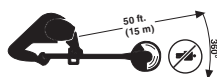
Porter des gants de protection !



Protéger l'appareil contre la pluie ou l'humidité !



Prendre garde aux pièces projetées.



La distance minimale entre la machine et les personnes se trouvant à proximité est de 15 m (50 pi).



L'outil continue à tourner !



Attention au recul !



N'utilisez pas de lames de scie.



Conservez les batteries uniquement dans des locaux secs et à une température ambiante de 50-104 °F (+10-+40 °C). Conservez les batteries uniquement en état chargé (au moins 40 % de charge).

**Danger !**

Certaines mesures de sécurité doivent être respectées pendant l'utilisation des appareils pour empêcher les blessures et les dommages. Par conséquent, lisez attentivement le présent mode d'emploi / les consignes de sécurité. Conservez-les bien pour avoir les informations toujours à la portée de la main. Si vous devez passer l'appareil à d'autres personnes, veuillez leur remettre également le présent mode d'emploi / les consignes de sécurité. Nous ne sommes pas tenus des accidents ou dommages survenus à cause de non-respect du présent mode d'emploi et des consignes de sécurité.

**1. Consignes de sécurité****Lisez toutes les instructions**

**AVERTISSEMENT** : Pendant l'utilisation des appareils électriques de jardinage, respectez toujours les mesures de sécurité pour réduire le risque d'incendie, de choc électrique et de blessures, y compris ce qui suit :

**POUR TOUS LES APPAREILS**

- Évitez les environnements dangereux – n'utilisez pas les appareils dans des endroits humides ou mouillés.
- Ne les utilisez pas sous la pluie.
- Éloignez les enfants, toutes les personnes et les animaux doivent être tenus à distance de la zone de travail.
- Habillez-vous correctement – ne portez pas de vêtements lâches ou des bijoux. Ils peuvent être happés par les pièces mobiles. Pour les travaux à l'extérieur, il est recommandé de porter des vêtements de protection, d'utiliser des gants de travail, de porter des pantalons longs, une chemise à manches longues et des chaussures de sécurité. Portez un couvre-chef pour recouvrir des cheveux longs.
- Utilisez des lunettes de sécurité – utilisez toujours un masque facial ou anti-poussière si l'endroit où vous travaillez est poussiéreux. Le but des règles de sécurité consiste à attirer votre attention sur les dangers potentiels. Les symboles de sécurité et leurs explications exigent votre attention et votre compréhension. Les avertissements de sécurité ne suppriment pas le risque à eux seuls. Les instructions ou avertissements qu'ils donnent ne remplacent pas les mesures adéquates de prévention d'accidents.
- Utilisez l'appareil approprié – n'utilisez pas l'appareil dans un autre but que celui pour lequel il a été conçu.
- Ne forcez pas l'appareil – il fonctionnera mieux et avec une moindre probabilité d'un risque ou d'une blessure à la vitesse pour laquelle il a été conçu.
- Ne vous penchez pas trop – gardez une bonne position et l'équilibre à tout instant.
- Restez vigilant. Utilisez du bon sens. N'utilisez pas l'appareil si vous êtes fatigué ou si vous vous trouvez sous l'emprise de drogues, d'alcool ou de médicaments.
- Si vous n'utilisez pas l'appareil, rangez-le dans un local sec inaccessible aux enfants.
- Entretenez l'appareil avec soin. Suivez les instructions de lubrification et de remplacement des accessoires. Gardez les poignées sèches, propres et exemptes d'huile et de graisse.
- Vérifiez les pièces endommagées. Avant d'utiliser l'appareil, assurez-vous que les dispositifs de sécurité sont intacts. N'utilisez jamais un outil sans son dispositif de sécurité. Vérifiez l'alignement de pièces mobiles, le coincement de pièces mobiles.
- Examinez les pièces cassées ou défectueuses qui peuvent affecter le fonctionnement en toute sécurité de votre outil. Une protection ou une autre pièce endommagée doit être correctement réparée ou remplacée par un centre de service autorisé, sauf indication contraire dans le présent mode d'emploi.
- Maintenir les protections en place et en état de marche.
- Maintenir les lames affûtées.
- Garder les mains et les pieds à l'écart de la zone de coupe.
- Rechargez uniquement avec un chargeur spécifié par le fabricant. Un chargeur qui convient pour un type de batterie peut créer un risque d'incendie s'il est utilisé avec un autre bloc de batterie.
- Utilisez les appareils uniquement avec des batteries spécifiquement désignées. L'utilisation de tout autre batterie peut créer un risque de blessure et d'incendie.
- Lorsque la batterie n'est pas utilisée, conservez-la à l'écart d'autres objets métalliques, comme les trombones, les pièces de monnaie, les clés, les clous, les vis ou autres petits objets métalliques qui pourraient créer une connexion entre les bornes. La mise en court-circuit des bornes de batteries peut

- causer des brûlures ou un incendie.
- Dans des conditions abusives, un liquide peut sortir de la batterie, évitez le contact. En cas de contact accidentel, rincez avec de l'eau. En cas de contact du liquide avec les yeux, consultez un médecin. Le liquide sorti de la batterie peut causer des irritations ou des brûlures. (Ce conseil est considéré comme juste pour les types de piles conventionnels de NiMh, NiCd, plomb-acide et Lithium-ion. Si ce conseil est inapproprié pour une conception de cellule différentes de celle-ci, le conseil judicieux peut être appliqué.
  - N'utilisez pas une batterie ou un appareil endommagés ou modifiés. Les batteries endommagées ou modifiées peuvent agir de manière imprévisible et donner lieu à un incendie, une explosion ou un risque de blessure.
  - N'exposez pas les batteries ou l'appareil au feu ou à des températures excessives. L'exposition au feu ou à une température supérieure à 130 °C (266 °F) peut provoquer une explosion.
  - Suivre toutes les instructions de charge et ne pas charger la batterie ou l'appareil en dehors de la gamme de température spécifiée dans les instructions. Un mauvais chargement ou un chargement à des températures en dehors de la gamme spécifiée peut endommager la batterie et augmenter les risques d'incendie.
  - Confiez le service à un réparateur qualifié qui utilise uniquement les pièces de rechange identiques. Cela permettra de maintenir la sécurité du produit.
  - Ne modifiez pas et n'essayez pas de réparer l'appareil ou la batterie (si applicable), sauf exception indiquée dans les instructions d'utilisation et d'entretien.
- 1.) POUR TOUS LES APPAREILS SANS FIL**
- Ne chargez pas l'appareil sous la pluie ou dans des locaux humides.
  - N'utilisez pas les appareils à batterie sous la pluie. Retirez toujours la batterie avant l'ajustement, le nettoyage, le service ou le transport l'appareil de jardin.
- 2.) POUR TOUS LES PRODUITS SANS FIL AVEC UNE BATTERIE AMOVIBLE OU SÉPARABLE :**
- Utilisez uniquement la batterie de type et de taille suivants :  
18V 1,5Ah PXC batterie Li-ion  
18V 2,0Ah PXC batterie Li-ion  
18V 2,5Ah PXC batterie Li-ion  
18V 3,0Ah PXC batterie Li-ion  
18V 4,0Ah PXC batterie Li-ion  
18V 3,0Ah PXC Plus batterie Li-ion  
18V 4,0Ah PXC Plus batterie Li-ion  
18V 5,2Ah PXC Plus batterie Li-ion  
18V 4,0Ah/6,0Ah PXC Plus batterie Li-ion  
18V 5,0Ah/8,0Ah PXC Plus batterie Li-ion
  - Ne jetez pas la batterie dans le feu. La cellule peut exploser. Consultez les règlements locaux pour connaître les instructions d'élimination spécifiques possibles.
  - N'ouvrez ni n'abîmez la batterie. L'électrolyte libéré est corrosif et peut être dangereux pour les yeux ou la peau. Il peut être toxique s'il est avalé.
  - Manipulez la batterie avec précaution afin de ne pas la court-circuiter avec des matériaux conducteurs, tels que les bagues, les bracelets et les clés. La batterie ou le conducteur peuvent surchauffer et causer des brûlures.
- 3.) ÉVITEZ UN DÉMARRAGE INTEMPESTIF – N'INSÉREZ PAS LA BATTERIE ALORS QUE VOTRE DOIGT EST SUR L'INTERRUPTEUR. ASSUREZ-VOUS QUE L'INTERRUPTEUR EST SUR L'ARRÊT EN INSÉRANT LA BATTERIE.**
- AVERTISSEMENTS DE SÉCURITÉ GÉNÉRAUX POUR LA BATTERIE**
- Éliminez la batterie usée vite et promptement. Lors de l'élimination des piles secondaires ou des batteries, gardez les piles ou les batteries de différents systèmes électrochimiques séparément les unes des autres.
  - Gardez la batterie hors de portée des enfants dans l'emballage d'origine jusqu'à son utilisation.
  - Ne mettez jamais les batteries dans la bouche. Si elles sont avalées, contactez immédiatement le centre antipoison local.
  - PRUDENCE – La batterie utilisée dans cet appareil peut présenter un risque d'incendie ou de brûlure chimique en cas de mauvaise manipulation. Remplacez uniquement la batterie de marque principale Einhell / gazon. L'utilisation d'une autre batterie peut présenter un risque d'incendie ou d'explosion.
  - AVERTISSEMENT : N'utilisez pas une batterie ou un appareil visiblement endommagé.
  - AVERTISSEMENT : Ne modifiez ni n'essayez de réparer l'appareil ou la batterie.
  - **LES BATTERIES DOIVENT ÊTRE RECYCLÉES.**

- Ne court-circuitez une cellule ou une batterie. Ne conservez pas les piles ou les batteries au hasard dans une boîte ou un tiroir ou elles peuvent court-circuiter entre elles ou être court-circuitées par les matériaux conducteurs.
- N'exposez pas les piles ou les batteries aux chocs mécaniques.
- Gardez les piles et les batteries dans un endroit propre et sec. Essuyez les bornes des piles ou des batteries avec un linge propre et sec si elles deviennent sales.
- Ne gardez pas les piles et les batteries chargées si vous ne les utilisez pas.
- Conservez la pile et la batterie d'origine. N'utilisez pas d'autres chargeurs que ceux qui sont spécifiquement fournis pour être utilisés avec l'équipement. Les piles et les batteries secondaires doivent être cherchées avant l'utilisation. Utilisez toujours le chargeur correct et référez-vous aux instructions du fabricant ou au mode d'emploi de l'équipement pour consulter les instructions de chargement correctes.
- Si possible, retirez la batterie de l'équipement lorsque vous ne l'utilisez pas.
- Empêchez tout démarrage non intentionnel. Assurez-vous que le bouton Marche/Arrêt est en position arrêt (OFF) avant de brancher la batterie, de prendre et de transporter l'outil. Le transport de l'appareil avec le doigt sur le bouton Marche/Arrêt ou la mise sous tension des appareils électriques dont le bouton Marche/Arrêt est en position marche (ON) peuvent causer des accidents.
- Débranchez la batterie de l'appareil avant de procéder aux ajustements, de remplacer les accessoires ou de ranger l'appareil. De telles mesures préventives réduisent le risque de démarrage accidentel de l'appareil.
- Dans des conditions abusives, un liquide peut sortir de la batterie, évitez le contact. En cas de contact accidentel, rincez avec de l'eau. En cas de contact du liquide avec les yeux, consultez un médecin. Le liquide sorti de la batterie peut causer des irritations ou des brûlures.
- Confiez le service à un réparateur qualifié qui utilise uniquement les pièces de rechange identiques. Cela permettra de maintenir la sécurité du produit.
- **Protégez votre batterie de l'humidité, de la pluie et de l'humidité de l'air élevée.** L'humidité, la pluie et l'humidité de l'air élevée peuvent endommager dangereusement

les cellules. En aucun cas, ne chargez ni ne travaillez avec la batterie qui a été exposée à l'humidité, à la pluie ou à l'humidité de l'air élevée – remplacez-les immédiatement !

- Si votre appareil est équipé d'une batterie amovible, retirez-la de votre appareil à la fin de votre travail pour des raisons de sécurité.

#### CONSIGNES DE SÉCURITÉ IMPORTANTES POUR LE CHARGEUR

**AVERTISSEMENT :** Ce produit peut contenir du plomb, du phtalate ou autres produits chimiques reconnus par l'État de Californie comme cause de cancer, d'anomalies congénitales et de lésions de l'appareil reproducteur. Veuillez laver vos mains après l'utilisation.

#### Consignes de sécurité supplémentaires

- Examinez l'objet à couper avant le début du travail. Enlevez les corps étrangers présents. Veillez aux corps étrangers pendant le travail. Si, toutefois, vous rencontrez un obstacle pendant la coupe, veuillez mettre l'appareil hors service et enlevez l'obstacle.
- Travaillez uniquement en conditions de visibilité suffisante.
- Tenez toujours l'appareil avec les deux mains. Les pouces et les doigts doivent alors enfermer les poignées.
- Veillez à ce que les poignées soient sèches et propres.
- Pendant les travaux sur une pente, veuillez vous tenir toujours au-dessous de l'outil de coupe. Ne coupez ni ne taillez jamais sur une butte ou une pente lisse et glissante.
- Veillez toujours en travaillant sur la position sûre et solide. Faites attention en reculant, vous pouvez trébucher !
- Ne laissez jamais l'appareil sans surveillance sur le lieu de travail. Si vous devez interrompre le travail, veuillez déposer l'appareil dans un endroit sûr.
- Si vous devez interrompre le travail pour vous rendre dans un autre espace de travail, veuillez éteindre impérativement l'appareil pendant le déplacement.
- N'utilisez jamais l'appareil sous la pluie ou dans un environnement humide ou mouillé.
- Protégez votre appareil de l'humidité et de la pluie.
- Avant d'allumer l'appareil, assurez-vous que le dispositif de coupe ne touche pas une pierre ou un autre objet.
- Portez toujours des vêtements adaptés en travaillant pour prévenir les blessures à la

tête, aux mains et aux pieds. Porter toujours un pantalon long, des chaussures, des gants et un vêtement à manches longues. Ne pas porter de vêtements flottants, bijoux, pantalons courts ni aller pieds nus. Fixer les cheveux au-dessus des épaules.

- Gardez impérativement l'appareil en marche loin du corps !
- N'allumez pas l'appareil s'il est retourné ou s'il ne se trouve pas en position de travail.
- Éteignez l'appareil et retirez la batterie si : vous n'utilisez pas l'appareil, le laissez sans surveillance, l'inspectez, retirez ou remplacez la bobine, transportez l'appareil d'un endroit à un autre.
- Gardez l'appareil hors de la portée des autres personnes, en particulier des enfants, et des animaux domestiques, l'herbe coupée et projetée peut cacher des pierres et autres objets.
- Pendant le travail, conservez une distance d'au moins 15 mètres (50 pi) par rapport aux autres personnes et aux animaux.
- Ne coupez pas des objets durs. Ainsi, vous ne vous blesserez pas et n'endommagerez pas l'appareil.
- Utilisez le bord du dispositif de protection pour garder l'appareil éloigné des murs, différentes surfaces et des choses fragiles.
- N'utilisez jamais l'appareil sans le dispositif de protection.
- Cet appareil ne doit pas être utilisé par des enfants ainsi que par des personnes avec des capacités physiques, sensorielles ou mentales réduites ou avec un manque d'expérience et de connaissances. Les enfants doivent être surveillés pour qu'ils ne joueront pas avec l'appareil. Ne confiez pas le nettoyage et l'entretien aux enfants.
- Évitez des postures anormales. Adoptez une position sûre et gardez l'équilibre à tout instant. Veillez toujours sur la bonne position en pente. Ne menez l'appareil qu'au pas.
- Risque de blessures dû aux pièces mobiles !
- Ne touchez pas les pièces mobiles avant de retirer la batterie et de mettre complètement à l'arrêt toutes les pièces mobiles.
- Lisez attentivement le mode d'emploi. Familiarisez-vous avec les dispositifs de commande et l'usage correct de l'appareil.
- N'autorisez jamais les enfants ou autres personnes qui n'ont pas lu le mode d'emploi d'utiliser l'appareil. Des dispositions locales peuvent fixer l'âge minimal de l'utilisateur.
- N'oubliez pas que c'est l'utilisateur qui est responsable des accidents ou mises en

danger des autres personnes ou de leur propriété.

- Avant l'utilisation, effectuez toujours un contrôle visuel pour vérifier si les dispositifs de protection manquent, sont endommagés ou sont montés correctement.
- N'utilisez jamais l'appareil dans de mauvaises conditions météorologiques, en particulier en cas de risque de foudre.
- N'utilisez jamais l'appareil avec une protection endommagée ou sans protections.
- N'allumez le moteur que si vos mains et vos pieds se trouvent hors de la portée du dispositif de coupe.
- Éteignez l'appareil et retirez la batterie
  - toujours lorsque l'appareil est laissé sans surveillance.
  - avant la suppression d'un blocage.
  - avant l'inspection, le nettoyage ou la modification de l'appareil.
  - après le contact avec un corps étranger.
  - toujours si l'appareil commence à vibrer de manière inhabituelle (examiner aussitôt). L'appareil ne doit être remis en service qu'après la suppression de la cause. Si vous ne trouvez pas la cause de la vibration, contactez le service à la clientèle.
- Risque de blessures par le dispositif de coupe ! Gardez les pieds et les mains hors de la portée du dispositif de coupe !
- Utilisez uniquement les pièces de rechange et les accessoires recommandés par le fabricant.
- Examinez et entretenez l'appareil régulièrement.

**Attention ! Le dispositif de protection est essentiel pour votre sécurité et celle des autres ainsi que pour le fonctionnement correct de l'appareil. Le non-respect de cette prescription entraîne la perte de la garantie, en plus de la création d'une source de danger potentiel.**

- N'essayez pas d'arrêter le dispositif de coupe avec les mains.
- Attendez toujours qu'il s'arrête tout seul.
- Utilisez uniquement le dispositif de coupe d'origine.
- Gardez les ouvertures de ventilation propres.
- N'essayez pas de couper avec l'appareil l'herbe qui ne pousse pas au sol. Par exemple, n'essayez pas de couper de l'herbe qui pousse sur des murs ou des pierres, etc. Dans la zone de travail du coupe-herbe, l'uti-



lisateur est responsable à l'égard des tiers des dommages causés par l'utilisation de l'appareil.

- Ne traversez pas les rues ou les chemins avec l'appareil allumé.
- Si vous n'utilisez pas l'appareil, gardez-le dans un endroit sec hors de la portée des enfants.
- Utilisez l'appareil uniquement de la manière décrite dans les présentes instructions de service et tenez-le toujours verticalement par rapport au sol. Toute autre position présente des dangers.
- Vérifiez régulièrement si les vis sont bien serrées.
- Gardez toujours la surface à couper exempte de câbles et autres objets.
- Si l'appareil doit être soulevé pour être transporté, arrêtez le moteur et attendez que l'outil s'immobilise. Arrêtez le moteur avant de quitter l'appareil.
- Ne coupez en aucun cas des objets durs pendant le fonctionnement pour prévenir des blessures de l'opérateur et l'endommagement de l'appareil.
- Utilisez uniquement des pièces d'origine pour les réparations.
- Avant la mise en service de l'appareil et après toute collision, vérifiez la présence de l'usure ou des dommages et procédez aux réparations nécessaires.
- Gardez toujours les mains et les pieds éloignés du dispositif de coupe, surtout au moment d'allumer le moteur.
- Retirez la batterie : avant l'examen, le nettoyage ou les travaux sur l'appareil et lorsqu'il n'est pas utilisé.
- Familiarisez-vous avec les dispositifs de réglage et l'utilisation conforme de l'appareil.
- Interrompez l'utilisation de l'appareil si quelqu'un, avant tous les enfants ou les animaux domestiques, se trouvent à proximité.
- N'utilisez jamais l'appareil avec des dispositifs de protection endommagés ou manquants.
- Ne montez jamais des éléments coupants en métal. Ne remplacez jamais le dispositif de coupe non-métallique par un dispositif de coupe métallique.

En cas de travaux prolongés, les vibrations dans les mains de l'opérateur peuvent entraîner des troubles de la circulation sanguine (syndrome de Raynaud).

Le syndrome de Raynaud est un trouble vasculaire de crispation paroxystique des petits vaisseaux sanguins des doigts et des orteils. Les zones concernées ne sont plus suffisamment alimentées en sang ce qui donne un aspect extrêmement pâle.

L'usage fréquent des appareils vibrants peuvent provoquer des lésions nerveuses chez les personnes dont la circulation sanguine est perturbée (p. ex., les fumeurs, les diabétiques).

Si vous remarquez des perturbations inhabituelles, arrêtez immédiatement le travail et consultez un médecin.

Pour réduire les risques, tenez compte des remarques suivantes :

- Couvrez bien votre corps et en particulier vos mains s'il fait froid.
- Faites régulièrement des pauses et bougez vos mains pour stimuler la circulation sanguine.
- Réduisez au possible la vibration de la machine en moyen des entretiens réguliers et des pièces de l'appareil solidement fixées.

#### Mesures de sécurité lors de la manipulation de la lame de coupe

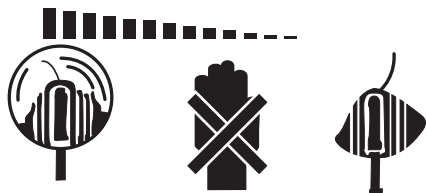
- Respectez tous les avertissements et les instructions de service et de montage de la lame de coupe.
- La lame de coupe peut être brusquement repoussé par des objets qu'elle ne peut pas couper / faucher. Cela peut entraîner des blessures aux mains et aux jambes. Tenez les personnes et les animaux vous entourant au moins à 15 mètres (50 pi) de distance dans toutes les directions par rapport au lieu de travail. Si l'appareil rencontre un corps étranger, arrêtez immédiatement le moteur et attendez que la lame de coupe s'arrête. Vérifiez si la lame de coupe présente des dommages. Remplacez toujours la lame de coupe si elle est tordue ou cassée.
- La lame de coupe rejette violemment des objets. Cela peut causer un aveuglement ou des blessures. Portez des protections des yeux, du visage et des jambes. Retirez toujours des objets de la zone de travail avant d'utiliser la lame de coupe.
- Vérifiez minutieusement l'absence de dommages sur votre appareil et sur les ajouts avant chaque utilisation. N'utilisez pas l'appareil si tous les accessoires de coupe ne sont pas correctement installés.
- Dès que la gâchette de l'accélérateur est relâchée, la lame de coupe continue à fonction-

ner quelques instants. Pendant ce temps-là, la lame de coupe peut infliger des coupures à vous et aux personnes vous entourant. Avant d'effectuer des travaux sur la lame de coupe, coupez le moteur et assurez-vous que la lame de coupe s'est arrêtée.

- Zone de danger de 15 mètres (50 pi) de diamètre. Les personnes se trouvant à proximité peuvent subir un aveuglement ou des blessures. Respectez une distance de 15 mètres (50 pi) dans toutes les directions entre vous et les autres personnes ou les animaux.

**Attention : Le dispositif de coupe tourne encore quelques secondes après l'arrêt !**

L'outil continue à tourner



**CONSERVEZ CES INSTRUCTIONS**

## 2. Description de l'appareil et contenu de l'emballage

### 2.1 Description de l'appareil

1. Logement de la batterie
2. Interrupteur de marche et d'arrêt
3. Verrouillage de mise en marche
4. Sangle de fixation
5. Fixation de la poignée supplémentaire
6. Longeron de guidage supérieur
7. Articulation du longeron
8. Écrou-raccord
9. Longeron de guidage inférieur
10. Carter du moteur
11. Boîtier de bobine
12. Levier de blocage
13. Capot de protection du fil
14. Coupe-fil
15. Capot de protection
16. Poignée supplémentaire
17. Vis de la poignée
18. Bobine de fil
19. Fil
20. Bandoulière

21. Lame de coupe
22. Outil multifonctions sans fil
23. Plaque de pression
24. Protection de la plaque de pression
25. Écrou hexagonal M10 autobloquant
26. Patte de fixation de câble
27. Support
28. L'axe du moteur
29. Anneau en plastique
30. Unité de fil de coupe
31. Vis de sécurité
32. Ressort de pression
33. Support mural
34. Reinure
35. Batterie (non fourni)
36. Touche d'enclenchement
37. Témoin de charge de la batterie
38. Bouton de témoin de charge de la batterie

### 2.2 Contenu d'emballage

Veillez contrôler l'intégralité de l'article au moyen du contenu d'emballage décrit. En cas de pièces manquantes, veuillez contacter notre centre de service à la clientèle ou le point de vente où vous avez acheté l'appareil au plus tard dans les 5 jours ouvrables à compter de l'achat de l'article en présentant un ticket de caisse valable.

- Ouvrez l'emballage et retirez prudemment l'appareil.
- Enlevez le matériau d'emballage ainsi que les sécurités d'emballage et de transport (le cas échéant).
- Vérifiez l'intégralité du contenu d'emballage.
- Vérifiez si l'appareil et les accessoires présentent des dommages dus au transport.
- Si possible, conservez l'emballage jusqu'à l'expiration de la durée de garantie.

### Danger !

**L'appareil et le matériau d'emballage ne sont pas un jouet ! Les enfants ne doivent pas jouer avec des sachets en plastique, des films ou de petites pièces ! Il existe le risque d'ingestion et de suffocation !**

- Partie supérieure avec poignée
- Partie inférieure avec bobine de fil
- Capot de protection
- Poignée de guidage
- Bandoulière
- Lame de coupe
- Outil multifonctions sans fil
- Plaque de pression
- Protection de la plaque de pression
- Écrou hexagonal M10

- 2x Patte de fixation de câble
- Mode d'emploi d'origine avec consignes de sécurité

#### Accessoires disponibles séparément

18V 1,5Ah PXC batterie Lithium-Ion  
 18V 2,0Ah PXC batterie Lithium-Ion  
 18V 2,5Ah PXC batterie Lithium-Ion  
 18V 3,0Ah PXC batterie Lithium-Ion  
 18V 4,0Ah PXC batterie Lithium-Ion  
 18V 3,0Ah PXC Plus batterie Lithium-Ion  
 18V 4,0Ah PXC Plus batterie Lithium-Ion  
 18V 5,2Ah PXC Plus batterie Lithium-Ion  
 18V 4,0Ah/6,0Ah PXC Plus batterie Lithium-Ion  
 18V 5,0Ah/8,0Ah PXC Plus batterie Lithium-Ion  
 18V PXC chargeur rapide à double raccord  
 18V PXC chargeur rapide

Contactez votre détaillant pour les modèles plus spécifiques de batteries et de chargeurs disponibles dans votre région. Vous pouvez également explorer les options de batterie + chargeur sur [Einhell.com](http://Einhell.com).

### 3. Utilisation conforme

En tant que coupe-herbes + faux sans fil (utilisation de la lame de coupe), l'appareil convient pour couper de petites branches, de la mauvaise herbe épaisse et du sous-bois léger.

En tant que coupe-herbe sans fil (utilisation de la bobine de fil avec fil de coupe), l'appareil convient pour couper de l'herbe, la pelouse ou des mauvaises herbes légères.

L'appareil n'est pas prévu pour des terrains publics, parcs, équipements sportifs, pour l'utilisation dans la rue ni dans l'agriculture ou sylviculture.

Le respect du mode d'emploi fourni par le fabricant constitue la condition de l'utilisation conforme de l'appareil.


**Attention !** En raison du danger physique de l'opérateur, l'appareil ne doit pas être employé pour les travaux suivants : pour le débroussaillage des trottoirs ni en tant que broyeur des tronçons d'arbre ou de haies. En outre, l'appareil ne doit pas être utilisé pour le nivellement des irrégularités du sol, comme p. ex., les taupinières. Pour des raisons de sécurité, l'appareil ne doit pas être utilisé en tant que groupe moteur pour les autres outils de travail et les jeux d'outils de

toute nature.

La machine ne doit être utilisée que conformément à sa destination. Toute autre utilisation dépassant ce cadre n'est pas conforme. C'est l'utilisateur / l'opérateur qui est responsable de tous les dommages ou blessures de toute nature en résultant et non pas le fabricant.

### 4. Caractéristiques techniques

Alimentation électrique

du moteur: ..... 36V  (2x 18V)

Vitesse à vide TR/MIN (RPM): ..... 0 - 6400

Largeur de coupe avec lame: ..... 25,5 cm (10")

Largeur de coupe: ..... 30 cm (12")

Longueur de bobine de fil: ..... 8 m (26 pi.)

Diamètre du fil: ..... 2 mm (0,08")

Poids (outil seulement):.....6,1 kg (13,4 lb)

#### Limitez à un minimum l'émission de bruit et les vibrations !

- Utilisez uniquement des appareils irrécupérables.
- Entretenez et nettoyez l'appareil régulièrement.
- Adaptez votre méthode de travail à l'appareil.
- Ne surchargez pas l'appareil.
- Faites examiner l'appareil le cas échéant.
- Éteignez l'appareil lorsqu'il n'est plus utilisé.
- Portez des gants.

### 5. Avant la mise en service

**Prudence !** Effectuer tous les montages et réglages suivants sans la batterie – risque de blessures. Utilisez des gants de protection.

Examiner l'appareil avant chaque utilisation. Remplacer les pièces endommagées. Vérifier l'absence de fuites de carburant. S'assurer que tous les fixations sont en place et bien serrées. Remplacer les accessoires de coupe fissurés, ébréchés ou endommagés de quelque façon que ce soit. S'assurer que la protection de l'accessoire de coupe est correctement installée et solidement fixée. S'assurer que la protection de l'accessoire coupant est correctement attachée et se trouve dans la position recommandée par le fabricant. Utiliser uniquement

### 5.1 Montage du capot de protection (fig. 3)

Retirez la vis à six pans creux du capot protecteur. Poussez le capot de protection (15) jusqu'à la butée du logement du carter du moteur et serrez-le à fond à l'aide de la vis à six pans creux retirée précédemment (fig. 3). Une lame se trouve en dessous du capot protecteur (fig. 2 / pos. 14) destinée à la régulation automatique de la longueur du fil. Elle est munie d'un capot de protection. Retirez le capot de protection avant le début du travail.

### 5.2 Montage de la poignée supplémentaire (fig. 4 – 8)

Dévissez la vis de la poignée (fig. 2/pos. 17) et retirez l'élément de compression (fig. 2/pos. 5). Insérez la poignée supplémentaire (16) dans la fixation (27) de sorte que la bague en plastique (29) se trouve dans la rainure (34) de la fixation (27) (voir plan détaillé 5).

**Attention !** La poignée supplémentaire est mal montée, lorsque, comme montré sur le plan détaillé 6, la bague en plastique (29) se trouve hors de la rainure (34). La poignée supplémentaire peut être endommagée pendant le fonctionnement en raison de cette erreur de montage. Fixez la poignée supplémentaire (16) avec l'élément de compression (5) en serrant à nouveau la vis de la poignée (17). Fixez la gaine de câbles avec les deux brides de fixation de câble (26) jointes comme illustré.

### 5.3 Montage du longeron de guidage (fig. 9)

Insérez le longeron de guidage supérieur (6) dans le longeron de guidage inférieur (9). Vissez l'articulation du longeron (7) au longeron de guidage inférieur à l'aide de l'écrou-raccord (8) du longeron de guidage supérieur.

### 5.4 Régler l'inclinaison de la poignée supplémentaire (fig. 7)

Desserrez la vis de la poignée (17) pour régler l'inclinaison optimale de la poignée supplémentaire pendant le travail. Réglez l'inclinaison souhaitée de la poignée supplémentaire (16). Resserrez la vis de la poignée (17).

### 5.5 Enlèvement / montage de l'unité de fil de coupe (fig. 10)

**Remarque :** L'appareil est préparé à l'usine pour le fonctionnement avec le fil de coupe.

**Avertissement !** Faites attention à ne pas vous blesser à la lame de coupe.

#### a) Enlèvement de l'unité de fil de coupe

Pressez le levier de blocage (12) vers le bas

tout en tournant en même temps l'unité de fil de coupe (30) dans le sens des aiguilles d'une montre jusqu'à l'enclenchement du levier de blocage. Tournez l'unité de fil de coupe dans le sens des aiguilles d'une montre à partir de l'axe du moteur.

#### b) Montage de l'unité de fil de coupe

Pressez le levier de blocage (12) vers le bas tout en tournant en même temps l'unité de fil de coupe (30) dans le sens contraire aux aiguilles d'une montre sur l'axe du moteur jusqu'à l'enclenchement du levier de blocage. Serrez l'unité de fil de coupe avec la main sur l'axe du moteur. Contrôlez si l'unité de fil de coupe tourne librement après le relâchement du levier de blocage. Si ce n'est pas le cas, faites vérifier le mécanisme par un spécialiste.

### 5.6 Capot de protection pour l'utilisation avec la lame de coupe (fig. 11)

**Prudence !** La protection du fil de coupe (13) doit être retirée pendant le travail avec la lame de coupe. Faites attention à ne pas vous blesser à la lame de fil de coupe.

Desserrez les deux vis de sécurité (31) de la protection du fil de coupe.

Commencez par le côté et pressez prudemment les ergots d'encliquetage vers l'intérieur et retirez peu à peu la protection de fil de coupe (13).

### 5.7 Capot de protection pour l'utilisation avec le fil de coupe (fig. 11)

**Prudence !** La protection du fil de coupe (13) doit être remontée pendant le travail avec le fil de coupe. Faites attention à ne pas vous blesser à la lame de fil de coupe. Commencez par le côté et pressez prudemment les ergots d'encliquetage de la protection de fil de coupe et fixez-les avec les deux vis (31).

### 5.8 Montage/Retrait de la lame

Le montage de la lame est illustré sur les figures 12 - 14. Respectez le plan détaillé 15. Avertissement ! Veillez à ne pas vous blesser avec la lame.

#### a) Montage de la lame

**Important !** Si lors du démontage la pièce d'écartement, qui se trouve entre la lame et le carter du moteur (plan détaillé 15 / pos. 27), a glissé de l'axe du moteur (28), enfichez-la sur l'axe du moteur comme montré sur l'image.

1. Insérez la lame (21).
2. La plaque de compression (23) doit être enfoncée avec le bord surélevé dirigé vers la lame

- (plan détaillé 15).
3. Insérez le recouvrement de plaque de compression (24).
  4. Vissez l'écrou à six pans M10 (25).  
**Avertissement !** Pour des raisons de sécurité, les écrous autobloquants ne doivent être utilisés qu'une seule fois.
  5. Poussez le levier d'arrêt (12) et bloquez l'axe du moteur. Serrez l'écrou à six pans au moyen de l'outil multifonctions (22).
  6. Contrôlez si après avoir relâché le levier d'arrêt, la lame (21) peut tourner librement. Si ce n'est pas le cas, faites vérifier le mécanisme par un spécialiste.

#### b) Démontage de la lame de coupe

Pressez le levier de blocage vers l'avant et bloquez l'axe du moteur. Dévissez l'écrou hexagonal et retirez la protection de la plaque de pression, la plaque de pression et la lame de coupe.

#### Avant chaque mise en service de l'appareil, contrôlez :

- L'état parfait et l'intégralité des dispositifs de sécurité et du dispositif de coupe.
- Le bon serrage de toutes les vis.
- La bonne mobilité de tous les éléments mobiles.

#### 5.9 Mettre la bandoulière

**Prudence !** Pendant le travail, portez toujours la bandoulière fournie (fig. 2 / pos. 20). Éteignez toujours l'appareil avant de détacher la bandoulière – risque de blessures !

- Mettre la bandoulière (fig. 16)
- Accrocher l'appareil à la bandoulière (fig. 17)
- Les divers dispositifs de réglage de la sangle sur la bandoulière permettent de régler les positions de travail et de coupe optimales. En cas de besoin, la sangle de fixation (fig. 18 / pos. 4) peut être décalée sur le longeron supérieur. Pour ce faire, dévisser l'écrou papillon de la sangle de fixation, décaler la sangle de fixation et resserrer l'écrou papillon.
- Pour déterminer la longueur optimale de la bandoulière, faites ensuite quelques mouvements oscillatoires, sans allumer le moteur (fig. 19).

La bandoulière est munie d'un mécanisme d'ouverture rapide. S'il est nécessaire de déposer l'appareil rapidement, tirez l'élément rouge de la sangle (fig. 20).

#### 5.10 Montage de la batterie

Poussez la batterie à gauche et à droite dans les compartiments prévus à cette fin (fig. 2 / pos. 1). Dès que la batterie est complètement insérée (fig. 1), elle s'enclenche. Pour retirer la batterie, appuyez sur la touche d'enclenchement (fig. 21/pos. 36) et retirez la batterie.

### 6. Fonctionnement

Veillez tenir compte des dispositions légales de la réglementation de la protection sonore, qui peuvent varier d'un lieu à un autre.

**Danger !** Le capot de protection doit être monté pendant les travaux.

#### 6.1 Allumer et éteindre l'appareil, régler la vitesse de rotation (fig. 22)

##### Allumer et régler la vitesse de rotation

Enfoncez le verrouillage de mise en marche (3) et actionnez simultanément l'interrupteur de marche / arrêt (2). Vous pouvez commander en continu la vitesse pendant le fonctionnement grâce à une pression plus forte ou plus faible sur l'interrupteur marche / arrêt. Plus forte est votre pression, plus la vitesse de rotation est élevée.

##### Mise à l'arrêt

Relâchez l'interrupteur de marche / arrêt.

#### 6.2 Consignes de travail

Avant l'utilisation de l'appareil, entraînez-vous à toutes les techniques sans allumer le moteur et sans la batterie. Ne coupez avec le fil de coupe que de l'herbe sèche. L'herbe haute doit être coupée plus court graduellement (fig. 23).

#### Extension du fil de coupe (fig. 24)

**Danger !** N'utilisez pas de fil métallique ni de fil en plastique enrobé de plastique de quelque nature que ce soit dans la bobine de fil. Cela peut entraîner de graves blessures chez l'utilisateur.

Le coupe-herbe possède un système d'extension de fil partiellement automatique (système automatique par effleurement). À chaque actionnement du système d'extension du fil semi-automatique, le fil est étendu automatiquement pour que vous puissiez tailler votre gazon toujours à la largeur de coupe optimale. Pour étendre le fil de coupe, faites tourner le moteur et tapotez le fond

de la bobine de fil. Le fil sera étendu automatiquement. La lame sur le capot de protection raccourcit le fil jusqu'à la longueur acceptable. Veuillez noter que l'actionnement fréquent du mécanisme d'extension de fil augmente l'usure du fil.

**Remarque :** Lors de la première mise en service de votre appareil, l'extrémité excédentaire du fil de coupe dépassant éventuellement est coupée par la lame de coupe du capot de protection. Si le fil est trop court lors de la première mise en service, appuyez sur le bouton sur la bobine de fil et en retirez fortement le fil. Au premier démarrage, le fil de coupe est raccourci automatiquement sur la longueur optimale.

Enlevez régulièrement avec précaution tous les restes de gazon du dessous du capot de protection avec une brosse ou similaire.

#### Différents procédés de coupe

Si l'appareil est monté correctement, il coupe les mauvaises herbes et l'herbe haute dans des endroits difficilement accessibles, comme p. ex., le long des clôtures, murs et fondations ainsi qu'autour des arbres. Il peut également être utilisé pour des « travaux de fauchage » pour enlever la végétation près du sol pour une meilleure préparation de votre jardin ou pour débroussailler une zone déterminée.

**À noter :** Même en cas d'utilisation précautionneuse, la coupe le long des fondations, murs en pierre ou en béton, etc. entraîne une usure du fil supérieure à la normale.

#### Taillage / fauchage

Balancer le coupe-herbe avec un mouvement de fauchage d'un côté à l'autre. Gardez la bobine de fil toujours parallèle au sol. Examinez le terrain et déterminez la hauteur de coupe souhaitée. Guidez et maintenez la bobine de fil à la hauteur souhaitée afin d'obtenir une coupe régulière (fig. 25).

#### Taillage bas

Maintenez le coupe-herbe légèrement incliné exactement devant vous de sorte que le dessous de la bobine de fil se trouve au-dessus du sol et le fil et que le fil tombe sur le bon point de coupe. Fauchez toujours vers l'extérieur. Ne tirez pas le coupe-herbe vers vous.

#### Coupe à la clôture / fondations

Pendant le fauchage, approchez-vous lentement des clôtures barbelées, des clôtures en bois, des

murs de pierre naturelle et des fondations pour y couper de plus près, sans pour autant rencontrer un obstacle avec le fil. Si, p. ex., le fil touche des pierres, des murs de pierres ou des fondations, il s'use ou s'effiloche. Si le fil tombe sur le treillis, il se brise.

#### Taillage autour des arbres

Si vous taillez autour des troncs d'arbre, approchez-vous lentement afin que le coupe-herbe ne touche pas l'écorce. Faites le tour de l'arbre en taillant de gauche à droite. Approchez-vous de l'herbe ou des mauvaises herbes avec l'extrémité du fil et renversez légèrement la bobine de fil vers l'avant.

**Avertissement :** Soyez particulièrement prudent pendant les travaux de fauchage. Lors de tels travaux, respectez une distance de 30 mètres (100 pi) entre vous et les autres personnes ou les animaux.

#### Fauchage

En fauchant, vous enlevez toute la végétation jusqu'à la terre. Pour ce faire, inclinez la bobine de fil vers la droite à un angle de 30 degrés. Mettez la poignée en position souhaitée. Notez le risque élevé de blessure de l'utilisateur, du spectateur ou des animaux ainsi que le risque de dommages matériels dus à des objets projetés (p. ex., pierres) (fig. 26).

**Avertissement :** N'enlevez pas des objets des chemins, etc. avec l'appareil !

L'appareil est un outil puissant, et des petits cailloux ou autres objets peuvent être projetés à 15 mètres (50 pi.) ou plus et causer des blessures ou endommager des voitures, maisons et fenêtres.

#### Sciage

L'appareil ne convient pas pour le sciage.

#### Coincement

Si la lame de coupe se bloque à cause d'une végétation trop dense, coupez le moteur immédiatement. Débarrassez l'appareil de l'herbe et des broussailles avant de le remettre en service.

#### Empêchement du recul

Lors des travaux avec la lame de coupe, il existe le risque de recul si elle rencontre des obstacles fixes (tronc d'arbre, branche, souche, pierre, etc.) L'appareil est alors rejeté contre le sens de rotation de l'outil. Cela peut alors entraîner la perte de contrôle de l'appareil. N'utilisez pas la lame de coupe à proximité des clôtures, poteaux mé-

talliques, bornes ou fondations. Pour couper des tiges épaisses, placez-les comme représenté à la fig. 20 pour éviter les reculs.

### 6.3 Chargement de la batterie au Lithium-Ion (non inclus)

Vous trouverez les instructions correspondantes dans le mode d'emploi d'origine de votre chargeur.

### 6.4 Affichage de la capacité de la batterie (image 21/Pos. 37)

Appuyez sur l'interrupteur de l'affichage de la capacité de la batterie (38). L'affichage de la capacité de la batterie (37) signale l'état de charge de la batterie au moyen de 3 DEL.

#### Les 3 DEL s'allument:

La batterie est complètement chargée.

#### 2 ou 1 DEL s'allument:

La batterie a une charge résiduelle suffisante.

#### 1 DEL clignote:

La batterie est déchargée, chargez la batterie.

#### Tous les voyants clignotent :

La température de la batterie est trop basse. Retirez la batterie de l'appareil, laissez-la à température ambiante pendant une journée. Si le défaut se reproduit, cela signifie que la batterie rechargeable a subi une décharge complète et est défectueuse. Retirez la batterie de l'équipement. N'utilisez ou ne chargez jamais une batterie défectueuse.

## 7. Nettoyage et entretien

### Danger !

Avant tout travail de nettoyage, retirez la batterie de l'appareil.

#### 7.1 Nettoyage

- Maintenez les dispositifs de protection, les fentes d'aération et les carters de moteur aussi exempt de poussières et de saletés que possible. Frottez l'appareil avec un linge propre et nettoyez-le à l'air comprimé à basse pression.
- Nous recommandons de nettoyer l'appareil directement après chaque utilisation.
- Nettoyez l'appareil régulièrement avec un linge humide et un peu de savon doux. N'utili-

sez pas de détergeant ni de solvants ; ils peuvent détériorer les éléments en plastique de l'appareil. Veillez à ce que l'eau ne puisse pas pénétrer à l'intérieur de l'appareil. La pénétration de l'eau dans un appareil électrique augmente le risque d'une électrocution.

- Enlevez les dépôts sur la protection à l'aide d'une brosse.

#### 7.2 Remplacement de la bobine de fil

##### Danger ! Retirez la batterie !

1. Fig. 28. Pressez le boîtier de la bobine de fil aux endroits marqués et retirez la protection de la bobine.
2. Retirez la bobine de fil vide et le ressort de pression.
3. Fig. 29. Passez l'extrémité du fil de la nouvelle bobine de fil à travers l'œillet de la protection de la bobine en laissant le fil dépasser d'env. 13 cm (5.1"). Mettez le ressort de pression (32) dans la bobine de fil.
4. Pressez de nouveau la protection de bobine dans le boîtier de la bobine de fil.

#### 7.3 Remplacement du fil de coupe

##### Danger ! Retirez la batterie !

1. Fig. 28. Pressez le boîtier de la bobine de fil aux endroits marqués et retirez la protection de la bobine.
2. Retirez la bobine de fil vide et le ressort de pression.
3. Retirez le fil de coupe s'y trouvant éventuellement encore.
4. Fig. 30 Insérez le nouveau fil de coupe dans la fixation de fil à l'intérieur de la bobine.
5. Enroulez le fil sous tension dans le sens contraire aux aiguilles d'une montre.
6. Fig. 31 Accrochez environ 15 cm (5,9") de l'extrémité du fil dans un des supports de fil sur le bord de la bobine.
7. Fig. 29 Passez l'extrémité du fil de la nouvelle bobine de fil à travers l'œillet de la protection de la bobine. Mettez le ressort de pression (32) dans la bobine de fil.
8. Tirez de façon brève et énergique l'extrémité du fil pour le libérer du support de fil.
9. Pressez de nouveau la protection de bobine dans le boîtier de la bobine de fil.

Au premier démarrage, le fil de coupe est raccourci automatiquement sur la longueur optimale.

**Attention ! Les éléments du fil en nylon projetés peuvent entraîner des blessures !**



#### 7.4 Affûtage de la lame du capot de protection

La lame du capot de protection (fig. 2 / pos. 14) peut s'émousser avec le temps. Si vous le constatez, desserrez les vis fixant la lame du capot de protection sur le capot de protection. Fixez la lame dans un étau. Affûtez la lame à l'aide d'une lame plate et veillez à respecter l'angle de l'arrête de coupe. Limez toujours dans une seule direction.

#### 7.5 Entretien

L'intérieur de l'appareil ne contient pas de pièces exigeant un entretien.

Bobine de fil de rechange réf. : 3405097

Lame de rechange réf. : 3405084

- Utilisez si possible l'emballage d'origine pour le transport.
- Utilisez une protection de transport pour feuilles métalliques, pendant le transport et le stockage.

Une réimpression ou toute autre reproduction de la documentation et des documents accompagnant les produits, même par extraits, ne sont autorisées qu'avec accord exprès d'Einhell Germany AG.

Sous réserve des modifications techniques.

## 8. Élimination et recyclage

L'appareil se trouve dans un emballage pour empêcher les dommages dus au transport. Cet emballage constitue une matière première et peut par conséquent être réutilisé ou peut être recyclé. L'appareil et ses accessoires sont fabriqués à partir de différents produits, comme par exemple le métal et les matières plastiques. Ne jetez pas les appareils défectueux dans les déchets ménagers. Pour être éliminé de façon appropriée, l'appareil devrait être déposé à un lieu de collecte approprié. Si vous ne connaissez aucun lieu de collecte, informez-vous auprès de l'administration municipale.

## 9. Entreposage

Entreposez l'appareil et ses accessoires dans un endroit sombre, sec et exempt de gel ainsi que hors la portée des enfants. La température d'entreposage optimale se situe entre 10 °C et 40 °C (50 °F et 104 °F). Entreposez l'outil électrique dans l'emballage d'origine.

L'appareil peut être accroché au support mural intégré (fig. 32/pos. 33).

- Portez toujours l'appareil en plaçant une main sur la poignée et l'autre main sur la poignée supplémentaire. Ne portez pas l'appareil par le carter du moteur.
- Protégez l'appareil contre tout glissement, lorsque vous le transportez dans un véhicule.



Aviso!



**Peligro!** - Leer el manual de instrucciones para reducir cualquier riesgo de sufrir daños.



Llevar protección para ojos, cabeza y oídos.



Llevar calzado resistente.



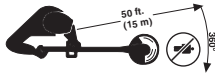
Llevar guantes protectores.



Proteger el aparato de la lluvia o la humedad.



Tener cuidado con las piezas que puedan salir proyectadas!



Entre la máquina y las personas que se encuentran en las inmediaciones debe existir una distancia de al menos 50 pies (15 metros).



La herramienta sigue en marcha por inercia.



¡Cuidado con el efecto de retroceso!



No emplear hojas de sierra.



Almacenamiento de las baterías sólo en espacios secos con una temperatura ambiente de 50°F to 104°F (+10°C to +40°C). Guardar las baterías únicamente cuando estén cargadas (mín. al 40%).

**Peligro!**

Al usar aparatos es preciso tener en cuenta una serie de medidas de seguridad para evitar lesiones o daños. Por este motivo, es preciso leer atentamente este manual de instrucciones/advertencias de seguridad. Guardar esta información cuidadosamente para poder consultarla en cualquier momento. En caso de entregar el aparato a terceras personas, será preciso entregarles, asimismo, el manual de instrucciones/advertencias de seguridad. No nos hacemos responsables de accidentes o daños provocados por no tener en cuenta este manual y las instrucciones de seguridad.

**1. Instrucciones de seguridad****Leer todas las instrucciones**

**ADVERTENCIA:** Al usar aparatos eléctricos de jardinería es preciso tener en cuenta una serie de medidas básicas de seguridad con el fin de reducir el riesgo de incendio, descarga eléctrica y lesiones personales, incluyendo las siguientes:

**PARA TODOS LOS APARATOS**

- Evitar entornos peligrosos: no utilizar los aparatos en lugares húmedos o mojados.
- No usar bajo la lluvia.
- Mantener a los niños alejados: es preciso mantener a todas las personas y animales alejados de la zona de trabajo.
- Vestirse adecuadamente: no llevar ropa holgada ni joyas. Podrían quedarse atrapadas en las piezas móviles. Llevar ropa protectora: se recomienda usar guantes, pantalones largos, una camiseta de manga larga y calzado de seguridad siempre que se trabaje en el exterior. Llevar gorro para cubrir y proteger el pelo largo.
- Llevar gafas de seguridad: llevar siempre mascarilla antipolvo si hay polvo en el área en el que se va a trabajar. El objetivo de las normas de seguridad es advertir de los posibles peligros. Es preciso prestar especial atención y comprender los símbolos de seguridad y sus explicaciones. Las advertencias de seguridad no eliminan por sí mismas los peligros. Las instrucciones o advertencias que ofrecen no sustituyen las medidas adecuadas para la prevención de accidentes.
- Utilizar el aparato adecuado: no utilizar el aparato para realizar un trabajo para el que no haya sido concebido.
- No forzar el aparato: trabajará mejor y con menos probabilidad de que exista riesgo de sufrir lesiones dentro de los parámetros para la que ha sido diseñado.
- No sobreextenderse: mantener siempre bien apoyados los pies y el equilibrio.
- Estar siempre atento. utilizar el sentido común. No operar el aparato si se está cansado o bajo la influencia de drogas, alcohol o medicación.
- Cuando no se utilice el aparato, se deberá almacenar en un recinto cerrado y seco fuera del alcance de los niños.
- Realizar el mantenimiento el aparato con cuidado. Seguir las instrucciones para la lubricación y el cambio de accesorios. Mantener las empuñaduras secas, limpias y libres de aceite y grasa.
- Comprobar que no haya piezas dañadas. Antes de utilizar el aparato, asegurarse de que las protecciones de seguridad estén intactas. No utilizar nunca una herramienta sin su protección de seguridad. Revisar la alineación de las piezas móviles y sus uniones.
- Comprobar que no haya piezas rotas o defectuosas que puedan afectar el funcionamiento seguro de la herramienta. Un dispositivo de protección dañado u otra pieza dañada se deberá enviar a reparar adecuadamente o sustituir a un centro de servicio autorizado a no ser que se indique lo contrario en este manual.
- Mantenga las protecciones en su sitio y en buen estado de funcionamiento.
- Mantenga las cuchillas afiladas.
- Mantenga las manos y los pies alejados de la zona de corte.
- Recargar solo con el cargador especificado por el fabricante. Un cargador adecuado para un tipo de batería puede conllevar el riesgo de provocar un incendio si se usa con otro tipo de batería.
- Utilizar los aparatos solo con las baterías designadas específicamente. El uso de cualquier otro tipo de batería puede suponer un riesgo de sufrir lesiones y de provocar un incendio.
- Si no se está usando la batería, mantenerla alejada de otros objetos metálicos, como clips, monedas, llaves, clavos, tornillos u otros objetos pequeños de metal que puedan realizar una conexión de un terminal al otro. Si se cortocircuitan los terminales de la batería, se pueden provocar quemaduras o un incendio.

- En caso de uso excesivo, es posible que algo de líquido gotee de la batería. Evitar el contacto. En caso de contacto accidental, lavar con agua. Si el líquido entra en contacto con los ojos, buscar atención médica. El líquido que sale de la batería puede causar irritación o quemaduras. (Estos consejos están destinados a los tipos de batería convencionales NiMH, NiCd, de plomo y ácido y de iones de litio. Si estos consejos no son adecuados para un tipo de batería distinta a estos, sustituirlos por los consejos adecuados.)
  - No utilizar baterías ni aparatos que estén dañados o modificados. Las baterías dañadas o modificadas pueden manifestar comportamientos impredecibles que den lugar a incendio, explosión o riesgo de lesión.
  - No exponer una batería ni un aparato al fuego o a una temperatura excesiva. La exposición al fuego o a una temperatura superior a los 266°F (130°C) puede provocar una explosión.
  - Seguir todas las instrucciones de carga y no cargar la batería ni el aparato fuera del margen de temperatura especificado en las instrucciones. Una carga inadecuada o a temperaturas fuera del margen especificado puede dañar la batería e incrementar el riesgo de incendio.
  - Encargar el servicio exclusivamente a una persona cualificada que use solo piezas de repuesto idénticas. Solo así se podrá mantener la seguridad del producto.
  - No modificar ni intentar reparar el aparato o la batería (si aplicable) de forma distinta a lo que se indique en las instrucciones de uso y conservación.
- 1.) PARA TODOS LOS APARATOS QUE FUNCIONAN CON BATERÍA:**
- No cargar el aparato bajo la lluvia ni en lugares húmedos.
  - No utilizar aparatos que funcionan con batería bajo la lluvia. Quitar o desconectar siempre la batería antes de realizar ajustes, limpiar, reparar o transportar el aparato de jardín.
- 2.) PARA TODOS LOS APARATOS QUE FUNCIONAN CON UNA BATERÍA DESMONTABLE:**
- Usar solo el siguiente tipo y tamaño de batería:  
18V 1.5Ah PXC batería Li-Ion  
18V 2.0Ah PXC batería Li-Ion  
18V 2.5Ah PXC batería Li-Ion  
18V 3.0Ah PXC batería Li-Ion  
18V 4.0Ah PXC batería Li-Ion  
18V 3.0Ah PXC Plus batería Li-Ion  
18V 4.0Ah PXC Plus batería Li-Ion  
18V 5.2Ah PXC Plus batería Li-Ion  
18V 4.0Ah/6.0Ah PXC Plus batería Li-Ion  
18V 5.0Ah/8.0Ah PXC Plus batería Li-Ion
- No tirar la batería al fuego. La célula puede explotar. Consultar la legislación local en material de eliminación de residuos.
  - No abrir ni cortar la batería. El electrolito que sale de la misma es corrosivo y puede lesionar los ojos o la piel. Puede ser tóxico si se ingiere.
  - Tener cuidado al manipular la batería para no cortocircuitarla con materiales conductivos como anillos, pulseras o llaves. La batería o el conductor se puede sobrecalentar y provocar quemaduras.
- 3.) EVITAR UN ARRANQUE INVOLUNTARIO: NO INSERTAR LA BATERÍA MIENTRAS SE TIENE EL DEDO EN EL INTERRUPTOR. ASEGURARSE DE QUE EL INTERRUPTOR ESTÉ EN OFF CUANDO SE INSERTE LA BATERÍA.**
- ADVERTENCIAS GENERALES DE SEGURIDAD PARA LA BATERÍA**
- Desechar la batería usada a tiempo y de manera adecuada. A la hora de desechar células o baterías secundarias, mantener separadas las células o baterías de distintos sistemas electromecánicos.
  - Mantener la batería fuera del alcance de los niños y en el embalaje original hasta que estén listas para su uso.
  - No meterse nunca la batería en la boca. De ingerirse, ponerse de inmediato en contacto con el centro de toxicología local.
  - CUIDADO: la batería que se utiliza en este dispositivo puede conllevar riesgo de incendio o quemadura química si se abusa de ella. Sustituir la batería exclusivamente por otra de la marca Einhell o la marca recomendada. El uso de cualquier otra batería puede conllevar riesgo de incendio o explosión.
  - ADVERTENCIA: no utilizar una batería o aparato que esté visiblemente dañado.
  - ADVERTENCIA: no modificar ni intentar reparar el aparato ni la batería.
  - **LAS BATERÍAS SE TIENEN QUE RECLAR.**
  - No cortocircuitar la célula ni la batería. No guardar las células ni baterías de manera

descuidada en una caja o en un cajón donde se puedan cortocircuitar entre sí o por materiales conductivos.

- No someter las células o baterías a choques mecánicos.
- Mantener las células y baterías limpias y secas. Si se ensucian, frotarlas con un paño limpio y seco.
- No mantener las células o baterías secundarias en carga si no se usan.
- Mantener las células y baterías originales. No utilizar un cargador que no se haya facilitado específicamente para usar con el equipo. Las células y baterías secundarias se tienen que cargar antes de su uso. Utilizar siempre el cargador correcto y consultar las instrucciones del fabricante o el manual del equipo para saber cómo cargar correctamente.
- Siempre que sea posible, quitar la batería del equipo cuando no se use.
- Evitar un arranque inesperado. Asegurarse de que el interruptor se encuentre en la posición OFF antes de conectar la batería, alzarla o transportarla. El transporte de aparatos con el dedo en el interruptor o la activación de aparatos energéticos con el interruptor en ON puede provocar accidentes.
- Desconectar la batería del aparato antes de realizar ajustes, cambiar accesorios o almacenar el aparato. Este tipo de medidas de seguridad preventivas sirve para reducir el riesgo de poner en marcha el aparato de manera involuntaria.
- En caso de uso excesivo, es posible que algo de líquido gotee de la batería. Evitar el contacto. En caso de contacto accidental, lavar con agua. Si el líquido entra en contacto con los ojos, buscar atención médica. El líquido que sale de la batería puede causar irritación o quemaduras.
- Encargar el servicio exclusivamente a una persona cualificada que use solo piezas de repuesto idénticas. Solo así se podrá mantener la seguridad del producto.
- **Proteger la batería de la humedad, la lluvia y la humedad ambiental elevada.** La humedad, la lluvia y la humedad ambiental elevada pueden provocar daños peligrosos en las celdas. No cargar ni trabajar nunca con baterías que hayan estado expuestas a la humedad, la lluvia o humedad ambiental elevada, ¡reemplazarlas de inmediato!
- Si el aparato está dotado de una batería extraíble, por motivos de seguridad será preciso extraerla una vez finalizado el trabajo.

## INSTRUCCIONES DE SEGURIDAD IMPORTANTES PARA EL CARGADOR

**ADVERTENCIA:** Este producto puede contener plomo, ftalato u otros productos químicos que según el Estado de California pueden provocar cáncer, malformaciones en el feto u otros daños reproductivos. Lavarse las manos después de utilizarlo.

### Instrucciones de seguridad adicionales

- Compruebe el material que desea cortar antes de empezar a trabajar. Retirar cualquier objeto o cuerpo extraño. Durante el trabajo, evitar cortar material inadecuado. No obstante, si se topa con algún obstáculo durante el trabajo, poner inmediatamente la máquina fuera de servicio (soltando el botón de encendido) y retirar dicho obstáculo.
- Trabaje únicamente con visibilidad suficiente.
- Sujetar siempre el aparato con las dos manos. De manera que todos los dedos rodeen la empuñadura.
- Asegurarse de que las empuñaduras estén secas y limpias.
- Al cortar el césped en una pendiente, colocarse siempre debajo de la herramienta de corte. No cortar ni recortar en una pendiente (o similar) resbaladiza.
- Al trabajar, procure mantener siempre una posición firme y segura. ¡Prestar atención al caminar hacia atrás, peligro de tropezar!
- No deje nunca sin vigilancia el aparato en el lugar de trabajo. En caso de interrumpir el trabajo, guardar el aparato en un lugar seguro.
- Desconectar el aparato antes de interrumpir su trabajo para desplazarse a otro lugar.
- No usar nunca el aparato bajo la lluvia ni en un ambiente húmedo o mojado.
- Proteja el aparato de la humedad y de la lluvia.
- Antes de poner en marcha el aparato, asegúrese de que el dispositivo de corte no esté en contacto con piedras ni otros objetos.
- Trabaje siempre con la indumentaria apropiada para así evitar lesiones en cabeza, manos o pies. Usar siempre pantalones largos y gruesos, botas, guantes y una camisa de manga larga. No llevar ropa holgada, joyas, pantalones cortos, sandalias ni estar descalzo. Atarse el cabello de manera que quede por encima del nivel de los hombros.
- Mantenga el aparato alejado del cuerpo siempre que esté funcionando.
- No encienda el aparato si este se encuentra vuelto hacia arriba o no se encuentra en posi-

ción operativa.

- Apagar el aparato y retirar la batería: Cuando no se utilice el aparato o se deje desatendido, cuando se controle, se retire o cambie la bobina y transporte el aparato de un lugar a otro.
  - Mantener el aparato fuera del alcance de otras personas, especialmente de niños, así como de animales domésticos; en el césped cortado y propulsado podrían hallarse piedras u otros objetos.
  - Mientras esté trabajando, mantenga una distancia mínima de 50 pies (15 metros) con respecto a las demás personas y animales.
  - No intentar cortar contra objetos duros. De esta forma se evitará sufrir lesiones y que el aparato se deteriore.
  - Utilice el borde del dispositivo de seguridad para mantener el aparato alejado de paredes, otros tipos de superficies y objetos frágiles.
  - Bajo ningún pretexto utilizará el aparato sin el dispositivo de seguridad.
  - Este aparato no podrá ser utilizado por niños ni personas cuyas capacidades estén limitadas física, sensorial o psíquicamente o que no dispongan de la experiencia o los conocimientos necesarios. Vigilar a los niños para asegurarse de que no jueguen con el aparato. Los niños no pueden limpiar ni realizar trabajos de mantenimiento en el aparato.
  - Evitar trabajar en una posición corporal inadecuada. Adoptar una posición segura y mantener en todo momento el equilibrio. Asegurarse de tener una posición segura si se trabaja en pendientes. Emplear la máquina únicamente caminando a velocidad normal.
  - Peligro de accidente por piezas peligrosas móviles.
  - No tocar las piezas móviles hasta que no se haya quitado la batería y se encuentren completamente paradas.
  - Leer con detenimiento las instrucciones de uso. Familiarizarse con los elementos de mando y el uso correcto del aparato.
  - No dejar nunca la máquina al alcance de niños, ni tampoco en manos de personas que no estén familiarizadas con las instrucciones de uso. La edad mínima del usuario puede estar regulada por disposiciones locales.
  - No olvidar que el usuario es el propio responsable en caso de accidentes o peligros frente a otras personas o sus pertenencias.
  - Antes de usar las herramientas es preciso realizar siempre un control visual para comprobar que los dispositivos de protección o cubiertas no falten, no estén dañados y estén bien montados.
  - No utilizar nunca el aparato cuando las condiciones meteorológicas sean desfavorables, especialmente si existe riesgo de tormenta.
  - No utilizar nunca el aparato sin cubiertas o dispositivos de protección o cuando estén dañados.
  - Encender el motor solo cuando los pies y las manos se encuentren fuera del radio de alcance del dispositivo de corte.
    - siempre que se deje el aparato sin vigilancia.
    - antes de eliminar un bloqueo.
    - antes de los trabajos de comprobación, limpieza o mantenimiento del aparato.
    - tras entrar en contacto con un cuerpo extraño.
    - siempre que el aparato empiece a vibrar de manera inusual (inspeccionar de inmediato).
  - El aparato solo se podrá volver a poner en funcionamiento una vez se haya subsanado la causa de la vibración. Si no se descubre la causa de la vibración, ponerse en contacto con el servicio de asistencia técnica.
  - Peligro de accidente por el dispositivo de corte. Mantener los pies y las manos alejados del dispositivo de corte.
  - Emplear exclusivamente piezas de repuesto y accesorios que hayan sido recomendados por el fabricante.
  - Comprobar el aparato y someterlo a mantenimiento periódicamente.
- ¡Atención! El dispositivo de seguridad es esencial para garantizar su seguridad y la seguridad de terceros, así como un funcionamiento correcto de la máquina. La no observancia de estas disposiciones conlleva la pérdida del derecho a garantía, al mismo tiempo que origina una fuente potencial de peligros.**
- No intentar detener el dispositivo de corte con las manos.
  - Esperar siempre a que se detenga por sí solo.
  - No utilizar un dispositivo de corte que no sea el original.
  - Mantener limpios los orificios para el aire.
  - No utilizar el aparato para cortar césped que no crezca en el suelo; por ejemplo, no intentar cortar césped que crezca en muros, piedras, etc. Durante los trabajos con la recortadora de césped, el usuario será el



responsable ante terceros de los daños y perjuicios ocasionados por su uso.

- No cruzar calles o caminos con el aparato encendido.
- Cuando no se utilice el aparato, es preciso mantenerlo en un lugar seco y fuera del alcance de los niños.
- Utilice el aparato únicamente como se describe en este manual de instrucciones y manténgalo en todo momento en posición vertical con respecto al suelo. Cualquier otra posición entraña riesgo.
- Comprobar periódicamente que los tornillos estén correctamente apretados.
- Las superficies a cortar han de mantenerse despejadas en lo que respecta a cables y demás objetos.
- En caso de tener que elevar el aparato, será preciso parar el motor y esperar a que la herramienta se detenga. Parar el motor antes de abandonar el aparato.
- No deben realizarse cortes sobre objetos duros para evitar posibles lesiones al usuario y deterioros del aparato.
- Para su mantenimiento utilice únicamente piezas de recambio originales.
- Antes de la puesta en marcha del aparato y después de cualquier impacto, comprobar que no presente señales de desgaste o deterioro y ponerse en contacto con el servicio de reparaciones en caso de ser necesario.
- Mantener siempre las manos y los pies alejados del dispositivo de corte, sobre todo, al conectar el motor.
- Quitar la batería: antes de limpiar la máquina o efectuar controles o trabajos en la misma, así como cuando no se utilice.
- Familiarizarse con los dispositivos de mando y regulación y el manejo adecuado del aparato.
- Dejar de utilizar la máquina cuando haya personas, especialmente niños, o animales domésticos en las inmediaciones.
- No utilizar la máquina sin dispositivos de protección o cuando estén dañados.
- No montar nunca elementos de corte metálicos. No sustituir nunca un dispositivo de corte no metálico por uno metálico.

En caso de trabajos prolongados, la persona que opere la máquina podrá sufrir trastornos circulatorios en las manos (síndrome de los dedos blancos) debido a las vibraciones.

El síndrome de Raynaud (dedos blancos) es una enfermedad vascular que consiste en la contracción repentina de los pequeños vasos sanguíneos de los dedos de los pies y de las manos. Deja de llegar la sangre suficiente a las áreas afectadas, con lo que éstas presentan una extrema palidez. El uso frecuente de aparatos vibratorios pueden causar lesiones nerviosas a aquellas personas con trastornos circulatorios (p. ej.: fumadores, diabéticos).

Si se siente algún tipo de malestar, interrumpir el trabajo y ponerse en contacto con un médico. Para reducir los peligros, tener en cuenta las siguientes indicaciones:

- Cuando haga frío, mantener el cuerpo caliente, especialmente las manos.
- Hacer regularmente pausas en el trabajo y mover las manos para estimular la circulación sanguínea.
- Intentar que la vibración de la máquina sea lo más baja posible realizando tareas de mantenimiento periódicamente y fijando bien las piezas en el aparato.

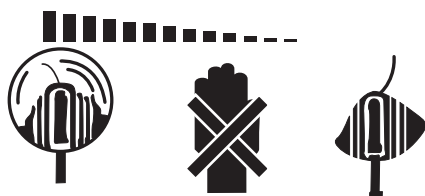
#### **Medidas de seguridad a tomar en el manejo de la cuchilla de corte**

- Seguir todos los avisos e instrucciones para el funcionamiento y para montaje de la cuchilla de corte.
- La cuchilla de corte puede salir proyectada bruscamente al entrar en contacto con objetos que no pueda cortar/desbrozar. Esto podría causar heridas en brazos o piernas. Mantener a las personas y animales a una distancia mínima de 50 pies (15 metros) en todas las direcciones de la zona donde se esté utilizando la máquina. En caso de que la máquina se tope con cuerpos extraños, parar el motor de inmediato y esperar a que la cuchilla de corte se detenga completamente. Comprobar que la cuchilla de corte no haya sufrido ningún daño. Sustituir la cuchilla de corte siempre que esté deformada o agrietada.
- La cuchilla de corte proyecta con fuerza todo tipo de objetos. Esto puede provocar ceguera o heridas. Es preciso llevar protección para ojos, cara y piernas. Antes de colocar la cuchilla de corte, retirar cualquier objeto que se encuentre en la zona de trabajo.
- Antes de cada uso, comprobar minuciosamente que el aparato y sus accesorios no estén dañados. No utilizar el aparato si no están correctamente instalados todos los accesorios de la cuchilla de corte.

- La cuchilla de corte se para lentamente al soltar el acelerador. Mientras la cuchilla se está deteniendo, puede ocasionar daños al usuario o a otras personas. Antes de efectuar cualquier trabajo en la cuchilla de corte, parar el motor y asegurarse de que la cuchilla se encuentre totalmente parada.
- Diámetro de zona de peligro: 50 pies (15 metros). Las personas en las inmediaciones pueden sufrir ceguera o daños. Mantener una distancia de 50 pies (15 metros) en todas las direcciones entre el usuario y otras personas o animales cuando se estén realizando este tipo de trabajos.

**Atención: el dispositivo de corte sigue girando por inercia tras haber apagado el aparato.**

**La herramienta sigue en marcha por inercia**



**GUARDE ESTAS INSTRUCCIONES**

## 2. Descripción del aparato y volumen de entrega

### 2.1 Descripción del aparato

1. Alojamiento para la batería
2. Interruptor ON/OFF
3. Botón de bloqueo de conexión
4. Soporte del cinturón
5. Soporte de la empuñadura adicional
6. Mango guía arriba
7. Pieza de conexión del mango
8. Tuerca retén
9. Mango guía abajo
10. Carcasa del motor
11. Carcasa de las bobinas
12. Palanca de detención
13. Cubierta de protección de hilo
14. Cuchilla de hilo
15. Cubierta de protección
16. Empuñadura adicional
17. Tornillo moleteado
18. Bobina de hilo

19. Hilos
20. Cinturón de transporte
21. Cuchilla de corte
22. Herramienta multiusos
23. Plancha
24. Cubierta de la plancha
25. Tuerca hexagonal M10 autorroscante
26. Grapa para fijación del cable
27. Soporte
28. Eje del motor
29. Anillo de plástico
30. Dispositivo de corte mediante hilo
31. Tornillos de seguridad
32. Muelle de compresión
33. Soporte de pared
34. Ranura
35. Batería (no se suministra)
36. Dispositivo de retención
37. Indicador de capacidad de batería
38. Pulsador para indicar la capacidad de batería

### 2.2 Volumen de entrega

Sirviéndose de la descripción del volumen de entrega, comprobar que el artículo esté completo. Si faltase alguna pieza, dirigirse a nuestro Service Center o a la tienda especializada más cercana en un plazo máximo de 5 días laborales tras la compra del artículo presentando un recibo de compra válido.

- Abrir el embalaje y extraer cuidadosamente el aparato.
- Retirar el material de embalaje, así como los dispositivos de seguridad del embalaje y para el transporte (si existen).
- Comprobar que el volumen de entrega esté completo.
- Comprobar que el aparato y los accesorios no presenten daños ocasionados durante el transporte.
- Si es posible, almacenar el embalaje hasta que transcurra el periodo de garantía.

### Peligro!

**¡El aparato y el material de embalaje no son un juguete! ¡No permitir que los niños jueguen con bolsas de plástico, láminas y piezas pequeñas! ¡Riesgo de ingestión y asfixia!**

- Parte superior de la recortadora con empuñadura
- Parte inferior de la recortadora con bobina de hilo
- Cubierta de protección
- Empuñadura guía
- Cinturón de transporte

- Cuchilla de corte
- Herramienta mutuosos
- Plancha
- Cubierta plancha
- Tuerca hexagonal M10
- 2x Grapas para fijación del cable
- Manual de instrucción original con instrucciones de seguridad

#### Accesorios disponibles por separado

18V 1.5Ah PXC batería Li-Ion  
 18V 2.0Ah PXC batería Li-Ion  
 18V 2.5Ah PXC batería Li-Ion  
 18V 3.0Ah PXC batería Li-Ion  
 18V 4.0Ah PXC batería Li-Ion  
 18V 3.0Ah PXC Plus batería Li-Ion  
 18V 4.0Ah PXC Plus batería Li-Ion  
 18V 5.2Ah PXC Plus batería Li-Ion  
 18V 4.0Ah/6.0Ah PXC Plus batería Li-Ion  
 18V 5.0Ah/8.0Ah PXC Plus batería Li-Ion  
 18V PXC cargador rápido de doble Puerto  
 18V PXC cargador rápido

Comuníquese con su distribuidor local para obtener modelos más específicos de baterías y cargadores disponibles en su área. Explorar las opciones de batería y cargador en einhell.com.

### 3. Uso adecuado

El aparato se utiliza como desbrozadora inalámbrica (uso de la cuchilla de corte) para cortar madera fina, hierbajos y maleza pequeña.

El aparato se utiliza como recortadora de césped inalámbrica (uso de la bobina de hilo con hilo de corte) para cortar césped y pequeños hierbajos.

El aparato no está indicado para instalaciones públicas, parques, polideportivos, calles, así como zonas agrícolas o forestales.

La observancia de las instrucciones de uso especificadas por el fabricante constituye un requisito indispensable para manejar el aparato de forma adecuada.

**¡Atención!** Para evitar que el operario sufra lesiones, el aparato no se podrá utilizar para realizar los siguientes trabajos: para limpiar aceras, evitando asimismo emplearla como trituradora para desmenuzar ramas de árbol o setos. El aparato tampoco debe utilizarse para allanar irregularidades en el suelo como, por ejemplo, los montículos de tierra hechos por los topes. Por motivos de

seguridad, el aparato no se puede utilizar como unidad motriz para otras herramientas ni juegos de herramientas de cualquier otro tipo.

Utilizar la máquina sólo en los casos que se indican explícitamente como de uso adecuado. Cualquier otro uso no será adecuado. En caso de uso inadecuado, el fabricante no se hace responsable de daños o lesiones de cualquier tipo; el responsable es el usuario u operario de la máquina.

#### ¡Cuidado!

##### Riesgos residuales

**Incluso si esta herramienta se utiliza adecuadamente, siempre existen riesgos residuales.**

**En función de la estructura y del diseño de esta herramienta eléctrica pueden producirse los siguientes riesgos:**


- Lesiones pulmonares en caso de que no se utilice una mascarilla de protección antipolvo.
- Lesiones auditivas en caso de que no se utilice una protección para los oídos adecuada.
- Daños a la salud derivados de las vibraciones de las manos y los brazos si el aparato se utiliza durante un largo periodo de tiempo, no se sujeta del modo correcto o si no se realiza un mantenimiento adecuado.
- Lesiones y daños materiales provocados por las piezas que salen disparadas.
- Cortes si no se lleva ropa de protección adecuada.

#### Peligro!

Esta herramienta eléctrica genera un campo electromagnético durante su funcionamiento. En determinadas circunstancias, este campo podrá afectar a los posibles implantes médicos activos o pasivos. Para reducir el peligro de lesiones graves o incluso mortales, recomendamos a las personas que lleven este tipo de implantes que consulten a su médico y al fabricante del implante antes de operar la máquina.

### 4. Características técnicas

Alimentación de tensión

de motor: ..... 36V  (2x 18V)  
 Velocidad en vacío RPM (min<sup>-1</sup>): ..... 0-6400  
 Anchura de corte con cuchilla: ..... 10" (25.5 cm)  
 Anchura de corte con línea: ..... 12" (30 cm)  
 Longitud de la bobina de hilo: ..... 26 pies (8 m)  
 Diámetro del hilo: ..... 0.08" (2 mm)  
 Peso (solo herramienta): ..... 13.4 lb (6.1 kg)

### ¡Reducir la emisión de ruido y las vibraciones al mínimo!

- Emplear sólo aparatos en perfecto estado.
- Realizar el mantenimiento del aparato y limpiarlo con regularidad.
- Adaptar el modo de trabajo al aparato.
- No sobrecargar el aparato.
- En caso necesario dejar que se compruebe el aparato.
- Apagar el aparato cuando no se esté utilizando.
- Llevar guantes.

## 5. Antes de la puesta en marcha

**¡Cuidado!** Realizar todos los trabajos de montaje y ajuste descritos a continuación sin la batería, ¡peligro de accidente! Llevar guantes de protección.

Inspeccionar la unidad antes de usarla. Sustituir las piezas dañadas. Comprobar que no haya fugas de combustible. Asegurarse de que todas las fijaciones estén en su lugar y seguras. Sustituir las piezas del accesorio de corte que estén agrietadas, astilladas o dañadas de cualquier forma. Asegurarse de que el accesorio de corte esté correctamente instalado y bien sujeto. Asegúrese de que la pantalla del accesorio de corte esté bien sujeta y en la posición recomendada por el fabricante. Utilizar únicamente cable flexible no metálico recomendado por el fabricante. No utilizar nunca, por ejemplo, alambre o cable que pueda romperse y convertirse en un proyectil peligroso.

### 5.1 Montaje de la cubierta de protección (fig. 3)

Retirar el tornillo de hexágono interior de la cubierta de protección. Desplazar la cubierta de protección (15) hasta el tope en el alojamiento de la carcasa del motor y fijarla bien con el tornillo de hexágono interior retirado previamente (fig. 3). En el lado interior de la cubierta de protección se encuentra una cuchilla (fig. 2/pos. 14) para la regulación automática de la longitud del hilo. Dicha cuchilla está dotada de una cubierta de protección. Antes de empezar a trabajar, retirar la cubierta de protección.

### 5.2 Montaje de la empuñadura adicional (fig. 4-8)

Soltar el tornillo moleteado (fig. 2/pos. 17) y retirar la pieza de presión (fig. 2/pos. 5). Poner la empuñadura adicional (16) en el soporte (27) de forma que el anillo de plástico (29) se coloque en la ranura (34) del soporte (27) (véase plano detallado 5).

**¡Atención!** La empuñadura adicional está mal montada si, según se puede comprobar en el plano detallado 6, el anillo de plástico (29) queda fuera de la ranura (34). Este error de montaje puede dañar la empuñadura adicional durante el funcionamiento.

Fijar la empuñadura adicional (16) con la pieza de presión (5) para lo que hay que volver a apretar el tornillo moleteado (17). Fijar según se muestra el tubo protector del cable con las dos grapas para fijación del cable (26) suministradas.

### 5.3 Montaje del mango guía (fig. 9)

Introducir el mango guía superior (6) en el mango guía inferior (9). Atornillar la pieza de conexión del mango (7) en el mango guía inferior con la tuerca retén (8) al mango guía superior.

### 5.4 Ajuste de la inclinación de la empuñadura adicional (fig. 7)

Para inclinar la empuñadura adicional de manera que resulte óptima para uno mismo, soltar el tornillo moleteado (17). Ajustar la inclinación deseada de la empuñadura adicional (16). Volver a apretar el tornillo moleteado (17).

### 5.5 Cómo retirar/montar el dispositivo de corte del hilo (fig. 10)

**Advertencia:** El aparato viene de fábrica preparado con el hilo de corte.

**Aviso:** Tener cuidado de no lesionarse con la cuchilla del hilo de corte.

#### a) Cómo retirar el dispositivo de corte del hilo

Presionar la palanca de detención (12) hacia delante y girar la mismo tiempo el dispositivo de corte del hilo (30) hacia la derecha hasta que se enclave la palanca de detención. Gire el dispositivo de corte del hilo en el sentido de las manillas del reloj partiendo del eje del motor.

#### b) Montaje del dispositivo de corte del hilo

Presionar la palanca de detención (12) hacia delante y girar la mismo tiempo el dispositivo (30) hacia la izquierda en el eje del motor hasta que se enclave la palanca de detención. Apretar manualmente el dispositivo de

corte sobre el eje del motor. Controlar si, tras soltar la palanca de detención, el dispositivo gira libremente. De no ser este el caso, dejar que un experto compruebe el mecanismo.

### 5.6 Cubierta de protección para utilizar con cuchilla de corte (fig. 11)

**¡Cuidado!** A la hora de trabajar con cuchilla de corte, es preciso quitar la cubierta del hilo de corte (13). Tener cuidado de no lesionarse con la cuchilla del hilo de corte.

Soltar los dos tornillos de seguridad (31) de la cubierta del hilo de corte.

Empezar por el lateral presionando con cuidado las lengüetas hacia el interior e ir tirando poco a poco de la cubierta del hilo de corte (13).

### 5.7 Cubierta de protección para utilizar con hilo de corte (fig. 11)

**¡Cuidado!** Para trabajar con el hilo de corte es preciso poner la cubierta del hilo de corte (13). Tener cuidado de no lesionarse con la cuchilla del hilo de corte. Empezar por el lateral y volver a presionar las lengüetas de la cubierta del hilo de corte y asegurarla con los dos tornillos (31).

### 5.8 Cómo montar/retirar la cuchilla de corte

El montaje de la cuchilla de corte puede verse en las figuras 12–14. Observar el plano detallado 15. **¡Aviso!** Asegurarse de no dañarse con la cuchilla de corte.

#### a) Montaje de la cuchilla de corte

**¡Importante!** Si, durante el desmontaje, la pieza distanciadora situada entre la cuchilla de corte y la carcasa del motor (plano detallado 15/posición 27) se ha deslizado fuera del eje del motor (28), fijarlo al eje del motor como se muestra en el plano.

1. Encajar la cuchilla de corte (21).
2. La plancha (23) se debe colocar con el borde levantado apuntando hacia la cuchilla de corte (plano detallado 15).
3. Poner la cubierta de la plancha (24).
4. Enroscar la tuerca hexagonal M10 (25).  
**¡Aviso!** Por razones de seguridad, las tuercas atornilladas solo se pueden utilizar una vez.
5. Presionar la palanca de detención (12) y bloquear el eje del motor. Apretar la tuerca hexagonal con ayuda de la herramienta multiusos (22).
6. Controlar si, tras soltar la palanca de detención, gira libremente la cuchilla (21). De no ser este el caso, dejar que un experto com-

pruebe el mecanismo.

#### b) Cómo retirar la cuchilla de corte

Presionar la palanca de detención hacia delante y bloquear el eje del motor. Desenroscar la tuerca hexagonal y retirar la cubierta de la plancha, la plancha y la cuchilla de corte.

#### Antes de cualquier puesta en marcha comprobar:

- que los dispositivos de protección y el dispositivo de corte se hallen en perfecto estado y con todas las piezas.
- que todos los tornillos estén bien apretados.
- la suavidad de marcha de todas las piezas móviles.

### 5.9 Colocación del cinturón de transporte

**¡Cuidado!** A la hora de trabajar es imprescindible llevar siempre el cinturón de transporte suministrado (fig. 2/pos. 20). Apagar siempre el aparato antes de quitarse el cinturón de transporte - ¡Peligro de accidente!

- Ponerse el cinturón de transporte (fig. 16)
- Colgar el aparato del cinturón (fig. 17)
- Ajustar la posición óptima de trabajo y de corte sirviéndose de los distintos dispositivos de ajuste del cinturón de transporte. De ser necesario, se puede desplazar el soporte del cinturón (fig. 18/pos. 4) en el mango superior. Para ello, soltar la tuerca de mariposa en el soporte del cinturón, desplazar el soporte y volver a apretar la tuerca de mariposa.
- Para determinar la longitud óptima del cinturón, realizar a continuación un par de movimientos oscilantes sin arrancar el motor (fig. 19).

El cinturón de transporte está equipado con un mecanismo de cierre rápido. Si es necesario quitarse el aparato con rapidez, tirar de la pieza roja del cinturón (fig. 20).

### 5.10 Montaje de la batería

Encajar las baterías a la izquierda y derecha en los alojamientos previstos para ello (fig. 2/pos. 1). Cuando la batería está bien introducida (fig. 1) se escucha que se enclava. Para retirar la batería, pulsar el dispositivo de retención (fig. 21/pos. 36) y extraerla.

## 6. Manejo

Respetar las disposiciones legales vigentes sobre la emisión de ruidos en el lugar de uso (pueden variar según el lugar).

**¡Peligro!** Para trabajar es preciso montar la cubierta de protección.

### 6.1 Conexión y desconexión del aparato, ajuste de la velocidad (fig. 22)

#### Conexión y ajuste de la velocidad

Presionar el botón de bloqueo de conexión (3) y al mismo tiempo el interruptor ON/OFF (2). Pulsando con mayor o menor fuerza el interruptor ON/OFF se puede regular de manera continua la velocidad durante el funcionamiento del aparato. Cuanta más fuerza mayor será la velocidad.

#### Desconexión

Soltar el interruptor ON/OFF.

### 6.2 Instrucciones relativas al trabajo

Antes de utilizar el aparato practicar todas las técnicas de trabajo con el motor apagado y sin batería. Con el hilo de corte solo se puede cortar el césped seco. Si el césped está muy alto, empezar a cortarlo por lo alto repitiendo el corte varias veces (fig. 23).

#### Cómo alargar el hilo de corte (fig. 24)

**¡Peligro!** No utilizar alambres o alambres con revestimiento de plástico de ningún tipo en la bobina de hilo. Ello podría causar graves lesiones al usuario.

La recortadora de césped dispone de un sistema prolongador de hilo parcialmente automático (régimen paso a paso). Al accionar el sistema prolongador, el hilo se alarga automáticamente de forma que siempre corta el césped con el ancho óptimo. Para alargar el hilo de corte, dejar que el motor marche y apretar la bobina de hilo contra el suelo. El hilo se alarga automáticamente. La cuchilla en la cubierta de protección corta el hilo a la longitud permitida. Tener en cuenta que una activación frecuente del sistema prolongador aumenta el desgaste del hilo.

**Aviso:** Cuando la máquina se ponga en funcionamiento por primera vez, la cuchilla de la cubierta de protección cortará el extremo remanente del hilo de corte que sobresalga. Si el hilo es demasiado corto durante la primera puesta en marcha,

pulsar el botón de la bobina de hilo y tirar con fuerza del hilo. En el primer arranque el hilo se acorta de forma automática a la longitud óptima.

Es preciso retirar periódicamente los restos de césped de la parte inferior de la cubierta de protección utilizando para ello un cepillo o similar.

#### Diferentes procesos de corte

Si el aparato ha sido montado correctamente, servirá para cortar hierbajos y hierbas o césped alto en zonas de difícil acceso, como por ejemplo: a lo largo de vallas, muros o cimientos así como alrededor de árboles. También puede usarse para „segar“, en el caso de que se quiera eliminar vegetación a ras de suelo con el fin de preparar un jardín o limpiar una zona concreta.

**Tener en cuenta:** Incluso si se procede con cuidado, el cortar junto a cimientos, muros de piedra o de cemento, provoca un desgaste mayor del hilo.

#### Recortar/segar

Usar el aparato como si se trabajara con una hoz. Mantener la bobina de hilo siempre en paralelo al suelo. Comprobar el terreno y determinar la altura de corte deseada. Guiar y mantener la bobina de hilo a la altura deseada para realizar un corte uniforme (fig. 25).

#### Recortar a baja altura

La persona que utilice el aparato debe mantenerlo ante sí mismo, ligeramente inclinado, de modo que la parte inferior de la bobina de hilo se encuentre sobre el suelo y el hilo corte a la altura deseada. Recortar apartando el aparato del propio cuerpo. No dirigir la desbrozadora hacia uno mismo.

#### Cortar en vallas/cimientos

Cuando se corte junto a alambres de malla, vallas, muros de piedra o cimientos es preciso acercarse despacio para poder cortar lo más cerca posible sin que el hilo choque con el obstáculo en cuestión. El hilo se desgasta y se deshilacha si toca piedras, muros de piedra o cimientos. Si el hilo choca contra una valla, se rompe.

#### Recortar alrededor de árboles

Al recortar alrededor de troncos, es preciso proceder despacio, para evitar que el hilo toque la corteza. Dar la vuelta al árbol cortando de izquierda a derecha. Acercarse al césped o a los hierbajos con la punta del hilo, inclinando la bobina de

hilo ligeramente hacia adelante.

**Advertencia:** Tener especial cuidado en los trabajos de segado. Mantener una distancia de 100 pies (30 m) entre el usuario y otras personas o animales cuando se estén realizando este tipo de trabajos.

#### Cortar

Segar significa cortar la vegetación hasta el suelo. Para ello, la bobina de hilo se inclina un ángulo de 30° hacia la derecha. Ajustar la empuñadura a la posición deseada. Tener en cuenta el elevado riesgo de que sufran daños tanto el operario, como terceros o incluso animales, así como el peligro de provocar daños materiales causados por los objetos que salgan disparados (p. ej., piedras) (fig. 26).

**Aviso:** ¡No utilizar el aparato para retirar objetos situados en caminos etc,...!

El aparato es potente; piedras pequeñas u otros objetos pueden salir disparados hasta 50 pies (15 m) o más, ocasionando heridas o daños en coches, casas o ventanas.

#### Serrar

El aparato no ha sido concebido para serrar.

#### Atasco

Si la cuchilla de corte se bloquea porque la vegetación es muy espesa, parar de inmediato el motor. Eliminar los restos de césped y matorrales del aparato antes de volverlo a poner en marcha.

#### Evitar contragolpes

Al trabajar con la cuchilla de corte existe el peligro de producirse contragolpes si ésta se topa con obstáculos duros (tronco, rama, piedras o similares). En este caso, el aparato saldrá despedido en dirección contraria a la herramienta. Puede perderse el control del aparato. No utilizar nunca la cuchilla de corte en las inmediaciones de vallas, postes metálicos, muros o cimientos. Para evitar contragolpes a la hora de cortar tallos gordos, colocarla según se indica en la fig. 20.

#### 6.3 Cómo cargar la batería de litio (no incluido en el volumen de entrega)

Las instrucciones correspondientes se encuentran en el manual de instrucciones original del cargador.

#### 6.4 Indicador de capacidad de batería (fig. 21/pos. 37)

Pulsar el interruptor para acceder al indicador de capacidad de la batería (38). El indicador de capacidad de batería (37) le indica el estado de carga de la batería sirviéndose de 3 LEDs.

##### Los 3 LED están iluminados:

La batería está completamente cargada.

##### 2 o 1 LED están iluminados

La batería dispone de suficiente carga residual.

##### 1 LED parpadea:

La batería está vacía, es preciso cargarla.

##### Si todos los LED parpadean:

La temperatura de la batería es demasiado baja. Quitar la batería del aparato y dejarla durante un día a temperatura ambiente. Si vuelve a aparecer el fallo, la batería se ha descargado completamente y está defectuosa. Quitar la batería del aparato. Está prohibido emplear o cargar una batería defectuosa.

## 7. Mantenimiento y limpieza

### Peligro!

Desenchufar la batería antes de realizar trabajos de limpieza.

#### 7.1 Limpieza

- Reducir al máximo posible la suciedad y el polvo en los dispositivos de seguridad, las rendijas de ventilación y la carcasa del motor. Frotar el aparato con un paño limpio o soplarlo con aire comprimido manteniendo la presión baja.
- Se recomienda limpiar el aparato tras cada uso.
- Limpiar el aparato con regularidad con un paño húmedo y un poco de jabón blando. No utilizar productos de limpieza o disolventes ya que se podrían deteriorar las piezas de plástico del aparato. Es preciso tener en cuenta que no entre agua en el interior del aparato. Si entra agua en el aparato eléctrico existirá mayor riesgo de una descarga eléctrica.
- Eliminar los residuos acumulados en la cubierta de protección con un cepillo.



### 7.2 Sustitución de la bobina de hilo

#### ¡Peligro! ¡Retirar las baterías!

1. Fig. 28 Presionar la carcasa de la bobina del hilo por los puntos marcados con una M y sacar la cubierta de la bobina.
2. Extraer la bobina de hilo vacía y el muelle de compresión.
3. Fig. 29 Introducir el extremo del hilo de la nueva bobina a través del orificio de la cubierta de la bobina y dejar que el hilo se asome unos 5.1" (13 cm). Introducir el muelle de compresión (32) en la bobina de hilo.
4. Montar la cubierta de la bobina de nuevo en la carcasa de la bobina.

### 7.3 Sustitución del hilo de corte

#### ¡Peligro! ¡Retirar las baterías!

1. Fig. 28 Presionar la carcasa de la bobina del hilo por los puntos marcados con una M y sacar la cubierta de la bobina.
2. Extraer la bobina de hilo vacía y el muelle de compresión.
3. Sacar el hilo restante que pudiera quedar.
4. Fig. 30 Introducir el nuevo hilo de corte en el portahilos dentro de la bobina.
5. Enrollar el hilo bien estirado girando hacia la izquierda.
6. Fig. 31 Enganchar aprox. 5.9" (15 cm) del extremo del hilo en uno de los portahilos en el borde de la bobina.
7. Fig. 29 Introducir el extremo del hilo de la nueva bobina por el orificio de la cubierta de la bobina. Introducir el muelle de compresión (32) en la bobina de hilo.
8. Tirar breve y enérgicamente del extremo del hilo para soltarlo del portahilos.
9. Montar la cubierta de la bobina de nuevo en la carcasa de la bobina.

El hilo de nailon se acorta automáticamente hasta alcanzar una longitud óptima con la primera puesta en marcha.

**¡Atención! ¡Los trozos de hilo de nailon que salgan proyectados pueden provocar lesiones!**

### 7.4 Lijar la cuchilla de la cubierta de protección

La cuchilla de la cubierta de protección (fig. 2/ pos. 14) se puede volver roma con el tiempo. De ser este el caso, soltar los tornillos con los que la cuchilla está sujeta a la cubierta de protección. Fijar la cuchilla en un tornillo de banco. Lijar la cuchilla con una lima plana, procurando conservar el ángulo del canto de corte. Limar en una única dirección.

### 7.5 Mantenimiento

No hay que realizar el mantenimiento a más piezas en el interior del aparato.

Bobina de hilo de recambio Art. No.: 3405097

Cuchilla de corte de recambio Art. No.: 3405084

## 8. Eliminación y reciclaje

El aparato está protegido por un embalaje para evitar daños producidos por el transporte. Este embalaje es materia prima y, por eso, se puede volver a utilizar o llevar a un punto de reciclaje. El aparato y sus accesorios están compuestos de diversos materiales, como, p. ej., metal y plástico. Los aparatos defectuosos no deben tirarse a la basura doméstica. Para su eliminación adecuada, el aparato debe entregarse a una entidad recolectora prevista para ello. En caso de no conocer ninguna, será preciso informarse en el organismo responsable del municipio.

## 9. Almacenamiento

Guardar el aparato y sus accesorios en un lugar oscuro, seco, protegido de las heladas e inaccesible para los niños. La temperatura de almacenamiento óptima se encuentra entre los 50°F y 104°F (10°C y 40°C). Guardar la herramienta eléctrica en su embalaje original.

El aparato se puede colgar a la pared por el soporte integrado (fig. 32/pos. 33).

- Llevar el aparato siempre sujetándolo con una mano de la empuñadura y con la otra de la empuñadura adicional. No llevar el aparato sujetándolo por la carcasa.
- Si se transporta en un vehículo, asegurarlo para que no se resbale.

- Para transportarlo se recomienda utilizar el embalaje original.
- Utilizar una protección para las hojas de metal durante el transporte y el almacenamiento.

Sólo está permitido copiar la documentación y documentos anexos del producto, o extractos de los mismos, con autorización expresa de Einhell Germany AG.

Nos reservamos el derecho a realizar modificaciones técnicas.



Two horizontal lines are positioned to the right of the pencil tip, serving as a starting point for writing. Below these, there are 25 additional horizontal lines, evenly spaced, creating a series of writing rows for the page.



A series of horizontal lines for writing, starting from the top right and extending down to the bottom of the page.





A series of horizontal lines for writing, starting with two lines that are slightly offset to the right from the rest of the page, followed by a continuous set of lines across the width of the page.



[www.Einhell.com](http://www.Einhell.com)

EH 12/2023 (02)