



**/// PARKSIDE®**



## PNEUMATIC CHIPPING HAMMER PDMH 4500 A2

GB

### PNEUMATIC CHIPPING HAMMER

Operation and Safety Notes  
Original operating instructions

SI

### UDARNO KLADIVO

Navodila za upravljanje in varnostna opozorila  
Originalna navodila za uporabo

SK

### PNEUMATICKÉ SEKACIE KLADIVO

Pokyny pre obsluhu a bezpečnostní pokyny  
Originálny návod na obsluhu

DE AT CH

### DRUCKLUFT-MEISSELHAMMER

Bedienungs- und Sicherheitshinweise / Originalbetriebsanleitung

HU

### SÚRÍTETT LEVEGŐS VÉSŐKALAPÁCS

Kezelési és biztonsági utalások  
Eredeti használati utasítás

CZ

### PNEU SEKACÍ KLADIVO

Pokyny pro obsluhu a bezpečnostní pokyny  
Originální návod k obsluze

PL

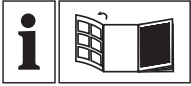
### MŁOTOWIERTARKA PNEUMATYCZNA

Wskazówki dotyczące obsługi i bezpieczeństwa  
Instrukcję oryginalną

IAN 73790

SI CZ  
SK PL





**GB**

Before reading, unfold the page containing the illustrations and familiarise yourself with all functions of the device.

**HU**

Olvasás előtt kattintson az ábrát tartalmazó oldalra és végezetül ismerje meg a készülék mindegyik funkcióját.

**SI**

Pred branjem stran s slikami odprite navzven in se nato seznanite z vsemi funkcijami naprave.

**CZ**

Před čtením si otevřete stranu s obrázky a potom se seznámte se všemi funkcemi přístroje.

**SK**

Pred čítaním si odklopte stranu s obrázkami a potom sa oboznámte so všetkými funkciami prístroja.

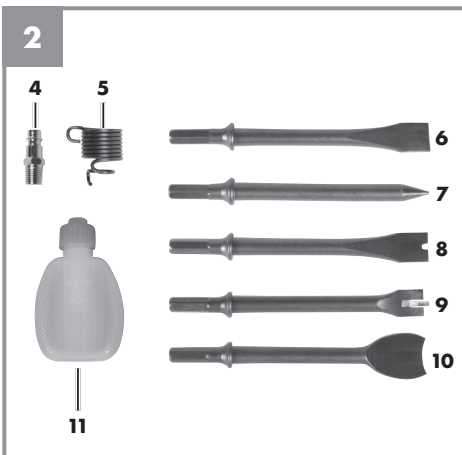
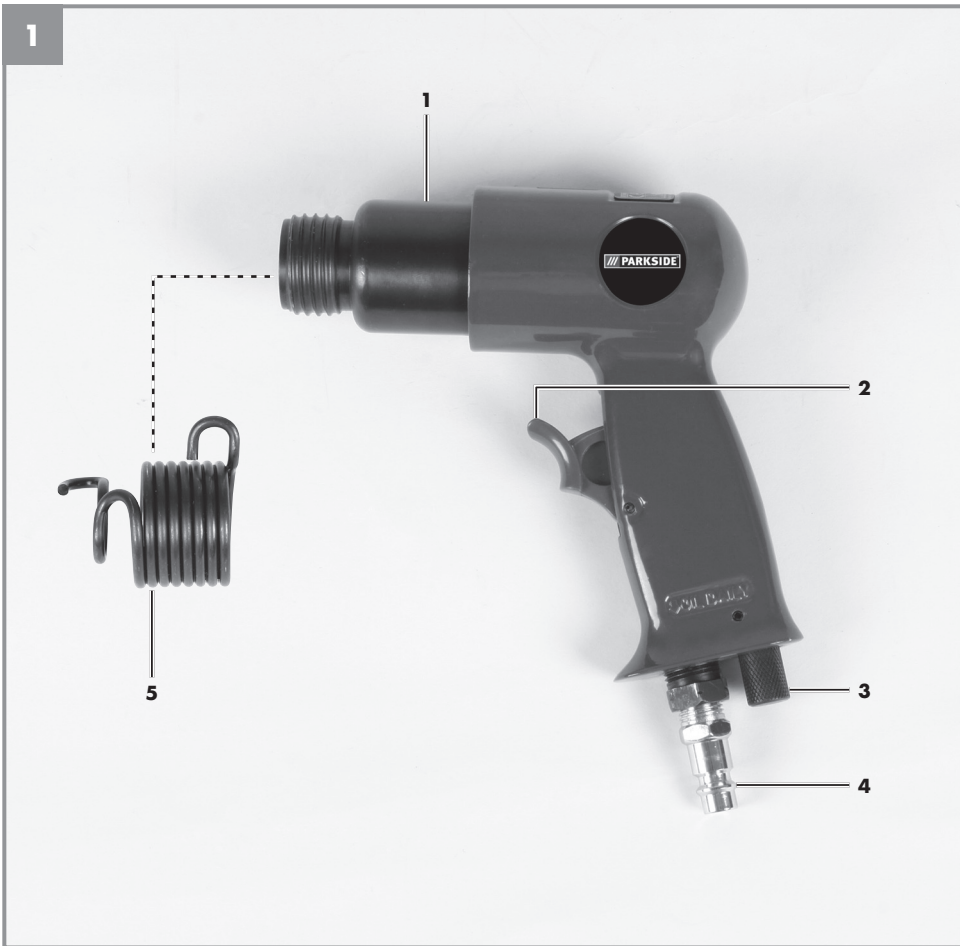
**PL**

Przed przeczytaniem proszę rozłożyć stronę z ilustracjami, a następnie proszę zapoznać się z wszystkimi funkcjami urządzenia.

**DE AT CH**

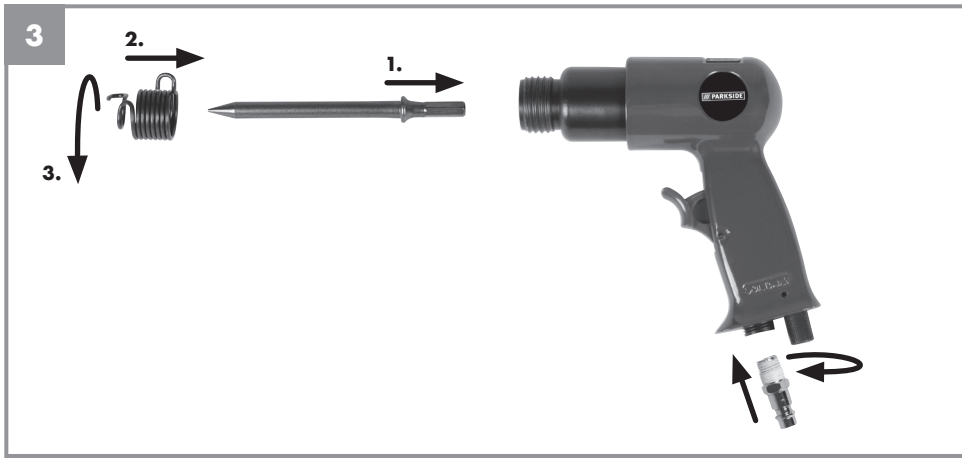
Klappen Sie vor dem Lesen die Seite mit den Abbildungen aus und machen Sie sich anschließend mit allen Funktionen des Gerätes vertraut.

GB	Operation and Safety Notes	Page	5
HU	Kezelési és biztonsági utalások	Oldal	16
SI	Navodila za upravljanje in varnostna opozorila	Stran	28
CZ	Pokyny pro obsluhu a bezpečnostní pokyny	Strana	38
SK	Pokyny pre obsluhu a bezpečnostné pokyny	Strana	48
PL	Wskazówki dotyczące obsługi i bezpieczeństwa	Strona	59
DE/AT/CH	Bedienungs- und Sicherheitshinweise	Seite	70



- 3 -







## Table of contents

1. Introduction.....	7
2. Safety regulations .....	7
3. Layout and items supplied.....	9
4. Proper use.....	10
5. Technical data.....	10
6. Before starting the equipment .....	11
7. Maintenance and care .....	11
8. Excluded from the guarantee are .....	12
9. Cleaning and ordering of spare parts.....	12
10. Storage .....	12
11. Disposal and recycling.....	13
12. Declaration of conformity.....	14
13. Warranty certificate.....	15



The reprinting or reproduction by any other means, in whole or in part, of documentation and papers accompanying products is permitted only with the express consent of the iSC GmbH.

Subject to technical changes





GB



**Caution** - Read the operating instructions to reduce the risk of injury



**Wear ear-muffs.** The impact of noise can cause damage to hearing.



**Wear safety goggles.** Sparks generated during working or splinters, chips and dust emitted by the device can cause loss of sight.



- 6 -





## 1. Introduction

Congratulations on your new purchase. You have decided in favor of a high-quality product. The operating instructions are a part of this product. They contain information of importance for your safety, for the use of the product and for its disposal. Before you use the product, acquaint yourself with all the information concerning its operation and safety. Use the product only as described and only for the listed areas of application. If you hand on the product to other people, give them all the documentation as well.

## 2. Safety regulations

### **Caution!**

#### **Read all safety regulations and instructions.**

Any errors made in following the safety regulations and instructions may result in an electric shock, fire and/or serious injury.

#### **Keep all safety regulations and instructions in a safe place for future use.**

Protect yourself and your environment from accidents by taking the appropriate precautionary measures.

### **2.1 General safety rules**

- The equipment is not allowed to be modified. Modifications will reduce the effectiveness of the safety measures and increase the risk of injury.
- Never use damaged equipment.
- Use and service the equipment as recommended in the operating instructions. This will help you to minimize dust, gas, noise and vibrations.
- Keep children away from air tools.
- Do not use the equipment in idling mode. This will prevent the chisel being catapulted out of the machine out of control.
- Use the consumables and mounted tools in the way described in the operating instructions. This will help you to minimize dust, gas, noise and vibrations.

- The equipment must be serviced in regular intervals in order to check that the rated values and markings demanded of the particular component by ISO 11148 are legible on the equipment. Employees/users must contact the manufacturer for replacement labels if they are required.

### **2.2 Hazards due to catapulted parts**

- Disconnect the compressed air coupling and depressurize the equipment before you service, repair or transport the equipment and before you change the chisel.
- Beware of fragments of the workpiece, accessory parts or the plugged-in chisel being catapulted away at high speed when carrying out chiseling work.
- Always wear impact-resistant safety goggles. The degree of protection should be assessed separately for each job.
- Wear a helmet during overhead work. Also consider the dangers which falling pieces of the workpiece can pose for other persons.
- Make sure that the workpiece is fixed securely.
- Make sure that the chisel which you are using is fastened securely.
- Use only a suitable tensioning spring (5) (supplied). Replace the tensioning spring if it is worn, broken or bent. This will help to prevent injuries.
- Hold the mounted chisel against the workpiece before you activate the equipment.
- Use only the recommended lubricant (see section 7. Maintenance and care).
- Never touch the chisel during and after working with the equipment. Fingers and hands may be injured. The chisel can become hot.

### **2.3 Dangers during operation**

- Using this equipment can cause bruises, grazes, cuts and burns. Wear gloves.
- Users and maintenance personnel must be physically capable of handling the size, weight and power of the equipment.
- Unexpected movements of the equipment or fracturing of the chisel can cause serious accidents. It is important therefore to always



stand squarely and solidly so that you can keep control of the equipment and maintain your posture even if the equipment makes unexpected movements.

- Let go of the trigger lever (2) if the air supply is interrupted.
- Wear the necessary protective clothing, in particular impact-proof safety goggles, ear muffs and safety gloves, when working with the chisel hammer.

#### 2.4 Dangers due to repetitive movements

- Working with the chisel hammer can result in disorders in the hands, arms, shoulders, neck and other parts of the body.
- When using the equipment, be sure to adopt a comfortable posture and change your posture repeatedly in order to avoid physical complaints.
- Stop using the equipment if you experience numbness, tingling, pain or whitening of the skin on your fingers or hands, and consult a doctor.

#### 2.5 Dangers due to accessories

- Important: Disconnect the equipment from the compressed air supply before you carry out any maintenance or cleaning work.
- Only use accessories and consumables of a size and type recommended by the manufacturer.
- Do not use the chisel as a hand tool. The chisels were designed specially for use with a chisel hammer.
- Use only sharp chisels. Blunt chisels need higher pressure, can break and will increase vibrations.
- Do not cool hot tools in water. This may result in damage.
- Do not use the chisel as a levering tool.
- Never touch the chisel during and after working with the equipment. Fingers and hands may be injured. The chisel can become hot.
- Do not use any defective items of equipment. Replace defective parts. This will help to prevent injuries.

#### 2.6 Dangers at the workplace

- Slipping, stumbling and falling are the main reasons for injuries at the workplace. Beware of slippery surfaces which result from using the equipment and also beware of tripping over the air hose.
- Beware of hidden dangers such as electric cables or gas and water pipes.
- This equipment is not insulated against contact with an electric cable. It is vital to avoid all contact with electric cables. The equipment is not suitable for use in explosive atmospheres.
- The equipment is not suitable for use in explosive atmospheres. Sparks may be created when you work with this equipment. It is important therefore that you never work with this equipment near combustible materials, liquids or gases.

#### 2.7 Dangers due to dust and vapors

- Depending on the material you wish to process, dusts and gases may arise that are a health hazard for the user (for example causing cancer, birth defects, asthma and / or dermatitis).
- Make sure that escaping air whirls up as little dust as possible.
- Wear a suitable protective dust mask which complies with the particular case of application and the generally applicable safety rules.

#### 2.8 Dangers due to noise

- Noise can cause permanent damage to your hearing. Unprotected exposure to high levels of noise can result in loss of hearing and other problems such as tinnitus (ringing, buzzing, whistling or droning noises in your ears). Wear ear-muffs.
- To keep noise and vibration levels as low as possible, follow the maintenance and operating instructions in the manual. For example, vibration-damping material used as an intermediate layer when working on sheet metal can also reduce noise.





## 2.9 Dangers due to vibrations

- Vibrations can injure the nerves and cause blood circulation disorders in your hands and arms.
- Wear warm clothing when you work in cold surroundings. Keep your hands warm and dry.
- Stop using the equipment if you experience numbness, tingling, pain or whitening of the skin on your fingers or hands, and consult a doctor.
- Do not hold the plug-in tool with your free hand as this will lead to a higher vibration load.
- Hold the equipment with a light but secure grip, noting the reaction forces which arise in the process. The risk of disorders caused by vibrations is always greater with a tight grip.

## 2.10 Additional safety information for pneumatic machines

- Compressed air can cause serious injuries.
- Disconnect the compressed air coupling and depressurize the equipment before you service, repair or transport the equipment and before you change the chisel.
- Never direct compressed air at yourself or at any other persons.
- Whipping hoses may cause serious injuries. You must always make sure therefore that the hoses and their fasteners are undamaged and have not become disconnected.
- When you release the quick-lock coupling, hold the hose securely in your hand and never use defective connectors. This will help to prevent injuries caused by a whipping compressed air hose.
- Do not let cold air flow over your hands.
- Do not use any quick-lock couplings at the air inlet. Use hose connections with a hardened steel thread (or a material with comparable resistance to vibrations).
- If universal rotary couplings (claw couplings) are used, lock pins must be installed and a retention system for compressed air hoses used in order to protect against possible faulty connections („hose to tool“ or „hose to hose“).

- Do not exceed the maximum permissible operating pressure.
- Do not carry compressed air tools by their hoses.

**Keep this safety information in a safe place.**

## 3. Layout and items supplied

### 3.1 Layout (Fig. 1/2)

1. Cylinder
2. Trigger lever
3. Air regulation screw
4. Nipple
5. Tensioning spring
6. Flat chisel (universal chisel)
7. Pointed chisel
8. Rivet parting chisel
9. Parting chisel (sheet-metal chisel)
10. Spot-weld parting chisel
11. Special compressed air oil

### 3.2 Items supplied

- Open the packaging and take out the equipment with care.
- Remove the packaging material and any packaging and/or transportation braces (if available).
- Check to see if all items are supplied.
- Inspect the equipment and accessories for transport damage.
- If possible, please keep the packaging until the end of the guarantee period.

### Important!

**The equipment and packaging material are not toys. Do not let children play with plastic bags, foils or small parts. There is a danger of swallowing or suffocating!**

- Air chisel hammer
- Nipple
- Tensioning spring
- Chisel set (5 chisels)
- Special compressed air oil
- Original operating instructions



## 4. Proper use

The chisel hammer is a pneumatically operated tool for versatile use. It is suitable for example for making slits, for removing tiles or plaster, for making holes through masonry, for cutting sheet metal and for removing bolts or rivets. The equipment is designed for indoors use only.

The exhaust air escapes from the housing to the front.

The equipment is to be used only for its prescribed purpose. Any other use is deemed to be a case of misuse. The user/operator and not the manufacturer will be liable for any damage or injuries of any kind caused as a result of this.

Please note that our equipment has not been designed for use in commercial, trade or industrial applications. Our warranty will be voided if the equipment is used in commercial, trade or industrial businesses or for equivalent purposes.

Only allow repairs and services to be carried out by authorized professional repair shops.

### Remember.

**Too small a diameter of the hose and too long a hose line will result in loss of power.**

## 5. Technical data

Max. permitted operating pressure: ..... 6.3 bar  
 Air consumption at  
 4.0/6.3 bar .... approx. 250/approx. 460 l/min  
 Chisel mounting (hexagon): ..... 10.2 mm  
 Stroke: ..... 44 mm  
 Blow rate: ..... 4,500 min<sup>-1</sup>  
 Recommended hose diameter: ..... Ø 10 mm  
 Weight: ..... approx. 1.05 kg

## Sound and vibration

Sound and vibration values were measured in accordance with ISO 15744 and ISO 28927-10.

$L_{pA}$  sound pressure level ..... 84 dB(A)  
 $K_{pA}$  uncertainty ..... 3 dB  
 $L_{WA}$  sound power level ..... 95 dB(A)  
 $K_{WA}$  uncertainty ..... 3 dB

### Wear ear-muffs.

The impact of noise can cause damage to hearing.

### Vibrations

Vibration emission value  $a_h = 9.5 \text{ m/s}^2$   
 $K$  uncertainty =  $1.44 \text{ m/s}^2$

### Warning!

The specified vibration value was established in accordance with a standardized testing method. It may change depending on how the equipment is used and may exceed the specified value in exceptional circumstances.

The specified vibration value can be used to compare the equipment with another tool.

The specified vibration value can be used for initial assessment of a harmful effect.

### Keep the noise emissions and vibrations to a minimum.

- Only use appliances which are in perfect working order.
- Service and clean the appliance regularly.
- Adapt your working style to suit the appliance.
- Do not overload the appliance.
- Have the appliance serviced whenever necessary.
- Switch the appliance off when it is not in use.
- Wear protective gloves.

**Residual risks**

**Even if you use the equipment in accordance with the instructions, certain residual risks cannot be eliminated. The following hazards may arise in connection with the equipment's construction and layout:**

1. Lung damage if no suitable protective dust mask is used.
2. Damage to hearing if no suitable ear protection is used.
3. Health damage caused by hand-arm vibrations if the equipment is used over a prolonged period or is not properly guided and maintained.

**Air supply:**

Via a compressed air source with pressure setting function, e.g. a compressor. Before starting up, please also read section 7 "Care and maintenance".

**Performance values of the compressor:**

The compressor used should have a tank volume of at least 50 liters and a motor rating of approx. 2.2 kW.

**Setting values for work with the suction spray gun:**

Set a maximum working pressure of 6.3 bar at your compressed air supply.

## 6. Before starting the equipment

**Fig. 3**

Screw the supplied nipple (4) into the air connection after you have wound 2-3 layers of sealing tape around the thread. Plug the required chisel into the hexagon mount of the chisel hammer. Slip the tensioning spring (5) over the chisel. Turn the tensioning spring onto the thread of the cylinder (1) as far as the stop. As you do this, hold the tensioning spring by the front arm.

Connect the chisel hammer to a compressor or compressed air network with matching power. Do this with a flexible compressed air hose

( $\varnothing$  10 mm internal) with quick-lock coupling. Make sure that the air regulation screw (3) is adjusted so that air can flow through. Move the chisel hammer towards the object you want to work on. Actuate the trigger lever (2) to start the chisel hammer.

Check the equipment and the mounted tool each time before use. This also includes checking the speed and the level of vibrations.

To change the chisel you must first disconnect the equipment from the compressed air source. Turn the tensioning spring off the cylinder of the chisel hammer by holding it by its rear arm. The chisel can now be changed as described above. The chisel shaft should be lubricated with a little normal lubricating grease from time to time.

## 7. Maintenance and care

**Important:** Disconnect the equipment from the compressed air supply before you carry out any maintenance or cleaning work.

Compliance with the maintenance instructions listed here will help this quality product provide you with a long service life and trouble-free operation. Clean the equipment thoroughly and immediately each time after it has been used.

Regular lubrication is essential for your chisel hammer to work properly for a prolonged period of time. Use only special compressed air oil as supplied. Special compressed air oil is also available from your dealer.

**Note:** Use environmentally friendly compressed air oil if you want to operate the equipment outside the workshop.



The following lubrication options are available:

### 7.1 Lubrication by mist oiler

Connect a complete conditioning unit with mist oiler between the compressed air source and the chisel hammer. A conditioning unit is available from your dealer. It is not included in the scope of this delivery.

### 7.2 Lubrication by hand

Each time before using the compressed air tool insert 3-5 drops of special compressed air oil into the compressed air connection. If the compressed air tool has not been used for several days you must insert 5-10 drops of special compressed air oil into the compressed air connection before switching on. Store your compressed air tool only in a dry room.

### 7.3 Other maintenance

There are no parts inside the equipment which require additional maintenance.

## 8. Excluded from the guarantee are

- Wear parts
- Damage caused by too much operating pressure.
- Damage caused by non-conditioned compressed air.
- Damage caused by improper use or unauthorized intervention.

## 9. Cleaning and ordering of spare parts

Important: Disconnect the equipment from the compressed air supply before you carry out any maintenance or cleaning work.

### 9.1 Cleaning

- Keep all safety devices, air vents and the motor housing free of dirt and dust as far as possible. Wipe the equipment with a clean cloth or blow it with compressed air at low pressure.
- We recommend that you clean the device immediately each time you have finished using it.
- Clean the equipment regularly with a moist cloth and some soft soap. Do not use cleaning agents or solvents; these could attack the plastic parts of the equipment. Ensure that no water can seep into the device.

### 9.2 Ordering replacement parts:

Please quote the following data when ordering replacement parts:

- Type of machine
- Article number of the machine
- Identification number of the machine

For our latest prices and information please go to [www.isc-gmbh.info](http://www.isc-gmbh.info)

## 10. Storage

Store the equipment and accessories out of children's reach in a dark and dry place at above freezing temperature. The ideal storage temperature is between 5 and 30 °C. Store the equipment in its original packaging.



## 11. Disposal and recycling

The unit is supplied in packaging to prevent its being damaged in transit. This packaging is raw material and can therefore be reused or can be returned to the raw material system.

The unit and its accessories are made of various types of material, such as metal and plastic. Defective components must be disposed of as special waste. Ask your dealer or your local council. The equipment must be disposed of in a way which does not result in any danger for persons and the environment.



## 12. Declaration of conformity

**Einhell Germany AG · Wiesenweg 22 · D-94405 Landau/Isar**



### Konformitätserklärung

**D** erklärt folgende Konformität gemäß EU-Richtlinie und Normen für Artikel  
**GB** explains the following conformity according to EU directives and norms for the following product  
**F** déclare la conformité suivante selon la directive CE et les normes concernant l'article  
**I** dichiara la seguente conformità secondo la direttiva UE e le norme per l'articolo  
**NL** verklaart de volgende overeenstemming conform EU richtlijn en normen voor het product  
**E** declara la siguiente conformidad a tenor de la directiva y normas de la UE para el artículo  
**P** declara a seguinte conformidade, de acordo com a directiva CE e normas para o artigo  
**DK** attesterer følgende overensstemmelse i medfør af EU-direktiv samt standarder for artikel  
**S** förklarar följande överensstämmelse enl. EU-direktiv och standarder för artikeln  
**FIN** vakuuttaa, että tuote täyttää EU-direktiivin ja standardien vaatimukset  
**EE** tõendab toote vastavust EL direktiivile ja standarditele  
**CZ** vydává následující prohlášení o shodě podle směrnice EU a norem pro výrobek  
**SLO** potrjuje sledečo skladnost s smernico EU in standardi za izdelek  
**SK** vydáva nasledujúce prehlásenie o zhode podľa smernice EU a noriem pre výrobok  
**H** a cikkekhez az EU-irányvonal és Normák szerint a következő konformitást jelenti ki

**PL** deklaruje zgodność wymienionego poniżej artykułu z następującymi normami na podstawie dyrektywy WE.  
**BG** декларира съответното съответствие съгласно Директива на ЕС и норми за артикул  
**LV** paskaidro šādu atbilstību ES direktīvai un standartiem  
**LT** apibūdina šį atitikimą EU reikalavimams ir prekės normoms  
**RO** declară următoarea conformitate conform directivei UE și normelor pentru articolul  
**GR** δηλώνει την ακόλουθη συμμόρφωση σύμφωνα με την Οδηγία ΕΚ και τα πρότυπα για το προϊόν  
**HR** potvrđuje sljedeću uskladenost prema smjernicama EU i normama za artikel  
**Izjava o sukladnosti za ovaj proizvod dostupna je na internet stranici www.lidl.hr.**  
**BIH** potvrđuje sljedeću uskladenost prema smjernicama EU i normama za artikel  
**RS** potvrđuje sledeću uskladenost prema smernicama EZ i normama za artikal  
**RUS** следующим удостоверяется, что следующие продукты соответствуют директивам и нормам ЕС  
**UKR** проголошує про зазначену нижче відповідність виробу директивам та стандартам ЄС на виріб  
**MK** ja izjavuva slednata soobrznost согласно EU-директивата и нормите за артикли  
**TR** Ürünü ile ilgili AB direktifleri ve normları gereğince aşağıda açıklanan uygunluğu belirtir  
**N** erklærer følgende samsvar i henhold til EU-direktivet og standarder for artikkel  
**IS** Lýsir uppfyllingu EU-reglna og annarra staðla vöru

### Druckluft-Meißelhammer PDMH 4500 A2 (Parkside)

- |   |  |
|---|--|
| <input type="checkbox"/> 87/404/EC_2009/105/EC  | <input checked="" type="checkbox"/> 2006/42/EC   |
| <input type="checkbox"/> 2005/32/EC_2009/125/EC | <input type="checkbox"/> Annex IV<br>Notified Body:<br>Notified Body No.:<br>Reg. No.:   |
| <input type="checkbox"/> 2006/95/EC             |  |
| <input type="checkbox"/> 2006/28/EC             | <input type="checkbox"/> 2000/14/EC_2005/88/EC   |
| <input type="checkbox"/> 2004/108/EC            | <input type="checkbox"/> Annex V   |
| <input type="checkbox"/> 2004/22/EC             | <input type="checkbox"/> Annex VI<br>Noise measured: L <sub>WA</sub> = dB (A); guaranteed L <sub>WA</sub> = dB (A)<br>P = KW; L/Ø = cm<br>Notified Body: |
| <input type="checkbox"/> 1999/5/EC              |  |
| <input type="checkbox"/> 97/23/EC               | <input type="checkbox"/> 2006/28/EC<br>Emission No.:   |
| <input type="checkbox"/> 90/396/EC_2009/142/EC  |  |
| <input type="checkbox"/> 89/686/EC_96/58/EC     |  |
| <input type="checkbox"/> 2011/65/EC             |  |

### Standard references: EN ISO 11148-4

Landau/Isar, den 11.01.2012

Weichselgartner/General-Manager

Yu Feng Qiang/Product-Management

**First CE: 12**  
**Art.No.:** 41.390.33 I.-No.: 11022  
**Subject to change without notice**

**Archive-File/Record:** NAPR004866  
**Documents registrar:** Siegfried Roider  
 Wiesenweg 22, D-94405 Landau/Isar



## 13. Warranty certificate

Dear Customer,

All of our products undergo strict quality checks to ensure that they reach you in perfect condition. In the unlikely event that your device develops a fault, please contact our service department at the address shown on this guarantee card. Of course, if you would prefer to call us then we are also happy to offer our assistance under the service number printed below. Please note the following terms under which guarantee claims can be made:

1. These guarantee terms cover additional guarantee rights and do not affect your statutory warranty rights. We do not charge you for this guarantee.
2. Our guarantee only covers problems caused by material or manufacturing defects, and it is restricted to the rectification of these defects or replacement of the device. Please note that our devices have not been designed for use in commercial, trade or industrial applications. Consequently, the guarantee is invalidated if the equipment is used in commercial, trade or industrial applications or for other equivalent activities. The following are also excluded from our guarantee: compensation for transport damage, damage caused by failure to comply with the installation/assembly instructions or damage caused by unprofessional installation, failure to comply with the operating instructions (e.g. connection to the wrong mains voltage or current type), misuse or inappropriate use (such as overloading of the device or use of non-approved tools or accessories), failure to comply with the maintenance and safety regulations, ingress of foreign bodies into the device (e.g. sand, stones or dust), effects of force or external influences (e.g. damage caused by the device being dropped) and normal wear resulting from proper operation of the device. This applies in particular to rechargeable batteries for which we nevertheless issue a guarantee period of 12 months. The guarantee is rendered null and void if any attempt is made to tamper with the device.
3. The guarantee is valid for a period of 3 years starting from the purchase date of the device. Guarantee claims should be submitted before the end of the guarantee period within two weeks of the defect being noticed. No guarantee claims will be accepted after the end of the guarantee period. The original guarantee period remains applicable to the device even if repairs are carried out or parts are replaced. In such cases, the work performed or parts fitted will not result in an extension of the guarantee period, and no new guarantee will become active for the work performed or parts fitted. This also applies when an on-site service is used.
4. In order to assert your guarantee claim, please send your defective device postage-free to the address shown below. Please enclose either the original or a copy of your sales receipt or another dated proof of purchase. Please keep your sales receipt in a safe place, as it is your proof of purchase. It would help us if you could describe the nature of the problem in as much detail as possible. If the defect is covered by our guarantee then your device will either be repaired immediately and returned to you, or we will send you a new device.

Of course, we are also happy offer a chargeable repair service for any defects which are not covered by the scope of this guarantee or for units which are no longer covered. To take advantage of this service, please send the device to our service address.

IAN 73790





## Tartalomjegyzék

1. Bevezetés.....	18
2. Biztonsági utasítások .....	18
3. A készülék leírása és a szállítás terjedelme .....	20
4. Rendeltetésszerűi használat .....	21
5. Technikai adatok.....	21
6. Beüzemeltetés .....	22
7. Karbantartás és ápolás .....	23
8. A szavatosság alól ki vannak zárva .....	23
9. Tisztítás és pótalkatrészmegrendelés .....	23
10. Tárolás.....	24
11. Megsemmisítés és újrahasznosítás.....	24
12. Konformkijelentés.....	25
13. Garanciaokmány .....	26

A termékek dokumentációjának és a kísérőpapírjainak az utánnyomtatása vagy egyéb sokszorosítása, kivonatosan is csak az iSC GmbH kihangsúlyozott beleegyezésével engedélyezett.

Technikai változtatások jogát fenntartva







HU



Figyelmeztetés - Sérülés veszélyének a lecsökkentéséhez olvassa el a használati utasítást



**Hordjon egy zajcsökkentő fülvédőt.** A zaj behatása hallásvesztéshez vezethet.



**Hordjon egy védőszemüveget.** Munka közben keletkező szikrák vagy a készülékből kipattanó szillánk, forgács vagy a keletkező por vakulást okozhat.



## 1. Bevezetés

Szívből gratulálunk az új készülék vásárlásához. Ezáltal egy különös mindőségű termék mellett döntött. Ennek a terméknek az alkatrészei közé tartozik a használati utasítás is. Amely fontos utasításokat tartalmaz a biztonsággal, használattal és a megsemmisítéssel kapcsolatban. A termék használata előtt ismerkedjen meg minden kezelési és biztonsági utasítással. A terméket csak a leírtak szerint és a megadott bevetési területeken használni. A termék továbbadásánál más személyeknek, kézbesítse ki vele az összes dokumentumokat.

## 2. Biztonsági utasítások

### ⚠ Figyelmeztetés!

**Olvason minden biztonsági utalást és utasítást el.** A biztonsági utalások és utasítások betartásán belüli mulasztások következménye áramcsapás, tűz és/vagy nehéz sérülések lehetnek. **Őrizze meg a biztonsági utalásokat és utasításokat a jövőre nézve.**

Megfelelő óvintézkedések használata által védje magát és a környezetét a balesetveszélyek elől.

### 2.1 Általános biztonsági szabályok

- Nem szabad megváltoztatni a készüléket. Változtatások lecsökkentik a biztonsági intézkedések hatékonyságát és növelik a sérülés rizikóját.
- Ne használjon sohasem egy sérült készüléket.
- Ahhoz hogy minimalizálja a port vagy a gázokat, zajt és vibrálásokat, a készüléket a használati utasításban ajánlottak szerint használni és karbantartani.
- Gyerekek elől biztosítani a préslégszerszámokat.
- Ne üzemeltesse a készüléket üresmenetben, azért hogy elkerülje a véső nem kontrollált elhajítását.
- Ahhoz hogy minimalizálja a port vagy a gázokat, zajt és vibrálást, a használati anyagokat és a gépszerszámot a használati utasításban leírtak szerint használni.

- A gépeket rendszeresen karban kell tartani, azért hogy leellenőrizze, hogy a szóban forgó ISO 11148 által követelt méretezési értékek és jelzések olvashatóan meg legyenek jelezve a gépen. Ha szükséges, akkor az alkalmazottnak/használónak azonnal kontaktálnia kell a gyártót, hogy kapjon póteket a megjelzéshez.

### 2.2 Veszélyeztetések a kihajított részek által

- Mielőtt karbantartaná, javítaná, szállítaná vagy egy vésőcserét végezne el, válassza le a préslégtömlőt és tegye a készüléket nyomásnélküli le.
- Vegye figyelembe, hogy a vésőnél a munkadarab töredékei nagyon gyorsan leröppelhetnek a tartozékrészekről vagy a használt a vésőről.
- Hordjon mindig egy betörésbiztos védőszemüveget. A szükséges védelem fokát minden egyes bevetés előtt külön-külön fel kell becsülni.
- Fej feletti dolgozásnál egy védősisakot hordani. Vegye ennel figyelembe a leeső munkadarabrészek általi más személyek veszélyeztetését is.
- Győződjön meg arról, hogy biztosan fixálva van a munkadarab.
- Győződjön meg arról, hogy biztosan oda van erősítve a véső.
- Csak egy passzoló feszítő rugót (5) használni (benne a szállítás terjedelmében). A sérülések elkerüléséhez, cserélje ki a feszítő rugót, ha el van kopva, el van törve vagy el van görbülve.
- Mielőtt aktiválná a készüléket, tartsa a betett vésőt a munkadarab ellen.
- Csak az ajánlott kenőszereket használni (lásd a 7. Karbantartás és ápolás –t).
- Sem a készülék üzemeltetésének az ideje alatt sem utánna ne érintse meg sohasem a vésőt. Megsérülhetnek az ujjak illetve a kezek. A véső forró lehet.



### 2.3 Veszélyeztetések az üzem ideje alatt

- A készülék használata zúzóadásokat, lehorzsolásokat, vágásokat és megégetéseket okozhat. Hordjon kesztyűket.
- A kezelőnek és a karbantartó személyzetnek fizikailag képesnek kell lennie a gép nagyságát, súlyát és teljesítményét kezelni.
- A gép váratlan mozdulatai vagy a véső törése nehéz balesetekhez vezethet. Ezért mindig egy biztos és feszes állásra ügyelni, azért hogy a készülék váratlan mozdulatainál kontrollálni és megtartani tudja a munkaállását.
- A légellátás megszakításánál engedje azonnal el az elsütőkart (2).
- A vésőkalapáccsal való dolgozásnál mindig az adott esetben szükséges védőruhát, különösen a betörésbiztos védőszemüveget, zajcsökkentő fülvédőt és védőkesztyűket hordani.

### 2.4 Veszélyeztetések a megismételt mozgások által

- A vésőkalapáccsal való dolgozás a kezek, karok, vállak, nyakszint vagy más testrészek területéni panaszokhoz vezethet.
- A készülék használatának az ideje alatt ügyeljen egy kellemes testtartásra és változtassa azokat meg, azért hogy elkerülje a panaszokat.
- Fejezze be a készülék használatát, ha zsidbadsági érzést, bizsergést, fájdalmat vagy a bőr felvilágosulását észlelné az ujjakon vagy a kezeken és kérje ki egy orvos tanácsát.

### 2.5 Veszélyeztetések a tartozékrészek által

- Figyelem: Mielőtt karbantartási és tisztítási munkálatokat végezne el, válassza le a készüléket a présleghálózatról.
- Csak a gyártó által ajánlott nagyságú és fajtájú tartozékokat és használati anyagokat használni.
- Ne használja a vésőt kézi szerszámként. Ez speciálisan egy vésőkalapáccsal együtt levő használatra lett tervezve.
- Csak éles vésőket használni, mivel tompa vésőknek nagyobb nyomásra van szükségük és eltörhetnek, azonkívül növelik a vibrálást.

- Ne hűtsön vízben forró szerszámokat. Ez sérülésekhez vezethet.
- Ne használja a vésőt emelő szerszámként.
- A készülék üzemeltetésének az ideje alatt és utána sem érintse sohasem meg a vésőt. Megsérülhetnek az ujjak illetve a kezek. A véső forró lehet.
- Ne használjon defektes készülékeket. Sérülések elkerüléséhez cserélje ki a defektes részeket.

### 2.6 Veszélyeztetések a munkahelyen

- A munkahelyi sérülések fő okai elcsuszás, megbotlás és elesés. A szerszám használata által előidézett csúszós talajra ügyelni valamint a légtömlő általi megbotlási csapdákra.
- Vigyázat a rejtett veszélyek, mint például villanyvezetékek vagy gáz- és vízvezetékek elöl.
- Ez a készülék nincs izolálva egy villanyvezetékekkel való érintkezésnél. Ökvetlenül elkerülni a villanyvezetékekkel történő bármilyen fajta érintkezést. A készülék nem alkalmas a robbanóképes légkörökben történő használatra.
- A készülék nem alkalmas a robbanóképes légkörökben történő használatra: Ezzel a készülékkel való dolgozásnál szikrák keletkezhetnek. Ezért ne dolgozzon sohasem a készülékkel gyullékony anyagok, folyadékok vagy gázok közelében.

### 2.7 Veszélyeztetések por és párák által

- A megmunkálendő anyagtól függően a porok és a gázok a kezelő személy egészségére nézve veszélyeztethetők lehetnek (mint például rák, szülési károk, asztma és / vagy dermatitisz).
- Ügyeljen arra, hogy a kiáramló levegő olyan kevés port kavarjon fel amennyit csak lehet.
- Hordjon a használati esetnek és az általánosan érvényes biztonsági szabályoknak megfelelő porvédő maszkot.

## 2.8 Veszélyeztetések zaj által

- A zaj maradandó hallási károkat okozhat. Magas zajszintnek való védtelen kitétel hallásvesztéshez és más problémákhoz, mint tinituszhoz (csöngéshez, zummolásához vagy brummogáshoz a fülben) vezethet. Hordjon egy hallásvédőt.
- Kövesse a használati utasításban leírt karbantartási és használati utasításokat, azért hogy a keletkező zajszintet és vibrációt olyan alacsonyan tartsa amennyire csak lehet. Például a pléhmegdolgozásnál egy közététkénti rezgéscsillapító anyag úgyszintén lecsökkentheti a zajt.

## 2.9 Veszélyeztetések a rezgések által

- A rezgések behatolása károkat okozhat az idegeken és vérkeringési zavarokat a kezek és a karokon.
- Ha hideg környezetben dolgozik, akkor hordjon meleg ruhát. Tartsa a kezét melegen és szárazon.
- Fejezze be a készülék használatát, ha zsibbadási érzést, bizsergést, fájdalmat vagy a bőr felvilágosulását észlelné az ujjakon vagy a kezeken és kérje ki egy orvos tanácsát.
- Ne tartsa a betéti szerszámot szabad kézzel, mivel ez egy magasabb vibrálási megterheléshez vezet.
- A készüléket egy könnyű de biztos fogással tartani, vegye enné a fellépő reakcióerőket figyelembe. A feszesebb fogásnál már alapjában véve magasabb a vibráció általi panaszok rizikója.

## 2.10 Kiegészítő biztonsági utasítások a pneumatikus gépekhez

- A prés lég komoly sérülésekhez vezethet.
- Mielőtt karbantartaná, javítaná, szállítaná vagy egy vésőcséret végezne el, válassza le a prés légtömlőt és tegye a készüléket nyomásnélkülien le.
- Ne irányítsa sohasem a kiáramló prés léget saját magára vagy más személyekre.
- Körbe csapkodó tömlők komoly sérüléseket okozhatnak. Ezért mindig leellenőrizni, hogy a tömlők és azok rögzítőszerei nincsenek megsérülve és nem lazultak meg.

- A gyorskuplung kioldásánál tartsa a tömlőt feszesen a kezében és ne használjon defektes csatlakozókat azért, hogy elkerülje a körbe csapkodó prés légtömlő általi sérüléseket.
- Ne hagyjon hideg levegőt a kezére áramlani.
- Ne használjon gyorszár-kuplungokat a légbekerestőn. Edzett acélból (vagy egy hasonló rengési ellenállással rendelkező anyagból) levő menettel rendelkező tömlőcsatlakozókat használni.
- Ha univerzális forgó-kuplungok (karomkuplungok) lesznek használva, akkor arretáló szegeket kell installálni és a prés légtömlőkhöz egy visszatartó szisztémát használni azért, hogy védelmet nyújtson az esetleges „tömlő a szerszámon” vagy „tömlő a tömlőn” levő rossz csatlakozások ellen.
- Ne lépje túl a maximálisan engedélyezett munkanyomást.
- Ne hordja a prés légszerszámokat a tömlőnél fogva.

## Őrizze jól meg ezeket a biztonsági utasításokat.

## 3.A készülék leírása és a szállítás terjedelme

### 3.1 A készülék leírása (képek 1/2)

1. Henger
2. Elsütőkar
3. Légszabályozó csavar
4. Tűző menetes csatlakozó
5. Feszítő rugó
6. Laposvéső (univerzálvéső)
7. Hegyes véső
8. Szegecsszétválasztó véső
9. Szétválasztó véső (pléhvéső)
10. Ponthegesztés szétválasztó véső
11. Speciális-prés légolaj

### 3.2 A szállítás terjedelme

- Nyissa ki a csomagolást és vegye ki óvatosan a készüléket a csomagolásból.
- Távolítsa el a csomagolási anyagot valamint a csomagolási- / és szállítási biztosítékot (ha létezik).
- Ellenőrizze le, hogy teljes a szállítás terjedelme.
- Ellenőrizze le a készüléket és a tartozékrészeket szállítási károkra.
- Ha lehetséges, akkor őrizze meg a csomagolást a garanciaidő lejáratának a végéig.

#### Figyelem!

**A készülék és a csomagolási anyag nem gyerekjáték! Nem szabad a gyerekeknek a műanyagtasakkal, foliákkal és aprórészekkel játszaniuk! Fennáll a lenyelés és a megfulladás veszélye!**

- Préslég-vésőkalapács
- Tűző mentes csatlakozó
- Feszítő rugó
- Vésőkészlet (5 véső)
- Speciális-préslégolaj
- Eredeti használati utasítás

## 4. Rendeltetészerűi használat

A vésőkalapács az egy préslégüzemeltetett szerszám sokoldalú használatra. Alkalmos például rés munkákra, csempék vagy vakolás levelesére, falazatok áttörésére, fémlemez leválasztására vagy vágására és csapszegek valamint szegecsek leverésére.

A készüléket csak belső helységekből használni.

A távozó levegő a gépkázon előre lép ki.

A gépet csak rendeltetése szerint szabad használni. Ezt túlhaladó bármilyen használat, nem számít rendeltetészerűnek. Ebből adódó bármilyen kárért vagy bármilyen fajta sérülésért a használó ill. a kezelő felelős és nem a gyártó.

Kérjük vegye figyelembe, hogy a készülékeink rendeltetésük szerint nem az ipari, kézműipari vagy gyári használatra lettek konstruálva. Nem vállalunk szavatosságot, ha a készülék ipari, kézműipari vagy gyári üzemek területén valamint egyenértékű tevékenységek területén van használva.

Javításokat és szervízt csak egy feljogosított szakműhely által elvégeztetni.

#### Vegye figyelembe!

**Túl kicsi tömlő-belsőátmérő és túl hosszú tömlővezeték a készülék teljesítményvesztéséhez vezet.**

## 5. Technikai adatok

Max. engedélyezett munkanyomás: .....6,3 bar  
 Légfogyasztás  
 4,0/6,3 bar:..... cca. 250/cca. 460 l/perc  
 Vésőbefogadó (6-lapú): ..... 10,2 mm  
 Löket:.....44 mm  
 Ütésszám: ..... 4500 perc<sup>-1</sup>  
 Ajánlott tömlőátmérő: .....Ø 10 mm  
 Súly: ..... cca. 1,05 kg

#### Zaj és vibrálás

A zaj és a vibrálási értékek az ISO 15744 és az ISO 28927-10 szerint lettek mérve.

Hangnyomásmérték  $L_{pA}$  ..... 84 dB(A)  
 Bizonytalanság  $K_{pA}$  .....3 dB  
 Hangteljesítménymérték  $L_{WA}$  ..... 95 dB(A)  
 Bizonytalanság  $K_{WA}$  .....3 dB

#### Hordjon egy zajcsökkentő fülvédőt.

A zaj befolyása hallásvesztességhez vezethet.

#### Vibrálások

Rezgésemisszióérték  $a_h = 9,5 \text{ m/s}^2$   
 Bizonytalanság  $K = 1,44 \text{ m/s}^2$

**Figyelmeztetés!**

A megadott rezgésemisszióérték egy normált ellenőrzési folyamat szerint lett mérve és a készülék használatának fajtájától és módjától függően, megváltozhat és kivételes esetekben a megadott érték felett lehet.

A megadott rezgésemisszióértéket fel lehet használni a készülékek egymással való összehasonlításhoz.

A megadott rezgésemisszióértéket a befolyásolás bevezető felbecsülésére is fel lehet használni.

**Csökkentse le a zajkibocsátást és a vibrációt egy minimumra!**

- Csak kifogástalan készülékeket használni.
- A készüléket rendszeresen karbantartani és megtisztítani.
- Illessze a munkamódját a készülékhez.
- Ne terhelje túl a készüléket.
- Hagyja adott esetben leellenőrizni a készüléket.
- Kapcsolja ki a készüléket, ha nem használja.
- Hordjon kesztyűket.

**Fennmaradt rizikók**

**Akkor is ha előírás szerint kezeli a készüléket, mégis maradnak fennmaradó rizikók. Ennek a készüléknek az építésmódjával és kivitelzésével kapcsolatban a következő veszélyek léphetnek fel:**

1. Tüdőkárok, ha nem visel megfelelő porvédőmaszkot.
2. Hallás károsodás, ha nem visel megfelelő zajcsökkentő fülvédőt.
3. Egészségi károk, amelyek a kéz-kar-rezgésekből adódnak, ha a készülék hosszabb ideig használva lesz, vagy ha nem lesz szabályszerűen vezetve és karbantartva.

**Légellátás:**

Egy prés légforráson keresztül nyomásbeállítási lehetőséggel mint például egy kompresszor. Beüzemeltetés előtt olvassa el a 7-as szakaszt is. (Karbantartás és ápolás).

**A kompresszor teljesítménynagysága:**

A használt kompresszornak legalább egy 50 literes kazán tartalommal és egy cca. 2,2 kW-os motorteljesítménnyel kell rendelkeznie.

**Beállítási értékek a munkához:**

A prés légellátáson maximálisan 6,3 bar munkanyomást beállítani.

**6. Beüzemeltetés****3-as ábra**

Miután előtte 2-3 réteg tömítő szalagot feltekert a menetre, csavarozza a vele szállított tűző mentes csatlakozót (4) a légcsatlakozásba. Dugja a kívánt vésőt a vésőkalapács hatlapú befogódójába. Dugja a feszítőrugót (5) a vésőre. Csavarja ütközésig feszesre a feszítőrugót a henger (1) menetére. Tartsa ennél a feszítőrugót az elülső tartófülnél.

Csatlakoztassa a vésőkalapácsot egy, a teljesítménynek megfelelő kompresszorra ill. prés légvezetőre. Használjon ehhez egy felxibilis prés légvezetőt (Ø 10 mm belül) gyorskuplunggal. Ügyeljen arra, hogy a légszabályozó csavar (3) úgy legyen beállítva, hogy át tudjon áramlani a levegő. Vezesse a vésőkalapácsot a megmunkálendő tárgyhoz. Az elsütőkar (2) üzemeltetése által lesz üzembe véve a vésőkalapács.

Minden használat előtt leellenőrizni a készüléket és a betéti szerszámot, ez magába érti a fordulatszám és a rezgésszint leellenőrzését is.

A véső cseréjéhez válassza le a készüléket a prés légforrásról. Csavarja le, azáltal hogy azt a hátulsó fülnél tartja, a feszítőgyűrűt a vésőkalapács hengeréről. Most ki lehet cserélni, a fent leírtak szerint a vésőt.

Időről időre enyhén be kellene zsírozni a vésőhüvelyt normális kenőzsírral.

## 7. Karbantartás és ápolás

**Figyelem:** Mielőtt karbantartási és tisztítási munkálatokat végezne el, válassza le a készüléket a préréshálózatról.

Az itt megadott karbantartási utasításoknak a betratása biztosítsa ennek a minőségi terméknek a hosszú élettartamát és zavarmentes üzemét. A készüléket alaposan és azonnal a munka után megtisztítani.

A vésőkalapács tartósan kifogástalan működésének a feltétel a rendszeres kenés. Használja ehhez a speciális-prérésgolajat, amely a szállítás terjedelmében van. Speciális-prérésgolajat a szakkereskedelmben is lehet kapni.

**Utasítás:** A környezetet nem károsító prérésgolajat használni, ha a műhelyen kívül használná a készüléket.

A kenéssel kapcsolatban a következő lehetőségek állnak Önnek választékként a részére:

### 7.1 Egy ködolajozón keresztül

Kapcsoljon a préréshálózat és a vésőkalapács közé egy komplett karbantartási egységet ködolajozóval együtt. Egy karbantartási egység a szakkereskedelmben kapható és nincs a szállítás terjedelmében.

### 7.2 kézzel

A préréshálózat-szerszám minden üzembevétele előtt 3-5 csepp speciális-prérésgolajat adni a préréshálózatlakoztatásba. Ha a préréshálózatszerszám több napig üzemben kívül lenne, akkor a bekapcsolás előtt 5-10 csepp speciális-prérésgolajat kell a préréshálózatlakoztatásba adni. A préréshálózatszerszámot csak száraz teremben tárolni.

### 7.3 Egyébb karbantartás

A készülék belsejében nem található további karbantartandó rész.

## 8.A szavatosság alól ki vannak zárva

- Gyorsan kopó részek
- A nem engedélyezett munkanyomás általi károk.
- A nem előkészített préréshálózat általi károk.
- Szakszerűtlen használat vagy idegen személyek belenyúlása által előidézett károk.

## 9.Tisztítás és pótalkatrészmegrendelés

**Figyelem:** Mielőtt karbantartási és tisztítási munkálatokat végezne el, válassza le a készüléket a préréshálózatról.

### 9.1 Tisztítás

- Tartsa a védőberendezéseket, szellőztető réseket és a gépházat annyira por- és piszokmentesen, amennyire csak lehet. Dörzsölje le a készüléket egy tiszta posztóval vagy pedig fújja ki alacsony nyomás alatt sűrített levegővel.
- Ajánljuk, hogy minden használat után azonnal kitisztítsa a készüléket.
- A készüléket rendszeresen egy nedves posztóval és egy kevés kenőszappannal megtisztítani. Ne használjon tisztító vagy oldó szereket; ezek megtámadhatják a készülék műanyagrészeit. Ügyeljen arra, hogy ne kerüljön víz a készülék belsejébe.

### 9.2 A pótalkatrész megrendelése:

Pótalkatrész megrendésénél a következő adatokat kellene megadni:

- A készülék típusát
- A készülék cikk-számát
- A készülék ident- számát

Aktuális árak és információk a [www.isc-gmbh.info](http://www.isc-gmbh.info) alatt találhatóak.



## 10. Tárolás

A készüléket és a készülék tartozékait egy sötét, száraz és fagymentes valamint gyerekek számára nem hozzáférhető helyen tárolni. Az optimális tárolási hőmérséklet 5 és 30°C között van. A készüléket az eredeti csomagolásban megőrizni.

## 11. Megsemmisítés és újrahasznosítás

A szállítási károk megakadályozására a készülék egy csomagolásban található. Ez a csomagolás nyersanyag és ezáltal ismét felhasználható vagy pedig visszavezethető a nyersanyag körforgáshoz. A készülék és annak a tartozékai különböző anyagokból állnak, mint például fémből és műanyagokból. Vigye a károsult alkatrészeket a különhulladék megsemmisítési helyhez. Érdeklődjön utána a szaküzletben vagy a községi közigazgatásnál! A megsemmisítésnek úgy kell történnie, hogy ne keletkezzenek veszélyeztetések személyek és a környezet részére.



## 12. Konformkijelentés

**Einhell Germany AG · Wiesenweg 22 · D-94405 Landau/Isar**



### Konformitätserklärung

- D** erklärt folgende Konformität gemäß EU-Richtlinie und Normen für Artikel
- GB** explains the following conformity according to EU directives and norms for the following product
- F** déclare la conformité suivante selon la directive CE et les normes concernant l'article
- I** dichiara la seguente conformità secondo la direttiva UE e le norme per l'articolo
- NL** verklaart de volgende overeenstemming conform EU richtlijn en normen voor het product
- E** declara la siguiente conformidad a tenor de la directiva y normas de la UE para el artículo
- P** declara a seguinte conformidade, de acordo com a directiva CE e normas para o artigo
- DK** attesterer følgende overensstemmelse i medfør af EU-direktiv samt standarder for artikel
- S** förklarar följande överensstämmelse enl. EU-direktiv och standarder för artikeln
- FIN** vakuuttaa, että tuote täyttää EU-direktiivin ja standardien vaatimukset
- EE** tõendab toote vastavust EL direktiivile ja standarditele
- CZ** vydává následující prohlášení o shodě podle směrnice EU a norem pro výrobek
- SLO** potrjuje sledečo skladnost s smernico EU in standardi za izdelek
- SK** vydáva nasledujúce prehlásenie o zhode podľa smernice EÚ a noriem pre výrobok
- H** a cikkekhez az EU-irányvonal és Normák szerint a következő konformitást jelenti ki
- PL** deklaruje zgodność wymienionego poniżej artykułu z następującymi normami na podstawie dyrektywy WE.
- BG** декларира съответното съответствие съгласно Директива на ЕС и норми за артикул
- LV** paskaidro šādu atbilstību ES direktīvai un standartiem
- LT** apibūdina šį atitikimą EU reikalavimams ir prekės normoms
- RO** declară următoarea conformitate conform directivei UE și normelor pentru articolul
- GR** δηλώνει την ακόλουθη συμμόρφωση σύμφωνα με την Οδηγία ΕΚ και τα πρότυπα για το προϊόν
- HR** potvrđuje sljedeću uskladenost prema smjernicama EU i normama za artikl
- IS** Izjava o sukladnosti za ovaj proizvod dostupna je na internet stranici www.lidl.hr.
- BIH** potvrđuje sljedeću uskladenost prema smjernicama EU i normama za artikl
- RS** potvrđuje sledeću uskladenost prema smernicama EZ i normama za artikal
- RUS** следующим удостоверяется, что следующие продукты соответствуют директивам и нормам ЕС
- UKR** проголошує про зазначену нижче відповідність виробу директивам та стандартам ЄС на виріб
- MK** ja izjavува следната сообразност согласно EУ-директивата и нормите за артикли
- TR** Ürünü ile ilgili AB direktifleri ve normları gereğince aşağıda açıklanan uygunluğu belirtir
- N** erklærer følgende samsvar i henhold til EU-direktiv og standarder for artikkel
- IS** Lýsir uppfyllingu EU-reglna og annarra staðla vöru

### Druckluft-Meißelhammer PDMH 4500 A2 (Parkside)

- |   |  |
|---|--|
| <input type="checkbox"/> 87/404/EC_2009/105/EC  | <input checked="" type="checkbox"/> 2006/42/EC   |
| <input type="checkbox"/> 2005/32/EC_2009/125/EC | <input type="checkbox"/> Annex IV<br>Notified Body:<br>Notified Body No.:<br>Reg. No.:   |
| <input type="checkbox"/> 2006/95/EC             |  |
| <input type="checkbox"/> 2006/28/EC             | <input type="checkbox"/> 2000/14/EC_2005/88/EC   |
| <input type="checkbox"/> 2004/108/EC            | <input type="checkbox"/> Annex V   |
| <input type="checkbox"/> 2004/22/EC             | <input type="checkbox"/> Annex VI<br>Noise measured: $L_{wa}$ = dB (A); guaranteed $L_{wa}$ = dB (A)<br>$P$ = KW; $L/\varnothing$ = cm<br>Notified Body: |
| <input type="checkbox"/> 1999/5/EC              |  |
| <input type="checkbox"/> 97/23/EC               | <input type="checkbox"/> 2006/28/EC<br>Emission No.:   |
| <input type="checkbox"/> 90/396/EC_2009/142/EC  |  |
| <input type="checkbox"/> 89/686/EC_96/58/EC     |  |
| <input type="checkbox"/> 2011/65/EC             |  |

### Standard references: EN ISO 11148-4

Landau/Isar, den 11.01.2012

Weichselgartner/General-Manager

Yu Feng Qiang/Product-Management

First CE: 12

Art.No.: 41.390.33 I.-No.: 11022

Subject to change without notice

Archive-File/Record: NAPR004866

Documents registrar: Siegfried Roider

Wiesenweg 22, D-94405 Landau/Isar

## 13. Garanciaokmány

### JÓTÁLLÁSI TÁJÉKOZTATÓ

A termék megnevezése: SŰRÍTETT LEVEGŐS VÉSŐKALAPÁCS	Gyártási szám: IAN 73790
A termék típusa: PDMH 4500 A2	A termék azonosításra alkalmas részeinek meghatározása:
A gyártó cégneve, címe és email címe: Einhell Germany AG, Wiesenweg 22, D-94405 Landau/Isar Lidl@isc-gmbh.info	A szervíz neve, címe és telefonszáma: EINHELL HUNGARY LTD. KÖZPONTI SZERVIZ - VEVŐSZOLGÁLAT 1107 BUDAPEST, MÁZSA TÉR 7/5 Tel.: 06(1) 237-0494 · Fax: 06(1) 237-0495
Az importáló és forgalmazó cégneve és címe: Lidl Magyarország Kereskedelmi Bt., H-1037 Budapest, Rádl árok 6.	

- A jótállási idő a Magyar Köztársaság területén, Lidl Magyarország Kereskedelmi Bt. üzletében történt vásárlás napjától számított 3 év.
- A jótállási igény a jótállási jeggyel érvényesíthető. A jótállási jegy szabálytalan kiállítása, vagy átadásának elmaradása nem érinti a jótállási kötelezettség-vállalás érvényességét. Kérjük, hogy a vásárlás tényének és időpontjának bizonyítására őrizze meg a pénztári fizetésnél kapott jótállási jegyet (nyugtát).
- A vásárlástól számított három napon belül érvényesített csereigény esetén a forgalmazó köteles a terméket kicserélni, feltéve ha a hiba a rendeltetésszerű használatot akadályozza.  
A jótállási jogokat a termék tulajdonosaként a fogyasztó érvényesítheti az áruházakban, valamint a jótállási tájékoztatóban feltüntetett szervizekben.

A fogyasztó jótállási kifogásáról a forgalmazó (szervíz) jegyzőkönyvet köteles felvenni, amelyben rögzíteni kell a fogyasztó nevét, címét, a fogyasztási cikk (termék) megnevezését, vételárát, a vásárlás időpontját, a hiba bejelentésének időpontját, a hiba leírását, a fogyasztó által érvényesíteni kívánt igényt, a kifogás rendezésének módját.

Amennyiben a kifogás rendezésének módja a fogyasztó igényétől eltér, ennek indokolását a jegyzőkönyvben meg kell adni. A jegyzőkönyv másolatát a fogyasztónak át kell adni. Ha a kötelezett a fogyasztó igényének teljesíthetőségéről annak bejelentésekor nem tud nyilatkozni, álláspontjáról legkésőbb három munkanapon belül köteles értesíteni a fogyasztót.

A jótállás ideje alatt a fogyasztó kérheti a termék kijavítását, kicserélését, vagy ha a termék nem javítható vagy cserélhető, árleszállítást kérhet, vagy elállhat a szerződéstől és visszakérheti a vételárát. Ha a forgalmazó, vagy szervíz a termék kijavítását megfelelő határidőre nem vállalja, vagy nem végzi el, a fogyasztó a hibát a forgalmazó költségére kijavíthatja, vagy mással kijavíttathatja. A kijavítás során a termékbe csak új alkatrész kerülhet beépítésre.

4. A fogyasztó a hiba felfedezése után a lehető legrövidebb időn belül köteles a hibát bejelenteni és a terméket a jótállási jogok érvényesítése céljából átadni. A hiba felfedezésétől számított két hónapon belül bejelentett jótállási igényt időben közöltnek kell tekinteni. A közlés elmaradásából eredő kárért a fogyasztó felelős. A jótállási igény érvényesíthetőségének határideje a termék, vagy fődarabjának kicserélése, kijavítása esetén a kicserélt, vagy kijavított termékre, illetve alkatrésze újra kezdődik.
5. A rögzített bekötésű, illetve a 10 kg-nál súlyosabb, vagy tömegközlekedési eszközön nem szállítható terméket az üzemeltetés helyén kell megjavítani. Abban az esetben, ha a javítás a helyszínen nem végezhető el, a termék ki- és visszaszereléséről, valamint szállításáról a forgalmazónak kell gondoskodnia.
6. A jótállás nem áll fenn, ha a hiba a nem rendeltetésszerű használatból, átalakításból, helytelen tárolásból, vagy a használati utasítástól eltérő kezeléssel, vagy bármely a vásárlást követő behatásból fakad, vagy elemi kár okozta, és azt a forgalmazó, vagy a szerviz bizonyítja. A jótállás nem vonatkozik a mozgó kopó alkatrészek (világítótetek, gumibroncsok stb.) rendeltetésszerű elhasználódására. A szerviz és a forgalmazó a kijavítás során nem felel a terméken a fogyasztó vagy harmadik személyek által tárolt adatokért vagy beállításokért.

A jótállás a fogyasztó törvényből eredő szavatossági jogait és azok érvényesíthetőségét nem érinti.

A jótállási igény bejelentésének és javításra átvételi időpontja:	A hiba oka:
A fogyasztó részére történő visszaadás időpontja:	A hiba javításának módja:
A szerviz bélyegzője, kelt és aláírása:	A javításra tekintettel a jótállás új határideje:

IAN 73790



## Vsebina

1. Uvod .....	18
2. Varnostni napotki .....	18
3. Opis naprave na obseg dobave .....	20
4. Predpisana namenska uporaba.....	21
5. Tehnični podatki .....	21
6. Pred prvim zagonom .....	22
7. Vzdrževanje in nega .....	22
8. Iz garancije je izključeno .....	23
9. Čiščenje in naročanje nadomestnih delov .....	23
10. Skladiščenje .....	23
11. Odstranjevanje in ponovna uporaba.....	23
12. Izjava o skladnosti .....	24
13. Garancijska listina .....	25

Ponatis ali kakršnokoli razmnoževanje dokumentacije in spremljajočih papirjev o proizvodu, tudi po izvlečkih, je dovoljeno samo z izrecnim soglasjem ISC GmbH.

Pridržana pravica do tehničnih sprememb





SI



Opozorilo! Da bi zmanjšali tveganje poškodb, preberite navodila za uporabo!



**Uporabljajte zaščito za ušesa.** Učinkovanje hrupa lahko povzroči izgubo sluha.



**Uporabljajte zaščitna očala.** Med delom nastajajoče iskre ali iz naprave izletajoči delčki, ostružki in prah lahko povzročijo izgubo vida.



## 1. Uvod

Čestitamo vam za nakup vaše nove naprave. Odločili ste se za kakovosten izdelek. Navodila za uporabo so sestavni del tega izdelka. Vsebujejo pomembne napotke o varnosti, uporabi in odstranjevanju naprave. Pred uporabo izdelka se seznanite z vsemi napotki za upravljanje in varnost. Izdelek vedno uporabljajte le v skladu z opisom in za navedene namene. Če boste izdelek izročili drugi osebi, ji predajte tudi vso dokumentacijo.

## 2. Varnostni napotki

### ⚠ Opozorilo!

**Preberite varnostne napotke in navodila.** Neupoštevanje varnostnih napotkov in navodil ima lahko za posledico električni udar, požar in/ali hude poškodbe. **Shranite vse varnostne napotke in navodila za kasnejšo uporabo.**

Zaščitite sebe in Vaše okolje s primernimi varnostnimi ukrepi pred nevarnostjo nezgod.

### 2.1 Splošna varnostna pravila

- Naprave ne smete spreminjati. Spremembe zmanjšajo učinkovitost varnostnih ukrepov in povečajo tveganje za poškodbe.
- Nikoli ne uporabljajte poškodovane naprave.
- Napravo uporabljajte le, kot je priporočeno v navodilih za uporabo, da zmanjšate nastajanje prahu ali plina ter tresljajev.
- Pnevmatika orodja zavarujte pred otroki.
- Naprave ne uporabljajte v praznem teku, da dleto ne poleti brez nadzora.
- Uporabljajte potrošni material in orodje za stroje, kot je opisano v navodilih za uporabo, da zmanjšate nastajanje prahu ali plina ter tresljajev.
- Stroj redno vzdržujte, da preverite, ali so na stroju označene izmerjene vrednosti in oznake, ki so potrebne po ustreznem delu ISO 11148. Zaposleni/uporabnik se mora obrniti na izdelovalca, da po potrebi prejme nadomestne nalepke za označitev.

### 2.2 Ogroženost zaradi letečih delov

- Ločite priključke za stisnjeni zrak in iz naprave spustite tlak, preden začnete z vzdrževanjem, popravilom, transportom ali preden zamenjate dleto.
- Upoštevajte, da lahko pri sekanju zelo hitro odletijo delci obdelovanca, delov pribora ali uporabljenega dleta.
- Vedno nosite očala, ki ščitijo pred naletom drobcov. Stopnjo potrebne zaščite ocenite za vsako posamezno uporabo posebej.
- Pri delu nosite zaščitno čelado. Upoštevajte, da so lahko zaradi padajočih delcev obdelovanca ogrožene tudi druge osebe.
- Prepričajte se, da je obdelovanec varno pritrjen.
- Prepričajte se, da je uporabljeno dleto varno pritrjeno.
- Uporabite ustrezno vpenjalno zmet (5) (v obsegu dobave). Vpenjalno zmet zamenjajte, če je obrabljena, zlomljena ali upognjena, da preprečite poškodbe.
- Uporabljeno dleto držite na obdelovancu, preden napravo aktivirate.
- Uporabite le priporočeno mazivo (gl. 7. Vzdrževanje in nega).
- Delta se nikoli ne dotikajte med obratovanjem naprave ali po njem. Poškodujete si lahko prste ali roke. Dleto se lahko segreje.

### 2.3 Ogroženost v obratu

- Uporaba naprave lahko povzroči udarnine, odrgnine, ureznine in opekline. Uporabljajte rokavice.
- Uporabnik in vzdrževalno osebje morajo biti fizično sposobni obvladovati velikost, težo in moč stroja.
- Nepričakovani premiki stroja ali zlom dleta lahko povzročijo hude nesreče. Vedno pazite na varno in dobro postavitve, da lahko stroj obvladate tudi pri nepričakovanih premikih in ohranite svoj delovni položaj.
- Če je dovajanje zraka prekinjeno, izpustite potezno ročico (2).
- Pri delu s sekalnimi dletom nosite potrebna zaščitna oblačila, zlasti očala, ki ščitijo pred naletom drobcov, glušnike in zaščitne rokavice.



## 2.4 Ogroženost zaradi ponavljajočih se gibov

- Delo s sekalnim dletom lahko povzroči težave v dlaneh, rokah, ramenih, vratu in drugih delih telesa.
- Ko napravo uporabljate, pazite na udoben položaj telesa, in ga redno menjujte, da preprečite te težave.
- Napravo prenehajte uporabljati, če čutite mrtvinčenje, mravljinčenje, bolečine ali če koža na prstih ali dlaneh osvetli, in se posvetujte z zdravnikom.

## 2.5 Ogroženost zaradi delov pribora

- Pozor: Odklopite napravo od omrežja za komprimirani zrak preden začnete izvajati vzdrževalna in čistilna dela.
- Uporabljajte le pribor in potrošni material velikosti in vrst, ki jih priporoča izdelovalec.
- Delta ne uporabljajte kot ročnega orodja. Razvito je bilo posebej za uporabo s sekalnim dletom.
- Uporabljajte le ostra dleta, saj potrebujete za topa dleta velik pritisk, zato se lahko zlomijo in povzročijo večje vibracije.
- Vročega orodja ne smete ohladiti z vodo. Ta lahko povzroči poškodbe.
- Dleta ne uporabljajte kot vzvoda.
- Delta se nikoli ne dotikajte med obratovanjem naprave ali po njem. Poškodujete si lahko prste ali roke. Dleto se lahko segreje.
- Ne uporabljajte okvarjenih naprav. Okvarjene dele zamenjajte, da preprečite poškodbe.

## 2.6 Ogroženost na delovnem mestu

- Glavni razlogi poškodb na delovnem mestu so zdrs, spotikanje ali padec. Pazite na drsljivo podlago, ki jo povzroči uporaba orodja, in na možnost spotikanja prek cevi za zrak.
- Previdno pred skritimi nevarnostmi kot so električne napeljave ali plinske in vodne napeljave.
- Ta naprava ni izolirana pri stiku z električno napeljavo. Obvezno preprečite vsak stik z električno napeljavo. Naprava ni primerna za uporabo v eksplozivnem ozračju.
- Naprava ni primerna za uporabo v eksplozivnem ozračju: pri deli s to napravo lahko

nastajajo iskre. Zato s to napravo nikoli ne delajte v bližini vnetljivih materialov, tekočin ali plinov.

- 2.7 Ogroženost zaradi prahu in hlapov
- Glede na material, ki ga obdelujete, lahko nastajajo prah in plini, ki so škodljivi za zdravje uporabnika (npr. rak, prirojene poškodbe, astma in/ali dermatitis).
- Pazite, da zrak, ki izhaja, vzvrtinči tako malo prahu, kot je mogoče.
- Nosite primerno masko za zaščito pred prahom, ki ustreza primeru uporabe in splošno veljavnim varnostnim pravilom.

## 2.8 Ogroženost zaradi hrupa

- Hrup lahko trajno poškoduje sluh. Nezaščiten izpostavljanje visokim ravnem hrupu lahko povzroči gluhost in druge težave, denimo tinitus (zvonjenje, brenčanje, piskanje ali šumenje v ušesih). Uporabljajte zaščito za ušesa.
- Da ohranjate tako nizko raven hrupa in vibracij, kot je mogoče, upoštevajte napotke za vzdrževanje in uporabo v teh navodilih. Material, ki blaži nihanja, vstavljen kot vmesna pregrada pri denimo obdelavi pločevine, lahko tudi zmanjša hrup.

## 2.9 Ogroženost zaradi nihanja

- Učinek nihanja lahko poškoduje živce in povzroči motnje krvnega pretoka v dlaneh in rokah.
- Nosite topla oblačila, če delate v hladni okolici. Roke naj bodo tople in suhe.
- Napravo prenehajte uporabljati, če čutite mrtvinčenje, mravljinčenje, bolečine ali če koža na prstih ali dlaneh osvetli, in se posvetujte z zdravnikom.
- Orodja, ki ga uporabljate, ne držite z golimi rokami, ker to poveča izpostavljenost vibracijam.
- Napravo držite z lahkim, a varnim prijemom, pri čemer zlasti upoštevajte reakcijske sile, ki se lahko pojavijo. Tveganje težav zaradi vibracij je pri čvrstem prijemu praviloma večje.

## 2.10 Dodatni varnostni napotki za pnevmatske stroje

- Stisnjeni zrak lahko povzroči resne poškodbe.
- Ločite priključke za stisnjeni zrak in iz naprave spustite tlak, preden začnete z vzdrževanjem, popravilom, transportom ali preden zamenjate dleto.
- Zračnega toka nikoli ne usmerjajte proti sebi ali drugim osebam.
- Cevi, ki tolčejo okoli sebe, lahko povzročijo hude poškodbe. Zato vedno preverite, ali so cevi in pritrdilna sredstva nepoškodovani, in ali se niso odpustili.
- Pri odpuščanju hitrih spojk cev čvrsto držite v roki in ne uporabljajte okvarjenih priključkov, da preprečite poškodbe, ki bi jih lahko povzročile cevi, ki tolčejo okoli sebe.
- Ne dovolite, da vam prek rok piha hladen zračni tok.
- Na dotoku zraka ne uporabljajte hitrih spojk. Uporabljajte cevne priključke z navojem iz kaljenega jekla (ali materiala s primerljivo odpornostjo na sunke).
- Če uporabljate univerzalne vrtljive spoje (zobata spojka), morate namestiti aretirne zatiče in uporabiti zadrževalni sistem za cevi na stisnjeni zrak, da zaščitite pred možnimi napačnimi povezavami „cev na orodje“ ali „cev na cev“.
- Ne smete prekoračiti največjega dovoljenega delovnega tlaka.
- Orodja na stisnjeni zrak ne nosite za cev.

**Ta varnostna navodila dobro shranite.**

## 3. Opis naprave na obseg dobave

### 3.1 Opis naprave (Slika 1/2)

1. Valj
2. Sprožilna ročica
3. Vijak za reguliranje zraka
4. Vtična mazalka
5. Vpenjalna zmet
6. Plosko dleto (univerzalno dleto)
7. Koničasto dleto
8. Dleto za ločevanje kovic
9. Ločevalno dleto (dleto za pločevino)
10. Dleto za ločevanje točkovnih zvarov
11. Specialno olje za stisnjeni zrak

### 3.2 Obseg dobave

- Odprite embalažo in previdno vzemite napravo iz embalaže.
- Odstranite embalažni material in embalažne in transportne varovalne priprave (če obstajajo).
- Preverite, če je obseg dobave popoln.
- Preverite morebitne poškodbe naprave in delov pribora, do katerih bi lahko prišlo med transportom.
- Po možnosti shranite embalažo do poteka garancijskega roka.

### Pozor!

**Naprava in embalažni material nista igrača za otroke! Otroci se ne smejo igrati s plastičnimi vrečkami, folijo in malimi deli opreme! Obstaja nevarnost zadušitve in zaužitja takšnih delov materiala!**

- Sekalno dleto na stisnjeni zrak
- Vtična mazalka
- Vpenjalna zmet
- Komplet dlet (5 dlet)
- Specialno olje za stisnjeni zrak
- Originalna navodila za uporabo





SI

## 4. Predpisana namenska uporaba

Sekalno dleto je orodje na stisnjeni zrak za številne uporabe. Primerno je npr. za delanje zarez, cepljenje ploščic ali ometa, preboje sten, ločevanje ali rezanje pločevine in za odbijanje zatičev ali kovic. Napravo uporabljajte le v zaprtih prostorih.

Odpadli zrak izstopa spredaj na ohišju.

Ta stroj se lahko uporablja le v skladu z njegovo namembnostjo. Vsaka drugačna uporaba ni skladna z namenom. Za vsako škodo ali poškodbo, ki pri tem nastanejo, jamči uporabnik/upravljalavec, in ne proizvajalec.

Prosimo, upoštevajte, da naše naprave niso bile zasnovane za uporabo v poklicu, obrti ali industriji. V primerih uporabe naprave v poklicu, obrti in industriji ali podobnih dejavnostih ne prevzema mo jamstva.

Popravila in servis sme opravljati le pooblaščen osebje v delavnicah.

**Upoštevajte!**  
**Premajhen notranji premer cevi in predolge cevne napeljave lahko povzročijo izgubo moči delovanja naprave.**

## 5. Tehnični podatki

Max. dopustni delovni tlak: .....6,3 barov  
Poraba zraka  
pri 4,0/6,3 bar: ..... ca. 250/ca. 460 l/min  
Poraba dleta (6-robnege): ..... 10,2 mm  
Hod: .....44 mm  
Število udarcev: .....4500 min<sup>-1</sup>  
Priporočani premer cevi: .....Ø 10 mm  
Teža: ..... ca. 1,05 kg

### Hrup in vibracije

Vrednosti hrupa in vibracij so bile ugotovljene v skladu z ISO 15744 in ISO 28927-10.

Nivo zvočnega tlaka  $L_{pA}$  ..... 84 dB (A)  
Negotovost  $K_{pA}$  .....3 dB  
Nivo zvočne moči  $L_{WA}$  ..... 95 dB (A)  
Negotovost  $K_{WA}$  .....3 dB

### Uporabljajte zaščito za ušesa.

Hrup lahko povzroči izgubo sluha.

### Vibracije

Emisijska vrednost vibracij  $a_h = 9,5 \text{ m/s}^2$   
Negotovost  $K = 1,44 \text{ m/s}^2$

### Opozorilo!

Navedena emisijska vrednost nihanja je bila ugotovljena v standardiziranem testnem postopku in se lahko spreminja glede na način uporabe orodja, v izjemnih primerih pa je lahko tudi nad navedeno vrednostjo.

Navedena emisijska vrednost nihanja se lahko uporablja za primerjavo enega orodja z drugim.

Navedena vrednost emisije tresljajev se lahko uporablja tudi za uvodno oceno škodovanja.

### Omejite hrupnost in vibracije na minimum!

- Uporabljajte samo brezhibne naprave.
- Redno vzdržujte in čistite napravo.
- Vaš način dela prilagodite napravi.
- Ne preobremenjujte naprave.
- Po potrebi dajte napravo v preverjanje.
- Izključite napravo, ko je ne uporabljate.
- Uporabljajte rokavice.

### Ostala tveganja

**Tudi če s pripomočkom ravnate v skladu s pravili, ostajajo določena tveganja. Naslednje nevarnosti se lahko pojavijo v zvezi z zgradbo in izvedbo tega pripomočka:**

1. Poškodbe pljuč, če ne uporabljate primerne protiprašne zaščitne maske.
2. Poškodbe sluha, če ne uporabljate primerne zaščite za ušesa.

- 33 -



3. Zdravstvene težave, ki so posledica tresljajev rok, če dlje časa uporabljate napravo ali, če je ne uporabljate in vzdržujete pravilno.

#### Oskrba z zrakom:

Prek vira stisnjenega zraka z možnostjo nastavitve tlaka, kot je npr. kompresor. Pred zagonom preberite poglavje 7. (Vzdrževanje in nega).

#### Zmogljivost kompresorja:

Uporabljeni kompresor mora imeti prostornino kotla vsaj 50 litrov in moč motorja vsaj ca. 2,2 kW.

#### Nastavitvene vrednosti za delo:

Na svoji oskrbi s stisnjenim zrakom nastavite največji delovni tlak 6,3 bar.

## 6. Pred prvim zagonom

### Slika 3

Dobavljeno vtično mazalko (4) privijate na priključek za zrak, pred tem pa okoli navoja ovijete 2–3 plasti tesnilnega traku. Nataknite želeno dleto na šestrobni sprejem sekalnega dleta. Vpenjalno vzmet (5) potisnite čez dleto. Vpenjalno vzmet obračajte na navoju valja (1) do omejila. Vpenjalno vzmet držite za sprednji ročaj. Priključite sekalno dleto na kompresor ali omrežje stisnjenega zraka ustrezne moči. Uporabite fleksibilni priključek stisnjenega zraka (Ø 10 mm znotraj) s hitro spojko. Pazite, da je vijak za reguliranje zraka (3) nastavljen tako, da lahko zrak prosto teče.

Sekalno dleto približajte predmetu, ki ga želite obdelati. Z aktiviranjem potezne ročice (2) začne sekalno kladivo delovati.

Pred vsako uporabo napravo in orodje, ki ga uporabljate, preverite, to vključuje tudi preverjanje števila vrtljajev in ravn nihanja.

Za menjavo dleta ločite napravo od vira stisnjenega zraka. Obračajte vpenjalno vzmet, tako da jo držite na zadnjem ročaju, proč od valja sekalnega dleta. Sedaj lahko dleto zamenjate, kot je opisano zgoraj.

Od časa do časa morate držaj dleta namazati z običajno mastjo.

## 7. Vzdrževanje in nega

**Pozor:** Odklopite napravo od omrežja za komprimirani zrak preden začnete izvajati vzdrževalna in čistilna dela.

Upoštevanje tukaj navedenih opozorilnih napotkov zagotavlja za ta kakovostni izdelek dolgo življenjsko dobo in nemoteno uporabo naprave. Napravo očistite temeljito in takoj po končanem delu.

Pogoj za trajno brezhibno delovanje sekalnega dleta je redno mazanje. Uporabljajte le specialno olje za stisnjeni zrak, ki je v obsegu dobave. Specialno olje za stisnjeni zrak dobite tudi v specializiranih trgovinah.

**Opozorilo:** Uporabljajte le okolju prijazno olje za stisnjeni zrak, če napravo uporabljate zunaj delavnice.

Pri mazanju so vam na voljo naslednje možnosti:

### 7.1 Preko oljne razpršilne mazalke

Med virom stisnjenega zraka in sekalnim dletom priklopite celo vzdrževalno enoto z oljno razpršilno mazalko. Vzdrževalna enota je na voljo v specializirani trgovini in ni v obsegu dobave.

### 7.2 Ročno

Pred vsakim zagonom orodja na stisnjeni zrak nakažite v priključek stisnjenega zraka 3–5 kapljice specialnega olja za stisnjeni zrak. Če orodja na stisnjeni zrak več dni ne uporabljate, morate pred vklopom v priključek stisnjenega zraka vkapati 5–10 kapljic specialnega olja za stisnjeni zrak. Vaše pnevmatsko orodje skladiščite samo v suhih prostorih.

### 7.3 Drugo vzdrževanje

V notranjosti naprave ni nobenih delov, ki bi jih bilo potrebno vzdrževati.



## 8. Iz garancije je izključeno

- Potrošni deli.
- Škoda zaradi nedovoljenega delovnega tlaka.
- Škoda zaradi nepripravljenega komprimiranega zraka.
- Škoda zaradi nestrokovne uporabe ali tujih posegov.

## 9. Čiščenje in naročanje nadomestnih delov

Pozor: Odklopite napravo od omrežja za komprimirani zrak preden začnete izvajati vzdrževalna in čistilna dela.

### 9.1 Čiščenje

- Zaščitno opremo, zračne reže in ohišje motorja vzdržujte kar se le da v stanju brez prisotnosti prahu in umazanije. Napravo obrišite s suho krpo ali s komprimiranim zrakom pod nizkim pritiskom.
- Priporočamo, da napravo očistite neposredno po vsakem končanem delu.
- Redno čistite napravo z vlažno krpo in nekaj milnice. Ne uporabljajte nobenih čistilnih ali razredčilnih sredstev; le-ta lahko poškodujejo plastične dele naprave. Pazite na to, da ne pride voda v notranjost naprave.

### 9.2 Naročanje nadomestnih delov

Pri naročanju nadomestnih delov je potrebno navesti naslednje navedbe:

- Tip naprave
- Art. številko naprave
- Ident- številko naprave

Aktualne cene in informacije najdete na spletni strani [www.isc-gmbh.info](http://www.isc-gmbh.info)

## 10. Skladiščenje

Napravo in pribor za napravo skladiščite na temnem, suhem in pred mrazom zaščitenem in za otroke nedostopnem mestu. Optimalna temperatura shranjevanja je med 5 in 30 °C. Napravo shranjujte v originalni ovojni.

## 11. Odstranjevanje in ponovna uporaba

Naprava se nahaja v embalaži, da ne bi prišlo do poškodb med transportom. Ta embalaža je surovina in s tem ponovno uporabna ali pa jo je možno reciklirati. Naprava in njen pribor sta izdelana iz različnih materialov kot npr. kovine in plastika. Pokvarjene sestavne dele odstranite med posebne odpadke. V ta namen povprašajte v tehnični trgovini ali na občinski upravi! Odstranitev mora potekati tako, da niso ogrožene osebe in da ni škode za okolje.

## 12. Izjava o skladnosti

**Einhell Germany AG · Wiesenweg 22 · D-94405 Landau/Isar**



### Konformitätserklärung

- D** erklärt folgende Konformität gemäß EU-Richtlinie und Normen für Artikel
- GB** explains the following conformity according to EU directives and norms for the following product
- F** déclare la conformité suivante selon la directive CE et les normes concernant l'article
- I** dichiara la seguente conformità secondo la direttiva UE e le norme per l'articolo
- NL** verklaart de volgende overeenstemming conform EU richtlijn en normen voor het product
- E** declara la siguiente conformidad a tenor de la directiva y normas de la UE para el artículo
- P** declara a seguinte conformidade, de acordo com a directiva CE e normas para o artigo
- DK** atterer følgende overensstemmelse i medfør af EU-direktiv samt standarder for artikel
- S** förklarar följande överensstämmelse enl. EU-direktiv och standarder för artikeln
- FIN** vakuuttaa, että tuote täyttää EU-direktiivin ja standardien vaatimukset
- EE** tõendab toote vastavust EL direktiivile ja standarditele
- CZ** vydává následující prohlášení o shodě podle směrnice EU a norem pro výrobek
- SLO** potrjuje sledečo skladnost s smernico EU in standardi za izdelek
- SK** vydáva nasledujúce prehlásenie o zhode podľa smernice EÚ a noriem pre výrobok
- H** a cikkekhez az EU-irányvonal és Normák szerint a következő konformitást jelenti ki
- PL** deklaruje zgodność wymienionego poniżej artykułu z następującymi normami na podstawie dyrektywy WE.
- BG** декларира съответното съответствие съгласно Директива на ЕС и норми за артикул
- LV** paskaidro šādu atbilstību ES direktīvai un standartiem
- LT** apibūdina šį atitikimą EU reikalavimams ir prekės normoms
- RO** declară următoarea conformitate conform directivei UE și normelor pentru articolul
- GR** δηλώνει την ακόλουθη συμμόρφωση σύμφωνα με την Οδηγία ΕΚ και τα πρότυπα για το προϊόν
- HR** potvrđuje sljedeću uskladenost prema smjernicama EU i normama za artikl
- Izjava o skladnosti za ovaj proizvod dostupna je na internet stranici www.lidl.hr.
- BIH** potvrđuje sljedeću uskladenost prema smjernicama EU i normama za artikl
- RS** potvrđuje sledeću uskladenost prema smernicama EZ i normama za artikal
- RUS** следующим удостоверяется, что следующие продукты соответствуют директивам и нормам ЕС
- UKR** проголошує про зазначену нижче відповідність виробу директивам та стандартам ЄС на виріб
- MK** ja izjavuva slednata soobrznost согласно EУ-директивата и нормите за артикли
- TR** Ürünü ile ilgili AB direktifleri ve normları gereğince aşağıda açıklanan uygunluğu belirtir
- N** erklærer følgende samsvar i henhold til EU-direktiv og standarder for artikkel
- IS** Lýsir uppfyllingu EU-reglna og annarra staðla vöru

### Druckluft-Meißelhammer PDMH 4500 A2 (Parkside)

- |   |  |
|---|--|
| <input type="checkbox"/> 87/404/EC_2009/105/EC  | <input checked="" type="checkbox"/> 2006/42/EC   |
| <input type="checkbox"/> 2005/32/EC_2009/125/EC | <input type="checkbox"/> Annex IV<br>Notified Body:<br>Notified Body No.:<br>Reg. No.:   |
| <input type="checkbox"/> 2006/95/EC             |  |
| <input type="checkbox"/> 2006/28/EC             | <input type="checkbox"/> 2000/14/EC_2005/88/EC   |
| <input type="checkbox"/> 2004/108/EC            | <input type="checkbox"/> Annex V   |
| <input type="checkbox"/> 2004/22/EC             | <input type="checkbox"/> Annex VI<br>Noise measured: L <sub>WA</sub> = dB (A); guaranteed L <sub>WA</sub> = dB (A)<br>P = KW; L/Ø = cm<br>Notified Body: |
| <input type="checkbox"/> 1999/5/EC              |  |
| <input type="checkbox"/> 97/23/EC               | <input type="checkbox"/> 2006/28/EC<br>Emission No.:   |
| <input type="checkbox"/> 90/396/EC_2009/142/EC  |  |
| <input type="checkbox"/> 89/686/EC_96/58/EC     |  |
| <input type="checkbox"/> 2011/65/EC             |  |

### Standard references: EN ISO 11148-4

Landau/Isar, den 11.01.2012

Weichselgartner/General-Manager

Yu Feng Qiang/Product-Management

**First CE: 12**  
**Art.No.:** 41.390.33 I.-No.: 11022  
**Subject to change without notice**

**Archive-File/Record:** NAPR004866  
**Documents registrar:** Siegfried Roider  
Wiesenweg 22, D-94405 Landau/Isar

## 13. Garancijska listina

Spoštovana stranka!

Naši proizvodi podležejo strogi kontroli kakovosti. Če ta naprava kljub temu ne bi delovala brezhibno, to zelo obžalujemo in Vas prosimo, da se obrnete na našo servisno službo na naslov, ki je naveden spodaj na tem garancijskem listu. Z veseljem smo Vam na voljo tudi telefonsko na navedeno servisno klicno številko. Za uveljavljanje garancijskih zahtevkov velja sledeče:

1. Le-ti garancijski pogoji urejajo dodatne garancijske storitve. Vaši zakonski garancijski zahtevki ostanejo s to garancijo nespremenjeni. Naše garancijske storitve so za Vas brezplačne.
2. Garancijske storitve obsegajo izključno samo pomanjkljivosti zaradi napak v materialih in izdelavi in so omejene na odpravo takšnih pomanjkljivosti oziroma na zamenjavo naprave. Prosimo, da upoštevate, da naše naprave niso konstruirane za uporabo v obrtništvu ali industriji. Garancijska pogodba zato ne pride v poštev, če se naprava uporablja v obrtništvu ali v industrijskih obratih ali v podobnih dejavnostih. Poleg tega ne obsega naša garancija nadomestil za transportne poškodbe, škodo zaradi neupoštevanja navodil za montažo ali zaradi nestrokovne inštalacije, neupoštevanja navodil za uporabo (kot n. pr. priklop na napačno omrežno napetost ali vrsto toka), pretirana ali nepravilna uporaba (kot n. pr. preobremenitev naprave ali uporaba nedovoljenih orodij ali pribora), neupoštevanje predpisov za vzdrževanje in varnostnih predpisov, vstop tujih predmetov v napravo (kot n. pr. pesek, kamenje ali prah), uporaba sile ali tuji vplivi (kot n. pr. poškodbe zaradi padca naprave) ter običajna obraba naprave zaradi uporabe. To velja še posebej za akumulatorje, za katere vendarle dajemo garancijski rok 12 mesecev. Veljavnost garancijskih zahtevkov ugasne, če so bili na npravi že izvajani posegi.
3. Garancijska doba znaša 3 leti in začne teči z dnevom nakupa naprave. Garancijske zahtevke morate uveljavljati pred potekom garancijske dobe v sveh tednih potem ko ste ugotovili napako. Uveljavljanje garancijskih zahtevkov po poteku garancijske dobe je izključeno. Popravilo ali zamenjava naprave ne privede do podaljšanja garancijske dobe, niti se ne postavi nova garancijska doba zaradi takšnih storitev ali zaradi eventualno vgrajenih nadomestnih delov. To velja tudi za servisne storitve na licu mesta.
4. Za uveljavljanje Vašega garancijskega zahtevka nam pošljite pokvarjeno napravo brez poštnine na spodaj navedeni naslov. Priložite original računa ob nakupu ali drugo potrdilo kot dokazilo o nakupu z datumom nakupa. Zato prosimo, da dobro shranite račun kot dokazilo o nakupu! Prosimo, da nam po možnosti natančno opišete vzroke reklamacije. Če napaka izpolnjuje naše garancijske pogoje, boste nemudoma dobili nazaj popravljeno ali novo napravo.

Seveda bomo proti plačilu stroškov odpravili tudi napake na napravi, katere ne spadajo v obseg garancije ali jih garancija več ne zajema. V takšnem primeru prosimo, da pošljete napravo na naslov naše servisne službe.

### MEDIA-IMPEKS D.O.O.

Kicar 11 g  
SI-2250 Ptuj  
Tel.: +386 599 63 540 · Fax: +386 2 796 09 21  
isc@siol.net

IAN 73790



## Obsah

1. Úvod .....	40
2. Bezpečnostní pokyny.....	40
3. Popis přístroje a rozsah dodávky .....	42
4. Použití podle účelu určení .....	43
5. Technická data .....	43
6. Před uvedením do provozu .....	44
7. Údržba a péče .....	44
8. Ze záruky jsou vyloučeny.....	45
9. Čištění a objednání náhradních dílů .....	45
10. Skladování.....	45
11. Likvidace a recyklace .....	45
12. Prohlášení o shodě.....	46
13. Záruční list .....	47

Patisk nebo jiné rozmnožování dokumentace a průvodních listin, také ve výtazcích, je přípustný pouze s výslovným souhlasem firmy iSC GmbH.

Technické změny vyhrazeny



CZ



Varování - Ke snížení rizika zranění si přečíst návod k obsluze



**Noste ochranu sluchu.** Působení hluku může způsobit ztrátu sluchu.



**Noste ochranné brýle.** Jiskry vznikající při práci nebo odštěpky dřeva, třísky a prachy vystupující z přístroje mohou způsobit ztrátu viditelnosti.



## 1. Úvod

Srdečně Vám blahopřejeme ke koupi Vašeho nového přístroje.

Rozhodli jste se tak pro vysoce kvalitní výrobek.

Návod k obsluze je součástí tohoto výrobku.

Obsahuje důležité informace pro bezpečnost, používání a likvidaci. Před použitím výrobku se seznamte se všemi pokyny k obsluze a bezpečnostními pokyny. Používejte přístroj pouze podle popisu a v uvedených oblastech použití. Při odevzdání výrobku předajte všechny podklady třetím osobám.

## 2. Bezpečnostní pokyny

### ⚠ Varování!

**Přečtěte si všechny bezpečnostní pokyny a instrukce.** Zanedbání při dodržování bezpečnostních pokynů a instrukcí mohou mít za následek úder elektrickým proudem, požár a/ nebo těžká zranění. **Všechny bezpečnostní pokyny a instrukce si uložte pro budoucí použití.**

Chraňte sebe a své okolí vhodnými bezpečnostními opatřeními před nebezpečím úrazu.

### 2.1 Všeobecná bezpečnostní pravidla

- Přístroj nesmí být pozměňován. Změny snižují účinnost bezpečnostních opatření a zvyšují riziko zranění.
- Nikdy nepoužívejte poškozený přístroj
- Používejte a udržujte přístroj tak, jak je doporučeno v návodu k obsluze, abyste minimalizovali tvorbu prachu nebo plynů, hluku a vibrací.
- Pneumatická nářadí zabezpečit před dětmi.
- Přístroj nepoužívejte v chodu naprázdno, abyste zabránili nekontrolovanému odmrštění sekáče.
- Používejte spotřební materiál a nástroje tak, jak je popsáno v návodu k obsluze, abyste minimalizovali tvorbu prachu nebo plynů, hluku a vibrací.
- Stroje je třeba pravidelně udržovat, abyste

mohli zkontrolovat, že jsou na příslušném dílu stroje čitelně vyznačeny jmenovité hodnoty a označení požadované podle normy ISO 11148. Pracovník/uživatel musí kontaktovat výrobce, aby v případě potřeby objednal náhradní etikety k označení.

### 2.2 Nebezpečí způsobené vymrštěnými díly

- Než budete provádět údržbu, opravy, transport nebo výměnu sekáče, odpojte pneumatickou přípojku a zbavte přístroj tlaku.
- Dbejte na to, že při sekání mohou velmi rychle odlétávat úlomky obrobku, dílů příslušenství nebo používaného sekáče.
- Noste vždy nárazuvzdorné ochranné brýle. Stupeň požadované ochrany by se měl vyhodnotit odděleně pro každý druh použití.
- Během práce nad hlavou noste ochrannou přilbu. Dbejte přitom na ohrožení jiných osob padajícími částmi obrobků.
- Přesvědčte se, že je obrobek bezpečně upevněn.
- Přesvědčte se, že je používáný sekáč bezpečně upevněn.
- Používejte pouze vhodnou upínací pružinu (5) (obsažena v rozsahu dodávky). Upínací pružinu vyměňte, pokud je použitá, zlomená nebo ohnutá, abyste zabránili případným zraněním.
- Než přístroj zapnete, přitlačte používaný sekáč na obrobek.
- Používejte pouze doporučená maziva (viz 7. Údržba a péče).
- Během a po používání přístroje se nikdy nedotýkejte sekáče. Prsty resp. ruce mohou být zraněny. Sekáč může být horký.

### 2.3 Nebezpečí během provozu

- Používání přístroje může způsobit pohmoždění, odřeniny, řezná zranění a popáleniny. Noste rukavice.
- Obsluhující osoby a údržbový personál musí být fyzicky schopní zvládnout velikost, hmotnost a výkon stroje.
- Neočekávané pohyby přístroje nebo zlomení sekáče mohou vést k těžkým úrazům. Dbejte proto vždy na bezpečný a pevný



postoj, abyste mohli přístroj kontrolovat i při neočekávaných pohybech a mohli udržovat Vaši pracovní polohu.

- Při přerušení přívodu vzduchu pusťte spouštěcí páčku (2).
- Noste při práci se sekacím kladivem příslušný potřebný ochranný oděv, především nárazu-vzdorné ochranné brýle, ochranu sluchu a ochranné rukavice.

#### 2.4 Nebezpečí způsobená opakovanými pohyby

- Práce se sekacím kladivem může vést ke zdravotním potížím na ruku, pažích, ramenou, šíji nebo jiných částech těla.
- Během používání přístroje dbejte na pohodlné držení těla a střídějte ho, abyste předešli potížím.
- Ukončete používání přístroje, když máte pocit ztráty citlivosti, brnění, bolesti nebo zblednutí pokožky na prstech nebo rukách a konzultujte lékaře.

#### 2.5 Nebezpečí způsobená příslušenstvím

- Pozor: Než začnete provádět údržbové a čisticí práce, odpojte přístroj od sítě stlačeného vzduchu.
- Používejte pouze velikosti a druhy příslušenství a spotřebního materiálu, které jsou doporučeny výrobcem.
- Nepoužívejte sekáče jako ruční nářadí. Byly navrženy speciálně pro použití spolu se sekacím kladivem.
- Používejte pouze ostré sekáče, protože tupé sekáče potřebují vyšší tlak a mohou se zlomit a také zvyšují vibrace.
- Nechladte horké nástroje ve vodě. To může vést k poškozením.
- Nepoužívejte sekáče jako nářadí na páčení.
- Během a po používání přístroje se nikdy nedotýkejte sekáče. Prsty resp. ruce mohou být zraněny. Sekáč může být horký.
- Nepoužívejte defektní přístroje. Vyměňte defektní díly, abyste zabránili zraněním.

#### 2.6 Nebezpečí na pracovišti

- Uklouznutí, zakopnutí a pády jsou hlavní příčiny zranění na pracovišti. Dbejte na tvorbu kluzkého podkladu, který může být způsoben použitím nářadí, a na nebezpečí zakopnutí o vzduchovou hadici.
- Dávejte pozor na skrytá nebezpečí jako elektrická nebo plynová a vodovodní vedení.
- Tento přístroj není při kontaktu s elektrickým vedením izolován. Bezpodmínečně zabraňte jakémukoliv kontaktu s elektrickými vedeními. Přístroj není vhodný k používání ve výbušné atmosféře.
- Přístroj není vhodný k používání ve výbušné atmosféře: Při práci s tímto přístrojem mohou vznikat jiskry. Nepracujte proto s tímto přístrojem nikdy v blízkosti hořlavých materiálů, tekutin nebo plynů.

#### 2.7 Nebezpečí způsobená prachem a výpary

- V závislosti na zpracovávaném materiálu mohou být vznikající prach a plyny zdraví škodlivé pro obsluhující osobu (např. rakovina, vrozené poruchy, astma a / nebo dermatitida).
- Dbejte na to, aby vycházející vzduch rozvířil co možná nejméně prachu.
- Noste vhodnou ochrannou masku proti prachu, která odpovídá danému případu použití a všeobecně platným bezpečnostním pravidlům.

#### 2.8 Nebezpečí způsobená hlukem

- Hluk může způsobit trvalé poškození sluchu. Nechráněné vystavení vysokým hladinám hluku může vést ke ztrátě sluchu a jiným problémům, jako tinitus (zvonění, bzučení, pískání nebo hučení v uších). Noste ochranu sluchu.
- Abyste mohli udržet vznikající hluk a vibrace co možná nejnižší, dodržujte pokyny k údržbě a použití uvedené v tomto návodu. Materiál tlumící vibrace použitý jako vložka například při zpracovávání plechu může také snížit hluk.

## 2.9 Nebezpečí způsobená vibracemi

- Působení vibrací může způsobit poškození nervů a poruchy krevního oběhu v rukou a pažích.
- Noste teplé oblečení, pokud pracujete v chladném prostředí. Udržujte Vaše ruce teplé a suché.
- Ukončete používání přístroje, když máte pocit ztráty citlivosti, brnění, bolesti nebo zblednutí pokožky na prstech nebo rukách a konzultujte lékaře.
- Nedržte přídavné nástroje volnou rukou, protože to může vést ke zvýšenému zatížení vibracemi.
- Držte přístroj lehce, ale bezpečně v ruce, dbejte přitom na vyskytnuvší se reakční síly. Riziko vzniku potíží způsobených vibracemi je zásadně vyšší při pevném uchopení.

## 2.10 Dodatečné bezpečnostní pokyny pro pneumatické stroje

- Stlačený vzduch může vést k vážným zraněním.
- Než budete provádět údržbu, opravy, transport nebo výměnu sekáče, odpojte pneumatickou přípojku a zbavte přístroj tlaku.
- Nikdy nesměřujte proud vzduchu na sebe nebo na jiné osoby.
- Nekontrolovaně pohybující se hadice mohou způsobit těžká zranění. Proto vždy zkontrolujte, zda jsou hadice a jejich upevňovací prostředky nepoškozené a zda se neuvolnily.
- Při uvolňování rychlospojky držte hadici pevně v ruce a nepoužívejte žádné defektní přípojky, abyste zabránili zraněním, vyvolaným vymrštěnou hadicí stlačeného vzduchu.
- Nenechte proudit studený vzduch přes ruce.
- Nepoužívejte žádné rychlozavírací spojky na vstupu vzduchu. Používejte hadicové přípojky se závitem z tvrzené oceli (nebo materiálu se srovnatelnou odolností proti otřesům).
- Pokud se používají univerzální otočné spojky (ozubená spojka), musí být instalovány aretační kolíky a zadržovací systém pro hadice stlačeného vzduchu, aby se zabránilo možným chybným spojením „hadice na nářadí“ nebo „hadice na hadici“.

- Nepřekračovat maximální přípustný pracovní tlak.
- Nenoste pneumatická nářadí za hadici.

## Bezpečnostní pokyny si dobře uložte.

## 3. Popis přístroje a rozsah dodávky

### 3.1 Popis přístroje (obr. 1/2)

1. Válec
2. Spouštěcí páčka
3. Regulační šroub vzduchu
4. Zasouvací vsuvka
5. Upínací pružina
6. Plochý sekáč (univerzální sekáč)
7. Důlčík
8. Sekáč k odstraňování hlav nýtů
9. Oddělovací sekáč (sekáč na plech)
10. Sekáč k odstraňování bodových svárů
11. Speciální pneumatický olej

### 3.2 Rozsah dodávky

- Otevřete balení a přístroj opatrně vyjměte z balení.
- Odstraňte obalový materiál a ochrany balení / dopravní pojistky (jsou-li k dispozici).
- Překontrolujte, zda je rozsah dodávky úplný.
- Zkontrolujte přístroj a příslušenství, zda nebyly při přepravě poškozeny.
- Balení si pokud možno uložte až do uplynutí záruční doby.

### Pozor!

**Přístroj a obalový materiál nejsou dětská hračka! Děti si nesmějí hrát s plastovými sáčky, fóliemi a malými díly! Hrozí nebezpečí spolknutí a udušení!**

- Pneumatické sekací kladivo
- Zasouvací vsuvka
- Upínací pružina
- Sada sekáčů (5 sekáčů)
- Speciální pneumatický olej
- Originální návod k obsluze



## 4. Použití podle účelu určení

Sekací kladivo je pneumaticky poháněný přístroj určený k všestrannému použití. Je vhodné např. k drážkování, k odstraňování obkládaček nebo omítky, prorážení zdí, oddělování nebo řezání plechů a k odstraňování čepů a nýtů. Přístroj používejte pouze ve vnitřních prostorách.

Odváděný vzduch vystupuje ven z přístroje směrem dopředu.

Přístroj smí být používán pouze podle svého účelu určení. Každé další, toto překračující použití, neodpovídá použití podle účelu určení. Za z toho vyplývající škody nebo zranění všeho druhu ručí uživatel/obsluhující osoba a ne výrobce.

Dbejte prosím na to, že naše přístroje nebyly podle svého účelu určení konstruovány pro živnostenské, řemeslnické nebo průmyslové použití. Nepřebíráme proto žádné ručení, pokud je přístroj používán v živnostenských, řemeslných nebo průmyslových podnicích a při srovnatelných činnostech.

Opravy a údržbu nechat provést pouze v autorizovaných odborných dílnách.

Dodržujte!

Příliš malý vnitřní průměr hadice a příliš dlouhé hadicové vedení vedou ke ztrátě výkonu přístroje.

## 5. Technická data

Max. přípustný pracovní tlak: .....6,3 barů  
Spotřeba stlač. vzduchu  
při 4,0/6,3 barech: ..... cca 250/cca 460 l/min  
Upínání sekáče (šestihran): ..... 10,2 mm  
Zdvih: .....44 mm  
Počet úderů: .....4500 min<sup>-1</sup>  
Doporučený průměr hadice: .....Ø 10 mm  
Hmotnost: ..... cca 1,05 kg

### Hluk a vibrace

Hluk a vibrace změřeny podle normy ISO 15744 a ISO 28927-10.

Hladina akustického tlaku  $L_{pA}$  ..... 84 dB(A)  
Nejistota  $K_{pA}$  ..... 3 dB  
Hladina akustického výkonu  $L_{WA}$  ..... 95 dB(A)  
Nejistota  $K_{WA}$  ..... 3 dB

### Noste ochranu sluchu.

Působení hluku může způsobit ztrátu sluchu.

### Vibrace

Emisní hodnota vibrací  $a_h = 9,5 \text{ m/s}^2$   
Nejistota  $K = 1,44 \text{ m/s}^2$

### Varování!

Uvedená emisní hodnota vibrací byla změřena podle normované zkušební metody a může se měnit v závislosti na druhu a způsobu použití přístroje, a ve výjimečných případech se může nacházet nad uvedenou hodnotou.

Uvedená emisní hodnota vibrací může být použita ke srovnání jednoho přístroje s jinými přístroji.

Uvedená emisní hodnota vibrací může být také použita k úvodnímu posouzení negativních vlivů.

### Omezte tvorbu hluku a vibrace na minimum!

- Používejte pouze přístroje v bezvadném stavu.
- Pravidelně provádějte údržbu a čištění přístroje.
- Přizpůsobte Váš způsob práce přístroji.
- Nepřetěžujte přístroj.
- V případě potřeby nechte přístroj zkontrolovat.
- Přístroj vypněte, pokud ho nepoužíváte.
- Noste rukavice.

**Zbývající rizika**

**I přesto, že obsluhujete přístroj podle předpisů, existují vždy zbývající rizika. V souvislosti s konstrukcí a provedením tohoto přístroje se mohou vyskytnout následující nebezpečí:**

1. Poškození plic, pokud se nenosí žádná vhodná ochranná maska proti prachu.
2. Poškození sluchu, pokud se nenosí žádná vhodná ochrana sluchu.
3. Poškození zdraví, které je následkem vibrací na ruce a paže, pokud se přístroj používá delší dobu nebo není řádně veden a udržován.

**Zásobování vzduchem:**

Pomocí zdroje stlačeného vzduchu s možností nastavení tlaku jako např. kompresor. Před uvedením do provozu si přečtěte také odstavec 7. (Údržba a péče).

**Výkon kompresoru:**

Použitý kompresor by měl mít minimálně objem tlakové nádoby 50 litrů a výkon motoru cca 2,2 kW.

**Hodnoty nastavení pro práci:**

Nastavte na Vašem zásobování stlačeným vzduchem maximálně pracovní tlak 6,3 barů.

**6. Před uvedením do provozu****Obr. 3**

Našroubujte dodanou zasouvací vsuvku (4) do přípojky vzduchu, přičemž napřed omotejte 2-3 vrstvy těsnicí pásky okolo závitu. Zasuňte požadovaný sekáč do šestihranného upínání sekacího kladiva. Na sekáč nasuňte upínací pružinu (5). Našroubujte upínací pružinu na závit válce (1) až na doraz. Držte přitom upínací pružinu za přední ramínko.

Sekací kladivo připojte na výkonnostně vhodný kompresor resp. na rozvod stlačeného vzduchu. Použijte k tomu flexibilní hadici stlačeného vzduchu (vnitřní Ø 10 mm) s rychlospojku. Dbejte na to, aby regulační šroub vzduchu (3) byl nastaven tak, aby mohl procházet vzduch. Přiveďte sekací

kladivo ke zpracovávanému předmětu. Stlačením spouštěcí páčky (2) se sekací kladivo uvede do provozu.

Před každým použitím zkontrolujte přístroj a přidavný nástroj, to zahrnuje také kontrolu počtu otáček a hladiny vibrací.

Na výměnu sekáče odpojte přístroj od zdroje stlačeného vzduchu. Odšroubujte upínací pružinu z válce sekacího kladiva tak, že ji podržíte za zadní ramínko. Nyní může být sekáč vyměněn tak, jak je popsáno výše.

Čas od času by se měl dílek sekáče lehce namazat normálním mazacím tukem.

**7. Údržba a péče**

**Pozor:** Než začnete provádět údržbové a čistící práce, odpojte přístroj od sítě stlačeného vzduchu.

Dodržování zde uvedených pokynů k údržbě zajišťuje tomuto kvalitnímu výrobku dlouhou životnost a bezporuchový provoz.

Čistěte přístroj důkladně a ihned po ukončení práce.

Pro trvalou, bezvadnou funkci Vašeho sekacího kladiva je pravidelné mazání předpokladem.

Používejte proto pouze speciální pneumatický olej, který je obsažen v rozsahu dodávky. Speciální pneumatický olej dostanete také v odborném obchodě.

**Pokyn:** Používejte ekologicky šetrný pneumatický olej, pokud přístroj používáte mimo dílnu.

Pokud jde o mazání, máte na výběr následující možnosti:

**7.1 Pomocí mlhové olejničky**

Zapojte mezi zdroj stlačeného vzduchu a sekací kladivo kompletní údržbovou jednotku s mlhovou olejničkou. Údržbová jednotka je k dostání v odborném obchodě a není obsažena v rozsahu dodávky.



## 7.2 Ručně

Před každým uvedením pneumatického nářadí do provozu přidejte do přípojky stlačeného vzduchu 3-5 kapek speciálního pneumatického oleje. Pokud je pneumatické nářadí mimo provoz několik dní, musíte dát před zapnutím 5-10 kapek speciálního pneumatického oleje do přípojky stlačeného vzduchu. Pneumatické nářadí skladujte pouze v suchých místnostech.

## 7.3 Ostatní údržba

Uvnitř přístroje se nevyskytují žádné další díly vyžadující údržbu.

## 8. Ze záruky jsou vyloučeny

- Rychle opotřebitelné součásti
- Škody v důsledku nepřipustného pracovního tlaku.
- Škody v důsledku neupraveného stlačeného vzduchu.
- Škody způsobené neodborným používáním nebo cizím zásahem.

## 9. Čištění a objednání náhradních dílů

Pozor: Než začnete provádět údržbové a čisticí práce, odpojte přístroj od sítě stlačeného vzduchu.

### 9.1 Čištění

- Udržujte bezpečnostní zařízení, větrací otvory a kryt motoru tak prosté prachu a nečistot, jak jen to je možné. Otřete přístroj čistým hadrem nebo ho profoukněte stlačeným vzduchem při nízkém tlaku.
- Doporučujeme přímo po každém použití přístroj vyčistit.
- Pravidelně přístroj čistěte vlhkým hadrem a trochou mazlavého mýdla. Nepoužívejte čisticí prostředky nebo rozpouštědla; tyto by mohly narušit plastové díly přístroje. Dbejte na to, aby se do přístroje nedostala voda.

## 9.2 Objednání náhradních dílů:

Při objednávce náhradních dílů je třeba uvést následující údaje:

- Typ přístroje
- Číslo artiklu přístroje
- Identifikační číslo přístroje

Aktuální ceny a informace naleznete na [www.isc-gmbh.info](http://www.isc-gmbh.info)

## 10. Skladování

Skladujte přístroj a jeho příslušenství na tmavém, suchém a nezamrzajícím místě a mimo dosah dětí. Optimální teplota skladování leží mezi 5 a 30 °C. Uložte přístroj v originálním balení.

## 11. Likvidace a recyklace

Přístroj je uložen v balení, aby bylo zabráněno poškození při přepravě. Toto balení je surovina a tím znovu použitelné nebo může být dáno zpět do cirkulace surovin. Přístroj a jeho příslušenství jsou vyrobeny z rozdílných materiálů, jako např. kov a plasty. Defektní součástky odevzdejte k likvidaci zvláštních odpadů. Zeptejte se v odborné prodejně nebo na místním zastupitelství! Likvidace musí být provedena tak, aby nevznikly žádné škody na zdraví osob a životním prostředí.

## 12. Prohlášení o shodě

**Einhell Germany AG · Wiesenweg 22 · D-94405 Landau/Isar**



### Konformitätserklärung

- D** erklärt folgende Konformität gemäß EU-Richtlinie und Normen für Artikel
- GB** explains the following conformity according to EU directives and norms for the following product
- F** déclare la conformité suivante selon la directive CE et les normes concernant l'article
- I** dichiara la seguente conformità secondo la direttiva UE e le norme per l'articolo
- NL** verklaart de volgende overeenstemming conform EU richtlijn en normen voor het product
- E** declara la siguiente conformidad a tenor de la directiva y normas de la UE para el artículo
- P** declara a seguinte conformidade, de acordo com a directiva CE e normas para o artigo
- DK** atterer følgende overensstemmelse i medfør af EU-direktiv samt standarder for artikel
- S** förklarar följande överensstämmelse enl. EU-direktiv och standarder för artikeln
- FIN** vakuuttaa, että tuote täyttää EU-direktiivin ja standardien vaatimukset
- EE** tõendab toote vastavust EL direktiivile ja standarditele
- CZ** vydává následující prohlášení o shodě podle směrnice EU a norem pro výrobek
- SLO** potrjuje sledečo skladnost s smernico EU in standardi za izdelek
- SK** vydáva nasledujúce prehlásenie o zhode podľa smernice EÚ a noriem pre výrobok
- H** a cikkekhöz az EU-irányvonal és Normák szerint a következő konformitást jelenti ki
- PL** deklaruje zgodność wymienionego poniżej artykułu z następującymi normami na podstawie dyrektywy WE.
- BG** декларира съответното съответствие съгласно Директива на ЕС и норми за артикул
- LV** paskaidro šādu atbilstību ES direktīvai un standartiem
- LT** apibūdina šį atitikimą EU reikalavimams ir prekės normoms
- RO** declară următoarea conformitate conform directivei UE și normelor pentru articolul
- GR** δηλώνει την ακόλουθη συμμόρφωση σύμφωνα με την Οδηγία ΕΚ και τα πρότυπα για το προϊόν
- HR** potvrđuje sljedeću uskladenost prema smjernicama EU i normama za artikl
- Izjava o sukladnosti za ovaj proizvod dostupna je na internet stranici www.lidl.hr.
- BIH** potvrđuje sljedeću uskladenost prema smjernicama EU i normama za artikl
- RS** potvrđuje sledeću uskladenost prema smernicama EZ i normama za artikal
- RUS** следующим удостоверяется, что следующие продукты соответствуют директивам и нормам ЕС
- UKR** проголошує про зазначену нижче відповідність виробу директивам та стандартам ЄС на виріб
- MK** ja izjavuva slednata soobrznost согласно EУ-директивата и нормите за артикли
- TR** Ürünü ile ilgili AB direktifleri ve normlan gereğince aşağıda açıklanan uygunluğu belirtir
- N** erklærer følgende samsvar i henhold til EU-direktivet og standarder for artikkel
- IS** Lýsir uppfyllingu EU-reglna og annarra staðla vöru

### Druckluft-Meißelhammer PDMH 4500 A2 (Parkside)

- 87/404/EC\_2009/105/EC
- 2005/32/EC\_2009/125/EC
- 2006/95/EC
- 2006/28/EC
- 2004/108/EC
- 2004/22/EC
- 1999/5/EC
- 97/23/EC
- 90/396/EC\_2009/142/EC
- 89/686/EC\_96/58/EC
- 2011/65/EC
- 2006/42/EC
- Annex IV  
Notified Body:  
Notified Body No.:  
Reg. No.:
- 2000/14/EC\_2005/88/EC
- Annex V
- Annex VI  
Noise measured:  $L_{wa} =$  dB (A); guaranteed  $L_{wa} =$  dB (A)  
 $P =$  KW;  $L/\varnothing =$  cm  
Notified Body:
- 2006/28/EC  
Emission No.:

### Standard references: EN ISO 11148-4

Landau/Isar, den 11.01.2012

Weichselgartner/General-Manager

Yu Feng Qing/Product-Management

**First CE: 12**  
**Art.No.:** 41.390.33 I.-No.: 11022  
**Subject to change without notice**

**Archive-File/Record:** NAPR004866  
**Documents registrar:** Siegfried Roider  
Wiesenweg 22, D-94405 Landau/Isar

## 13. Záruční list

Vážená zákaznice, vážený zákazníku,  
naše výrobky podléhají přísné kontrole kvality. Pokud i přesto tento přístroj bezvadně nefunguje, velice toho litujeme a prosíme Vás, abyste se obrátili na náš zákaznický servis, jehož adresa je uvedena na tomto záručním listu. Rádi Vám budeme k dispozici také telefonicky na níže uvedeném servisním čísle. Pro uplatňování nároků na záruku platí následující:

1. Tyto záruční podmínky upravují dodatečný záruční servis. Vašich zákonných nároků na záruku se tato záruka netýká. Náš záruční servis je pro Vás bezplatný.
2. Záruční servis se vztahuje výhradně na nedostatky, které lze odvodit z vad materiálu nebo výrobních vad a je také omezen pouze na odstranění těchto nedostatků, resp. výměnu přístroje. Dbejte prosím na to, že naše přístroje nebyly podle svého účelu určeny konstruovány pro živnostenské, řemeslnické nebo průmyslové použití. Záruční smlouva tak není realizována, pokud byl přístroj používán v živnostenských, řemeslných nebo průmyslových podnicích a při srovnatelných činnostech. Z naší záruky je dále vyloučeno poskytnutí náhrady za dopravní škody, škody způsobené nedodržováním montážního návodu nebo z důvodů neodborné instalace, nedodržování návodu k použití (jako např. připojení na chybné síťové napětí nebo druh proudu), nedovoleného nebo neodborného používání (jako např. přetížení přístroje nebo použití neschválených vložných nástrojů nebo příslušenství), nedodržování pokynů pro údržbu a bezpečnostních pokynů, vniknutí cizích těles do přístroje (jako např. písek, kameny nebo prach), použití násilí nebo poškození v důsledku cizích vlivů (jako např. škody způsobené pádem), jakož také běžného opotřebení způsobeného používáním. To platí obzvláště pro akumulátory, na které přesto poskytujeme záruční lhůtu 12 měsíců. Nárok na záruku zaniká, pokud bylo do přístroje již zasahováno.
3. Záruční doba činí 3 roky a začíná datem koupě přístroje. Nároky na záruku před vypršením záruční doby je třeba uplatňovat během dvou týdnů od zjištění defektu. Uplatňování nároků na záruku po vypršení záruční doby je vyloučeno. Oprava nebo výměna přístroje nevede k prodloužení záruční doby, ani k zahájení nové záruční doby za provedený výkon pro přístroj nebo pro případné zamontované náhradní díly. Toto platí také v případě servisu v místě Vašeho bydliště.
4. Při uplatňování Vašeho nároku na záruku zašlete prosím přístroj bez poštovního na níže uvedenou adresu. Přiložte originál prodejního dokladu nebo jiného datovaného potvrzení o koupi. Pokladní lístek si proto dobře uložte jako důkaz! Popište nám prosím pokud možno přesně důvod reklamace. Je-li defekt přístroje v našem záručním servisu obsažen, obdržíte obratem opravený nebo nový přístroj.

Samozřejmě rádi za úhradu nákladů odstraníme defekty na přístrojích, které nespadají nebo již nespadají do rozsahu záruky. K tomu nám přístroj prosím zašlete na naši servisní adresu.

**Einhell UNICORE s.r.o.**

Holečkova 4  
CZ-360 17 Karlovy Vary  
Czech Republic  
Tel.: +420 353 440 245 · Fax: +420 359 607 228  
E-Mail: servis@einhell.cz

IAN 73790



## Obsah

1. Úvod .....	50
2. Bezpečnostné pokyny .....	50
3. Popis prístroja a objem dodávky .....	52
4. Správne použitie prístroja .....	53
5. Technické údaje .....	53
6. Pred uvedením do prevádzky .....	54
7. Údržba a starostlivosť .....	55
8. Zo záruky sú vylúčené .....	55
9. Čistenie a objednanie náhradných dielov .....	55
10. Skladovanie .....	56
11. Likvidácia a recyklácia .....	56
12. Prehlásenie o zhode .....	57
13. Záručný list .....	58

Dodatočná tlač alebo iné reprodukovanie dokumentácie a sprievodných dokladov výrobkov, taktiež ich častí, je prípustná len s výslovným súhlasom spoločnosti iSC GmbH.

Technické zmeny vyhradené







SK



Výstraha - Aby ste znížili riziko poranenia, prečítajte si návod na obsluhu



**Používajte ochranu sluchu.** Pôsobenie hluku môže spôsobiť poškodenie sluchu.



**Noste ochranné okuliare.** Iskry vznikajúce pri práci alebo úlomky, triesky a prach vystupujúci z prístroja by mohli viesť k trvalému poškodeniu zraku.



## 1. Úvod

Srdečne blahoželáme ku kúpe Vášho nového prístroja. Rozhodli ste sa tak pre vysoko kvalitný výrobok. Návod na obsluhu je súčasťou tohto výrobku. Obsahuje dôležité pokyny pre bezpečnosť, používanie a likvidáciu. Oboznámte sa pred použitím výrobku so všetkými obslužnými a bezpečnostnými pokynmi. Používajte tento výrobok len podľa popisu a v uvedených oblastiach použitia. Odovzdajte všetky podklady spolu s výrobkom v prípade odovzdania výrobku tretím osobám.

## 2. Bezpečnostné pokyny

### ⚠ Výstraha!

**Prečítajte si všetky bezpečnostné predpisy a pokyny.** Nedostatky pri dodržovaní bezpečnostných predpisov a pokynov môžu mať za následok úraz elektrickým prúdom, vznik požiaru a/alebo ťažké poranenia. **Všetky bezpečnostné predpisy a pokyny si odložte pre budúce použitie.**

Chráňte seba a vaše okolie vhodnými bezpečnostnými opatreniami pred rizikami vzniku nehody.

### 2.1 Všeobecné bezpečnostné pravidlá

- Prístroj sa nesmie meniť. Zmeny znižujú účinnosť bezpečnostných opatrení a zvyšujú riziko poranenia.
- Nikdy nepoužívajte poškodený prístroj.
- Používajte prístroj a vykonávajte jeho údržbu podľa odporúčaní uvedených v návode na obsluhu, aby sa minimalizovala tvorba prachu alebo plynov, hluku a vibrácií.
- Pneumatické nástroje zabezpečte pred deňmi.
- Prístroj neprevádzkujte na voľnobeh, aby ste zabránili nekontrolovanému vymršteniu dláta.
- Používajte spotrebné materiály a strojné nástroje podľa odporúčaní uvedených v návode na obsluhu, aby sa minimalizovala tvorba prachu alebo plynov, hluku a vibrácií.
- Na strojoch sa musí pravidelne vykonávať

údržba, aby bolo možné skontrolovať, že sú na príslušnej časti stroja čitateľne vyznačené nominálne hodnoty a označenia požadované podľa normy ISO 11148. Pracovník/používateľ musí kontaktovať výrobcu, aby v prípade potreby objednal náhradné etikety na označenie.

### 2.2 Nebezpečenstvá v dôsledku vymrštených častí

- Odpojte pneumatickú prípojku a zbavte prístroj tlaku predtým, než budete chcieť vykonávať na prístroji údržbu, opravy, transport alebo výmenu dláta.
- Dbajte na to, že pri sekanií môžu veľmi rýchlo odlietať vznikajúce odlomky materiálu, častí príslušenstva alebo použitého dláta.
- Noste vždy nerozbitné ochranné okuliare. Stupeň potrebnej ochrany by sa mal zvlášť vyhodnotiť pre každý druh použitia.
- Pri práci nad hlavou používajte ochrannú prilbu. Prosím dbajte pritom taktiež na prípadné ohrozenie iných osôb padajúcimi časťami materiálu.
- Ubezpečte sa, že je materiál bezpečne zafixovaný.
- Presvedčte sa o tom, že je používané dláto bezpečne pripevnené.
- Používajte len vhodnú upínaciu pružinu (5) (je súčasťou dodávky). Vymeňte upínaciu pružinu, ak je opotrebovaná, zlomená alebo ohnutá, aby ste tak zabránili prípadným zraneniam.
- Nasadené dláto musí byť pritlačené na obrábaný materiál pred aktivovaním prístroja.
- Používajte len odporúčaný mazací prostriedok (pozri 7. Údržba a starostlivosť).
- Nikdy sa nedotýkajte dláta počas prevádzky a po prevádzke prístroja. Mohlo by dôjsť poraneniu prstov resp. rúk. Dláto môže byť horúce.

### 2.3 Nebezpečenstvá pri prevádzke

- Používanie prístroja môže spôsobiť pomliaždeniny, odreniny, rezné zranenia a popáleniny. Používajte rukavice.
- Obsluhujúce osoby a personál údržby musia byť fyzicky schopní zvládvať rozmery, hmotnosť a výkon stroja.
- Neočakávané pohyby stroja alebo zlomenie dláta môžu viesť k ťažkým nehodám. Neustále preto dbajte na bezpečné a stabilné postavenie, aby ste mohli prístroj kontrolovať aj pri neočakávaných pohyboch a mohli udržať svoje pracovné postavenie.
- V prípade prerušenia prívodu vzduchu pustite spúšťač páčky (2).
- Používajte pri práci so sekacím kladivom príslušný potrebný ochranný odev, predovšetkým nárazu vzdorné ochranné okuliare, ochranu sluchu a ochranné rukavice.

### 2.4 Nebezpečenstvá v dôsledku opakovaných pohybov

- Práca so sekacím kladivom môže viesť k zdravotným problémom s rukami, ramenami, plecami, krkom alebo inými časťami tela.
- Dbajte počas používania prístroja na pohodlné držanie tela a striedajte ho, aby ste predišli ťažkostiam.
- Ukončíte používanie prístroja, pokiaľ máte pocit straty citlivosti, svrbenie, bolesti alebo zblednutie pokožky na prstoch alebo rukách a konzultujte to s lekárom.

### 2.5 Nebezpečenstvá spojené s časťami príslušenstva

- Pozor: Pred vykonávaním údržbových prác a čistenia odpojte prístroj zo siete stlačeného vzduchu.
- Používajte len takú veľkosť a druh príslušenstva a spotrebného materiálu, ktoré sú odporúčané výrobcom.
- Nepoužívajte dláta ako ručné nástroje. Boli vyvinuté špeciálne pre použitie spolu so sekacím kladivom.
- Používajte len ostré dláta, pretože tupé dláta vyžadujú vyšší tlak a môžu sa zlomiť, ako aj zvýšiť vibrácie.
- Nechladte horúce nástroje vo vode. Mohlo

by to viesť k poškodeniam.

- Nepoužívajte dláto ako nástroj na páčenie.
- Nikdy sa nedotýkajte dláta počas prevádzky a po prevádzke prístroja. Mohlo by dôjsť poraneniu prstov resp. rúk. Dláto môže byť horúce.
- Nepoužívajte žiadne poškodené prístroje. Poškodené diely vymeňte, aby ste zabránili prípadným zraneniam.

### 2.6 Nebezpečenstvá na pracovisku

- Podklznutie, zakopnutie a pády sú hlavnými príčinami zranení na pracovisku. Dbajte na tvorbu klzkého podkladu, ktorý môže byť spôsobený používaním prístroja, a na nebezpečenstvo zakopnutia na vzduchovej hadici.
- Pozor na skryté nebezpečenstvá ako elektrické vedenia alebo plynové a vodovodné rozvody.
- Tento prístroj nie je v prípade kontaktu s elektrickým vedením izolovaný. Zabráňte bezpodmienečne akémukoľvek kontaktu s elektrickými vedeniami. Prístroj nie je vhodný na používanie v explozívnych atmosférach.
- Prístroj nie je vhodný na používanie v explozívnych atmosférach: Pri prácach s týmto prístrojom môžu vzniknúť iskry. Nepracujte preto s týmto prístrojom nikdy v blízkosti horľavých materiálov, tekutín alebo plynov.

### 2.7 Nebezpečenstvá v dôsledku prachu a výparov

- V závislosti od spracovávaného materiálu môže vznikajúci prach a plyny pôsobiť zdraviu škodlivo na obsluhujúcu osobu (napr. rakovina, vrodené poruchy, astma a/alebo dermatitída).
- Dbajte na to, aby prúdiaci vzduch z prístroja rozvíril čo najmenej prachu.
- Používajte vhodnú ochrannú masku proti prachu, ktorá zodpovedá danému prípadu použitiu a všeobecne platným bezpečnostným pravidlám.

## 2.8 Nebezpečenstvá v dôsledku hluku

- Hluk môže spôsobiť trvalé poškodenie sluchu. Nechránené vystavenie vysokým hladinám hluku môže viesť ku strate sluchu a iným problémom, ako tinitus (zvonenie, bzučanie, pískanie alebo hučanie v ušiach). Používajte ochranu sluchu.
- Aby bolo možné udržať vznikajúci hluk a vibrácie pokiaľ možno čo najslabšie, dodržiavajte pokyny pre údržbu a používanie uvedené v tomto návode. Materiál tlmiaci vibrácie použitý ako medzivrstva napríklad pri spracovávaní plechu môže taktiež znížiť hluk.

## 2.9 Nebezpečenstvá v dôsledku vibrácií

- Pôsobenie vibrácií môže mať za dôsledok poškodenie nervov a poruchy krvného obehu v rukách a pažiach.
- Ak pracujete v chladnom prostredí, noste teplé oblečenie. Udržiavajte vaše ruky teplé a suché.
- Ukončite používanie prístroja, pokiaľ máte pocit straty citlivosti, svrbenie, bolesti alebo zblednutie pokožky na prstoch alebo rukách a konzultujte to s lekárom.
- Obrábací nástroj nedržte voľnou rukou, pretože to vedie k zvýšenej záťaži vibráciami.
- Držte prístroj ľahkým ale bezpečným uchopením, a dbajte pritom na vyskytujúce sa reakčné sily. Riziko vzniku ťažkostí kvôli vibráciám je v prípade pevnejšieho uchopenia vždy vyššie.

## 2.10 Dodatočné bezpečnostné pokyny pre pneumatiké stroje

- Stlačený vzduch môže viesť k vážnym zraneniam.
- Odpojte pneumatikú prípojku a zbavte prístroj tlaku predtým, než budete chcieť vykonávať na prístroji údržbu, opravy, transport alebo výmenu dláta.
- Nikdy nesmerujte prúd vzduchu na seba ani na iné osoby.
- Nekontrolované pohybujúce sa hadice môžu spôsobiť vážne zranenia. Vždy preto kontrolujte, či sú hadice a ich upevňovacie prostriedky bez poškodenia a nie sú uvoľnené.

- Pri uvoľňovaní rýchlospojky držte hadicu pevne v ruke a nepoužívajte žiadne poškodené prípojky, aby ste zabránili zraneniam, ktoré by mohli vzniknúť nekontrolovaným spätným úderom pneumatikkej hadice.
- Nenechajte si prúdiť studený vzduch ponad ruky.
- Nepoužívajte žiadne rýchlospojky na vstupe vzduchu. Používajte hadicové prípojky so závitom z tvrdenej ocele (alebo materiálu s porovnateľnou odolnosťou voči otrasom).
- V prípade použitia univerzálnych otočných spojok (pazúrová spojka) musia byť nainštalované aretačné kolíky a zádržný systém pre pneumatiké hadice, aby bola poskytnutá ochrana proti možným chybným spojeniam „hadice na nástroj“ alebo „hadice na hadicu“.
- Neprekračujte maximálny prípustný pracovný tlak.
- Neprenášajte pneumatiké nástroje zavesené za hadicu.

## Starostlivo uschovajte tieto bezpečnostné pokyny.

## 3. Popis prístroja a objem dodávky

### 3.1 Popis prístroja (obr. 1/2)

- Valec
- Spúšľacia páčka
- Regulačná skrútku vzduchu
- Zásuvná vsuvka
- Napínacia pružina
- Ploché dláto (univerzálne dláto)
- Špicaté dláto
- Dláto na oddeľovanie nitov
- Oddeľovacie dláto (dláto na plech)
- Dláto na oddeľovanie bodových zvarov
- Špeciálny pneumatiký olej

### 3.2 Objem dodávky

- Otvorte balenie a opatrne vyberte prístroj von z balenia.
- Odstráňte obalový materiál ako aj obalové/transportné poistky (pokiaľ sú obsiahnuté).
- Skontrolujte, či obsah dodávky kompletný.
- Skontrolujte, či nedošlo k poškodeniu prístroja a príslušenstva transportom.
- Pokiaľ možno, uschovajte si obal až do konca záručnej doby.

#### Pozor!

**Prístroj a obalový materiál nie sú hračky! Deti sa nesmú hrať s plastovými vreckami, fóliami ani malými dielmi! Hrozí nebezpečenstvo prehltnutia a udusenia!**

- Pneumatické sekacie kladivo
- Zásuvná vsuvka
- Upínacia pružina
- Sada dlát (5 dlát)
- Špeciálny pneumatiký olej
- Originálny návod na obsluhu

## 4. Správne použitie prístroja

Sekacie kladivo je pneumatically poháňaný nástroj pre všestranné použitie. Je vhodné napr. na tvorenie zárezov, odstraňovanie dlaždíc alebo omietky, prerážanie múrov, oddeľovanie alebo rezanie plechov a na odstraňovanie čapov alebo nitov. Prístroj používajte len v interiéroch.

Výfukový vzduch vystupuje von z prístroja smerom dopredu.

Prístroj smie byť použitý len na ten účel, na ktorý bol určený. Akékoľvek iné odlišné použitie sa považuje za nespĺňajúce účel použitia. Za škody alebo zranenia akéhokoľvek druhu spôsobené nesprávnym používaním ručí používateľ/obsluhujúca osoba, nie však výrobca.

Prosím berte ohľad na skutočnosť, že naše prístroje neboli svojim určením konštruované na profesionálne, remeselnícke ani priemyselné použitie. Nepreberáme žiadne záručné ručenie, ak sa

prístroj bude používať v profesionálnych, remeselníckych alebo priemyselných prevádzkach ako aj na činnosti rovnocenné s takýmto použitím.

Nechajte vykonávať opravy a údržbu len v autorizovaných servisoch.

#### Nezabudnite!

**Príliš malý vnútorný priemer hadice a príliš dlhé hadicové vedenie vedú k strate výkonu prístroja.**

## 5. Technické údaje

max. prípustný pracovný tlak: .....6,3 bar  
 Spotreba vzduchu  
 pri 4,0/6,3 bar: ..... ca. 250/ca. 460 l/min  
 Uloženie dláta (6-hranné): ..... 10,2 mm  
 Zdvih: .....44 mm  
 Frekvencia úderov: .....4500 min<sup>-1</sup>  
 odporúčaný priemer hadice: .....Ø 10 mm  
 Hmotnosť: .....ca. 1,05 kg

#### Hlučnosť a vibrácie

Hodnoty hluku a vibrácie boli merané podľa ISO 15744 a ISO 28927-10.

Hladina akustického tlaku  $L_{pA}$  .....84 dB (A)  
 Nepresnosť  $K_{pA}$  .....3 dB  
 Hladina akustického výkonu  $L_{WA}$  .....95 dB (A)  
 Nepresnosť  $K_{WA}$  .....3 dB

#### Používajte ochranu sluchu.

Pôsobenie hluku môže spôsobiť poškodenie sluchu.

#### Vibrácie

Emisná hodnota vibrácie  $a_h = 9,5 \text{ m/s}^2$   
 Faktor neistoty  $K = 1,44 \text{ m/s}^2$

**Výstraha!**

Uvedená emisná hodnota vibrácií bola nameraná podľa normovaného skúšobného postupu a môže sa meniť v závislosti od druhu a spôsobu použitia prístroja, a vo výnimočných prípadoch sa môže nachádzať nad uvedenou hodnotou.

Uvedená emisná hodnota vibrácie sa môže použiť za účelom porovnania prístroja s inými prístrojmi.

Uvedená emisná hodnota vibrácií sa môže taktiež použiť za účelom východiskového posúdenia vplyvov.

**Obmedzte tvorbu hluku a vibráciu na minimum!**

- Používajte len prístroje v bezchybnom stave.
- Pravidelne vykonávajte údržbu a čistenie prístroja.
- Prispôbte spôsob práce prístroju.
- Prístroj neprefažujte.
- V prípade potreby nechajte prístroj skontrolovať.
- Prístroj vypnite, pokiaľ ho nepoužívate.
- Používajte rukavice.

**Zvyškové riziká**

**Aj napriek tomu, že budete tento prístroj obsluhovať podľa predpisov, budú existovať zvyškové riziká. V súvislosti s konštrukciou a vyhotovením tohto prístroja môže dôjsť k výskytu týchto nebezpečenstiev:**

1. Poškodenie pľúc, pokiaľ sa nenosí žiadna vhodná ochranná maska proti prachu.
2. Poškodenie sluchu, pokiaľ sa nenosí žiadna vhodná ochrana sluchu.
3. Poškodenie zdravia, ktoré je následkom vibrácie rúk a ramien, pokiaľ sa prístroj bude používať dlhšiu dobu alebo sa nevedie a neudržiava správny spôsobom.

**Zásobovanie vzduchom:**

Pomocou zdroja stlačeného vzduchu s možnosťou nastavenia tlaku ako napr. kompresor. Pred uvedením do prevádzky si prečítajte taktiež kapitolu 7. (Údržba a starostlivosť).

**Výkonnosť kompresora:**

Použitý kompresor by mal mať minimálne objem kotla 50 litrov a výkon motora cca 2,2 kW.

**Nastavovacie hodnoty pre prácu:**

Nastavte na Vašom napájaní stlačeným vzduchom maximálne pracovný tlak 6,3 bar.

**6. Pred uvedením do prevádzky****Obr. 3**

Naskrutkujte dodanú zásuvnú vsuvku (4) do vzduchovej prípojky, pričom vopred navíňte 2-3 vrstvy tesniacej pásky na závit. Nasuňte požadované dláto do šesťhranného uloženia sekacieho kladiva. Na dláto nasuňte upínaciu pružinu (5). Naskrutkujte upínaciu pružinu na závit valca (1) pevne až na doraz. Držte pritom upínaciu pružinu za predné ramienko.

Pripojte sekacie kladivo na výkonnostne vhodný kompresor resp. na rozvod stlačeného vzduchu. Používajte na to flexibilnú pneumatickú hadicu (vnútorný Ø 10 mm) s rýchlospojku. Dbajte na to, aby regulačná skrutka vzduchu (3) bola nastavená tak, aby mohol prúdiť vzduch. Privedte sekacie kladivo k spracovávanému objektu. Stlačením spúšťacej páčky (2) sa sekacie kladivo uvedie do prevádzky.

Pred každým použitím skontrolujte prístroj a nasadený nástroj, to zahŕňa taktiež kontrolu otáčok a hladiny vibrácií.

Pred výmenou dláta sa musí prístroj odpojiť od zdroja stlačeného vzduchu. Odskrutkujte upínaciu pružinu dole z valca sekacieho kladiva a držte ju pritom za zadné ramienko. Teraz môže byť dláto vymenené tak, ako to je popísané vyššie.

Čas od času by sa mal driek dláta namazať normálnym mazacím tukom.

## 7. Údržba a starostlivosť

**Pozor:** Pred vykonávaním údržbových prác a čistenia odpojte prístroj zo siete stlačeného vzduchu.

Dodržiavanie tu uvedených údržbových pokynov zabezpečí pre tento kvalitný výrobok dlhú životnosť a bezporuchovú prevádzku. Prístroj vyčistite dôkladne a ihneď po ukončení práce.

Predpokladom pre trvale bezporuchovú funkčnosť Vášho sekacieho kladiva je pravidelné mazanie. Používajte na to len špeciálny pneumatiký olej, ktorý je súčasťou dodávky. Špeciálny pneumatiký olej je zároveň možné zakúpiť v odborných predajniach.

**Upozornenie:** Používajte ekologicky šetrný pneumatiký olej, pokiaľ prístroj používate mimo dielenských priestorov.

Pre účely mazania sú k dispozícii na výber nasledujúce možnosti:

### 7.1 Prostredníctvom olejničky

Zapojte medzi zdroj stlačeného vzduchu a sekacie kladivo kompletnú údržbovú jednotku s olejničkou. Údržbová jednotka sa môže zakúpiť v odborných predajniach a nie je súčasťou dodávky.

### 7.2 Ručne

Pred každým uvedením pneumatikého prístroja do prevádzky sa musí pridať 3-5 kvapiek špeciálneho pneumatikého oleja do pripojenia stlačeného vzduchu. Ak je prístroj mimo prevádzky niekoľko dní, tak sa musí pridať 5-10 kvapiek špeciálneho pneumatikého oleja do pripojenia stlačeného vzduchu. Skladujte Váš pneumatiký prístroj len v suchých miestnostiach.

### 7.3 Ostatná údržba

Vo vnútri prístroja sa nenachádzajú žiadne ďalšie diely vyžadujúce údržbu.

## 8. Zo záruky sú vylúčené

- Diely podliehajúce opotrebeniu.
- Poškodenia neprípustným pracovným tlakom.
- Poškodenia neupraveným stlačeným vzduchom.
- Poškodenia spôsobené nesprávnym používaním alebo cudzími zásahmi.

## 9. Čistenie a objednanie náhradných dielov

**Pozor:** Pred vykonávaním údržbových prác a čistenia odpojte prístroj zo siete stlačeného vzduchu.

### 9.1 Čistenie

- Udržujte ochranné zariadenia, vzduchové otvory a kryt motora vždy v čistom stave bez prachu a nečistôt. Utrite prístroj čistou utierkou alebo ho vyčistite vyfúkaním stlačeným vzduchom pri nastavení na nízky tlak.
- Odporúčame, aby ste prístroj čistili priamo po každom použití.
- Čistite prístroj pravidelne pomocou vlhkej utierky a malého množstva tekutého mydla. Nepoužívajte žiadne agresívne čistiace prostriedky ani riedidlá; tieto prostriedky by mohli napadnúť umelohmotné diely prístroja. Dbajte na to, aby sa do vnútra prístroja nedostala voda.

### 9.2 Objednávanie náhradných dielov:

Pri objednávaní náhradných dielov je potrebné uviesť nasledovné údaje:

- Typ prístroja
- Výrobné číslo prístroja
- Identifikačné číslo prístroja

Aktuálne ceny a informácie nájdete na stránke [www.isc-gmbh.info](http://www.isc-gmbh.info)



## 10. Skladovanie

Skladujte prístroj a jeho príslušenstvo na tmavom, suchom a nezamrzajúcom mieste mimo dosahu detí. Optimálna teplota pre skladovanie je medzi 5 až 30°C. Skladujte tento prístroj v originálnom balení.

## 11. Likvidácia a recyklácia

Prístroj sa nachádza v obale za účelom zabránenia poškodeniu pri transporte. Tento obal je vyrobený zo suroviny a tým pádom je ho možné znovu použiť alebo sa môže dať do zberu na recykláciu surovín. Prístroj a jeho príslušenstvo sa skladajú z rôznych materiálov, ako sú napr. kovy a plasty. Poškodené súčiastky odovzdajte na vhodnú likvidáciu špeciálneho odpadu. Informujte sa v odbornej predajni alebo na miestnych úradoch! Likvidácia sa musí uskutočniť tak, aby nevznikali riziká pre osoby a životné prostredie.



## 12. Prehlásenie o zhode

**Einhell Germany AG · Wiesenweg 22 · D-94405 Landau/Isar**



### Konformitätserklärung

- D** erklärt folgende Konformität gemäß EU-Richtlinie und Normen für Artikel
- GB** explains the following conformity according to EU directives and norms for the following product
- F** déclare la conformité suivante selon la directive CE et les normes concernant l'article
- I** dichiara la seguente conformità secondo la direttiva UE e le norme per l'articolo
- NL** verklaart de volgende overeenstemming conform EU richtlijn en normen voor het product
- E** declara la siguiente conformidad a tenor de la directiva y normas de la UE para el artículo
- P** declara a seguinte conformidade, de acordo com a directiva CE e normas para o artigo
- DK** attesterer følgende overensstemmelse i medfør af EU-direktiv samt standarder for artikel
- S** förklarar följande överensstämmelse enl. EU-direktiv och standarder för artikeln
- FIN** vakuuttaa, että tuote täyttää EU-direktiivin ja standardien vaatimukset
- EE** tõendab toote vastavust EL direktiivile ja standarditele
- CZ** vydává následující prohlášení o shodě podle směrnice EU a norem pro výrobek
- SLO** potrjuje sledečo skladnost s smernico EU in standardi za izdelek
- SK** vydáva nasledujúce prehlásenie o zhode podľa smernice EÚ a noriem pre výrobok
- H** a cikkekhez az EU-irányvonal és Normák szerint a következő konformitást jelenti ki
- PL** deklaruje zgodność wymienionego poniżej artykułu z następującymi normami na podstawie dyrektywy WE.
- BG** декларира съответното съответствие съгласно Директива на ЕС и норми за артикул
- LV** paskaidro šādu atbilstību ES direktīvai un standartiem
- LT** apibūdina šį atitikimą EU reikalavimams ir prekės normoms
- RO** declară următoarea conformitate conform directivei UE și normelor pentru articolul
- GR** δηλώνει την ακόλουθη συμμόρφωση σύμφωνα με την Οδηγία ΕΚ και τα πρότυπα για το προϊόν
- HR** potvrđuje sljedeću uskladenost prema smjernicama EU i normama za artikel
- HR** Izjava o sukladnosti za ovaj proizvod dostupna je na internet stranici www.lidl.hr.
- BIH** potvrđuje sljedeću uskladenost prema smjernicama EU i normama za artikel
- RS** potvrđuje sledeću uskladenost prema smernicama EZ i normama za artikal
- RUS** следующим удостоверяется, что следующие продукты соответствуют директивам и нормам ЕС
- UKR** проголошує про зазначену нижче відповідність виробу директивам та стандартам ЄС на виріб
- MK** ja izjavuva slednata soobrznost согласно EУ-директивата и нормите за артикли
- TR** Ürünü ile ilgili AB direktifleri ve normlan gereğince aşağıda açıklanan uygunluğu belirtir
- N** erklærer følgende samsvar i henhold til EU-direktivet og standarder for artikkel
- IS** Lýsir uppfyllingu EU-reglna og annarra staðla vöru

### Druckluft-Meißelhammer PDMH 4500 A2 (Parkside)

- |   |  |
|---|--|
| <input type="checkbox"/> 87/404/EC_2009/105/EC  | <input checked="" type="checkbox"/> 2006/42/EC   |
| <input type="checkbox"/> 2005/32/EC_2009/125/EC | <input type="checkbox"/> Annex IV<br>Notified Body:<br>Notified Body No.:<br>Reg. No.:   |
| <input type="checkbox"/> 2006/95/EC             |  |
| <input type="checkbox"/> 2006/28/EC             | <input type="checkbox"/> 2000/14/EC_2005/88/EC   |
| <input type="checkbox"/> 2004/108/EC            | <input type="checkbox"/> Annex V   |
| <input type="checkbox"/> 2004/22/EC             | <input type="checkbox"/> Annex VI<br>Noise measured: L <sub>WA</sub> = dB (A); guaranteed L <sub>WA</sub> = dB (A)<br>P = KW; L/Ø = cm<br>Notified Body: |
| <input type="checkbox"/> 1999/5/EC              |  |
| <input type="checkbox"/> 97/23/EC               | <input type="checkbox"/> 2006/28/EC<br>Emission No.:   |
| <input type="checkbox"/> 90/396/EC_2009/142/EC  |  |
| <input type="checkbox"/> 89/686/EC_96/58/EC     |  |
| <input type="checkbox"/> 2011/65/EC             |  |

### Standard references: EN ISO 11148-4

Landau/Isar, den 11.01.2012

Weichselgartner/General-Manager

Yu Feng Qiang/Product-Management

**First CE: 12**  
**Art.No.:** 41.390.33 I.-No.: 11022  
**Subject to change without notice**

**Archive-File/Record:** NAPR004866  
**Documents registrar:** Siegfried Roider  
Wiesenweg 22, D-94405 Landau/Isar

## 13. Záručný list

Vážená zákazníčka, vážený zákazník,  
naše výrobky podliehajú prísnej kontrole kvality. V prípade, že nebude prístroj napriek tomu bezchybne fungovať, je nám to veľmi ľúto a prosíme Vás, aby ste sa obrátili na našu servisnú službu na adrese uvedenej na tomto záručnom liste. Radi Vám budeme k dispozícii taktiež telefonicky na uvedenom servisnom telefónnom čísle. Pri uplatňovaní nárokov na záručné plnenie platia nasledujúce podmienky:

1. Tieto záručné podmienky upravujú dodatočné záručné plnenie. Vaše zákonné nároky na záruku nie sú touto zárukou dotknuté. Naše záručné plnenie je pre Vás zadarmo.
2. Záručné plnenie sa vzťahuje výlučne len na nedostatky, ktoré sú spôsobené chybami materiálu alebo výrobnými chybami, a je obmedzené na odstránenie týchto nedostatkov resp. výmenu prístroja. Prosím, dbajte na to, že naše prístroje neboli svojim určením konštruované na profesionálne, remeselnícke ani priemyselné použitie. Táto záručná zmluva sa preto neuplatňuje, ak sa prístroj bude používať v profesionálnych, remeselníckych alebo priemyselných prevádzkach ako aj na činnosti rovnocenné s takýmto použitím. Z našej záruky sú okrem toho vylúčené náhradné plnenie za škody pri transporte, škody spôsobené nedodržaním návodu na montáž alebo na základe neodbornej inštalácie, nedodržaním návodu na použitie (ako napr. pripojením na nesprávne sieťové napätie alebo druh prúdu), zneužívaním alebo nesprávnym používaním (ako napr. preťaženie prístroja alebo použitie neprípustných pracovných nástrojov alebo príslušenstva), nedodržaním pokynov pre údržbu a bezpečnostných pokynov, vniknutím cudzích telies do prístroja (ako napr. piesok, kamene alebo prach), použitím násilia alebo cudzieho pôsobenia (napr. škody spôsobené pádom), a taktiež je vylúčené bežné opotrebenie primerané použitiu. To sa týka predovšetkým akumulátorov, na ktoré napriek tomu garantujeme záručnú dobu 12 mesiacov. Nárok na záruku zaniká, ak už boli na prístroji svojvoľne uskutočnené zásahy.
3. Doba záruky je 3 roky a začína sa dátumom nákupu prístroja. Nároky na záruku sa musia uplatniť pred koncom uplynutia záručnej doby do dvoch týždňov od zistenia nedostatku. Uplatnenie nárokov na záruku po uplynutí záručnej doby je vylúčené. Oprava alebo výmena prístroja nevedie k predĺženiu záručnej doby ani nedochádza na základe tohto plnenia ku vzniku novej záručnej doby pre prístroj ani pre akékoľvek inštalované náhradné diely. To platí taktiež pri nasadení miestneho servisu.
4. Pre uplatnenie nároku na záruku nám prosím zašlite defektný prístroj oslobodený od poštovného na dole uvedenú adresu. Priložte predajný doklad v origináli alebo iný doklad o zakúpení s dátumom. Prosím, starostlivo si preto uschovajte pokladničný blok ako doklad o zakúpení! Prosím, popíšte nám čo najpresnejšie dôvod reklamácie. Ak spadá defekt prístroja pod naše záručné plnenie, dostanete obratom naspäť opravený alebo nový prístroj.

Samozrejme Vám radi opravíme závady na prístroji na vaše náklady, ak tieto závady nespádajú alebo už nespádajú do rozsahu záruky. Prosím, pošlite nám v takom prípade prístroj na našu servisnú adresu.

### **Einhell Slovakia s.r.o.**

Diaľničná cesta 18

SK-903 01 Senec

Tel.: + 421 2 209037 87/88 · Fax: +421 2 45241579

E-mail: servissk@einhell.sk

IAN 73790



## Spis treści

1. Przedmowa .....	61
2. Wskazówki bezpieczeństwa .....	61
3. Opis urządzenia i zakres dostawy .....	64
4. Użycie zgodne z przeznaczeniem.....	64
5. Dane techniczne .....	65
6. Przed uruchomieniem .....	66
7. Konserwacja i pielęgnacja .....	66
8. Gwarancji nie podlegają.....	67
9. Czyszczenie i zamawianie części zamiennych.....	67
10. Przechowywanie.....	67
11. Usuwanie odpadów i recycling.....	67
12. Deklaracja zgodności z normami .....	68
13. Gwarancja .....	69

Przedruk lub innego rodzaju powielanie dokumentacji wyrobów oraz dokumentów towarzyszących, nawet we fragmentach dopuszczalne jest tylko za wyraźną zgodą firmy iSC GmbH.

Zmiany techniczne zastrzeżone



PL



Ostrzeżenie - Aby zmniejszyć ryzyko zranienia, należy przeczytać instrukcję obsługi



**Nosić nauszniki ochronne.** Hałas powoduje postępującą utratę słuchu.



**Nosić okulary ochronne.** W czasie pracy może dochodzić do powstawania powodujących utratę wzroku iskier, opitek, drzazg lub odprysków.



## 1. Przedmowa

Gratulujemy Państwu zakupu urządzenia naszej firmy!

Wybrali Państwo produkt wysokiej jakości. W skład zakupionego produktu wchodzi instrukcja obsługi. Zawiera ona ważne wskazówki na temat bezpieczeństwa, użytku i utylizacji urządzenia. Przed użyciem produktu prosimy zapoznać się z treścią instrukcji obsługi i wskazówek bezpieczeństwa. Prosimy stosować produkt tylko zgodnie z instrukcją i w zalecanym zakresie stosowania. W przypadku przekazania produktu osobom trzecim prosimy o wręczenie im również kompletnej dokumentacji urządzenia.

## 2. Wskazówki bezpieczeństwa

### ⚠ Ostrzeżenie

**Przeczytać wszystkie wskazówki bezpieczeństwa i instrukcję.** Nieprzestrzeganie instrukcji i wskazówek bezpieczeństwa może wywołać porażenia prądem, niebezpieczeństwo pożaru lub ciężkie zranienia. **Proszę zachować na przyszłość wskazówki bezpieczeństwa i instrukcję.**

Proszę podjąć środki bezpieczeństwa dla ochrony własnej i osób przebywających w otoczeniu.

### 2.1 Ogólne przepisy bezpieczeństwa

- Zabrania się wprowadzania wszelkich zmian w urządzeniu. Modyfikacje wprowadzane w urządzeniu obniżają skuteczność zabezpieczeń i zwiększają ryzyko obrażeń.
- Nigdy nie używać urządzenia, jeśli jest ono uszkodzone.
- Aby unikać powstawania gazów, hałasu i wibracji zawsze podczas eksploatacji i konserwacji postępować zgodnie z zaleceniami umieszczonymi w instrukcji obsługi.
- Urządzenia pneumatyczne muszą się zawsze znajdować w miejscu niedostępnym dla dzieci.
- Urządzenie nie powinno pracować na biegu jałowym, ponieważ grozi to niekontrolowanym wyrzuceniem dłuta z urządzenia.

- Aby unikać powstawania gazów, hałasu i wibracji zawsze stosować materiały eksploatacyjne i narzędzia zgodnie z zaleceniami umieszczonymi w instrukcji obsługi.
- Systematycznie przeprowadzać konserwację urządzeń, aby sprawdzić, czy wartości pomiarów i oznaczenia wymagane przez normę ISO 11148 od danego urządzenia są umieszczone w czytelny sposób na urządzeniu. Aby w razie potrzeby otrzymać zapasowe oznaczenia urządzenia, personel lub użytkownik winien skontaktować się z producentem urządzenia.

### 2.2 Niebezpieczeństwo obrażeń przez elementy wyrzucone z urządzenia

- Przed rozpoczęciem prac konserwacyjnych, napraw, transportu urządzenia bądź wymianą dłuta odłączyć zasilanie sprężonym powietrzem i spuścić ciśnienie z urządzenia.
- Pamiętać o tym, że podczas pracy z przecinakiem odłamane fragmenty obrabianego przedmiotu, części osprzętu lub dłuta mogą zostać wyrzucone z dużą prędkością.
- Zawsze pracować w okularach ochronnych o odpowiedniej wytrzymałości. Stopień wymaganej ochrony powinien być zawsze osobno oceniony dla każdego przypadku użycia urządzenia.
- Podczas pracy nosić kask ochronny. Podczas pracy uwzględnić również zagrożenie dla osób postronnych wynikające ze spadających fragmentów obrabianego przedmiotu.
- Upewnić się, że przedmiot jest odpowiednio zamocowany.
- Sprawdzić, czy dłuto jest poprawnie zamocowane.
- Stosować wyłącznie odpowiednią sprężynę (5) (wchodzi w skład dostawy). Aby uniknąć obrażeń zawsze wymieniać sprężynę, jeśli się zużyła, złamała lub wygięła.
- Przed włączeniem urządzenia przystawić zamontowane dłuto do przedmiotu, który ma być poddany obróbce.
- Stosować tylko zalecane smary (patrz 7. Konserwacja i pielęgnacja).
- Podczas i po zakończeniu pracy nigdy nie

dotykać dłuta. Grozi to obrażeniami palców bądź dłoni. Dłuto może być gorące.

### 2.3 Zagrożenia podczas eksploatacji

- Podczas pracy z urządzeniem istnieje niebezpieczeństwo obrażeń w postaci tępych uderzeń, oparzeń, ran ciętych i otarć skóry. Nosić rękawice ochronne.
- Osoby pracujące z urządzeniem lub odpowiedzialne za jego konserwację muszą dysponować odpowiednią siłą fizyczną, aby móc posługiwać się urządzeniem biorąc pod uwagę jej rozmiar, wagę i moc.
- Nieoczekiwane ruchy maszyny lub złamanie się dłuta mogą być przyczyną ciężkich wypadków. Zawsze podczas pracy zachować stabilną i pewną postawę ciała, aby móc kontrolować nieoczekiwane ruchy urządzenia i zachować przy tym poprawną pozycję ciała.
- Jeżeli nastąpiła przerwa w dopływie powietrza zwolnić dźwignię spustową (2).
- Podczas pracy z przecinakami zawsze nosić odpowiednią odzież ochronną, zwłaszcza okulary ochronne o odpowiedniej wytrzymałości, ochronniki słuchu i rękawice ochronne.

### 2.4 Zagrożenia na skutek monottonnych ruchów

- Praca z przecinakami może być przyczyną dolegliwości w obszarze dłoni, rąk, ramion, karku lub innych części ciała.
- Aby uniknąć dolegliwości podczas pracy z urządzeniem zawsze zachować wygodną postawę ciała i zmieniać ją od czasu do czasu.
- Jeśli wystąpiły problemy z czuciem, mrowienie, ból lub bladeść skóry dłoni lub palców należy zakończyć pracę z urządzeniem i zwrócić się o pomoc lekarską.

### 2.5 Zagrożenie związane z elementami osprzętu

- Uwaga: Przed rozpoczęciem konserwacji lub napraw odłączyć urządzenie od zasilania sprężonym powietrzem.
- Stosować wyłącznie materiały eksploata-

cyjne oraz osprzęt, które pod względem rodzaju i wielkości odpowiadają zaleceniom producenta.

- Nie używać dłut jako narzędzi do prac ręcznych. Zostały one zaprojektowane wyłącznie do użytku z przecinakami.
- Używać wyłącznie ostrych dłut. Tępe dłuta wymagają do pracy wyższego ciśnienia, łatwo się łamią i zwiększają poziom wibracji.
- Nie schładzać rozgrzanych narzędzi wodą. Może to prowadzić do uszkodzeń.
- Nie używać dłuta do podważania innych przedmiotów.
- Podczas i po zakończeniu pracy nigdy nie dotykać dłuta. Grozi to obrażeniami palców bądź dłoni. Dłuto może być gorące.
- Nigdy nie używać uszkodzonych urządzeń. Uszkodzone części należy wymienić, aby uniknąć obrażeń.

### 2.6 Zagrożenia na miejscu pracy

- Najczęstszymi przyczynami obrażeń na miejscu pracy są poślizgnięcia, potknięcia i upadki. Zachować szczególną ostrożność gdy praca z urządzeniem powoduje zabrudzenie i zwiększenie śliskości podłoża. Uważać na przewód powietrza, aby się o niego nie potknąć.
- Zachować ostrożność ze względu na ukryte niebezpieczeństwa takie jak przewody elektryczne, gazowe i wodne.
- Urządzenie nie jest izolowane na wypadek kontaktu z przewodami elektrycznymi. Bezwzględnie unikać wszelkiego kontaktu z przewodami elektrycznymi. Urządzenie nie nadaje się do pracy w wybuchowej atmosferze.
- Urządzenie nie nadaje się do pracy w wybuchowej atmosferze: podczas pracy z urządzeniem może dojść do iskrzenia. Z tego powodu nigdy nie pracować z tym urządzeniem w pobliżu palnych cieczy, gazów i innych palnych materiałów.

## 2.7 Zagrożenia na skutek powstających pyłów i oparów

- W zależności od materiału który poddawany jest obróbce, może dojść do powstania pyłów i gazów stwarzających zagrożenie dla zdrowia użytkownika (np. rak, wady wrodzone płodu, astma i/lub stany zapalne skóry).
- Pracować tak, aby wypływające powietrze unosiło jak najmniejszą ilość pyłu.
- Nosić odpowiednią maskę przeciwpyłową, które spełnia obowiązujące przepisy bezpieczeństwa i przeznaczona jest do użycia w danym przypadku.

## 2.8 Zagrożenia na skutek hałasu

- Hałas może spowodować trwałe uszkodzenia słuchu. Brak ochrony przy oddziaływaniu wysokiego poziomu hałasu może spowodować utratę słuchu i inne problemy zdrowotne, jak np. tinnitus (brzęczenie, szumy, dzwonienie itp. w uszach). Stosować ochronniki słuchu.
- Aby utrzymać poziom powstającego hałasu i wibracji na jak najniższym poziomie stosować się do zamieszczonych w instrukcji obsługi wskazówek odnośnie konserwacji i użytkowania urządzenia. Hałas można zmniejszyć stosując materiał tłumiący drgania jako podkład np. podczas obróbki blachy.

## 2.9 Zagrożenia na skutek wibracji

- Oddziaływanie wibracji może spowodować uszkodzenia nerwów i zaburzenia krążenia krwi w rękach.
- Podczas pracy w chłodnym otoczeniu nosić ciepłą odzież. Ręce powinny być podczas pracy zawsze ciepłe i suche.
- Jeśli wystąpiły problemy z czuciem, mrowienie, ból lub bladeść skóry dłoni lub palców należy zakończyć pracę z urządzeniem i zwrócić się o pomoc lekarską.
- Nie trzymać wolną ręką zamocowanego w urządzeniu narzędzia, ponieważ zwiększa to obciążenie wibracjami.
- Trzymać urządzenie lekkim, ale pewnym chwytem i uwzględniając powstające siły reakcji. Trzymając urządzenie silnym chwytem

jest się wystawionym na zwiększone ryzyko wystąpienia dolegliwości na skutek wibracji.

## 2.10 Dodatkowe wskazówki bezpieczeństwa dla urządzeń pneumatycznych

- Sprężone powietrze może być przyczyną poważnych obrażeń.
- Przed rozpoczęciem prac konserwacyjnych, napraw, transportu urządzenia bądź wymianą dłuta odłączyć zasilanie sprężonym powietrzem i spuścić ciśnienie z urządzenia.
- Nigdy nie kierować strumienia powietrza do siebie lub w stronę innych osób.
- Poruszające się w niekontrolowany sposób węże mogą być przyczyną poważnych obrażeń. Z tego powodu należy zawsze sprawdzać, czy węże i ich mocowania nie zostały uszkodzone i się nie poluzowały.
- Aby uniknąć obrażeń na skutek niekontrolowanych ruchów węża odłączając szybkozłączkę zawsze mocno trzymać wąż w dłoni i nigdy nie stosować uszkodzonych złączek.
- Nigdy nie podkładać dłoni pod strumień zimnego powietrza.
- Na wlocie powietrza nie stosować złącz rurowych do szybkiego montażu. Stosować wyłącznie złącza węży z gwintem z hartowanej stali (lub z innego materiału o porównywalnej odporności na wstrząsy).
- W przypadku stosowania złączy obrotowych (złącza kłowe) konieczne jest zamontowanie trzpieni blokujących oraz systemu zabezpieczającego węży sprężonego powietrza w celu zabezpieczenia przed ewentualnymi nieprawidłowościami na złączach węży lub węża z narzędziem.
- Nie przekraczać dopuszczalnej wartości ciśnienia roboczego.
- Nie przenosić urządzeń pneumatycznych trzymając je za wąż.

### Proszę zachować wskazówki bezpieczeństwa.



### 3. Opis urządzenia i zakres dostawy

#### 3.1 Opis urządzenia (rys. 1/2)

1. Siłownik
2. Dźwignia spustowa
3. Śruba regulacji powietrza
4. Złączka wtykowa
5. Sprężyna
6. Dłuto płaskie (dłuto uniwersalne)
7. Dłuto spiczaste
8. Dłuto do usuwania nitów
9. Dłuto do cięcia blach
10. Dłuto do zgrzein punktowych
11. Specjalny olej do urządzeń pneumatycznych

#### 3.2 Zakres dostawy

- Otworzyć opakowanie i ostrożnie wyciągnąć urządzenie.
- Zdjąć opakowanie oraz zabezpieczenia do transportu (jeśli jest).
- Sprawdzić, czy dostawa jest kompletna.
- Sprawdzić, czy urządzenie i wyposażenie dodatkowe nie zostały uszkodzone w transporcie.
- W razie możliwości zachować opakowanie, aż do upływu czasu gwarancji.

#### Uwaga!

**Urządzenie i opakowanie nie są zabawkami! Dzieci nie mogą bawić się częściami z tworzywa sztucznego, folią i małymi elementami! Niebezpieczeństwo połamania i uduszenia się!**

- Młot udarowy – pneumatyczny
- Złącze wtykowe
- Sprężyna napinająca
- Zestaw dłut (5dłut)
- Specjalny olej pneumatyczny
- Oryginalna instrukcja obsługi

### 4. Użycie zgodne z przeznaczeniem

Przecinak jest urządzeniem pneumatycznym o szerokim zastosowaniu. Urządzenie przeznaczone jest m.in. do wycinania rowków, skuwania kafelków lub tynku, kucia w murach, do cięcia i ścinania blachy, odkuwania nitów i bolców. Urządzenie przeznaczone jest wyłącznie do użytku wewnątrz pomieszczeń.

Powietrze wychodzi z przodu urządzenia.

Urządzenia używać tylko zgodnie z jego przeznaczeniem. Każde użycie, odbiegające od opisanego w niniejszej instrukcji jest niezgodne z przeznaczeniem urządzenia. Za powstałe w wyniku niewłaściwego użytkownika szkody lub zranienia odpowiedzialność ponosi użytkownik / właściciel, a nie producent.

Proszę pamiętać o tym, że nasze urządzenie nie jest przeznaczone do zastosowania zawodowego, rzemieślniczego lub przemysłowego. Umowa gwarancyjna nie obowiązuje, gdy urządzenie było stosowane w zakładach rzemieślniczych, przemysłowych lub do podobnych działalności.

Naprawy i prace serwisowe mogą być przeprowadzane tylko przez autoryzowany serwis.

**Proszę pamiętać!**  
**Zbyt mała wewnętrzna średnica węża i zbyt długi wąż doprowadzają do utraty mocy urządzenia.**



## 5. Dane techniczne

Maks. dopuszczalne ciśnienie robocze: ...6,3 bar  
 Zużycie powietrza przy ciśnieniu 4,0/6,3 bar ..... ok. 250/ok. 460 l/min  
 Uchwyt dłuta (sześciokątny): ..... 10,2 mm  
 Skok: ..... 44 mm  
 Liczba uderzeń: ..... 4500 min<sup>-1</sup>  
 Zalecana średnica węża: ..... Ø 10 mm  
 Waga: ..... ok. 1,05 kg

### Hałas i wibracje

Wartość hałasu i wibracji zostały zbadane zgodnie z normą ISO 15744 i ISO 28927-10.

Poziom ciśnienia akustycznego  $L_{pA}$  ..... 84 dB(A)  
 Odchylenie  $K_{pA}$  ..... 3 dB  
 Poziom mocy akustycznej  $L_{WA}$  ..... 95 dB(A)  
 Odchylenie  $K_{WA}$  ..... 3 dB

### Nosić nauszniki ochronne.

Oddziaływanie hałasu może spowodować utratę słuchu.

### Wibracje

Wartość emisji drgań  $a_h = 9,5 \text{ m/s}^2$   
 Odchylenie  $K = 1,44 \text{ m/s}^2$

### Ostrzeżenie!

Podana wartość emisji drgań została zmierzona według znormalizowanych procedur i może się ulegać zmianom w zależności od sposobu używania urządzenia. W wyjątkowych przypadkach faktyczna emisja drgań może przewyższać podaną wartość.

Podana wartość emisji drgań może zostać zastosowana dla porównań między urządzeniami.

Podana wartość emisji drgań być może używana do wstępnego oszacowania negatywnego oddziaływania.

### Ograniczać powstawanie hałasu i wibracji do minimum!

- Używać wyłącznie urządzeń bez uszkodzeń.
- Regularnie czyścić urządzenie.
- Dopasować własny sposób pracy do urządzenia.
- Nie przeciążać urządzenia.
- W razie potrzeby kontrolować urządzenie.
- Nie włączać urządzenia, jeśli nie będzie używane.
- Nosić rękawice ochronne.

### Pozostałe zagrożenia

**Także w przypadku, gdy to narzędzie będzie obsługiwane zgodnie z instrukcją, zawsze zachodzi ryzyko powstania zagrożenia. W zależności od budowy i sposobu wykonania tego narzędzia mogą pojawić się następujące zagrożenia:**

1. Uszkodzenia płuc, w przypadku nie stosowania odpowiedniej maski przeciwpyłowej.
2. Uszkodzenia słuchu, w przypadku nie stosowania odpowiednich nauszników ochronnych.
3. Negatywny wpływ na zdrowie, w wyniku drgań ramion i dłoni, w przypadku, gdy urządzenie jest używane przez dłuższy czas lub w niewłaściwy sposób i bez przeglądów.

### Zasilanie powietrzem:

Przez źródło sprężonego powietrza z możliwością regulacji ciśnienia np. kompresor. Przed uruchomieniem proszę przeczytać także rozdz. 7 (Konserwacja i przegląd).

### Dane kompresora:

Zastosowany kompresor powinien mieć zbiornik o pojemności przynajmniej 50l, a moc silnika ok. 2,2 kW.

### Wartości ustawne do pracy:

Ustawić Państwa zasilanie w sprężone powietrze na max. ciśnienie robocze 6,3 bar.



## 6. Przed uruchomieniem

### Rys. 3

Przykręcić dołączone w zestawie złącze wtykowe(4) do podłączenia powietrza, po tym jak wcześniej 2-3 warstwy taśmy uszczelniającej zostały nawinięte na gwint. Wymagane dłuto należy nałożyć na uchwyt sześciokątny przecinaka. Przesunąć sprężynę napinającą (5) przez dłuto. Przykręcić sprężynę napinającą do gwintu cylindra (1), aż do oporu. Trzymać przy tym sprężynę napinającą na przednim uchwycie. Podłączyć młot do kompresora o odpowiedniej mocy, ewentualnie do sieci ciśnieniowej. Należy użyć do tego giętki wąż ciśnieniowy ( wewnątrz Ø 10 mm) z szybkozłączką. Zwracać przy tym uwagę na to, czy śruba regulująca powietrze (3) jest tak ustawiona, aby powietrze mogło przepływać. Poprowadzić młot w kierunku obrabianego przedmiotu. Przez włączenie dźwigni spustowej (2) młot zostaje uruchomiony.

Przed każdym użyciem przeprowadzić kontrolę stanu urządzenia i stosowanego narzędzia, sprawdzając przy tym również liczbę obrotów i poziom emisji dźwięku.

W celu wymiany dłuta należy oddzielić urządzenie od źródła ciśnienia. Przekręcić sprężynę napinającą trzymając ją na tylnym uchwycie, przed cylindrem młota. Teraz można wymienić dłuto, tak jak to zostało opisane powyżej. Od czasu do czasu trzon dłuta powinien być lekko naoliwiony normalną oliwą maszynową.

## 7. Konserwacja i pielęgnacja

**Uwaga:** Przed wykonaniem prac konserwacyjnych lub czyszczenia, odłączyć urządzenie do sprężonego powietrza.

Przestrzeganie poniższych wskazówek konserwacji zapewnia długotrwałą „żywość” oraz bezawaryjne użytkowanie tego produktu o wysokiej jakości. Urządzenie czyścić dokładnie zaraz po pracy.

Warunkiem długotrwałego i bezawaryjnego funkcjonowania przecinaka jest jego regularne smarowanie. Używać do tego tylko specjalnego oleju pneumatycznego, który jest zawarty w dostawie. Olej ten dostępny jest także w sklepach specjalistycznych.

**Wskazówka:** Używać oleju przyjaznego dla środowiska naturalnego, jeśli urządzenie jest używane poza warsztatami.

Poniżej, do wyboru możliwości naoliwienia:

### 7.1 przez olejarkę opryskową

Podłączyć między źródłem sprężonego powietrza, a śrubokrętem udarowym kompletną jednostkę konserwacyjną z olejarką opryskową. Jednostka konserwacyjna dostępna jest w handlu, a nie zawarta w dostawie.

### 7.2 ręcznie

Przed każdym użyciem narzędzia pneumatycznego wpuścić 3-5 kropli specjalnego oleju pneumatycznego w przyłącze ciśnieniowe. Jeśli urządzenie pneumatyczne pozostaje kilka dni nieużywane, przed uruchomieniem należy do podłączenia ciśnieniowego dodać 5-10 kropli oleju. Urządzenie pneumatyczne przechowywać tylko w suchych pomieszczeniach.

### 7.3 Pozostała konserwacja

Urządzenie nie posiada części wymagających konserwacji.

## 8. Gwarancji nie podlegają

- Części zużywające się
- uszkodzenia urządzenia powstałe na skutek użycia niedozwolonego ciśnienia roboczego
- uszkodzenia urządzenia powstałe na skutek użycia nieprzygotowanego ciśnienia
- uszkodzenia urządzenia spowodowane użyciem urządzenia niezgodnym z jego przeznaczeniem.

## 9. Czyszczenie i zamawianie części zamiennych

Uwaga: Przed rozpoczęciem konserwacji lub napraw odłączyć urządzenie od zasilania sprężonym powietrzem.

### 9.1 Czyszczenie

- Urządzenia zabezpieczające, szczeliny powietrza i obudowa silnika powinny być w miarę możliwości zawsze wolne od pyłu i zanieczyszczeń. Urządzenie wycierać czystą ściereczką lub przedmuchać sprężonym powietrzem o niskim ciśnieniu.
- Zaleca się czyszczenie urządzenia bezpośrednio po każdorazowym użyciu.
- Urządzenie czyścić regularnie wilgotną ściereczką z niewielką ilością szarego mydła. Nie używać żadnych środków czyszczących ani rozpuszczalników; mogą one uszkodzić części urządzenia wykonane z tworzywa sztucznego. Należy uważać, aby do wnętrza urządzenia nie dostała się woda.

### 9.2 Zamawianie części wymiennych:

Podczas zamawiania części zamiennych należy podać następujące dane:

- Typ urządzenia
- Numer artykułu urządzenia
- Numer identyfikacyjny urządzenia

Aktualne ceny artykułów i informacje znajdują się na stronie: [www.isc-gmbh.info](http://www.isc-gmbh.info)

## 10. Przechowywanie

Urządzenie i jego wyposażenie dodatkowe przechowywać z dala od dzieci, w ciemnym, suchym i wolnym od wilgoci pomieszczeniu. Optymalna temperatura przechowywania to od 5 do 30° C. Przechowywać urządzenie w oryginalnym opakowaniu.

## 11. Usuwanie odpadów i recycling

Aby zapobiec uszkodzeniom podczas transportu urządzenie znajduje się w opakowaniu. Opakowanie to jest surowcem, który można użytkować ponownie lub można przeznaczyć do powtórnego przerobu. Urządzenie oraz jego osprzęt składają się z różnych rodzajów materiałów, jak np. metal i tworzywa sztuczne. Uszkodzone elementy urządzenia proszę dostarczyć do punktu zbiorczego surowców wtórnych. Proszę poprosić o informację w sklepie specjalistycznym bądź w placówce samorządu lokalnego! Urządzenie winno zostać zutylizowane w taki sposób, aby nie powstały żadne zagrożenia dla osób bądź środowiska.

## 12. Deklaracja zgodności z normami

**Einhell Germany AG · Wiesenweg 22 · D-94405 Landau/Isar**



### Konformitätserklärung

**D** erklärt folgende Konformität gemäß EU-Richtlinie und Normen für Artikel  
**GB** explains the following conformity according to EU directives and norms for the following product  
**F** déclare la conformité suivante selon la directive CE et les normes concernant l'article  
**I** dichiara la seguente conformità secondo la direttiva UE e le norme per l'articolo  
**NL** verklaart de volgende overeenstemming conform EU richtlijn en normen voor het product  
**E** declara la siguiente conformidad a tenor de la directiva y normas de la UE para el artículo  
**P** declara a seguinte conformidade, de acordo com a directiva CE e normas para o artigo  
**DK** atterer følgende overensstemmelse i medfør af EU-direktiv samt standarder for artikel  
**S** förklarar följande överensstämmelse enl. EU-direktiv och standarder för artikeln  
**FIN** vakuuttaa, että tuote täyttää EU-direktiivin ja standardien vaatimukset  
**EE** tõendab toote vastavust EL direktiivile ja standarditele  
**CZ** vydává následující prohlášení o shodě podle směrnice EU a norem pro výrobek  
**SLO** potrjuje sledečo skladnost s smernico EU in standardi za izdelek  
**SK** vydáva nasledujúce prehlásenie o zhode podľa smernice EU a noriem pre výrobok  
**H** a cikkekhöz az EU-irányvonal és Normák szerint a következő konformitást jelenti ki

**PL** deklaruje zgodność wymienionego poniżej artykułu z następującymi normami na podstawie dyrektywy WE.  
**BG** декларира съответното съответствие съгласно Директива на ЕС и норми за артикул  
**LV** paskaidro šādu atbilstību ES direktīvai un standartiem  
**LT** apibūdina šį atitikimą EU reikalavimams ir prekės normoms  
**RO** declară următoarea conformitate conform directivei UE și normelor pentru articolul  
**GR** δηλώνει την ακόλουθη συμμόρφωση σύμφωνα με την Οδηγία ΕΚ και τα πρότυπα για το προϊόν  
**HR** potvrđuje sljedeću uskladenost prema smjernicama EU i normama za artikl  
**Izjava o sukladnosti za ovaj proizvod dostupna je na internet stranici www.lidl.hr.**  
**BIH** potvrđuje sljedeću uskladenost prema smjernicama EU i normama za artikl  
**RS** potvrđuje sledeću uskladenost prema smernicama EZ i normama za artikal  
**RUS** следующим удостоверяется, что следующие продукты соответствуют директивам и нормам ЕС  
**UKR** проголошує про зазначену нижче відповідність виробу директивам та стандартам ЄС на виріб  
**MK** ja izjavuva slednata soobrznost согласно EU-директивата и нормите за артикли  
**TR** Ürünü ile ilgili AB direktifleri ve normları gereğince aşağıda açıklanan uygunluğu belirtir  
**N** erklærer følgende samsvar i henhold til EU-direktiv og standarder for artikkel  
**IS** Lýsir uppfyllingu EU-reglna og annarra staðla vöru

### Druckluft-Meißelhammer PDMH 4500 A2 (Parkside)

- |   |  |
|---|--|
| <input type="checkbox"/> 87/404/EC_2009/105/EC  | <input checked="" type="checkbox"/> 2006/42/EC   |
| <input type="checkbox"/> 2005/32/EC_2009/125/EC | <input type="checkbox"/> Annex IV<br>Notified Body:<br>Notified Body No.:<br>Reg. No.:   |
| <input type="checkbox"/> 2006/95/EC             |  |
| <input type="checkbox"/> 2006/28/EC             | <input type="checkbox"/> 2000/14/EC_2005/88/EC   |
| <input type="checkbox"/> 2004/108/EC            | <input type="checkbox"/> Annex V   |
| <input type="checkbox"/> 2004/22/EC             | <input type="checkbox"/> Annex VI<br>Noise measured: L <sub>WA</sub> = dB (A); guaranteed L <sub>WA</sub> = dB (A)<br>P = KW; L/Ø = cm<br>Notified Body: |
| <input type="checkbox"/> 1999/5/EC              |  |
| <input type="checkbox"/> 97/23/EC               | <input type="checkbox"/> 2006/28/EC<br>Emission No.:   |
| <input type="checkbox"/> 90/396/EC_2009/142/EC  |  |
| <input type="checkbox"/> 89/686/EC_96/58/EC     |  |
| <input type="checkbox"/> 2011/65/EC             |  |

### Standard references: EN ISO 11148-4

Landau/Isar, den 11.01.2012

Weichselgartner/General-Manager

Yu Feng Qiang/Product-Management

**First CE: 12**  
**Art.No.:** 41.390.33 I.-No.: 11022  
**Subject to change without notice**

**Archive-File/Record:** NAPR004866  
**Documents registrar:** Siegfried Roider  
 Wiesenweg 22, D-94405 Landau/Isar

## 13. Gwarancja

Na opisywane w instrukcji obsługi urządzenie udzielamy 3-letniej gwarancji, na wypadek wadliwości naszego produktu. 3-letni okres gwarancyjny zaczyna obowiązywać w momencie przejścia ryzyka lub przejęcia urządzenia przez klienta.

Warunkiem skorzystania z uprawnień gwarancyjnych jest prawidłowa konserwacja urządzenia, zgodnie z instrukcją obsługi oraz użytkowanie zgodne z przeznaczeniem. Odnosi się to szczególnie do akumulatorów, na które udzielamy jednak 12-miesięcznej gwarancji.

Oczywiście w okresie tych 3 lat przysługują Państwu również uprawnienia gwarancyjne w ramach ustawowej rękojmi.

Gwarancja obowiązuje na terenie Republiki Federalnej Niemiec lub w kraju generalnego przedstawiciela handlowego, jako uzupełnienie obowiązujących lokalnie przepisów ustawowych. Prosimy zwrócić się do odpowiedzialnego pracownika w regionalnym dziale obsługi klienta lub pod podany poniżej adres serwisu technicznego.

**Einhell Polska sp. z o.o.**

Ul. Wymysłowskiego 1  
PL-55-080 Nowa Wieś Wrocłaska  
tel. +48 71 3603071, 76, 77, 78, 81, 85  
fax +48 71 3603066  
e-mail: [serwis@einhell.pl](mailto:serwis@einhell.pl)

IAN 73790



## Inhaltsverzeichnis

1. Einleitung .....	72
2. Sicherheitshinweise .....	72
3. Gerätebeschreibung und Lieferumfang .....	75
4. Bestimmungsgemäße Verwendung .....	75
5. Technische Daten .....	76
6. Vor Inbetriebnahme .....	77
7. Wartung und Pflege.....	77
8. Von der Garantie ausgeschlossen sind.....	78
9. Reinigung und Ersatzteilbestellung .....	78
10. Lagerung.....	78
11. Entsorgung und Wiederverwertung .....	78
12. Konformitätserklärung .....	79
13. Garantiekunde.....	80



Der Nachdruck oder sonstige Vervielfältigung von Dokumentation und Begleitpapieren der Produkte, auch auszugsweise, ist nur mit ausdrücklicher Zustimmung der iSC GmbH zulässig.

Technische Änderungen vorbehalten





DE/AT/CH



**Warnung** - Zur Verringerung des Verletzungsrisikos Bedienungsanleitung lesen



**Tragen Sie einen Gehörschutz.** Die Einwirkung von Lärm kann Hörverlust bewirken.



**Tragen Sie eine Schutzbrille.** Während der Arbeit entstehende Funken oder aus dem Gerät heraus-tretende Splitter, Späne und Stäube können Sichtverlust bewirken.



## 1. Einleitung

Herzlichen Glückwunsch zum Kauf Ihres neuen Gerätes.

Sie haben sich damit für ein hochwertiges Produkt entschieden. Die Bedienungsanleitung ist Bestandteil dieses Produkts. Sie enthält wichtige Hinweise für Sicherheit, Gebrauch und Entsorgung. Machen Sie sich vor der Benutzung des Produkts mit allen Bedien- und Sicherheitshinweisen vertraut. Benutzen Sie das Produkt nur wie beschrieben und für die angegebenen Einsatzbereiche. Händigen Sie alle Unterlagen bei Weitergabe des Produkts an Dritte mit aus.

## 2. Sicherheitshinweise

### **Warnung**

**Lesen Sie alle Sicherheitshinweise und Anweisungen.** Versäumnisse bei der Einhaltung der Sicherheitshinweise und Anweisungen können elektrischen Schlag, Brand und/oder schwere Verletzungen verursachen. **Bewahren Sie alle Sicherheitshinweise und Anweisungen für die Zukunft auf.**

Schützen Sie sich und Ihre Umwelt durch geeignete Vorsichtsmaßnahmen vor Unfallgefahren.

### **2.1 Allgemeine Sicherheitsregeln**

- Das Gerät darf nicht verändert werden. Veränderungen verringern die Wirksamkeit der Sicherheitsmaßnahmen und erhöhen das Verletzungsrisiko.
- Verwenden Sie niemals ein beschädigtes Gerät
- Benutzen und warten Sie das Gerät wie in der Betriebsanleitung empfohlen, um Stäube oder Gase, Lärm und Vibrationen zu minimieren.
- Druckluftwerkzeuge vor Kindern sichern.
- Betreiben Sie das Gerät nicht im Leerlauf, um ein unkontrolliertes Wegschleudern des Meißels zu vermeiden.
- Benutzen Sie Verbrauchsmaterialien und das Maschinenwerkzeug wie in der Betriebsanleitung beschrieben, um Stäube oder Gase, Lärm und Vibrationen zu minimieren.

- Die Maschinen sind regelmäßig zu warten, um zu überprüfen, dass die vom vorliegenden Teil von ISO 11148 erforderten Bemessungswerte und Kennzeichnungen lesbar auf der Maschine gekennzeichnet sind. Der Angestellte/Benutzer muss den Hersteller kontaktieren, um Ersatzetiketten zur Kennzeichnung zu erhalten, wenn dies notwendig ist.

### **2.2 Gefährdungen durch**

#### **herausgeschleuderte Teile**

- Trennen Sie den Druckluftanschluss und setzen Sie das Gerät drucklos, bevor Sie das Gerät warten, reparieren, transportieren oder einen Meißelwechsel durchführen möchten.
- Beachten Sie, dass beim Meißeln Bruchstücke des Werkstücks, von Zubehörteilen oder des eingesetzten Meißels sehr schnell abfliegen können.
- Tragen Sie immer eine einschlagsichere Schutzbrille. Der Grad des erforderlichen Schutzes sollte für jeden einzelnen Einsatz gesondert bewertet werden.
- Tragen Sie bei Arbeiten über Kopf einen Schutzhelm. Beachten Sie dabei auch die Gefährdung anderer Personen durch herabfallende Werkstückteile.
- Vergewissern Sie sich, dass das Werkstück sicher fixiert ist.
- Überzeugen Sie sich, dass der verwendete Meißel sicher befestigt ist.
- Verwenden Sie nur eine passende Spannfeder (5) (Im Lieferumfang enthalten). Ersetzen Sie die Spannfeder, wenn diese abgenutzt, gebrochen oder verbogen ist, um Verletzungen zu vermeiden.
- Halten Sie den eingesetzten Meißel gegen das Werkstück bevor Sie das Gerät aktivieren.
- Verwenden Sie nur das empfohlene Schmiermittel (s. 7. Wartung und Pflege).
- Berühren Sie niemals den Meißel, während und nach dem Betrieb des Gerätes. Finger bzw. Hände könnten verletzt werden. Der Meißel kann heiß werden.



### 2.3 Gefährdungen im Betrieb

- Die Verwendung des Gerätes kann Prellungen, Abschürfung, Schnitte und Verbrennungen verursachen. Tragen Sie Handschuhe.
- Die Bediener und das Wartungspersonal müssen physisch in der Lage sein, die Größe, das Gewicht und die Leistung der Maschine zu handhaben.
- Unerwartete Bewegungen der Maschine oder der Bruch des Meißels können zu schweren Unfällen führen. Achten Sie deshalb stets auf einen sicheren und festen Stand, damit Sie auch bei unerwarteten Bewegungen das Gerät kontrollieren und Ihre Arbeitshaltung beibehalten können.
- Lassen Sie den Abzugshebel (2) bei einer Unterbrechung der Luftzufuhr los.
- Tragen Sie beim Arbeiten mit dem Meißelhammer die jeweilig erforderliche Schutzkleidung, insbesondere einschlagsichere Schutzbrille, Gehörschutz und Schutzhandschuhe.

### 2.4 Gefährdungen durch wiederholte Bewegungen

- Arbeiten mit dem Meißelhammer kann zu Beschwerden in den Händen, Armen, Schultern, Nacken oder anderen Körperteilen führen.
- Achten Sie während der Benutzung des Gerätes auf eine angenehme Körperhaltung und wechseln sie diese um Beschwerden zu vermeiden.
- Beenden Sie die Benutzung des Gerätes, wenn Sie Taubheitsgefühl, Kribbeln, Schmerzen oder Aufhellen der Haut in den Fingern oder Händen erfahren und konsultieren Sie einen Arzt.

### 2.5 Gefährdungen durch Zubehörteile

- Achtung: Trennen Sie das Gerät vom Druckluftnetz bevor Sie Wartungs- und Reinigungsarbeiten durchführen.
- Verwenden Sie nur Größen und Arten von Zubehör und Verbrauchsmaterialien, die vom Hersteller empfohlen werden.
- Verwenden Sie die Meißel nicht als Handwerkzeug. Diese wurden speziell für den Einsatz zusammen mit einem Meißelhammer entworfen.

- Verwenden Sie nur scharfe Meißel, da stumpfe Meißel einen höheren Druck benötigen und brechen können, sowie die Vibration erhöhen.
- Kühlen Sie heiße Werkzeuge nicht in Wasser. Dies kann zu Beschädigungen führen.
- Verwenden Sie die Meißel nicht als Hebelwerkzeug.
- Berühren Sie niemals den Meißel, während und nach dem Betrieb des Gerätes. Finger bzw. Hände könnten verletzt werden. Der Meißel kann heiß werden.
- Verwenden Sie keine defekten Geräte. Ersetzen sie defekte Teile um Verletzungen zu vermeiden.

### 2.6 Gefährdungen am Arbeitsplatz

- Ausrutschen, Stolpern und Stürze sind die Hauptursachen von Verletzungen am Arbeitsplatz. Achten Sie auf rutschigem Untergrund der durch den Einsatz des Werkzeugs verursacht wird und auch auf Stolperfallen durch den Luftschlauch.
- Vorsicht vor versteckten Gefahren wie elektrische Leitungen oder Gas- und Wasserleitungen.
- Dieses Gerät ist bei einer Berührung mit einer elektrischen Leitung nicht isoliert. Vermeiden Sie unbedingt jegliche Berührung mit elektrischen Leitungen. Das Gerät ist nicht geeignet zur Verwendung in explosionsfähigen Atmosphären.
- Das Gerät ist nicht geeignet zur Verwendung in explosionsfähigen Atmosphären: Beim Arbeiten mit diesem Gerät können Funken entstehen. Arbeiten Sie deshalb mit diesem Gerät niemals in der Nähe von brennbaren Materialien, Flüssigkeiten oder Gasen

### 2.7 Gefährdungen durch Staub und Dämpfe

- Abhängig vom zu bearbeitenden Material können Stäube und Gase gesundheitsgefährdend für die Bedienperson sein (z. B. Krebs, Geburtsschäden, Asthma und / oder Dermatitis).
- Achten Sie darauf, dass ausströmende Luft so wenig Staub wie möglich aufwirbelt.
- Tragen Sie eine geeignete Staubschutzmaske,

die dem Anwendungsfall und den allgemein gültigen Sicherheitsregeln entspricht.

## 2.8 Gefährdungen durch Lärm

- Lärm kann bleibende Gehörschäden verursachen. Die ungeschützte Aussetzung von hohen Lärmpegeln kann zu Hörverlust und anderen Problemen, wie Tinnitus (Klingeln, Summen, Pfeifen oder Brummen in den Ohren) führen. Tragen Sie einen Gehörschutz.
- Um den entstehenden Lärm und Vibration so gering wie möglich zu halten, folgen Sie den in der Anleitung beschriebenen Wartungs- und Anwendungshinweisen. Schwingungsdämpfendes Material als Zwischenlage zum Beispiel bei der Blechbearbeitung kann ebenfalls Lärm verringern.

## 2.9 Gefährdungen durch Schwingungen

- Die Einwirkung von Schwingungen kann Schädigungen an den Nerven und Störungen der Blutzirkulation in Händen und Armen verursachen.
- Tragen Sie warme Kleidung, wenn Sie in kalter Umgebung arbeiten. Halten Sie Ihre Hände warm und trocken.
- Beenden Sie die Benutzung des Geräts, wenn Sie Taubheitsgefühl, Kribbeln, Schmerzen oder Aufhellen der Haut in den Fingern oder Händen erfahren und konsultieren Sie einen Arzt.
- Halten Sie das Einsatzwerkzeug nicht mit der freien Hand, da es zu erhöhter Vibrationsbelastung führt.
- Halten Sie das Gerät mit leichtem aber sicherem Griff, beachten Sie dabei die auftretenden Reaktionskräfte. Das Risiko von Beschwerden durch Vibration ist bei festerem Griff grundsätzlich höher.

## 2.10 Zusätzliche Sicherheitsanweisungen für pneumatische Maschinen

- Druckluft kann zu ernsten Verletzungen führen.
- Trennen Sie den Druckluftanschluss und setzen Sie das Gerät drucklos, bevor Sie das Gerät warten, reparieren, transportieren oder einen Meißelwechsel durchführen möchten.

- Richten Sie den Luftstrom niemals auf sich selbst oder gegen andere Personen.
- Umherschlagende Schläuche können ernsthafte Verletzungen verursachen. Überprüfen Sie daher immer, ob die Schläuche und ihre Befestigungsmittel unbeschädigt sind und sich nicht gelöst haben.
- Halten Sie beim Lösen der Schnellkupplung den Schlauch fest in der Hand und verwenden Sie keine defekten Anschlüsse um Verletzungen, hervorgerufen durch einen herumschlagenden Druckluftschlauch, zu vermeiden.
- Lassen Sie kalte Luft nicht über die Hand strömen.
- Verwenden Sie keine Schnellverschluss-Kupplungen am Lufteinlass. Benutzen Sie Schlauchanschlüsse mit Gewinde aus gehärtetem Stahl (oder einem Material mit vergleichbarem Erschütterungswiderstand).
- Wenn universelle Dreh-Kupplungen (Klaenkupplung) verwendet werden, müssen Arretierstifte installiert und ein Rückhaltesystem für Druckluftschläuche verwendet werden, um Schutz gegen mögliche „Schlauch an Werkzeug“ oder „Schlauch an Schlauch“ Fehlverbindungen zu bieten
- Den maximal zulässigen Arbeitsdruck nicht überschreiten.
- Tragen Sie Druckluftwerkzeuge nicht am Schlauch.

**Bewahren Sie die Sicherheitshinweise gut auf.**

### 3. Gerätebeschreibung und Lieferumfang

#### 3.1 Gerätebeschreibung (Bild 1/2)

1. Zylinder
2. Abzugshebel
3. Luftregulierschraube
4. Stecknippel
5. Spannfeder
6. Flachmeißel (Universalmeißel)
7. Spitzmeißel
8. Niettrennmeißel
9. Trennmeißel (Blechmeißel)
10. Punktschweißtrennmeißel
11. Spezial-Druckluftöl

#### 3.2 Lieferumfang

- Öffnen Sie die Verpackung und nehmen Sie das Gerät vorsichtig aus der Verpackung.
- Entfernen Sie das Verpackungsmaterial sowie Verpackungs- / und Transportsicherungen (falls vorhanden).
- Überprüfen Sie, ob der Lieferumfang vollständig ist.
- Kontrollieren Sie das Gerät und die Zubehörteile auf Transportschäden.
- Bewahren Sie die Verpackung nach Möglichkeit bis zum Ablauf der Garantiezeit auf.

#### Achtung!

**Gerät und Verpackungsmaterial sind kein Kinderspielzeug! Kinder dürfen nicht mit Kunststoffbeuteln, Folien und Kleinteilen spielen! Es besteht Verschluckungs- und Erstickungsgefahr!**

- Druckluft-Meißelhammer
- Stecknippel
- Spannfeder
- Meißelsatz (5 Meißel)
- Spezial-Druckluftöl
- Originalbetriebsanleitung

### 4. Bestimmungsgemäße Verwendung

Der Meißelhammer ist ein druckluftbetriebenes Werkzeug für den vielseitigen Einsatz. Er eignet sich z. B. für Schlitzarbeiten, zum Abschlagen von Fliesen oder Putz, für Mauerdurchbrüche, zum Trennen oder Schneiden von Blechen und zum Abschlagen von Bolzen und Nieten. Benutzen Sie das Gerät nur in Innenräumen.

Die Abluft tritt am Gehäuse nach vorne aus.

Die Maschine darf nur nach ihrer Bestimmung verwendet werden. Jede weitere darüber hinausgehende Verwendung ist nicht bestimmungsgemäß. Für daraus hervorgerufene Schäden oder Verletzungen aller Art haftet der Benutzer/Bediener und nicht der Hersteller.

Bitte beachten Sie, dass unsere Geräte bestimmungsgemäß nicht für den gewerblichen, handwerklichen oder industriellen Einsatz konstruiert wurden. Wir übernehmen keine Gewährleistung, wenn das Gerät in Gewerbe-, Handwerks- oder Industriebetrieben sowie bei gleichzusetzenden Tätigkeiten eingesetzt wird.

Reparaturen und Service nur von autorisierten Fachwerkstätten ausführen lassen.

#### Beachten Sie!

**Zu geringe Schlauch-Innendurchmesser und zu lange Schlauchleitung führen zu Leistungsverlust am Gerät.**

## 5. Technische Daten

max. zulässiger Arbeitsdruck: ..... 6,3 bar  
 Luftverbrauch bei  
 4,0/6,3 bar: ..... ca. 250/ca. 460 l/min  
 Meißelaufnahme (6-kant): ..... 10,2 mm  
 Hub: ..... 44 mm  
 Schlagzahl: ..... 4500 min<sup>-1</sup>  
 empfohlener Schlauchdurchmesser: ..... Ø 10 mm  
 Gewicht: ..... ca. 1,05 kg

### Geräusch und Vibration

Die Geräusch- und Vibrationswerte wurden entsprechend ISO 15744 und ISO 28927-10 ermittelt.

Schalldruckpegel  $L_{pA}$  ..... 84 dB(A)  
 Unsicherheit  $K_{pA}$  ..... 3 dB  
 Schallleistungspegel  $L_{WA}$  ..... 95 dB(A)  
 Unsicherheit  $K_{WA}$  ..... 3 dB

### Tragen Sie einen Gehörschutz.

Die Einwirkung von Lärm kann Gehörverlust bewirken.

### Vibrationen

Schwingungsemissionswert  $a_h = 9,5 \text{ m/s}^2$   
 Unsicherheit  $K = 1,44 \text{ m/s}^2$

### Zusätzliche Informationen

#### Warnung!

Der angegebene Schwingungsemissionswert ist nach einem genormten Prüfverfahren gemessen worden und kann sich, abhängig von der Art und Weise, in der das Gerät verwendet wird, ändern und in Ausnahmefällen über dem angegebenen Wert liegen.

Der angegebene Schwingungsemissionswert kann zum Vergleich eines Gerätes mit einem anderen verwendet werden.

Der angegebene Schwingungsemissionswert kann auch zu einer einleitenden Einschätzung der Beeinträchtigung verwendet werden.

### Beschränken Sie die Geräuschentwicklung und Vibration auf ein Minimum!

- Verwenden Sie nur einwandfreie Geräte.
- Warten und reinigen Sie das Gerät regelmäßig.
- Passen Sie Ihre Arbeitsweise dem Gerät an.
- Überlasten Sie das Gerät nicht.
- Lassen Sie das Gerät gegebenenfalls überprüfen.
- Schalten Sie das Gerät aus, wenn es nicht benutzt wird.
- Tragen Sie Handschuhe.

### Restrisiken

**Auch wenn Sie dieses Gerät vorschriftsmäßig bedienen, bleiben immer Restrisiken bestehen. Folgende Gefahren können im Zusammenhang mit der Bauweise und Ausführung dieses Gerätes auftreten:**

1. Lungenschäden, falls keine geeignete Staubschutzmaske getragen wird.
2. Gehörschäden, falls kein geeigneter Gehörschutz getragen wird.
3. Gesundheitsschäden, die aus Hand-Arm-Schwingungen resultieren, falls das Gerät über einen längeren Zeitraum verwendet wird oder nicht ordnungsgemäß geführt und gewartet wird.

### Luftversorgung:

Über eine Druckluftquelle mit Druckeinstellmöglichkeit wie z.B. Kompressor. Lesen Sie vor Inbetriebnahme auch den Absatz 7. (Wartung und Pflege).

### Leistungsgröße des Kompressors:

Der verwendete Kompressor sollte mindestens ein Kesselvolumen von 50 Liter und eine Motorleistung von ca. 2,2 kW haben.

### Einstellwerte für das Arbeiten:

Stellen Sie an Ihrer Druckluftversorgung maximal einen Arbeitsdruck von 6,3 bar ein.



## 6. Vor Inbetriebnahme

### Bild 3

Schrauben Sie den mitgelieferten Stecknippel (4) in den Luftanschluss, nachdem Sie zuvor 2-3 Lagen Dichtband auf das Gewinde aufgewickelt haben. Stecken Sie den gewünschten Meißel in die Sechskantaufnahme des Meißelhammers ein. Schieben Sie die Spannfeder (5) über den Meißel. Drehen Sie die Spannfeder auf das Gewinde des Zylinders (1) bis zum Anschlag fest. Halten Sie dabei die Spannfeder am vorderen Haltebügel.

Schließen Sie den Meißelhammer an einen leistungsgerechten Kompressor bzw. Druckluftnetz an. Benutzen Sie dazu einen flexiblen Druckluftschlauch (Ø 10 mm innen) mit Schnellkupplung. Achten Sie darauf, dass die Luftregulierschraube (3) so eingestellt ist, dass Luft durchströmen kann. Führen Sie den Meißelhammer an das zu bearbeitende Objekt heran. Durch Betätigen des Abzughebels (2) wird der Meißelhammer in Betrieb genommen.

Überprüfen Sie vor jedem Gebrauch das Gerät und Einsatzwerkzeug, dies schließt auch eine Überprüfung der Drehzahl und des Schwingungspegels ein.

Zum Wechseln des Meißels trennen Sie das Gerät von der Druckluftquelle. Drehen Sie die Spannfeder, indem Sie diese am hinteren Bügel halten, vom Zylinder des Meißelhammers. Jetzt kann der Meißel, wie oben beschrieben, gewechselt werden.

Von Zeit zu Zeit sollte der Meißelschaft leicht mit normalem Schmierfett eingefettet werden.

## 7. Wartung und Pflege

**Achtung:** Trennen Sie das Gerät vom Druckluftnetz bevor Sie Wartungs- und Reinigungsarbeiten durchführen.

Die Einhaltung der hier angegebenen Wartungshinweise sichert für dieses Qualitätsprodukt eine lange Lebensdauer und einen störungsfreien Betrieb zu.

Reinigen Sie das Gerät gründlich und sofort nach der Arbeit.

Für eine dauerhafte einwandfreie Funktion Ihres Meißelhammers ist eine regelmäßige Schmierung Voraussetzung. Verwenden Sie hierfür nur Spezial-Druckluftöl, welches im Lieferumfang enthalten ist. Spezial-Druckluftöl erhalten Sie auch im Fachhandel.

**Hinweis:** Verwenden Sie umweltverträgliches Druckluftöl, wenn das Gerät außerhalb von Werkstätten benutzt wird.

Folgende Möglichkeiten stehen Ihnen in Sachen Schmierung zur Auswahl:

### 7.1 über einen Nebelöler

Schalten Sie zwischen der Druckluftquelle und dem Meißelhammer eine komplette Wartungseinheit mit Nebelöler. Eine Wartungseinheit ist im Fachhandel erhältlich und nicht im Lieferumfang enthalten.

### 7.2 von Hand

Vor jeder Inbetriebnahme des Druckluft-Werkzeuges 3-5 Tropfen Spezial-Druckluftöl in den Druckluftanschluss geben. Ist das Druckluftwerkzeug mehrere Tage außer Betrieb, müssen Sie vor dem Einschalten 5-10 Tropfen Spezial-Druckluftöl in den Druckluftanschluss geben. Lagern Sie Ihr Druckluftwerkzeug nur in trockenen Räumen.

### 7.3 Sonstige Wartung

Im Geräteinneren befinden sich keine weiteren zu wartenden Teile.

## 8. Von der Garantie ausgeschlossen sind

- Verschleißteile
- Schäden durch unzulässigen Arbeitsdruck.
- Schäden durch nicht aufbereitete Druckluft.
- Schäden, hervorgerufen durch unsachgemäßen Gebrauch oder Fremdeingriff.

## 9. Reinigung und Ersatzteilbestellung

Achtung: Trennen Sie das Gerät vom Druckluftnetz bevor Sie Wartungs- und Reinigungsarbeiten durchführen.

### 9.1 Reinigung

- Halten Sie Schutzvorrichtungen, Luftschlitze und Motorenhäuser so staub- und schmutzfrei wie möglich. Reiben Sie das Gerät mit einem sauberen Tuch ab oder blasen Sie es mit Druckluft bei niedrigem Druck aus.
- Wir empfehlen, dass Sie das Gerät direkt nach jeder Benutzung reinigen.
- Reinigen Sie das Gerät regelmäßig mit einem feuchten Tuch und etwas Schmierseife. Verwenden Sie keine Reinigungs- oder Lösungsmittel; diese könnten die Kunststoffteile des Gerätes angreifen. Achten Sie darauf, dass kein Wasser in das Geräteinnere gelangen kann.

### 9.2 Ersatzteilbestellung:

Bei der Ersatzteilbestellung sollten folgende Angaben gemacht werden;

- Typ des Gerätes
- Artikelnummer des Gerätes
- Ident-Nummer des Gerätes

Aktuelle Preise und Infos finden Sie unter [www.isc-gmbh.info](http://www.isc-gmbh.info)

## 10. Lagerung

Lagern Sie das Gerät und dessen Zubehör an einem dunklen, trockenen und frostfreiem sowie für Kinder unzugänglichem Ort. Die optimale Lagertemperatur liegt zwischen 5 und 30 °C. Bewahren Sie das Gerät in der Originalverpackung auf.

## 11. Entsorgung und Wiederverwertung

Das Gerät befindet sich in einer Verpackung um Transportschäden zu verhindern. Diese Verpackung ist Rohstoff und ist somit wieder verwendbar oder kann dem Rohstoffkreislauf zurückgeführt werden. Das Gerät und dessen Zubehör bestehen aus verschiedenen Materialien, wie z.B. Metall und Kunststoffe. Führen Sie defekte Bauteile der Sondermüllentsorgung zu. Fragen Sie im Fachgeschäft oder in der Gemeindeverwaltung nach! Die Entsorgung, muss so erfolgen, dass keine Gefährdungen für Personen und Umwelt entstehen.

## 12. Konformitätserklärung

**Einhell Germany AG · Wiesenweg 22 · D-94405 Landau/Isar**



### Konformitätserklärung

- D** erklärt folgende Konformität gemäß EU-Richtlinie und Normen für Artikel
- GB** explains the following conformity according to EU directives and norms for the following product
- F** déclare la conformité suivante selon la directive CE et les normes concernant l'article
- I** dichiara la seguente conformità secondo la direttiva UE e le norme per l'articolo
- NL** verklaart de volgende overeenstemming conform EU richtlijn en normen voor het product
- E** declara la siguiente conformidad a tenor de la directiva y normas de la UE para el artículo
- P** declara a seguinte conformidade, de acordo com a directiva CE e normas para o artigo
- DK** attesterer følgende overensstemmelse i medfør af EU-direktiv samt standarder for artikel
- S** förklarar följande överensstämmelse enl. EU-direktiv och standarder för artikeln
- FIN** vakuuttaa, että tuote täyttää EU-direktiivin ja standardien vaatimukset
- EE** tõendab toote vastavust EL direktiivile ja standarditele
- CZ** vyžadává následující prohlášení o shodě podle směrnice EU a norem pro výrobek
- SLO** potrjuje sledečo skladnost s smernico EU in standardi za izdelek
- SK** vyžadáva nasledujúce prehlásenie o zhode podľa smernice EÚ a noriem pre výrobok
- H** a cikkekhöz az EU-irányvonal és Normák szerint a következő konformitást jelenti ki
- PL** deklaruje zgodność wymienionego poniżej artykułu z następującymi normami na podstawie dyrektywy WE.
- BG** декларира съответното съответствие съгласно Директива на ЕС и норми за артикул
- LV** paskaidro šādu atbilstību ES direktīvai un standartiem
- LT** apibūdina šį atitikimą EU reikalavimams ir prekės normoms
- RO** declară următoarea conformitate conform directivei UE și normelor pentru articolul
- GR** δηλώνει την ακόλουθη συμμόρφωση σύμφωνα με την Οδηγία ΕΚ και τα πρότυπα για το προϊόν
- HR** potvrđuje sljedeću uskladenost prema smjernicama EU i normama za artikl
- BIH** potvrđuje sljedeću uskladenost prema smjernicama EU i normama za artikl
- RS** potvrđuje sledeću uskladenost prema smernicama EZ i normama za artikal
- RUS** следующим удостоверяется, что следующие продукты соответствуют директивам и нормам ЕС
- UKR** проголошує про зазначену нижче відповідність виробу директивам та стандартам ЄС на виріб
- MK** ja izjavuva slednata soobrznost согласно EУ-директивата и нормите за артикли
- TR** Ürünü ile ilgili AB direktifleri ve normları gereğince aşağıda açıklanan uygunluğu belirtir
- N** erklærer følgende samsvar i henhold til EU-direktiv og standarder for artikkel
- IS** Lýsir uppfyllingu EU-reglna og annarra staðla vöru

### Druckluft-Meißelhammer PDMH 4500 A2 (Parkside)

- |   |  |
|---|--|
| <input type="checkbox"/> 87/404/EC_2009/105/EC  | <input checked="" type="checkbox"/> 2006/42/EC   |
| <input type="checkbox"/> 2005/32/EC_2009/125/EC | <input type="checkbox"/> Annex IV<br>Notified Body:<br>Notified Body No.:<br>Reg. No.:   |
| <input type="checkbox"/> 2006/95/EC             |  |
| <input type="checkbox"/> 2006/28/EC             | <input type="checkbox"/> 2000/14/EC_2005/88/EC   |
| <input type="checkbox"/> 2004/108/EC            | <input type="checkbox"/> Annex V   |
| <input type="checkbox"/> 2004/22/EC             | <input type="checkbox"/> Annex VI<br>Noise measured: L <sub>WA</sub> = dB (A); guaranteed L <sub>WA</sub> = dB (A)<br>P = KW; L/Ø = cm |
| <input type="checkbox"/> 1999/5/EC              | Notified Body:   |
| <input type="checkbox"/> 97/23/EC               | <input type="checkbox"/> 2006/28/EC<br>Emission No.:   |
| <input type="checkbox"/> 90/396/EC_2009/142/EC  |  |
| <input type="checkbox"/> 89/686/EC_96/58/EC     |  |
| <input type="checkbox"/> 2011/65/EC             |  |

### Standard references: EN ISO 11148-4

Landau/Isar, den 11.01.2012

Weichselgartner/General-Manager

Yu Feng Qiang/Product-Management

First CE: 12

Art.-No.: 41.390.33 I.-No.: 11022

Subject to change without notice

Archive-File/Record: NAPR004866

Documents registrar: Siegfried Roider

Wiesenweg 22, D-94405 Landau/Isar

## 13. Garantieurkunde

Sehr geehrte Kundin, sehr geehrter Kunde, unsere Produkte unterliegen einer strengen Qualitätskontrolle. Sollte dieses Gerät dennoch einmal nicht einwandfrei funktionieren, bedauern wir dies sehr und bitten Sie, sich an unseren Servicedienst unter der auf dieser Garantiekarte angegebenen Adresse zu wenden. Gern stehen wir Ihnen auch telefonisch über die unten angegebene Servicenummer zur Verfügung. Für die Geltendmachung von Garantieansprüchen gilt folgendes:

1. Diese Garantiebedingungen regeln zusätzliche Garantieleistungen. Ihre gesetzlichen Gewährleistungsansprüche werden von dieser Garantie nicht berührt. Unsere Garantieleistung ist für Sie kostenlos.
2. Die Garantieleistung erstreckt sich ausschließlich auf Mängel, die auf Material- oder Herstellungsfehler zurückzuführen sind und ist auf die Behebung dieser Mängel bzw. den Austausch des Gerätes beschränkt. Bitte beachten Sie, dass unsere Geräte bestimmungsgemäß nicht für den gewerblichen, handwerklichen oder industriellen Einsatz konstruiert wurden. Ein Garantievertrag kommt daher nicht zustande, wenn das Gerät in Gewerbe-, Handwerks- oder Industriebetrieben sowie bei gleichzusetzenden Tätigkeiten eingesetzt wird. Von unserer Garantie sind ferner Ersatzleistungen für Transportschäden, Schäden durch Nichtbeachtung der Montageanleitung oder aufgrund nicht fachgerechter Installation, Nichtbeachtung der Gebrauchsanleitung (wie durch z.B. Anschluss an eine falsche Netzspannung oder Stromart), missbräuchliche oder unsachgemäße Anwendungen (wie z.B. Überlastung des Gerätes oder Verwendung von nicht zugelassenen Einsatzwerkzeugen oder Zubehör), Nichtbeachtung der Wartungs- und Sicherheitsbestimmungen, Eindringen von Fremdkörpern in das Gerät (wie z.B. Sand, Steine oder Staub), Gewaltanwendung oder Fremdeinwirkungen (wie z. B. Schäden durch Herunterfallen) sowie durch verwendungsgemäßen, üblichen Verschleiß ausgeschlossen. Dies gilt insbesondere für Akkus, auf die wir dennoch eine Garantiezeit von 12 Monaten gewähren. Der Garantieanspruch erlischt, wenn an dem Gerät bereits Eingriffe vorgenommen wurden.
3. Die Garantiezeit beträgt 3 Jahre und beginnt mit dem Kaufdatum des Gerätes. Garantieansprüche sind vor Ablauf der Garantiezeit innerhalb von zwei Wochen, nachdem Sie den Defekt erkannt haben, geltend zu machen. Die Geltendmachung von Garantieansprüchen nach Ablauf der Garantiezeit ist ausgeschlossen. Die Reparatur oder der Austausch des Gerätes führt weder zu einer Verlängerung der Garantiezeit noch wird eine neue Garantiezeit durch diese Leistung für das Gerät oder für etwaige eingebaute Ersatzteile in Gang gesetzt. Dies gilt auch bei Einsatz eines Vor-Ort-Services.
4. Für die Geltendmachung Ihres Garantieanspruches übersenden Sie bitte das defekte Gerät portofrei an die unten angegebene Adresse. Fügen Sie den Verkaufsbeleg im Original oder einen sonstigen datierten Kaufnachweis bei. Bitte bewahren Sie deshalb den Kassenbon als Nachweis gut auf! Beschreiben Sie uns bitte den Reklamationsgrund möglichst genau. Ist der Defekt des Gerätes von unserer Garantieleistung erfasst, erhalten Sie umgehend ein repariertes oder neues Gerät zurück.

Selbstverständlich beheben wir gegen Erstattung der Kosten auch gerne Defekte am Gerät, die vom Garantiumfang nicht oder nicht mehr erfasst sind. Dazu senden Sie das Gerät bitte an unsere Serviceadresse.

IAN 73790





Handwriting practice lines consisting of 20 horizontal lines. The top two lines are slightly indented from the left margin.





CE

IAN: 73790 PDMH 4500 A2

**Einhell Germany AG**

Wiesenweg 22

D-94405 Landau/Isar

Last Information Update · Információk állása · Stanje informacij  
Stav informací · Stav informácií · Stan informacij · Stand der Informationen:  
03/2012 · Ident.-No.: 41.390.33 032012 - 4

IAN 73790

4 