

## Wall groove milling cutter YPL 1301

Art.-No.: **43.507.12**

Bar-Code: 4006825509625

Sales Unit: 2 pcs

The powerful, handy and robust wall groove liner is designed for quick and precise installation slots in brick, plaster, cement and similar building materials.

The spindle lock allows a problem-free change of the disc. The well-designed wall liner and the ergonomically formed handle allows a clean and fatigue-free working.

### Features:

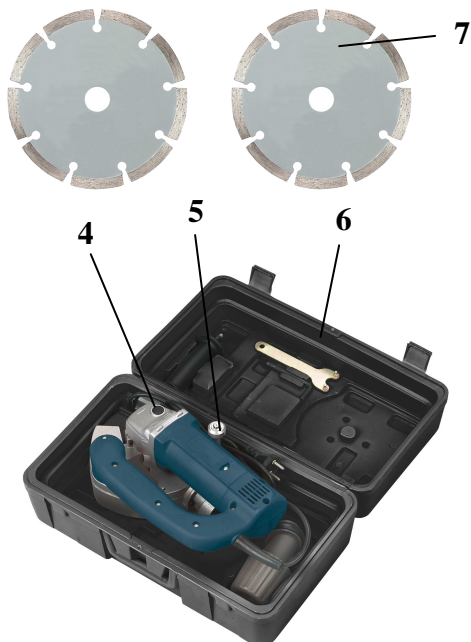
- Additional handle (1)
- Integrated dust suction adapter by adapter (2)
- Continuously cutting depth adjustment for several groove depth (3)
- Spindel lock (4)
- Additional fixing roll (5)
- Softstart
- Universal adjustable groove width
- Electronic overload protection
- **Housing "softpainted"**

### Technical data:

- |                      |                        |
|----------------------|------------------------|
| - Mains:             | 230 V ~ 50 Hz          |
| - Power:             | 1300 watts             |
| - No-load speed:     | 9000 min <sup>-1</sup> |
| - Diamond disc:      | Ø 125 mm               |
| - Retainer hole:     | Ø 22 mm                |
| - Slot depth:        | 10-30 mm               |
| - Slot width:        | 8-26 mm                |
| - Weight:            | 6.2 kg                 |
| - Packing dimension: | 390 x 200 x 230 mm     |

### Standard accessory:

- Plastic case (6)
- 2 pcs diamond-disc Ø 125 mm segmented (7)
- Face spanner
- Allan key
- Hand-wall slit chisel



### As special accessories available:

2 pcs diamond cutting discs  
(segmented)

Art.-No.: **44.402.90**

Bar code: 4006825513639

Abbildungen können nicht im Serien-Lieferumfang enthaltenes Zubehör darstellen / Illustrations can contain accessories, which are not included in standard extent of delivery.

Abbildungen ähnlich, produktionsbedingte Abweichung vorbehalten / Illustration similar (in design), production-wise modifications reserved

File: G:\Webshop\T-Produktbeschreibung\60\Originale\_Englisch\_PA04\4350712\_01015.doc

Erstelldatum / create date: 08.04.2005 10:28

Aktualisiert / up dated: 17.01.2006