

Wing Gate Opener EFA 1200

Art.-No.: **21.115.35**

Bar code: **4006825534757**

Sales unit: **1 pc**

By the above-average long movement travel and the capsule construction the wing gate opener for the private sector is universally applicable for yard gate, gateway or garden gate (wing gate). The drive can be controlled by the provided Transmitter (range max: 30 m) or by the lockable push-button (special accessories). The drive will be prosecuted by a controller with an integrated transformer with 24 d.c. voltage.

Features:

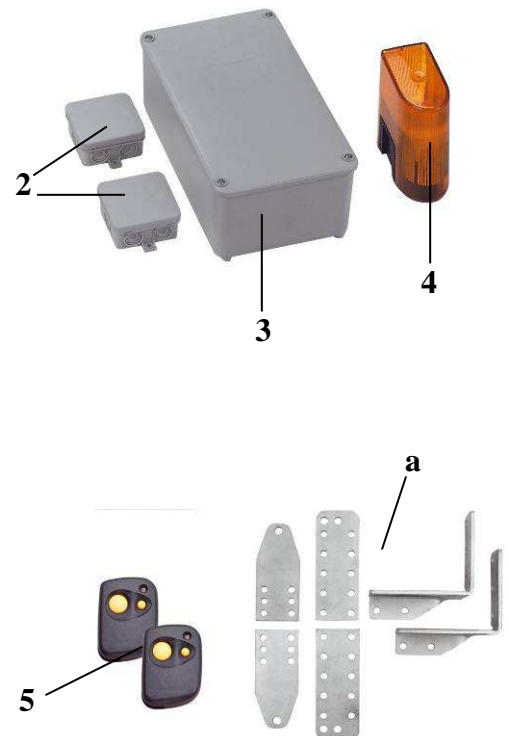
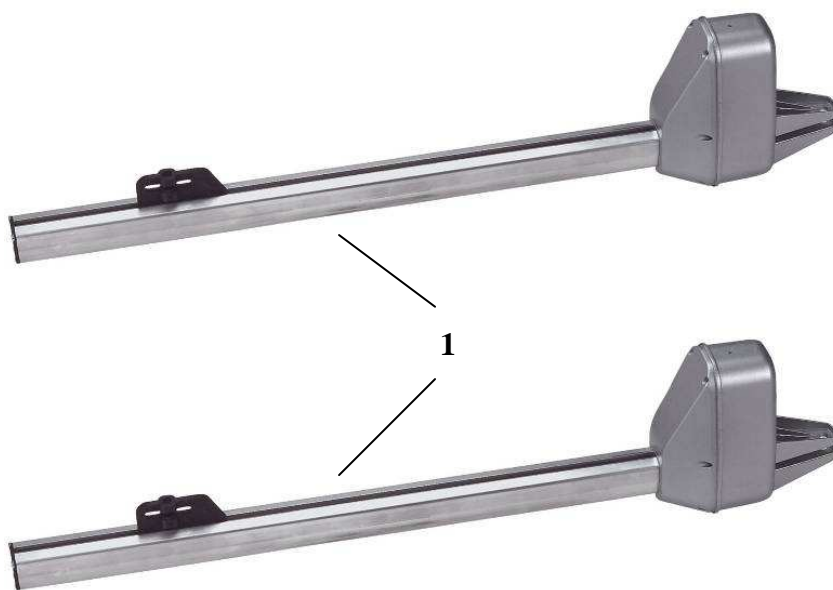
- Microprocessor control
- Automatic end-stop registration (Impulse counting process)
- Individual setting of automatic close
- Integrated barrier protection
- **Transmitter code manipulation protection:** blocks the manipulation in the receiver part by unauthorized codes
- Supplied with factory installed code setting

Scope of delivery:

- Two drive units 24 V (1) complete pre-assembled incl. installation material (a)
- Two sockets (2)
- Controller with transceiver complete pre-assembled (3)
- flashlight (4)
- Two pcs 6-Channel-Mini Transmitter incl. batteries (5)

Technical data:

- Mains: 230 V ~ 50 Hz
- Power transmission: Threaded spindle
- Movement travel: max. 550 mm
- Load: 1,200 N (120 kg)
- Operating frequency: 434 MHz
- Operating temperature: -20 °C up to +50 °C
- Weight with Packaging: 15.8 kg
- Weight without Packaging: 13.7 kg
- Packaging dimensions: 990 x 250 x 240 mm



As special accessory available:

6-Channel-Mini Transmitter **Art.-No.: 21.001.95**
 Bar code: 4006825213522

Key-lock switch flush **Art.-No.: 21.002.20**
 Bar code: 4006825210309

Electronic code lock **Art.-No.: 21.002.10**
 Bar code: 4006825210217

Internal push button **Art.-No.: 21.004.00**
 Bar code: 4006825210132

Key-lock switch surface **Art.-No.: 21.002.00**
 Bar code: 4006825210118