

GARDENLINE®

# Chainsaw Sharpener

User Guide



## AFTER SALES SUPPORT

☎ 1300 922 271  [service.australia@isc-gmbh.info](mailto:service.australia@isc-gmbh.info)

MODEL: GLCS 85 E • 91568 • 09/2014



## Warranty Details

### Chainsaw Sharpener

The product is guaranteed to be free from defects in workmanship and parts for a period of 36 months from the date of purchase. Defects that occur within this warranty period, under normal use and care, will be repaired, replaced or refunded at our discretion. The benefits conferred by this warranty are in addition to all rights and remedies in respect of the product that the consumer has under the Competition and Consumer Act 2010 and similar state and territory laws.

Our goods come with guarantees that cannot be excluded under the Australian Consumer Law. You are entitled to a replacement or refund for a major failure and for compensation for any other reasonably foreseeable loss or damage. You are also entitled to have the goods repaired or replaced if the goods fail to be of acceptable quality and the failure does not amount to a major failure.



# Table of contents

---

<b>02</b>	<b>Warranty Details</b>
<b>04</b>	<b>Safety information</b>
<b>11</b>	<b>Items supplied</b>
<b>12</b>	<b>Layout</b>
<b>14</b>	<b>Instructions for use</b>
<b>15</b>	<b>Before starting the equipment</b>
<b>17</b>	<b>Operation</b>
<b>21</b>	<b>Data</b>



# Safety information

# 1

## Important!

When using the equipment, a few safety precautions must be observed to avoid injuries and damage. Please read the complete operating instructions and safety regulations with due care. Keep this manual in a safe place, so that the information is available at all times. If you give the equipment to any other person, hand over these operating instructions and safety regulations as well. We cannot accept any liability for damage or accidents which arise due to a failure to follow these instructions and the safety instructions.

## CAUTION!

**Read all safety regulations and instructions.**

Any errors made in following the safety regulations and instructions may result in an electric shock, fire and/or serious injury.

Keep all safety regulations and instructions in a safe place for future use.

**Warning!** When using electric tools, basic safety precautions should always be followed to reduce the risk of fire, electric shock and personal injury, including the following. Read all these instructions before attempting to operate this product and save these instructions.

### 1. Keep work area clean

Cluttered areas and benches invite injuries.



- 2. Consider work area environment**  
Don't expose power tools to rain. Don't use power tools in damp or wet locations. Keep work area well lit. Don't use power tools in presence of flammable liquids or gases.
- 3. Guard against electric shock**  
Prevent body contact with grounded surfaces (e.g. pipes, radiators, ranges and refrigerators).
- 4. Keep children away**  
Do not let visitors contact tool or extension cord. All visitors should be kept away from work area.
- 5. Store idle tools**  
When not in use, tools should be stored in dry, high, or locked-up place, out of the reach of children.
- 6. Don't force tool**  
It will do the job better and safer at the rate for which it was intended.
- 7. Use right tool**  
Don't force small tools or attachments to do the job of heavy duty tool. Don't use tools for purposes not intended: for example, don't use circular saw for cutting tree limbs or logs.
- 8. Dress properly**  
Do not wear loose clothing or jewellery. They can be caught in moving parts. Rubber gloves and nonskid footwear are recommended when working outdoors. Wear protective hair covering to contain long hair.
- 9. Use safety glasses**  
Also use face or dust mask if cutting operation is dusty.



**10. Don't abuse cord**

Never carry tool by cord or yank it to disconnect it from receptacle. Keep cord from heat, oil and sharp edges.

**11. Secure work**

Use clamps or a vise to hold work. It's safer than using your hand and it frees both hands to operate tool.

**12. Don't overreach**

Keep proper footing and balance at all times.

**13. Maintain tools with care**

Keep tools sharp and clean for better and safer performance. Follow instructions for lubricating and changing accessories. Inspect tool cords periodically and, if damaged, have repaired by authorised service facility. Inspect extension cords periodically and replace if damaged. Keep handles dry, clean and free from oil and grease.

**14. Disconnect tools**

When not in use, before servicing, and when changing accessories such as blades, bits and cutters.

**15. Remove adjusting keys and wrenches**

Form the habit of checking to see that keys and adjusting wrenches are removed from tool before turning it on.

**16. Avoid unintentional starting**

Don't carry plugged-in tool with finger on switch. Be sure switch is off when plugging in.

**17. Outdoor use extension cords**

When tool is used outdoors, use only extension cords intended for use outdoors and so marked.

## 18. Stay alert

Watch what you are doing. Use common sense. Do not operate tool when you are tired.

## 19. Check damaged parts

Before further use of the tool, a guard or other part that is damaged should be carefully checked to determine that it will operate properly and perform its intended function. Check for alignment of moving parts, binding of moving parts, breakage of parts, mounting, and any other conditions that may affect its operation. A guard or other part that is damaged should be properly repaired or replaced by an authorised service center unless otherwise indicated elsewhere in this instructions manual. Have defective switches replaced by an authorised service center. Do not use tool if switch does not turn it on and off.

## 20. Warning

The use of any other accessory or attachment other than recommended in this operating instruction may present a risk of personal injury.

## 21. Have your tool repaired by an expert

This electric appliance is in accordance with the relevant safety rules repairing of electric appliances may be carried out only by experts otherwise it may cause considerable danger for the user.

## 22. Connect the dust extraction device

Wherever there are facilities for fitting a dust extraction system, make sure it is connected and used.

## Special safety instructions

- Check that the speed shown on the grinding tool is the same as, or faster than, the rated speed of the grinder.
- Check that the dimensions of the grinding tool match those of the grinder.
- Grinding disks must always be used and stored with care in accordance with the instructions of the manufacturer.
- Always check the grinding disk before use. Never use any disks with pieces broken off, which are cracked or are in any other way damaged.
- Check that grinding tools are attached in accordance with the instructions of the manufacturer.
- Always use backing layers if they are supplied with the grinding tool and their use is specified.
- Check that the grinding tool is properly attached and fastened before use and allow to run without load in a safe position for 30 seconds. Stop immediately if it should vibrate heavily or if any other fault should become apparent. Examine the machine to find the cause of the fault.
- Never use the electric tool without the guard if a guard is included in delivery.
- Do not use separate reducer sleeves or adapters to make grinding disks with large holes fit properly.
- For grinding tools with threaded inserts, check that the thread is long enough for the length of the spindle.
- Ensure that the tool is securely fastened.





- Take care to ensure that any sparks generated during use do not cause any danger, e.g. by hitting persons or igniting inflammable substances.
- Take care to ensure that the air vents are not blocked whenever you carry out work involving the generation of dust. Should you have to remove any dust, first disconnect the electric tool from the mains power supply (only use non-metallic objects) and avoid any damage to inner parts.
- Use safety goggles and ear-muffs.
- You should also wear protective clothing and equipment such as a dust mask, work gloves, apron and helmet.
- The grinding tool runs on after the tool is switched off.
- The tool may only be used in the open air with extension cables which have been certified as suitable for the purpose. The extension cables used must have cross-sections of least 1.5 mm<sup>2</sup>. The plug-and-socket connections must be equipped with earthing-contacts and protection against rain-water.
- Do not use any saw blades.

**Always keep these Safety Instructions in a safe place.**





### Caution!

Read the operating instructions to reduce the risk of injury.



### Wear ear-muffs.

The impact of noise can cause damage to hearing.



### Wear a breathing mask.

Dust which is injurious to health can be generated when working on wood and other materials. Never use the device to work on any materials containing asbestos!



### Wear safety goggles.

Sparks generated during working or splinters, chips and dust emitted by the device can cause loss of sight.



# Items supplied

# 2

- Open the packaging and take out the equipment with care.
- Remove the packaging material and any packaging and/or transportation braces (if available).
- Check to see if all items are supplied.
- Inspect the equipment and accessories for transport damage.
- If possible, please keep the packaging until the end of the guarantee period.

## **Danger!**

The equipment and packaging material are not toys. Do not let children play with plastic bags, foils or small parts. There is a danger of swallowing or suffocating!

## **Equipment supplied**

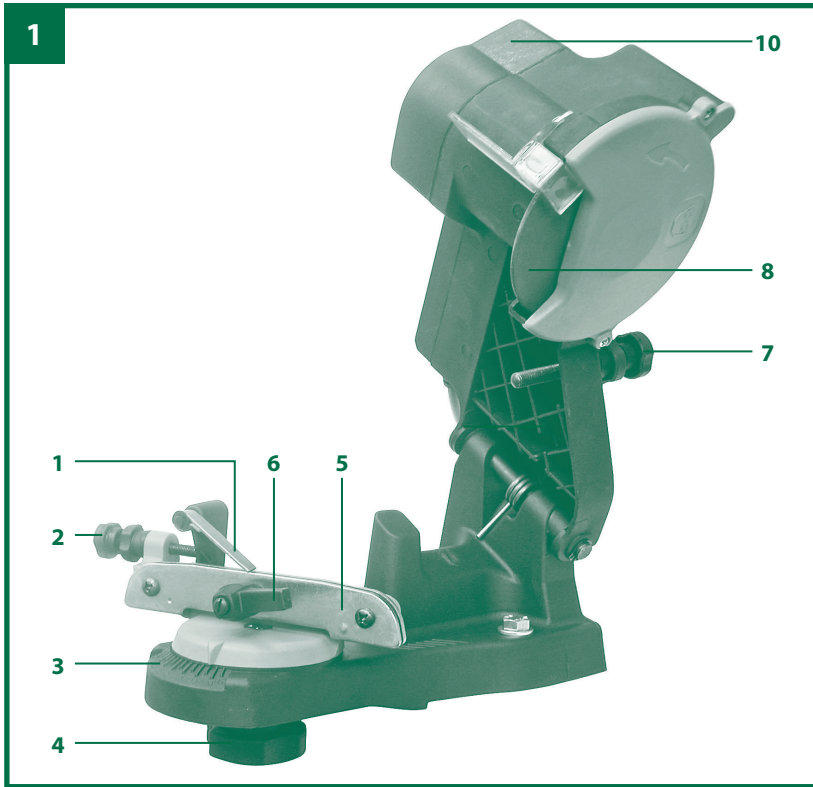
- Original operating instructions
- Chainsaw Sharpener

# Layout

# 3

1. Chain stopper
2. Chain stopper setting screw
3. Scale for setting grinding angle
4. Locking screw for grinding angle setting
5. Chain bar for chain
6. Chain locking screw
7. Setting screw for limiting depth
8. Grinding wheel
9. ON/OFF switch
10. Grinding head
11. Power cord





# Instructions for use

# 4

The chain sharpener is designed for sharpening saw chains.

The machine is to be used only for its prescribed purpose. Any other use is deemed to be a case of misuse. The user / operator and not the manufacturer will be liable for any damage or injuries of any kind caused as a result of this.

Please note that our equipment has not been designed for use in commercial, trade or industrial applications. Our warranty will be voided if the machine is used in commercial, trade or industrial businesses or for equivalent purposes.

The machine must only be used for its intended purpose! Even when the equipment is used as prescribed it is still impossible to eliminate certain residual risk factors. The following hazards may arise in connection with the machine's construction and layout:

- Contact with the grinding wheel where it is not covered.
- Catapulting of parts from damaged grinding wheels.
- Catapulting of workpieces and parts of workpieces from the machine.
- Damage to hearing if ear-muffs are not used as necessary.

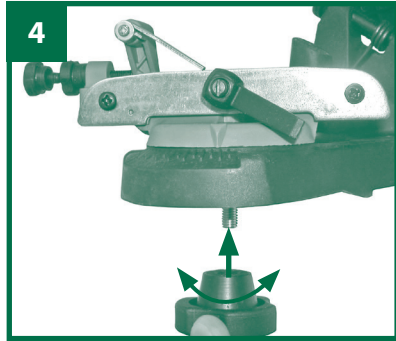
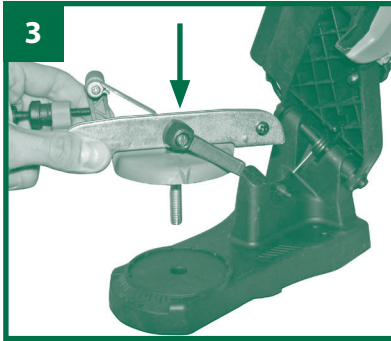
# Before starting the equipment **5**

Before you connect the equipment to the mains supply make sure that the data on the rating plate are identical to the mains data.

Always pull out the power plug before making adjustments to the equipment.

## Assembly (Fig. 3-6)

- Place the chain clamping mechanism in the chuck (Fig. 3) and screw from underneath using the star screw (Fig. 4).
- Before starting the chain sharpener, fasten it securely to a suitable surface (e.g. a workbench) at a suitable place (protected against dust, dry, well-lit) using M8 fixing screws and washers (Fig. 5).
- Make sure when doing so that the mounting plate of the chain sharpener is pushed onto the surface as far as it will go (Fig. 6).





# Operation

# 6

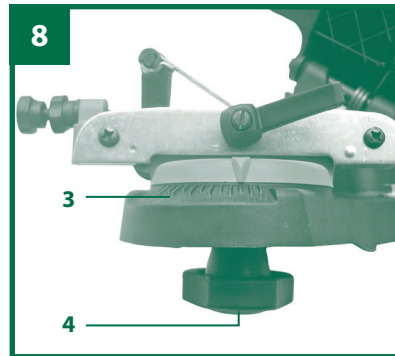
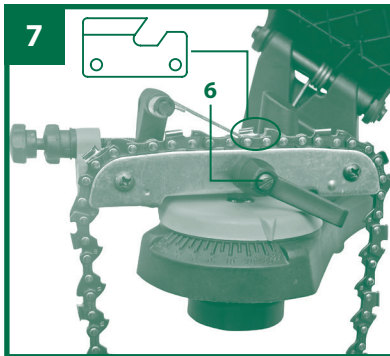
**Important!** Always switch the appliance off and unplug the power plug before making any adjustments.

## 6.1 Insert the chain that is to be sharpened into the chain bar (Fig. 7)

To do this, loosen the chain locking screw (6)

## 6.2 Set the grinding angle according to the specifications for your chain (Fig. 8) (normally between 30-35°)

- Slacken the locking screw for setting the grinding angle (4)
- Set the desired grinding angle using the scale (3)
- Tighten the locking screw (4) again

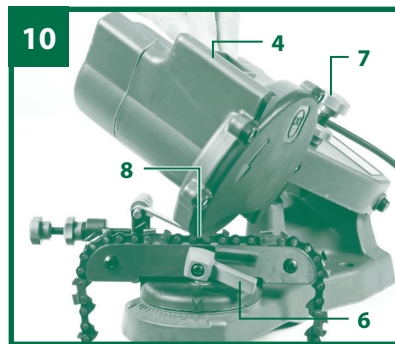
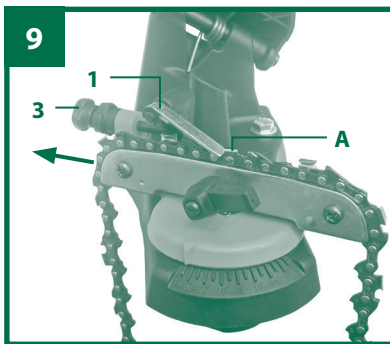


### 6.3 Set the chain stopper (Fig. 9/10)

- Fold the chain stopper (1) onto the chain.
- Pull the chain backwards against the chain stopper (1) until the latter stops a cutting link (A).
- Important! You must make sure that the angle of the stopped cutting link coincides with the grinding angle. If it does not, pull the chain one link further.
- Fold the grinding head (4) down until the grinding wheel (8) is touching the chain link (A) that is to be ground. (To do so, you can move the chain back and forth a little using the setting screw of the chain stopper (3))

### 6.4 Set the depth limit (Fig. 10)

- Fold the grinding head (4) down and set the grinding depth using the setting screw (7)  
**Important!** The grinding depth should be set so that the full cutting edge of the cutting link is sharpened.



## 6.5 Lock the chain (Fig. 7)

Tighten the chain locking screw (6)

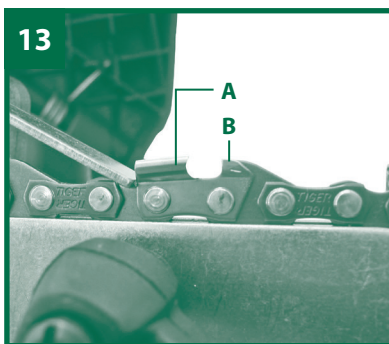
## 6.6 Grinding the chain links (Fig. 10/11)

### Important!

- Only use the equipment for sharpening saw chains. Never grind or cut other materials.
- Before sharpening the saw chain clamp it into the chain bar. This will prevent jamming of the grinding wheel caused by a loose saw chain.
- Slowly guide the grinding wheel to the saw blade. If the grinding wheel approaches the saw chain too quickly or jerkily, this may cause damage to the grinding wheel. Injuries may result from catapulting parts!
- Switch the appliance on at the ON/OFF switch (9)
- Carefully bring the grinding wheel (8) with grinding head (10) so that it is against the set link
- Switch the appliance off at the ON/OFF switch (9)
- Every second link in the chain must be sharpened in this way. To know when every second link in the entire chain has been sharpened, mark the first link (e.g. with chalk). Once all cutting links on one side have been sharpened, the grinding angle must be set to the same number of degrees on the other side. You can then begin to sharpen the links of the other side (without having to make any further adjustments).

## 6.7 Set the depth limiter spacing (Fig. 12/13)

Once the chain has been fully sharpened, you must make sure that the depth limiter spacing is kept (the depth limiters (B) must be lower than the cutting links (A)). You may need to file the depth limiters (B) to the specifications for your chain using a file (C) (not included in delivery).



**Cleaning, maintenance and ordering of spare parts**  
Always pull out the mains power plug before starting any cleaning work.

## Cleaning

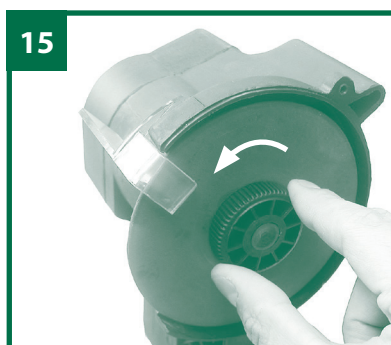
- Keep all safety devices, air vents and the motor housing free of dirt and dust as far as possible. Wipe the equipment with a clean cloth or blow it with compressed air at low pressure.
- We recommend that you clean the tool immediately after you use it.
- Clean the equipment regularly with a moist cloth and some soft soap. Do not use cleaning agents or solvents; these may be aggressive to the tool's plastic parts. Ensure that no water can get into the interior of the tool.

## Changing the grinding wheel

**Important!** Always switch the appliance off and unplug the power plug before carrying out any maintenance.

1. Remove the grinding wheel (Figs. 14-16)
2. Fit a new grinding wheel
3. Assemble in reverse order

Do not use grinding wheels that are worn, broken, cracked or otherwise damaged. Use only genuine grinding wheels.



## Ordering spare parts

Contact our After Sales Support on 1300 922 271 and provide the following information on all orders for spare parts:

- Type of unit
- Article number of the unit
- ID number of the unit
- Spare part number of the required spare part

## Storage


Store the equipment and accessories out of children's reach in a dark and dry place at above freezing temperature. The ideal storage temperature is between 5 and 30 °C. Store the electric tool in its original packaging.

## Disposal and recycling

The unit is supplied in packaging to prevent its being damaged in transit. This packaging is raw material and can therefore be reused or can be returned to the raw material system. The unit and its accessories are made of various types of material, such as metal and plastic. Defective components must be disposed of as special waste. Ask your dealer or your local council.



## Technical data

Rated voltage:	220-240V~ 50Hz
Power input:	S2:20 min 85 watts
Idle speed:	5500 min <sup>-1</sup>
Adjustment angle:	35° to the left and right
Grinding wheel Ø (inside):	23.23 mm
Grinding wheel Ø (outside):	max. 108 mm
Grinding wheel thickness:	3.2 mm
Totally insulated:	II / 
Weight:	2.2 kg

## Load factor

A load factor of S2 20 min (intermittent periodic duty) means that you may operate the motor continuously at its nominal power level (85 W) for no longer than the time stipulated on the specifications label (20 minutes ON period). If you fail to observe this time limit the motor will overheat. During the OFF period the motor will cool again to its starting temperature.

## Sound and vibration

Sound and vibration values were measured in accordance with EN 61029.

$L_{pA}$ sound pressure level	73.4 dB(A)
$K_{pA}$ uncertainty	3 dB(A)
$L_{WA}$ sound power level	84.4 dB(A)
$K_{WA}$ uncertainty	3 dB(A)

## Wear ear-muffs.

The impact of noise can cause damage to hearing.



## Grinding

Vibration emission value  $a_h = 2.42 \text{ m/s}^2$

K uncertainty =  $1.5 \text{ m/s}^2$

### Warning!

The specified vibration value was established in accordance with a standardised testing method. It may change according to how the electric equipment is used and may exceed the specified value in exceptional circumstances.

The specified vibration value can be used to compare the equipment with other electric power tools.

The specified vibration value can be used for initial assessment of a harmful effect.

Keep the noise emissions and vibrations to a minimum.

- Only use appliances which are in perfect working order.
- Service and clean the appliance regularly.
- Adapt your working style to suit the appliance.
- Do not overload the appliance.
- Have the appliance serviced whenever necessary.
- Switch the appliance off when it is not in use.
- Wear protective gloves.

## Residual risks

Even if you use this electric power tool in accordance with instructions, certain residual risks cannot be ruled out. The following hazards may arise in connection with the equipment's construction and layout:

1. Lung damage if no suitable protective dust mask is used.
2. Damage to hearing if no suitable ear protection is used.

Instead of returning the equipment to the manufacturer, the owner of the electrical equipment is obliged to ensure that the equipment is properly disposed of if relinquishing ownership. The old equipment can be returned to a suitable collection point that will dispose of the equipment in accordance with the national recycling and waste disposal regulations. This does not apply to any accessories or aids without electrical components supplied with the old equipment.

The reprinting or reproduction by any other means, in whole or in part, of documentation and papers accompanying products is permitted only with the express consent of the ISC GmbH.

Subject to technical changes.





EH 04/2014 (01)