



LI-ION 3.6V

CORDLESS SCREWDRIVER



USER GUIDE

MODEL NUMBER BT-SD 3.6/Li

AFTER SALES SUPPORT

TEL: 1300 922 271

EMAIL: service.australia@einhell.com

 ***N26704***

Cordless Lithium-Ion Screwdriver

What your 3 year warranty means

Great care has gone into the manufacture of this product and it should therefore provide you with years of good service when used properly. In the event of product failure within its intended use over the course of the first 3 years after the date of purchase, we will remedy the problem as quickly as possible once it has been brought to our attention. In the unlikely event of such an occurrence, or if you require any information about the product, please contact us via our after sales support services, details of which can be found in this manual and on the product itself.

Welcome Section

Congratulations on choosing to buy a TAURUS TITANIUM® product.

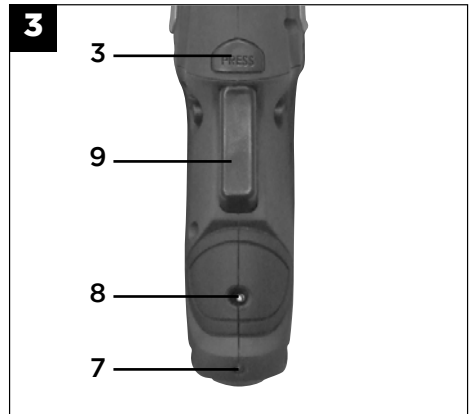
All products brought to you by TAURUS TITANIUM® are manufactured to the highest standards of performance and safety, and, as part of our philosophy of customer service and satisfaction, are backed by our comprehensive 3 Year Warranty.

We hope you will enjoy using your purchase for many years to come.

Table of Contents

Section	Description	Page
1	General Safety Rules	5
2	Additional Safety Rules	6
3	Layout	7
4	Proper use	7
5	Technical Data	8
6	Before starting the machine	8
7	Operation	8
8	Cleaning, maintenance and ordering of spare parts	9
9	Disposal and recycling	10
10	Disposal of batteries	10





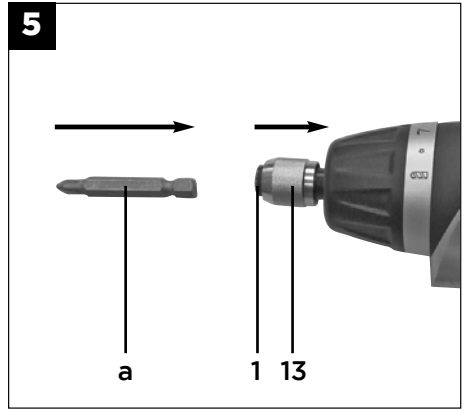
AFTER SALES SUPPORT



1300 922 271



service.australia@einhell.com



Caution

Read the operating instructions to reduce the risk of injury.



Wear ear-muffs.

The impact of noise can cause damage to hearing.



Wear safety goggles.

Sparks generated during working or splinters, chips and dust emitted by the device can cause loss of sight.



1. General Safety Rules

WARNING! Read all instructions. *Failure to follow all instructions listed below may result in electric shock, fire and/or serious injury. The term "power tool" in all of the warnings listed below refers to your mains-operated (corded) power tool or battery-operated (cordless) power tool.*

CAUTION!

Read all safety regulations and instructions.

Any errors made in following the safety regulations and instructions may result in an electric shock, fire and/or serious injury.

Keep all safety regulations and instructions in a safe place for future use.

1. Work area

- Keep work area clean and well lit. *Cluttered and dark areas invite accidents.*
- Do not operate power tools in explosive atmospheres, such as in the presence of flammable liquids, gases or dust. *Power tools create sparks which may ignite the dust or fumes.*
- Keep children and bystanders away while operating a power tool. *Distractions can cause you to lose control.*

2. Electrical safety

- Power tools plugs must match the outlet. **Never modify the plug in any way. Do not use any adapter plugs with earthed (grounded) power tool. Unmodified plugs and matching outlets will reduce risk of electric shock.**
- Avoid body contact with earthed or grounded surfaces such as pipes, radiators, ranges and refrigerators. *There is an increased risk of electric shock if your body is earthed or grounded.*
- Do not expose power tools to rain or wet conditions. *Water entering a power tool will increase the risk of electric shock.*
- Do not abuse the cord. Never use the cord for carrying, pulling or unplugging the power tool. Keep cord away from heat, oil, sharp edges or moving parts. *Damaged or entangled cords increase the risk of electric shock.*
- When operating a power tool outdoors, use an extension cord suitable for outdoor use. *Use of a cord suitable for outdoor use reduces the risk of electric shock.*
- If operating a power tool in a damp location is unavoidable, use a residual current device (RCD) protected supply. *Use of an RCD reduces the risk of electric shock.*

3. Personal safety

- Stay alert, watch what you are doing and use common sense when operating a power tool. Do not use a power tool while you are tired or under the influence of drugs, alcohol or medication. *A moment of inattention while operating power*

- tools may result in serious personal injury.*
- Use safety equipment. Always wear eye protection. *Safety equipment such as dust mask, non-skid safety shoes, hard hat, or hearing protection used for appropriate conditions will reduce personal injuries.*
- Avoid accidental starting. Ensure the switch is in the off-position before plugging in. *Carrying power tools with your finger on the switch or plugging in power tools that have the switch on invites accidents.*
- Remove any adjusting key or wrench before turning the power tool on. *A wrench or a key left attached to rotating part of the power tool may result in personal injury.*
- Do not overreach. Keep proper footing and balance at all times. *This enables better control of the power tool in unexpected situations.*
- Dress properly. Do not wear loose clothing or jewellery. Keep your hair, clothing and gloves away from moving parts. *Loose clothes, jewellery or long hair can be caught in moving parts.*
- If devices are provided for the connection of dust extraction and collection facilities, ensure these are connected and properly used. *Use of these devices can reduce dust-related hazards.*

4. Power tool use and care

- Do not force the power tool. Use the correct power tool for your application. *The correct power tool will do the job better and safer at the rate for which it was designed.*
- Do not use the power tool if the switch does not turn it on and off. *Any power tool that cannot be controlled with the switch is dangerous and must be repaired.*
- Disconnect the plug from the power source and/or the battery pack from the power tool before making any adjustments, changing accessories, or storing power tools. *Such preventive safety measures reduce the risk of starting the power tool accidentally.*
- Store idle power tools out of the reach of children and do not allow persons unfamiliar with the power tool or these instructions to operate the power tool. *Power tools are dangerous in the hands of untrained users.*
- Maintain power tools. Check for misalignment or binding of moving parts, breakage of parts and any other condition that may affect the power tools operation. If damaged, have the power tool repaired before use. *Many accidents are caused by poorly maintained power tools.*
- Keep cutting tools sharp and clean. *Properly maintained cutting tools with sharp cutting edges are less likely to bind and are easier to control.*
- Use the power tool, accessories and tool bits etc. in accordance with these instructions and in the manner intended for the particular type of power tool, taking into account the working conditions and the work to be performed. *Use of*

AFTER SALES SUPPORT



1300 922 271



service.australia@einhell.com

the power tool for operations different from those intended could result in a hazardous situation.

5. Service

- a. Have your power tool serviced by a qualified repair person using only identical replacement parts. This will ensure that the safety of the power tool is maintained.

6. Recommendation

We recommend that the tool always be supplied via residual current device with a rated residual current of 30 mA or less.

2. Additional Safety Rules

Hold the equipment by the insulated handles when carrying out work during which the screw or the plug-in tool could strike concealed power cables.

Contact with a live cable may also make the metal parts of the equipment live and cause an electric shock.

We pay a great deal of attention to the design of every battery pack to ensure that we supply you with batteries which feature maximum power density, durability and safety. The battery cells have a wide range of safety devices. Each individual cell is initially formatted and its electrical characteristic curves are recorded. These data are then used exclusively to be able to assemble the best possible battery packs. **Despite all the safety precautions, caution must always be exercised when handling batteries. The following points must be obeyed at all times to ensure safe use.**

Safe use can only be guaranteed if undamaged cells are used. Incorrect handling can cause cell damage.

Important! Analyses confirm that incorrect use and poor care are the main causes of the damage caused by high performance batteries.

Information about the battery

1. The battery pack supplied with your cordless tool is not charged. The battery pack has to be charged before you use the tool for the first time.
2. For optimum battery performance avoid low discharge cycles. Charge the battery pack frequently.
3. Store the battery pack in a cool place, ideally at 15°C and charged to at least 40%.
4. Lithium-ion batteries are subject to a natural ageing process. The battery pack must be replaced at the latest when its capacity falls to just 80% of its capacity when new. Weakened cells in an aged battery pack are no longer capable of meeting the high power requirements and therefore pose a safety risk.

5. Do not throw battery packs into an open fire. There is a risk of explosion!
6. Do not ignite the battery pack or expose it to fire.
7. Do not exhaustively discharge batteries. Exhaustive discharge will damage the battery cells. The most common cause of exhaustive discharge is lengthy storage or non-use of partly discharged batteries. Stop working as soon as the performance of the battery falls noticeably or the electronic protection system triggers. Place the battery pack in storage only after it has been fully charged.
8. Protect batteries and the tool from overloads. Overloads will quickly result in overheating and cell damage inside the battery housing without this overheating actually being apparent externally.
9. Avoid damage and shocks. Replace batteries which have been dropped from a height of more than one meter or which have been exposed to violent shocks without delay, even if the housing of the battery pack appears to be undamaged. The battery cells inside the battery may have suffered serious damage. In this respect, please also read the waste disposal information.
10. If the battery pack suffers overloading and overheating, the integrated protective cut-off will switch off the equipment for safety reasons. **Important!** Do not press the ON/OFF switch any more if the protective cut-off has actuated. This may damage the battery pack.
11. Use only original battery packs. The use of other batteries may result in injuries, explosion and a fire risk.

Information on chargers and the charging process

1. Please check the data marked on the rating plate of the battery charger. Be sure to connect the battery charger to a power supply with the voltage marked on the rating plate. Never connect it to a different mains voltage.
2. Protect the battery charger and its cable from damage and sharp edges. Have damaged cables repaired without delay by a qualified electrician.
3. Keep the battery charger, batteries and the cordless tool out of children's reach.
4. Do not use damaged battery chargers.
5. Do not use the supplied battery charger to charge other cordless tools.
6. In heavy use the battery pack will become warm. Allow the battery pack to cool to room temperature before commencing with the charging.
7. Do not over-charge batteries. Do not exceed the maximum charging times. These

AFTER SALES SUPPORT



1300 922 271



service.australia@einhell.com

- charging times only apply to discharged batteries. Frequent insertion of a charged or partly charged battery pack will result in overcharging and cell damage. Do not leave batteries in the charger for days on end.
8. Never use or charge batteries if you suspect that the last time they were charged was more than 12 months previously. There is a high probability that the battery pack has already suffered dangerous damage (exhaustive discharge).
 9. Charging batteries at a temperature below 10°C will cause chemical damage to the cell and may cause a fire.
 10. Do not use batteries which have heated during the charging process, as the battery cells may have suffered dangerous damage.
 11. Do not use batteries which have suffered curvature or deformation during the charging process or which show other non-typical symptoms (gassing, hissing, cracking,...)
 12. Never fully discharge the battery pack (recommended depth of discharge max. 80%) A complete discharge of the battery pack will lead to premature ageing of the battery cells.
 13. Never charge the batteries unsupervised.

Protection from environmental influences

1. Wear suitable work clothes. Wear safety goggles.
2. Protect your cordless tool and the battery charger from moisture and rain. Moisture and rain can cause dangerous cell damage.
3. Do not use the cordless tool or the battery charger near vapors and inflammable liquids.
4. Use the battery charger and cordless tools only in dry conditions and an ambient temperature of 10-40°C.
5. Do not keep the battery charger in places where the temperature is likely to reach over 40°C. In particular, do not leave the battery charger in a car that is parked in the sun.
6. Protect batteries from overheating. Overloads, over-charging and exposure to direct sunlight will result in overheating and cell damage. Never charge or work with batteries which have been overheated - replace them immediately if possible.
7. Storage of batteries, battery chargers and cordless tools. Store the charger and your cordless tool only in dry places with an ambient temperature of 10-40°C. Store your lithium-ion battery pack in a cool, dry place at a temperature of 10-20°C. Protect them from humidity and direct sunlight. Only place fully charged batteries in storage (charged to at least 40%).
8. Prevent the lithium-ion battery pack from freezing. Battery packs which were stored below 0°C for more than 60 minutes must be disposed of.

9. When handling batteries be aware of electrostatic discharge: Electrostatic discharges cause damage of the electronic protection system and the battery cells. Avoid electrostatic charging and never touch the battery poles.

Important!

When using equipment, a few safety precautions must be observed to avoid injuries and damage. Please read the complete operating manual with due care. Keep this manual in a safe place, so that the information is available at all times. If you give the equipment to any other person, give them these operating instructions as well. We accept no liability for damage or accidents which arise due to non-observance of these instructions and the safety information.

3. Layout (Fig. 1/4)

1. Bit chuck
2. LED light
3. Swivel locking button
4. ON/OFF button for LED light
5. Battery capacity indicator
6. Button for battery capacity indicator
7. Charging control light
8. Charging connection
9. ON/OFF switch
10. Forward/Reverse switch
11. Battery charger
12. Charging cable
13. Locking sleeve
14. Torque selector

4. Proper use

The cordless screwdriver is designed for tightening and undoing screws.

The machine is to be used only for its prescribed purpose. Any other use is deemed to be a case of misuse. The user / operator and not the manufacturer will be liable for any damage or injuries of any kind caused as a result of this.

Please note that our equipment has not been designed for use in commercial, trade or industrial applications. Our warranty will be voided if the machine is used in commercial, trade or industrial businesses or for equivalent purposes.



5. Technical data

Motor power supply:	3.6V DC
Idling speed:	200 min ⁻¹
Forward/Reverse:	Yes
Charge voltage for rechargeable battery:	6 V DC
Charge current for rechargeable battery:	300 mA
Battery charger supply voltage:	230V - 240V-50 Hz
Charging time:	max. 3-5 hours
Battery type:	Li-Ion
Weight:	0.4 kg

Sound and Vibration

Sound and vibration values were measured in accordance with EN 60745.

L _{PA} sound pressure level	62 dB(A)
K _{PA} uncertainty	3 dB
L _{WA} sound power level	73 dB(A)
K _{WA} uncertainty	3 dB

Wear ear-muffs.

The impact of noise can cause damage to hearing.

Total vibration values (vector sum of three directions) determined in accordance with EN 60745.

Screwing without hammer action

Vibration emission value $a_h = 0.153 \text{ m/s}^2$

K uncertainty = 1.5 m/s^2

Important!

The vibration value changes according to the area of application of the electric tool and may exceed the specified value in exceptional circumstances.

6. Before starting the machine

Be sure to read the following information before you use your cordless screwdriver for the first time:

1. Charge the battery pack with the charger supplied.
2. Only ever use screwdriver bits which are suitable for the purpose and in faultless condition.
3. Always check for concealed electric cables and gas and water pipes before drilling and screwing into walls.

7. Operation

7.1 Charging the battery

The battery is protected from exhaustive discharge. An integrated protective circuit automatically switches off the equipment when the battery is flat. In this case the bit chuck will cease to turn.

Warning! Do not press the ON/OFF switch any more if the protective circuit has been activated. This may damage the battery.

1. Check that your mains voltage is the same as that marked on the rating plate of the battery charger. Plug the battery charger (Fig.1/Item 11) in the plug socket and connect the charging cable (Fig.1/Item 12) to the charging connection (Fig.1 & 3/Item 8). The charging process starts as soon as the charging cable is connected to the charging adapter.
2. The charging control light (Fig.1 & 3/Item 7) will be red to indicate that the battery pack is being charged.
3. The charging control light (Fig.1 & 3/Item 7) goes out when charging is completed.

Important! The handle may become a little warm during the charging process. This is normal.

If the battery pack fails to charge, please check

- whether there is voltage at the socket-outlet
- and check for proper contact with the charging contacts in the battery charger.

If the battery still fails to charge please call our After Sales Support on 1300 922 271 .

Timely recharging of the battery pack will help it serve you well for a long time. You must recharge the battery pack when you notice that the power of the screwdriver drops.

Never allow the battery pack to become fully discharged. This will cause it to develop a defect.

7.2 Forward/Reverse switch (Fig. 2)

The Forward/Reverse switch (10) above the ON/OFF switch (9) is for setting the direction of rotation of the cordless screwdriver and for preventing the cordless screwdriver from being switched on inadvertently.

You can select between forward and reverse rotation. Change the direction of rotation only when the equipment is at a standstill. If you fail to observe this point, the gearing may become damaged. When the Forward/Reverse switch (10) is in the middle position, the ON/OFF switch (9) is blocked.

AFTER SALES SUPPORT



1300 922 271



service.australia@einhell.com

7.3 LED Light (Fig. 1)

The LED light (2) can be used in poor lighting conditions to illuminate the area where you want to screw. To switch ON, press the ON/OFF button (4) and to switch OFF press the ON/OFF button (4) again.

7.4 Angle setting (Fig. 1/2)

The screwdriver can be locked into 2 different angle settings. To do so, press the swivel locking button (3) and turn the screwdriver into the desired position. Then release the swivel locking button (3). **Important!** Before you switch on the screwdriver, make sure that it is correctly locked in the angle position in question.

7.5 Battery capacity indicator (Fig. 4)

Press the button for the battery capacity indicator (6). The battery capacity indicator (5) indicates the charge state of the battery on 3 colored LEDs.

All LEDs illuminate:

The battery is fully charged.

The yellow and red LED illuminate:

The battery has an adequate remaining charge.

Red LED illuminates:

The battery is empty, recharge the battery.

7.6 Changing the accessory

Important! Set the Forward/Reverse switch (Fig.1/Item 10) to its centre position whenever you carry out any work (for example, changing the accessory, maintenance work, etc.) on the cordless screwdriver.

- Pull back and hold the locking sleeve (Fig.5/Item 13).
- Insert the bit (Fig.5/Item a) into the bit chuck (Fig.5/Item 1) and let go of the locking sleeve (Fig.5/Item 13)
- Check that it is secure by attempting to pull the accessory apart again.

7.8 Torque setting (Fig. 1)

The tool is fitted with a mechanical torque selector (14).

The torque for a specific size of screw is selected with the torque selector (14). The correct torque depends on several factors:

- On the type and hardness of material in question.
- On the type and length screws used.
- On the requirements needing to be met by the screwed joint.

The clutch disengages the chuck by preventing rotation, therefore indicates when the set torque is reached. **Important!** The tool must be at a standstill when you set the torque.

7.9 Screwdriving

We recommend using self-centering screws (e.g. Torx screws, recessed head screws) designed for reliable working. Make sure to use a bit that matches the screw in shape and size. Set the torque, as described in section 7.8 in this user guide to suit the size of screw.

7.10 ON/OFF switch (Fig. 2)

Press the On/Off switch (9) to switch the cordless screwdriver on. Release the ON/OFF switch (9) to switch off the tool.

8. Cleaning, maintenance and ordering of spare parts

Always pull out the mains power plug before starting any cleaning work.

8.1 Cleaning

- Keep all safety devices, air vents and the motor housing free of dirt and dust as far as possible. Wipe the equipment with a clean cloth or blow it with compressed air at low pressure.
- We recommend that you clean the device immediately each time you have finished using it.
- Clean the equipment regularly with a moist cloth and some soft soap. Do not use cleaning agents or solvents; these could attack the plastic parts of the equipment. Ensure that no water can seep into the device.

8.2 Maintenance

There are no parts inside the equipment which require additional maintenance.

8.3 Ordering spare parts

Contact our After Sales Support on 1300 922 271 and quote the following data when ordering spare parts:

- Type of machine
- Article number of the machine
- Identification number of the machine
- Replacement part number of the part required



9. Disposal and recycling

The unit is supplied in packaging to prevent it from being damaged in transit. This packaging is raw material and can therefore be reused or can be recycled.

The unit and its accessories are made of various types of material, such as metal and plastic. Defective components must be disposed of as special waste as directed by your local council.

10. Disposal of batteries

Batteries contain substances that can be harmful to the environment. Never place batteries in your household refuse, in fire or in water. Batteries should be collected, recycled or disposed of in an environmentally friendly way. Seek advice on correct disposal from local waste authorities or your local council.



AFTER SALES SUPPORT



1300 922 271



service.australia@einhell.com

TAURUS TITANIUM® is a registered trademark of ALDI Stores.

ALDI Guarantee

Specially made for ALDI Stores to our stringent quality specifications. If you are not entirely satisfied with this product, please return it to your nearest ALDI store, within 60 days from the date of purchase, for a full refund or replacement, or take advantage of our after sales support by calling the Customer Service Hotline.

ALDI STORES
1 SARGENTS ROAD
MINCHINBURY NSW 2770
AUSTRALIA
www.aldi.com.au

10/2012
Art.Nr: 45.133.94_11032

AFTER SALES SUPPORT



1300 922 271



service.australia@einhell.com