

Original operating instructions
Impact Drill

Einhell[®]

7

CE

Art.-Nr.: 42.598.24

I.-Nr.: 11014

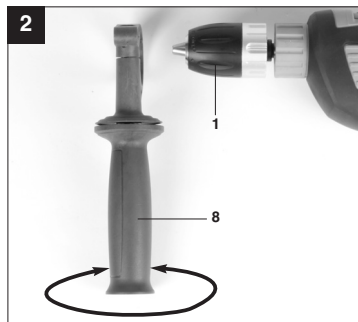
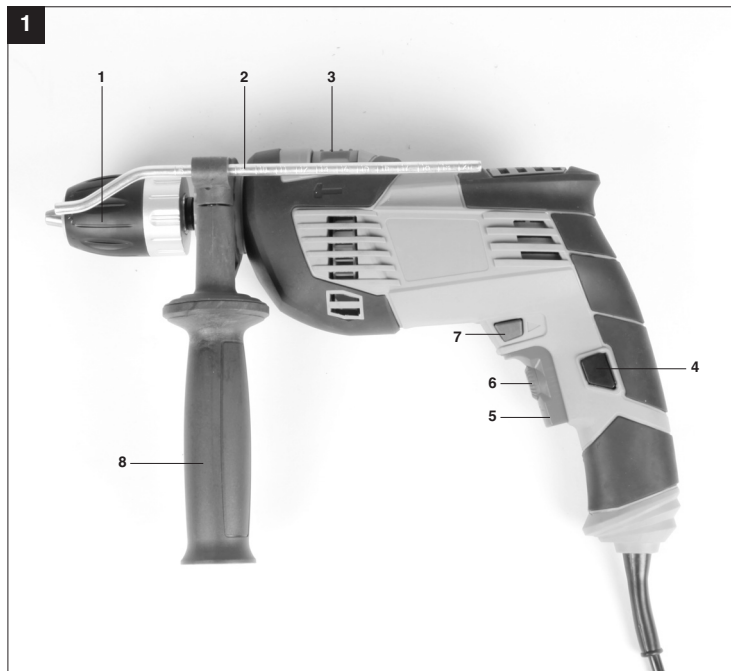
TH-ID **1000 E**

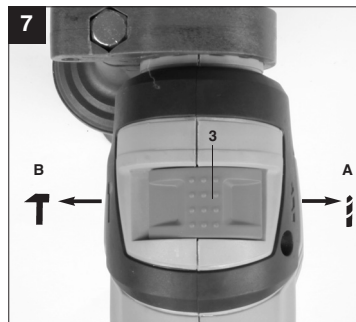
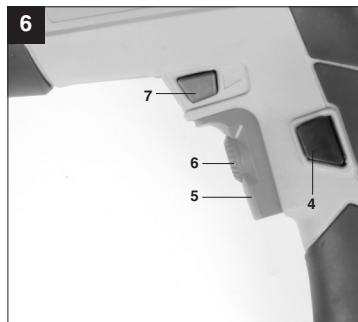
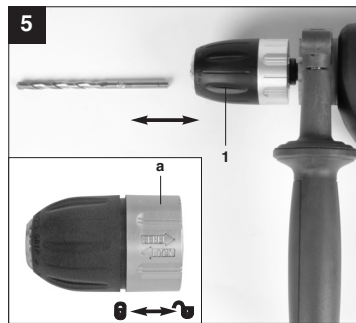
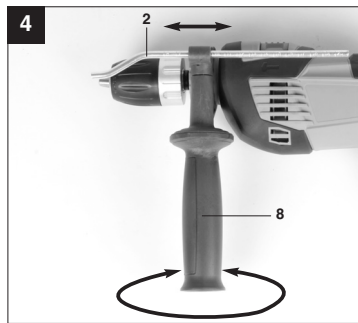




To avoid damaging the gearbox, the drill / hammer drill selector switch should only be moved when the machine is at a standstill







GB



Danger! Read the operating instructions to reduce the risk of injury



Caution! Wear ear-muffs.
The impact of noise can cause damage to hearing.



Caution! Wear a breathing mask.
Dust which is injurious to health can be generated when working on wood and other materials.
Never use the device to work on any materials containing asbestos!



Caution! Wear safety goggles.
Sparks generated during working or splinters, chips and dust emitted by the device can cause loss of sight.

GB

⚠ Danger!

When using equipment, a few safety precautions must be observed to avoid injuries and damage. Please read the complete operating manual with due care. Keep this manual in a safe place, so that the information is available at all times. If you give the equipment to any other person, give them these operating instructions as well.

We accept no liability for damage or accidents which arise due to non-observance of these instructions and the safety information.

1. Safety regulations

The corresponding safety information can be found in the enclosed booklet.

⚠ Danger!

Read all safety regulations and instructions. Any errors made in following the safety regulations and instructions may result in an electric shock, fire and/or serious injury.
Keep all safety regulations and instructions in a safe place for future use.

2. Layout (Fig. 1)

1. Drill chuck
2. Drill depth stop
3. Drill/hammer drill selector switch
4. Locking button
5. ON/OFF switch
6. Speed controller
7. Clockwise/Counter-clockwise switch
8. Additional handle

3. Items supplied

- Open the packaging and take out the equipment with care.
- Remove the packaging material and any packaging and/or transportation braces (if available).
- Check to see if all items are supplied.
- Inspect the equipment and accessories for transport damage.
- If possible, please keep the packaging until the end of the guarantee period.

Danger!

The equipment and packaging material are not toys. Do not let children play with plastic bags, foils or small parts. There is a danger of swallowing or suffocating!

- Impact Drill
- Drill depth stop
- Additional handle
- Original operating instructions
- Safety instructions


4. Proper use

The drill is designed for drilling holes into wood, iron, non-ferrous metals and rock using the appropriate bits.

The equipment is to be used only for its prescribed purpose. Any other use is deemed to be a case of misuse. The user / operator and not the manufacturer will be liable for any damage or injuries of any kind caused as a result of this.

Please note that our equipment has not been designed for use in commercial, trade or industrial applications. Our warranty will be voided if the machine is used in commercial, trade or industrial businesses or for equivalent purposes.

5. Technical data

Mains voltage:	230 V ~ 50 Hz
Power input:	1010 W
Idling speed:	0-3000 min ⁻¹
Drilling capacity	Concrete 16 mm
	Steel 13 mm
	Wood 32 mm
Protection class:	II / 
Weight:	2.2 kg

Danger!
Sound and vibration

Sound and vibration values were measured in accordance with EN 60745.

L_{pA} sound pressure level	90 dB(A)
K_{pA} uncertainty	3 dB
L_{WA} sound power level	101 dB(A)
K_{WA} uncertainty	3 dB

Wear ear-muffs.

The impact of noise can cause damage to hearing.

Total vibration values (vector sum of three directions) determined in accordance with EN 60745.

Hammer drilling in concrete

Vibration emission value $a_{H1} = 12.0 \text{ m/s}^2$

K uncertainty = 1.5 m/s^2

Drilling in metal

Vibration emission value $a_{H1} = 7.9 \text{ m/s}^2$

K uncertainty = 1.5 m/s^2

The specified vibration value was established in accordance with a standardized testing method. It may change according to how the electric equipment is used and may exceed the specified value in exceptional circumstances.

The specified vibration value can be used to compare the equipment with other electric power tools.

The specified vibration value can be used for initial assessment of a harmful effect.

Keep the noise emissions and vibrations to a minimum.

- Only use appliances which are in perfect working order.
- Service and clean the appliance regularly.
- Adapt your working style to suit the appliance.
- Do not overload the appliance.
- Have the appliance serviced whenever necessary.
- Switch the appliance off when it is not in use.
- Wear protective gloves.

Danger!
Residual risks

Even if you use this electric power tool in accordance with instructions, certain residual risks cannot be ruled out. The following hazards may arise in connection with the equipment's construction and layout:

1. Lung damage if no suitable protective dust mask is used.
2. Damage to hearing if no suitable ear protection is used.
3. Health damage caused by hand-arm vibrations if the equipment is used over a prolonged period or is not properly guided and maintained.
4. Sight damage if no suitable safety goggles or facial protection are used.

6. Before starting the equipment

Before you connect the equipment to the mains supply make sure that the data on the rating plate are identical to the mains data.

Warning!

Always pull the power plug before making adjustments to the equipment.

6.1. Fitting the additional handle (Fig. 2-3/Item 8)

The additional handle (8) enables you to achieve better stability whilst using the impact drill. Do not use the tool without the additional handle.

The additional handle (8) is secured to the impact drill by a clamp. Turning the handle clockwise tightens this clamp. Turning it anti-clockwise will loosen or release the clamp.

- The supplied additional handle (8) must first be fitted. To do this, the clamp must be opened by turning the handle until it is loosen enough for the additional handle to be slid over the chuck (1) onto the shoulder of the impact drill.
- After you have positioned the additional handle (8), turn it to the most comfortable working position for you.
- Now tighten the handle clockwise until the additional handle is secure.
- The additional handle (8) is suitable for both left-handed and right-handed users.

6.2 Fitting and adjusting the depth stop (Fig. 4/Item 2)

The depth stop (2) is held in place by the additional handle (8) by clamping. The clamp can be released and tightened by turning the handle.

- Release the clamp and fit the depth stop (2) in the recess provided for it in the additional handle.

GB

- Once a drill bit is secured in the chuck (see. 6.3), set the depth stop (2) to the same level as the drill bit.
- Pull the depth stop back by the required drilling depth.
- Tighten the additional handle (8) by turning it, until it is secure.
- Now drill the hole until the depth stop (2) touches the workpiece.

6.3 Fitting the drill bit (Fig. 5)

- Always pull the power plug before making adjustments to the equipment.
- The quick-change drill chuck (1) is equipped with a locking fastener:
To lock = press the sleeve (a) forwards
To unlock = press the sleeve (a) backwards
- Release the depth stop as described in 6.2 and push it towards the additional handle. This provides free access to the chuck (1).
- This impact drill is fitted with a keyless chuck (1).
- Open the chuck (1). The drill bit opening (1) must be large enough to fit the drill bit into.
- Select a suitable drill bit. Push the drill bit as far as possible into the chuck opening.
- Close the chuck (1). Check that the drill bit is secure in the chuck (1).
- Check at regular intervals that the drill bit or tool is secure (pull the mains plug).

7. Operation

7.1 ON/OFF switch (Fig. 6/Item 5)

- First fit a suitable drill bit into the tool (see 6.3).
- Connect the mains plug to a suitable socket.
- Position the drill in the position you wish to drill.

To switch on:
Press the ON/OFF switch (5)

Continuous operation:
Secure the ON/OFF switch (5) with the locking button (4).

To switch off:
Press the ON/OFF switch (5) briefly.

7.2 Adjusting the speed (Fig. 6/Item 5)

- You can infinitely vary the speed whilst using the tool.
- Select the speed by applying a greater or lesser pressure to the ON/OFF switch (5).
- Select the correct speed: The most suitable speed depends on the workpiece, the type of use and the drill bit used.

Tip: Start drilling holes at low speed. Then increase the speed in stages.

Benefits:

- The drill bit is easier to control when starting the hole and will not slide away.
- You avoid drilling messy holes (for example in tiles).

7.3 Preselecting the speed (Fig. 6/Item 6)

- The speed setting ring (6) enables you to define the maximum speed. The ON/OFF switch (5) can only be pressed to the defined maximum speed setting.
- Set the speed using the setting ring (6) on the ON/OFF switch (5).
- Do not attempt to make this setting whilst the drill is in use.

7.4 Clockwise/Counter-clockwise switch (Fig. 6/Item 7)

- **Change switch position only when the drill is at a standstill!**
- Switch the direction of the impact drill using the clockwise/counter-clockwise switch (7):

Direction	Switch position
Clockwise (forwards and drill)	Pushed in to the right
Counter-clockwise (reverse)	Pushed in to the left

7.5 Drill / hammer drill selector switch (Fig. 7/Item 3)

Change switch position only when the drill is at a standstill!

Drill
Drill / hammer drill selector switch (3) in the drill position. (Position A)
Use for: Wood, metal, plastic

Hammer drill
Drill / hammer drill selector switch (3) in the hammer drill position. (Position B)
Use for: Concrete, rock, masonry

7.6 Tips for working with your impact drill

7.6.1 Drilling concrete and masonry

- Switch the Drill/Hammer drill selector switch (3) to position B (Hammer drill).
- Always use carbide drill bits and a high speed setting for drilling into masonry and concrete.



7.6.2 Drilling steel

- Switch the drill / hammer drill selector switch (3) to position A (drill).
- Always use HSS drill bits (HSS = high speed steel) and a low speed setting for drilling steel.
- We recommend that you lubricate the hole with a suitable cutting fluid to prevent unnecessary drill bit wear.

7.6.3 Starting holes

If you wish to drill a deep hole in a hard material (such as steel), we recommend that you start the hole with a smaller drill bit.

7.6.4 Drilling tiles

- To start the hole, switch the drill / hammer drill selector switch (3) to position A (drill).
- Switch the drill / hammer drill selector switch (3) to position B (hammer drill) as soon as the drill bit has passed through the tiles.

8. Replacing the power cable

Danger!

If the power cable for this equipment is damaged, it must be replaced by the manufacturer or its after-sales service or similarly trained personnel to avoid danger.

9. Cleaning, maintenance and ordering of spare parts

Danger!

Always pull out the mains power plug before starting any cleaning work.

9.1 Cleaning

- Keep all safety devices, air vents and the motor housing free of dirt and dust as far as possible. Wipe the equipment with a clean cloth or blow it with compressed air at low pressure.
- We recommend that you clean the device immediately each time you have finished using it.
- Clean the equipment regularly with a moist cloth and some soft soap. Do not use cleaning agents or solvents; these could attack the plastic parts of the equipment. Ensure that no water can seep into the device.

9.2 Carbon brushes

In case of excessive sparking, have the carbon brushes checked only by a qualified electrician. **Danger!** The carbon brushes should not be replaced by anyone but a qualified electrician.

9.3 Maintenance

There are no parts inside the equipment which require additional maintenance.

9.4 Ordering replacement parts:

Please quote the following data when ordering replacement parts:

- Type of machine
 - Article number of the machine
 - Identification number of the machine
 - Replacement part number of the part required
- For our latest prices and information please go to www.isc-gmbh.info




10. Storage

Store the equipment and accessories in a dark and dry place at above freezing temperature. The ideal storage temperature is between 5 and 30 °C. Store the electric tool in its original packaging.

11. Disposal and recycling

The unit is supplied in packaging to prevent its being damaged in transit. This packaging is raw material and can therefore be reused or can be returned to the raw material system.

The unit and its accessories are made of various types of material, such as metal and plastic. Defective components must be disposed of as special waste. Ask your dealer or your local council.

<p>ISC GmbH · Eschenstraße 6 · D-94405 Landau/Isar</p>		
<p align="center">Konformitätserklärung</p>		
<p>ⓐ erklärt folgende Konformität gemäß EU-Richtlinie und Normen für Artikel</p> <p>ⓑ explains the following conformity according to EU directives and norms for the following product</p> <p>ⓒ déclare la conformité suivante selon la directive CE et les normes concernant l'article</p> <p>ⓓ dichiara la seguente conformità secondo la direttiva UE e le norme per l'articolo</p> <p>ⓔ verklaart de volgende overeenstemming conform EU richtlijn en normen voor het product</p> <p>ⓖ declara la siguiente conformidad a tenor de la directiva y normas de la UE para el artículo</p> <p>ⓗ declara a seguinte conformidade, de acordo com a directiva CE e normas para o artigo</p> <p>ⓙ attesterer følgende overensstemmelse i medfør af EU-direktiv samt standarder for artikel</p> <p>ⓚ förklarar följande överensstämmelse enl. EU-direktiv och standarder för artikeln</p> <p>ⓛ vakuuttaa, että tuote täyttää EU-direktiivin ja standardien vaatimukset</p> <p>ⓜ төндөб тооге vastavast EL direktiivile ja standarditele</p> <p>ⓝ vydává následující prohlášení o shodě podle směrnice EU a norem pro výrobek</p> <p>ⓞ potvrđuje sledeću skladnost s smernico EU in standardi za izdelke</p> <p>ⓟ vydává nasledujícíce prohlášení o zhode podľa smernice EU a noriem pre výrobok</p> <p>ⓠ a cikkekhez az EU-irányvonal és Normák szerint a következő konformitást jelenti ki</p>	<p>ⓐ deklaruje zgodność wymienionego poniżej artykułu z następującymi normami na podstawie dyrektywy WE.</p> <p>ⓑ декларира съответното съответствие съгласно директива на ЕС и норми за артикул</p> <p>ⓒ paskaidro šādu atbilstību ES direktīvai un standartiem</p> <p>ⓓ apibūdzina šj atbilstīmu EU reikalavimams ir prekės normoms</p> <p>ⓔ declară următoarea conformitate conform directivei UE și normelor pentru articolul</p> <p>ⓖ δηλώνει την ακόλουθη συμμόρφωση σύμφωνα με την Οδηγία ΕΚ και τα πρότυπα για το προϊόν</p> <p>ⓗ potvrđuje sljedeću usklađenost prema smjernicama EU i normama za artikl</p> <p>ⓙ potvrđuje sljedeću usklađenost prema smjernicama EU i normama za artikl</p> <p>ⓚ potvrđuje sledeću usklađenost prema smernicama EZ i normama za artikl</p> <p>ⓛ следующие удостоверяется, что следующие продукты соответствуют директивам и нормам ЕС</p> <p>ⓜ проголошує про зазначену нижче відповідність виробу директивам та стандартам ЄС на виріб</p> <p>ⓝ ja izjavува slednata soobraznost согласно EU-direktivata и нормите за артикли</p> <p>ⓞ Úrünü ile ilgili AB direktifleri ve normları gereğince aşağıda açıklanan uygunsuđu belirtir</p> <p>ⓟ erklærer følgende samsvar i henhold til EU-direktiv og standarder for artikkel</p> <p>ⓠ Lýsir upplýgingu EU-reglna og annarra stađa vöru</p>	
<p align="center">Impact Drill TH-ID 1000 E (Einhell)</p>		
<p><input type="checkbox"/> 87/404/EC_2009/105/EC</p> <p><input type="checkbox"/> 2005/32/EC_2009/125/EC</p> <p><input type="checkbox"/> 2006/95/EC</p> <p><input type="checkbox"/> 2006/28/EC</p> <p><input checked="" type="checkbox"/> 2004/108/EC</p> <p><input type="checkbox"/> 2004/22/EC</p> <p><input type="checkbox"/> 1999/5/EC</p> <p><input type="checkbox"/> 97/23/EC</p> <p><input type="checkbox"/> 90/396/EC_2009/142/EC</p> <p><input type="checkbox"/> 89/686/EC_96/58/EC</p> <p><input checked="" type="checkbox"/> 2011/65/EC</p>	<p><input checked="" type="checkbox"/> 2006/42/EC</p> <p><input type="checkbox"/> Annex IV Notified Body: Notified Body No.: Reg. No.:</p> <p><input type="checkbox"/> 2000/14/EC_2005/88/EC</p> <p><input type="checkbox"/> Annex V</p> <p><input type="checkbox"/> Annex VI Noise: measured L_{WA} = dB (A); guaranteed L_{WA} = dB (A) P = KW; L_Ø = cm Notified Body:</p> <p><input type="checkbox"/> 2004/26/EC Emission No.:</p>	
<p align="center">Standard references: EN 60745-1; EN 60745-2-1; EN 55014-1; EN 55014-2; EN 61000-3-2; EN 61000-3-3</p>		
<p>Landau/Isar, den 17.03.2014</p>	 Weichselgartner/General Manager	 Yang/Product-Management
<p>First CE: 13 Art.-No.: 42.598.24 I.-No.: 11014 Subject to change without notice</p>	<p align="right">Archive-File/Record: NAPR010229 Documents registrar: Georg Riedel Wiesenweg 22, D-94405 Landau/Isar</p>	



Ⓜ For EU countries only

Never place any electric tools in your household refuse.

To comply with European Directive 2002/96/EC concerning old electric and electronic equipment and its implementation in national laws, old electric tools have to be separated from other waste and disposed of in an environment-friendly fashion, e.g. by taking to a recycling depot.

Recycling alternative to the demand to return electrical devices:

As an alternative to returning the electrical device, the owner is obliged to cooperate in ensuring that the device is properly recycled if ownership is relinquished. This can also be done by handing over the used device to a returns center, which will dispose of it in accordance with national commercial and industrial waste management legislation. This does not apply to the accessories and auxiliary equipment without any electrical components which are included with the used device.

Ⓜ The reprinting or reproduction by any other means, in whole or in part, of documentation and papers accompanying products is permitted only with the express consent of ISC GmbH.

Ⓜ Technical changes subject to change

GUARANTEE CERTIFICATE

Dear Customer,

All of our products undergo strict quality checks to ensure that they reach you in perfect condition. In the unlikely event that your device develops a fault, please contact our service department at the address shown on this guarantee card. You can also contact us by telephone using the service number shown. Please note the following terms under which guarantee claims can be made:

1. These guarantee conditions regulate additional guarantee services. Your statutory guarantee claims are not affected by this guarantee. Our guarantee is free of charge to you.
2. Our guarantee only covers defects suffered by the device which have been verifiably caused by a material or manufacturing fault and is limited to the rectification of such defects or the replacement of the device at our discretion.
Please note that our devices are not designed for use in commercial, trade or professional applications. A guarantee contract will not be created if the device has been used by commercial, trade or industrial business or has been exposed to similar stresses during the guarantee period.
3. The following are not covered by our guarantee:
 - Damage to the device caused by a failure to follow the assembly instructions or due to incorrect installation, a failure to follow the operating instructions (for example connecting it to an incorrect mains voltage or current type) or a failure to follow the maintenance and safety instructions or by exposing the device to abnormal environmental conditions or by lack of care and maintenance.
 - Damage to the device caused by abuse or incorrect use (for example overloading the device or the use of unapproved tools or accessories), ingress of foreign bodies into the device (such as sand, stones or dust, transport damage), the use of force or damage caused by external forces (for example by dropping it).
 - Damage to the device or parts of the device caused by normal or natural wear or tear or by normal use of the device.
4. The guarantee is valid for a period of 24 months starting from the purchase date of the device. Guarantee claims should be submitted before the end of the guarantee period within two weeks of the defect being noticed. No guarantee claims will be accepted after the end of the guarantee period. The original guarantee period remains applicable to the device even if repairs are carried out or parts are replaced. In such cases, the work performed or parts fitted will not result in an extension of the guarantee period, and no new guarantee will become active for the work performed or parts fitted. This also applies if an on-site service is used.
5. Please report the defective device on the following internet address to register your guarantee claim: www.isc-gmbh.info. If the defect is covered by our guarantee, then the item in question will either be repaired immediately and returned to you or we will send you a new replacement device.

Of course, we are also happy offer a chargeable repair service for any defects which are not covered by the scope of this guarantee or for units which are no longer covered. To take advantage of this service, please send the device to our service address.

Also refer to the restrictions of this warranty concerning wear parts, consumables and missing parts as set out in the service information in these operating instructions.