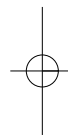
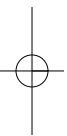
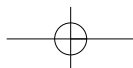


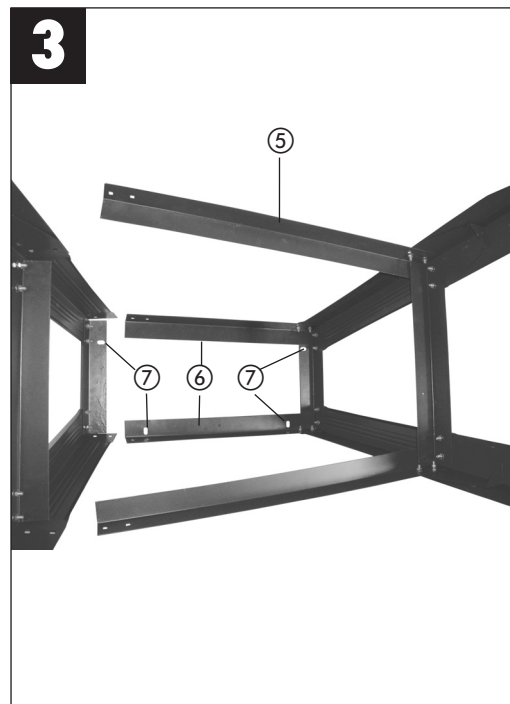
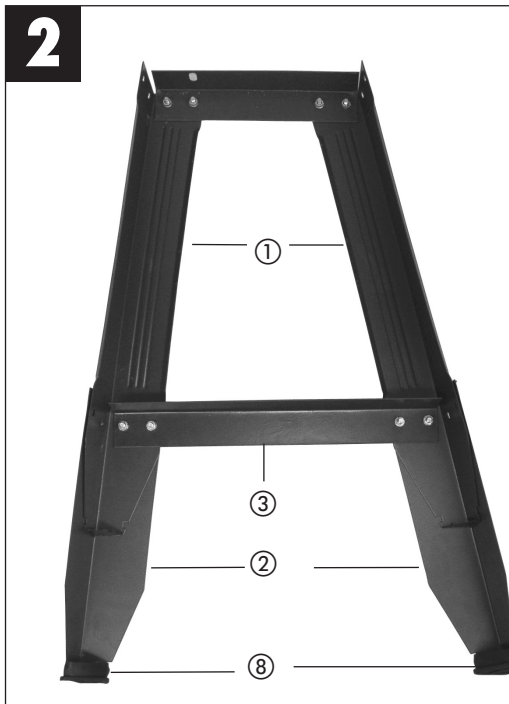
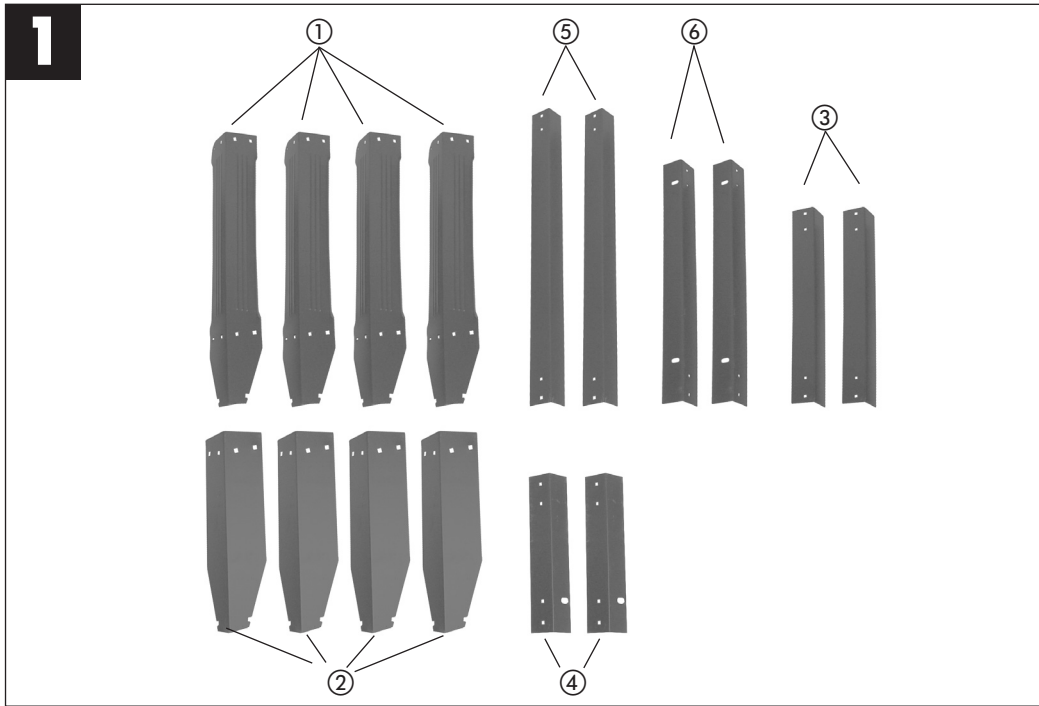


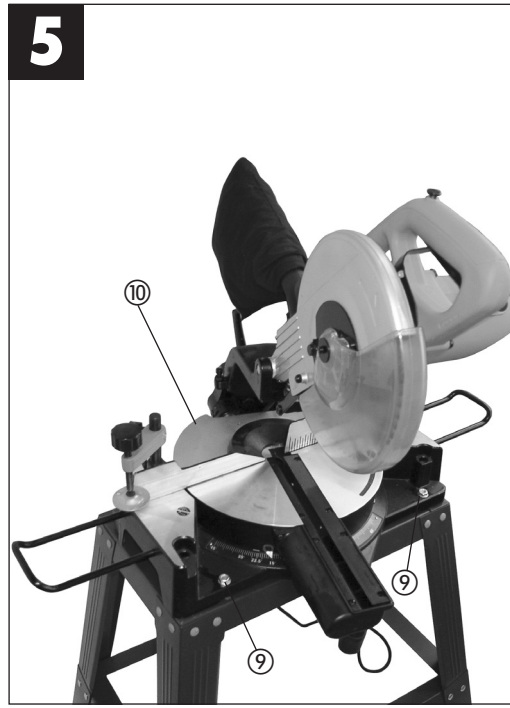
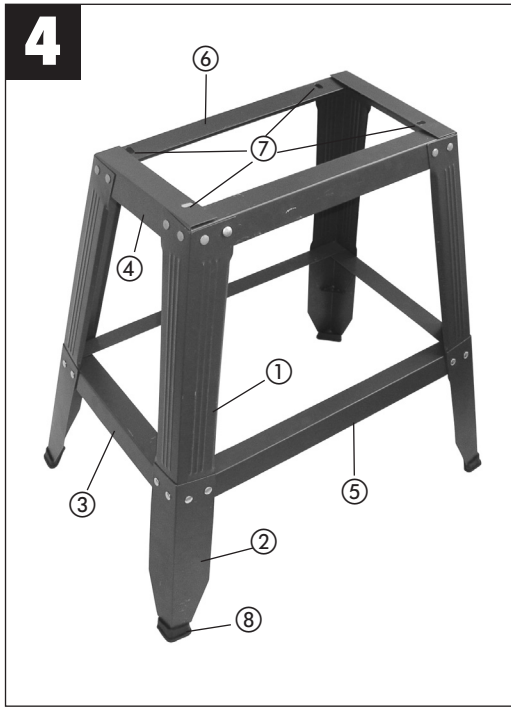
**GB** Assembling the base frame



**7**







## Ⓢ Assembling the base frame (Fig. 1-5)

- Screw the upper section (1) and the lower section (2) of the legs and the short lower struts (3) loosely to the inside of the legs. Important: The base frame can be used at 2 working heights. To use the low working height, simply omit the lower sections (2) from the legs.
- Screw the short upper struts (4) loosely from inside to the legs.
- Mount the rubber feet (8).
- Screw the long upper struts (5) loosely from inside to the legs.
- Screw the long upper struts (6) to the upper side of the legs (1) in such a way that the slots (7) coincide with the mounting holes of the saw.
- Align the base frame and tighten all the screws.
- Place the saw (10) on the base frame so that the 4 slots (4) of the base frame coincide with the mounting holes of the saw.
- Secure all 4 bolts (9) on the base frame so that they are tight.