

 **Original operating instructions**  
**Cordless Hedge Trimmer**

**Einhell**<sup>®</sup>

**7**



**Art.-Nr.: 34.106.34**

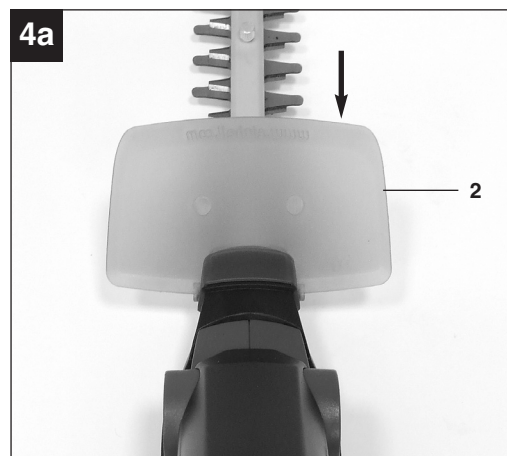
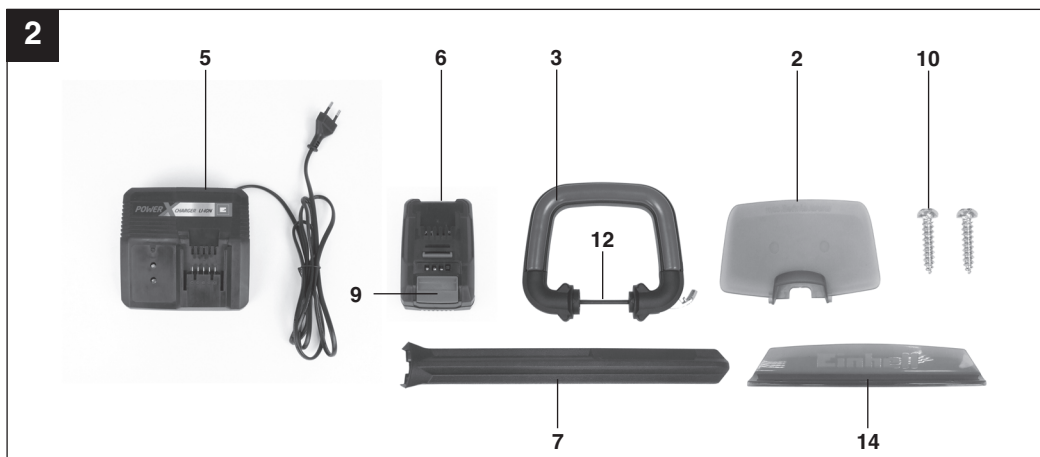
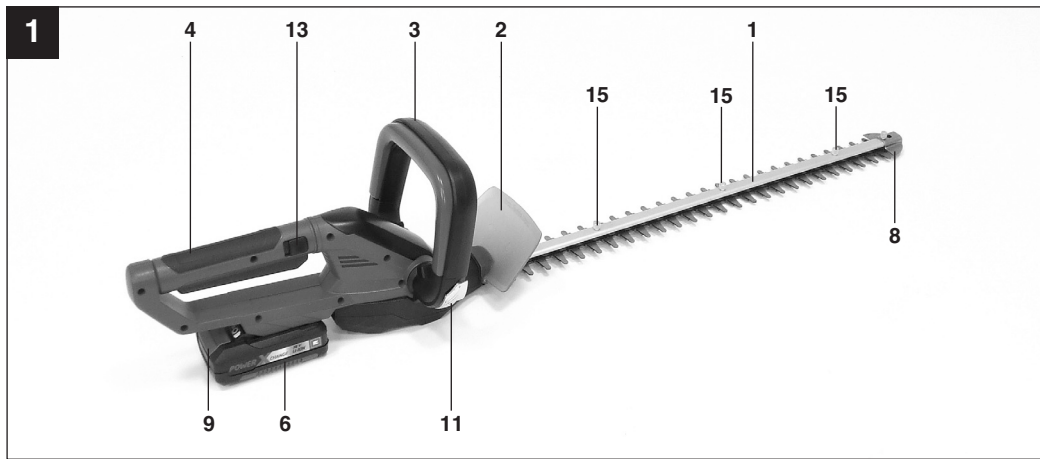
**I.-Nr.: 11013** GE-CH 1855 Li Kit

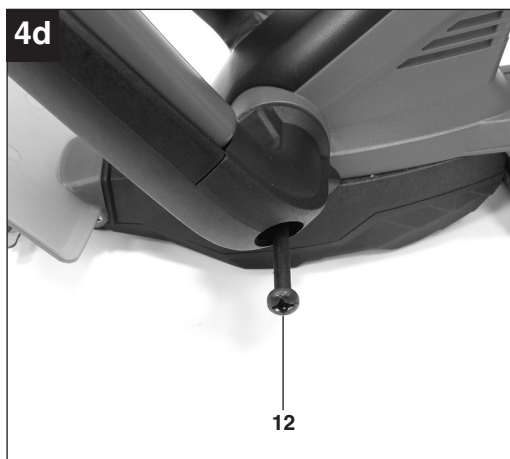
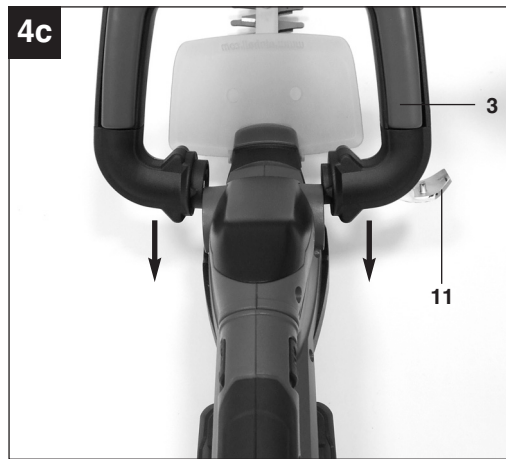
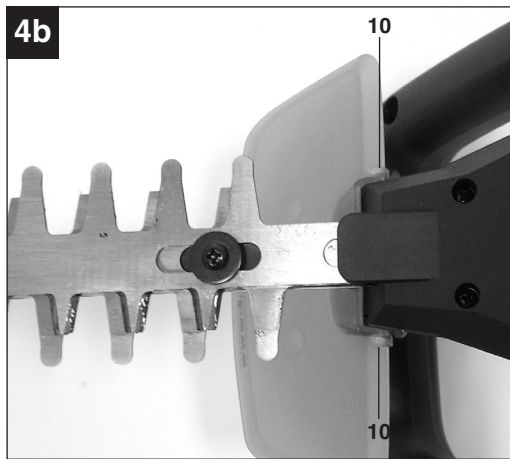
**Art.-Nr.: 34.106.33**

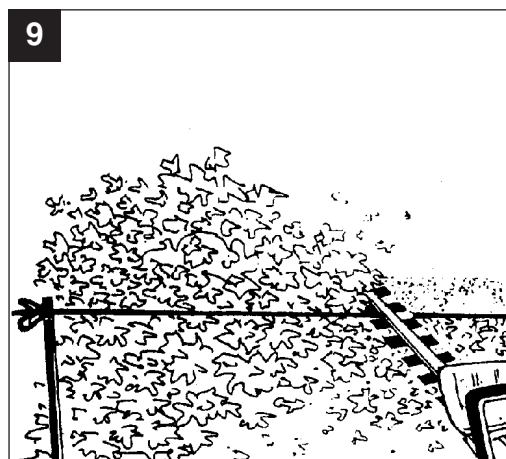
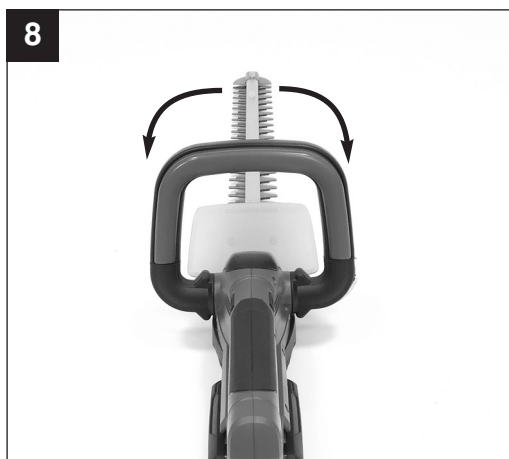
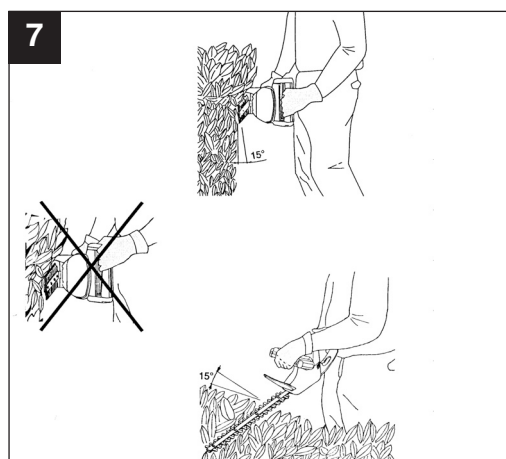
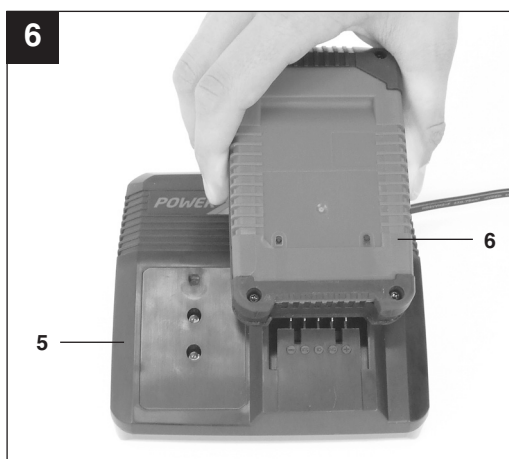
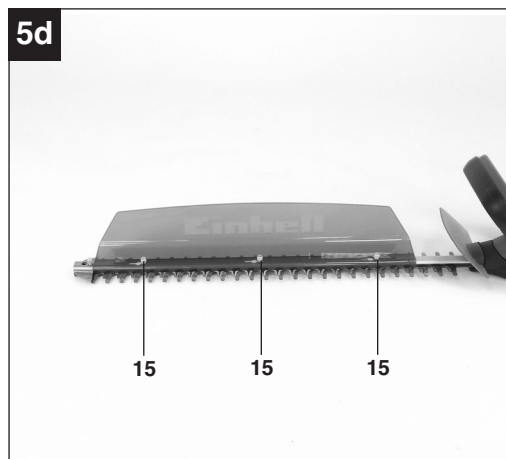
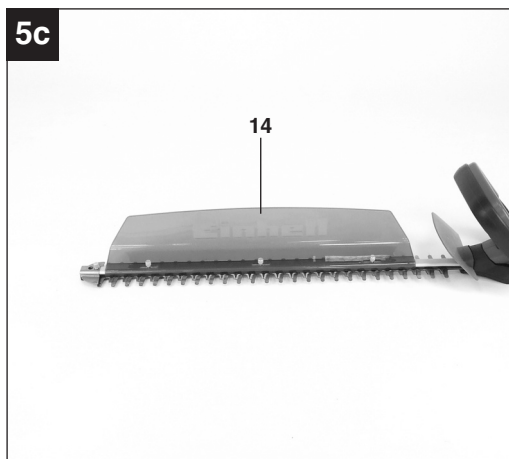
**I.-Nr.: 11013** GE-CH 1855 Li

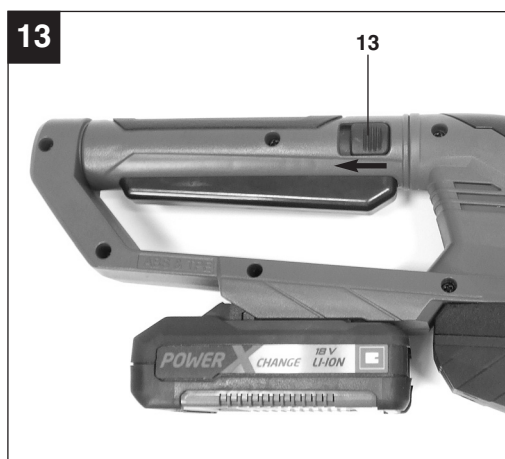
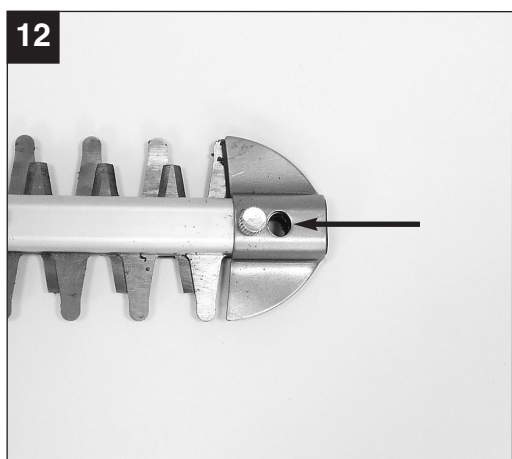
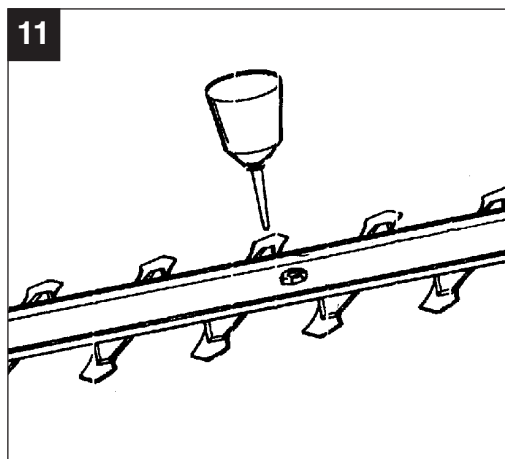
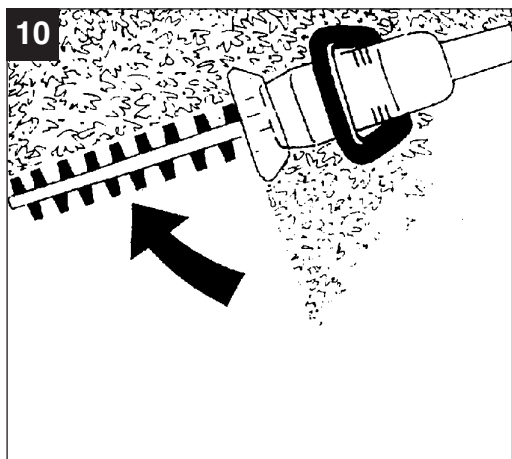


Ⓢ Read and follow the operating instructions and safety information before using the equipment for the first time.









**GB****⚠ Important!**

When using equipment, a few safety precautions must be observed to avoid injuries and damage. Please read the complete operating manual with due care. Keep this manual in a safe place, so that the information is available at all times. If you give the equipment to any other person, give them these operating instructions as well.

We accept no liability for damage or accidents which arise due to non-observance of these instructions and the safety information.

**1. Safety information**

The corresponding safety information can be found in the enclosed booklet.

**⚠ Warning!**

**Read all safety regulations and all instructions.**

Failure to follow the warnings and instructions may result in electric shock, fire and/ or serious injury.

**Save all warnings and instructions for future reference.**

**Explanation of the warning signs on the machine (Figure 3)**

1. Warning!
2. Do not expose the hedge trimmer to rain or wet conditions!
3. Read the instructions for use before use!
4. Wear eye protection and ear plugs!

**2. Layout and items supplied (Fig. 1/2)****2.1 Layout**

1. Cutter rail
2. Hand guard
3. Steady grip with button switch
4. Handle with button switch
5. Battery charger
6. Battery pack
7. Cutter guard
8. Impact guard
9. Lock for battery
10. 2x screws for hand guard
11. Lock for steady grip
12. Screw for steady grip
13. Lock for handle
14. Cuttings collector
15. Fastening screws for cuttings collector

**2.2 Items supplied**

- Open the packaging and take out the equipment with care.
- Remove the packaging material and any packaging and/or transportation braces (if available).
- Check to see if all items are supplied.
- Inspect the equipment and accessories for transport damage.
- If possible, please keep the packaging until the end of the guarantee period.

**IMPORTANT**

**The equipment and packaging material are not toys. Do not let children play with plastic bags, foils or small parts. There is a danger of swallowing or suffocating!**

- Hedge trimmer
- Cutter guard
- Battery (not included with Art. No. 34.106.33)
- Charger (not included with Art. No. 34.106.33)
- Hand guard with 2 screws
- Steady grip with screw
- Original operating instructions
- Safety information

**3. Proper use**

This hedge trimmer is suitable for cutting hedges, bushes and shrubs.

The machine is to be used only for its prescribed purpose. Any other use is deemed to be a case of misuse. The user / operator and not the manufacturer will be liable for any damage or injuries of any kind caused as a result of this.

Please note that our equipment has not been designed for use in commercial, trade or industrial applications. Our warranty will be voided if the machine is used in commercial, trade or industrial businesses or for equivalent purposes.

## 4. Technical data

Cutter rail length	620 mm
Cutting length	550 mm
Tooth spacing	15 mm
Cutting thickness max.	11 mm
Cuts/min	2200
Charging time	1.0 h
Sound pressure level, $L_{pA}$	64.8 dB
Sound power level, $L_{WA}$	84.8 dB
K uncertainty	3 dB
Vibration $a_{hv}$	$\leq 2.5 \text{ m/s}^2$
K uncertainty	1.5 $\text{m/s}^2$
Weight	2.4 kg

### Battery pack

Voltage	18 V d. c.
Capacity	3.0 Ah

### Battery charger

Mains voltage	230 V ~ 50 Hz
Output voltage/current	21 V d. c. / 3 A

The machine may exceed 85 dB (A). The operator will require noise protection measures if this is the case. The noise was measured in accordance with EN 60745-1. The value of the vibrations emitted by the handle was determined in accordance with EN 60745-1.

### Important.

The vibration value changes according to the area of application of the electric equipment and may exceed the specified value in exceptional circumstances.

### Reduce noise generation and vibration to a minimum!

- Use only equipment that is in perfect condition.
- Maintain and clean the equipment regularly.
- Adapt your way of working to the equipment.
- Do not overload the equipment.
- Have the equipment checked if necessary.
- Switch off the equipment when not in use.
- Wear gloves.

## 5. Before starting

### Fitting the hand guard

Attach the hand guard (Fig. 1/Item 2) in the direction of the arrow as shown in figure 4a. Next, fasten this with the 2 screws (Fig. 1/Item 10) as shown in Fig. 4b.

### Assembly of the steady grip

Attach the steady grip (Fig. 2/Item 3) in the direction of the arrow as shown in Fig. 4c.

**Important: The lock (Fig. 4c/Item 11) must be on the right-hand side! Make sure that the electrical contacts are connected correctly.**

Then fully tighten the screw (Fig. 4d/Item 12) with the lock closed (Fig. 4c/Item 11).

### Adjustable steady grip

The steady grip is adjustable. Loosen the lock (Fig. 4c/Item 11) by opening, bring the steady grip into the desired position and attach it again by closing the lock (Fig. 4c/Item 11).

### Swivel handle

The hedge trimmer is fitted with a rear swiveling handle. It can be swiveled 90° to the left and right. To do so, pull the slide (Fig. 13/Item 10) in the direction indicated by the arrow and turn the handle.

To return the handle to its original position you must pull the slide (Fig. 13/Item 13) in the direction indicated by the arrow again. The handle should be turned through 90° for vertical cuts.

### 5.1 Installing the battery (Fig. 4e)

Press the side pushlock buttons of the battery pack as shown in Fig. 4e and push the battery pack into the mount provided. When the battery pack is positioned as in Fig. 1, make sure that the pushlock buttons latch in place! To remove the battery pack, proceed in reverse order.

### 5.2 Charging the battery (Fig. 6)

1. Take the battery pack out of the equipment. Do this by pressing the side pushlock buttons.
2. Check that your mains voltage is the same as that marked on the rating plate of the battery charger. Insert the power plug of the charger (5) into the mains socket outlet. The green LED will then begin to flash.
3. Insert the battery pack (6) into the battery charger (5).
4. In section „Charger indicator“ you will find a table with an explanation of the LED indicator on the charger.



**GB**

The battery pack can become a little warm during the charging. This is normal. If the battery pack fails to charge, check:

- whether there is voltage at the socket outlet
- whether there is good contact at the charging contacts

If the battery pack still fails to charge, send

- the charging unit
  - and the battery pack
- to our customer service center.

To ensure that the battery pack provides long service, you should take care to recharge it promptly. You must recharge the battery pack when you notice that the power of the cordless grass trimmer drops. Never fully discharge the battery pack. This will cause it to develop a defect.

#### Fitting the cuttings collector (Fig. 5a-5d)

For horizontal cutting we recommend that you install the cuttings collector. This enables you to remove the cuttings easily. The surface of the hedge thus remains clear (Fig. 5a/5b). Position the cuttings collector (14) on the cutter rail (Fig. 5c). Then push the cuttings collector as far as possible towards the tip of the cutter rail and secure it with the fastening screws (15) (Fig. 5d). The cuttings collector can be fitted on either the right or left side.

## 6. Operation

#### Switching ON/OFF.

The hedge trimmer is equipped with a two-handed safety switch. The machine works only when the switch on the steady grip (Figure 1 / Item 3) is pressed with one hand and the switch on the handle (Figure 1 / Item 4) is pressed with the other hand. If either switch is released, the cutters will stop moving. Please watch out for the cutters as they slow down to a standstill.

#### Notes on working practice

- A hedge trimmer can be used to cut shrubs and bushes as well as hedges.
- To obtain the best cutting results, hold the hedge trimmer so that the cutter teeth are at an angle of approx. 15° in relation to the hedge (see Figure 7).
- The twin-bladed cutters rotate in opposite directions, thus enabling cutting in both directions (see Figure 8).
- It is recommended to tie a guide line of string or the like along the hedge so that you cut the hedge

to a level height. Cut off all branches which protrude beyond the guide line (see Figure 9).

- Cut the sides of the hedge with curve-shaped movements from the bottom up (see Figure 10).

## 7. Cleaning, maintenance and ordering of spare parts

Turn off and remove the rechargeable battery from the hedge trimmer, before putting down or cleaning.

#### 7.1 Cleaning

- Keep all safety devices, air vents and the motor housing free of dirt and dust as far as possible. Wipe the equipment with a clean cloth or blow it with compressed air at low pressure.
- We recommend that you clean the device immediately each time you have finished using it.
- Clean the equipment regularly with a moist cloth and some soft soap. Do not use cleaning agents or solvents; these could attack the plastic parts of the equipment. Ensure that no water can seep into the device.
- Remove deposits from the guard hood with a brush.

#### 7.2 Carbon brushes

In case of excessive sparking, have the carbon brushes checked only by a qualified electrician. Important! The carbon brushes should not be replaced by anyone but a qualified electrician.

#### 7.3 Maintenance

- The cutters should be cleaned and lubricated at regular intervals in order to ensure best performance at all times. Remove deposits with a brush and apply a thin film of oil (Figure 11).
- There are no parts inside the equipment which require additional maintenance.
- For storage, the hedge trimmer can be hung up on a nail, screw or similar in a borehole on the impact guard, with blade guard mounted (Fig. 12)

#### 7.4 Ordering replacement parts:

Please quote the following data when ordering replacement parts:

- Type of machine
  - Article number of the machine
  - Identification number of the machine
  - Replacement part number of the part required
- For our latest prices and information please go to [www.einhell.com.au](http://www.einhell.com.au)

## 8. Disposal and recycling

The unit is supplied in packaging to prevent its being damaged in transit. This packaging is raw material and can therefore be reused or can be returned to the raw material system.

The unit and its accessories are made of various types of material, such as metal and plastic. Defective components must be disposed of as special waste. Ask your dealer or your local council.

## 9. Faults

### **The device does not operate:**

The equipment will work only if the steady grip lock is correctly closed (Fig. 1/Item 11).

Check whether the rechargeable battery is charged and whether the battery charger works. If the device still does not work even with a voltage supply, please send it to our customer services department at the address indicated.

## 10. Charger indicator

Indicator status red LED	Indicator status green LED	Explanations and actions
Off	Flashing	<b>Ready for use</b> The charger is connected to the mains and is ready for use; there is no battery pack in the charger
On	Off	<b>Charging</b> The charger is charging the battery pack in quick charge mode.
Off	On	The battery is 85% charged and ready for use. (Charging time for 1.5 Ah battery: 30 min) (Charging time for 3.0 Ah battery: 60 min) The unit then changes over to gentle charging mode until the battery is fully charged. (Total charging time for 1.5 Ah battery: approx. 40 min) (Total charging time for 3.0 Ah battery: approx. 75 min) <b>Action:</b> Take the battery pack out of the charger. Disconnect the charger from the mains supply.
Flashing	Off	<b>Adapted charging</b> The charger is in gentle charging mode. For safety reasons the charging is performed less quickly and takes more than 1 hour. The reasons can be: - The battery pack has not been used for a very long time or an already flat battery was further discharged (exhaustive discharge). - The battery pack temperature is outside the ideal range (between 25° C and 45° C). <b>Action:</b> Wait for the charging to be completed; you can still continue to charge the battery pack.
Flashing	Flashing	<b>Fault</b> Charging is no longer possible. The battery pack is defective. <b>Action:</b> Never charge a defective battery pack. Take the battery pack out of the charger.
On	On	<b>Temperature fault</b> The battery pack is too hot (e.g. due to direct sunshine) or too cold (below 0° C). <b>Action:</b> Remove the battery pack and keep it at room temperature (approx. 20° C) for one day .

The guarantee provided in this Guarantee Certificate is given by Einhell Australia Pty Limited  
 ACN 134 632 858 of 6/166 Wellington Street, Collingwood, Victoria (Telephone number 1300 922 271)  
**(Einhell Express Guarantee).**

## GUARANTEE CERTIFICATE

Dear Customer,

All of our products undergo strict quality checks. In the unlikely event that your device develops a fault, please contact our service department at the address shown on this guarantee certificate. Of course, if you would prefer to call us then we are also happy to offer our assistance under the service number printed below. Please note the following terms under which claims under the Einhell Express Guarantee can be made:

1. The benefits conferred by the Einhell Express Guarantee are in addition to all rights and remedies which you may be entitled to under the Australian Consumer Law, and any other statutory rights you may have under other applicable laws. This Einhell Express Guarantee does not exclude, restrict or modify any such rights or remedies.

We do not charge you for the Einhell Express Guarantee.

2. Our goods come with guarantees that cannot be excluded under the Australian Consumer Law. You are entitled to a replacement or refund for a major failure and for compensation for any other reasonably foreseeable loss or damage. You are also entitled to have the goods repaired or replaced if the goods fail to be of acceptable quality and the failure does not amount to a major failure.
3. The Einhell Express Guarantee only covers problems caused by material or manufacturing defects, and our liability under the Einhell Express Guarantee is limited, at our discretion, to the rectification of these defects or replacement of the product. Please note that the product has not been designed for use in commercial, trade or industrial applications. Consequently, the Einhell Express Guarantee will not apply if the product is used in commercial, trade or industrial applications or for other equivalent activities.
4. The following are also excluded from the Einhell Express Guarantee: compensation for transport damage, damage caused by failure to comply with the installation/assembly instructions or damage caused by unprofessional installation, failure to comply with the operating instructions (e.g. connection to the wrong mains voltage or current type), misuse or inappropriate use (such as overloading of the product or use of non-approved tools or accessories), failure to comply with the maintenance and safety regulations, ingress of foreign bodies into the product (e.g. sand, stones or dust), effects of force or external influences (e.g. damage caused by the product being dropped) and normal wear resulting from proper operation of the product. The Einhell Express Guarantee will also not apply if any attempt is made to tamper with the product.

The Einhell Express Guarantee is valid for a period of 2 years starting from the purchase date of the product. Claims made under the Einhell Express Guarantee should be submitted before the end of this guarantee period and within two weeks of the defect being noticed. No claims under the Einhell Express Guarantee will be accepted if submitted after the end of this guarantee period. The original guarantee period remains applicable to the device even if repairs are carried out or parts are replaced. In such cases, the work performed or parts fitted will not result in an extension of the guarantee period for the Einhell Express Guarantee, and the Einhell Express Guarantee will not apply for the work performed or parts fitted. This also applies when an on-site service is used.

6. To make a claim under the Einhell Express Guarantee, please send the relevant product postage-free to the address shown below and enclose either the original or a copy of your sales receipt or another dated proof of purchase. It would help us if you could describe the nature of the problem in as much detail as possible. If the defect is covered by the Einhell Express Guarantee, your product will be repaired immediately and returned to you, or we will send you a new device (at our election).

Any costs incurred by you in making a claim under this Einhell Express Guarantee, unless specified otherwise in this guarantee certificate, must be borne by you.

Of course, we are also happy to offer a chargeable repair service for any defects which are not covered by the scope of the Einhell Express Guarantee or for products which are no longer covered by the Einhell Express Guarantee. To take advantage of this service, please send the product to our service address.

EINHELL AUSTRALIA PTY LTD  
 6/166 Wellington Street  
 Collingwood VIC 3066  
 Australia  
 Phone: 1300 922 271









EH 08/2013 (01)

