

GARDENLINE®

Push Mower User Guide



After Sales Support

Now you have purchased a Gardenline® product you can rest assured in the knowledge that as well as your 1 year parts and labour guarantee you have the added peace of mind of dedicated helplines and web support.



GARDENLINE®

Push Mower

Warranty Details

The product is guaranteed to be free from defects in workmanship and parts for a period of 12 months from date of purchase. Defects that occur within this warranty period, under normal use and care, will be repaired, replaced or refunded at our discretion, solely at our option with no charge for parts and labour. The benefits conferred by this warranty are in addition to all rights and remedies in respect of the product that the consumer has under the Trade Practices Act and similar state and territory laws.

After Sales Support

Telephone: 1300 922 271
Email: service.australia@einhell.com



AFTER SALES SUPPORT



1300 922 271



service.australia@einhell.com

MODEL NUMBER: BG-HM 40, 09/11

02

Contents

- 03 General Information & Safety Instructions
- 05 Assembly and Parts List
- 09 Operation
- 10 Maintenance and Storage
- 12 Useful Information

What your 1 year warranty means

Congratulations on choosing to buy a Gardenline® product. By doing so you now have the assurance and peace of mind that comes with purchasing a product made by one of Australia's leading suppliers.

All products brought to you by Gardenline® are manufactured to the highest standards of performance and safety, and, as part of our philosophy of customer service and satisfaction, are backed by our comprehensive 1 Year Guarantee.

Please fill in and return the Guarantee Card to the address provided.

We hope you will enjoy using your purchase for many years to come.

AFTER SALES SUPPORT



Note

1

1. Before you operate this push mower, thoroughly read through the following safety regulations as well as the operating instructions.
2. Never allow children or other persons who are not familiar with the operating instructions to use the mower. Contact your local governmental agency for information regarding minimum age requirements for the user.
3. Never mow in the direct vicinity of persons - especially children - or animals.
4. Always keep in mind that the operator or user of the equipment is responsible for accidents involving other persons and/or their property.
5. Always wear sturdy, non-slip footwear and long trousers when mowing. Never mow barefoot or in sandals.
6. Check the grounds on which the machine will be used and remove all objects that could be caught up and violently flung out of the chute.
7. Prior to using the mower, visually inspect it to ensure that the cutting tools, mounting bolts and the entire cutting apparatus are in good working order (i.e. not worn out or damaged).
8. Only mow in broad daylight or in well-lit conditions.
9. Always maintain good footing on inclines.
10. Operate the machine at a walking pace only.
11. Always mow across hills i.e. never straight up or straight down.
12. Always be extra careful when turning the mower around and when pulling it towards you.
13. Do not mow on overly steep inclines.
14. Familiarize yourself with the operator controls and proper operation of the equipment.
15. Improper operation of the push mower can lead to serious injuries.
16. Note that the cutting unit rotates at high speed and with great centrifugal force, which can lead to serious injury if direct contact is made. Always ensure that a safe distance (provided by the length of the long handles) is maintained between the user and the cutting unit.
17. Never move your hands or feet toward or under any rotating parts.
18. This equipment is not designed to be used by people (including children) with limited physical, sensory or mental capacities or those with no experience and/or knowledge unless they are supervised by a person who is responsible for their safety or they have received instructions from such a person in how to use the equipment safely. Children must always be supervised in order to ensure that they do not play with the equipment.

Important!

When using the equipment, a few safety precautions must be observed to avoid injuries and damage. Please read the complete operating instructions and safety regulations with due care. Keep this manual in a safe place so that the information is available at all times. If you give the equipment to any other person, hand over these operating instructions and safety regulations as well. We cannot accept any liability for damage or accidents which arise due to a failure to follow these instructions and the safety instructions.20. Keep the mulcher away from other persons, particularly children and pets.

CAUTION: Read all safety regulations and instructions.

Any failures made in following the safety regulations and instructions may result in an electric shock, fire and/or serious injury.

Keep all safety regulations and instructions in a safe place for future use.

Layout (Fig. 1)

2

1. Push bar
2. Mowing spindle
3. Wheel
4. Housing
5. Guide roller
6. Grass catcher
7. Holding belt

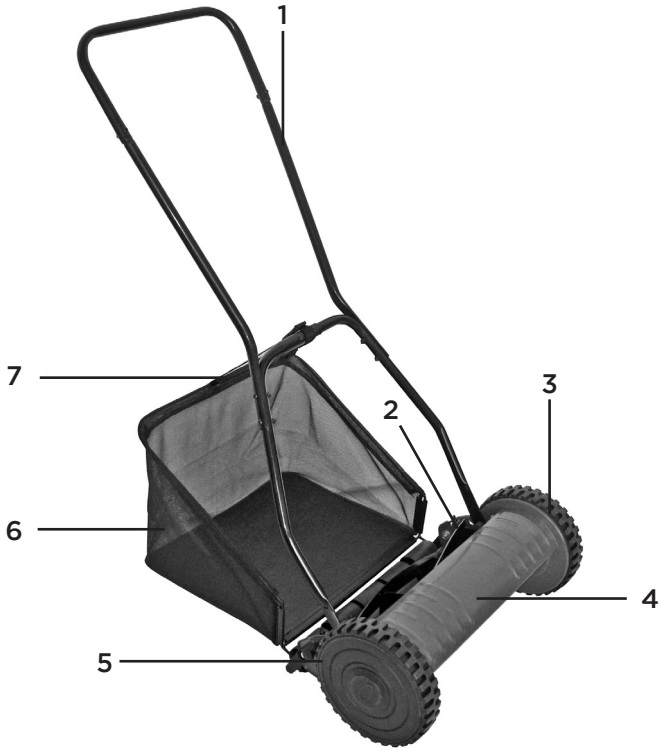
Items supplied (Fig. 2)

3

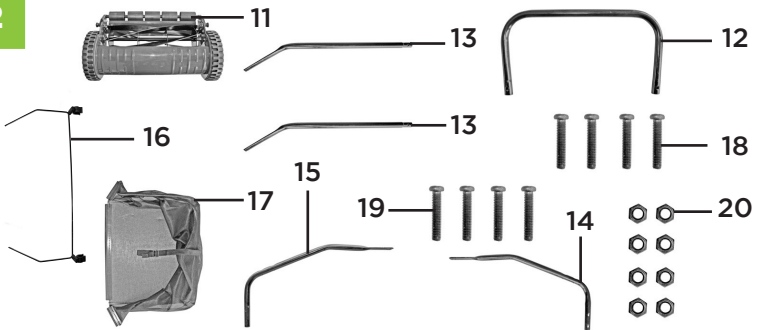
11. Push mower (ready-assembled)
12. Push bar top section
13. Push bar extension (2-piece)
14. Push bar bottom section A
15. Push bar bottom section B
16. Bar frame
17. Grass box with holding belt
18. Screw M6 x 30 (4x)
19. Screw M6 x 25 (4x)
20. Hex nut M6



1

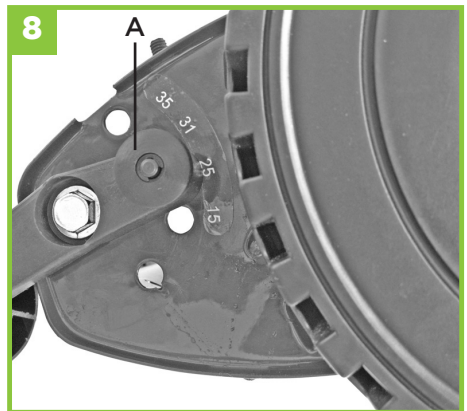
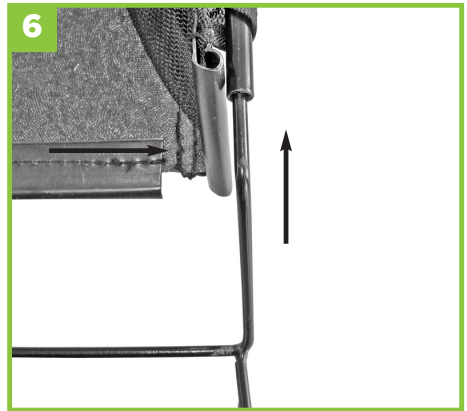
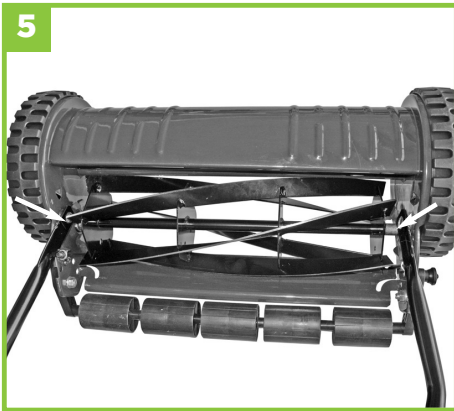
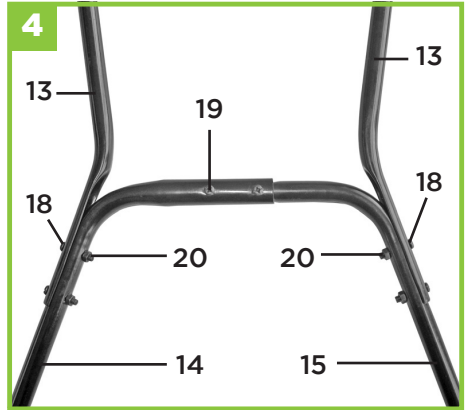
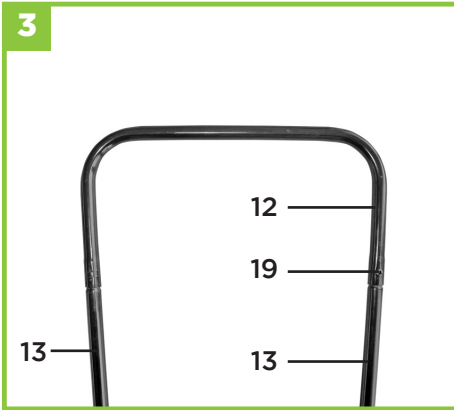


2



AFTER SALES SUPPORT





AFTER SALES SUPPORT

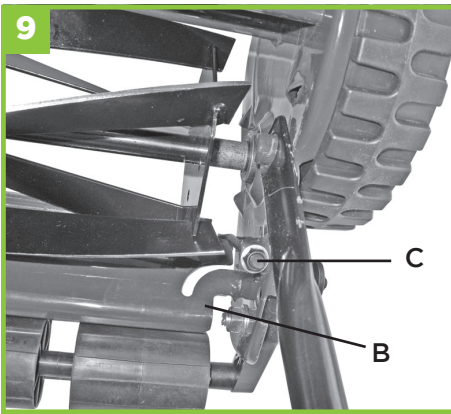


1300 922 271



service.australia@einhell.com

MODEL NUMBER: BG-HM 40, 09/11



Using two sets of nuts and bolts, line up the holes to enable you to insert a bolt with a washer all the way through both bars and fasten with another washer and nut.

Find the U-shape bar with flattened ends with large holes. Insert the bent end of the bar between the two protruding ends of the section just assembled. Line up the two holes on both sides and insert a bolt with a washer all the way through both bars and fasten with another washer and nut. Do the same with the remaining 3 sets of holes.

Now the handle is fully assembled, and ready to be attached to the mower head. To attach the handle to the mower head, locate the two metal lugs found forward of the cutting bar adjustment knobs. To attach the handle, insert one of the large holes in the handle arm over the lug, then repeat the same process with the other side. It may be required to use some force to squeeze the two arms together to allow room for locating the second arm over the remaining metal lug.

Intended use

4

The push mower is designed for cutting grass.

It is intended for private use, i.e. for use in home and gardening environments. Private use here refers to the maintenance of small-scale, residential areas and does not include public facilities, sporting halls, or agricultural/forestry applications.

Important. Due to the high risk of bodily injury to the user, the push mower may not be used to cut scaling vegetation, planted roofs, or balcony-grown grass.

The equipment may only be used for the tasks it is designed to handle. Any other use is deemed to be a case of misuse. The user / operator and not the manufacturer will be liable for any damage or injuries of any kind caused as a result of this.

Please note that our equipment has not been designed for use in commercial, trade or industrial applications. Our warranty will be voided if the equipment is used in commercial, trade or industrial businesses or for equivalent purposes.

Assembly

5

Your push lawn mower comes partly assembled, only the handle requires assembly.

To assemble the handle, find the U-shaped bar with the open (circular) ends and insert the two handle uprights into the ends. Ensure the uprights curve outwards once inserted.

Grass Catcher Assembly

- A: Insert the bracket in the pipe of the grass catcher.
- B: Put the side laces of the catcher over the bracket.
- C: Put the lower laces of the catcher over the bracket.

Adjusting the cutting height

6

Fig 8

There are four different cutting heights can be set between a range of 15 – 35 mm. To do so, pull the spring-loaded bolts (A) on both sides of out and then engage them in the required holes.

Adjusting the counter blade

7

Fig 9

Note: The counter blade (B) is only be adjusted before using the machine for the first time or if the blades on the mower spindle are worn.

Undo the adjusting nuts (C) (10 mm) on both sides and adjust the counter blade to the required position. The counter blade (B) is correctly adjusted if a piece of paper placed between the blades on the mowing spindle and the counter blade is cut if you turn one of the wheels forwards by hand.

Attaching the grass catcher

8

Attach the assembled grass box to the roller. The grass box must also be secured to the push bar using the belt supplied (see Fig. 1).

The push mower can cut grass up to approx. 10 cm in length. If you want your lawn to have a neat, trimmed look to it, however, you must consistently keep it cut down to a more manageable height. When starting the mowing session (and when mowing over freshly laid sod), it is advisable to set the cutting height relatively high, then gradually work your way down. For a well-groomed look, the cutting height should be set to approx. 2.5 cm. For optimum results, mow your lawn on a weekly basis. Grass blades grow thicker, faster, and are more resilient when their stems are consistently kept short (unless you live in very dry conditions and do not frequently water). Always mow the lawn when it is reasonable dry. In order to ensure that your lawn has a clean, even look to it when you're finished, mow in fairly straight paths at walking pace. The cutting swaths should always overlap each other by a few centimeters in order to avoid unsightly strips of grass.

Maintenance and storage 10

- Clean the machine with a brush or rag after each use.
- Store the machine in a location that is dry and not accessible by children.
- Ensure that all mounting components (i.e. screws, bolts, nuts etc.) are always tightened so that the machine can be safely operated at all times.
- Replace excessively worn or damaged parts immediately.
- In order to ensure that you enjoy your scarifier for many years to come, all screwed parts, as well as the wheels and axles, should be cleaned and lubricated.
- Keeping your push mower in good condition not only ensures a long lifespan and high performance, but also enables the machine to thoroughly cut your grass with minimal effort.
- The blade on the mower spindle is subject to more wear and tear than any other component of the unit. Check the condition of the blade on the mowing spindle at regular intervals and make sure that it is tightly fastened.

Packaging

11

The equipment is supplied in packaging to prevent it from being damaged in transit. The raw materials in this packaging can be reused or recycled.

Walk at a Good, Steady Pace.

With a push mower, the rotation of the wheels turn the blade reel. The mower will tend to bind up and skid if it is moving at too slow a pace. The faster the wheels are travelling, the faster the blade reel turns. Therefore, moving at a comfortably quick walking pace will achieve the best results.

Overlapping Rows.

When mowing a lawn, slightly overlap the row that has already been mowed. This will make the force required to move the mower easier because less grass is being mowed at one time. Overlapping rows will also ensure a neat cut by removing grass that may have been missed on the previous row.

Don't let the Grass get too Tall

Push mowers are harder to push when the grass gets too tall, therefore it is recommended to mow on a weekly basis.

Push Mowers don't Mow Tall Weeds.

The push mower will tend to roll over tall weeds without cutting them. This includes tall weeds that are more than six inches, and things like dandelions and docs.

If the desired lawn to be mowed has a significant weed infestation, enquire at your local hardware store how to rectify the problem, or as an alternative, rent a petrol powered mower to gain control of the lawn. Push mowers are designed to cut lawns in reasonable condition.

The Metal Guard protects your Garden

The metal guard does not only protect your hands and feet, but also the garden. The push mower can be pushed right up to flowers and shrubs without damaging them. This feature means the push mower can cut the edges of the lawn where garden plants exist minimising any potential damage.

