






The PKS 250/430 L sliding cross-cut and mitre table saw for easy, precise and smooth cutting of wood parts.

The saw even allows double mitre cuts thanks to its tilting and swivelling motor head. **For increased cutting precision, the saw has been equipped with a laser function, i.e. a laser beam is projected onto the section plane of the workpiece. The serially supplied base frame allows working at optimum working heights.** Thanks to its sliding function, the saw can make cuts up to 430mm wide and is therefore ideal for cutting wide panels and laminate floorboard in one go.



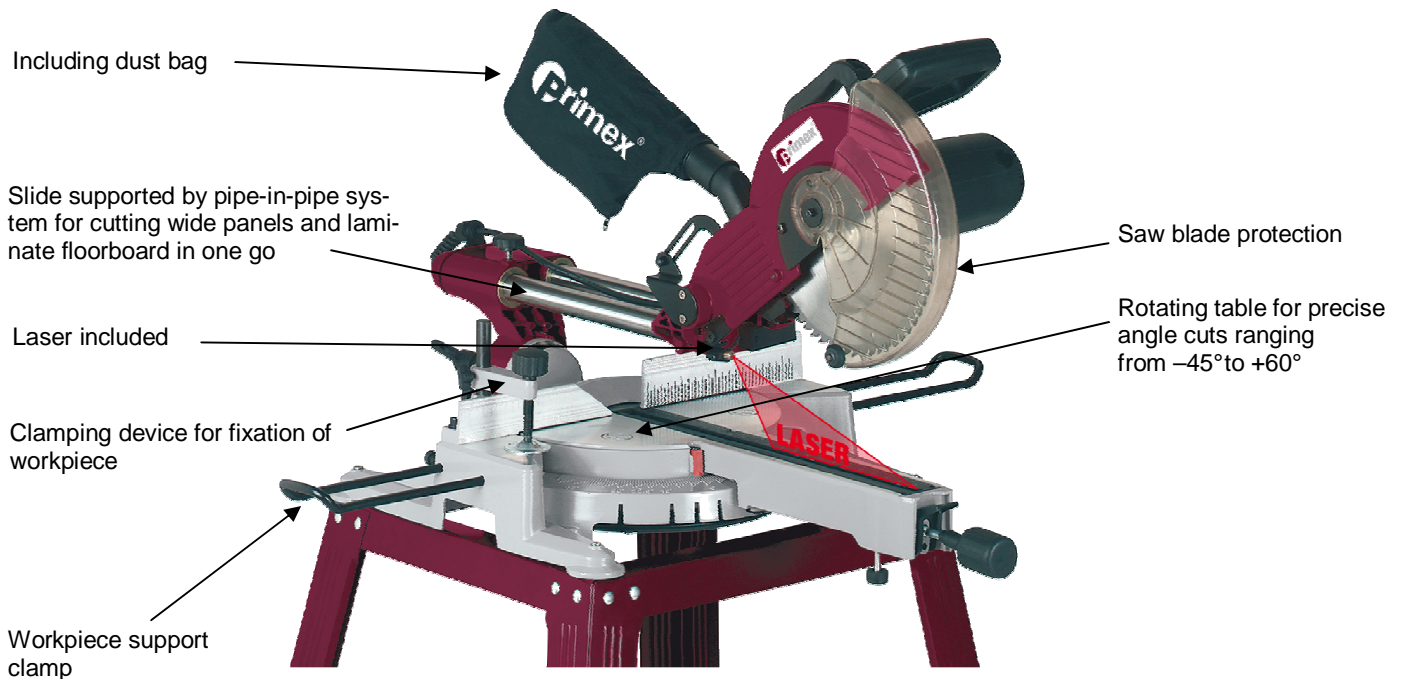
PKS 250/430 L Sliding, cross-cut and mitre saw with base frame

Available as special accessory:	Carbide-tipped saw blade: Ø 250 x Ø 30 mm 24 teeth	Art. No.: 43.111.10 Ident. No.: 01023 Bar Code: 4006825 431223	
	Carbide-tipped saw blade: Ø 250 x Ø 30 mm 48 teeth	Art. No.: 43.111.11 Ident. No.: 01023 Bar Code: 4006825 431230	
	Carbide-tipped saw blade: Ø 250 x Ø 30 mm 60 teeth	Art. No.: 43.111.13 Ident. No.: 01013 Bar Code: 4006825 503166	

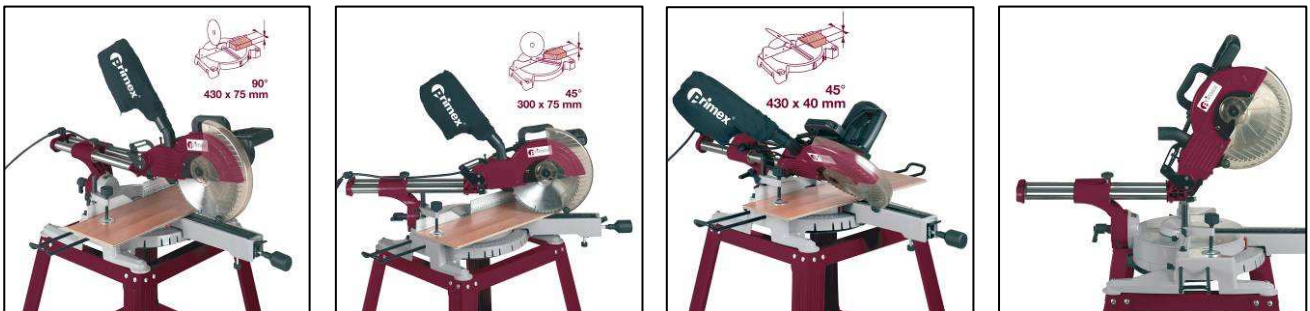
Logistic Information:

Type:	PKS 250/430 L	Sales unit:	1 pc
Art. No.:	43.006.74	20°:	130 pcs
Ident. No.:	01016	40°:	270 pcs
Bar Code:	8591661084024	40° HC:	-- pcs
Packing:	870 x 560 x 440 mm	Weight:	33.7 kgs (gross)





Stable base frame included



Features:

- Slide supported by pipe-in-pipe system
- Carbide-tipped saw blade with 60 teeth
- Rotating table for precise angle cuts ranging from -45° to $+60^{\circ}$
- Motor head continuously tiltable to the left from 0° to $+45^{\circ}$
- Clamping device for fixation of the workpiece
- Including dust bag and work piece support clamp
- Including laser
- Convenient saw blade storage on the backside

Technical Data:

- Main: 230 V ~ 50 Hz
- Power: 2,000 watts
- No load speed n_0 : 4,800 min^{-1}
- Carbide-tipped saw blade: $\varnothing 250 \times \varnothing 30 \times 3.0 \text{ mm}$
- No. of teeth: 60
- Turning range: -45° to $+60^{\circ}$
- Mitre cut: 0° to 45° to the left
- Cutting width $90^{\circ} \times 90^{\circ}$: 430 x 75 mm

Logistic Information:

Type:	PKS 250/430 L	Tool:	Sliding, cross-cut and mitre saw
Art. No.:	43.006.74	Sales unit:	1 pc
Ident. No.:	01016	20``:	130 pcs
Bar Code:	8591661084024	40``:	270 pcs
Packing:	870 x 560 x 440 mm	40``HC:	-- pcs
		Weight:	33.7 kgs (gross)

