

MAINTENANCE

Follow the cleaning procedure after each use. Ensure the unit is thoroughly cleaned before storing to prevent build up of dried paint which can cause blockages and stop the unit from working.

Coil the high pressure hose after cleaning and for storage to prevent damage to the hose.

Caution: Be sure to follow the pressure release procedure when shutting the airless sprayer down for any purpose, including cleaning or adjusting.

- Keep the vents of the spray gun clean at all times. If possible, prevent foreign matter from entering the vents.
- If the body of the spray gun requires cleaning, do not use solvents but a moist soft cloth only. Never let any liquid get inside the gun body; never immerse any part of the spray gun into a liquid.

Note: Ozito Industries will not be responsible for any damage or injuries caused by the repair of the sander by an unauthorised person or by mishandling of the spray gun.

SPARE PARTS

Spare parts can be ordered from the Special Orders Desk at your local Bunnings Warehouse or Homebase store.

For further information, or any parts visit www.ozito-diy.co.uk or contact Ozito Customer Service: Great Britain: 0151 294 4488 Ireland: 1850 882711 E-mail: info@ozito-diy.co.uk

DESCRIPTION OF SYMBOLS

Danger! Read the operating instructions to reduce the risk of inquiry.

Double insulated

Caution! Wear ear-muffs. The impact of noise can cause damage to hearing.

Caution! Wear a breathing mask. Dust which is injurious to health can be generated when working on wood and other materials. Never use the device to work on any materials containing asbestos!

Caution! Wear safety goggles. Sparks generated during working or splinters, chips and dust emitted by the device can cause loss of sight.

Caution! Wear gloves.

TROUBLESHOOTING

Problem	Cause	Remedy
Little or no material flow	Nozzle clogged	Clean using needle
	Suction tube clogged	Clean
	Pressure control dial turned too low (-)	Increase pressure control dial setting (+)
	Suction tube loose	Insert and tighten hose clamp
	Inlet filter clogged	Clean or replace
Material leaking	Nozzle loose	Tighten
	Nozzle worn	Replace
	Nozzle seal worn	Replace
	Material build-up on air cap and nozzle	Clean
Atomization is too coarse	Larger tip and filter required	Refer to spray tip selection chart
	Material volume too large	Decrease pressure control dial setting (-)
	Nozzle clogged	Clean
	Inlet filter clogged	Clean or replace
Pattern runs or sags	Applying too much material	Adjust pressure control dial or increase movement of spray gun
Too much over-spray	Gun too far from spray object	Reduce distance
	Too much material applied	Decrease pressure control dial setting (-)
Pattern is very light and splotty	Moving the spray gun too fast	Adjust pressure control dial or decrease movement of spray gun
Spluttering paint	Air bubbles in the return pipe	Complete bleeding operation to remove air bubbles
Inlet hose not sucking up water when cleaning the unit	Lack of pressure	Complete the bleeding operation to re-prime the unit
Paint station is automatically stopping and starting	This is normal. This ensures the correct operating pressure is maintained	No issue
Fluid is leaking out of the housing hole	The O-Rings may be worn and need replacing.	Replace the worn O-Rings. Contact customer service for information on how to service this part

SERVICE INFORMATION

Please note that the following parts of this product are subject to normal or natural wear and that the following parts are therefore also required for use as consumables.

Category	Example
Wear parts*	
Consumables*	Nozzle
Missing parts	

* Not necessarily included in the scope of delivery!

SOUND & VIBRATION

Sound and vibration values were measured in accordance with EN 1953, EN 60335-2-79, EN 60335-1.

L_{pA} sound pressure level:	93 dB
K_{pA} uncertainty:	3 dB
L_{WA} sound power level	108 dB
K_{WA} uncertainty:	3 dB

Wear ear-muffs.
The impact of noise can cause damage to hearing.

Handle
Vibration emission value a_{hV} = 0.21 m/s²
K uncertainty = 1.5 m/s²

The specified vibration value was established in accordance with a standardized testing method. It may change according to how the electric equipment is used and may exceed the specified value in exceptional circumstances.

The specified vibration value can be used to compare the equipment with other electric power tools.

The specified vibration value can be used for initial assessment of a harmful effect.

Keep the noise emissions and vibrations to a minimum.

- Only use appliances which are in perfect working order.
- Service and clean the appliance regularly.
- Adapt your working style to suit the appliance.
- Do not overload the appliance.
- Have the appliance serviced whenever necessary.
- Switch the appliance off when it is not in use.
- Wear protective gloves.

DECLARATION OF CONFORMITY

ISC GmbH · Eschenstraße 6 · D-94405 Landau/Isar **EU**



explains the following conformity according to EU directives and norms for the following product

Airless Paint Sprayer ASG-7000U (Ozito)

<input type="checkbox"/> 2014/29/EU	<input checked="" type="checkbox"/> 2006/42/EC
<input type="checkbox"/> 2005/32/EC_2009/125/EC	<input type="checkbox"/> Annex IV
<input type="checkbox"/> 2014/35/EU	Notified Body:
<input type="checkbox"/> 2006/28/EC	Notified Body No.:
<input checked="" type="checkbox"/> 2014/30/EU	Reg. No.:
<input type="checkbox"/> 2014/32/EU	<input type="checkbox"/> 2000/14/EC_2005/88/EC
<input type="checkbox"/> 2014/53/EC	<input type="checkbox"/> Annex V
<input type="checkbox"/> 2014/68/EU	<input type="checkbox"/> Annex VI
<input type="checkbox"/> 90/396/EC_2009/142/EC	Noise: measured L_{WA} = dB (A); guaranteed L_{WA} = dB (A)
<input type="checkbox"/> 89/686/EC_96/58/EC	P = KW; L/O = cm
<input checked="" type="checkbox"/> 2011/65/EU	Notified Body:
	<input type="checkbox"/> 2012/46/EU
	Emission No.:

Standard references: EN 60745-1; EN 50580; EN 62321; EN 55014-1; EN 55014-2; EN 61000-3-2; EN 61000-3-3

Landau/Isar, den 13.11.2017

 Weichselgartner/Geschäftsführer-Manager
 Dong/Produkt-Management

First CE: 17
Art.-No.: 30.002.43 I.-No.: 11017
Subject to change without notice

Archive-File/Record: NAPR017963
Documents registrar: Alex Kurz
Wiesenweg 22, D-94405 Landau/Isar



For EU countries only

Never place any electric power tools in your household refuse.

To comply with European Directive 2012/19/EC concerning old electric and electronic equipment and its implementation in national laws, old electric power tools have to be separated from other waste and disposed of in an environment-friendly fashion, e.g. by taking to a recycling depot.

Recycling alternative to the return request:

As an alternative to returning the equipment to the manufacturer, the owner of the electrical equipment must make sure that the equipment is properly disposed of if he no longer wants to keep the equipment. The old equipment can be returned to a suitable collection point that will dispose of the equipment in accordance with the national recycling and waste disposal regulations. This does not apply to any accessories or aids without electrical components supplied with the old equipment.

The reprinting or reproduction by any other means, in whole or in part, of documentation and papers accompanying products is permitted only with the express consent of the ISC GmbH.

Subject to technical changes

ELECTRICAL SAFETY

WARNING! When using mains-powered tools, basic safety precautions, including the following, should always be followed to reduce risk of fire, electric shock, personal injury and material damage.
Read the whole manual carefully and make sure you know how to switch the tool off in an emergency, before operating the tool.
Save these instructions and other documents supplied with this tool for future reference.
Before you connect the equipment to the mains supply make sure that the data on the rating plate are identical to the mains data.

This tool is double insulated therefore no earth wire is required.

GENERAL POWER TOOL SAFETY WARNINGS

WARNING! "Read all safety warnings, instructions, illustrations and specifications provided with this power tool." Failure to follow the warnings and instructions may result in electric shock, fire and/or serious injury.
Save all warnings and instructions for future reference. The term "power tool" in the warnings refers to your mains-operated (corded) power tool or battery-operated (cordless) power tool.

- Work area safety**
 - Keep work area clean and well lit. Cluttered or dark areas invite accidents.
 - Do not operate power tools in explosive atmospheres, such as in the presence of flammable liquids, gases or dust. Power tools create sparks which may ignite the dust or fumes.
 - Keep children and bystanders away while operating a power tool. Distractions can cause you to lose control.
- Electrical safety**
 - Power tool plugs must match the outlet. Never modify the plug in any way. Do not use any adapter plugs with earthed (grounded) power tools. Unmodified plugs and matching outlets will reduce risk of electric shock.
 - Avoid body contact with earthed or grounded surfaces, such as pipes, radiators, ranges and refrigerators. There is an increased risk of electric shock if your body is earthed or grounded.
 - Do not expose power tools to rain or wet conditions. Water entering a power tool will increase the risk of electric shock.
 - Do not abuse the cord. Never use the cord for carrying, pulling or unplugging the power tool. Keep cord away from heat, oil, sharp edges or moving parts. Damaged or entangled cords increase the risk of electric shock.
 - When operating a power tool outdoors, use an extension cord suitable for outdoor use. Use of a cord suitable for outdoor use reduces the risk of electric shock.
 - If operating a power tool in a damp location is unavoidable, use a residual current device (RCD) protected supply. Use of an RCD reduces the risk of electric shock.
- Personal safety**
 - Stay alert, watch what you are doing and use common sense when operating a power tool. Do not use a power tool while you are tired or under the influence of drugs, alcohol or medication. A moment of inattention while operating power tools may result in serious personal injury.
 - Use personal protective equipment. Always wear eye protection. Protective equipment such as dust mask, non-skid safety shoes, hard hat, or hearing protection used for appropriate conditions will reduce personal injuries.
 - Prevent unintentional starting. Ensure the switch is in the off-position before connecting to power source and/or battery pack, picking up or carrying the tool. Carrying power tools with your finger on the switch or energising power tools that have the switch on invites accidents.
- Remove any adjusting key or wrench before turning the power tool on.** A wrench or a key left attached to a rotating part of the power tool may result in personal injury.
- Do not overreach. Keep proper footing and balance at all times.** This enables better control of the power tool in unexpected situations.
- Dress properly. Do not wear loose clothing or jewellery. Keep your hair, clothing and gloves away from moving parts.** Loose clothes, jewellery or long hair can be caught in moving parts.
- If devices are provided for the connection of dust extraction and collection facilities, ensure these are connected and properly used.** Use of dust collection can reduce dust-related hazards.
- Do not let familiarity gained from frequent use of tools allow you to become complacent and ignore tool safety principles.** A careless action can cause severe injury within a fraction of a second.
- Power tool use and care**
 - Do not force the power tool. Use the correct power tool for your application. The correct power tool will do the job better and safer at the rate for which it was designed.
 - Do not use the power tool if the switch does not turn it on and off. Any power tool that cannot be controlled with the switch is dangerous and must be repaired.
 - Disconnect the plug from the power source and/or remove the battery pack, if detachable, from the power tool before making any adjustments, changing accessories, or storing power tools. Such preventive safety measures reduce the risk of starting the power tool accidentally.
 - Store idle power tools out of the reach of children and do not allow persons unfamiliar with the power tool or these instructions to operate the power tool. Power tools are dangerous in the hands of untrained users.
 - Maintain power tools and accessories. Check for misalignment or binding of moving parts, breakage of parts and any other condition that may affect the power tool's operation. If damaged, have the power tool repaired before use. Many accidents are caused by poorly maintained power tools.
 - Keep cutting tools sharp and clean. Properly maintained cutting tools with sharp cutting edges are less likely to bind and are easier to control.
 - Use the power tool, accessories and tool bits etc. in accordance with these instructions, taking into account the working conditions and the work to be performed. Use of the power tool for operations different from those intended could result in a hazardous situation.
 - Keep handles and grasping surfaces dry, clean and free from oil and grease. Slippery handles and grasping surfaces do not allow for safe handling and control of the tool in unexpected situations.
- Service**
 - Have your power tool serviced by a qualified repair person using only identical replacement parts. This will ensure that the safety of the power tool is maintained.

If the supply cord is damaged, it must be replaced by an electrician or a power tool repairer in order to avoid a hazard.

Note: Double insulation does not take the place of normal safety precautions when operating this tool. The insulation system is for added protection against injury resulting from a possible electrical insulation failure within the tool.

Using an Extension Lead

Always use an approved extension lead suitable for the power input of this tool. Before use, inspect the extension lead for signs of damage, wear and ageing. Replace the extension lead if damaged or defective. When using an extension lead on a reel, always unwind the lead completely. Use of an extension lead not suitable for the power input of the tool or which is damaged or defective may result in a risk of fire and electric shock.

ozito

AIRLESS PAINT SPRAYER

700W

ORIGINAL INSTRUCTIONS

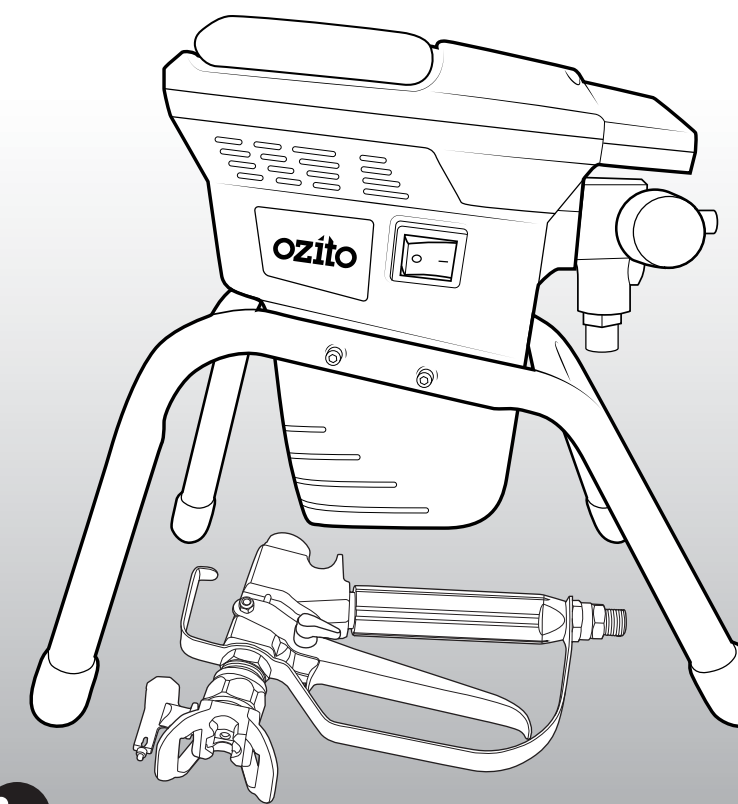
SPECIFICATIONS

Input Power:	700W
Voltage:	220-240V ~ 50-60Hz
Max. Pressure:	200bar
Max. Flow Rate:	1000ml/min
Spray Tip Size:	517
Max. Viscosity:	1000Din-s
Outlet Paint Connector:	G1/4"-19"
Max. Hose Pressure:	228bar
High Pressure Hose:	7.5m
Paint Temperature:	5-40°C
Protection Class:	II
Ingress Protection:	IP 20
Weight (tool only):	9kg

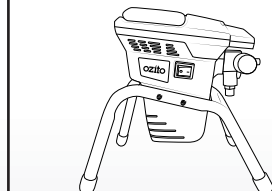
ozito-diy.co.uk



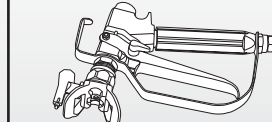
1 YEAR REPLACEMENT WARRANTY



WHAT'S IN THE BOX



Airless Sprayer



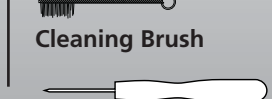
Spray Gun



High Pressure Hose



Hex Key and Spanner x 3



Cleaning Brush

Fine Needle

ASG-7000U

WARRANTY

All of our products undergo strict quality checks to ensure that they reach you in perfect condition. In the unlikely event that your device develops a fault, please contact our service department at the address shown on this guarantee card. You can also contact us by telephone using the customer service number shown. Please note the following terms under which guarantee claims can be made:

1. These warranty terms regulate additional warranty services, which the manufacturer mentioned below promises to buyers of its new products in addition to their statutory guarantee claims are not affected by this guarantee. Our guarantee is free of charge to you.

2. The warranty services only covers defects due to material or manufacturing faults on a product which you have bought from the manufacturer mentioned below are limited to either the rectification of said defects on the product or the replacement of the product, whichever we prefer. Please note that our devices are not designed for use in commercial, trade or professional applications. A guarantee contract will not be created if the device has been used by commercial, trade or industrial business or has been exposed to similar stresses during the guarantee period.

3. The following are not covered by our guarantee:
- Damage to the device caused by a failure to follow the assembly instructions or due to incorrect installation, a failure to follow the operating instructions (for example connecting it to an incorrect mains voltage or current type) or a failure to follow the maintenance and safety instructions or by exposing the device to abnormal environmental conditions or by lack of care and maintenance.
- Damage to the device caused by abuse or incorrect use (for example overloading the device or the use of unapproved tools or accessories), ingress of foreign bodies into the device (such as sand, stones or dust, transport damage), the use of force or damage caused by external forces (for example by dropping it).
- Damage to the device or parts of the device caused by normal or natural wear or tear or by normal use of the device.

4. Your Product is guaranteed for a period of 36 months from the original date of purchase and is intended for DIY (Do It Yourself) use only. Warranty excludes consumable parts. Guarantee claims should be submitted before the end of the guarantee period within two weeks of the defect being noticed. No guarantee claims will be accepted after the end of the guarantee period. The original guarantee period remains applicable to the device even if repairs are carried out or parts are replaced. In such cases, the work performed or parts fitted will not result in an extension of the guarantee period, and no new guarantee will become active for the work performed or parts fitted. This also applies if an on-site service is used.

IN ORDER TO MAKE A CLAIM UNDER THIS WARRANTY YOU MUST RETURN THE PRODUCT TO THE PLACE OF PURCHASE WITH YOUR REGISTER RECEIPT.

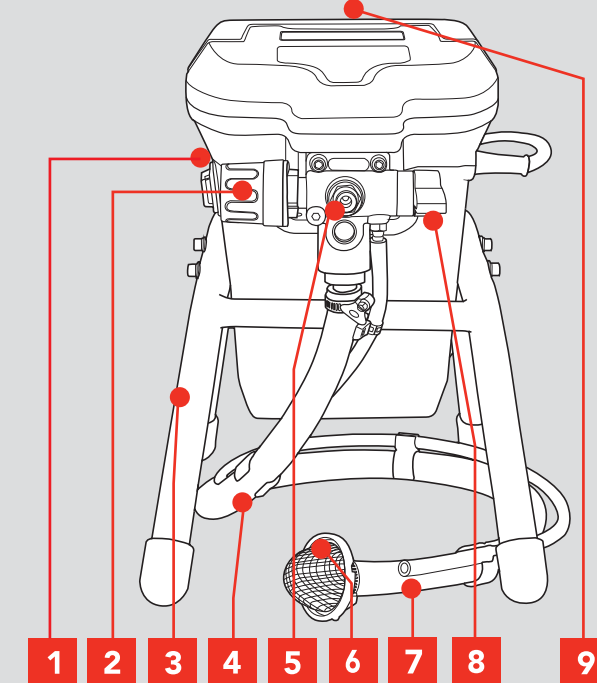
Please refer to the restrictions of this warranty concerning wearing parts, consumables and missing parts as set out in the service information in these operating instructions.

CUSTOMER SERVICE HELPLINE
GB: 0151 294 4488
IRL: 1850 882711
Ozito-diy.co.uk

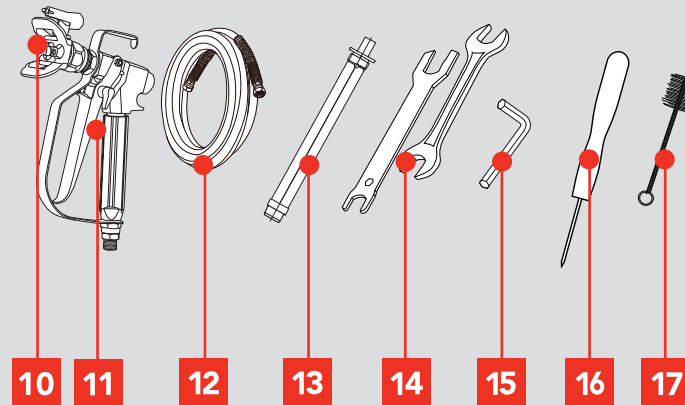
KNOW YOUR PRODUCT

AIRLESS SPRAY GUN

- 1 On/Off Switch
- 2 Pressure Control Dial
- 3 Stand
- 4 Inlet Hose
- 5 Paint Outlet
- 6 Filter
- 7 Return Pipe
- 8 Priming Lever
- 9 Carry Handle



- 10 Nozzle Tip
- 11 Spray Gun
- 12 7.5m High Pressure Hose
- 13 Spray Gun Filter
- 14 Spanner x 3
- 15 Hex Key
- 16 Fine Needle
- 17 Cleaning Brush



ONLINE MANUAL

Scan this QR Code with your mobile device to take you to the online manual.



SETUP & PREPARATION

1. BEFORE USE

Items Supplied

Please check that the article is complete as specified in the scope of delivery. If parts are missing, please contact our service center or the sales outlet where you made your purchase at the latest within 5 working days after purchasing the product and upon presentation of a valid bill of purchase. Also, refer to the warranty table in the service information at the end of the operating instructions.

- Open the packaging and take out the equipment with care.
- Remove the packaging material and any packaging and/or transportation braces (if available).
- Check to see if all items are supplied.
- Inspect the equipment and accessories for transport damage.
- If possible, please keep the packaging until the end of the guarantee period.

Danger!

The equipment and packaging material are not toys. Do not let children play with plastic bags, foils or small parts. There is a danger of swallowing or suffocating!

Proper Use

Suitable for spraying paints and lacquers.

The equipment is to be used only for its prescribed purpose. Any other use is deemed to be a case of misuse. The user / operator and not the manufacturer will be liable for any damage or injuries of any kind caused as a result of this.

Please note that our equipment has not been designed for use in commercial, trade or industrial applications. Our warranty will be voided if the machine is used in commercial, trade or industrial businesses or for equivalent purposes.

Caution!

Residual risks

Even if you use this electric power tool in accordance with instructions, certain residual risks cannot be ruled out. The following hazards may arise in connection with the equipment's construction and layout:

1. Lung damage if no suitable protective dust mask is used.
2. Damage to hearing if no suitable ear protection is used.
3. Health damage caused by hand-arm vibrations if the equipment is used over a prolonged period or is not properly guided and maintained.

Assembly & Set-up

Before using the paint sprayer, some assembly and set-up must be completed. Please refer to the Assembly and Cleaning manual for instructions to follow.

OPERATION

2. TEST SETTINGS

Setting Pressure

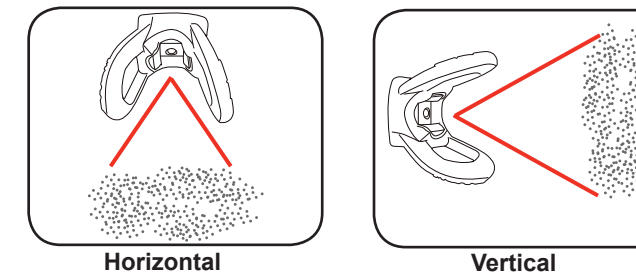
- 1 Set the pressure control dial to a medium - high pressure.
- 2 Test this pressure setting on a scrap piece of material.
- 3 Adjust the pressure setting until a smooth even consistency is achieved.

Speed

- 1 On a scrap piece of material, spray a test patch assessing the speed of stroke required for pressure setting. Lower pressure will require slower speeds and higher pressure faster speeds.

Aligning Spray

- 1 Refer to section 8 Pressure Release. Then rotate the spray guard to match the direction of preferred spray pattern.



Note: The spraying result depends considerably on how well prepared the surface is for painting. Carefully complete proper surface preparation for painting before beginning to spray.

3. SPRAYING PROCEDURE

Note: Ensure the Airless Sprayer has been properly primed before commencing spraying procedure.

- 1 Stand 30cm from area to be sprayed. Maintain this distance.
- 2 Turn the Airless Sprayer on. Release the trigger lock. Ensure the priming lever is in the spray position.
- 3 Begin 15cm off the edge of the area being sprayed. Start the movement of the stroke and then squeeze the trigger.
- 4 Release the trigger once past the opposite edge of the area being sprayed.

4. SPRAYING TECHNIQUE

- 1 Move the gun with the entire arm, not by flexing the wrist. This will keep the spray gun at right angles to the surface, keeping the pattern even.
- 2 Keep the spray gun perpendicular to the surface, so spray distance is consistent.
- 3 Overlap each stroke by 30% to ensure even coverage.

Helpful Hints

- 1 Do not spray outdoors on a windy day as the results may be unsatisfactory.
- 2 Only apply one coat at a time, always allow a coat to completely dry before adding another coat.
- 3 Avoid stopping and starting as this can lead to a patchy finish. It is best to start spraying outside the surface to be sprayed and avoid stopping in the middle of the surface, continue just past the opposite edge.

5. PRESSURE RELEASE

Interim Procedure

If taking a break from spraying for more than several minutes, perform the pressure release procedure below. Place the spray tip in a bucket of water to prevent paint from drying and forming blockages in the spray gun. (Always make sure the unit is switched off before placing the spray tip in a bucket).

Pressure Release Procedure

- 1 Rotate the priming lever into the prime position.
- 2 Aim the spray gun into the paint bucket and squeeze the trigger to release any remaining pressure in the gun.
- 3 Lock the spray gun trigger.
- 4 Switch the spray system off.

6. CLEANING

Clean After Each Use

Follow the cleaning procedure in the separate cleaning manual after each use. Ensure the unit is thoroughly cleaned before storing to prevent build up of dried paint which can cause blockages and stop the unit from working.

Caution: It is crucial to perform the pressure release procedure before starting the cleaning procedure. Follow this procedure diligently as a build-up of dried paint on the operating components can stop the unit from working.

If coating material was water based, use water in the following procedure. If coating material was oil based ie. enamel or lacquer, use solvent based cleaners such as turps.

7. SPRAY TIP SELECTION

Spray tips are numbered so that:

- The first digit, when multiplied by two, gives the spray width in inches
- The last two digits specify the orifice size in thousands of an inch (Note: a larger orifice increases paint flow).

The following are recommended spray tip orifice sizes for varying types of coating material:

Enamel: 0.013 - 0.015
Acrylic: 0.015 - 0.021

This product is provided with a 0.017 tip size.

When selecting a spray tip, choose one that has an orifice size within the above recommended ranges and a spray width to suit the object to be painted. **The below table has been provided to help with spray tip selection.**

SPRAY TIP SELECTION CHART

Spray Width (Inches)	Orifice Size (Inches)				
	.013	.015	.017	.019	.021
2-4	113	115	117	119	121
4-6	213	215	217	219	221
6-8	313	315	317	319	321
8-10	413	415	417	419	421
10-12	513	515	517	519	521
12-14	613	615	617	619	621
14-16	713	715	717	719	721
16-18	813	815	817	819	821
18-20					

Note: When changing tip sizes, the spray gun filter size may also need to be changed. Please contact our Customer Service Department.