



# Einhell

**BLUE**

## BT-LC 400/2 Log Cutting Saw

**Art.-No. 43.071.62**

The BT-LC 400/2 is an extremely sturdy, powerfully and comfortably Firewood-Drum Saw, which offers highest industrial safety despite its high cut achievement. With its 400 mm TCT-saw blade it is optimally capable for sawing branches and stems. The punched barbs avoid the rotation of the saw goods. A high-quality coating protects the machine securely against corrosion. The BT-LC 400/2 is ready for use after a few grips.

### Features

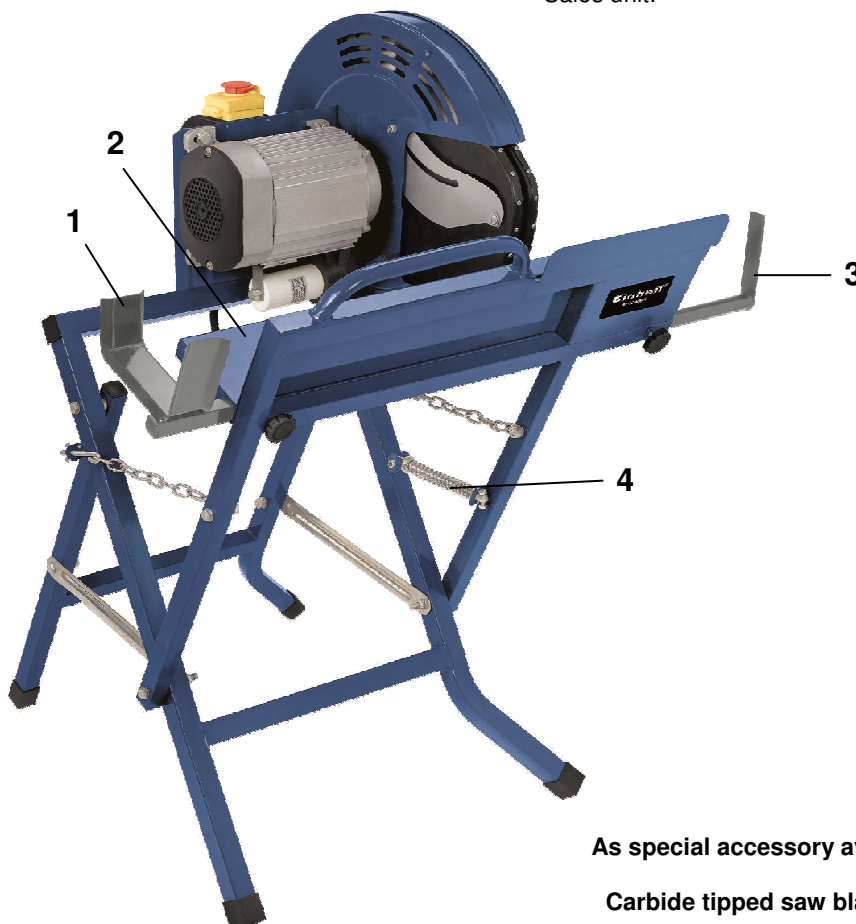
- Compensator extension (1)
- Compensator with barbs (2)
- Length stop (3)
- Reset spring mechanism (4)

### Technical Data

- Mains: 230 V ~ 50 Hz
- Power: 2,200 W S6 40 % / 1,500 W S1
- Rotation speed: 2,860 min<sup>-1</sup>
- TCT saw blade: Ø 400 x Ø 30 x 3 mm; 40 teeth
- Cutting performance max.: Ø 125 mm
- Product weight: 33.1 kg

### Logistic Data

- Net weight: 33.3 kg
- Gross weight: 38.0 kg
- Packing dimensions: 1,100 x 745 x 520 mm
- Bar code: 4006825 541434
- Sales unit: 1 pc



### As special accessory available:

- **Carbide tipped saw blade** Art.-No.: 45.020.90  
Ø 400 x Ø 30 mm, teeth=40 Bar code: 4006825 530216