



***1000W
WET AND DRY VACUUM***



INSTRUCTION MANUAL

MODEL NUMBER BT-VC 1500 SA

AFTER SALES SUPPORT

TEL: 1300 922 271

EMAIL: service.australia@einhell.com

✓ N26704

Wet and Dry Vacuum

What your 1 year warranty means

Great care has gone into the manufacture of this product and it should therefore provide you with years of good service when used properly. In the event of product failure within its intended use over the course of the first 1 year after the date of purchase, we will remedy the problem as quickly as possible once it has been brought to our attention. In the unlikely event of such an occurrence, or if you require any information about the product, please contact us via our after sales support services, details of which can be found in this manual and on the product itself.

Welcome Section

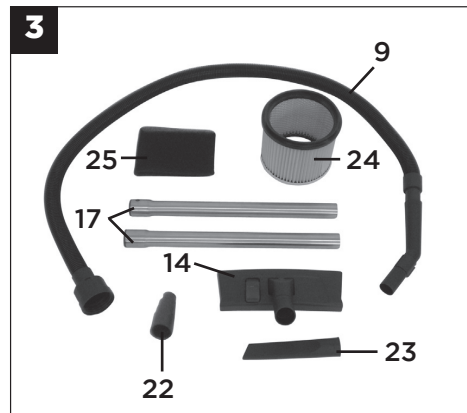
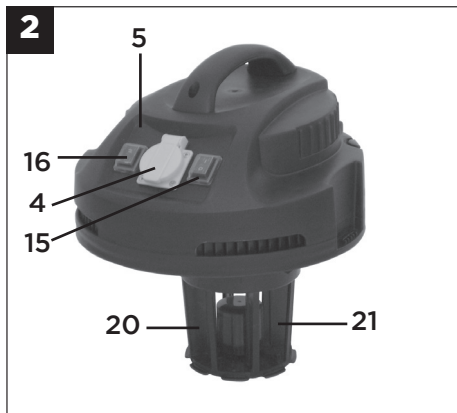
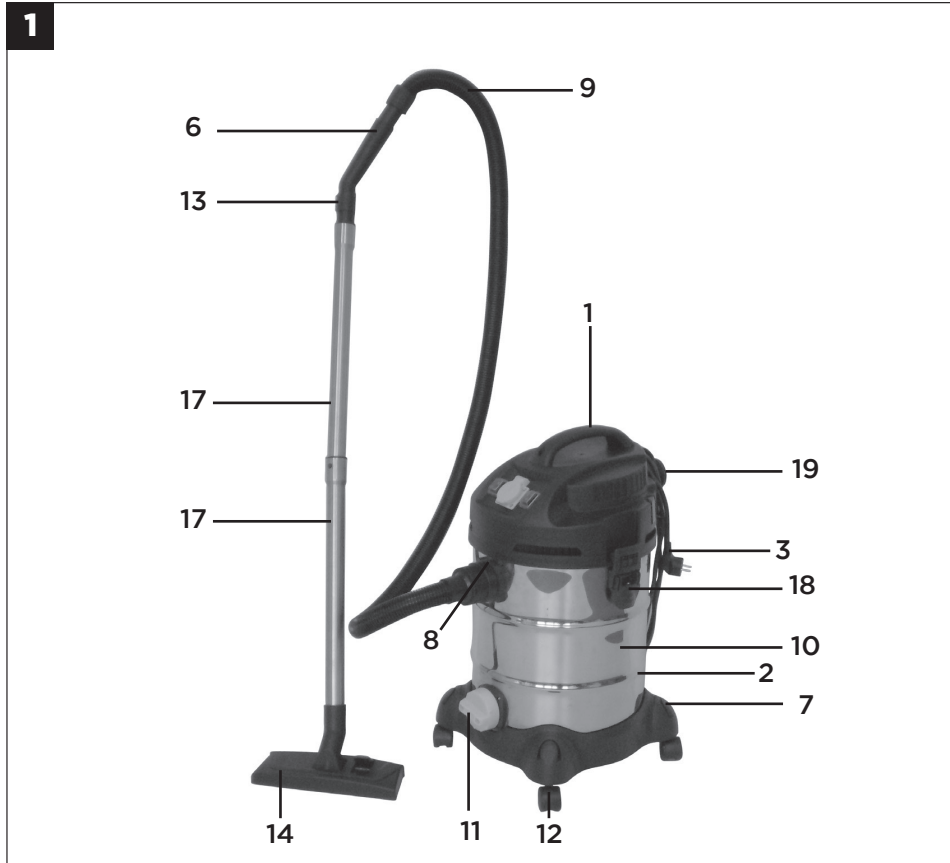
Congratulations on choosing to buy a TAURUS® product.

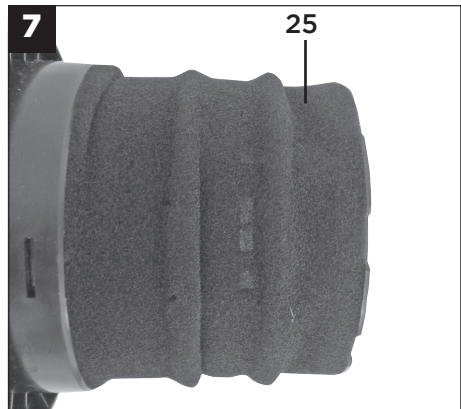
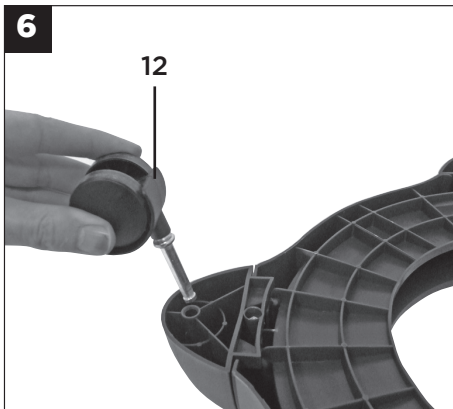
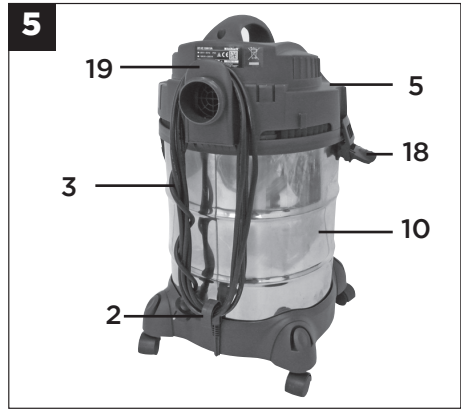
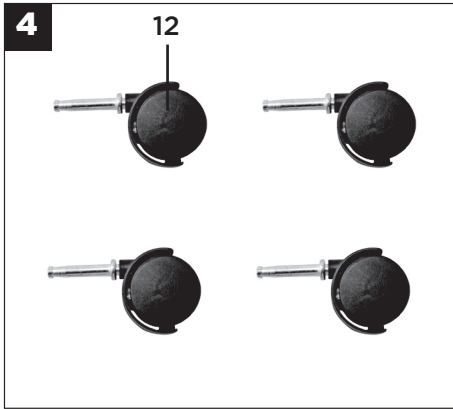
All products brought to you by TAURUS® are manufactured to the highest standards of performance and safety, and, as part of our philosophy of customer service and satisfaction, are backed by our comprehensive 1 Year Warranty.

We hope you will enjoy using your purchase for many years to come.

Table of Contents

1.	Safety regulations	Pg. 5
2.	Layout and items supplied	Pg. 6
3.	Intended use	Pg. 6
4.	Technical data	Pg. 7
5.	Before starting the machine	Pg. 7
6.	Operation	Pg. 7
7.	Cleaning, maintenance and ordering of spare parts	Pg. 8
8.	Disposal and recycling	Pg. 8





GENERAL SAFETY RULES

WARNING! Read all instructions. *Failure to follow all instructions listed below may result in electric shock, fire and/or serious injury. The term "power tool" in all of the warnings listed below refers to your mains-operated (corded) power tool or battery-operated (cordless) power tool.*

SAVE THESE INSTRUCTIONS

1. Work area

- a. **Keep work area clean and well lit.** *Cluttered and dark areas invite accidents.*
- b. **Do not operate power tools in explosive atmospheres,** such as in the presence of flammable liquids, gases or dust. *Power tools create sparks which may ignite the dust or fumes.*
- c. **Keep children and bystanders away while operating a power tool.** *Distractions can cause you to lose control.*

2. Electrical safety

- a. **Power tools plugs must match the outlet.** *Never modify the plug in any way. Do not use any adapter plugs with earthed (grounded) power tool. Unmodified plugs and matching outlets will reduce risk of electric shock.*
- b. **Avoid body contact with earthed or grounded surfaces** such as pipes, radiators, ranges and refrigerators. *There is an increased risk of electric shock if your body is earthed or grounded.*
- c. **Do not expose power tools to rain or wet conditions.** *Water entering a power tool will increase the risk of electric shock.*
- d. **Do not abuse the cord.** *Never use the cord for carrying, pulling or unplugging the power tool. Keep cord away from heat, oil, sharp edges or moving parts. Damaged or entangled cords increase the risk of electric shock.*
- e. **When operating a power tool outdoors,** use an extension cord suitable for outdoor use. *Use of a cord suitable for outdoor use reduces the risk of electric shock.*

3. Personal safety

- a. **Stay alert, watch what you are doing and use common sense when operating a power tool.** *Do not use a power tool while you are tired or under the influence of drugs, alcohol or medication. A moment of inattention while operating power tools may result in serious personal injury.*
- b. **Use safety equipment.** *Always wear eye protection. Safety equipment such as dust mask, non-skid safety shoes, hard hat, or hearing protection used for appropriate conditions will reduce personal injuries.*
- c. **Avoid accidental starting.** *Ensure the switch is in the off-position before plugging in. Carrying power tools with your finger on the switch or plugging in power tools that have the switch on invites accidents.*

- d. **Remove any adjusting key or wrench before turning the power tool on.** *A wrench or a key left attached to rotating part of the power tool may result in personal injury.*
- e. **Do not overreach.** *Keep proper footing and balance at all times. This enables better control of the power tool in unexpected situations.*
- f. **Dress properly.** *Do not wear loose clothing or jewellery. Keep your hair, clothing and gloves away from moving parts. Loose clothes, jewellery or long hair can be caught in moving parts.*
- g. **If devices are provided for the connection of dust extraction and collection facilities,** ensure these are connected and properly used. *Use of these devices can reduce dust-related hazards.*

4. Power tool use and care

- a. **Do not force the power tool.** *Use the correct power tool for your application. The correct power tool will do the job better and safer at the rate for which it was designed.*
- b. **Do not use the power tool if the switch does not turn it on and off.** *Any power tool that cannot be controlled with the switch is dangerous and must be repaired.*
- c. **Disconnect the plug from the power source and/or the battery pack from the power tool before making any adjustments, changing accessories, or storing power tools.** *Such preventive safety measures reduce the risk of starting the power tool accidentally.*
- d. **Store idle power tools out of the reach of children and do not allow persons unfamiliar with the power tool or these instructions to operate the power tool.** *Power tools are dangerous in the hands of untrained users.*
- e. **Maintain power tools.** *Check for misalignment or binding of moving parts, breakage of parts and any other condition that may affect the power tools operation. If damaged, have the power tool repaired before use. Many accidents are caused by poorly maintained power tools.*
- f. **Keep cutting tools sharp and clean.** *Properly maintained cutting tools with sharp cutting edges are less likely to bind and are easier to control.*
- g. **Use the power tool, accessories and tool bits etc. in accordance with these instructions and in the manner intended for the particular type of power tool,** taking into account the working conditions and the work to be performed. *Use of the power tool for operations different from those intended could result in a hazardous situation.*

5. Service

- a. **Have your power tool serviced by a qualified repair person using only identical replacement parts.** *This will ensure that the safety of the power tool is maintained.*

Important!

When using equipment, a few safety precautions must be observed to avoid injuries and damage. Please read the complete operating manual with due care. Keep this manual in a safe place, so that the information is available at all times. If you give the equipment to any other person, give them these operating instructions as well.

We accept no liability for damage or accidents which arise due to non-observance of these instructions and the safety information.

1. Safety Information:

- Important: Read the operating instructions before assembling and using the appliance for the first time.
- Check that the mains voltage is the same as the mains voltage specified on the rating plate.
- Only connect the appliance to a properly fitted 240 V - 50 Hz shock-proof socket.
- Minimum 16 A fuse.
- Pull out the power plug in the following circumstances: Whenever the appliance is not in use, before opening the appliance and before all cleaning and maintenance work.
- Never clean the appliance with solvents.
- Never pull the plug out of the socket by pulling the cable.
- Never leave the appliance unattended when operational.
- Keep away from children.
- Take care to ensure that the power cable does not get damaged by being run over, crushed or pulled etc.
- Do not use the machine if the power cable is in a less than perfect condition.
- If the power cable has to be replaced, the replacement must comply with the design specifications of the manufacturer. Power cable:
- H 05 VV - F 3 x 1.5 mm²
- Never vacuum the following: Burning matches, smoldering ash and cigarette butts, combustible, caustic, inflammable or explosive substances, vapor or liquids.
- This appliance is not suitable for vacuuming dust which can be harmful to health.
- Store the appliance in a dry indoor location.
- Never use the appliance if it is damaged.
- Only allow the appliance to be serviced by an authorized after sales service outlet.
- Only use the appliance to carry out work for which has been designed.
- Take extra care when cleaning steps.
- Use only genuine accessories and spare parts.

This appliance is not intended for use by persons (including children) with reduced physical, sensory or mental capabilities, or lack of experience and knowledge, unless they have been given

supervision or instruction concerning use of the appliance by a person responsible for their safety. Children should be supervised to ensure that they do not play with the appliance. Untidiness in the workplace can lead to risk of accidents.

2. Layout and items supplied (Fig. 1-4)

1. Carry Handle
2. Hook for cable store
3. Power cable
4. Automatic socket-outlet for electric tools
5. Head
6. Handle
7. Accessory holder
8. Suction hose connection
9. Flexible suction hose
10. Tank
11. Water drain screw
12. Castors
13. Air regulator
14. Dual purpose nozzle
15. ON/OFF switch
16. Automatic switch
17. 2-piece suction tube
18. Locking hook
19. Blow connector
20. Filter cage
21. Safety float valve
22. Electric tool adapter
23. Crevice nozzle
24. Pleated filter with cover
25. Foam filter

3. Intended use

The wet and dry vacuum cleaner is designed for wet and dry vacuuming using the appropriate filter. The appliance is not suitable for the vacuuming of combustible, explosive or harmful substances.

The machine is to be used only for its prescribed purpose. Any other use is deemed to be a case of misuse. The user / operator and not the manufacturer will be liable for any damage or injuries of any kind caused as a result of this.

Please note that our equipment has not been designed for use in commercial, trade or industrial applications. Our warranty will be voided if the machine is used in commercial, trade or industrial businesses or for equivalent purposes.

4. Technical data

Mains voltage:	240 V - 50Hz
Power input:	1,000 watts
Max. power consumption of the automatic socketoutlet:	1,400 watts
Max. total power consumption:	2,400 watts
Container volume:	30 L
Weight:	10 kg

5. Before starting

Important!

- Before you connect the appliance to the mains supply make sure that the data on the rating plate are identical to the mains data.
- The appliance may only be connected to a shockproof socket.

5.1 Assembling the appliance

5.1 Appliance assembly

Fitting the castors (Fig. 6/12)

Fit the castors (12) into the appropriate mountings on the underside of the tank (10). Push the castors (12) firmly into the mounting until they engage with a clicking noise (Fig. 6).

Fitting the appliance head (Fig. 5)

The appliance head (5) is fastened to the container (10) by the locking hook (18). To remove the appliance head (5), open the locking hook (18) and remove the appliance head (5). When fitting the appliance head (5), make sure that the locking hook (18) locks into place correctly.

5.2 Fitting the filter

Important!

Never use the wet and dry vacuum cleaner without a filter.
Check that the filter is securely fitted at all times.

Fitting the foam filter (Fig. 7/25)

Important! Remove the pleated filter before you fit the foam filter.

For wet vacuuming, slip the supplied foam filter (25) over the filter basket (Fig. 2/20). The pleated filter (24) already fitted upon delivery is not suitable for wet vacuuming.

Fitting the pleated filter

For dry-vacuuming, slip the pleated filter (Fig. 3/24) over the filter basket (Fig. 2/20). The pleated filter (24) is suitable for dry-vacuuming only.

5.3 Fitting the suction hose (Fig. 1/9)

Connect the suction hose (9) to the corresponding connector on the wet and dry vacuum cleaner, depending on the application required.

Vacuuming

Connect the suction hose (9) to the suction hose connector (8).

Blowing

Connect the suction hose (9) to the blow connector (19).

To extend the suction hose (9) you can attach one or more of the elements which make up the 2-part suction tube (17) to the suction hose (9).

Air regulator (Fig. 1/13)

The air regulator (13) can be fitted between the suction hose (9) and the suction tube (17). The suction power of the nozzle can be infinitely adjusted using the air regulator (13).

5.4 Suction nozzles

Combination nozzle (Fig. 1/14)

For dry vacuuming surfaces use the dual-purpose nozzle (14).

Crevice nozzle (Fig. 1/23)

The crevice nozzle (23) is designed for vacuuming solids and liquids in corners, edges and other areas that are difficult to access.

6. Operation

6.1.1 ON/OFF switch (Fig. 2/15)

Switch position 0: Off
Switch position I: On

6.1.2 Automatic switch (Fig. 2/16)

Switch position _ : Normal mode
Switch position = : Automatic mode

6.2. Dry vacuuming

Use the pleated filter (24) for dry vacuuming (see point 5.2).

Always ensure that the filters are perfectly secure.

6.3 Wet vacuuming

For wet-vacuuming, use the foam filter (25) (see point 5.2).

Check that the filter is securely fitted at all times.

Water drain screw (Fig. 1/11)

To make the tank (10) easier to empty after wet vacuuming, it is fitted with a water drain screw (11). Open the water drain screw (11) by turning it anticlockwise and drain the liquid.

Important!

When wet vacuuming, the floating safety switch (21) closes when the maximum tank level is reached. In doing so, the suction noise of the equipment will change and become louder. Then switch off the equipment and empty the tank.

Important!

The wet and dry vacuum cleaner is not suitable for the vacuuming of combustible liquids. For wet vacuuming, use only the supplied foam filter.

Important! This vacuum is designed not to wash carpets but to vacuum wet residue on floors.

6.4 Automatic mode

Connect the power cable on your electric tool to the automatic socket-outlet (4) and connect the suction hose (9) to the extractor connector on your electric tool. Check that the connections are secure and airtight.

You can use the supplied electric tool adaptor (22) to connect the suction hose (9) to the electric tool.

To do so, fit it between the suction hose and the extractor port on the electric tool.

Set the switch (16) on the wet and dry vacuum cleaner to position =, automatic mode. The moment you switch on the electric tool, the wet and dry vacuum cleaner switches on as well. When you switch off the electric tool, the wet and dry vacuum cleaner switches off as well after a pre-set delay.

6.5 Blowing

Connect the suction hose (9) to the blow connector (19) on the wet and dry vacuum cleaner.

7. Cleaning, maintenance and ordering of spare parts**Important!**

Always pull out the mains power plug before starting any cleaning work.

7.1 Cleaning

- Keep all safety devices, air vents and the motor housing free of dirt and dust as far as possible.
- We recommend that you clean the appliance immediately after you use it.

7.2 Cleaning the appliance head (5)

Clean the appliance regularly with a damp cloth and some soft soap. Do not use cleaning agents or solvents; these may be aggressive to the plastic parts in the appliance.

7.3 Cleaning the container (10)

The container can be cleaned with a damp cloth and some soft soap or under running water, depending on the amount of dirt.

7.4 Cleaning the filters

Cleaning the pleated filter (24)

Clean the pleated filter (24) regularly by carefully patting it and cleaning it with a fine brush or hand brush.

Note: The pleated filter needs to be changed periodically. Frequency of changing depends on use and material being vacuumed.

Cleaning the foam filter (25)

Clean the foam filter (25) with a little soft soap under running water and allow it to air-dry.

7.5 Maintenance

At regular intervals and before each use, check that the filters in the wet and dry vacuum cleaner are securely fitted.

7.6 Ordering replacement parts

Please provide the following information on all orders for spare parts:

- Model/type of the equipment
- Article number of the equipment
- ID number of the equipment
- For further information please call us on 1300 922 271 or email service.australia@einhell.com

8. Disposal and recycling

The device is supplied in packaging to prevent its being damaged in transit. This packaging is raw material and can therefore be reused or can be returned to the raw material system. The appliance and its accessories are made of various types of material, such as metal and plastic. Defective components must be disposed of as special waste.

TAURUS® is a registered trademark of ALDI Stores.

ALDI Guarantee

Specially made for ALDI Stores to our stringent quality specifications. If you are not entirely satisfied with this product, please return it to your nearest ALDI store within 60 days from the date of purchase for a full refund or replacement, or take advantage of our after sales support by calling the supplier's Customer Service Hotline.

06/2012

Art.Nr: 23.421.51_11051