

Original operating instructions  
Table Saw



7

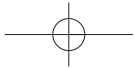
Art.-Nr.: 43.407.58

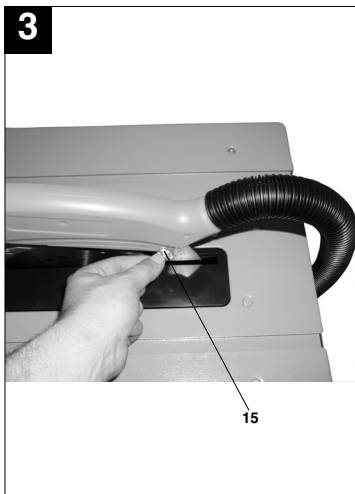
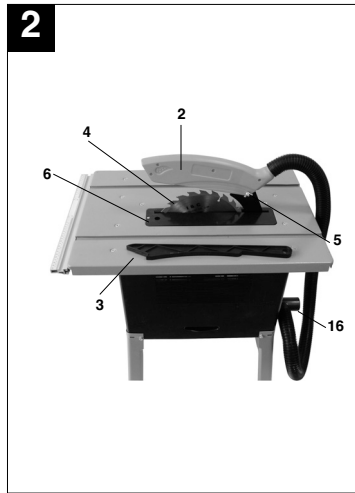
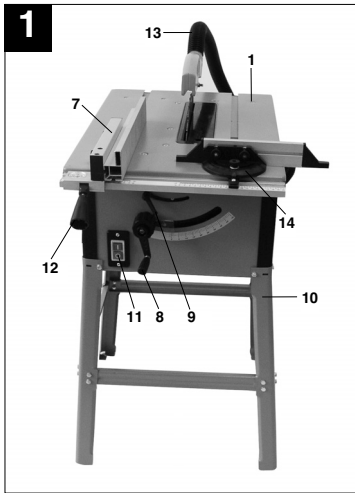
I.-Nr.: 11013

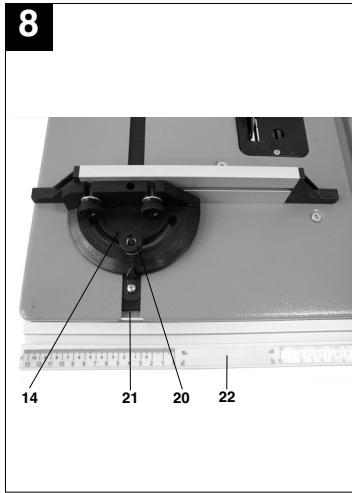
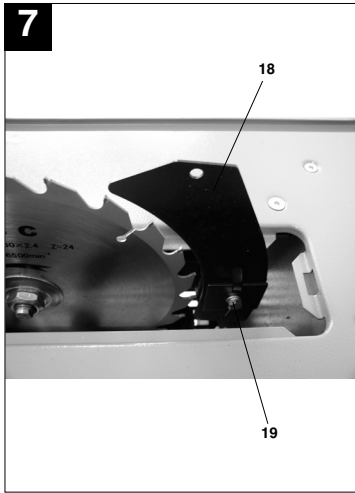
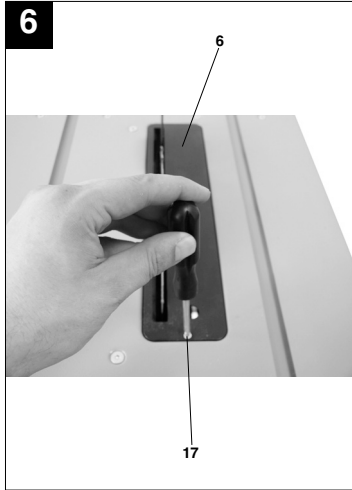
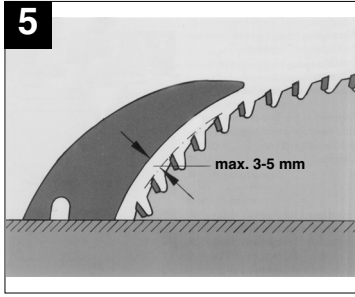
**BTS 1500 Eco**

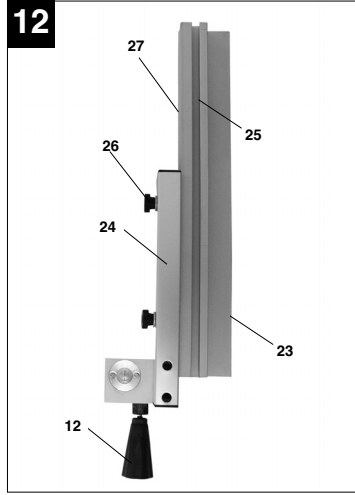
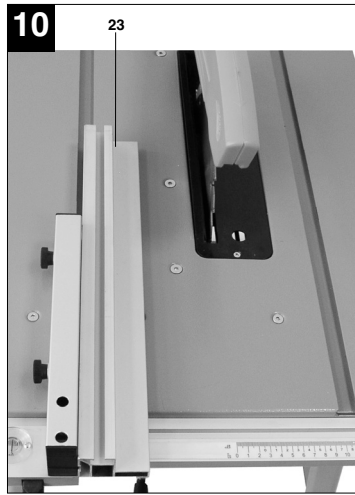
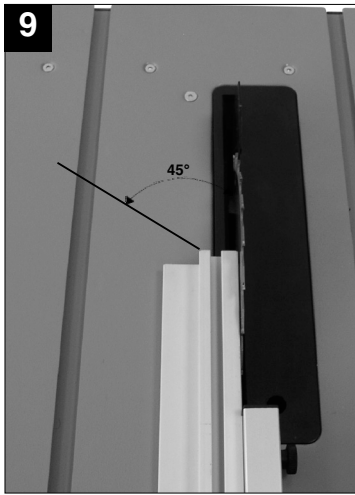


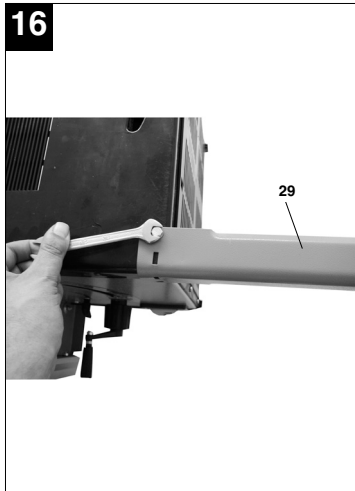
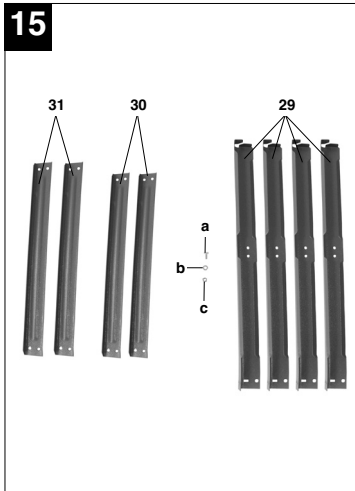
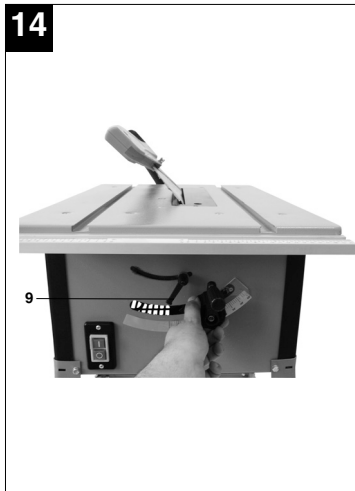
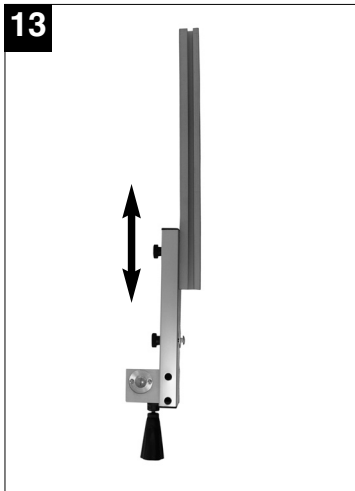
Ⓢ Read and follow the operating instructions and safety information before using for the first time.

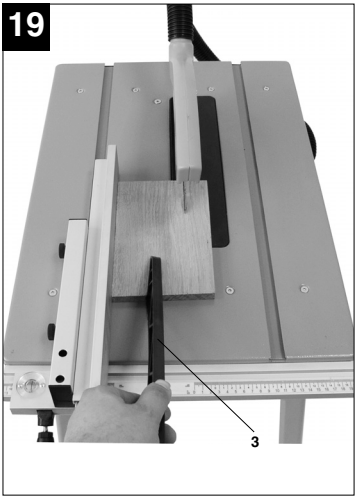
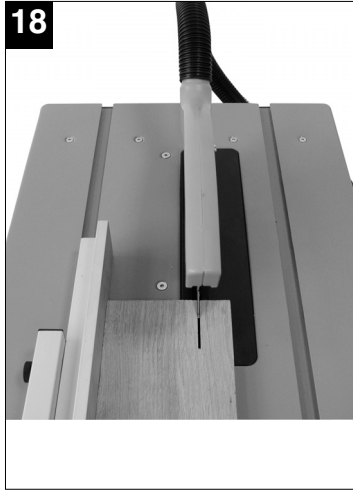
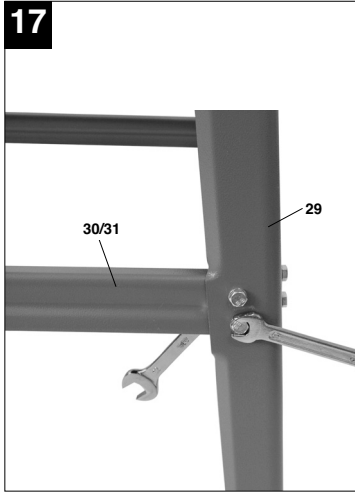


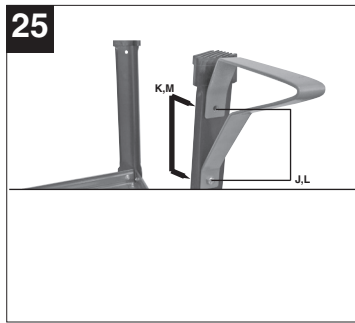
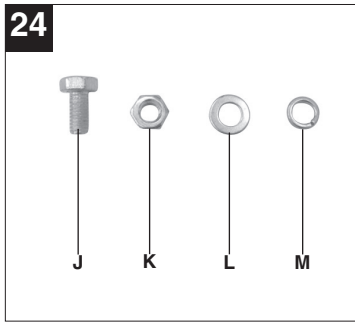
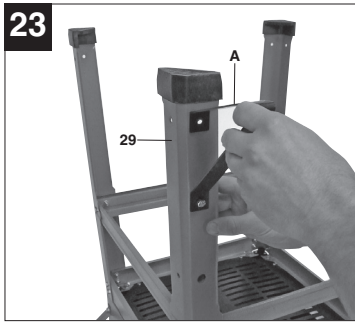
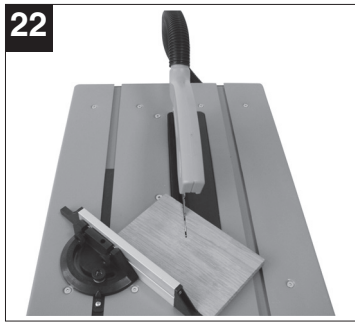














**GB**



"Caution - Read the operating instructions to reduce the risk of injury"



**Wear ear-muffs.**  
The impact of noise can cause damage to hearing.



**Wear a breathing mask.**  
Dust which is injurious to health can be generated when working on wood and other materials.  
Never use the device to work on any materials containing asbestos!



**Wear safety goggles.**  
Sparks generated during working or splinters, chips and dust emitted by the device can cause loss of sight.



**Important:**  
**Risk of injury! Never reach into the running saw blade.**

## 1. Layout (Fig. 1/2)

- 1 Saw table
- 2 Saw blade guard
- 3 Push stick
- 4 Saw blade
- 5 Splitter
- 6 Table insert
- 7 Parallel stop
- 8 Handwheel
- 9 Adjusting and locking grip
- 10 Base frame
- 11 ON/OFF switch
- 12 Eccentric lever
- 13 Extractor hose
- 14 Cross stop
- 15 Screw with wing nut
- 16 Extractor adapter

## 2. Items supplied

- Bench-type circular saw
- Carbide-tipped saw blade
- Parallel stop
- Cross stop

## 3. Proper use

The bench-type circular saw is designed for the slitting and cross-cutting (only with the cross stop) of all types of timber, commensurate with the machine's size.

The machine is **not** to be used for cutting any type of roundwood.

**The machine is to be used only for its prescribed purpose.**

Any other use is deemed to be a case of misuse. The user/operator and not the manufacturer will be held liable for damage and/or injuries of any kind that result from such misuse. The machine is to be operated only with suitable saw blades (saw blades made of HM or CV). It is prohibited to use any type of HSS saw blade and cutting-off wheel. To use the machine properly you must also observe the safety regulations, the assembly instructions and the operating instructions to be found in this manual.

All persons who use and service the machine have to be acquainted with this manual and must be informed about the machine's potential hazards. It is also imperative to observe the accident prevention regulations in force in your area. The same applies for the general rules of occupational health and safety.

### ⚠ Important!

When using the equipment, a few safety precautions must be observed to avoid injuries and damage. Please read the complete operating instructions and safety regulations with due care. Keep this manual in a safe place, so that the information is available at all times. If you give the equipment to any other person, hand over these operating instructions and safety regulations as well. We cannot accept any liability for damage or accidents which arise due to a failure to follow these instructions and the safety instructions.

The manufacturer shall not be liable for any changes made to the machine nor for any damage resulting from such changes.

Even when the machine is used as prescribed it is still impossible to eliminate certain residual risk factors. The following hazards may arise in connection with the machine's construction and design:

- Contact with the saw blade in the uncovered saw zone.
- Reaching into the running saw blade (cut injuries).
- Kick-back of workpieces and parts of workpieces.
- Saw blade fracturing.
- Catapulting of faulty carbide tips from the saw blade.
- Damage to hearing if ear-muffs are not used as necessary.
- Harmful emissions of wood dust when used in closed rooms.

Please note that our equipment has not been designed for use in commercial, trade or industrial applications. Our warranty will be voided if the machine is used in commercial, trade or industrial businesses or for equivalent purposes.



### Safety information

#### ⚠ CAUTION!

**Read all safety regulations and instructions.**

Any errors made in following the safety regulations and instructions may result in an electric shock, fire and/or serious injury.

**Keep all safety regulations and instructions in a safe place for future use.**

- Warning: When using electric tools it is imperative to take the following basic safety precautions in order to reduce the risk of electric shock, injury and fire.
- Take due note of all this information before and

**GB**

- while working with the saw.
- Do not lose these safety regulations.
  - Guard against electric shock. Avoid body contact with earthed parts.
  - When equipment is not being used it should be kept in a dry, closed place out of children's reach.
  - Keep mounted attachments sharp and clean to enable you to work well and safely.
  - Check the power cable regularly and have it replaced by an authorized specialist at the first sign of any damage.
  - Check your extension cables regularly and replace them if damaged.
  - When working outdoors, use only extension cables that are approved for outdoor use and which are marked accordingly.
  - Concentrate on what you are doing. Use common sense. Do not operate the tool if your mind is not on your work.
  - Never use an electric tool with a switch that cannot be turned on and off.
  - Warning! The use of plug-in tools and accessories other than those intended may put you at risk of injury.
  - Always pull the plug out of the power socket before adjusting or servicing the machine.
  - Give these safety regulations to all persons who work on the machine.
  - Do not use this saw to cut fire wood.
  - Do not use this saw to cross-cut roundwood.
  - Caution! Hands and fingers may be injured on the rotating saw blade.
  - The machine is equipped with a safety circuit-breaker (11) to prevent it starting up again after a voltage drop.
  - Before you use the machine for the first time, check that the voltage marked on the rating plate is the same as your mains voltage.
  - If you need to use an extension cable, make sure its conductor cross-section is big enough for the saw's power consumption. Minimum cross-section: 1 mm<sup>2</sup>.
  - If you use a cable reel, the complete cable has to be pulled off the reel.
  - Do not carry the tool by its cable.
  - Check the power cable. Never use a faulty or damaged power cable.
  - Do not use the cable to pull the plug out of the socket. Protect the cable from heat, oil and sharp edges.
  - Do not leave the saw in the rain and never use it in damp or wet conditions.
  - Provide good lighting.
  - Do not saw near flammable liquids or gases.
  - Wear suitable work clothes! Loose garments or jewelry may become caught up in the rotating saw blade.
  - Non-slip shoes are recommended when working outdoors.
  - Wear a hair net if you have long hair.
  - Avoid abnormal working postures.
  - Operators have to be at least 18 years of age. Trainees of at least 16 years of age are allowed to use the machine under supervision.
  - Keep children away from the machine when it is connected to the power supply.
  - Keep your workplace clean of wood scrap and any unnecessary objects.
  - An untidy work area invites accidents.
  - Do not allow other persons, especially children, to touch the tool or cable. Keep them out of your work area.
  - Persons working on the machine should not be distracted.
  - Note the direction of rotation of the motor and saw blade. Use only blades whose permissible maximum speed is not lower than the maximum spindle speed of the bench-type circular saw and of the material to be cut.
  - After you have switched off the motor, never slow down the saw blade (4) by applying pressure to its side.
  - Fit only blades (4) which are well sharpened and have no cracks or deformations.
  - Use only circular saw blades (4) made of high-alloy high-speed steel (HSS).
  - Use only blades which are recommended by the manufacturer, comply with EN 847-1 and come with a warning notice. When changing the blade, make sure that the cutting width is not smaller and the saw plate not bigger than the thickness of the splitter.
  - Faulty saw blades (4) have to be replaced immediately.
  - Never use saw blades which do not comply with the data specified in this manual.
  - Never wedge the hinged guard hood (2) in open position. Use the upper blade guard and set it to the correct position.
  - Never dismantle the machine's safety devices (2, 5) or put them out of operation.
  - If the table insert is worn, replace it.
  - Use the splitter correctly and set it to the correct position. The splitter (5) is an important safety device. Not only does it guide the workpiece, it also prevents the kerf closing behind the blade so that there is no kickback from the workpiece. Note the thickness of the splitter.
  - The guard hood (2) has to be lowered over the workpiece for each cut.
  - Be sure to use a push stick (3) when slitting

- narrow workpieces (smaller than 120 mm in width). Keep the push stick or handle for a push block at the machine at all times, even when you are not using them.
- Never cut workpieces which are too small to hold securely in your hand.
  - **Important:** It is prohibited to use this saw to make plunge cuts.
  - Always stand to the side of the saw blade when working with the saw.
  - Never load the machine so much that it cuts out.
  - Always press the workpiece firmly against the saw table (1).
  - Make sure that off-cuts do not catch on the saw blade crown. Risk of catapulting!
  - Never remove loose splinters, chips or jammed pieces of wood when the saw blade is running.
  - To rectify faults or remove jammed pieces of wood, always switch off the machine first. - Pull out the power plug!
  - If the sawing gap is worn, replace the table insert (6). - Pull out the power plug!
  - Carry out conversions, adjustments, measurements and cleaning jobs only when the motor is switched off. - Pull out the power plug!
  - Before switching on, make sure that all keys and wrenches have been removed from the tool.
  - Switch off the motor and pull out the power plug before you leave the workplace.
  - Refit all guards and safety devices immediately after you have completed any repairs or maintenance work.
  - Be sure to observe the safety information and operating and maintenance instructions issued by the manufacturer, as well as the dimensions listed in the Technical Data.
  - It is imperative to observe the accident prevention regulations in force in your area as well as all other generally recognized rules of safety.
  - Note the information published by your professional associations.
  - Connect up the dust extraction system on all jobs. Circular saws have to be connected to a dust collecting device when used to saw wood. The operator has to be informed about the conditions with an influence on dust development, e.g. the type of material being processed (source and collection of the dust), the significance of local separation arrangements, and the correct setting of hoods, baffle plates and guides.
  - To prevent injuries from flying debris from the workpiece, operate the saw only with a suitable extraction system or a standard industrial vacuum cleaner.
  - The bench-type saw has to be connected to a 230 V socket-outlet with earthing contact and minimum fusing of 10 A.
  - Do not use any low-powered machines for heavy duty work.
  - Do not mis-use the cable
  - Make sure you stand squarely and keep your balance at all times.
  - Check the tool for damage
  - Each time before re-using the tool, carefully check that the guards or any slightly damaged parts are working as intended.
  - Check that the moving parts are in good working order, that they do not jam, and that no parts are damaged. Make sure that all parts are fitted correctly and that all other operating conditions are properly fulfilled.
  - Unless otherwise stated in the operating instructions, damaged safety devices and parts have to be repaired or replaced by an authorized service center.
  - Have damaged switches replaced by a customer service workshop.
  - This electric tool complies with the pertinent safety regulations. Repairs are to be carried out only by a qualified electrician using original replacement parts or the user may suffer an accident.
  - If necessary, wear suitable personal protection equipment. This could consist of:
    - Ear-muffs to prevent the risk of damaging your hearing
    - A breathing mask to prevent the risk of inhaling hazardous dust
  - Always wear gloves when handling saw blades and rough materials. Whenever practicable, saw blades must be carried in a container.
  - The operator has to be informed about the conditions with an influence on noise development (e.g. blades designed to reduce noise emission, caring for blades and saws).
  - Faults on the machine or its guards, safety devices and blade have to be reported to the person in charge as soon as they are discovered.
  - Use only the transport devices to move the machine. Never use the guards for handling and moving the machine.
  - While you are moving the machine it is best to cover the top part of the blade, e.g. with the guard.
  - Do not cut rebates or grooves without fitting a suitable guard, e.g. a tunnel-type guard, over the saw table.
  - Circular saws must not be used for slotting jobs (cutting grooves which end in the workpiece).

**GB****Sound and vibration**

Sound and vibration values were measured in accordance with EN 61029.

	Idle	mode
Sound pressure level LPA	100,6 dB(A)	87,5 dB(A)
K <sub>pA</sub> uncertainty	3 dB	
Sound power level LWA	112,6 dB(A)	101,1 dB(A)
K <sub>WA</sub> uncertainty	3 dB	

The quoted values are emission values and not necessarily reliable workplace values. Although there is a correlation between emission and immission levels it is impossible to draw any certain conclusions as to the need for additional precautions. Factors with a potential influence on the actual immission level at the workplace include the duration of impact, the type of room, and other sources of noise etc., e.g. the number of machines and other neighboring operations. Reliable workplace values may also vary from country to country. With this information the user should at least be able to make a better assessment of the dangers and risks involved.

**Wear ear-muffs.**

The impact of noise can cause damage to hearing.

**„Keep the noise emissions and vibrations to a minimum.**

- Only use appliances which are in perfect working order.
- Service and clean the appliance regularly.
- Adapt your working style to suit the appliance.
- Do not overload the appliance.
- Have the appliance serviced whenever necessary.
- Switch the appliance off when it is not in use.

**4. Technical data**

AC motor	230V ~ 50Hz
Power P	S1 1200 W S6 40% 1500 W
Idle speed n <sub>s</sub>	5700 min <sup>-1</sup>
Cutting-off wheel	Ø 250 x Ø 30 x Ø 2.4 mm
Number of teeth	24
Table size	640 x 446 mm
Cutting height max.	75 mm / 90° 48 mm / 45°
Height adjustment	infinite 0 -75 mm
Tilting saw blade	infinite 0° - 45°
Extractor socket	Ø 35 mm
Weight	23 kg

Operating mode S6 40%: Continuous operation with idling (cycle time 10 minutes). To ensure that the motor does not become excessively hot it may only be operated for 40% of the cycle at the specified rating and must then be allowed to idle for 60% of the cycle.

**5. Before putting the machine into operation**

- Unpack the bench-type circular saw and check it for damage which may have occurred in transit.
- The machine has to be set up where it can stand firmly, e.g. on a work bench, or it must be bolted to a strong base.
- All covers and safety devices have to be properly fitted before the machine is switched on.
- It must be possible for the saw blade to run freely.
- When working with wood that has been processed before, watch out for foreign bodies such as nails or screws etc.
- Before you actuate the On/Off switch, make sure that the saw blade is correctly fitted and that the machine's moving parts run smoothly.
- Before you connect the machine to the power supply, make sure the data on the rating plate is the same as that for your mains.

## 6. Assembly

**Important! Pull out the power plug before carrying out any maintenance, resetting or assembly work on the cutting-off machine!**

### 6.1 Assembling the base frame (Fig. 15/16/17)

- Turn the saw upside down and place it on the floor.
- Use the washers (b) and the hex screws (a) to fasten the 4 legs (29) loosely to the saw.
- Now use the hex screws (a), the washers (b) and the nuts (c) to fasten the longitudinal struts (31) and the cross-struts (30) loosely to the legs.  
**Please note:** The longer struts have to be used on the sides.
- Finally, tighten all screws and nuts on the base frame.
- Screw the additional legs (A) to the rear legs (29) so that they point towards the rear of the machine (Fig. 23).

### 6.2 Fitting / removing the saw blade guard (Fig. 3)

- Mount the saw blade guard (2) on the splitter (5) so that the screw fits through the hole (18) in the splitter.
- Do not tighten the screw (15) too far – the blade guard must be able to move freely.
- Fasten the extractor hose (13) to the extractor adapter (16) and to the extractor socket of the blade guard (2).
- A suitable extractor system has to be connected to the outlet of the extractor adapter (16).
- To remove the saw blade guard, proceed in reverse order.

**Important!**

**The guard hood (2) must always be lowered over the workpiece before you begin to cut.**

### 6.3. Setting the splitter (Fig. 3/5/6/7)

- **Important! Pull out the power plug.**
- Set the blade (4) to max. cutting depth, move to 0° position and lock in place.
- Remove the saw blade guard (see 6.2).
- Take out the table insert (6) (see 6.4).
- Slacken the fixing screw (19).

#### 6.3.1. Setting for maximum cuts (Fig. 5/6/7)

- Push up the splitter (5) until the gap between the saw table (1) and the upper edge of the splitter (5) equals approx. 10 cm.
- The distance between the blade (4) and the splitter (5) should be 3-5 mm.
- Retighten the screw (19) and mount the table insert (6) (Fig. 6).

### 6.4 Changing the table insert (Figure 6)

- To prevent increased likelihood of injury the table insert should be changed whenever it is worn or damaged.
- Remove the saw blade guard (2).
- Remove the 1 countersunk head screws (17).
- Take out the worn table insert (6).
- To fit the replacement table insert, proceed in reverse order.

### 6.5 Fitting/replacing the blade (Fig. 4)

- **Important! Pull out the power plug first.**
- Remove the table insert by undoing the two countersunk head screws (see 6.4).
- Undo the nut with a size 24 wrench on the nut itself and a second fork wrench (size 13) on the motor shaft to apply counter-pressure.
- **Important!** Turn the nut in the direction of rotation of the saw blade.
- Take off the outer flange and pull the old saw blade off the inner flange by dropping the blade at an angle.
- Clean the blade flange thoroughly before fitting the new blade.
- Mount and fasten the new saw blade in reverse order.
- **Important! Note the running direction. The cutting angle of the teeth must point in running direction, i.e. forwards (see the arrow on the blade guard).**
- Refit and set the splitter (5) and the saw guard (2) (see 6.2., 6.3.)
- Check to make sure that all safety devices are properly mounted and in good working condition before you begin working with the saw again.

## 7. Using the saw

### 7.1. ON/OFF switch (Fig. 1)

- To turn the saw on, press the green button "I". Wait for the blade to reach its maximum speed of rotation before commencing with the cut.
- To turn the machine off again, press the red button "0".

### 7.2. Cutting depth (Fig. 1)

- Turn the hand crank (8) to set the blade (4) to the required cutting depth.
- |                      |                       |
|----------------------|-----------------------|
| Turn anti-clockwise: | larger cutting depth  |
| Turn clockwise:      | smaller cutting depth |

**GB****7.3. Parallel stop****7.3.1. Stop height (Fig. 11-13)**

- The parallel stop (7) supplied with the bench-type circular saw has two different guide faces.
- For thick material you must use the stop rail (23) as shown in Fig. 11, for thin material you must use the stop rail as shown in Fig. 10.
- To change over the stop rail (23) to the lower guide face you have to slacken the two knurled screws (26) in order to disconnect the stop rail (23) from the holder (24).
- Remove the two knurled screws (26) through the one slot (27) in the stop rail (23) and insert in the other slot (25).
- Remount the stop rail (23) on the holder (24).
- The procedure for changing over to the high guide face is similar.

**7.3.2. Cutting width:**

- The parallel stop (7) has to be used when making longitudinal cuts in wooden workpieces.
- The parallel stop (7) can be mounted on either side of the saw table (1).
- The parallel stop (7) has to be mounted in the guide rail (28) of the saw table (1).
- The parallel stop (7) can be set to the required dimension with the help of the scale (22) on the guide rail (1).
- You can clamp the parallel stop in the required position by pressing the eccentric lever (12).

**7.3.3. Setting the stop length (Fig. 9)**

- The stop rail (23) can be moved in longitudinal direction in order to prevent the workpiece from becoming jammed.
- Rule of thumb: The rear end of the stop comes up against an imaginary line that begins roughly at the center of the blade and runs at an angle of 45° to the rear.
- Set the required cutting width
  - Slacken the knurled screws (26) and push the stop rail (23) forward until it touches the imaginary 45° line.
  - Retighten the knurled screws (26).

**7.4. Cross stop (Figure 8)**

- Slide the cross stop (14) into the groove (21) of the table.
- Slacken the knurled screw (20).
- Turn the cross stop (14) until the arrow points to the angle required.
- Retighten the knurled screw (20).

**Important!**

- Do not push the stop rail (23) too far toward the blade.

- The distance between the stop rail (23) and the blade (4) should be approx. 2 cm.

**7.5. Setting the angle (Fig. 14)**

- Undo the fixing handle (9).
- Turn the handle to set the desired angle on the scale.
- Lock the fixing handle again in the required angle position.

**8. Operation****Important!!**

- After every new adjustment we recommend you to make a trial cut in order to check the new settings.
- After switching on the saw, wait for the blade to reach its maximum speed of rotation before commencing with the cut.
- Take extra care when starting the cut!
- Never use the equipment without the suction function. Regularly check and clean the suction channels.

**8.1. Making longitudinal cuts (Figure 18)**

Longitudinal cutting (also known as slitting) is when you use the saw to cut along the grain of the wood. Press one edge of the workpiece against the parallel stop (7) while the flat side lies on the saw table (1). The guard hood (2) must always be lowered over the workpiece.

When you make a longitudinal cut, never adopt a working position that is in line with the cutting direction.

- Set the parallel stop (7) in accordance with the workpiece height and the desired width. (See 7.3.)
- Switch on the saw.
- Place your hands (with fingers closed) flat on the workpiece and push the workpiece along the parallel stop (7) and into the blade (4).
- Guide at the side with your left or right hand (depending on the position of the parallel stop) only as far as the front edge of the guard hood.
- Always push the workpiece through to the end of the splitter (5).
- The offcut piece remains on the saw table (1) until the blade (4) is back in its position of rest.
- Secure long workpieces against falling off at the end of the cut (e.g. with a roller stand etc.) .

**8.1.2. Cutting narrow workpieces (Fig. 19)**

- **Be sure** to use a push stick (3) when making longitudinal cuts in workpieces smaller than 120 mm in width. A push block is supplied with the saw!  
**Replace a worn or damaged push stick immediately.**

**8.1.3. Cutting extremely narrow workpieces (Fig. 20)**

- **Be sure** to use a push block when making longitudinal cuts in very narrow workpieces with a width of 30 mm and less.
- The low guide face of the parallel stop is best used in this case.  
**There is no push block supplied with the saw! (Available from your specialist dealer) Replace the push block without delay when it becomes worn.**

**8.1.4. Making bevel cuts (Fig. 14/21)**

Bevel cuts must always be used using the parallel stop (7).

- Set the blade (4) to the desired angle. (See 7.5.)
- Set the parallel stop (7) in accordance with the workpiece width and height (see 7.3.1)
- Carry out the cut in accordance with the workpiece width (see 8.1.1., 8.1.2 and 8.1.3.)

**8.1.5. Making cross cuts (Fig. 22)**

- Slide the cross stop (21) into one of the grooves (21) in the table and adjust to the required angle. (See 8.4.) If you also want to tilt the blade (4), use the groove (21) which prevents your hand and the cross stop from making contact with the blade guard.
- Press the workpiece firmly against the cross stop (14).
- Switch on the saw.
- Push the cross stop (14) and the workpiece toward the blade in order to make the cut.
- **Important:**  
**Always hold the guided part of the workpiece. Never hold the part which is to be cut off.**
- Push the cross stop (14) forward until the workpiece is cut all the way through.
- Switch off the saw again. Do not remove the offcut until the blade has stopped rotating.

**9. Maintenance**

- **Important!** Pull out the power plug first.
- Remove dust and dirt regularly from the machine. Cleaning is best carried out with a fine brush or a cloth.
- Never use caustic agents to clean plastic parts.

**10. Ordering replacement parts**

Please provide the following information on all orders for replacement parts:

- Model/type of device
  - Article number of the device
  - ID number of device
  - Number of the required replacement part
- For our latest prices and information please call 1300 922 271.



The guarantee provided in this Guarantee Certificate is given by Einhell Australia Pty Limited  
ACN 134 632 858 of 6/166 Wellington Street, Collingwood, Victoria (Telephone number 1300 922 271)  
(Einhell Express Guarantee).

## GB GUARANTEE CERTIFICATE

Dear Customer,

All of our products undergo strict quality checks. In the unlikely event that your device develops a fault, please contact our service department at the address shown on this guarantee certificate. Of course, if you would prefer to call us then we are also happy to offer our assistance under the service number printed below. Please note the following terms under which claims under the Einhell Express Guarantee can be made:

1. The benefits conferred by the Einhell Express Guarantee are in addition to all rights and remedies which you may be entitled to under the Australian Consumer Law, and any other statutory rights you may have under other applicable laws. This Einhell Express Guarantee does not exclude, restrict or modify any such rights or remedies.

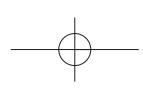
We do not charge you for the Einhell Express Guarantee.

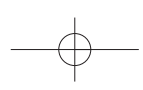
2. Our goods come with guarantees that cannot be excluded under the Australian Consumer Law. You are entitled to a replacement or refund for a major failure and for compensation for any other reasonably foreseeable loss or damage. You are also entitled to have the goods repaired or replaced if the goods fail to be of acceptable quality and the failure does not amount to a major failure.
3. The Einhell Express Guarantee only covers problems caused by material or manufacturing defects, and our liability under the Einhell Express Guarantee is limited, at our discretion, to the rectification of these defects or replacement of the product. Please note that the product has not been designed for use in commercial, trade or industrial applications. Consequently, the Einhell Express Guarantee will not apply if the product is used in commercial, trade or industrial applications or for other equivalent activities.
4. The following are also excluded from the Einhell Express Guarantee: compensation for transport damage, damage caused by failure to comply with the installation/assembly instructions or damage caused by unprofessional installation, failure to comply with the operating instructions (e.g. connection to the wrong mains voltage or current type), misuse or inappropriate use (such as overloading of the product or use of non-approved tools or accessories), failure to comply with the maintenance and safety regulations, ingress of foreign bodies into the product (e.g. sand, stones or dust), effects of force or external influences (e.g. damage caused by the product being dropped) and normal wear resulting from proper operation of the product. The Einhell Express Guarantee will also not apply if any attempt is made to tamper with the product.
5. The Einhell Express Guarantee is valid for a period of 2 years starting from the purchase date of the product. Claims made under the Einhell Express Guarantee should be submitted before the end of this guarantee period and within two weeks of the defect being noticed. No claims under the Einhell Express Guarantee will be accepted if submitted after the end of this guarantee period. The original guarantee period remains applicable to the device even if repairs are carried out or parts are replaced. In such cases, the work performed or parts fitted will not result in an extension of the guarantee period for the Einhell Express Guarantee, and the Einhell Express Guarantee will not apply for the work performed or parts fitted. This also applies when an on-site service is used.
6. To make a claim under the Einhell Express Guarantee, please send the relevant product postage-free to the address shown below and enclose either the original or a copy of your sales receipt or another dated proof of purchase. It would help us if you could describe the nature of the problem in as much detail as possible. If the defect is covered by the Einhell Express Guarantee, your product will be repaired immediately and returned to you, or we will send you a new device (at our election).

Any costs incurred by you in making a claim under this Einhell Express Guarantee, unless specified otherwise in this guarantee certificate, must be borne by you.

Of course, we are also happy to offer a chargeable repair service for any defects which are not covered by the scope of the Einhell Express Guarantee or for products which are no longer covered by the Einhell Express Guarantee. To take advantage of this service, please send the product to our service address.

EINHELL AUSTRALIA PTY LTD  
6/166 Wellington Street  
Collingwood VIC 3066  
Australia  
Phone: 1300 922 271







EH 06/2013 (01)

