

**PARKSIDE**

**PDKS 120 A1**



GB

### SCROLL SAW

Operation and Safety Notes  
Original operating instructions

FI

### KUVIOSAHA

Käyttö- ja turvaohjeet  
Alkuperäiskäyttöohje

SE

### DEKUPÖRSÅG

Bruksanvisning och säkerhetsanvisningar  
Original-bruksanvisning

DK

### DEKUPØRSAV

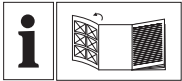
Brugs- og sikkerhedsanvisninger  
Original betjeningsvejledning

DE AT CH

### DEKUPIERSÄGE

Bedienungs- und Sicherheitshinweise  
Originalbetriebsanleitung

3



GB

Before reading, unfold the page containing the illustrations and familiarise yourself with all functions of the device.

---

FI

Käännä ennen lukemista kuvallinen sivu esiin ja tutustu seuraavaksi laitteen kaikkiin toimintoihin.

---

SE

Vik ut bildsidan och ha den till hands när du läser igenom anvisningarna och gör dig bekant med apparatens / maskinens funktioner.

---

DK

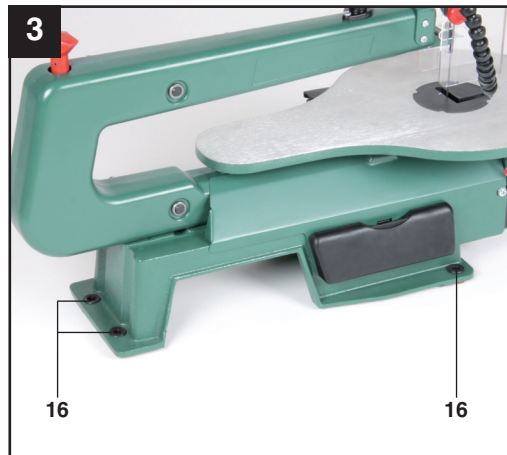
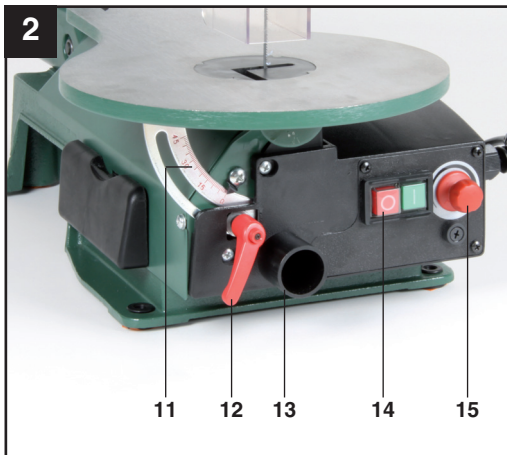
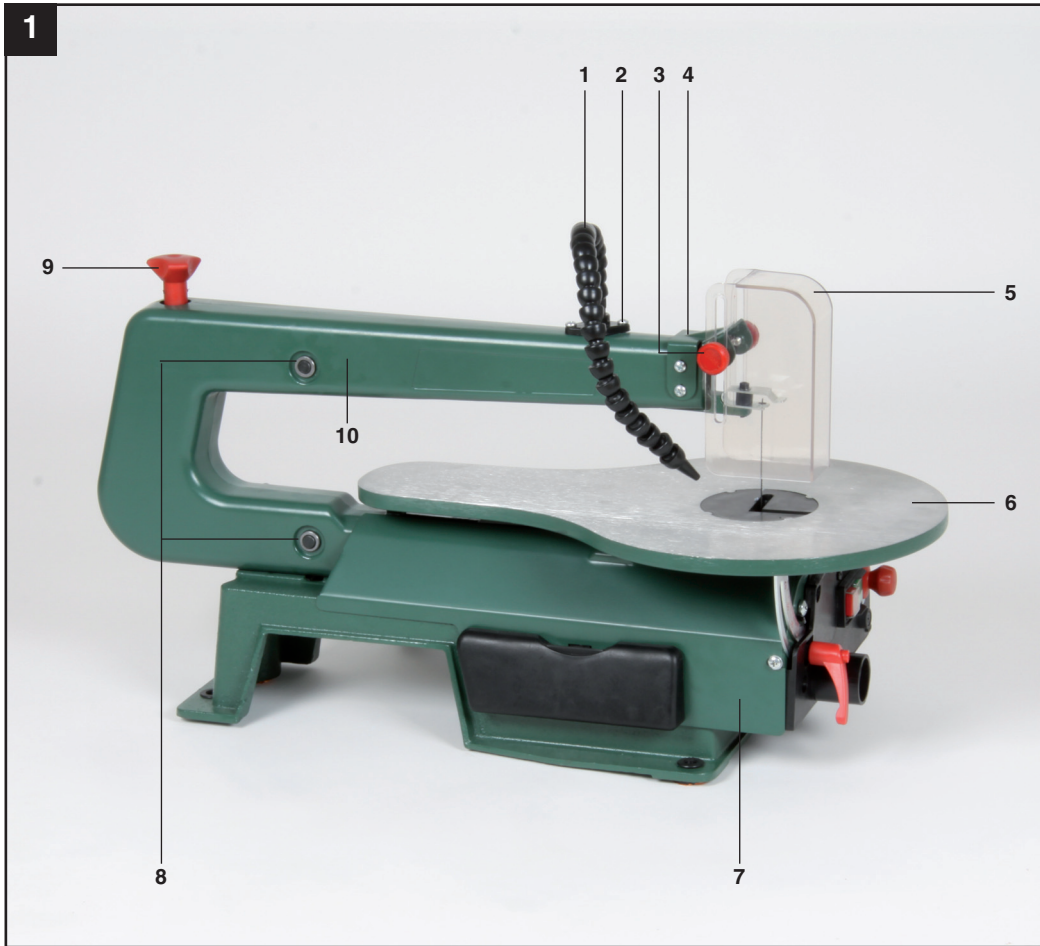
Før du læser, vend siden med billeder frem og bliv bekendt med alle apparatets funktioner.

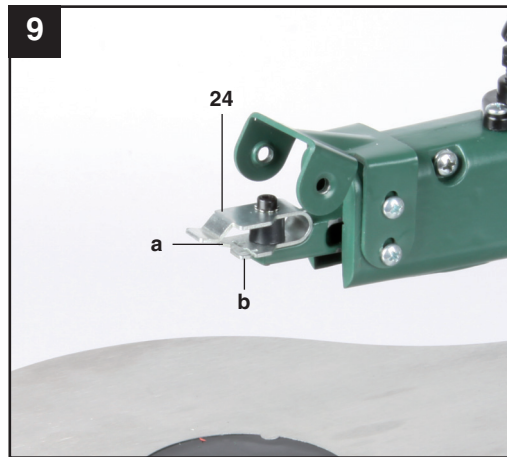
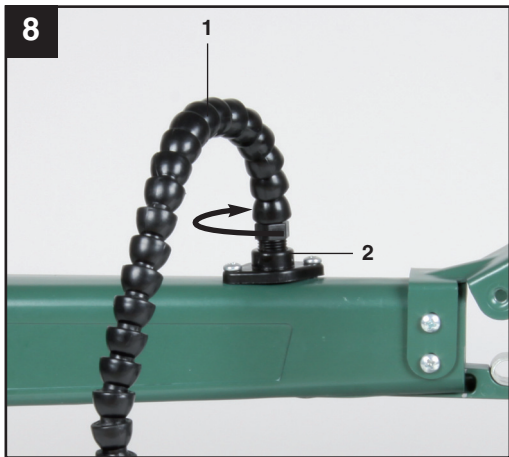
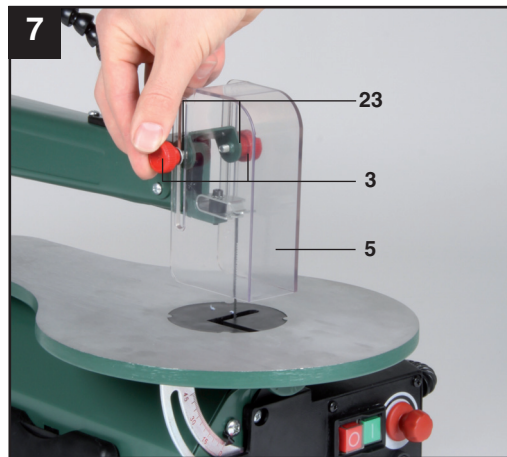
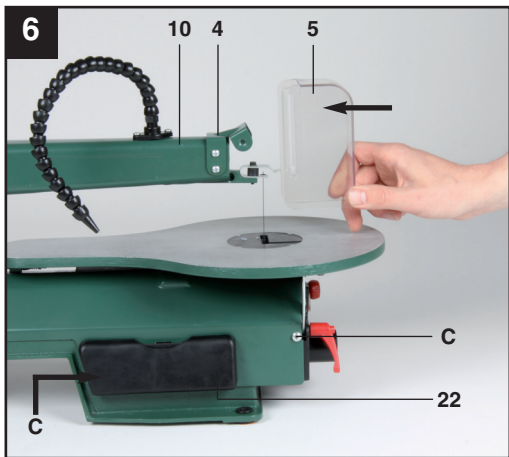
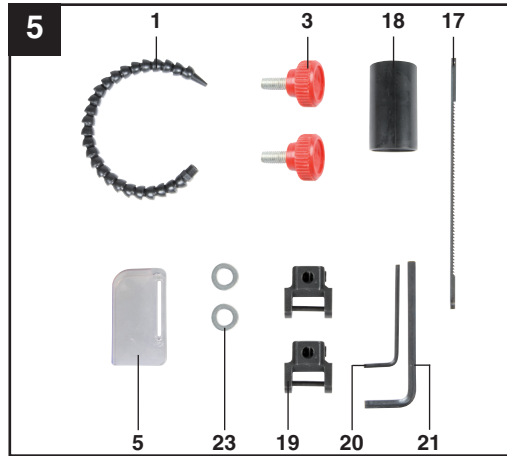
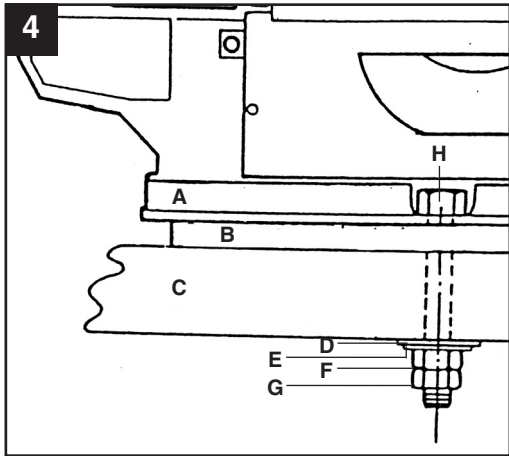
---

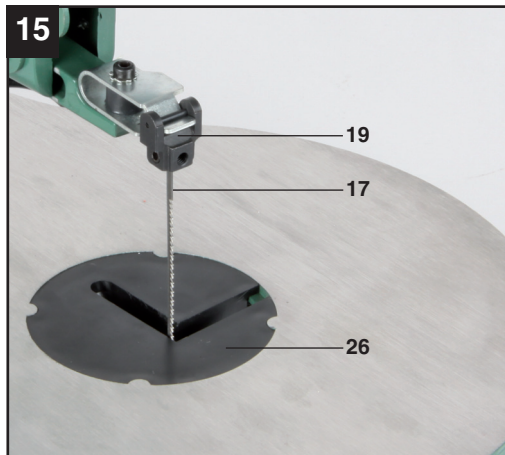
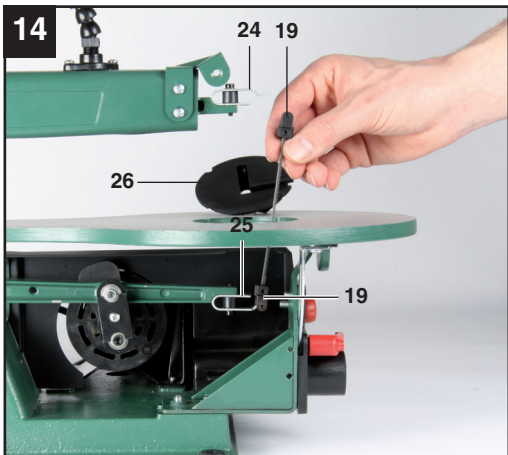
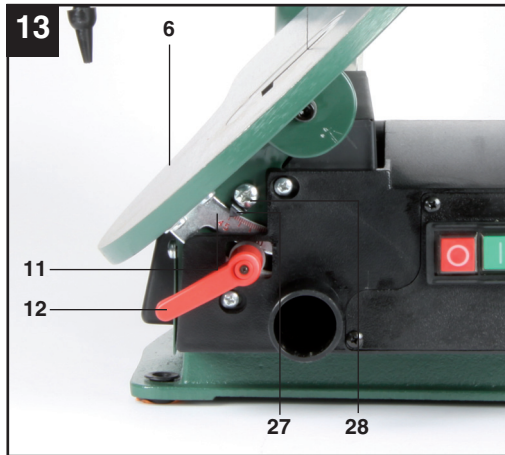
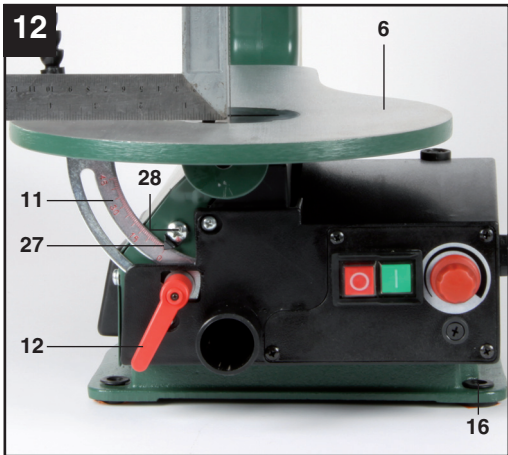
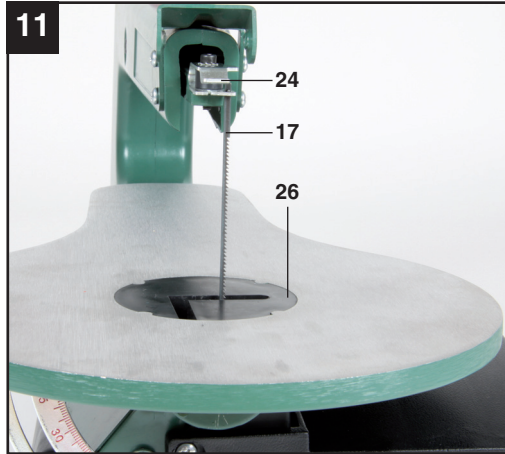
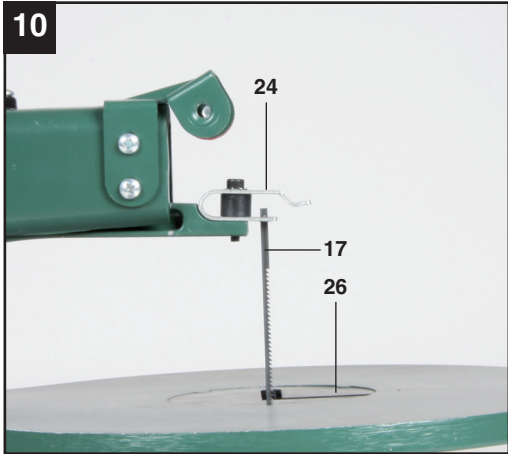
DE AT CH

Klappen Sie vor dem Lesen die Seite mit den Abbildungen aus und machen Sie sich anschließend mit allen Funktionen des Gerätes vertraut.

GB	Operation and Safety Notes	Page	6
FI	Käyttö- ja turvaohjeet	Sivu	20
SE	Bruksanvisning och säkerhetsanvisningar	Sidan	34
DK	Brugs- og sikkerhedsanvisninger	Side	48
DE/AT/CH	Bedienungs- und Sicherheitshinweise	Seite	62







**GB**

**Table of contents:**

**Page**

1. Introduction .....	8
2. Safety information .....	8-10
3. Layout .....	11
4. Supplied package .....	11
5. Proper use .....	12
6. Technical data .....	12-13
7. Before starting the machine .....	13-15
8. Operation .....	15
9. Replacing the power cable .....	16
10. Cleaning, maintenance, storage and ordering of spare parts .....	16
11. Disposal and recycling .....	16-17
12. Declaration of conformity .....	18
13. Warranty certificate .....	19

The reprinting or reproduction by any other means, in whole or in part, of documentation and papers accompanying products is permitted only with the express consent of the ISC GmbH.

Subject to technical changes

## Additional safety instructions



“CAUTION - Read the operating instructions to reduce the risk of injury”



### **Wear ear-muffs.**

The impact of noise can cause damage to hearing.



### **Wear a breathing mask.**

Dust which is injurious to health can be generated when working on wood and other materials. Never use the tool to work on any materials containing asbestos!



### **Wear safety goggles.**

Sparks generated during work or splinters, chips and dust emitted by the equipment can cause loss of sight.



### **Important. Risk of injury.**

Never reach into the running saw blade.

**GB**

## 1. Introduction

### **⚠ Important.**

When using the equipment, a few safety precautions must be observed to avoid injuries and damage. Please read the complete operating instructions and safety information with due care. Keep these operating instructions in a safe place so that the information is available at all times. If you give the equipment to any other person, hand over these operating instructions and the safety information as well. We cannot accept any liability for damage or accidents which arise due to a failure to follow these instructions and the safety information.

## 2. Safety information

### **⚠ CAUTION**

**Read all the safety information and instructions.** Any errors made in following the safety information and instructions may result in an electric shock, fire and/or serious injury. **Keep all safety information and instructions in a safe place for future use.**

### **2.1 General safety information on electric power tools**

**Important. The following safety precautions must be taken when using electric power tools in order to protect the user from electric shocks and the risk of injury and fire. Read and follow these instructions before using the equipment.**

1. **Keep your work area tidy**  
Untidy work areas can result in accidents.
2. **Check the ambient conditions**  
Do not expose electric tools to rain. Never use electric power tools in damp or wet locations. Provide good lighting. Do not use electric power tools near flammable liquids or gases.
3. **Protect yourself against electric shocks**  
Avoid bodily contact with earthed parts, e.g. pipes, radiators, cookers and refrigerators.

4. **Keep children away**  
Do not allow other persons to touch the tool or cable, keep them away from your work area.
5. **Keep your electric power tools in a safe place**  
Unused tools must be stored in a dry, locked room out of children's reach.
6. **Do not overload your tools**  
They will work better and more safely within their specified capacity range.
7. **Use the right tools**  
Do not use tools or attachments which are too weak for heavy duty work. Never use tools on jobs for which they are not intended; for example, do not use a hand-held circular saw to fell trees or lop off branches.
8. **Wear suitable work clothes**  
Never wear loose fittings clothes or jewelry. They may get caught in moving parts. Rubber gloves and non-slip shoes are recommended when working outdoors. Wear a hair net if you have long hair.
9. **Use personal safety equipment.**  
Wear safety goggles. Use a dust mask when working on dusty jobs.
10. **Do not use the cable for purposes other than that for which it is designed.**  
Do not carry the equipment by the cable and do not use the cable to pull the plug out of the socket. Protect the cable from heat, oil and sharp edges.
11. **Secure the workpiece**  
Use clamps or a vise to secure the workpiece. This is safer than using your hand and also enables you to operate the machine with both hands.
12. **Do not overstretch**  
Avoid abnormal working postures. Make sure you stand squarely and keep your balance at all times.
13. **Take care of your tools**  
Keep your tools sharp and clean in order to work well and safely. Follow the maintenance information and the instructions for changing tools. Check the power plug and cable on a regular basis and have them replaced by an authorized specialist if they are damaged. Check the



extension cable regularly and replace it if damaged. Keep handles dry and free from oil and grease.

**14. Pull out the power plug**

When tools are not in use, before starting any maintenance work or when changing attachments such as saw blades, drill bits and all kinds of mounted tools.

**15. Always remove keys and wrenches after use**

Always check that keys, wrenches and other adjusting tools have been removed before you switch on the equipment.

**16. Avoid unintentional starting**

Never carry a tool with your finger on the switch button while the tool is connected to the power supply. Make sure that the switch is turned off when connecting the tool to the power supply.

**17. When using an extension cable outdoors**

Check that it is approved for outdoor duty and is marked accordingly.

**18. Be alert at all times**

Watch what you are doing. Use common sense when working. Never use the tool when you are distracted.

**19. Check your tool for damage**

Before using the tool again, check the safety devices or any slightly damaged parts to ensure that they are in good working order. Check that the moving parts are working correctly, that they do not jam, and that no parts are damaged. Make sure that all parts are fitted correctly to ensure that the equipment remains safe to use. Unless otherwise stated in the operating instructions, damaged guards and parts have to be repaired or replaced by a customer service workshop. Damaged switches have to be replaced by a customer service workshop. Never use an electric power tool with a switch that cannot be turned on and off.

**20. Important.**

For your own safety you must only use the accessories and additional units listed in the operating instructions or recommended or specified by the manufacturer. The use of mounted tools or accessories other than

those recommended in the operating instructions or catalog may place your personal safety at risk.

**21. Repairs may only be carried out by a qualified electrician**

This electric power tool complies with the pertinent safety information. Repair work must only be carried out by a trained electrician, otherwise the equipment may cause accidents.

**22. Connect up the dust extraction system**

If there are provisions for connecting up a dust extraction system, make sure that such a system is fitted and in use.

**Additional safety instructions**

- Switch the machine off immediately and pull the power plug in an emergency.
- Follow all these safety instructions before and while working with the saw.
- Do not use this saw to cut fire wood.
- Do not use this saw to cross-cut roundwood without a suitable holding device.
- The machine is equipped with a safety switch to prevent it from being switched on again accidentally after a power failure.
- If you need to use an extension cable, make sure its conductor cross-section is big enough for the saw's power consumption. Minimum cross-section 1 mm<sup>2</sup>.
- If you use a cable reel, the complete cable must be pulled off the reel.
- Persons working on the machine should not be distracted.
- After you have switched off the motor, never slow down the saw blade by applying pressure to its side.
- Only fit blades which are well sharpened and have no cracks or deformations.
- Faulty saw blades must be replaced immediately.
- Never use saw blades which do not comply with the data specified in this manual.
- It is imperative to make sure that all devices which cover the saw blade are in good working order.
- Never dismantle the machine's safety devices or render them inoperative.
- Damaged or faulty safety devices have to be replaced immediately.

**GB**

- Never cut workpieces which are too small to hold securely in your hand.
- Never load the machine so much that it cuts out.
- Always press the workpiece firmly against the saw table.
- Never remove loose splinters, chips or jammed pieces of wood when the saw blade is running.
- Switch the machine off to rectify faults at the blocked plug-in tool. - Pull the power plug- Remove the blockage. Important! Risk of injury from saw blade! Wear gloves. Carry out a trial run without a workpiece. Ensure that no unusual noise or vibration occurs. Should this be the case, switch the unit off and contact the manufacturer.
- Carry out retooling work, adjustments, measurements and cleaning jobs only when the motor is switched off. - Pull the power plug. -
- Before switching on, make sure that all keys and wrenches have been removed from the tool.
- Switch off the motor and pull the power plug before you leave the workplace.
- Electrical installation work, repairs and maintenance may only be carried out by persons who have been specially trained.
- Refit all guards and safety devices immediately after you have completed any repairs or maintenance work.
- Be sure to observe the safety information and operating and maintenance instructions issued by the manufacturer, as well as the dimensions listed in the Technical Data.
- It is imperative to observe the accident prevention regulations in force in your area as well as all other generally recognized rules of safety.
- Note the information published by your professional associations (VBG 7j).
- The saw is intended to be used indoors only.
- Workpieces that are smaller than the saw blade guard can cause injuries to the hands or fingers. Use suitable aids!
- Avoid cramped hand positions when guiding in the workpiece and avoid positions in which slipping could lead to your hand making direct contact with the saw blade.
- Always fit the saw blade with the teeth facing in the direction of the sawing table.
- Always set the correct blade tension to prevent the saw blades from jerking.
- Be especially careful when cutting material with irregular cut profiles.
- Exercise particular caution when cutting round objects such as rods and pipes. These can roll down into the saw blade and cause the teeth to catch. Use a wedge to brace such workpieces.
- The teeth can become caught in the kerf when the workpiece is pulled back, especially if sawings have filled in (blocked) the kerf. In this case, you should switch the saw off, pull the power plug, clear the kerf with a wedge, and remove the workpiece.
- Never leave the work area without having already switched the saw off. Wait until the saw stops moving completely.
- Do not position, join, or construct any parts on the work table while the saw is running.
- Only switch the saw on after you have removed any remaining material and tools from the work table. Leave only the workpiece to be machined and any aids (e.g. wedges) on the work table.
- Always wear safety goggles!
- Keep your fingers at a safe distance from the saw blade.
- Carefully guide the workpiece and keep it steady at all times.
- Never leave the work area without having already switched the saw off.
- Do not let your familiarity with the saw allow you to be careless. Carelessness can lead to severe injuries within a fraction of a second.

**Do not lose this safety information.**

### 3. Layout (Figs. 1-15)

1. Blow-off device
2. Mounting
3. Knurled screw
4. Holder
5. Saw blade guard
6. Saw table
7. Cover, left
8. Bearings
9. Tightening screw
10. Arm
11. Graduated scale
12. Locking lever
13. Extractor connection
14. ON/OFF switch
15. Speed regulator
16. Assembly points
17. Saw blade
18. Vacuum extractor unit adapter
19. Adapter for coping saw blades
20. Allen key, 2.5 mm
21. Allen key, 4 mm
22. Storage box for saw blades
23. Washer
24. Saw blade holder, top
25. Saw blade holder, bottom
26. Table insert
27. Pointer
28. Screw

### 4. Supplied package

- Open the packaging and take out the equipment with care.
- Remove the packaging material and any packaging and/or transportation braces (if available).
- Check to see if all items are supplied.
- Inspect the equipment and accessories for transport damage.
- If possible, please keep the packaging until the end of the guarantee period.

#### IMPORTANT

**The equipment and packaging material are not toys. Do not let children play with plastic bags, foils or small parts. There is a danger of swallowing or suffocating!**

- Fretsaw
- Saw blade guard
- Knurled screw (2x)
- Washer, Ø 6 mm (2x)
- Blow-off device
- Spare saw blade (10x) (for wood and plastics)
- Adapter, coping saw blade (2x)
- Allen key, 2.5 mm
- Allen key, 4 mm
- Extractor adapter
- Original operating instructions

**GB**

## 5. Proper use

The fretsaw was designed to cut square-edged timber or wood-like workpieces such as Plexiglas, glass fiber reinforced plastic, foam, rubber, leather, and cork. Do not use this saw to cut round materials. Round materials can easily become jammed. **Risk of injury! Parts can be catapulted!**

The equipment may only be used for the tasks it is designed to handle. Any other use is deemed to be a case of misuse. The user/operator and not the manufacturer will be liable for any damage or injuries of any kind caused as a result of this.

Please note that our equipment has not been designed for use in commercial, trade or industrial applications. Our warranty will be voided if the equipment is used in commercial, trade or industrial businesses or for equivalent purposes.

- The equipment is to be operated only with suitable saw blades. It is prohibited to use any type of cutting-off wheel.
- To use the equipment properly you must also observe the safety information, the assembly instructions and the operating instructions to be found in this manual.
- All persons who use and service the equipment have to be acquainted with these operating instructions and must be informed about the equipment's potential hazards.
- It is also imperative to observe the accident prevention regulations in force in your area.
- The same applies for the general rules of health and safety at work.
- The manufacturer will not be liable for any changes made to the equipment nor for any damage resulting from such changes.

### Residual risks

**Even if you use this electric power tool in accordance to instructions, certain residual risks cannot be eliminated. The following hazards may arise in connection with the equipment's construction and layout:**

- Lung damage if no suitable protective dust mask is applied
- Damage to hearing if no suitable ear protection is applied
- Contact with the blade in the uncovered cutting zone
- Injuries (cuts) when changing the blade
- Crushed fingers
- Kickback
- Tilting of the workpiece due to inadequate support
- Touching the blade
- Catapulting of pieces of timber and workpieces

## 6. Technical data

Mains voltage:	230 V ~ 50 Hz
Power input:	120 W
Operating mode:	S2 5 min
Idle speed $n_0$ :	400 - 1,600 rpm
Protection type:	IP 20
Stroke:	21 mm
Base area:	410 x 245 mm
Tilting range of table:	0° to 45° to the left
Table size:	410 x 253 mm
Length of saw blade:	134 mm
Reach:	406 mm
Max. cutting height at 90°:	57 mm
Max. cutting height at 45°:	32 mm
Weight:	approx. 10.5 kg

### Load factor

Rated operating period 5 min./rated idle period 5 min. A load factor of S2 5 min (intermittent periodic duty) means that you may operate the motor continuously at its nominal power level (120 W) for no longer than the time stipulated on the specifications label (5 minutes ON period). If you fail to observe this time limit the motor will overheat. During the OFF period the motor will cool again to its starting temperature.

## Noise emission values

### Sound and vibration

Sound and vibration values were measured in accordance with EN 61029.

### Wear ear-muffs.

The impact of noise can cause damage to hearing.

	Mode	Idle
Sound pressure level $L_{pA}$ :	82.6 dB	62.3 dB
Uncertainty $K_{pA}$ :		3 dB
Sound power level $L_{WA}$ :	95.6 dB	75.3 dB
Uncertainty $K_{WA}$ :		3 dB

The quoted values are emission values and not necessarily reliable workplace values. Although there is a correlation between emission and immission levels it is impossible to draw any certain conclusions as to the need for additional precautions. Factors with a potential influence on the actual immission level at the workplace include the duration of impact, the type of room, and other sources of noise etc., e.g. the number of machines and other neighboring operations. Reliable workplace values may also vary from country to country. With this information the user should at least be able to make a better assessment of the dangers and risks involved.

### Reduce noise generation and vibration to a minimum!

Use only equipment that is in perfect condition. Maintain and clean the equipment regularly. Adopt your way of working to the equipment. Do not overload the equipment. Have the equipment checked if necessary. Switch off the equipment when not in use.

## 7. Before starting the machine

### Important.

**Always pull out the power plug before making adjustments to the equipment.**

### 7.1 General information

- All covers and safety devices have to be properly fitted before the equipment is switched on.
- It must be possible for the blade to run freely.
- When working with wood that has been processed before, watch out for foreign bodies such as nails or screws, etc.
- Before you actuate the On/Off switch, make sure that the saw blade is correctly fitted and that the equipment's moving parts run smoothly.
- Check that the voltage on the rating plate is the same as your supply voltage before you connect the equipment to the power supply.
- Only ever connect the equipment to a properly installed shock-proof socket which is protected by a 10A fuse as a minimum.

### 7.2 Installing the fretsaw on a workbench (Fig. 3, 4)

The unit may only be installed by a professional.

Required for installing (not provided):

- M8 hex screw (4x)
- M8 hex nut (8x)
- Washer, Ø 8 mm (4x)
- Flat gasket, Ø 8 mm (4x)
- Rubber base: 450 x 250 x 13 mm

**GB**

The length of the screws to be used varies, depending on the thickness of the table top.

- Install the fretsaw on a work table made from solid wood. This will avoid excessive noise caused by vibrations.
- Mark the drill holes. Use the fretsaw as a template for this purpose.
- Drill 4 holes with a diameter of 9 mm into the work table and the rubber base.
- Screw the fretsaw to the table using the mounting points (Fig. 3/12, Item 16) and in the following sequence (Fig. 4):

- A) Fretsaw
- B) Rubber base
- C) Work table
- D) Flat gasket
- E) Washer
- F) Hex nut
- G) Hex nut
- H) Hex screw

- Tighten the hex nut (F) and secure it with a second hex nut (G).

### 7.3 Assembly

**Important!** Always pull out the power plug before carrying out any maintenance or conversion work on the fretsaw.

#### 7.3.1 Mounting the saw blade guard and the sawdust blower facility (Fig. 6/7/8)

- Slide the saw blade guard (5) onto the holder (4).
- Push the knurled screws (3) through the oval holes of the saw blade guard (5) and tighten.
- The saw blade guard can be affixed at different heights using the knurled screws.
- Mount the blow-off device (1) as shown in Figure 8.

#### 7.3.2 Changing the saw blade (Fig. 1/6/9/10/11/14)

##### **Important**

**To avoid injuries attributed to inadvertent startup: Always move the switch to the "0" position and pull the power plug out of the socket outlet before removing or changing the saw blade.**

- Turn the tightening screw (9) counterclockwise to remove the tension from the saw blade (17).
- Unscrew the left cover (7). To do this, open the cover of the storage box (22) and remove the screws (C) (Fig. 6). (It is also possible to change the saw blade without removing the left cover. This, however, requires a little bit of finesse.)
- Remove the saw blade from the upper saw blade holder (24) while pressing down on the upper pendulum arm.
- Remove the saw blade from the lower saw blade holder (25).
- Lift the saw blade up and out of the table insert (26).
- Insert new saw blade in reverse order.

**Important: Always fit the saw blade with the teeth facing downward in the direction of the saw table.**

The saw blade can be inserted into groove a (Fig. 9,10) or b (Fig. 9,11):

##### **Groove a:**

For cuts longitudinal to the arm

##### **Groove b:**

For cuts transverse to the arm

Tension the saw blade by turning the tightening screw (9) to the right. When the tightening screw becomes a little harder to turn, turn it approximately 3 times more (3 full turns) to ensure that it is properly tensioned.

- Reinstall the left cover (7) (only if removed).

### 7.3.3 Calibrating the angle scale

**Important:** The angle scale is already properly set when delivered.

Align the saw table using a 90° stop angle on the table and at the saw blade (Fig. 12). Slacken the screw (28) and turn the pointer (27) to the 90° mark.

Carry out a test run for precise machining:

Test the angle set by making a sample cut and checking the respective number of degrees on the workpiece using an angle gage. Readjust the pointer (27) if necessary.

## 8. Operation

### 8.1 Note:

- The saw does not cut wood automatically. Rather, the operator must push and guide the wood toward the moving saw blade.
- The teeth only cut the wood on the downstroke.
- The wood must be slowly pushed and guided toward the saw blade, since the teeth of the blade are very small.
- Those who want to use the saw must go through the process of learning how to do so. During this time, a few blades will invariably break.
- When cutting thicker wood, special attention must be paid not to bend or twist the saw blade.

Handling the saw blade properly increases its service life.

### 8.2 ON/OFF switch (Fig. 2/Item 14)

- Press the "I" button to switch on.
- Press the "O" button to switch off.

**Important:** The machine is equipped with a safety switch to prevent it from being switched on again accidentally after a power failure.

If the mains power supply is interrupted when the fretsaw is switched on, the saw will switch off and remain in this state, even after the power is restored. Press the "I" switch again to switch the saw back on.

### 8.3 Speed regulator

The speed regulator (15) allows you to set the blade speed appropriate to the material to be cut. We recommend high speeds for soft material and low speeds for hard material. Turning the speed regulator (15) to the right increases rotational speed.

### 8.4 Inside cutting

One of the features of this fretsaw is that it can make cuts inside a panel without damaging the outside or edges.

To cut inside a panel:

- Remove the saw blade as described in section 7.3.2.
- Drill a hole in the panel in question.
- Lay the panel with the hole over the access hole in the saw table.
- Insert the saw blade through the hole in the panel and set the blade tension.
- When you have finished cutting, remove the saw blade from the blade holders (as described in section 7.3.2) and lift the panel off the table.

### 8.5 Miter cutting

Swivel the saw table by loosening the locking lever (12) and tilting the table to the desired position (Fig. 13). Tighten the locking lever.

### Important.

Be especially careful when making miter cuts. The angle of the saw table makes it easier for the workpiece to slip. **Risk of injury.**

### 8.6 Adapter for coping saw blades (Fig. 5/14)

- Remove the saw blade as described in 7.3.2.
- Now insert the coping saw blade (17) in the adapter. Use the 2.5 mm Allen key for this. **Important:** The coping saw blade is not supplied.
- First remove the table insert (26).
- Then hook both adapters (19) on the two saw blade holders (24/25).
- Insert the saw blade as described in 7.3.2.

**GB**

## 9. Replacing the power cable

If the power cable for this equipment is damaged, it must be replaced by the manufacturer or its after-sales service or similarly trained personnel to avoid danger.

## 10. Cleaning, maintenance, storage and ordering of spare parts

### Important.

Always pull out the power plug before starting any cleaning work.

### 10.1 Cleaning

- Keep all safety devices, air vents and the motor housing free of dirt and dust as far as possible.
- We recommend that you clean the equipment immediately after you use it.
- Open the left cover (Fig. 1/Item 7) and remove coarse contaminants (sawings, dust) with a hand broom.
- Wipe the equipment with a clean cloth or blow it down with compressed air at low pressure.
- Clean the equipment regularly with a damp cloth and some soft soap. Do not use cleaning agents or solvents; these may be aggressive to the plastic parts in the equipment. Ensure that no water can get into the interior of the equipment.

### 10.2 Servicing

There are no parts inside the equipment which require additional maintenance.

#### 10.2.1 Bearing(s) (Fig. 1/Item 8)

Periodically lubricate the bearings of the guide rollers with high-grade machine grease, at the latest however after 25 to 30 hours of operation.

#### 10.2.2 Carbon brushes

In case of excessive sparking, have the carbon brushes checked only by a qualified electrician. Important: The carbon brushes should not be replaced by anyone but a qualified electrician.

### 10.3 Storage

Store the equipment and accessories out of children's reach in a dark and dry place at above freezing temperature. The ideal storage temperature is between 5 and 30 °C. Store the electric tool in its original packaging.

### 10.4 Ordering replacement parts

The following information must be provided on all orders for spare parts:

- Model/type of the equipment
- Article number of the equipment
- ID number of the equipment

For our latest prices and information please go to [www.isc-gmbh.info](http://www.isc-gmbh.info).

## 11. Disposal and recycling

The equipment is supplied in packaging to prevent it from being damaged in transit. The raw materials in this packaging can be reused or recycled. The equipment and its accessories are made of various types of material, such as metal and plastic. Defective components must be disposed of as special waste. Ask your dealer or your local council.



For EU countries only

Never place any electric power tools in your household refuse.

To comply with European Directive 2002/96/EC concerning old electric and electronic equipment and its implementation in national laws, old electric power tools have to be separated from other waste and disposed of in an environment-friendly fashion, e.g. by taking to a recycling depot.



Recycling alternative to the return request:

As an alternative to returning the equipment to the manufacturer, the owner of the electrical equipment must make sure that the equipment is properly disposed of if he no longer wants to keep the equipment. The old equipment can be returned to a suitable collection point that will dispose of the equipment in accordance with the national recycling and waste disposal regulations. This does not apply to any accessories or aids without electrical components supplied with the old equipment.

GB

## 12. Declaration of conformity

Einhell Germany AG · Wiesenweg 22 · D-94405 Landau/Isar



## Konformitätserklärung

- erklärt folgende Konformität gemäß EU-Richtlinie und Normen für Artikel  
 explains the following conformity according to EU directives and norms for the following product  
 déclare la conformité suivante selon la directive CE et les normes concernant l'article  
 dichiara la seguente conformità secondo la direttiva UE e le norme per l'articolo  
 verklaart de volgende overeenstemming conform EU richtlijn en normen voor het product  
 declara la siguiente conformidad a tenor de la directiva y normas de la UE para el artículo  
 declara a seguinte conformidade, de acordo com a directiva CE e normas para o artigo  
 atterer følgende overensstemmelse i medfør af EU-direktiv samt standarder for artikel  
 förklarar följande överensstämmelse enl. EU-direktiv och standarder för artikeln  
 vakuuttaa, että tuote täyttää EU-direktiivin ja standardien vaatimukset  
 töendab toote vastavust EL direktiivile ja standarditele  
 vydává následující prohlášení o shodě podle směrnice EU a norem pro výrobek  
 potrjuje sledečo skladnost s smernico EU in standardi za izdelek  
 vydáva nasledujúce prehlásenie o zhode podľa smernice EÚ a noriem pre výrobok  
 a cikkekhez az EU-irányvonal és Normák szerint a következő konformitást jelenti ki  
 deklaruje zgodność wymienionego poniżej artykułu z następującymi normami na podstawie dyrektywy WE.  
 декларира съответното съответствие съгласно Директива на ЕС и норми за артикул  
 paskaidro šādu atbilstību ES direktīvai un standartiem  
 apibūdina šj atitikimą EU reikalavimams ir prekės normoms  
 declară următoarea conformitate conform directivei UE și normelor pentru articolul  
 δηλώνει την ακόλουθη συμμόρφωση σύμφωνα με την Οδηγία ΕΚ και τα πρότυπα για το προϊόν  
 potvrđuje sljedeću usklađenost prema smjernicama EU i normama za artikl  
 potvrđuje sljedeću usklađenost prema smjernicama EU i normama za artikl  
 potvrđuje sledeću usklađenost prema smernicama EZ i normama za artikal  
 следующим удостоверяется, что следующие продукты соответствуют директивам и нормам ЕС  
 проголошує про зазначену нижче відповідність виробу директивам та стандартам ЄС на виріб  
 ja izjavува следната сообрзност согласно EУ-директивата и нормите за артикли  
 Ürünü ile ilgili AB direktifleri ve normları gereğince aşağıda açıklanan uygunluğu belirtir  
 erklærer følgende samsvar i henhold til EU-direktivet og standarder for artikkel  
 Lýsir uppfyllingu EU-reglna og annarra staða vöru

## Dekupiersäge PDKS 120 A1 (Parkside)

- 2009/105/EC  
 2006/95/EC  
 2006/28/EC  
 2005/32/EC  
 2004/108/EC  
 2004/22/EC  
 1999/5/EC  
 97/23/EC  
 90/396/EC  
 89/686/EC\_96/58/EC
- 2006/42/EC  
 Annex IV  
 Notified Body:  
 Notified Body No.:  
 Reg. No.:
- 2000/14/EC\_2005/88/EC  
 Annex V  
 Annex VI  
 Noise: measured  $L_{WA}$  = dB (A); guaranteed  $L_{WA}$  = dB (A)  
 P = KW; L $\phi$  = cm  
 Notified Body:
- 2004/26/EC  
 Emission No.:

Standard references: EN 61029-1; EN 55014-1; EN 61000-3-2; EN 61000-3-3; EN 55014-2

Landau/Isar, den 12.07.2010

  
Weichselgartner/General Manager


  
Wentao/Product-Management

First CE: 10  
 Art.-No.: 43.090.23 I.-No.: 11010  
 Subject to change without notice

Archive-File/Record: 4309020-11-4177400-10  
 Documents registrar: Siegfried Roider  
 Wiesenweg 22, D-94405 Landau/Isar

# 13. GUARANTEE CERTIFICATE

## Dear Customer,

All of our products undergo strict quality checks to ensure that they reach you in perfect condition. In the unlikely event that your device develops a fault, please contact our service department at the address shown on this guarantee card. Of course, if you would prefer to call us then we are also happy to offer our assistance under the service number printed below. Please note the following terms under which guarantee claims can be made:

1. These guarantee terms cover additional guarantee rights and do not affect your statutory warranty rights. We do not charge you for this guarantee.
2. Our guarantee only covers problems caused by material or manufacturing defects, and it is restricted to the rectification of these defects or replacement of the device. Please note that our devices have not been designed for use in commercial, trade or industrial applications. Consequently, the guarantee is invalidated if the equipment is used in commercial, trade or industrial applications or for other equivalent activities. The following are also excluded from our guarantee: compensation for transport damage, damage caused by failure to comply with the installation/assembly instructions or damage caused by unprofessional installation, failure to comply with the operating instructions (e.g. connection to the wrong mains voltage or current type), misuse or inappropriate use (such as overloading of the device or use of non-approved tools or accessories), failure to comply with the maintenance and safety regulations, ingress of foreign bodies into the device (e.g. sand, stones or dust), effects of force or external influences (e.g. damage caused by the device being dropped) and normal wear resulting from proper operation of the device. This applies in particular to rechargeable batteries for which we nevertheless issue a guarantee period of 12 months.  
  
The guarantee is rendered null and void if any attempt is made to tamper with the device.
3. The guarantee is valid for a period of 3 years starting from the purchase date of the device. Guarantee claims should be submitted before the end of the guarantee period within two weeks of the defect being noticed. No guarantee claims will be accepted after the end of the guarantee period. The original guarantee period remains applicable to the device even if repairs are carried out or parts are replaced. In such cases, the work performed or parts fitted will not result in an extension of the guarantee period, and no new guarantee will become active for the work performed or parts fitted. This also applies when an on-site service is used.
4. In order to assert your guarantee claim, please send your defective device postage-free to the address shown below. Please enclose either the original or a copy of your sales receipt or another dated proof of purchase. Please keep your sales receipt in a safe place, as it is your proof of purchase. It would help us if you could describe the nature of the problem in as much detail as possible. If the defect is covered by our guarantee then your device will either be repaired immediately and returned to you, or we will send you a new device.

Of course, we are also happy offer a chargeable repair service for any defects which are not covered by the scope of this guarantee or for units which are no longer covered. To take advantage of this service, please send the device to our service address.

**Sisällysluettelo****Sivu**

1. Johdanto .....	22
2. Turvallisuusmääräykset .....	22-25
3. Laitteen kuvaus .....	25
4. Toimituksen laajuus .....	25
5. Määräysten mukainen käyttö .....	26
6. Tekniset tiedot .....	26-27
7. Ennen käyttöönottoa .....	27-29
8. Käyttö .....	29-30
9. Verkkoliitäntäjohdon vaihto .....	30
10. Puhdistus, huolto, säilytys ja varaosailaus .....	30
11. Käytöstäpoisto ja uusiokäyttö .....	30-31
12. Standardinmukaisuustodistus .....	32
13. Takuutodistus .....	33

Tuotedokumentaation ja tuotteen mukana toimitettujen papereiden osittainenkin kopiointi tai muu monistaminen on sallittu ainoastaan ISC GmbH:n nimenomaisella luvalla.

Oikeus teknisiin muutoksiin pidätetään

## Laitekohtaiset turvallisuusmääräykset



„VAROITUS – Tapaturmavaaran vähentämiseksi lue käyttöohje“



### **Käytä kuulosuojuksia.**

Melu saattaa aiheuttaa kuulon menetyksen.



### **Käytä pölynsuojanaamaria.**

Puuta tai muita materiaaleja työstettäessä saattaa syntyä terveydelle haitallista pölyä. Asbestipitoista materiaalia ei saa työstää!



### **Käytä suojalaseja.**

Työn aikana syntyvät kipinät tai laitteesta sinkoilevat sirut, lastut ja pölyt saattavat aiheuttaa näkökyvyn menetyksen.



### **Huomio! Loukkaantumisvaara!**

Älä tartu liikkuvaan sahanterään!

## 1. Johdanto

### ⚠ Huomio!

Laitteita käytettäessä tulee noudattaa tiettyjä turvallisuusvarotoimia tapaturmien ja vaurioiden välttämiseksi. Lue sen vuoksi tämä käyttöohje / nämä turvallisuusmääräykset huolellisesti läpi. Säilytä ne hyvin, jotta niissä olevat tiedot ovat myöhemminkin milloin vain käytettävissäsi. Jos luovutat laitteen muille henkilöille, ole hyvä ja anna heille myös tämä käyttöohje / nämä turvallisuusmääräykset laitteen mukana. Emme ota mitään vastuuta tapaturmista tai vaurioista, jotka ovat aiheutuneet tämän käyttöohjeen tai turvallisuusohjeiden noudattamisen laiminlyönnistä.

## 2. Turvallisuusmääräykset

### ⚠ VAROITUS

**Lue kaikki turvallisuusmääräykset ja ohjeet.** Jos turvallisuusmääräyksiä tai muita ohjeita ei noudateta, saattaa tästä aiheutua sähköiskuja, tulipaloja ja/tai vaikeita vammoja. **Säilytä kaikki turvallisuusmääräykset ja ohjeet myöhempää tarvetta varten.**

### 2.1 Sähkölaitteiden yleiset turvallisuusmääräykset

**Huomio!** Sähkötyökalujen käytössä tulee noudattaa seuraavia turvallisuusmääräyksiä sähköiskujen, tapaturmien tai tulipalovaaran välttämiseksi. Lue nämä ohjeet ennen laitteen käyttöä ja noudata niitä.

- 1. Pidä työalueesi hyvässä järjestyksessä**  
Työalueella vallitseva epäjärjestys aiheuttaa tapaturmavaaroja.
- 2. Ota ympäristökijät huomioon**  
Älä jätä sähkötyökaluja sateeseen. Älä käytä sähkötyökaluja kosteassa tai märässä ympäristössä. Huolehdi hyvästä valaistuksesta. Älä käytä sähkötyökaluja helposti syttyvien nesteiden tai kaasujen lähellä.

- 3. Suojaa itseäsi sähköiskulta**  
Vältä koskettamasta vartalollasi maadoitettuihin osiin, kuten esimerkiksi putkiin, lämmittimiin, liesiin, jääkaappeihin.
- 4. Pidä lapset poissa työalueelta!**  
Älä anna muiden henkilöiden koskettaa työkaluun tai johtoon, pidä heidät poissa työalueeltasi.
- 5. Säilytä työkalusi turvallisesti**  
Työkalut, joita ei juuri nyt käytetä, tulee säilyttää kuivassa, lukittavassa tilassa poissa lasten ulottuvilta.
- 6. Älä ylikuormita työkalujasi**  
Työskentelet paremmin ja turvallisemmin oikealla tehoalueella.
- 7. Käytä työhön sopivaa työkalua**  
Älä käytä liian heikkoja työkaluja tai liitoskappaleita raskaisiin töihin. Älä käytä työkaluja sellaisiin tarkoituksiin tai töihin, joihin niitä ei ole tarkoitettu, esimerkiksi älä käytä käsipyörösahaa puiden kaatamiseen tai oksien karsimiseen.
- 8. Käytä tarkoituksenmukaista työvaatetusta**  
Älä käytä väliä vaatteita tai koruja. Ne saattavat tarttua kiinni liikkuviin osiin. Ulkona työskennellessäsi on suositeltavaa käyttää kumihanskaita ja luistamattomia jalkineita. Käytä pitkien hiusten suojana hiusverkkoa.
- 9. Käytä suojarusteita**  
Käytä suojaruseita. Käytä pölynaamaria pölyävissä töissä.
- 10. Älä käytä johtoa väärin**  
Älä kannata työkalua johdosta, äläkä irroita pistoketta pistorasiasta johdosta vetämällä. Suojaa johtoa kuumuudelta, öljyltä ja teräviltä reunoilta.
- 11. Kiinnitä työstökappale**  
Käytä kiinnityslaitteita tai ruuvipenkkiä pitääksesi työstökappaleen tukevasti paikallaan. Se pysyy näin varmemmin paikallaan kuin kädessä pidettynä, ja näin molemmat kädet ovat vapaat koneen käyttöä varten.
- 12. Älä vaaranna tukevaa asentoa kurottelemalla**  
Vältä luonnottomia asentoja. Huolehdi tukevasta asennosta ja säilytä aina tasapainosi.

**13. Hoida työkalujasi huolella**

Pidä työkalusi terävinä ja puhtaina, jotta voit työskennellä hyvin ja turvallisesti. Noudata huoltomääräyksiä ja työkalun vaihdosta annettuja ohjeita. Tarkasta pistoke ja johto säännöllisesti ja anna alan ammattihenkilön korjata niihin tulleet vauriot. Tarkasta jatkojohdot säännöllisesti ja vaihda vahingoittuneet johdot uusiin. Pidä kahvat kuivina ja puhtaina öljystä ja rasvasta.

**14. Vedä pistoke irti pistorasiasta**

kun työkalua ei käytetä, sitä huolletaan tai vaihdetaan sen varusteita, esimerkiksi sahanteriä, poranteriä ja kaiken tyyppisiä konetyökaluja.

**15. Älä jätä työkaluavaimia laitteeseen**

Tarkasta ennen käynnistämistä, että avaimet ja säätötyökalut on otettu pois.

**16. Vältä tahatonta käynnistymistä**

Älä kanna sähköverkkoon liitettyjä työkaluja pitäen sormeasi katkaisimella. Varmista, että katkaisin on pois-asennossa, kun liität laitteen verkkovirtaan.

**17. Jatkojohtojen käyttö ulkona**

Käytä ulkona ainoastaan tähän hyväksytyjä, vastaavasti merkittyjä jatkojohtoja

**18. Ole aina valppaana**

Tarkkaile työsi kulkua. Käytä järjeäsi. Älä käytä työkalua, jos olet hajamielinen.

**19. Tarkasta, onko laitteesi vahingoittunut**

Ennen kuin jatkat työkalun käyttämistä, tulee suojavarusteiden ja hieman vahingoittuneiden osien moitteeton, käyttötarkoituksen mukainen toiminta tarkastaa huolellisesti. Tarkasta, toimivatko liikkuvat osat moitteettomasti ja että ne eivät juutu kiinni tai ettei niissä ole vaurioita. Kaikkien osien tulee olla moitteettomasti asennettuna, jotta laitteen turvallisuus on varmistettu.

Vahingoittuneet turvalaitteet ja osat tulee korjauttaa asiantuntevasti alan ammattikorjaamossa tai vaihtaa uusiin, ellei käyttöohjeissa ole nimenomaan toisin määrätty. Vahingoittuneet katkaisimet täytyy vaihtaa uusiin alan ammattikorjaamossa. Älä käytä sellaisia työkaluja, joiden katkaisimia ei voi kytkeä päälle tai pois.

**20. Huomio!**

Oman turvallisuutesi vuoksi käytä ainoastaan sellaisia varusteita ja lisälaitteita, jotka on ilmoitettu käyttöohjeessa tai joita laitteesi valmistaja on suositellut tai nimeltä maininnut. Muiden kuin käyttöohjeessa tai luettelossa suositeltujen käyttötyökalujen tai lisävarusteiden käytöstä saattaa aiheutua käyttäjälle henkilökohtainen tapaturmanvaara.

**21. Korjaukset saa suorittaa vain sähköalan ammattihenkilö**

Tämä sähkötyökalu vastaa sitä koskevia turvallisuusmääräyksiä. Korjaukset saa tehdä vain sähköalan ammattihenkilö, muussa tapauksessa siitä voi aiheutua käyttäjälle tapaturmia.

**22. Liitä pölyn poistoimulaitteisto**

Jos pölyn poistoimulaitteiston liitäntävarusteet on hankittu, varmista, että laitteisto liitetään ja että sitä myös käytetään.

**Erityiset turvallisuusmääräykset**

- Hätätilanteessa sammuta kone suoraan ja vedä verkkopistoke pistorasiasta.
- Noudata kaikkia näitä ohjeita ennen sahan käyttöä ja käytön aikana.
- Älä käytä sahaa polttopuiden sahaamiseen.
- Älä sahaa pyöreitä puita poikkisuuntaan ilman sopivia kiinnityslaitteita.
- Kone on varustettu turvakatkaisimella, joka estää sen uudelleen käynnistymisen virtakatkon jälkeen.
- Jos jatkojohdon käyttö on tarpeen, varmista, että sen läpimitta on riittävän suuri sahan tarvitsemalle jännitteenotolle. Pienin halkaisija 1 mm<sup>2</sup>.
- Käytä johtorullaa vain aukikelattuna.
- Konetta käyttäviä henkilöitä ei saa häiritä työn aikana.
- Sahanterää ei missään tapauksessa saa jarruttaa moottorin sammuttamisen jälkeen painamalla sitä sivusuuntaan.
- Asenna sahaan vain hyvin teroitettuja, ehjiä ja oikeanmuotoisia sahanteriä.
- Vialliset sahanterät tulee vaihtaa heti uusiin.
- Älä käytä sellaisia sahanteriä, jotka eivät vastaa tässä käyttöohjeessa annettuja tunnustietoja.

- Varmista, että kaikki varusteet, jotka peittävät sahanterän, toimivat moitteettomasti.
- Koneessa olevia turvallisuusvarusteita ei saa purkaa tai tehdä käyttökelvottomiksi.
- Vahingoittuneet tai vialliset turvavarusteet tulee vaihtaa viipymättä uusiin.
- Älä leikkaa sellaisia työstökappaleita, jotka ovat liian pieniä tukevasti kädessä pidettäviksi.
- Älä kuormita konetta niin raskaasti, että se pysähtyy.
- Paina työstökappaletta aina lujasti työpöydän levyä vasten.
- Älä koskaan poista irrallisia siruja, lastuja tai kiinnijuuttuneita puunpalasia sahanterän käydessä.
- Kun poistat kiinnijuuttuneen käyttövarusteen kiinnijuuttumia, sammuta kone. - Vedä verkkopistoke irti - Poista tukkeutuma. Huomio! Sahanterä aiheuttaa tapaturman vaaran! Käytä suojakäsineitä! Tee koekäyttö ilman työstökappaletta. Tarkkaile, esiintyykö käytössä epätavallisia ääniä tai tärinää. Jos näin on, sammuta laite ja ota yhteyttä valmistajaan.
- Suorita varustelun muutokset sekä säätö-, mittaus- ja puhdistustyöt vain moottorin ollessa sammutettuna. - Vedä verkkopistoke irti –
- Tarkasta ennen käynnistämistä, että avaimet ja säätötyökalut on otettu pois.
- Sammuta moottori ja irroita verkkopistoke aina poistuessasi työpaikalta.
- Sähköasennukset, korjaukset ja huoltotyöt saavat suorittaa ainoastaan alan ammattihenkilöt.
- Kaikki suoja- ja turvavarusteet tulee asentaa takaisin paikalleen, kun korjaus- tai huoltotoimet on saatu päätökseen.
- Valmistajan antamia turvallisuus-, työskentely-, ja huoltoohjeita sekä teknisissä tiedoissa annettuja mittoja tulee noudattaa.
- Laitetta koskevia tapaturmanehkäisymääräyksiä sekä muita yleisesti hyväksytyjä turvallisuusteknisiä sääntöjä tulee noudattaa.
- Noudata ammattikunnan antamia ohjelehtiä (VBG 7j).
- Saha on tarkoitettu asennettavaksi vain sisätiloihin.
- Työstökappaleet, jotka ovat pienempiä kuin sahanterän suojuus, saattavat aiheuttaa käsien ja sormien loukkaantumisen. Käytä sopivia apuvälineitä!
- Vältä kouristuksenomaisia käden asentoja työstökappaletta liikuttaessa sekä asentoja, joissa käsi saattaa luiskahtaa suoraan sahanterään.
- Pane sahanterä aina paikalleen siten, että sen hampaat näyttävät alaspäin sahanpöytään.
- Säädä sahanterän kireys aina oikein, niin etteivät sahanterät halkea.
- Ole erityisen varovainen sahatessasi materiaalia, jossa on epäsäännöllinen leikkausprofiili.
- Toimi erityisen varovasti myös sahatessasi pyöreitä kappaleita, kuten tankoja tai putkia. No voivat pyörähtää sivuun sahanterästä ja aiheuttaa hampaiden tarttumisen niihin. Tue tällaiset työstökappaleet kiilalla.
- Kun työstökappale vedetään takaisin, niin hampaat saattavat takertua leikkausrakoon, varsinkin jos sahanpurut tukkivat raon. Tässä tapauksessa täytyy sammuttaa saha, vetää verkkopistoke irti, avata leikkausrako kiilalla ja vetää työstökappale pois.
- Älä koskaan poistu työpaikaltasi sammuttamatta sahaa ensin. Odota, kunnes saha on pysähtynyt.
- Älä asettele, liimaa tai liitä osia yhteen työpöydällä sahan käydessä.
- Käynnistä saha vasta kun olet poistanut työpöydältä kaikki materiaalinjätteet ja työkalut. Jätä työpöydälle vain työstettävä työstökappale sekä mahdolliset apuvälineet (kiilat).
- Käytä aina suojalaseja.
- Pidä sormesi turvallisen välimatkan päässä sahanterästä.
- Ohjaa työstökappaletta pitävästi ja tukevasti äläkä päästä sitä koskaan irti.
- Älä koskaan poistu työpaikaltasi sammuttamatta sahaa ensin.
- Älä anna sahan tuntemuksesi johtaa sinua työkokemuksesi johtaa sinua varomattomuuteen. Tarkkaamattomuus voi johtaa jo sekunnin murto-osassa pahoihin



vammoihin.

**Säilytä turvallisuusmääräykset huolellisesti.**

### 3. Laitteen kuvaus (kuvat 1 - 15)

1. Poispuhalluslaite
2. Pidike
3. Pykäläruuvi
4. Pidike
5. Sahanterän suojus
6. Sahanpöytä
7. Sivusuoja vasemmalla
8. Laakerikohdat
9. Kiinnitysruuvi
10. Puomi
11. Asteikko
12. Lukitusvipu
13. Pölynimuliitäntä
14. Päälle-/pois-katkaisin
15. Iskuvun säädin
16. Asennuskohdat
17. Sahanterä
18. Pölyn poistoimusoitin
19. Lehtisahanterien sovitin
20. Koloavain 2,5 mm
21. Koloavain 4 mm
22. Sahanterien säilytyslokero
23. Välilevy
24. Sahanterän pidike ylhäällä
25. Sahanterän pidike alhaalla
26. Pöydän sisäke
27. Osoitin
28. Ruuvi

### 4. Toimituksen laajuus

- Avaa pakkaus ja ota laite varovasti pakkauksesta.
- Poista pakkausmateriaalit sekä pakkaus- ja kuljetusvarmistukset (mikäli käytetty).
- Tarkasta, onko toimitus täysilukuinen.
- Tarkasta, onko laitteessa tai varusteissa kuljetusvaurioita.
- Säilytä pakkaus, mikäli mahdollista, takuuajan loppuun saakka.

#### HUOMIO

**Laite ja pakkausmateriaalit eivät ole lasten leikkikaluja! Lapset eivät saa leikkiä muovipusseilla, kelmuilla tai pienillä osilla! Niistä uhkaa nielais- ja tukehtumisvaara!**

- Kuviosaha
- Sahanterän suojus
- Pykäläruuvi (2 kpl)
- Välilevy Ø 6 mm (2 kpl)
- Poispuhalluslaite
- Varasahanterä (10 kpl) (puuta ja muovia varten)
- Lehtisahanterän sovitin (2 kpl)
- Koloavain 2,5 mm
- Koloavain 4 mm
- Poistoimusoitin
- Alkuperäiskäyttöohje

## 5. Määräysten mukainen käyttö

Kuviosahaa käytetään kulmikkaan puun oden puunkaltaisten raaka-aineiden kuten pleksilasin, lasikuitumuovin, vaahtomuovin, kumin, nahan ja korkin leikkaamiseen. Älä käytä sahaa pyöreiden raaka-aineiden sahaamiseen. Pyöreä materiaali voi kääntyä helposti. **Loukkaantumisvaara! Kappaleita voi sinkoilla pois!**

Laitetta saa käyttää ainoastaan sille määrättyyn tarkoitukseen. Kaikkinainen tämän ylittävä käyttö ei ole määräysten mukaista. Laitteen omistaja/käyttäjä eikä suinkaan sen valmistaja on vastuussa kaikista tästä aiheutuvista vahingoista tai loukkaantumisista.

Ole hyvä ja ota huomioon, että laitteitamme ei ole suunniteltu käytettäväksi pienteollisuus-, käsityöläis- tai teollisuustarkoituksiin. Emme hyväksy mitään takuuvaateita, jos laitetta käytetään pienteollisuus-, käsityöläis- tai teollisuustyöpaikoilla tai näihin verrattavissa olevissa toimissa.

- Koneessa saa käyttää vain siihen sopivia sahanteriä. Kaikentyyppisten katkaisulaikkojen käyttö on kielletty.
- Määräysten mukaisen käytön olennainen osa on myös työturvallisuusmääräysten sekä asennusohjeen ja käyttöohjeessa annettujen käyttöohjeiden noudattaminen.
- Koneetta käytävien tai huoltavien henkilöiden tulee perehtyä koneeseen ja olla tietoisia mahdollisista vaaratekijöistä.
- Lisäksi tulee voimassaolevia tapaturmanehkäisy määräyksiä noudattaa mitä tarkimmin.
- Muita yleisiä työterveydellisiä ja turvallisuusteknisiä sääntöjä tulee noudattaa.
- Koneeseen tehdyt muutokset sulkevat valmistajan vastuun, myös tästä aiheutuvista vahingoista, kokonaan pois.

### Jäämäriskit!

**Silloinkin, kun käytät tätä sähkötyökalua määräysten mukaisesti, jää jäljelle joitain riskejä. Tämän sähkötyökalun rakenteesta ja mallista riippuen saattaa esiintyä seuraavia vaaroja:**

- keuhkovaurioita, ellei käytetä sopivaa pölysuojanaamaria.
- kuulovaurioita, ellei käytetä soveliaita kuulosuojaimia.
- tapaturmanvaaroja käden sattuessa työkalun suojaamattomaan leikkausalueeseen.
- loukkaantumisvaaroja työkalua vaihdettaessa (viiltohaavan vaara).
- sormien rumentumisvaara.
- takapotkun aiheuttamia vaaratilanteita.
- työstökappaleen kaatuminen työstökappaleen liian pienen seisontapinnan vuoksi.
- leikkaustyökalun koskettamisesta aiheutuvia vaaroja.
- oksanpalasten ja työstökappaleen palojen poissinkoutumisia.

## 6. Tekniset tiedot

Verkköjännite:	230 V ~ 50Hz
Virranotto:	120 wattia
Käyttötapa:	S2 5 min.
Joutokäyntikiertoaluku $n_0$ :	400-1.600 min <sup>-1</sup>
Suojalaji:	IP 20
Iskuliike:	21 mm
Seisontapinta:	410 x 245 mm
Pöydän käännettävyyys:	0° - 45° vasemmalle
Pöydän koko:	410 x 253 mm
Sahanterän pituus:	134 mm
Ulottuvuus:	406 mm
Leikkauskorkeus 90° kork.:	57 mm
Leikkauskorkeus 45° kork.:	32 mm
Paino:	n. 10,5 kg

**Käyttöaika:**

Laskettu käyttöaika 5 minuuttia / laskettu tauko-aika 5 minuuttia  
 Käyttöaika S2 5 min (lyhytaikainen käyttö) tarkoittaa, että moottoria saa kuormittaa 120 watin nimellisteholla jatkuvasti vain tyyppikilvessä ilmoitetun ajan verran (5 minuuttia). Muuten se kuumenee liikaa. Tauon aikana moottori jäähtyy takaisin alkulämpötilaansa.

**Melunpäästöarvot****Melu ja värinä**

Melu- ja värinäarvot on mitattu standardin EN 61029 mukaisesti.

**Käytä kuulosuojuksia.**

Melu saattaa aiheuttaa kuulon menetyksen.

	Käyttö	Joutokäynti
Äänen painetaso $L_{pA}$ :	82,6 dB	62,3 dB
Mittausepäätarkkuus $K_{pA}$ :		3 dB
Äänen tehotaso $L_{WA}$ :	95,6 dB	75,3 dB
Mittausepäätarkkuus $K_{WA}$ :		3 dB

Annetut arvot ovat päästöarvoja eivätkä ne siksi välttämättä ole varmoja työpaikalla esiintyviä arvoja. Vaikka päästö- ja ottotasojen välillä on tietty yhteys, ei tästä voida luotettavasti johtaa päätöstä, ovatko lisävarotoimet tarpeen vai eivät. Työpaikalla kulloinkin vallitsevaan ottotasoon vaikuttaviin tekijöihin kuuluvat vaikutuksen kesto, työtilan ominaispiirteet, muut melunlähteet jne., esim. koneiden lukumäärä ja muut vieressä suoritettavat työtapahtumat. Luotettavat työpaikka-arvot voivat samoin vaihdella maasta toiseen. Näiden tietojen tarkoituksena on kuitenkin auttaa käyttäjää arvioimaan riskit ja niiden vaikutus paremmin.

**Rajoita melunpäästöt ja värinä mahdollisimman vähäisiksi!**

- Käytä ainoastaan moitteettomia laitteita.
- Huolla ja puhdista laite säännöllisesti.
- Sovita työskentelytapasi laitteen mukaiseksi.
- Älä ylikuormita laitetta.
- Tarkastuta laite aina tarvittaessa.
- Sammuta laite, kun sitä ei käytetä.

**7. Ennen käyttöönottoa****Huomio!**

**Irrota aina verkkopistoke ennen kuin teet laitteeseen säätöjä.**

**7.1 Yleistä**

- Ennen käyttöönottoa tulee kaikki suojukset ja turvalaitteet asentaa määräysten mukaisesti paikoilleen.
- Sahanterän tulee voida liikkua vapaasti.
- Varo, ettei jo työstetyssä puumateriaalissa ole vieraita esineitä, kuten esim. nauvoja tai ruuveja.
- Ennen kuin painat päälle-/pois-katkaisinta, varmista, että sahanterä on asennettu oikein ja että liikkuvat osat kulkevat kevyesti.
- Tarkasta ennen koneen liittämistä sähköverkkoon, että tyyppikilven tiedot vastaavat käytettävän verkkovirran tietoja.
- Liitä kone ainoastaan määräysten mukaisesti asennettuun suojakontaktipistorasiaan, joka on varustettu vähintään 10A varokkeella.

**7.2 Kuviosahan asentaminen ruuvipenkkiin (kuvat 3, 4)**

Laitteen saa asentaa ainoastaan asiantunteva alan ammattihenkilö!

Asennustarpeet (eivät kuulu toimitukseen):

- kuusikantaruuvi M8 (4 kpl)
- kuusikantamutteri M8 (8 kpl)
- aluslevy Ø 8 mm (4 kpl)
- tasotiiviste Ø 8 mm (4 kpl)
- kumialusta: 450x250x13 mm

FI

Käytettävien ruuvien pituus on riippuvainen pöytälevyn paksuudesta.

- Asenna kuviosaha umpipuusta valmistetulle, tukevalle työpöydälle. Täten voit välttää tärinän aiheuttamat voimakkaat melunpäästöt.
- Merkitse poranreikien paikat. Käytä tässä kuviosahaa mallina.
- Poraa 4 reikää, Ø 9 mm, työpöytään ja kumialustaan.
- Ruuvaa kuviosaha kiinni työpöytään asennuskohtien läpi (kuva 3/12, nro 16) seuraavassa järjestyksessä (kuva 4):

- A) kuviosaha
- B) kumialusta
- C) työpöytä
- D) tasotiiviste
- E) aluslevy
- F) kuusikantamutteri
- G) kuusikantamutteri
- H) kuusikantaruuvi

Kiristä ensin kuusikantamutteri (F) tiukkaan ja varmista se sitten toisella kuusikantamutterillä (G).

### 7.3 Asennus

Huomio! Ennen kaikkia kuviosahan huolto- ja varustelutöitä tulee verkkopistoke irroittaa.

#### 7.3.1 Sahanterän suojuksen ja purun poispuhalluslaitteen asennus (kuvat 6/7/8)

- Työnnä sahanteränsuojus (5) pidikkeen (4) päälle.
- Työnnä pykäläruuvit (3) sahanteränsuojuksen (5) pitkien reikien lävitse ja ruuvaa ne kiinni.
- Pykäläruuvien avulla sahanteränsuojuksen voi kiinnittää eri korkeuksille.
- Asenna poispuhalluslaite (1) kuten kuvassa 8 näytetään.

#### 7.3.2 Sahanterän vaihto (kuvat 1/6/9/10/11/14)

##### Varoitus

**Epähuomiossa tapahtuvan käynnistämisen aiheuttamien tapaturmien välttämiseksi: Aina ennen sahanterän poistamista tai vaihtamista tulee katkaisin kääntää asentoon "0" ja verkkopistoke vetää pistorasiasta.**

- Käänä kiinnitysruuvia (9) vasemmalle sahanterän (17) jännityksen laukaisemiseksi.
- Ruuvaa vasemmanpuoleinen sivupelti (7) irti. Avaa tätä varten säilytyslaatikon (22) kansi ja ota ruuvit (C) pois (kuva 6). (On mahdollista vaihtaa sahanterä ottamatta vasemmanpuoleista sivupeltiä pois, mutta tähän tarvitaan enemmän näppäryyttä).
- Ota sahanterä ensimmäiseksi pois ylemmästä sahanteräpidikkeestä (24), paina tällöin ylemmää heilurivartta alaspäin.
- Ota sitten sahanterä pois alemmasta sahanterän pidikkeestä (25).
- Vedä sahanterä pöydän sisäkkeen (26) läpi ylöspäin pois.
- Pane uusi sahanterä tilalle päinvastaisessa järjestyksessä.

**Huomio: Pane sahanterä paikalleen aina niin, että hampaat osoittavat alaspäin sahanpöydän suuntaan.**

Sahanterä voidaan panna rakoon a (kuvat 9, 10) tai rakoon b (kuvat 9, 11):

##### Rako a:

puomin suuntaisia leikkauksia varten

##### Rako b:

puomin poikkisuuntaan tehtäviä leikkauksia varten.

Kiristä sahanterä kiertämällä kiinnitysruuvia (9) oikealle. Kun kiinnitysruuvi kääntyy hieman jäykemmin, niin sitä täytyy kiertää vielä n. 3 täyttä kierrosta, jotta terä on kiristetty riittävästi.

- Asenna vasemmanpuoleinen sivupelti (7) jälleen paikalleen. (Vain jos se on otettu pois)

### 7.3.3 Kulma-asteikon hienosäätö

Huomio: Kulma-asteikko on jo säädetty oikein tehtaalla ennen toimitusta.

Säädä sahanpöytä käyttäen apuna 90° kulmaa, jonka asetat sahanpöytää ja sahanterää vasten (kuva 12). Irrota ruuvi (28) ja käännä osoitin (27) merkin 90° kohdalle.

Tarkkaa työskentelyä varten tee koesahaus: Testaa säädetty kulma siten, että teet koeleikkauksen ja tarkastat säädetyn asteluvun työstökappaleessa kulmamitan avulla. Tarvittaessa korjaa osoittimen (27) säätöä.

## 8. Käyttö

### 8.1 Huomautus:

- Saha ei leikkaa puuta omatoimisesti. Käyttäjä mahdollistaa leikkaamisen ohjaamalla puun liikkuvaan sahanterään.
- Hampaat leikkaavat puuhun vain alaspäin liikkeessaan.
- Puuta täytyy liikuttaa sahanterään hitaasti, koska sahanterän hampaat ovat hyvin pienet.
- Jokainen, joka haluaa käyttää sahaa, tarvitsee tietyn opetteluajan. Tänä aikana särkyy varmasti muutama sahanterä.
- Paksumpia puita sahattaessa on huolehdittava erityisen hyvin siitä, ettei sahanterää taivuteta tai väännätä.
- Varovainen työskentelytapa pidentää sahanterän kestoaikaa.

### 8.2 Päälle-/pois-katkaisin (kuva 2/nro 14)

- Käynnistämistä varten painetaan "I"-painiketta.
- Sammuttamista varten täytyy painaa "O"-painiketta.

**Huomio:** Kone on varustettu turvakatkaisimella, joka estää sen uudelleenkäynnistymisen virtakatkon jälkeen.

Jos kuviosaha on käynnissä ja sähköverkon virransyöttö keskeytyy, niin kuviosaha jää sammuksiin silloinkin, kun virransyöttö jatkuu jälleen. Käynnistä saha painamalla „I“-katkaisinta uudelleen.

### 8.3 Iskuluvunsäädin

Iskuluvun säätimen (15) avulla voit säätää iskuluvun leikattavan materiaalin mukaan. Pehmeisiin materiaaleihin suosittelemme korkeaa iskulukua, koviin materiaaleihin alhaisempaa iskulukua. Kiertämällä iskuluvun säädintä (15) oikealle korotat iskulukua.

### 8.4 Sisäleikkausten suorittaminen

Yksi tämän kuviosahan erikoisominaisuuksista on mahdollisuus suorittaa sisäleikkauksia levyyn ilman että levyn ulkosivu tai ympärys vahingoittuu.

Suorita sisäleikkaus levyyn seuraavasti:

- Ota sahanterä pois kuten kohdassa 7.3.2 kuvattiin.
- Poraa reikä kyseiseen levyyn.
- Aseta levy sahanpöydälle siten, että reikä tulee terän syöttöreiän kohdalle.
- Asenna sahanterä levyssä olevan reiän lävitse ja säädä terän kireys.
- Kun olet tehnyt sisäleikkaukset loppuun, ota sahanterä pois teränpidikkeistä (kuten kohdassa 7.3.2 selitetään) ja ota sitten levy pöydältä.

### 8.5 Jiirileikkausten suorittaminen

Käännä pöytää siten, että irrotat lukitusvivun (12) ja kallistat sahanpöydän haluttuun asentoon (kuva 13). Kiristä lukitusvipu jälleen.

### Huomio!

Ole erityisen varovainen suorittaessasi jiirileikkauksia. Sahanpöydän kalteva asento helpottaa poisluiskahtamista.

### Loukkaantumisvaara!

FI

### 8.6 Lehtisahanterien sovittin (kuva 5/14)

- Ota sahanterä pois kuten kohdassa 7.3.2 selitettiin.
- Pane sitten lehtisahanterä (17) sovittimeen. Käytä apuna 2,5 mm koloavainta. Huomio: Lehtisahanterä ei kuulu toimitukseen.
- Ota ensin pöydän sisäke (26) pois.
- Ripusta sitten molemmat sovittimet (19) sahanteränpidikkeisiin (24/25).
- Pane sahanterä paikalleen kuten kohdassa 7.3.2 selitettiin.

## 9. Verkkoliitäntäjohdon vaihto

Jos tämän laitteen verkkoliitäntäjohto vahingoittuu, niin valmistajan tai sen asiakaspalvelun tai vastaavan ammattitaitoisen henkilön tulee vaihtaa se uuteen vaaratilanteiden välttämiseksi.

## 10. Puhdistus, huolto, säilytys ja varaosatilaukset

### Huomio!

Irrota verkkopistoke ennen kaikkia puhdistustoimia.

### 10.1 Puhdistus

- Pidä turvalaitteet, ilmaraot ja moottorin runko niin puhtaina pölystä ja liasta kuin suinkin mahdollista.
- Suosittelemme laitteen puhdistamista aina heti käytön jälkeen.
- Avaa vasemmanpuoleinen suojuus (kuva 1/nro 7), poista karkeat roskat (sahanpurut, pöly) lattiaharjalla.
- Pyyhi laite puhtaalla rievulla tai puhalla lika pois paineilmalla käyttäen alhaista paineasetusta.
- Puhdista laite säännöllisin väliajoin kostealla rievulla käyttäen hieman saippuaa. Älä käytä puhdistusaineita tai liuotteita; ne saattavat syövyttää laitteen muoviosia. Huolehdi siitä, ettei laitteen sisälle pääse vettä.

### 10.2 Huolto

Laitteen sisällä ei ole muita huoltoja tarvitsevia osia.

#### 10.2.1 Laakerit (kuva 1 / nro 8)

Voitele kääntöruullien laakerit korkealaatuisella konerasvalla säännöllisin väliajoin, kuitenkin viimeistään noin 25-30 käyttötunnin jälkeen.

#### 10.2.2 Hiiliharjat

Jos kipinänkehitys voimistuu liikaa, anna sähköalan ammattihenkilön tarkastaa hiiliharjojen kunto. Huomio! Vain sähköalan ammattihenkilö saa vaihtaa hiiliharjat uusiin.

### 10.3 Säilytys

Säilytä laite ja sen varusteet valolta, kosteudelta ja pakkaselta suojatussa tilassa poissa lasten ulottuvilta. Paras säilytyslämpötila on 5°C ja 30°C välillä. Säilytä sähkötyökalut alkuperäispakkauksissaan.

### 10.4 Varaosatilaukset:

Varaosa tilattaessa tulee antaa seuraavat tiedot:

- laitteen tyyppi
- laitteen tuotenumero
- laitteen tunnusnumero

Aktuellit hinnat ja muita tietoja löydät verkkosivustosta [www.isc-gmbh.info](http://www.isc-gmbh.info)

## 11. Käytöstäpoisto ja uusiokäyttö

Laite on pakattu kuljetuspakkaukseen, jotta vältetään kuljetusvauriot. Tämä pakkaus on raaka-ainetta ja sitä voi siksi käyttää uudelleen tai sen voi toimittaa kierrätyksen kautta takaisin raaka-ainekiertoon. Laite ja sen varusteet on valmistettu eri materiaaleista, kuten esim. metallista ja muoveista. Toimita violliset rakenneosat ongelmajätehävitykseen. Tiedustele ohjeita alan ammattiliikkeestä tai kunnanhallitukselta!



Koskee ainoastaan EU-maita

Älä heitä sähkötyökaluja  
kotitalousjätteisiin!

Euroopan direktiivin 2002/96/EY loppuunkäytetyistä sähkö- ja elektronisista laitteista ja sen kansalliseksi laiksi muuntamisen mukaan tulee käytetyt sähkötyökalut koota erikseen ja toimittaa ne ympäristöstävälliseen kierrätykseen.

Kierrätysvaihtoehto takaisinlähetykselle:  
Sähkölaitteen omistaja on veloitettu laitteen palauttamisen vaihtoehtona vaikuttamaan siihen, että hänen luovuttamansa omaisuus hävitetään asianmukaisesti. Loppuun käytetty laite voidaan tätä varten luovuttaa myös keräyspisteeseen, joka suorittaa sen käytöstäpoiston kansallisten kierrätystalous- ja jätehuoltolakien tarkoittamalla tavalla. Tämä ei koske käytettyihin laitteisiin liitettyjä lisävarusteita ja apuvälineitä, joissa ei ole sähköosia.

FI

## 12. Standardinmukaisuustodistus

Einhell Germany AG · Wiesenweg 22 · D-94405 Landau/Isar



## Konformitätserklärung

- erklärt folgende Konformität gemäß EU-Richtlinie und Normen für Artikel  
 explains the following conformity according to EU directives and norms for the following product  
 déclare la conformité suivante selon la directive CE et les normes concernant l'article  
 dichiara la seguente conformità secondo la direttiva UE e le norme per l'articolo  
 verklaart de volgende overeenstemming conform EU richtlijn en normen voor het product  
 declara la siguiente conformidad a tenor de la directiva y normas de la UE para el artículo  
 declara a seguinte conformidade, de acordo com a directiva CE e normas para o artigo  
 atterer følgende overensstemmelse i medfør af EU-direktiv samt standarder for artikel  
 förklarar följande överensstämmelse enl. EU-direktiv och standarder för artikeln  
 vakuuttaa, että tuote täyttää EU-direktiivin ja standardien vaatimukset  
 töendab toote vastavust EL direktiivile ja standarditele  
 vydává následující prohlášení o shodě podle směrnice EU a norem pro výrobek  
 potrjuje sledečo skladnost s smernico EU in standardi za izdelek  
 vydáva nasledujúce prehlásenie o zhode podľa smernice EÚ a noriem pre výrobok  
 a cikkekhez az EU-irányvonal és Normák szerint a következő konformitást jelenti ki  
 deklaruje zgodność wymienionego poniżej artykułu z następującymi normami na podstawie dyrektywy WE.  
 декларира съответното съответствие съгласно Директива на ЕС и норми за артикул  
 paskaidro šādu atbilstību ES direktīvai un standartiem  
 apibūdina šj atitikimą EU reikalavimams ir prekės normoms  
 declară următoarea conformitate conform directivei UE și normelor pentru articolul  
 δηλώνει την ακόλουθη συμμόρφωση σύμφωνα με την Οδηγία ΕΚ και τα πρότυπα για το προϊόν  
 potvrđuje sljedeću usklađenost prema smjernicama EU i normama za artikl  
 potvrđuje sljedeću usklađenost prema smjernicama EU i normama za artikl  
 potvrđuje sledeću usklađenost prema smernicama EZ i normama za artikal  
 следующим удостоверяется, что следующие продукты соответствуют директивам и нормам ЕС  
 проголошує про зазначену нижче відповідність виробу директивам та стандартам ЄС на виріб  
 ja izjavува следната сообрзност согласно EУ-директивата и нормите за артикли  
 Ürünü ile ilgili AB direktifleri ve normları gereğince aşağıda açıklanan uygunluğu belirtir  
 erklærer følgende samsvar i henhold til EU-direktivet og standarder for artikkel  
 Lýsir uppfyllingu EU-reglna og annarra staða vöru

## Dekupiersäge PDKS 120 A1 (Parkside)

- 2009/105/EC  
 2006/95/EC  
 2006/28/EC  
 2005/32/EC  
 2004/108/EC  
 2004/22/EC  
 1999/5/EC  
 97/23/EC  
 90/396/EC  
 89/686/EC\_96/58/EC
- 2006/42/EC  
 Annex IV  
 Notified Body:  
 Notified Body No.:  
 Reg. No.:
- 2000/14/EC\_2005/88/EC  
 Annex V  
 Annex VI  
 Noise: measured  $L_{WA}$  = dB (A); guaranteed  $L_{WA}$  = dB (A)  
 P = KW; L/Ø = cm  
 Notified Body:
- 2004/26/EC  
 Emission No.:

Standard references: EN 61029-1; EN 55014-1; EN 61000-3-2; EN 61000-3-3; EN 55014-2

Landau/Isar, den 12.07.2010

  
Weichselgartner/General Manager


  
Wentao/Product-Management

First CE: 10  
 Art.-No.: 43.090.23 I.-No.: 11010  
 Subject to change without notice

Archive-File/Record: 4309020-11-4177400-10  
 Documents registrar: Siegfried Roider  
 Wiesenweg 22, D-94405 Landau/Isar



# 13. TAKUUTODISTUS

## Arvoisa asiakas,

tuotteemme läpikäyvät erittäin tiukan laadunvalvontatarkastuksen. Mikäli tämä laite ei kuitenkaan toimi moitteettomasti, valitamme tapahtunutta suuresti ja pyydämme sinua kääntymään teknisen asiakaspalvelumme puoleen käyttäen tässä takuukortissa annettua osoitetta. Voit halutessasi myös ottaa yhteyttä puhelimitse allaolevaan palvelunumeroon. Takuuvaateiden esittämistä koskevat seuraavat säädökset:

1. Nämä takuumääräykset koskevat laajennettuja takuusuorituksia. Ne eivät vaikuta lakimääräisiin takuusuoritusvaateisiin millään tavalla. Takuumme on sinulle maksuton.
2. Takuusuoritus kattaa ainoastaan sellaiset puutteellisuudet, jotka aiheutuvat materiaali- tai valmistusvirheistä, ja se on rajattu ainoastaan näiden puutteellisuuksien korjaamiseen tai laitteen korvaamiseen uudella. Ole hyvä ja ota huomioon, että laitteitamme ei ole suunniteltu ja valmistettu käytettäväksi pienteollisuus-, käsityöläis- tai teollisuustarkoituksiin. Takuusopimusta ei siksi synny, jos laitetta käytetään pienteollisuus-, käsityöläis- tai teollisuustyöpaikoilla tai näihin verrattavissa olevissa toimissa. Takuumme ei myöskään sisällä kuljetusvaurioiden tai sellaisten vaurioiden korvaussuorituksia, jotka ovat aiheutuneet asennusohjeen noudattamatta jättämisestä tai asiantuntemattomasta asennuksesta, käyttöohjeen noudattamatta jättämisestä (esim. liitäntä vääryntyyppiseen verkkovirtaan), väärinkäytöstä tai virheellisestä käytöstä (esim. laitteen ylikuormittaminen tai hyväksymättömien työkalujen tai lisävarusteiden käyttäminen), huolto- ja turvallisuusmääräysten noudattamatta jättämisestä, vieraiden esineiden (esim. hiekan, kivien tai pölyjen) pääsystä laitteen sisään, väkivaltaisesta käsittelystä tai ulkopuolisista tekijöistä (esim. putoamisesta aiheutuneet vauriot) sekä käytöstä aiheutuvasta tavallisesta kulumisesta. Tämä koskee erityisesti niitä akkuja, joille me kuitenkin myönnämme 12 kuukauden pituisen takuun.

Takuuvaateet raukeavat, jos laitteelle on jo tehty jotain toimenpiteitä.

3. Takuuaika on 3 vuotta ja se alkaa laitteen ostopäivästä. Takuuvaateet tulee esittää ennen takuuajan päättymistä kahden viikon kuluessa siitä, kun olet havainnut vian. Takuuvaateiden esittäminen takuuajan päätyttyä ei ole mahdollista. Laitteen korjaus tai vaihto ei johda takuuajan pitenemiseen tai laitteen tai siihen mahdollisesti asennettujen varaosien takuuajan alkamiseen uudelleen alusta. Tämä koskee myös paikan päällä suoritettuja palveluja.
4. Takuuvaateesi esittämiseksi tulee viallinen laite lähettää postikulut maksettuna allaolevaan osoitteeseen. Ole hyvä ja liitä mukaan alkuperäinen maksukuitti tai muu päiväyksellä varustettu ostotosite. Säilytä tämän vuoksi kassakuitti huolella tositteenä! Ole hyvä ja kuvaa valituksen syy meille mahdollisimman tarkoin. Jos takuumme kattaa laitteessa olevan vian, saat korjatun tai uuden laitteen välittömästi takaisin.

Tietysti korjaamme mielellämme korvausta vastaan myös sellaiset laitteiden viat, jotka eivät kuulu tai eivät enää kuulu takuumme piiriin. Lähetä tätä varten laite tekniseen asiakaspalveluumme allaolevalla osoitteella.

**Kauppahuone Harju OY**  
Myllypuronkatu 2  
FIN-33330 Tampere  
Tel. 00358 207431330

**SE**

## Innehållsförteckning

**Sida**

1. Inledning .....	36
2. Säkerhetsanvisningar .....	36-39
3. Beskrivning av maskinen .....	39
4. Leveransomfattning .....	39
5. Ändamålsenlig användning .....	40
6. Tekniska data .....	40-41
7. Innan du använder maskinen .....	41-43
8. Använda maskinen .....	43-44
9. Byta ut nätkabeln .....	44
10. Rengöring, underhåll, förvaring och reservdelsbeställning .....	44
11. Skrotning och återvinning .....	44-45
12. Försäkran om överensstämmelse .....	46
13. Garantibevis .....	47

Eftertryck eller annan duplicering av dokumentation och medföljande underlag för produkterna, även utdrag, är endast tillåtet med uttryckligt tillstånd från ISC GmbH.

Med förbehåll för tekniska ändringar.

## Extra säkerhetsanvisningar



“VARNING – Läs igenom bruksanvisningen för att sänka risken för skador”



### Bär hörselskydd.

Buller kan leda till nedsatt hörsel.



### Bär dammskyddsmask.

Vid bearbetning av trä och andra material finns det risk för att hälsovådligt damm uppstår. Asbesthaltiga material får inte bearbetas!



### Bär skyddsglasögon.

Medan du använder maskinen finns det risk för att gnistor uppstår eller att splitter, spån och damm flyger ut ur verktyget. Dessa kan leda till att du blir blind.



### Varning! Risk för skador!

Grip inte in i det löpande sågbladet!

## 1. Inledning

### ⚠ Obs!

Innan produkterna kan användas måste särskilda säkerhetsanvisningar beaktas för att förhindra olyckor och skador. Läs därför noggrant igenom denna bruksanvisning och dessa säkerhetsanvisningar. Förvara den på ett säkert ställe så att du alltid kan hitta önskad information. Om maskinen ska överlåtas till andra personer måste även denna bruksanvisning och dessa säkerhetsanvisningar medfölja. Vi övertar inget ansvar för olyckor eller skador som har uppstått om denna bruksanvisning eller dessa säkerhetsanvisningar åsidosätts.

## 2. Säkerhetsanvisningar

### ⚠ VARNING!

**Läs igenom alla säkerhetsanvisningar och instruktioner.** Om säkerhetsanvisningarna eller instruktionerna inte beaktas på avsett vis finns det risk för elektriska slag, brand eller allvarliga personskador.

**Spara på alla säkerhetsanvisningar och instruktioner för framtida bruk.**

### 2.1 Allmänna säkerhetsanvisningar för elverktyg

**Obs! Vid användning av elverktyg måste följande säkerhetsåtgärder beaktas för att skydda användaren mot elektriska stötar, personskador och brandfara. Läs igenom och beakta anvisningarna innan du använder maskinen.**

- Håll alltid arbetsplatsen i ordning**  
Dålig ordning på arbetsplatsen leder ofta till olyckor.
- Tänk på påverkan från omgivningen**  
Utsätt inte elverktyg för regn. Använd inte elverktyg i fuktig eller våt omgivning. Se till att belysningen är tillräcklig. Använd aldrig elverktyg i närheten av brännbara vätskor eller gaser.

- Skydda dig mot elektriska stötar**  
Undvik att röra vid jordade delar, t ex rör, radiatorer, spisar eller kylskåp.
- Se till att inga barn finns i närheten!**  
Låt inga andra personer röra vid verktyget eller kabeln och se till att dessa vistas utanför ditt arbetsområde.
- Förvara dina verktyg på ett säkert ställe**  
Verktyg som inte används måste förvaras i ett torrt och låst utrymme utom räckhåll för barn.
- Överbelasta inte dina elverktyg.**  
Elverktyget fungerar bäst inom det angivna effektområdet.
- Använd alltid rätt verktyg till avsett arbete**  
Använd inte för svaga verktyg eller tillsatsapparater för krävande arbeten. Använd endast verktygen till de arbeten de är avsedda för. Använd t ex ingen handcirkelsåg för att fälla träd eller såga av grenar.
- Bär lämpliga arbetskläder**  
Bär aldrig löst sittande kläder eller smycken. Det finns risk för att dessa fastnar i roterande delar. Om du ska arbeta utomhus rekommenderar vi att du använder gummihandskar och halkfria skor. Bär hårnät om du har långt hår.
- Använd skyddsutrustning**  
Bär skyddsglasögon. Använd en dammskyddsmask om damm uppstår under arbetet.
- Använd endast kabeln till avsett ändamål**  
Bär inte verktyget i kabeln och använd den inte till att dra ut stickkontakten ur vägguttaget. Skydda kabeln mot värme, olja och vassa kanter.
- Spänn fast arbetsstycket**  
Spänn fast arbetsstycket med spännanordningen eller ett skruvstycke. Arbetsstycket sitter då säkrare än om du håller det med handen och dessutom kan du hålla verktyget med båda händerna.
- Sträck dig inte utöver ditt arbetsområde**  
Undvik onormala kroppshållningar. Se till att du står stabilt och håll alltid balansen.
- Vårda dina verktyg noggrant**  
Håll dina verktyg vassa och rena för att

kunna arbeta bättre och säkrare. Följ underhållsföreskrifterna och anvisningarna om verktygsbyte. Kontrollera stickkontakten och kabeln i regelbundna intervaller. Vid skador får endast en behörig tekniker utföra reparation. Kontrollera förlängningskabeln i regelbundna intervaller och byt ut den om den är skadad. Se till att handtagen är torra och fria från olja och fett.

#### 14. Dra ut stickkontakten

Om verktyget inte används, inför underhåll och vid verktygsbyte, t ex sågblad, borr och maskinverktyg av olika slag.

#### 15. Låt aldrig verktygsnycklar sitta kvar

Kontrollera innan du kopplar in maskinen att nycklar och inställningsverktyg har tagits bort.

#### 16. Undvik att starta upp oavsiktligt

Bär aldrig verktyget med fingret vid strömbrytaren om verktyget redan har anslutits till strömnätet. Övertyga dig om att strömbrytaren har slagits ifrån innan du ansluter verktyget till strömnätet.

#### 17. Förlängningskablar utomhus

Vid utomhusbruk ska endast härford godkänd och märkt förlängningskabel användas.

#### 18. Var alltid uppmärksam

Var medveten om ditt arbete. Var medveten om vilka arbetsuppgifter du vill utföra. Använd inte verktyget om du är okoncenterad.

#### 19. Kontrollera om maskinen är skadad

Innan du fortsätter att använda verktyget, kontrollera noggrant att skyddsanordningar och lätt skadade delar fungerar rätt och uppfyller ändamålsenlig funktion. Kontrollera att de rörliga delarna fungerar eller om de kläms fast eller om vissa delar är skadade. Samtliga delar måste vara rätt monterade för att kunna uppfylla alla krav som ställs på maskinen.

Om skyddsanordningar eller andra delar är skadade, måste maskinen lämnas in till en kundtjänstverkstad som antingen byter ut eller reparerar dessa delar, såvida inget annat anges i bruksanvisningarna. Skadade strömbrytare måste bytas ut av en kundtjänstverkstad. Använd inte verktyg vars strömbrytare inte kan slås till eller ifrån.

#### 20. Obs!

För din egen säkerhet ska du endast använda tillbehör och tillsatsutrustning som anges i bruksanvisningen eller som har rekommenderats eller angetts av verktygstillverkaren. Om annan tillsatsutrustning eller tillbehör används än de som anges i bruksanvisningen eller katalogen finns det risk för att du skadas.

#### 21. Reparation får endast utföras av behörig elektriker

Detta elverktyg uppfyller gällande säkerhetsbestämmelser. Reparationer får endast genomföras av behörig elektriker eftersom användaren i annat fall kan komma att utsättas för fara.

#### 22. Anslut spånsugen

Om anordningar för anslutning av spånsug är förhanden, övertyga dig om att dessa är anslutna och även används.

#### Särskilda säkerhetsanvisningar

- I en nödsituation måste maskinen slås ifrån direkt och stickkontakten dras ut.
- Beakta alla dessa anvisningar innan och medan du använder sågen.
- Använd inte sågen till att såga ved.
- Runt virke får endast kapas i maskinen med en lämplig fästianordning.
- Maskinen är utrustad med en nollspänningsbrytare som förhindrar att den kopplas in automatiskt efter strömavbrott.
- Om en förlängningskabel måste användas, måste du först kontrollera att ledararean är tillräcklig för sågens strömförbrukning. Minsta ledararean uppgår till 1 mm<sup>2</sup>.
- Rulla alltid av all kabel från kabeltrumman innan du ansluter den till maskinen.
- Personer som arbetar vid maskinen får inte distraheras.
- Efter att drivningen har kopplats ifrån får sågbladet under inga som helst omständigheter bromsas i förtid genom att man trycker på dess sidor.
- Montera endast in vassa sågblad som inte är spruckna eller deformerade.
- Byt ut defekta sågblad omgående.
- Använd inga sågblad vars parametrar avviker från uppgifterna i denna bruksanvisning.

SE

- Övertyga dig om att alla anordningar som täcker över sågbladet fungerar på avsett vis.
- Säkerhetsanordningarna på maskinen får inte demonteras eller göras överksamma.
- Skadade eller felaktiga skyddsanordningarna måste bytas ut omgående.
- Såga inga arbetsstycken som är så små att du inte kan hålla dem säkert med handen.
- Belasta inte maskinen så mycket att den stannar.
- Tryck alltid arbetsstycket ordentligt mot arbetsplattan.
- Ta aldrig bort löst splitter, spån eller fastklämda virkesdelar medan sågbladet är i rörelse.
- Slå alltid ifrån maskinen om störningar ska åtgärdas vid insatsverket. - Dra ut stickkontakten- Åtgärda blockeringen. Obs! Risk för skador av sågbladet! Bär skyddshandskar. Genomför en provkörning utan arbetsstycke. Kontrollera att inga ovanliga ljud eller vibrationer uppstår. Om detta skulle inträffa måste du slå ifrån maskinen och kontakta tillverkaren.
- Bestyckningar samt inställnings-, mättnings- och rengöringsarbeten får endast utföras om motorn har kopplats ifrån. - Dra ut stickkontakten -
- Kontrollera innan du kopplar in maskinen att nycklar och inställningsverktyg har tagits bort.
- Koppla ifrån motorn och dra ut stickkontakten innan du lämnar arbetsplatsen.
- Elinstallation, reparation och underhåll får endast utföras av behörig och utbildad personal.
- Se till att samtliga skydds- och säkerhetsanordningar återmonteras omedelbart efter att reparation eller underhåll har avslutats.
- Beakta tillverkarens säkerhets-, arbets- och underhållsanvisningar samt de mått som anges i tekniska data.
- Gällande arbetarskyddsföreskrifter och övriga, allmänt erkända säkerhetstekniska regler måste beaktas.
- Beakta anvisningshäften från branschorganisationen (VBG 7j).
- Sågen är endast godkänd för användning inomhus.
- Arbetsstycken som är mindre än sågbladsskyddet kan förorsaka skador på händer och fingrar. Använd lämpliga hjälpmedel.
- Undvik att hålla händerna krampartat när arbetsstycket för framåt, och undvika positioner där det finns risk för att sågbladet skulle träffa handen direkt om du skulle slinta.
- Montera alltid sågbladet så att tänderna pekar nedåt mot sågbordet.
- Ställ alltid in rätt spänning i sågbladet för att förhindra att det bryts sönder.
- Var försiktig när du sågar material med oregelbundna sågprofiler.
- Var särskilt försiktig när du såga runda del, t ex stänger eller rör. Det finns risk för att de rullar framför sågbladet och tänderna därefter hakar fast. Stötta upp sådana arbetsstycken med en kil.
- När arbetsstycket dras tillbaka finns det risk för att tänderna hakar fast i sågningsfogen, särskilt om fogen blockeras av sågspån. I detta fall bör du slå ifrån sågen, dra ut stickkontakten, öppna sågningsfogen med en kil och sedan dra av arbetsstycket.
- Lämna aldrig arbetsplatsen medan sågen fortfarande är igång. Vänta tills sågen har stannat helt.
- Medan sågen är igång får inga delar sättas samman, limmas eller byggas ihop på arbetsbordet.
- Slå inte på sågen förrän arbetsbordet är fritt från materialrester och verktyg. Låt endast arbetsstycken som ska bearbetas samt erforderliga hjälpmedel (kilar) ligga kvar på arbetsbordet.
- Bär alltid skyddsglasögon.
- Håll fingrarna på tillräckligt avstånd från sågbladet.
- Skjut fram arbetsstycket säkert och stabilt och låt det aldrig ligga löst.
- Lämna aldrig arbetsplatsen medan sågen fortfarande är igång.
- Om du inte är van vid sågen får detta inte innebära att du blir ouppmärksam. Ett ögonblicks ouppmärksamhet kan leda till

allvarliga personskador.

**Förvara säkerhetsanvisningarna på ett säkert ställe.**

### 3. Beskrivning av maskinen (bild 1-15)

1. Renblåsningsanordning
2. Hållare
3. Råfflad skruv
4. Hållare
5. Sågbladsskydd
6. Sågbord
7. Vänster kåpskydd
8. Lagerställan
9. Spännskruv
10. Bom
11. Gradskala
12. Spärrspak
13. Dammsugsanslutning
14. Strömbrytare
15. Slagtalsreglering
16. Monteringspunkter
17. Sågblad
18. Dammsugsadapter
19. Adapter för lövsågblad
20. Sexkantnyckel 2,5 mm
21. Sexkantnyckel 4 mm
22. Förvaringsbox för sågblad
23. Distansbricka
24. Sågbladshållare upptill
25. Sågbladshållare nedtill
26. Sågplatta
27. Visare
28. Skruv

### 4. Leveransomfattning

- Öppna förpackningen och ta försiktigt ut maskinen ur förpackningen.
- Ta bort förpackningsmaterialet samt förpacknings- och transportsäkringar (om förhanden).
- Kontrollera att leveransen är komplett.
- Kontrollera om maskinen eller tillbehörsdelarna har skadats i transporten.
- Spara om möjligt på förpackningen tills garantitiden har gått ut.

#### **WARNING!**

**Maskinen och förpackningsmaterialet är inga leksaker! Barn får inte leka med plastpåsar, folie eller smådelar! Risk för att barn sväljer delar och kvävs!**

- Kontursåg
- Sågbladsskydd
- Råfflad skruv (2 st)
- Distansbricka Ø 6 mm (2 st)
- Renblåsningsanordning
- Reservsågblad (10 st) (för trä och plast)
- Adapter för lövsågblad (2 st)
- Sexkantnyckel 2,5 mm
- Sexkantnyckel 4 mm
- Utsugningsadapter
- Original-bruksanvisning

## 5. Ändamålsenlig användning

Kontursågen är avsedd för sågning av kantvirke eller träliknande arbetsstycken, t ex plexiglas, glasfiberförstärkt plast, skumgummi, gummi, läder och kork. Använd inte sågen till att såga runt material. Runt material kan lätt klämmas fast. **Risk för skador! Risk för att delar slungas ut!**

Maskinen får endast användas till sitt avsedda ändamål. Användningar som sträcker sig utöver detta användningsområde är ej ändamålsenliga. För materialskador eller personskador som resulterar av sådan användning ansvarar användaren själv. Tillverkaren övertar inget ansvar.

Tänk på att våra produkter endast får användas till ändamålsenligt syfte och inte har konstruerats för yrkesmässig, hantverksmässig eller industriell användning. Vi ger därför ingen garanti om maskinen används inom yrkesmässiga, hantverksmässiga eller industriella verksamheter eller vid liknande aktiviteter.

- Endast passande sågblad får användas till denna maskin. Inga slags delningsklingor får användas.
- Till maskinens ändamålsenliga användning hör också att säkerhetsanvisningarna samt monteringsanvisningarna och driftanvisningar i bruksanvisningen ska följas.
- Personer som använder och underhåller maskinen måste känna till utrustningens funktioner och ha instruerats om eventuella faror.
- Dessutom måste gällande arbetarskyddsföreskrifter följas exakt.
- Övriga allmänna regler för arbetsmedicinska och säkerhetstekniska områden ska även beaktas.
- Om maskinen ändras leder detta till att tillverkarens ansvar för därutav resulterande skador upphör att gälla.

### Kvarstående risker

**Kvarstående risker föreligger alltid även om detta elverktyg används enligt föreskrift. Följande risker kan uppstå på grund av elverktygets konstruktion och utförande:**

- Lungskador om ingen lämplig dammfiltermask används.
- Hörselskador om inget lämpligt hörselskydd används.
- Risk för personskador om användaren kommer åt verktyget inom det oskyddade sågområdet.
- Risk för personskador vid verktygsbyte (skärsår).
- Risk för att fingrar kläms fast.
- Risk för rekyler.
- Risk för att arbetsstycket tippar om uppläggningsytan är för liten.
- Risk för personskador om sågverktyget rörs vid.
- Risk för att delar av kvistar eller arbetsstycken slungas ut från maskinen.

## 6. Tekniska data

Nätspänning	230 V ~ 50 Hz
Effektförbrukning	120 W
Driftslag	S2 5 min.
Tomgångsvarvtal $n_0$	400 - 1 600 min <sup>-1</sup>
Kapslingsklass	IP 20
Slagrörelse	21 mm
Uppställningsyta	410 x 245 mm
Svängbart bord	0° till 45° åt vänster
Bordets storlek	410 x 253 mm
Sågbladets längd	134 mm
Sågdjup	406 mm
Såghöjd max. vid 90°	57 mm
Såghöjd max. vid 45°	32 mm
Vikt	ca 10,5 kg



**Inkopplingstid**

Nominell drifttid 5 min / Nominell vilotid 5 min  
Inkopplingstiden S2 5 min (korttidsdrift) innebär att motorn endast får belastas kontinuerligt med märkeffekten 120 W under den tid som anges på typskylten (5 min). I annat fall kommer motorn att värmas upp otillåtet mycket. Under pausen kyls motorn ned till sin utgångstemperatur.

**Bulleremissionsvärden****Buller och vibration**

Buller- och vibrationsvärden har bestämts enligt EN 61029.

**Bär hörselskydd.**

Buller kan leda till nedsatt hörsel.

	Drift	Tomgång
Ljudtrycksnivå $L_{pA}$	82,6 dB	62,3 dB
Osäkerhet $K_{pA}$		3 dB
Ljudeffektnivå $L_{WA}$	95,6 dB	75,3 dB
Osäkerhet $K_{WA}$		3 dB

Angivna värden är emissionsvärden och måste därför inte tvunget motsvara säkra arbetsplatsvärden. Även om det finns ett samband mellan emissions- och immissionsnivåer, är det inte möjligt att utifrån dessa värden härleda om ytterligare försiktighetsåtgärder är nödvändiga eller ej. Faktorer som kan påverka den aktuella immissionsnivån vid arbetsplatsen kan t ex vara hur lång tid som inverkan föreligger, arbetsrummets form, andra bullerkällor osv, t ex antal maskiner och andra angränsande arbetsprocesser. Tillförlitliga arbetsplatsvärden kan även variera från land till land. Denna information syftar dock till att hjälpa användaren att bättre uppskatta vilka faror och risker som föreligger.

**Begränsa uppkomsten av buller och vibration till ett minimum!**

- Använd endast intakta maskiner.
- Underhåll och rengör maskinen regelbundet.
- Anpassa ditt arbetssätt till maskinen.
- Överbelasta inte maskinen.
- Lämna in maskinen för översyn vid behov.
- Slå ifrån maskinen om den inte längre används.

**7. Innan du använder maskinen****Obs!**

**Dra alltid ut stickkontakten innan du gör några inställningar på maskinen.**

**7.1 Allmänt**

- Innan maskinen tas i drift måste alla skydd och säkerhetsanordningar ha monterats på avsett vis.
- Sågbladet måste kunna slå fritt.
- Var uppmärksam på främmande föremål, t ex spik eller skruv, om virket som ska sågas redan har bearbetats.
- Innan du slår på maskinen med strömbrytaren måste du övertyga dig om att sågbladet är rätt monterat och att de rörliga delarna inte klämmer.
- Övertyga dig om att uppgifterna på typskylten stämmer överens med nätets data innan du ansluter maskinen till vägguttaget.
- Anslut maskinen endast till ett jordat vägguttag som har installerats enligt gällande föreskrift och som är kopplat till en säkring med minst 10 A.

SE

## 7.2 Montera kontursågen på en arbetsbänk (bild 3, 4)

Maskinen får endast monteras av en kunnig fackman.

Följande behövs för montering (ingår inte i leveransomfattningen):

- Sexkantskruv M8 (4 st)
- Sexkantmutter M8 (8 st)
- Distansbricka Ø 8 mm (4 st)
- Flat packning Ø 8 mm (4 st)
- Gummiunderlägg: 450x250x13 mm

Längden på skruvarna är beroende av tjockleken på bordsskivan.

- Montera kontursågen på ett massivt arbetsbord av trä. Därigenom kan man undvika högt buller av vibrationer.
- Markera borrhålen. Använd kontursågen som mall.
- Borr 4 st hål Ø 9 mm i arbetsbordet och gummiunderlägget.
- Skruva fast kontursågen på arbetsbordet i monteringspunkterna (bild 3/12, pos. 16) i denna ordningsföljd (bild 4):

- A) Kontursåg
- B) Gummiunderlägg
- C) Arbetsbord
- D) Flat packning
- E) Distansbricka
- F) Sexkantmutter
- G) Sexkantmutter
- H) Sexkantskruv

Dra först åt sexkantmutter (F) och fixera den därefter med en andra sexkantmutter (G).

## 7.3 Montera maskinen

Obs! Dra alltid ut stickkontakten innan du underhåller eller bestyckar kontursågen.

### 7.3.1 Montera sågbladsskyddet och renblåsningsanordningen (bild 6/7/8)

- Skjut sågbladsskyddet (5) på hållaren (4).
- Skjut in de räfflade skruvarna (3) i de avlånga hålen i sågbladsskyddet (5) och skruva fast.
- Med hjälp av de räfflade skruvarna kan sågbladsskyddet ställas in på olika höjder.

- Montera renblåsningsanordningen (1) enligt beskrivningen i bild 8.

### 7.3.2 Byta ut sågblad (bild 1/6/9/10/11/14)

#### Varning

**För att undvika skador vid en plötslig start: Ställ alltid strömbrytaren på läge "0" och dra ut stickkontakten ur stickkontakten innan sågbladet demonteras eller byts ut.**

- Vrid spännskruven (9) åt vänster för att spänna loss sågbladet (17).
- Skruva av vänster kåpskydd (7). Lyft på locket till förvaringsboxen (22) och ta av skruvarna (C) (bild 6). (Det är även möjligt att byta ut sågbladet utan att först demontera vänster kåpskydd, men det kräver lite mer skicklighet).
- Ta först ut sågbladet ur den övre sågbladshållaren (24) samtidigt som du trycker ned den övre pendelarmen.
- Ta sedan ut sågbladet ur den nede sågbladshållaren (25).
- Dra åt sågbladet genom öppningen i sågplattan (26).
- Montera ett nytt sågblad i omvänd följd.

**Obs! Sätt alltid in sågbladet så att tänderna pekar ned mot sågbordet.**

Sågbladet kan sättas in i slitsen a (bild 9, 10) eller b (bild 9, 11):

#### Slits a:

För sågning längs med bommen

#### Slits b:

För sågning tvärs emot bommen

Spänn åt sågbladet genom att vrida spännskruven (9) åt höger. När det börjar gå trögt att spänna åt spännskruven måste den vridas ytterligare tre varv så att den är ordentligt spänd.

- Montera tillbaka vänster kåpskydd (7). (Endast om den är demonterad)

### 7.3.3 Fininställning av vinkelskalan

Obs! När maskin levereras är vinkelskalan redan rätt inställd.

Ställ in sågbordet med en 90° vinkelhake som hålls emot sågbordet och sågbladet (bild 12). Lossa på skruven (28) och vrid visaren (27) till markeringen 90°.

Utför en provsågning för att vara säker på att få exakta resultat:

Testa den inställda vinkeln genom att göra en provsågning och kontrollera det inställda gradtalet vid arbetsstycket med en vinkelmätare. Justera in visaren (27) vid behov.

## 8. Använda maskinen

### 8.1 Anmärkning

- Sågar sågar inte trä automatiskt. Använder måste såga genom att skjuta fram virket mot sågbladet som befinner sig i rörelse.
- Tänderna på sågbladet sågar endast vid nedåtgående rörelse.
- Skjut virket långsamt mot sågbladet eftersom tänderna på sågbladet är mycket små.
- Alla personer som vill använda sågen behöver en viss tid för att lära sig hur sågen fungerar. Under denna tid kommer en del sågblad att brytas sönder.
- Om tjockare trä ska sågas måste man se till att sågbladet inte böjs eller vrids runt.
- Om du är försiktig kan använda sågbladet under lång tid framöver.

### 8.2 Strömbrytare (bild 2/pos. 14)

- Tryck på knappen "I" för att slå på maskinen.
- Tryck på knappen "0" för att slå ifrån maskinen.

**Varning!** Maskinen är utrustad med en nollspänningsbrytare som förhindrar att den kopplas in automatiskt efter strömavbrott.

Om kontursågen har slagits på och strömförsörjningen från elnätet avbryts, kommer kontursågen att förbli frånkopplad

även efter att strömmen har kommit tillbaka. Tryck på knappen "I" igen för att slå på maskinen.

### 8.3 Slagtalsreglering

Använd slagvalsregleringen (15) för att ställa in slagtalet till materialet som ska sågas. För mjukt material rekommenderar vi höga slagtal, för hårda material låga varvtal. Vrid slagvalsregleringen (15) åt höger för att höja varvtalet.

### 8.4 Genomför sticksågningar

Ett kännetecken för denna kontursåg är att man kan utföra sticksågningar i en platta utan att utsidan eller plattans omkrets skadas.

Gör så här för att utföra en sticksågning i en platta:

- Demontera sågbladet enligt beskrivningen i avsnitt 7.3.2.
- Borra ett hål i den aktuella plattan.
- Lägg plattan på sågbordet med hålet över åtkomsthålet.
- Sätt sågbladet genom hålet i plattan och montera det därefter. Spänn åt sågbladet.
- Efter att du sågat klart ska sågbladet demonteras från sågbladshållarna (enligt beskrivningen i avsnitt 7.3.2) och plattan tas av från bordet.

### 8.5 Utföra geringssågningar

Lossa på spärrspaken (12) och sväng bordet till avsett läge (bild 13). Dra åt spärrspaken igen.

#### Obs!

Var mycket försiktig när du utför geringssågningar. På grund av att sågbordet står snett finns det risk för att arbetsstycket glider. **Risk för skador!**

SE

### 8.6 Adapter för lövsågblad (bild 5/14)

- Demontera sågbladet enligt beskrivningen under 7.3.2.
- Sätt in lövsågbladet (17) i adaptern. Använd sexkantnyckeln 2,5 mm. Obs! Lövsågbladet medföljer ej.
- Ta först av sågplattan (26).
- Häng sedan in de båda adapterna (19) vid de två sågbladshållarna (24/25).
- Sätt in sågbladet enligt beskrivningen under punkt 7.3.2.

## 9. Byta ut nätkabeln

Om nätkabeln till denna maskin har skadats måste den bytas ut av tillverkaren, kundtjänst eller av en annan person med liknande behörighet eftersom det annars finns risk för personskador.

## 10. Rengöring, underhåll, förvaring och reservdelsbeställning

### Obs!

Dra alltid ut stickkontakten om maskinen ska rengöras.

### 10.1 Rengöring

- Håll skyddsanordningarna, ventilationsöppningarna och motorkåpan i så damm- och smutsfritt skick som möjligt.
- Vi rekommenderar att du rengör maskinen efter varje användningstillfälle.
- Öppna vänster kåpskydd (bild 1/pos.7), ta bort grov smuts (sågspån, damm) med en handborste.
- Torka av maskinen med en ren duk eller blås av den med tryckluft med svagt tryck.
- Rengör maskinen med jämna mellanrum med en fuktig duk och en aning såpa. Använd inga rengörings- eller lösningsmedel. Dessa kan skada maskinens plastdelar. Se till att inga vätskor tränger in i maskinens inre.

### 10.2 Underhåll

I maskinens inre finns inga delar som kräver underhåll.

#### 10.2.1 Lager (bild 1/pos. 8)

Smörj in lagerställena för brytskivorna med jämna mellanrum med ett högvärdigt maskinfett, dock senast efter ca 25-30 drifttimmar.

#### 10.2.2 Kolborstar

Vid stark gnistbildning måste du låta en behörig elinstallatör kontrollera kolborstarna. Obs! Kolborstarna får endast bytas ut av en behörig elinstallatör.

### 10.3 Förvaring

Förvara maskinen och dess tillbehör på en mörk, torr och frostfri plats samt otillgängligt för barn. Den bästa förvaringstemperaturen är mellan 5 och 30°C. Förvara maskinen i originalförpackningen.

### 10.4 Reservdelsbeställning

Ange följande uppgifter när du beställer reservdelar:

- Maskintyp
- Maskinens artikelnummer
- Maskinens ID-nr.

Aktuella priser och ytterligare information finns på [www.isc-gmbh.info](http://www.isc-gmbh.info)

## 11. Skrotning och återvinning

Maskinen ligger i en förpackning som fungerar som skydd mot transportskador. Denna förpackning består av olika material som kan återvinnas. Lämna in förpackningen till ett insamlingsställe för återvinning. Maskinen och dess tillbehör består av olika material som t ex metaller och plaster. Lämna in defekta delar till ett godkänt insamlingsställe i din kommun. Hör efter med din kommun eller med försäljaren i din specialbutik.



Endast för EU-länder

Kasta inte elverktyg i hushållssoporna.

Enligt det europeiska direktivet 2002/96/EG om avfall som utgörs av eller innehåller elektriska eller elektroniska produkter och dess tillämpning i den nationella lagstiftningen, måste förbrukade elverktyg källsorteras och lämnas in för miljövänlig återvinning.

Återvinnings-alternativ till begäran om återsändning:

Som ett alternativ till returnering är ägaren av elutrustningen skyldig att bidra till ändamålsenlig avfallshantering för det fall att utrustningen ska skrotas. Efter att den förbrukade utrustningen har lämnats in till en avfallsstation kan den omhändertas i enlighet med gällande nationella lagstiftning om återvinning och avfallshantering. Detta gäller inte för tillbehör delar och hjälpmedel utan elektriska komponenter vars syfte har varit att komplettera den förbrukade utrustningen.

SE

## 12. Försäkran om överensstämmelse

Einhell Germany AG · Wiesenweg 22 · D-94405 Landau/Isar



## Konformitätserklärung

- (C)** erklårt folgende Konformität gemäß EU-Richtlinie und Normen für Artikel
- (EN)** explains the following conformity according to EU directives and norms for the following product
- (F)** déclare la conformité suivante selon la directive CE et les normes concernant l'article
- (I)** dichiara la seguente conformità secondo la direttiva UE e le norme per l'articolo
- (NL)** verklaart de volgende overeenstemming conform EU richtlijn en normen voor het product
- (E)** declara la siguiente conformidad a tenor de la directiva y normas de la UE para el artículo
- (P)** declara a seguinte conformidade, de acordo com a directiva CE e normas para o artigo
- (DK)** atterer følgende overensstemmelse i medfør af EU-direktiv samt standarder for artikel
- (S)** förklarar följande överensstämmelse enl. EU-direktiv och standarder för artikeln
- (RU)** вakuuttaa, että tuote täyttää EU-direktiivin ja standardien vaatimukset
- (EL)** töendab toote vastavust EL direktiivile ja standarditele
- (CZ)** vydává následující prohlášení o shodě podle směrnice EU a norem pro výrobek
- (SK)** potvrduje sledujúce skladnosť s smernico EU in standardi za izdelek
- (HU)** vydáva nasledujúce prehlásenie o zhode podľa smernice EÚ a noriem pre výrobok
- (H)** a cikkekhez az EU-irányvonal és Normák szerint a következő konformitást jelenti ki
- (PL)** deklaruje zgodność wymienionego poniżej artykułu z następującymi normami na podstawie dyrektywy WE.
- (BG)** декларира съответното съответствие съгласно Директива на ЕС и норми за артикул
- (LV)** paskaidro šādu atbilstību ES direktīvai un standartiem
- (LT)** apibūdina šį atitikimą EU reikalavimams ir prekės normoms
- (RO)** declară următoarea conformitate conform directivei UE și normelor pentru articolul
- (GR)** δηλώνει την ακόλουθη συμμόρφωση σύμφωνα με την Οδηγία ΕΚ και τα πρότυπα για το προϊόν
- (HR)** potvrđuje sljedeću usklađenost prema smjernicama EU i normama za artikl
- (SI)** potrjuje sljedeću usklađenost prema smernicama EU i normama za artikl
- (ES)** potvrdjuje sledeću usklađenost prema smernicama EZ i normama za artikl
- (BG)** следующим удостоверяется, что следующие продукты соответствуют директивам и нормам ЕС
- (UK)** проголошує про зазначену нижче відповідність виробу директивам та стандартам ЄС на виріб
- (MK)** ja izjavuva slednata soobraznost согласно EУ-директивата и нормите за артикли
- (TR)** Ürünü ile ilgili AB direktifleri ve normları gereğince aşağıda açıklanan uygunluğu belirtir
- (N)** erklærer følgende samsvar i henhold til EU-direktivet og standarder for artikkel
- (IS)** Lýsir uppfyllingu EU-reglna og annarra staða vöru

## Dekupiersäge PDKS 120 A1 (Parkside)

- 2009/105/EC
- 2006/95/EC
- 2006/28/EC
- 2005/32/EC
- 2004/108/EC
- 2004/22/EC
- 1999/5/EC
- 97/23/EC
- 90/396/EC
- 89/686/EC\_96/58/EC
- 2006/42/EC
- Annex IV  
Notified Body:  
Notified Body No.:  
Reg. No.:
- 2000/14/EC\_2005/88/EC
- Annex V
- Annex VI  
Noise: measured  $L_{WA}$  = dB (A); guaranteed  $L_{WA}$  = dB (A)  
P = KW; L $\varnothing$  = cm  
Notified Body:
- 2004/26/EC  
Emission No.:

Standard references: EN 61029-1; EN 55014-1; EN 61000-3-2; EN 61000-3-3; EN 55014-2

Landau/Isar, den 12.07.2010

  
Weichselgartner/General Manager


  
Wentao/Product-Management

First CE: 10  
Art.-No.: 43.090.23 I.-No.: 11010  
Subject to change without notice

Archive-File/Record: 4309020-11-4177400-10  
Documents registrar: Siegfried Roider  
Wiesenweg 22, D-94405 Landau/Isar

# 13. GARANTIBEVIS

## Bästa kund,

Våra produkter genomgår en sträng kvalitetskontroll. Om denna produkt mot förmodan inte fungerar på rätt sätt, beklagar vi detta och ber dig att kontakta vår serviceavdelning under adressen som anges på garantikortet. Vi står även gärna till tjänst på telefon under servicenumret som anges nedan. Följande punkter gäller för att du ska kunna göra anspråk på garantin:

1. I dessa garantivillkor regleras extra garantitjänster. Garantianspråk som regleras enligt lag påverkas inte av denna garanti. Våra garantitjänster är gratis för dig.
2. Garantitjänsterna täcker endast in sådana brister som kan härledas till material- eller fabrikationsfel och är begränsade till arbetsuppgifter som syftar till att åtgärda dessa brister eller byta ut produkten. Tänk på att våra produkter endast får användas till ändamålsenligt syfte och inte har konstruerats för yrkesmässig, hantverksmässig eller industriell användning. Ett garantiavtal sluts därför ej om produkten ska användas inom yrkesmässiga, hantverksmässiga eller industriella verksamheter eller vid liknande aktiviteter. Vår garanti omfattar dessutom inte ersättning för transportskador, skador som kan härledas till missaktade monteringsanvisningar eller ej föreskriven installation, åsidosatt bruksanvisning (t ex anslutning till felaktig nätspänning eller strömart), missbruk eller ej ändamålsenliga användningar (t ex överbelastning av produkten eller användning av ej godkända insatsverktyg eller tillbehör), åsidosatta underhålls- och säkerhetsbestämmelser, främmande partiklar som har trängt in i produkten (t ex sand, sten eller damm), yttre våld eller yttre påverkan (t ex skador om produkten har fallit ned) samt normalt och användningsbundet slitage. Detta gäller särskilt för batterier som täcks av en 12 månaders garanti.

Anspråk på garanti upphör att gälla om ingrepp redan har gjorts i produkten.

3. Garantitiden uppgår till 3 år och gäller från datumet när produkten köptes. Medan garantitiden fortfarande gäller ska anspråk på garanti ställas inom två veckor efter att defekten fastställdes. Det är inte möjligt att ställa anspråk på garanti efter att garantitiden har löpt ut. Garantitiden förlängs inte när produkten repareras eller byts ut, dessutom medför sådana arbeten inte att en ny garantitid börjar gälla för produkten eller för ev. reservdelar som har monterats in. Detta gäller även vid hembesök.
4. För att du ska kunna ställa anspråk på garantin ska den defekta produkten skickas in i tillräckligt frakterat skick till adressen som anges nedan. Bifoga kvittot i original eller ett annat daterat köpebevis. Förvara därför kassakvittot på en säker plats! Beskriv orsaken till reklamationen så noggrant som möjligt. Om defekten i produkten täcks av våra garantitjänster, får du genast en reparerad eller ny apparat av oss.

Givetvis kan vi även, mot debitering, åtgärda skador som antingen inte täcks av garantin eller som har uppstått efter garantitidens slut. Skicka in produkten till nedanstående serviceadress.

**DK****Indholdsfortegnelse****Side**

1. Indledning .....	50
2. Sikkerhedsanvisninger .....	50-52
3. Maskinbeskrivelse .....	53
4. Pakkens indhold .....	53
5. Formålsbestemt anvendelse .....	53-54
6. Tekniske data .....	54-55
7. Før ibrugtagning .....	55-56
8. Betjening .....	57
9. Udskiftning af netledning .....	58
10. Renholdelse, vedligeholdelse, opbevaring og reservedelsbestilling .....	58
11. Bortskaffelse og genanvendelse .....	58-59
12. Overensstemmelseserklæring .....	60
13. Garantibevis .....	61

Genoptryk eller anden kopiering af dokumentation og følgedokumenter til produkter, også i uddrag, er kun tilladt med udtrykkelig tilladelse fra ISC GmbH.

48

Ret til tekniske ændringer forbeholdes



## Supplerende sikkerhedsanvisninger



„ADVARSEL – Betjeningsvejledningen skal læses for at minimere risikoen for personskade“



### Brug høreværn

Støjudviklingen fra maskinen kan føre til nedsat hørelse.



### Brug støvmaske.

Ved bearbejdning af træ og andre materialer kan der dannes sundhedsskadeligt støv. Der må ikke arbejdes med asbestholdigt materiale!



### Brug sikkerhedsbriller

Gnister, som opstår under arbejdet, eller splinter, spån og støv, som står ud fra maskinen, kan skade synet.



### Vigtigt! Fare for kvæstelse!

Hold hænderne borte fra den roterende savklinge!

DK

## 1. Indledning

### ⚠️ **Vigtigt!**

Ved brug af denne type maskiner er der visse sikkerhedsforanstaltninger, der skal tages højde for for at undgå skader på personer og materiel. Læs derfor betjeningsvejledningen/sikkerhedsanvisningerne grundigt igennem først. Opbevar betjeningsvejledningen et praktisk sted, så du altid har den lige ved hånden. Husk at lade betjeningsvejledningen/sikkerhedsanvisningerne følge med maskinen, hvis du overdrager den til andre. Vi fraskriver os ethvert ansvar for skader på personer eller materiel, der måtte opstå som følge af, at anvisningerne i denne betjeningsvejledning, navnlig vedrørende sikkerhed, ikke overholdes.

## 2. Sikkerhedsanvisninger

### ⚠️ **ADVARSEL**

**Læs alle sikkerhedsanvisninger og øvrige anvisninger.** Følges anvisningerne, navnlig sikkerhedsanvisningerne, ikke nøje som beskrevet, kan elektrisk stød, brand og/eller svære kvæstelser være følgen.

**Alle sikkerhedsanvisninger og øvrige anvisninger skal opbevares.**

### 2.1 Almindelige sikkerhedsanvisninger for elektriske apparater

**Vigtigt! Ved brug af el-værktøj skal følgende sikkerhedsforanstaltninger iagttages som beskyttelse mod elektrisk stød og imødegåelse af fare for kvæstelser og brand. Nedenstående anvisninger skal læses, inden maskinen tages i brug.**

- 1. Hold orden på arbejdsstedet**  
Uorden på arbejdsstedet øger faren for ulykker.
- 2. Tag hensyn til påvirkninger fra omgivelserne**  
Udsæt ikke el-værktøj for regn. Brug ikke el-værktøj i fugtige eller våde omgivelser. Sørg

for god belysning. Arbejd ikke i nærheden af brændbare væsker eller gasser.

- 3. Beskyt dig mod elektrisk stød**  
Undgå kropsberøring med jordforbundne dele, for eksempel rør, varmeapparat, komfur, køleskab.
- 4. Hold børn på god afstand!**  
Lad ikke andre personer berøre værktøj, kabel eller el-ledning, hold andre borte fra arbejdsområdet.
- 5. Opbevar værktøj sikkert**  
Ubenyttet værktøj skal opbevares i et tørt, aflåst rum, uden for børns rækkevidde.
- 6. Overbelast ikke værktøjet**  
Du arbejder bedre og mere sikkert inden for det angivne effektområde.
- 7. Brug det rigtige værktøj**  
Brug ikke for svagt værktøj eller forsatsenheder til svære arbejder. Brug ikke værktøj til formål og arbejder, de ikke er beregnet til; brug for eksempel ikke en håndholdt rundsav til at fælde træer eller skære grene med.
- 8. Bær egnet arbejdstøj**  
Bær ikke smykker eller fyldigt, løsthængende tøj. Dette vil kunne blive trukket ind af bevægelige dele. Ved arbejde i det fri anbefales det at bruge gummihandsker og skridsikket fodtøj. Brug hårnet, hvis du har langt hår.
- 9. Brug beskyttelsesudstyr**  
Bær beskyttelsesbriller. Brug åndedrætsværn ved støvfremkaldende arbejde.
- 10. Brug ikke ledningen til utilsigtede formål**  
Bær ikke værktøjet i ledningen, og hiv ikke i ledningen, når stikket skal trækkes ud af stikdåsen. Beskyt ledningen mod varme, olie og skarpe kanter.
- 11. Foretag sikring af arbejdsemnet**  
Benyt fastspændingsanordninger eller skruestik til at holde arbejdsemnet fast med. Dette er mere sikkert end at holde det i hånden og gør det muligt at betjene maskinen med begge hænder.
- 12. Skræv ikke over for stort et område**  
Undgå abnorme kropsholdninger. Sørg for at stå stabilt og hele tiden være i god balance.

**13. Plej værktøjet omhyggeligt**

Hold værktøj skarpt og rent, så du kan arbejde sikkert og effektivt. Følg anvisninger om vedligeholdelse og værktøjsskift. Kontroller stik og ledning med jævne mellemrum; i tilfælde af beskadigelse skal udbedring ske ved autoriseret el-fagmand. Kontroller med jævne mellemrum forlængerledninger; en beskadiget forlængerledning skal omgående skiftes ud. Hold håndtag tørre og fri for olie og fedt.

**14. Træk netstikket ud**

Når maskinen ikke benyttes, inden vedligeholdelse og værktøjsskift, for eksempel skift af savklinge, bor eller andre former for maskinværktøjer.

**15. Lad ikke værktøjsnøgler sidde i**

Kontroller, inden du tænder maskinen, at nøgler og indstillingsværktøj er fjernet.

**16. Undgå utilsigtet start**

Værktøj, der er tilsluttet strømforsyningsnettet, må ikke bæres med fingeren hvilende på afbryderen. Kontroller, at afbryderen er slået fra, når du slutter maskinen til strømforsyningsnettet

**17. Udendørs forlængerledninger**

Forlængerledninger til udendørs brug skal være særligt godkendt til formålet - se mærkningen

**18. Vær hele tiden opmærksom**

Hold øje med dit arbejde. Brug din sunde fornuft. Arbejd ikke med værktøjet, hvis du er ukoncentreret.

**19. Kontroller maskinen for skader**

Kontroller omhyggeligt, at beskyttelsesanordninger eller let beskadigede dele fungerer fejlfrit, som de skal, inden du tager maskinen i brug igen. Kontroller, at bevægelige dele fungerer, som de skal, er intakte og ikke sidder i klemme. Samtlige dele skal være monteret korrekt, så maskinen kan arbejde sikkert. Beskadigede beskyttelsesanordninger og dele skal udbedres eller udskiftes på serviceværksted, med mindre andet er nævnt i betjeningsvejledningen. Beskadigede kontakter skal skiftes ud på kundeserviceværksted. Brug ikke værktøj, hvor tænd/sluk-knappen ikke virker.

**20. Vigtigt!**

Anvend for din egen sikkerheds skyld kun tilbehør og hjælpeapparater, som nævnes i betjeningsvejledningen eller anbefales af værktøjets producent. Brug af værktøj og tilbehør, som ikke anbefales i betjeningsvejledningen eller kataloget, indebærer en fare for personskade.

**21. Reparationer er forbeholdt el-fagmand**

Dette el-værktøj imødekommer relevante sikkerhedsbestemmelser. Reparation skal udføres af el-fagmand, ellers er der fare for personskade.

**22. Tilslut støvudsugningsudstyr**

Hvis udstyr for tilslutning af støvudsugning forefindes, skal dette benyttes.

**Særlige sikkerhedsanvisninger**

- I en nødsituation skal maskinen slukkes umiddelbart og netstikket trækkes ud.
- Vær hele tiden opmærksom på alle disse anvisninger, før og under arbejdet med saven.
- Brug ikke saven til savning af brænde.
- Sav ikke på tværs af rundholt uden egnet holdeanordning.
- Saven er udstyret med en sikkerhedsafbryder, så den ikke genstarter af sig selv efter spændingsfald.
- Ved brug af forlængerledning skal du kontrollere, at ledningens tværsnit er tilstrækkeligt stort i forhold til savens strømforbrug. Mindste tværsnit 1 mm<sup>2</sup>.
- Anvendes kabeltromle, skal ledningen være rullet helt ud.
- Personer, som arbejder med saven, må ikke distraheres under arbejdet.
- Savklinger må ikke bremses ned ved at trykke ind på siden af dem, når maskinen slukkes.
- Isæt kun skærpede savklinger uden revner og deformationer.
- Savklinger med fejl skal omgående skiftes ud.
- Brug ikke savklinger, som ikke er i overensstemmelse med de mærkedata, som er nævnt i denne betjeningsvejledning.
- Kontroller, at alle anordninger, som dækker savklingen, fungerer fejlfrit.
- Sikkerhedsanordninger på saven må ikke

**DK**

- afmonteres eller sættes ud af kraft.
- Beskadede eller fejlbehæftede beskyttelsesanordninger skal omgående erstattes af nye.
  - Sav ikke i emner, som er for små til, at de kan holdes sikkert i hånden.
  - Belast ikke saven så meget, at den står helt stille.
  - Pres altid arbejdsemnet fast ind mod arbejdspladen.
  - Fjern ikke løse splinter, spån eller træstykker, som sidder i klemme, mens savklingen kører.
  - Sluk maskinen, inden forstyrrelser på det blokerede indsatsværktøj afhjælpes. -Træk stikket ud af stikkontakten- Opløs blokaden. Vigtigt! Fare for kvæstelse – pas på savklingen! Bær beskyttelseshandsker! Foretag en testkørsel uden arbejdsemne. Usædvanlig støj eller svingninger må ikke forekomme. I givet fald skal maskinen slukkes og producenten kontaktes.
  - Omstillinger samt indstillings-, måle- og rengøringsarbejde skal udføres med motoren slukket. - Træk stikket ud af stikkontakten –
  - Kontroller, inden du tænder, at nøgler og indstillingsværktøj er fjernet.
  - Sluk motoren, og træk stikket ud af stikkontakten, når du forlader arbejdsstedet.
  - Arbejde med el-installation, reparation og vedligeholdelse skal udføres af fagfolk.
  - Alle beskyttelses- og sikkerhedsanordninger skal genmonteres omgående efter udført reparation eller vedligeholdelse.
  - Producentens anvisninger vedrørende sikkerhed, arbejdsmåde og vedligeholdelse samt målene, som er angivet i de tekniske data, skal overholdes.
  - Relevante bestemmelser vedrørende ulykkesforebyggelse og øvrige almindeligt anerkendte sikkerhedstekniske regler skal overholdes.
  - Bemærk evt. informationsfoldere fra ulykkesforsikringsselskaber (VBG 7)).
  - Saven er udelukkende beregnet til indendørs installation.
  - Arbejdsemner, som er mindre end klingeværnet, kan forårsage kvæstelser af hænder og fingre. Brug egnede hjælpemidler!
  - Undgå forkrampede håndstillinger, når du fører arbejdsemnet, og stillinger, hvor hånden vil støde direkte ind i savklingen, hvis arbejdsemnet glider ud af hånden.
  - Isæt altid savklingen således, at tænderne peger nedad mod savbordet.
  - Indstil altid den rigtige klingspænding, så savklingerne ikke revner.
  - Savning i materiale med uregelmæssige skæreprofiler kræver særlig forsigtighed.
  - Savning i runde genstande, såsom stænger eller rør, kræver særlig forsigtighed. Sådanne genstande kan rulle ned foran savklingen, så tænderne sætter sig fast. For at undgå dette skal arbejdsemnet støttes af med en kile.
  - Når arbejdsemnet trækkes tilbage kan tænder sætte sig fast i snitfugen, især hvis fugen blokeres af savspån. I så tilfælde skal saven standses, netstikket trækkes ud, og snitfugen åbnes med en kile, så arbejdsemnet kan trækkes ud.
  - Forlad aldrig arbejdsstedet uden først at standse saven. Vent, indtil saven står helt stille.
  - Dele må ikke sættes, klæbes eller bygges sammen på arbejdsbordet, mens saven kører.
  - Vent med at tænde for saven, til materialerester og værktøj er blevet fjernet fra arbejdsbordet. Lad kun arbejdsemnet og eventuelle hjælpemidler (kiler) være på arbejdsbordet.
  - Brug altid beskyttelsesbriller.
  - Hold fingrene i sikker afstand af savklingen.
  - Før arbejdsemnet stabilt og sikkert, og hold det hele tiden fast.
  - Forlad aldrig arbejdsstedet uden først at standse saven.
  - Pas på ikke at miste koncentrationen, efter at du er begyndt at føle dig fortrolig med arbejdet. Et øjeblik uagtsomhed kan føre til svære kvæstelser inden for brøkdelen af et sekund.

**Opbevar sikkerhedsanvisningerne et sikkert sted.**

### 3. Oversigt over maskinen (fig. 1-15)

1. Udblæsningsanordning
2. Holder
3. Fingerskrue
4. Holder
5. Klingeværn
6. Savbord
7. Afdækning til venstre
8. Lejesteder
9. Spændeskruer
10. Radialarm
11. Gradskala
12. Låsearm
13. Støvsugningstilslutning
14. Tænd/Sluk-knap
15. Regulator for slagantal
16. Montagepunkter
17. Savklinge
18. Støvsugningsadapter
19. Adapter til løvsavklinger
20. Unbrakonøgle 2,5 mm
21. Unbrakonøgle 4 mm
22. Opbevaringsboks til savklinger
23. Spændeskive
24. Klingeholder foroven
25. Klingeholder forneden
26. Bordindlæg
27. Markør
28. Skrue

### 4. Pakkens indhold

- Åbn pakken, og tag forsigtigt maskinen ud af emballagen.
- Fjern emballagematerialet samt emballage- og transportsikringer (hvis sådanne forefindes).
- Kontroller, at der ikke mangler noget.
- Kontroller maskine og tilbehør for transportskader.
- Emballagen bør gemmes under garantiperioden.

### VIGTIGT

**Maskinen og emballagen er ikke legetøj!  
Børn må ikke lege med plastikposer, folier og smådele! Fare for indtagelse og kvælning!**

- Dekupørsav
- Klingeværn
- Fingerskrue (2x)
- Spændeskive Ø 6 mm (2x)
- Udblæsningsanordning
- Reserveklinge (10x) (til træ og kunststoffer)
- Adapter løvsavklinger (2x)
- Unbrakonøgle 2,5 mm
- Unbrakonøgle 4 mm
- Udsugningsadapter
- Original betjeningsvejledning

### 5. Formålsbestemt anvendelse

Dekupørsaven benyttes til savning i kantet træ eller træliggende materialer, såsom plexiglas, glasfiber, skumstof, gummi, læder og kork. Brug ikke saven til savning af rundt materiale. Rundt materiale kan let klinge. **Fare for kvæstelse! Dele kan slynges ud!**

Maskinen må kun anvendes i overensstemmelse med det tiltænkte formål. Enhver anden form for anvendelse er ikke tilladt. Vi fraskriver os ethvert ansvar for skader, det være sig på personer eller materiel, der måtte opstå som følge af, at maskinen ikke er blevet anvendt korrekt. Ansvar for bæres alene af brugeren/ejeren.

Bemærk, at vore maskiner ikke er konstrueret til erhvervs-mæssig, håndværksmæssig eller industriel brug. Vi fraskriver os ethvert ansvar, såfremt maskinen anvendes i erhvervs-mæssigt, håndværksmæssigt, industrielt eller lignende øjemed.

- Brug kun savklinger, som er beregnet til maskinen. Kapskiver, uanset type, må ikke anvendes.
- Med til korrekt brug af saven hører også, at alle sikkerheds-, monterings- og

**DK**

driftsanvisninger i betjeningsvejledningen overholdes.

- Personer, som betjener og vedligeholder saven, skal have et godt kendskab til saven og dens funktioner og være instrueret i de risici, der er forbundet med at omgås saven.
- Der henvises desuden til gældende sikkerhedsbestemmelser – disse skal følges.
- Det samme skal øvrige almindelige arbejdsmedicinske og sikkerhedstekniske bestemmelser.
- Foretages der ændringer på maskinen, vil garantien miste sin gyldighed.

#### Tilbageværende risici!

**Selv om du betjener el-værktøjet forskriftsmæssigt, vil der stadig være en vis risiko at tage højde for. Følgende farer kan opstå, alt efter el-værktøjets type og konstruktionsmåde:**

- Lungeskader, hvis du ikke bærer støvmaske.
- Høreskader, hvis du ikke bærer høreværn.
- Ulykkesfare ved håndberøring i værktøjets skærezone, hvor afskærmning ikke forefindes.
- Fare for kvæstelse ved skift af værktøj (snitsår).
- Klemning af fingre.
- Fare for tilbageslag.
- Arbejdsemnet vælter på grund af for lille støtteflade.
- Berøring af skæreværktøj.
- Udslyngning af dele fra grene og arbejdsemner.

## 6. Tekniske data

Netspænding:	230 V ~ 50Hz
Optagen effekt:	120 watt
Driftsart:	S2 5 min
Omdrejningstal, ubelastet $n_0$ :	400-1600 min <sup>-1</sup>
Beskyttelsesgrad:	IP 20
Slagbevægelse:	21 mm
Støtteflade:	410 x 245 mm
Bordkipping:	0° - 45° mod venstre
Bordstørrelse:	410 x 253 mm
Klingelængde:	134 mm
Udhæng:	406 mm
Snithøjde maks. ved 90°:	57 mm
Snithøjde maks. ved 45°:	32 mm
Vægt:	ca. 10,5 kg

#### Funktionstid:

Driftstid 5 min / Hviletid 5 min En funktionstid på S2 5 min (korttidsdrift) betyder, at motoren – med den nominelle effekt 120 watt – ikke må udsættes for vedvarende belastning i længere tid, end der står anført på datapladen (5 min.). Ellers vil den blive overophedet. Under driftspausen afkøles motoren til udgangstemperatur.

#### Støjemissionstal

#### Støj og vibration

Støj- og vibrationstal er beregnet i henhold til EN 61029.

#### Brug høreværn

Støjudviklingen fra maskinen kan føre til nedsat hørelse.

	Drift	Tomgang
Lydtryksniveau $L_{pA}$ :	82,6 dB	62,3 dB
Usikkerhed $K_{pA}$ :		3 dB
Lydeffektniveau $L_{WA}$ :	95,6 dB	75,3 dB
Usikkerhed $K_{WA}$ :		3 dB

De angivne værdier er rene emissionsværdier og udgør ikke nogen garanti for sikre værdier på arbejdspladsen. Selv om der er en forbindelse mellem emissions- og immissionsniveauer, kan det heraf ikke med sikkerhed afgøres, hvorvidt supplerende sikkerhedsforanstaltninger er nødvendige. Faktorer, som kan have indflydelse på det aktuelle immissionsniveau på arbejdspladsen, er: Påvirkningens varighed, arbejdsrummets egenskaber, andre støjkilder osv., f.eks. antallet af maskiner og øvrige arbejdsprocesser i nærheden. Endvidere kan de tilladte værdier på arbejdspladsen variere fra land til land. Ovenstående oplysninger kan dog være en hjælp til brugeren til at kunne foretage et kvalificeret skøn om eksisterende risici.

### Støjudvikling og vibration skal begrænses til et minimum!

- Brug kun intakte og ubeskadigede maskiner.
- Vedligehold og rengør maskinen med jævne mellemrum.
- Tilpas arbejdsmåden efter maskinen.
- Overbelast ikke maskinen.
- Lad i givet fald maskinen underkaste et eftersyn.
- Sluk maskinen, når den ikke er i brug.

## 7. Før ibrugtagning

### Vigtigt!

**Træk altid stikket ud af stikkontakten, inden du foretager indstillinger på maskinen.**

### 7.1 Generelt

- Alle afskærmninger og sikkerhedsanordninger skal være korrekt påmonterede, inden maskinen tages i brug.
- Savklingen skal kunne køre frit rundt.
- Hvis du arbejder med træ, som tidligere har været bearbejdet, skal du passe på fremmedlegemer, som f.eks. søm eller skruer.
- Inden du trykker på tænd/sluk-knappen, skal du sikre dig, at savklingen er monteret rigtigt og bevægelige dele går let og friktionsfrit.
- Inden maskinen sluttes til strømforsyningsnettet, skal du kontrollere, at dataene på mærkepladen svarer til netdataene.
- Maskinen må kun tilsluttes en forskriftsmæssig installeret jordkontakt med en sikring på mindst 10A.

### 7.2 Montering af deкупørsaven på en arbejdsbænk (fig. 3, 4)

Maskinen må kun monteres af en fagmand!

Til montage skal du bruge (følger ikke med):

- Sekskantskrue M8 (4x)
- Sekskantmøtrik M8 (8x)
- Mellemlægsskive Ø 8mm (4x)
- Planpakning Ø 8mm (4x)
- Gummiunderlag: 450x250x13mm

Længden på de skruer, der skal anvendes, varierer alt efter bordpladens tykkelse.

- Monter deкупørsaven på et massivt arbejdsbord af træ. Herved kan kraftig støjudvikling som følge af vibration undgås.
- Marker borehullerne. Brug her deкупørsaven som skabelon.
- Bor 4 huller Ø 9mm i arbejdsbordet og gummiunderlaget.
- Skru deкупørsaven fast til arbejdsbordet

**DK**

vha. montagepunkterne (fig. 3/12, pos. 16) i denne rækkefølge (fig. 4):

- A) Dekupørsav
- B) Gummiunderlag
- C) Arbejdsbord
- D) Planpakning
- E) Mellemlægsskive
- F) Sekskantmøtrik
- G) Sekskantmøtrik
- H) Sekskantskrue

- Spænd først sekskantmøtrikken (F) fast, herefter sikres den ved hjælp af endnu en sekskantmøtrik (G).

### 7.3 Samling

Vigtigt! Husk altid at trække stikket ud af stikkontakten, inden arbejde med vedligeholdelse og omstilling påbegyndes.

#### 7.3.1 Montering af klingeværn og spånudsug (fig. 6/7/8)

- Skub klingeværnet (5) på holderen (4).
- Skub fingerskruerne (3) gennem de ovale huller i klingeværnet (5), og skru dem fast.
- Med fingerskruerne kan klingeværnet fikseres i forskellige højder.
- Monter udblæsningsanordningen (1) som vist på figur 8.

#### 7.3.2 Udskiftning af savklinge (fig. 1/6/9/10/11/14)

##### Advarsel

**Undgå kvæstelse p.g.a. utilsigtet start: Inden savklingen tages ud eller skiftes, skal knappen stilles på position "0" og stikket trækkes ud af stikkontakten.**

- Drej spændeskruen (9) mod venstre for at løsne savklingen (17).
- Skru venstre afdækning (7) af: Åbn låget til opbevaringsboksen (22), og tag skruerne (C) ud (fig. 6). (Det er også muligt at skifte klingen uden at tage den venstre afdækning af, det kræver dog lidt behændighed).
- Tag først savklingen ud af den øverste klingeholder (24), idet du presser den øverste svingarm ned.

- Tag savklingen ud af den nederste klingeholder (25).
- Træk savklingen op og ud gennem bordindlægget (26).
- Sæt en ny savklinge i i omvendt rækkefølge.

**Vigtigt: Savklingen skal sættes i således, at tænderne peger nedad i retning mod savbordet.**

Savklingen kan sættes i spalte a (fig. 9,10) eller b (fig. 9,11):

##### Spalte a:

Til snit langs med radialarmen

##### Spalte b:

Til snit på tværs af radialarmen.

Spænd savklingen til ved at dreje spændeskruen (9) mod højre. Når spændeskruen bliver sværere at dreje, skal den drejes endnu ca. 3 hele omgange videre rundt, så den er godt spændt.

- Sæt venstre afdækning (7) på igen. (Såfremt den er blevet aftaget)

#### 7.3.3 Finindstilling af vinkelskala

Vigtigt: Vinkelskalaen er indstillet rigtigt fra fabrikken.

Indstil savbordet ved hjælp af en 90° vinkel, som du lægger ind til savbordet og savklingen (fig. 12). Løsn skruen (28), og drej markøren (27) til 90°-mærket.

For præcist arbejde gennemføres en saveprøve:

Test den indstillede vinkel, idet du udfører et prøvesnit, og kontrollerer det indstillede gradtal på arbejdsemnet med en vinkelmåler. Juster markøren (27) om nødvendigt.



## 8. Betjening

### 8.1 Anmærkning:

- Maskinen saver ikke træ af sig selv. Brugeren skal selv føre træet ind i savklingen.
- Tænderne saver kun i træet under den nedadgående bevægelse.
- Træet skal føres langsomt ind i savklingen, da tænderne på savklingen er meget små.
- Alle personer skal igennem en vis indlæringsperiode, inden de kan begynde at arbejde med saven. I denne indlæringsperiode vil man højst sandsynligt opleve, at klinger brækker over.
- Især ved savning af tykkere træstykker skal man passe på, at savklingen ikke bøjes eller vrides om.
- En forsigtig arbejdsmåde vil forlænge savklingens levetid.

### 8.2 Tænd/Sluk-knap (fig. 2/pos. 14)

- Tryk på "I"-knappen for at tænde.
- Tryk på "O"-knappen for at slukke.

**Vigtigt:** Saven er udstyret med en sikkerhedsafbryder, så den ikke genstarter af sig selv efter spændingsfald.

Hvis deкупørsaven er tændt, og strømtilførslen afbrydes, forbliver deкупørsaven slukket, når strømtilførslen er genetableret. For at tænde skal du trykke på „I“ igen.

### 8.3 Regulator for slagantal

Med regulator for slagantal (15) kan slagantallet indstilles efter materialets beskaffenhed. Skal der saves i blødt materiale, anbefaler vi høje omdrejningstal; lave omdrejningstal til hårdt materiale. Drejes regulatoren (15) til højre, øges omdrejningstallet.

### 8.4 Udførelse af indvendigt snit

En særlig egenskab ved denne deкупørsav er muligheden for at udføre snit indvendigt i en plade uden at beskadige pladens yderside eller omkreds.

Udførelse af indvendigt snit i en plade:

- Tag savklingen ud, som beskrevet i afsnit 7.3.2.
- Bor et hul i pladen.
- Læg pladen med hullet hen over tilgangsåbningen på savbordet.
- Monter savklingen gennem hullet i pladen, og indstil klingespændingen.
- Tag savklingen ud af klingeholderne, når arbejdet er færdigt (som beskrevet i afsnit 7.3.2), og fjern pladen fra bordet.

### 8.5 Udførelse af vinkelsnit

Drej bordet ved at løsne låsearmen (12) og vippe savbordet i den ønskede position (fig. 13). Spænd låsearmen.

### Vigtigt!

Vær særlig forsigtig ved udførelse af vinkelsnit. Savbordets hældning øger risikoen for, at materiale rutscher ned. **Fare for kvæstelse!**

### 8.6 Adapter til løvsavklinger (fig. 5/14)

- Tag savklingen ud som beskrevet under pkt. 7.3.2.
- Sæt løvsavklingen (17) ind i adapteren. Brug her unbrakonøgle 2,5 mm. Vigtigt: Løvsavklingen følger ikke med maskinen.
- Tag først bordindlægget (26) af.
- Sæt herefter de to adaptere (19) på de to savklingeholdere (24/25).
- Sæt savklingen i som beskrevet under pkt. 7.3.2.

**DK**

## 9. Udskiftning af netledning

Hvis maskinens netledning beskadiges, skal den skiftes ud af producenten eller dennes kundeservice eller af person med lignende kvalifikationer for at undgå fare for personskade.

## 10. Renholdelse, vedligeholdelse, opbevaring og reservedelsbestilling

### Vigtigt!

Træk stikket ud af stikkontakten inden renholdelse.

### 10.1 Renholdelse

- Hold så vidt muligt beskyttelsesanordninger, ventilationskanaler og motorhus fri for støv og snavs.
- Vi anbefaler, at maskinen rengøres hver gang efter brug.
- Åbn afdækningen til venstre (fig. 1/pos. 7), fjern grove urenheder (savspån, støv) med en håndkost.
- Tør maskinen af med en ren klud, eller foretag tryklufudsudblæsning under lavt tryk.
- Rengør af og til maskinen med en fugtig klud og lidt blød sæbe. Undgå brug af rengørings- og opløsningsmidler, da det vil kunne beskadige kunststofdelene. Sørg for, at der ikke kan trænge vand ind i de indvendige dele.

### 10.2 Vedligeholdelse

Der findes ikke yderligere vedligeholdelseskrevende dele inde i maskinen.

#### 10.2.1 Lejer (fig. 1/pos. 8)

Smør lejestederne på venderullerne med jævne mellemrum med en maskinsmørelse af god kvalitet, dog senest efter ca. 25-30 driftstimer.

### 10.2.2 Kontaktkul

Ved for megen gnistdannelse skal kontaktkullet efterses af en fagmand. Vigtigt! Udskiftning af kontaktkul skal foretages af en fagmand.

### 10.3 Opbevaring

Maskinen og dens tilbehør skal opbevares på et mørkt, tørt og frostfrit sted uden for børns rækkevidde. Den optimale lagertemperatur ligger mellem 5 og 30°C. Opbevar maskinen i den originale emballage.

### 10.4 Reservedelsbestilling:

Ved bestilling af reservedele skal følgende oplyses:

- Maskinens typebetegnelse
- Maskinens varenummer
- Maskinens identifikationsnummer

Aktuelle priser og øvrig information findes på internetadressen [www.isc-gmbh.info](http://www.isc-gmbh.info)

## 11. Bortskaffelse og genanvendelse

Maskinen leveres indpakket for at undgå transportskader. Emballagen består af råmaterialer og kan genanvendes eller indleveres på genbrugsstation. Maskinen og dens tilbehør består af forskelligartede materialer, f.eks. metal og plast. Defekte komponenter må ikke smides ud som almindeligt husholdningsaffald, men skal kasseres ifølge miljøforskrifterne. Hvis du er i tvivl: Spørg din forhandler, eller forhør dig hos din kommune!



Kun i EU-lande

Smid ikke el-værktøj ud som almindeligt husholdningsaffald!

I medfør af Rådets direktiv 2002/96/EF om affald af elektrisk og elektronisk udstyr og dets omsættelse i den nationale lovgivning skal brugt el-værktøj indsamles separat og indleveres til videreanvendende formål på miljømæssig forsvarlig vis.

Recycling-alternativ til tilbagesendelse:

Ejeren af el-værktøjet er – med mindre denne tilbagesender maskinen – forpligtet til at bortskaffe maskinen og dens dele ifølge miljøforskrifterne. Den brugte maskine kan indleveres på genbrugsstation – spørg evt. personalet her, eller forhør dig hos din kommune. Tilbehør og hjælpemidler, som følger med maskinen, og som ikke indeholder elektriske dele, er ikke omfattet af ovenstående.

DK

## 12. Overensstemmelseserklæring

Einhell Germany AG · Wiesenweg 22 · D-94405 Landau/Isar



## Konformitätserklärung

- erklært følgende Konformität gemäß EU-Richtlinie und Normen für Artikel  
 explains the following conformity according to EU directives and norms for the following product  
 déclare la conformité suivante selon la directive CE et les normes concernant l'article  
 dichiara la seguente conformità secondo la direttiva UE e le norme per l'articolo  
 verklaart de volgende overeenstemming conform EU richtlijn en normen voor het product  
 declara la siguiente conformidad a tenor de la directiva y normas de la UE para el artículo  
 declara a seguinte conformidade, de acordo com a directiva CE e normas para o artigo  
 attesterer følgende overensstemmelse i medfør af EU-direktiv samt standarder for artikel  
 förklarar följande överensstämmelse enl. EU-direktiv och standarder för artikeln  
 vakuuttaa, että tuote täyttää EU-direktiivin ja standardien vaatimukset  
 töendab toote vastavust EL direktiivile ja standarditele  
 vydává následující prohlášení o shodě podle směrnice EU a norem pro výrobek  
 potrjuje sledečo skladnost s smernico EU in standardi za izdelek  
 vydáva nasledujúce prehlásenie o zhode podľa smernice EÚ a noriem pre výrobok  
 a cikkekhez az EU-irányvonal és Normák szerint a következő konformitást jelenti ki  
 deklaruje zgodność wymienionego poniżej artykułu z następującymi normami na podstawie dyrektywy WE.  
 декларира съответното съответствие съгласно Директива на ЕС и норми за артикул  
 paskaidro šādu atbilstību ES direktīvai un standartiem  
 apibūdina šj atitikimą EU reikalavimams ir prekės normoms  
 declară următoarea conformitate conform directivei UE și normelor pentru articolul  
 δηλώνει την ακόλουθη συμμόρφωση σύμφωνα με την Οδηγία ΕΚ και τα πρότυπα για το προϊόν  
 potvrđuje sljedeću usklađenost prema smjernicama EU i normama za artikl  
 potvrđuje sljedeću usklađenost prema smjernicama EU i normama za artikl  
 potvrđuje sledeću usklađenost prema smernicama EZ i normama za artikal  
 следующим удостоверяется, что следующие продукты соответствуют директивам и нормам ЕС  
 проголошує про зазначену нижче відповідність виробу директивам та стандартам ЄС на виріб  
 ja izjavува следната сообрзност согласно EУ-директивата и нормите за артикли  
 Ürünü ile ilgili AB direktifleri ve normları gereğince aşağıda açıklanan uygunluğu belirtir  
 erklærer følgende samsvar i henhold til EU-direktivet og standarder for artikkel  
 Lýsir uppfyllingu EU-reglna og annarra staða vöru

## Dekupiersäge PDKS 120 A1 (Parkside)

- 2009/105/EC  
 2006/95/EC  
 2006/28/EC  
 2005/32/EC  
 2004/108/EC  
 2004/22/EC  
 1999/5/EC  
 97/23/EC  
 90/396/EC  
 89/686/EC\_96/58/EC
- 2006/42/EC  
 Annex IV  
 Notified Body:  
 Notified Body No.:  
 Reg. No.:
- 2000/14/EC\_2005/88/EC  
 Annex V  
 Annex VI  
 Noise: measured  $L_{WA}$  = dB (A); guaranteed  $L_{WA}$  = dB (A)  
 P = KW; L $\varnothing$  = cm  
 Notified Body:
- 2004/26/EC  
 Emission No.:

Standard references: EN 61029-1; EN 55014-1; EN 61000-3-2; EN 61000-3-3; EN 55014-2

Landau/Isar, den 12.07.2010

  
Weichselgartner/General Manager


  
Wentao/Product-Management

First CE: 10  
 Art.-No.: 43.090.23 I.-No.: 11010  
 Subject to change without notice

Archive-File/Record: 4309020-11-4177400-10  
 Documents registrar: Siegfried Roider  
 Wiesenweg 22, D-94405 Landau/Isar

# 13. GARANTIBEVIS

## Kære kunde!

Vore produkter er underlagt streng kvalitetskontrol. Hvis produktet alligevel på et tidspunkt skulle udvise fejl, beklager vi naturligvis dette og beder dig kontakte vores kundeservice på adressen, som står angivet på dette garantibevis. Du kan naturligvis også ringe til os på det nedenfor angivne servicenummer. For indfrielse af garantikrav gælder følgende:

1. Nærværende garanti fastsætter betingelserne for udvidede garantiydelser. Garantibestemmelser fastsat ved lov berøres ikke af nærværende garanti. Vores garantiydelse er gratis.
2. Garantiydelserne omfatter udelukkende mangler, som kan føres tilbage til materiale- eller produktionsfejl, og begrænser sig til afhjælpning af disse resp. levering af erstatningsprodukt. Bemærk, at vore produkter ikke er konstrueret til erhvervmæssig, håndværksmæssig eller industriel brug. Garantiaftale kan derfor ikke anses for indgået, såfremt produktet anvendes i erhvervmæssigt, håndværksmæssigt, industrielt eller lignende øjemed. Endvidere dækker garantien ikke erstatningsydelser for transportskader, skader som følge af tilsidesættelse af montagevejledningens anvisninger eller som følge af usagkyndig installation, tilsidesættelse af brugsanvisningen (f.eks. tilslutning til forkert netspænding eller strømtype), misbrug eller usagkyndig anvendelse (f.eks. overbelastning eller brug af værktøj eller tilbehør, som ikke er godkendt), tilsidesættelse af vedligeholdelses- og sikkerhedsforskrifter, indtrængen af fremmedlegemer i apparatet (f.eks. sand, sten eller støv), brug af vold eller eksterne påvirkninger udefra (f.eks. fordi produktet tabes) samt skader, der hidrører fra almindelig slitage. Dette gælder især batterier, som vi dog alligevel yder 12 måneders garanti på

Garantien mister sin gyldighed, hvis der allerede er blevet foretaget indgreb i apparatet.

3. Garantiperioden udgør 3 år at regne fra købsdatoen. Garantikrav skal gøres gældende inden for to uger, efter at defekten er blevet konstateret. Garantikrav kan ikke gøres gældende efter garantiperiodens udløb. Reparation eller udskiftning af apparatet medfører ikke forlængelse af garantiperioden, heller ikke for eventuelt indbyggede reservedele. Dette gælder også servicearbejder, der foretages på stedet.
4. For at kunne gøre garantikrav gældende skal du sende det defekte produkt portofrit til nedenstående adresse. Original købskvittering eller lignende dateret dokumentation skal vedsendes. Købskvitteringen skal gemmes som dokumentation! Beskriv venligst så nøjagtigt som muligt grunden til din reklamation. Er defekten omfattet af garantien, vil produktet omgående blive repareret og returneret, eller du vil modtage et helt nyt.

Mod betaling udbedrer vi naturligvis også gerne defekter på produktet, som ikke/ikke længere er omfattet af garantien. Du skal blot indsende produktet til vores serviceadresse.

**Einhell Skandinavien**  
Bergsoesvej 36  
DK-8600 Silkeborg  
Tel. 087 201200 · Fax 087 201203

DE/AT/  
CH

## Inhaltsverzeichnis

## Seite

1. Einleitung .....	64
2. Sicherheitshinweise .....	64-67
3. Gerätebeschreibung .....	67
4. Lieferumfang .....	68
5. Bestimmungsgemäße Verwendung .....	68-69
6. Technische Daten .....	69
7. Vor Inbetriebnahme.....	70-71
8. Bedienung.....	71-72
9. Austausch der Netzanschlussleitung .....	72
10. Reinigung, Wartung, Lagerung und Ersatzteilbestellung.....	72-73
11. Entsorgung und Wiederverwertung.....	73
12. Konformitätserklärung.....	74
13. Garantieurkunde .....	75

Der Nachdruck oder sonstige Vervielfältigung von Dokumentation und Begleitpapieren der Produkte, auch auszugsweise ist nur mit ausdrücklicher Zustimmung der ISC GmbH zulässig.

Technische Änderungen vorbehalten

## Zusätzliche Sicherheitshinweise



“WARNUNG - Zur Verringerung des Verletzungsrisikos Bedienungsanleitung lesen”



**Tragen Sie einen Gehörschutz.**

Die Einwirkung von Lärm kann Hörverlust bewirken.



**Tragen Sie eine Staubschutzmaske.**

Beim Bearbeiten von Holz und anderer Materialien kann gesundheitsschädlicher Staub entstehen. Asbesthaltiges Material darf nicht bearbeitet werden!



**Tragen Sie eine Schutzbrille.**

Während der Arbeit entstehende Funken oder aus dem Gerät heraustretende Splitter, Späne und Stäube können Sichtverlust bewirken.



**Achtung! Verletzungsgefahr!**

Nicht in das laufende Sägeblatt greifen!

DE/AT/  
CH

## 1. Einleitung

### ⚠ Achtung!

Beim Benutzen von Geräten müssen einige Sicherheitsvorkehrungen eingehalten werden, um Verletzungen und Schäden zu verhindern. Lesen Sie diese Bedienungsanleitung / Sicherheitshinweise deshalb sorgfältig durch. Bewahren Sie diese gut auf, damit Ihnen die Informationen jederzeit zur Verfügung stehen. Falls Sie das Gerät an andere Personen übergeben sollten, händigen Sie diese Bedienungsanleitung / Sicherheitshinweise bitte mit aus. Wir übernehmen keine Haftung für Unfälle oder Schäden, die durch Nichtbeachten dieser Anleitung und den Sicherheitshinweisen entstehen.

## 2. Sicherheitshinweise

### ⚠ WARNUNG

**Lesen Sie alle Sicherheitshinweise und Anweisungen.** Versäumnisse bei der Einhaltung der Sicherheitshinweise und Anweisungen können elektrischen Schlag, Brand und/oder schwere Verletzungen zur Folge haben.

**Bewahren Sie alle Sicherheitshinweise und Anweisungen für die Zukunft auf.**

### 2.1 Allgemeine Sicherheitshinweise zu Elektrogeräten

**Achtung! Beim Gebrauch von Elektrowerkzeugen sind zum Schutz gegen elektrischen Schlag, Verletzungs- und Brandgefahr folgende Sicherheitsmaßnahmen zu beachten. Lesen und beachten Sie diese Hinweise, bevor Sie das Gerät benutzen.**

#### 1. Halten Sie Ihren Arbeitsbereich in Ordnung

Unordnung im Arbeitsbereich ergibt Unfallgefahr.

#### 2. Berücksichtigen Sie Umgebungseinflüsse

Setzen Sie Elektrowerkzeuge nicht dem

Regen aus. Benutzen Sie Elektrowerkzeuge nicht in feuchter oder nasser Umgebung. Sorgen Sie für gute Beleuchtung. Benutzen Sie Elektrowerkzeuge nicht in der Nähe von brennbaren Flüssigkeiten oder Gasen.

#### 3. Schützen Sie sich vor elektrischem Schlag

Vermeiden Sie Körperberührung mit geerdeten Teilen, zum Beispiel Rohren, Heizkörpern, Herden, Kühlschränken.

#### 4. Halten Sie Kinder fern!

Lassen Sie andere Personen nicht das Werkzeug oder Kabel berühren, halten Sie sie von Ihrem Arbeitsbereich fern.

#### 5. Bewahren Sie Ihre Werkzeuge sicher auf

Unbenutzte Werkzeuge müssen in einem trockenen, verschlossenen Raum und für Kinder nicht erreichbar aufbewahrt werden.

#### 6. Überlasten Sie Ihre Werkzeuge nicht

Sie arbeiten besser und sicherer im angegebenen Leistungsbereich.

#### 7. Benutzen Sie das richtige Werkzeug

Verwenden Sie keine zu schwachen Werkzeuge oder Vorsatzgeräte für schwere Arbeiten.

Benutzen Sie Werkzeuge nicht für Zwecke und Arbeiten, für die sie nicht bestimmt sind; zum Beispiel benutzen Sie keine Handkreissäge, um Bäume zu fällen oder Äste zu schneiden.

#### 8. Tragen Sie geeignete Arbeitskleidung

Tragen Sie keine weite Kleidung oder Schmuck. Sie können von beweglichen Teilen erfasst werden. Bei Arbeiten im Freien sind Gummihandschuhe und rutschfestes Schuhwerk empfehlenswert. Tragen Sie bei langen Haaren ein Haarnetz.

#### 9. Benutzen Sie eine Schutzausrüstung

Tragen Sie eine Schutzbrille. Verwenden Sie eine Atemmaske bei stauberzeugenden Arbeiten.

#### 10. Zweckentfremden Sie nicht das Kabel

Tragen Sie das Werkzeug nicht am Kabel, und benutzen Sie es nicht, um den Stecker aus der Steckdose zu ziehen. Schützen Sie das Kabel vor Hitze, Öl und scharfen Kanten.

#### 11. Sichern Sie das Werkstück

Benutzen Sie Spannvorrichtungen oder einen Schraubstock, um das Werkstück



festzuhalten. Es ist damit sicherer gehalten als mit Ihrer Hand und ermöglicht die Bedienung der Maschine mit beiden Händen.

#### 12. **Überdehnen Sie Ihren Standbereich nicht**

Vermeiden Sie abnormale Körperhaltung. Sorgen Sie für sicheren Stand, und halten Sie jederzeit das Gleichgewicht.

#### 13. **Pflegen Sie Ihre Werkzeuge mit Sorgfalt**

Halten Sie Ihre Werkzeuge scharf und sauber, um gut und sicher zu arbeiten. Befolgen Sie die Wartungsvorschriften und die Hinweise für Werkzeugwechsel. Kontrollieren Sie regelmäßig den Stecker und das Kabel, und lassen Sie diese bei Beschädigung von einem anerkannten Fachmann erneuern. Kontrollieren Sie Verlängerungskabel regelmäßig und ersetzen Sie beschädigte. Halten Sie Handgriffe trocken und frei von Öl und Fett.

#### 14. **Ziehen Sie den Netzstecker**

Bei Nichtgebrauch, vor der Wartung und beim Werkzeugwechsel, wie zum Beispiel Sägeblatt, Bohrer und Maschinenwerkzeugen aller Art.

#### 15. **Lassen Sie keine Werkzeugschlüssel stecken**

Überprüfen Sie vor dem Einschalten, dass die Schlüssel und Einstellwerkzeuge entfernt sind.

#### 16. **Vermeiden Sie unbeabsichtigten Anlauf**

Tragen Sie keine an das Stromnetz angeschlossenen Werkzeuge mit dem Finger am Schalter. Vergewissern Sie sich, dass der Schalter beim Anschluss an das Stromnetz ausgeschaltet ist.

#### 17. **Verlängerungskabel im Freien**

Verwenden Sie im Freien nur dafür zugelassene und entsprechend gekennzeichnete Verlängerungskabel.

#### 18. **Seien Sie stets aufmerksam**

Beobachten Sie Ihre Arbeit. Gehen Sie vernünftig vor. Verwenden Sie das Werkzeug nicht, wenn Sie unkonzentriert sind.

#### 19. **Kontrollieren Sie Ihr Gerät auf Beschädigungen**

Vor weiterem Gebrauch des Werkzeugs die Schutzeinrichtungen oder leicht beschädigte Teile sorgfältig auf ihre einwandfreie und

bestimmungsgemäße Funktion überprüfen. Überprüfen Sie, ob die Funktion beweglicher Teile in Ordnung ist, ob sie nicht klemmen oder ob Teile beschädigt sind. Sämtliche Teile müssen richtig montiert sein um die Sicherheit des Gerätes zu gewährleisten.

Beschädigte Schutzvorrichtungen und Teile müssen sachgemäß durch eine Kundendienstwerkstatt repariert oder ausgewechselt werden, soweit nichts anderes in den Betriebsanleitungen angegeben ist. Beschädigte Schalter müssen bei einer Kundendienstwerkstatt ersetzt werden. Benutzen Sie keine Werkzeuge, bei denen sich der Schalter nicht ein- und ausschalten lässt.

#### 20. **Achtung!**

Zu Ihrer eigenen Sicherheit, benutzen Sie nur Zubehör und Zusatzgeräte, die in der Bedienungsanleitung angegeben oder vom Werkzeug-Hersteller empfohlen oder angegeben werden. Der Gebrauch anderer als der in der Bedienungsanleitung oder im Katalog empfohlenen Einsatzwerkzeuge oder Zubehöre kann eine persönliche Verletzungsgefahr für Sie bedeuten.

#### 21. **Reparaturen nur vom Elektrofachmann**

Dieses Elektrowerkzeug entspricht den einschlägigen Sicherheitsbestimmungen. Reparaturen dürfen nur von einer Elektrofachkraft ausgeführt werden, andernfalls können Unfälle für den Betreiber entstehen.

#### 22. **Schließen Sie die Staubabsaug-Einrichtung an**

Wenn Vorrichtungen zum Anschluss von Staubabsaug-Einrichtungen vorhanden sind, überzeugen Sie sich, dass diese angeschlossen und benutzt werden.

#### **Spezielle Sicherheitshinweise**

- In einem Notfall die Maschine direkt ausschalten und den Netzstecker ziehen.
- Beachten Sie alle diese Hinweise, vor und während Sie mit der Säge arbeiten.
- Verwenden Sie die Säge nicht zum Brennholzsägen.
- Unterlassen Sie das Quersägen von Rund-

DE/AT/  
CH

- hölzern ohne geeignete Haltevorrichtung.
- Die Maschine ist mit einem Sicherheitsschalter gegen Wiedereinschalten nach Spannungsabfall ausgerüstet.
  - Ist ein Verlängerungskabel erforderlich, so vergewissern Sie sich, dass dessen Querschnitt für die Stromaufnahme der Säge ausreichend ist. Mindestquerschnitt 1 mm<sup>2</sup>.
  - Kabeltrommel nur im abgerollten Zustand verwenden.
  - An der Maschine tätige Personen dürfen nicht abgelenkt werden.
  - Die Sägeblätter dürfen in keinem Fall nach dem Ausschalten des Antriebs durch seitliches Gegendrücken gebremst werden.
  - Bauen Sie nur gut geschärfte, rißfreie und nicht verformte Sägeblätter ein.
  - Fehlerhafte Sägeblätter müssen sofort ausgetauscht werden.
  - Benützen Sie keine Sägeblätter, die den in dieser Gebrauchsanweisung angegebenen Kenndaten nicht entsprechen.
  - Es ist sicherzustellen, dass alle Einrichtungen, die das Sägeblatt verdecken, einwandfrei arbeiten.
  - Sicherheitseinrichtungen an der Maschine dürfen nicht demontiert oder unbrauchbar gemacht werden.
  - Beschädigte oder fehlerhafte Schutzeinrichtungen sind unverzüglich auszutauschen.
  - Schneiden Sie keine Werkstücke, die zu klein sind, um sie sicher in der Hand zu halten.
  - Die Maschine nicht soweit belasten, dass sie zum Stillstand kommt.
  - Drücken Sie das Werkstück immer fest gegen die Arbeitsplatte.
  - Entfernen Sie nie lose Splitter, Späne oder eingeklemmte Holzteile bei laufendem Sägeblatt.
  - Zum Beheben von Störungen am blockierten Einsatzwerkzeug die Maschine ausschalten. -Netzstecker ziehen- Entfernen Sie die Blockade. „Achtung! Verletzungsgefahr Sägeblatt! Tragen Sie Schutzhandschuhe! Führen Sie einen Probelauf ohne Werkstück durch. Achten Sie darauf, dass keine ungewöhnlichen Geräusche oder Schwingungen auftreten. Ist dies der Fall, schalten Sie das Gerät aus und wenden sich an den Hersteller.
  - Umrüstungen, sowie Einstell-, Meß- und Reinigungsarbeiten nur bei abgeschaltetem Motor durchführen. - Netzstecker ziehen -
  - Überprüfen Sie vor dem Einschalten, dass die Schlüssel und Einstellwerkzeuge entfernt sind.
  - Beim Verlassen des Arbeitsplatzes den Motor ausschalten und Netzstecker ziehen.
  - Elektroinstallationen, Reparaturen und Wartungsarbeiten dürfen nur von Fachleuten ausgeführt werden.
  - Sämtliche Schutz- und Sicherheitseinrichtungen müssen nach abgeschlossener Reparatur oder Wartung sofort wieder montiert werden.
  - Die Sicherheits-, Arbeits-, und Wartungshinweise des Herstellers, sowie die in den Technischen Daten angegebenen Abmessungen, müssen eingehalten werden.
  - Die einschlägigen Unfallverhütungsvorschriften und die sonstigen, allgemein anerkannten sicherheitstechnischen Regeln müssen beachtet werden.
  - Merkhefte der Berufsgenossenschaft beachten (VBG 7j).
  - Die Säge ist nur zur Aufstellung in Innenräumen gedacht.
  - Werkstücke, die kleiner als der Sägeblattschutz sind, können zu Verletzungen an Händen und Fingern führen. Geeignete Hilfsmittel verwenden!
  - Vermeiden Sie verkrampfte Handpositionen beim Führen des Werkstücks und Positionen, in denen ein Ausrutschen die Hand direkt ins Sägeblatt führen würde.
  - Legen Sie das Sägeblatt immer so ein, dass die Zähne nach unten zum Säge Tisch hinweisen.
  - Stellen Sie immer die korrekte Blattspannung ein, um ein Reißen der Sägeblätter zu vermeiden.
  - Gehen Sie besonders vorsichtig beim Schneiden von Material mit unregelmäßigen Schnittprofilen vor.

- Lassen Sie besondere Vorsicht walten beim Schneiden von runden Körpern, wie Stangen oder Rohren. Diese können vor dem Sägeblatt abrollen und zum Verhaken der Zähne führen. Stützen Sie derartige Werkstücke mit einem Keil ab.
- Beim Zurückziehen des Werkstücks können sich Zähne in der Schnittfuge verhaken, besonders wenn die Sägespäne die Fuge blockieren. In diesem Fall sollten Sie die Säge abstellen, den Netzstecker ziehen, mit einem Keil die Schnittfuge öffnen und das Werkstück abziehen.
- Verlassen Sie den Arbeitsplatz niemals, ohne die Säge vorher abzustellen. Warten Sie, bis die Säge zum Stillstand gekommen ist.
- Setzen, kleben oder bauen Sie keine Teile am Arbeitstisch zusammen, während die Säge läuft.
- Säge erst nach Freimachen des Arbeitstisches von Materialresten und Werkzeugen einschalten. Lassen Sie nur das zu bearbeitende Werkstück und etwaige Arbeitshilfen (Keile) auf dem Werkstisch.
- Tragen Sie immer eine Schutzbrille.
- Halten Sie die Finger in einem sicheren Abstand vom Sägeblatt.
- Führen Sie das Werkstück sicher und fest und lassen Sie es zu keinem Zeitpunkt locker.
- Verlassen Sie den Arbeitsplatz niemals, ohne vorher die Säge abzustellen.
- Lassen Sie sich von Ihrer Vertrautheit mit der Säge nicht zu Unachtsamkeit verleiten. Durch Unachtsamkeit kann es bereits innerhalb von Sekundenbruchteilen zu schweren Verletzungen kommen.

### 3. Gerätebeschreibung (Abb. 1-15)

1. Abblasvorrichtung
2. Halterung
3. Rändelschraube
4. Halter
5. Sägeblattschutz
6. Säge Tisch
7. Abdeckung links
8. Lagerstellen
9. Spannschraube
10. Ausleger
11. Gradskala
12. Feststellhebel
13. Staubabsauganschluss
14. Ein/Ausschalter
15. Hubzahlregler
16. Montagepunkte
17. Sägeblatt
18. Staubabsaugadapter
19. Adapter für Laubsägeblätter
20. Inbusschlüssel 2,5 mm
21. Inbusschlüssel 4 mm
22. Aufbewahrungsbox für Sägeblätter
23. Unterlegscheiben
24. Sägeblatthalter oben
25. Sägeblatthalterung unten
26. Tischeinlage
27. Zeiger
28. Schraube

**Bewahren Sie die Sicherheitshinweise gut auf.**

DE/AT/  
CH

## 4. Lieferumfang

- Öffnen Sie die Verpackung und nehmen Sie das Gerät vorsichtig aus der Verpackung.
- Entfernen Sie das Verpackungsmaterial sowie Verpackungs- und Transportsicherungen (falls vorhanden).
- Überprüfen Sie, ob der Lieferumfang vollständig ist.
- Kontrollieren Sie das Gerät und die Zubehörteile auf Transportschäden.
- Bewahren Sie die Verpackung nach Möglichkeit bis zum Ablauf der Garantiezeit auf.

### ACHTUNG

**Gerät und Verpackungsmaterial sind kein Kinderspielzeug! Kinder dürfen nicht mit Kunststoffbeutel, Folien und Kleinteilen spielen! Es besteht Verschluckungs- und Erstickungsgefahr!**

- Dekupiersäge
- Sägeblattschutz
- Rändelschraube (2x)
- Beilagscheibe Ø 6 mm (2x)
- Abblasvorrichtung
- Ersatzsägeblatt (10x) (für Holz und Kunststoffe)
- Adapter Laubsägeblatt (2x)
- Inbusschlüssel 2,5 mm
- Inbusschlüssel 4 mm
- Absaugadapter
- Originalbetriebsanleitung

## 5. Bestimmungsgemäße Verwendung

Die Dekupiersäge dient zum Schneiden von kantigen Hölzern oder holzähnlichen Werkstoffen wie z.B. Plexiglas, GFK, Schaumstoff, Gummi, Leder und Kork. Verwenden Sie die Säge nicht zum Schneiden von Rundmaterial. Rundmaterial kann leicht verkanten. **Verletzungsgefahr! Teile können herausgeschleudert werden!**

Das Gerät darf nur nach seiner Bestimmung verwendet werden. Jede weitere darüber hinausgehende Verwendung ist nicht bestimmungsgemäß. Für daraus hervorgerufene Schäden oder Verletzungen aller Art haftet der Benutzer/Bediener und nicht der Hersteller.

Bitte beachten Sie, dass unsere Geräte bestimmungsgemäß nicht für den gewerblichen, handwerklichen oder industriellen Einsatz konstruiert wurden. Wir übernehmen keine Gewährleistung, wenn das Gerät in Gewerbe-, Handwerks- oder Industriebetrieben sowie bei gleichzusetzenden Tätigkeiten eingesetzt wird.

- Es dürfen nur für die Maschine geeignete Sägeblätter verwendet werden.
- Bestandteil der bestimmungsgemäßen Verwendung ist auch die Beachtung der Sicherheitshinweise, sowie die Montageanleitung und Betriebshinweise in der Bedienungsanleitung.
- Personen, die die Maschine bedienen und warten, müssen mit dieser vertraut und über mögliche Gefahren unterrichtet sein.
- Darüber hinaus sind die geltenden Unfallverhütungsvorschriften genauestens einzuhalten.
- Sonstige allgemeine Regeln in arbeitsmedizinischen und sicherheitstechnischen Bereichen sind zu beachten.
- Veränderungen an der Maschine schließen eine Haftung des Herstellers und daraus entstehende Schäden gänzlich aus.

### Restrisiken!

**Auch wenn Sie dieses Elektrowerkzeug vorschriftsmäßig bedienen, bleiben immer Restrisiken bestehen. Folgende Gefahren können im Zusammenhang mit der Bauweise und Ausführung dieses Elektrowerkzeuges auftreten:**

- Lungenschäden, falls keine geeignete Staubschutzmaske getragen wird.
- Gehörschäden, falls kein geeigneter Gehörschutz getragen wird.

- Unfallgefahr durch Handkontakt in nicht abgedecktem Schneidbereich des Werkzeuges.
- Verletzungsgefahr beim Werkzeugwechsel (Schnittgefahr).
- Quetschen der Finger.
- Gefährdung durch Rückschlag.
- Kippen des Werkstückes aufgrund einer unzureichenden Werkstückauflagefläche.
- Berühren des Schneidwerkzeuges.
- Herausschleudern von Astteilen und Werkstückteilen.

## 6. Technische Daten

Netzspannung:	230 V ~ 50Hz
Leistungsaufnahme:	120 Watt
Betriebsart:	S2 5 min
Leerlaufdrehzahl $n_0$ :	400-1600 min <sup>-1</sup>
Schutzart:	IP 20
Hubbewegung:	21 mm
Standfläche:	410 x 245 mm
Tisch schwenkbar:	0° bis 45° nach links
Tischgröße:	410 x 253 mm
Sägeblattlänge:	134 mm
Ausladung:	406 mm
Schnitthöhe max. bei 90°:	57 mm
Schnitthöhe max. bei 45°:	32 mm
Gewicht:	ca. 10,5 kg

### Einschaltdauer:

Bemessungsbetriebsdauer 5 min /  
Bemessungsruhedauer 5 min  
Die Einschaltdauer S2 5 min (Kurzzeitbetrieb) sagt aus, dass der Motor mit der Nennleistung 120 Watt nur für die auf dem Datenschild angegebene Zeit (5 min) dauernd belastet werden darf. Andernfalls würde er sich unzulässig erwärmen. Während der Pause kühlt sich der Motor wieder auf seine Ausgangstemperatur ab.

## Geräuschemissionswerte

### Geräusch und Vibration

Die Geräusch- und Vibrationswerte wurden entsprechend EN 61029 ermittelt.

### Tragen Sie einen Gehörschutz.

Die Einwirkung von Lärm kann Gehörverlust bewirken.

	Betrieb	Leerlauf
Schalldruckpegel $L_{pA}$ :	82,6 dB	62,3 dB
Unsicherheit $K_{pA}$ :		3 dB
Schalleistungspegel $L_{WA}$ :	95,6 dB	75,3 dB
Unsicherheit $K_{WA}$ :		3 dB

Die angegebenen Werte sind Emissionswerte und müssen damit nicht zugleich auch sichere Arbeitsplatzwerte darstellen. Obwohl es eine Korrelation zwischen Emissions- und Immissionspegeln gibt, kann daraus nicht zuverlässig abgeleitet werden, ob zusätzliche Vorsichtsmaßnahmen notwendig sind oder nicht. Faktoren, welche den derzeitigen am Arbeitsplatz vorhandenen Immissionspegel beeinflussen können, beinhalten die Dauer der Einwirkungen, die Eigenart des Arbeitsraumes, andere Geräuschquellen usw., z.B. die Anzahl der Maschinen und von anderen benachbarten Vorgängen. Die zuverlässigen Arbeitsplatzwerte können ebenso von Land zu Land variieren. Diese Information soll jedoch den Anwender befähigen, eine bessere Abschätzung von Gefährdung und Risiko vorzunehmen.

### Beschränken Sie die Geräuscentwicklung und Vibration auf ein Minimum!

- Verwenden Sie nur einwandfreie Geräte.
- Warten und reinigen Sie das Gerät regelmäßig.
- Passen Sie Ihre Arbeitsweise dem Gerät an.
- Überlasten Sie das Gerät nicht.
- Lassen Sie das Gerät gegebenenfalls überprüfen.
- Schalten Sie das Gerät aus, wenn es nicht benutzt wird.

DE/AT/  
CH

## 7. Vor Inbetriebnahme

### Achtung!

**Ziehen Sie immer den Netzstecker, bevor Sie Einstellungen am Gerät vornehmen.**

#### 7.1 Allgemein

- Vor Inbetriebnahme müssen alle Abdeckungen und Sicherheitsvorrichtungen ordnungsgemäß montiert sein.
- Das Sägeblatt muss frei laufen können.
- Bei bereits bearbeitetem Holz auf Fremdkörper wie z.B. Nägel oder Schrauben usw. achten.
- Bevor Sie den Ein-/Ausshalter betätigen, vergewissern Sie sich, ob das Sägeblatt richtig montiert ist und bewegliche Teile leichtgängig sind.
- Überzeugen Sie sich vor dem Anschließen der Maschine, dass die Daten auf dem Typenschild mit den Netzdaten übereinstimmen.
- Schließen Sie die Maschine nur an eine ordnungsgemäß installierte Schutzkontakt-Steckdose an, die mit mindestens 10A abgesichert ist.

#### 7.2 Montieren der Dekupiersäge auf einer Werkbank (Abb. 3,4)

Das Gerät darf nur von einem sachkundigen Fachmann montiert werden!

Zur Montage benötigen Sie (nicht im Lieferumfang enthalten):

- Sechskantschraube M8 (4x)
- Sechskantmutter M8 (8x)
- Unterlegscheibe Ø 8mm (4x)
- Flachdichtung Ø 8mm (4x)
- Gummiunterlage: 450x250x13mm

Die Länge der zu verwendeten Schrauben variiert je nach Dicke der Tischplatte.

- Montieren Sie die Dekupiersäge auf einem massiven Werk Tisch aus Holz. Dadurch kann eine starke Geräuschentwicklung durch Vibrationen vermieden werden.
- Markieren Sie die Bohrlöcher. Verwenden Sie dazu die Dekupiersäge als Schablone.
- Bohren Sie 4 Löcher Ø 9mm in den

Werk Tisch und die Gummiunterlage.

- Verschrauben Sie die Dekupiersäge mit dem Werk Tisch durch die Montagepunkte (Abb. 3/12 Pos. 16) in folgender Reihenfolge (Abb/4):

- A) Dekupiersäge
- B) Gummiunterlage
- C) Werk Tisch
- D) Flachdichtung
- E) Unterlegscheibe
- F) Sechskantmutter
- G) Sechskantmutter
- H) Sechskantschraube

- Ziehen Sie zuerst die Sechskantmutter (F) fest an und sichern Sie diesen anschließend durch eine zweite Sechskantmutter (G).

#### 7.3 Montage

Achtung! Vor allen Wartungs- und Umrüstungsarbeiten an der Dekupiersäge ist der Netzstecker zu ziehen.

##### 7.3.1 Montage des Sägeblattschutzes und der Späneabblas-Vorrichtung (Abb. 6/7/8)

- Sägeblattschutz (5) auf den Halter (4) schieben.
- Rändelschrauben (3) durch die Langlöcher des Sägeblattschutzes (5) schieben und festschrauben.
- Mit den Rändelschrauben kann der Sägeblattschutz in verschiedenen Höhen fixiert werden.
- Montieren Sie die Abblasvorrichtung (1) wie in Abbildung 8 dargestellt.

### 7.3.2 Sägeblatt wechseln (Abb. 1/6/9/10/11/14)

#### Warnung

**Um Verletzungen durch ein versehentliches Starten zu vermeiden: Vor dem Entfernen oder Auswechseln des Sägeblattes immer den Schalter auf die Position "0" stellen und den Netzstecker aus der Steckdose ziehen.**

- Spannschraube (9) nach links drehen, um das Sägeblatt (17) zu entspannen.
- Linke Abdeckung (7) abschrauben. Hierzu den Deckel der Aufbewahrungsbox (22) öffnen und die Schrauben (C) entfernen (Abb. 6). (Es ist auch möglich, das Sägeblatt zu wechseln ohne die linke Abdeckung zu entfernen, erfordert allerdings etwas Geschick).
- Sägeblatt zuerst aus der oberen Sägeblatthalterung (24) herausnehmen, dabei den oberen Pendelarm nach unten drücken.
- Anschließend das Sägeblatt aus der unteren Sägeblatthalterung (25) nehmen.
- Sägeblatt durch die Tischeinlage (26) nach oben herausziehen.
- Neues Sägeblatt in umgekehrter Reihenfolge wieder einsetzen.

**Achtung: Legen Sie das Sägeblatt immer so ein, dass die Zähne nach unten in Richtung des Sägefisches zeigen.**

Das Sägeblatt kann in Schlitz a (Bild 9,10) oder b (Bild 9,11) eingesetzt werden:

#### Schlitz a:

Für Schnitte längs des Auslegers

#### Schlitz b:

Für Schnitte quer zum Ausleger.

Sägeblatt durch Drehen der Spannschraube (9) nach rechts spannen. Sobald sich die Spannschraube etwas schwerer drehen lässt, muss diese noch ca. 3 ganze Umdrehungen weiter gedreht werden, damit diese richtig gespannt ist.

- Linke Abdeckung (7) wieder montieren. (Nur falls diese demontiert wurde)

### 7.3.3 Feineinstellung der Winkelskala

Achtung: Im Auslieferungszustand ist die Winkelskala bereits richtig eingestellt. Stellen Sie den Sägefisch mit Hilfe eines 90° Winkels den Sie am Sägefisch und am Sägeblatt anlegen ein (Abb.12). Lösen Sie die Schraube (28) und drehen den Zeiger (27) auf die 90° Markierung.

Für Präzise Arbeiten führen Sie eine Sägeprobe durch:

Testen Sie den eingestellten Winkel indem Sie einen Probeschnitt durchführen und die eingestellte Gradzahl am Werkstück mit einem Winkelmesser überprüfen. Gegebenenfalls justieren Sie den Zeiger (27) nach.

## 8. Bedienung

### 8.1 Anmerkung:

- Die Säge schneidet Holz nicht selbsttätig. Der Benutzer ermöglicht das Schneiden durch Führung des Holzes in das bewegte Sägeblatt.
- Die Zähne schneiden das Holz nur beim Abwärtshub.
- Das Holz muss langsam in das Sägeblatt geführt werden, da die Zähne des Sägeblattes sehr klein sind.
- Jede Person, die mit der Säge umgehen will, benötigt eine gewisse Lernzeit. Während dieser Zeit werden sicher einige Blätter brechen.
- Beim Schneiden von dickeren Hölzern ist besonders zu beachten, dass das Sägeblatt nicht gebogen oder verdreht wird.
- Durch eine vorsichtige Arbeitsweise wird die Lebensdauer des Sägeblattes erhöht.

### 8.2 Ein- Ausschalter (Abb. 2/Pos. 14)

- Zum Einschalten ist die "I" Taste zu drücken.
- Zum Ausschalten muss die "0" Taste gedrückt werden.

DE/AT/  
CH

**Achtung:** Die Maschine ist mit einem Sicherheitsschalter gegen Wiedereinschalten nach Spannungsabfall ausgerüstet.

Ist die Dekupiersäge eingeschaltet und die Stromzufuhr im Netz wird unterbrochen, bleibt die Dekupiersäge ausgeschaltet, auch wenn die Stromzufuhr wiederhergestellt ist. Zum Einschalten betätigen Sie erneut den Schalter „I“.

### 8.3 Hubzahlregler

Mit dem Hubzahlregler (15) können Sie die Hubzahl entsprechend des zu schneidenden Materials einstellen. Für weiches Material empfehlen wir hohe Drehzahlen, für hartes Material niedrige Drehzahlen. Drehen Sie den Hubzahlregler (15) nach rechts, erhöhen Sie die Drehzahl.

### 8.4 Durchführung von Innenschnitten

Ein Merkmal dieser Dekupiersäge ist die Möglichkeit zur Durchführung von Innenschnitten in einer Platte, ohne dass die Außenseite oder der Umfang der Platte beschädigt wird.

Zur Durchführung von Innenschnitten in einer Platte:

- Das Sägeblatt, wie im Abschnitt 7.3.2 beschrieben, entfernen.
- Ein Loch in die betreffende Platte bohren.
- Die Platte mit dem Loch über das Zugangsloch auf dem Säge Tisch legen.
- Das Sägeblatt durch das Loch in der Platte installieren und die Blattspannung einstellen.
- Nach Beendigung der Innenschnitte das Sägeblatt von den Blatthaltern entfernen (wie im Abschnitt 7.3.2 beschrieben) und die Platte vom Tisch nehmen.

### 8.5 Durchführen von Gehrungsschnitten

Schwenken Sie den Tisch indem Sie den Feststellhebel (12) Lösen und den Säge Tisch in die gewünschte Lage kippen (Abb. 13). Ziehen Sie den Feststellhebel an.

### Achtung!

Seien Sie beim Durchführen von Gehrungsschnitten besonders vorsichtig. Durch die Neigung des Säge Tisches wird ein Abrutschen begünstigt. **Verletzungsgefahr!**

### 8.6 Adapter für Laubsägeblätter (Abb. 5/14)

- Entfernen Sie das Sägeblatt wie unter 7.3.2 beschrieben.
- Setzen Sie nun das Laubsägeblatt (17) in den Adapter ein. Hierzu den Inbusschlüssel 2,5 mm verwenden. Achtung: Das Laubsägeblatt ist nicht im Lieferumfang enthalten.
- Zuerst die Tischeinlage (26) abnehmen.
- Dann beide Adapter (19) an die zwei Sägeblatthalter (24/25) hängen.
- Einsetzen des Sägeblattes wie unter Punkt 7.3.2 beschrieben.

## 9. Austausch der Netzanschlussleitung

Wenn die Netzanschlussleitung dieses Gerätes beschädigt wird, muss sie durch den Hersteller oder seinen Kundendienst oder eine ähnlich qualifizierte Person ersetzt werden, um Gefährdungen zu vermeiden.

## 10. Reinigung, Wartung, Lagerung und Ersatzteilbestellung

### Achtung!

Ziehen Sie vor allen Reinigungsarbeiten den Netzstecker.

### 10.1 Reinigung

- Halten Sie Schutzvorrichtungen, Luftschlitze und Motorengehäuse so staub- und schmutzfrei wie möglich.
- Wir empfehlen, dass Sie das Gerät direkt nach jeder Benutzung reinigen.
- Öffnen Sie die Abdeckung links (Abb. 1/Pos.7), entfernen Sie grobe Verunreinigungen (Sägespäne, Staub) mit



einem Handbesen.

- Reiben Sie das Gerät mit einem sauberen Tuch ab oder blasen Sie es mit Druckluft bei niedrigem Druck aus.
- Reinigen Sie das Gerät regelmäßig mit einem feuchten Tuch und etwas Schmierseife. Verwenden Sie keine Reinigungs- oder Lösungsmittel; diese könnten die Kunststoffteile des Gerätes angreifen. Achten Sie darauf, dass kein Wasser in das Geräteinnere gelangen kann.

## 10.2 Wartung

Im Geräteinneren befinden sich keine weiteren zu wartenden Teile.

### 10.2.1 Lager (Abb. 1/Pos. 8)

Schmieren Sie die Lagerstellen der Umlenkrollen periodisch mit einem hochwertigen Maschinenfett, spätestens jedoch nach etwa 25-30 Betriebsstunden.

### 10.2.2 Kohlebürsten

Bei übermäßiger Funkenbildung lassen Sie die Kohlebürsten durch eine Elektrofachkraft überprüfen. Achtung! Die Kohlebürsten dürfen nur von einer Elektrofachkraft ausgewechselt werden.

## 10.3 Lagerung

Lagern Sie das Gerät und dessen Zubehör an einem dunklen, trockenen und frostfreiem sowie für Kinder unzugänglichem Ort. Die optimale Lagertemperatur liegt zwischen 5 und 30 °C. Bewahren Sie das Elektrowerkzeug in der Originalverpackung auf.

## 10.4 Ersatzteilbestellung:

Bei der Ersatzteilbestellung müssen folgende Angaben gemacht werden;

- Typ des Gerätes
- Artikelnummer des Gerätes
- Ident-Nummer des Gerätes

Aktuelle Preise und Infos finden Sie unter [www.isc-gmbh.info](http://www.isc-gmbh.info)

## 11. Entsorgung und Wiederverwertung

Das Gerät befindet sich in einer Verpackung um Transportschäden zu verhindern. Diese Verpackung ist Rohstoff und ist somit wieder verwendbar oder kann dem Rohstoffkreislauf zurückgeführt werden. Das Gerät und dessen Zubehör bestehen aus verschiedenen Materialien, wie z.B. Metall und Kunststoffe. Führen Sie defekte Bauteile der Sondermüllentsorgung zu. Fragen Sie im Fachgeschäft oder in der Gemeindeverwaltung nach!



Nur für EU-Länder

Werfen Sie Elektrowerkzeuge nicht in den Hausmüll!

Gemäß europäischer Richtlinie 2002/96/EG über Elektro- und Elektronik-Altgeräte und Umsetzung in nationales Recht müssen verbrauchte Elektrowerkzeuge getrennt gesammelt werden und einer umweltgerechten Wiederverwertung zugeführt werden.

Recycling-Alternative zur Rücksendeauforderung:

Der Eigentümer des Elektrogerätes ist alternativ anstelle Rücksendung zur Mitwirkung bei der sachgerechten Verwertung im Falle der Eigentumsaufgabe verpflichtet. Das Altgerät kann hierfür auch einer Rücknahmestelle überlassen werden, die eine Beseitigung im Sinne der nationalen Kreislaufwirtschafts- und Abfallgesetze durchführt. Nicht betroffen sind den Altgeräten beigefügte Zubehörteile und Hilfsmittel ohne Elektrobestandteile.

DE/AT/  
CH

## 12. Konformitätserklärung

Einhell Germany AG · Wiesenweg 22 · D-94405 Landau/Isar



## Konformitätserklärung

- DE** erklärt folgende Konformität gemäß EU-Richtlinie und Normen für Artikel
- EN** explains the following conformity according to EU directives and norms for the following product
- FR** déclare la conformité suivante selon la directive CE et les normes concernant l'article
- IT** dichiara la seguente conformità secondo la direttiva UE e le norme per l'articolo
- NL** verklaart de volgende overeenstemming conform EU richtlijn en normen voor het product
- ES** declara la siguiente conformidad a tenor de la directiva y normas de la UE para el artículo
- P** declara a seguinte conformidade, de acordo com a directiva CE e normas para o artigo
- DK** atterer følgende overensstemmelse i medfør af EU-direktiv samt standarder for artikel
- S** förklarar följande överensstämmelse enl. EU-direktiv och standarder för artikeln
- RU** вакууттаа, että tuote täyttää EU-direktiivin ja standardien vaatimukset
- EL** töendab toote vastavust EL direktiivile ja standarditele
- CZ** vydává následující prohlášení o shodě podle směrnice EU a norem pro výrobek
- SK** potvrduje sledujúce skladnosť s smernico EU in standardi za izdelek
- SK** vydáva nasledujúce prehlásenie o zhode podľa smernice EÚ a noriem pre výrobok
- H** a cikkekhez az EU-irányvonal és Normák szerint a következő konformitást jelenti ki
- PL** deklaruje zgodność wymienionego poniżej artykułu z następującymi normami na podstawie dyrektywy WE.
- BG** декларира съответното съответствие съгласно Директива на ЕС и норми за артикул
- LV** paskaidro šādu atbilstību ES direktīvai un standartiem
- LT** apibūdina šį atitikimą EU reikalavimams ir prekės normoms
- RO** declară următoarea conformitate conform directivei UE și normelor pentru articolul
- GR** δηλώνει την ακόλουθη συμμόρφωση σύμφωνα με την Οδηγία ΕΚ και τα πρότυπα για το προϊόν
- HR** potvrđuje sljedeću usklađenost prema smjernicama EU i normama za artikl
- SI** potrjuje sljedeću usklađenost prema smernicama EU i normama za artikl
- ES** potvrdjuje sledeću usklađenost prema smernicama EZ i normama za artikl
- RU** следующим удостоверяется, что следующие продукты соответствуют директивам и нормам ЕС
- UK** проголошує про зазначену нижче відповідність виробу директивам та стандартам ЄС на виріб
- MK** ja izjavuva slednata soobraznost согласно EY-direktivata i normite za artikli
- TR** Ürünü ile ilgili AB direktifleri ve normları gereğince aşağıda açıklanan uygunluğu belirtir
- N** erklærer følgende samsvar i henhold til EU-direktivet og standarder for artikkel
- IS** Lýsir uppfyllingu EU-reglna og annarra staða vöru

## Dekupiersäge PDKS 120 A1 (Parkside)

- 2009/105/EC
- 2006/95/EC
- 2006/28/EC
- 2005/32/EC
- 2004/108/EC
- 2004/22/EC
- 1999/5/EC
- 97/23/EC
- 90/396/EC
- 89/686/EC\_96/58/EC
- 2006/42/EC
- Annex IV  
Notified Body:  
Notified Body No.:  
Reg. No.:
- 2000/14/EC\_2005/88/EC
- Annex V
- Annex VI  
Noise: measured  $L_{WA}$  = dB (A); guaranteed  $L_{WA}$  = dB (A)  
P = KW; L $\emptyset$  = cm  
Notified Body:
- 2004/26/EC  
Emission No.:

Standard references: EN 61029-1; EN 55014-1; EN 61000-3-2; EN 61000-3-3; EN 55014-2

Landau/Isar, den 12.07.2010

  
Weichselgartner/General Manager


  
Wentao/Product-Management

First CE: 10  
Art.-No.: 43.090.23 I.-No.: 11010  
Subject to change without notice

Archive-File/Record: 4309020-11-4177400-10  
Documents registrar: Siegfried Roider  
Wiesenweg 22, D-94405 Landau/Isar

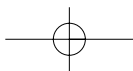
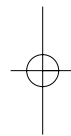
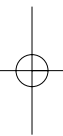
# 13. GARANTIEURKUNDE

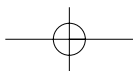
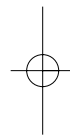
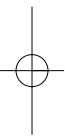
**Sehr geehrte Kundin, sehr geehrter Kunde,**

unsere Produkte unterliegen einer strengen Qualitätskontrolle. Sollte dieses Gerät dennoch einmal nicht einwandfrei funktionieren, bedauern wir dies sehr und bitten Sie, sich an unseren Servicedienst unter der auf dieser Garantiekarte angegebenen Adresse zu wenden. Gern stehen wir Ihnen auch telefonisch über die unten angegebene Servicrufnummer zur Verfügung. Für die Geltendmachung von Garantieansprüchen gilt Folgendes:

1. Diese Garantiebedingungen regeln zusätzliche Garantieleistungen. Ihre gesetzlichen Gewährleistungsansprüche werden von dieser Garantie nicht berührt. Unsere Garantieleistung ist für Sie kostenlos.
2. Die Garantieleistung erstreckt sich ausschließlich auf Mängel, die auf Material- oder Herstellungsfehler zurückzuführen sind und ist auf die Behebung dieser Mängel bzw. den Austausch des Gerätes beschränkt. Bitte beachten Sie, dass unsere Geräte bestimmungsgemäß nicht für den gewerblichen, handwerklichen oder industriellen Einsatz konstruiert wurden. Ein Garantievertrag kommt daher nicht zustande, wenn das Gerät in Gewerbe-, Handwerks- oder Industriebetrieben sowie bei gleichzusetzenden Tätigkeiten eingesetzt wird.  
Von unserer Garantie sind ferner Ersatzleistungen für Transportschäden, Schäden durch Nichtbeachtung der Montageanleitung oder aufgrund nicht fachgerechter Installation, Nichtbeachtung der Gebrauchsanleitung (wie durch z.B. Anschluss an eine falsche Netzspannung oder Stromart), missbräuchliche oder unsachgemäße Anwendungen (wie z.B. Überlastung des Gerätes oder Verwendung von nicht zugelassenen Einsatzwerkzeugen oder Zubehör), Nichtbeachtung der Wartungs- und Sicherheitsbestimmungen, Eindringen von Fremdkörpern in das Gerät (wie z.B. Sand, Steine oder Staub), Gewaltanwendung oder Fremdeinwirkungen (wie z. B. Schäden durch Herunterfallen) sowie durch verwendungsgemäßen, üblichen Verschleiß ausgeschlossen. Dies gilt insbesondere für Akkus, auf die wir dennoch eine Garantiezeit von 12 Monaten gewähren  
Der Garantieanspruch erlischt, wenn an dem Gerät bereits Eingriffe vorgenommen wurden.
3. Die Garantiezeit beträgt 3 Jahre und beginnt mit dem Kaufdatum des Gerätes. Garantieansprüche sind vor Ablauf der Garantiezeit innerhalb von zwei Wochen, nachdem Sie den Defekt erkannt haben, geltend zu machen. Die Geltendmachung von Garantieansprüchen nach Ablauf der Garantiezeit ist ausgeschlossen. Die Reparatur oder der Austausch des Gerätes führt weder zu einer Verlängerung der Garantiezeit noch wird eine neue Garantiezeit durch diese Leistung für das Gerät oder für etwaige eingebaute Ersatzteile in Gang gesetzt. Dies gilt auch bei Einsatz eines Vor-Ort-Services.
4. Für die Geltendmachung Ihres Garantieanspruches übersenden Sie bitte das defekte Gerät portofrei an die unten angegebene Adresse. Fügen Sie den Verkaufsbeleg im Original oder einen sonstigen datierten Kaufnachweis bei. Bitte bewahren Sie deshalb den Kassenbon als Nachweis gut auf! Beschreiben Sie uns bitte den Reklamationsgrund möglichst genau. Ist der Defekt des Gerätes von unserer Garantieleistung erfasst, erhalten Sie umgehend ein repariertes oder neues Gerät zurück.

Selbstverständlich beheben wir gegen Erstattung der Kosten auch gerne Defekte am Gerät, die vom Garantiefumfang nicht oder nicht mehr erfasst sind. Dazu senden Sie das Gerät bitte an unsere Serviceadresse.







IAN: 54328 PDKS 120 A1  
**Einhell Germany AG**  
Wiesenweg 22  
D-94405 Landau/Isar

Last Information Update - Tietojen tila - Informationsstatus  
Tilstand af information - Stand der Informationen:  
07/2010 Ident.-No.: 43.090.23 072010 - 3

