

MAINTENANCE

- Keep the vents of the saw clean at all times. If possible, prevent foreign matter from entering the vents.
- After each use, blow air through the saw housing and guard, to ensure it is free from all dust particles which may build up. Build up of dust particles may cause the saw to overheat and fail.
- If the enclosure of the saw requires cleaning, do not use solvents but a moist soft cloth only. Never let any liquid get inside the saw, never immerse any part of the saw into a liquid.

Carbon Brushes



When the carbon brushes wear out, the saw will spark and/or stop. Discontinue use as soon as this happens. They should be replaced prior to recommending use of the saw. Carbon brushes are a wearing component of the saw therefore not covered under warranty. Continuing to use the saw when carbon brushes need to be replaced may cause permanent damage to the saw. Carbon brushes will wear out after many uses. When the carbon brushes need to be replaced, take the saw to an electrician or a power tool repairer for a quick and low cost replacement. Always replace both carbon brushes at the same time.

Note: Ozito Industries will not be responsible for any damage or injuries caused by the repair of the saw by an unauthorised person or by mishandling of the saw.

DESCRIPTION OF SYMBOLS



Danger! Read the operating instructions to reduce the risk of inquiry.



Double insulated



Caution! Wear ear-muffs. The impact of noise can cause damage to hearing.



Caution! Wear a breathing mask. Dust which is injurious to health can be generated when working on wood and other materials. Never use the device to work on any materials containing asbestos!



Caution! Wear safety goggles. Sparks generated during working or splinters, chips and dust emitted by the device can cause loss of sight.



Caution! Risk of injury! Do not reach into the running saw blade.

TROUBLE SHOOTING

Circular Saw Tips

Always hold the soft grip handle with one hand and the front handle with the other. Maintain a firm grip and operate the on/off switch with a positive action. Never force the saw. Use light and continuous pressure. When cutting is interrupted, to resume cutting, depress the lock-off button and squeeze the on/off switch and allow the blade to reach full speed, re-enter the cut slowly and resume cutting.

When cutting across the grain, the fibres of the wood have a tendency to tear and lift. Advancing the saw slowly minimizes this effect. For a finished cut, a cross cut blade or mitre blade is recommended.

Sparking visible through the housing air vents

A small amount of sparking may be visible through the housing vents. This is normal and does not indicate a problem.

Excessive sparking visible through the housing air vents and/or the saw failing to operate

May indicate the carbon brushes have worn out and need to be replaced. Carbon brushes should only be replaced by a qualified electrician or power tool repairer.

WARNING: THE SAW IS RECOMMENDED FOR WOOD CUTTING ONLY AND IS NOT INTENDED TO BE USED WITH ABRASIVE OR MASONRY/WET DIAMOND WHEELS. USING WATER OR OTHER LIQUID COOLANTS WITH THIS MACHINE MAY RESULT IN SHOCK OR ELECTROCUTION.

WARNING: AFTER COMPLETING A CUT AND THE ON/OFF SWITCH IS RELEASED, BE AWARE OF THE TIME IT TAKES FOR THE BLADE TO COME TO A COMPLETE STOP. HOLD THE SAW AWAY FROM YOUR BODY UNTIL THE BLADE STOPS COMPLETELY. THIS MAY HELP TO PREVENT SERIOUS INJURY.

WARNING: AVOID ACCIDENTAL STARTING BY DISCONNECTING THE TOOL FROM THE POWER SOURCE BEFORE ASSEMBLING OR MAKING ANY ADJUSTMENTS.

SERVICE INFORMATION

Please note that the following parts of this product are subject to normal or natural wear and that the following parts are therefore also required for use as consumables.

Category	Example
Wear parts*	Carbon brushes
Consumables*	Saw blade
Missing parts	

* Not necessarily included in the scope of delivery!

SPARE PARTS

Spare parts can be ordered from the Special Orders Desk at your local Bunnings Warehouse or Homebase store.

For further information, or any parts visit www.ozito-diy.co.uk or contact Ozito Customer Service: Great Britain: 0151 294 4488
Ireland: 1850 882711
E-mail: info@ozito-diy.co.uk

SOUND & VIBRATION

Sound and vibration values were measured in accordance with EN 60745.

L_{pA} sound pressure level:	92.1 dB
K_{1A} uncertainty:	3 dB
L_{wA} sound power level:	103.1 dB
K_{1w} uncertainty:	3 dB

Wear ear-muffs.

The impact of noise can cause damage to hearing.

Total vibration values (vector sum of three directions) determined in accordance with EN 60745.

Cutting wood:
Vibration emission value a_{hv} = 2.66 m/s²
 K uncertainty = 1.5 m/s²

Keep the noise emissions and vibrations to a minimum.

- Only use appliances which are in perfect working order.
- Service and clean the appliance regularly.
- Adapt your working style to suit the appliance.
- Do not overload the appliance.
- Have the appliance serviced whenever necessary.
- Switch the appliance off when it is not in use.
- Wear protective gloves.



For EU countries only

Never place any electric power tools in your household refuse.

To comply with European Directive 2012/19/EC concerning old electric and electronic equipment and its implementation in national laws, old electric power tools have to be separated from other waste and disposed of in an environment-friendly fashion, e.g. by taking to a recycling depot.

Recycling alternative to the return request:

As an alternative to returning the equipment to the manufacturer, the owner of the electrical equipment must make sure that the equipment is properly disposed of if he no longer wants to keep the equipment. The old equipment can be returned to a suitable collection point that will dispose of the equipment in accordance with the national recycling and waste disposal regulations. This does not apply to any accessories or aids without electrical components supplied with the old equipment.

The reprinting or reproduction by any other means, in whole or in part, of documentation and papers accompanying products is permitted only with the express consent of the ISC GmbH.

Subject to technical changes

ELECTRICAL SAFETY

WARNING! When using mains-powered tools, basic safety precautions, including the following, should always be followed to reduce risk of fire, electric shock, personal injury and material damage.
Read the whole manual carefully and make sure you know how to switch the tool off in an emergency, before operating the tool.

Save these instructions and other documents supplied with this tool for future reference.
Before you connect the equipment to the mains supply make sure that the data on the rating plate are identical to the mains data.

This tool is double insulated therefore no earth wire is required.

GENERAL POWER TOOL SAFETY WARNINGS

WARNING! Read all the safety information, instructions, illustrations and technical data provided on or with this power tool. Failure to adhere to the following instructions may result in electric shock, fire and/or serious injury.
Keep all the safety information and instructions in a safe place for future use.
The term „power tool“ used in the safety information and instructions refers to power tools operated from the mains power supply (with a power cable) and to battery operated power tools (without a power cable).

- Workplace safety**
 - Keep your work area clean and well lit. Unclear or unlit work areas can result in accidents.
 - Do not use this power tool in an area where there is a risk of explosion and where there are inflammable liquids, gases or dust. Power tools generate sparks that can ignite dust or vapors.
 - Keep children and other people away from the power tool while you are using it. If you are distracted you may lose control of the power tool.
- Electrical safety**
 - The plug on the power tool must fit into the socket. The socket must not be modified in any way. Do not use adapter plugs together with power tools with a protective earth. Unmodified plugs and matching sockets will reduce the risk of an electric shock.
 - Avoid body contact with earthed surfaces such as pipes, heating systems, stoves and refrigerators. There is an increased risk of suffering an electric shock if your body is earthed.
 - Keep the power tool out of the rain and away from moisture. The ingress of water into an electric power tool increases the risk of an electric shock.
 - Do not use the power cable for a purpose for which it is not designed, for example to carry the power tool, hang it up or to pull the plug out of the socket. Keep the power cable away from heat, oil, sharp edges and moving parts. Power cables that are damaged or tangled increase the risk of an electric shock.
 - If you use an electric power tool outdoors, use only extension cables that are suitable for outdoor use. The use of an extension cable which is suitable for outdoor use reduces the risk of an electric shock.
 - If you cannot avoid using the power tool in a damp location, use a residual current device (RCD) circuit breaker. The use of a residual current device (RCD) circuit breaker will reduce the risk of suffering an electric shock.
- Safety of persons**
 - Be careful, watch what you are doing and be sensible and responsible when using an electric power tool. Never use the power tool if you are tired or under the influence of drugs, alcohol or medication. One moment of inattention when using the electric tool can result in serious injuries.
 - Wear personal safety equipment and always wear safety goggles. Wearing personal safety equipment such as dust masks, non-slip safety shoes, a helmet or ear plugs, depending on the type and application of the tool, reduces the risk of injury.
 - Make sure that the tool cannot start up accidentally. Ensure that the power tool is switched off before you connect it to the power supply and/or connect the battery pack, pick it up or carry it. If you have your

CIRCULAR SAW SAFETY WARNINGS

WARNING! Sawing process / Danger:

- Do not reach into the sawing area or touch the saw blade. Hold the additional handle or the motor casing with your other hand. If you hold the saw in both hands, they cannot be injured by the saw blade.
- Do not reach under the workpiece. The guard hood cannot protect you from the saw blade under the workpiece.
- Adjust the cutting depth to the thickness of the workpiece. Less than one full tooth height should be visible under the workpiece.
- Never hold the workpiece you wish to saw in your hand or on your leg. Secure the workpiece on a sturdy mount. It is important that you secure the workpiece well to minimize the danger of body contact, the saw blade jamming or loss of control.
- Hold the electric power tool by the insulated handles when carrying out work during which the plug-in tool could strike concealed power cables or its own power cable. Contact with a live cable will also make the metal parts of the power tool live and will cause an electric shock.
- Always use a stop or a straight edge when carrying out longitudinal cuts. This will improve your cutting accuracy and reduce the possibility of the saw blade jamming.
- Always use saw blades of the correct size and with a suitable mounting hole (e.g. diamond-shaped or round). Saw blades that do not match the mounting parts of the saw will not rotate truly and will result in a loss of control.
- Never use damaged or incorrect saw blade washers or screws. The saw blade washers and screws have been specially designed for your saw to ensure perfect performance and operational safety.

Additional safety instructions for all saws

Causes of recoil and related safety information:

- A recoil is the sudden reaction resulting from a caught, jammed or incorrectly aligned saw blade which may result in the saw leaping out of the workpiece out of control and towards the operator.
- If the saw blade becomes caught or jammed in a closing saw gap, it will block and the power of the motor will cause the saw to leap backwards towards the operator.
- If the saw blade is twisted or incorrectly aligned in the cut, the teeth in the rear saw blade edge may become caught in the surface of the wood, which results in the saw blade leaping out of the saw gap and the saw leaping towards the operator.

If the supply cord is damaged, it must be replaced by an electrician or a power tool repairer in order to avoid a hazard.

Note: Double insulation does not take the place of normal safety precautions when operating this tool. The insulation system is for added protection against injury resulting from a possible electrical insulation failure within the tool.

Using an Extension Lead

Always use an approved extension lead suitable for the power input of this tool. Before use, inspect the extension lead for the signs of damage, wear and ageing. Replace the extension lead if damaged or defective. When using an extension lead on a reel, always unwind the lead completely. Use of an extension lead not suitable for the power input of the tool or which is damaged or defective may result in a risk of fire and electric shock.

- Remove all adjusting tools or wrenches before you switch on the power tool. Any tool or wrench in a rotating part of the power tool could cause injuries.
- Avoid abnormal working postures. Make sure you stand squarely and keep your balance at all times.
- Wear suitable clothes. Never wear loose fitting clothes or jewelry. Keep hair and clothing away from moving parts. Loose clothing, jewelry or long hair can be caught by moving parts.
- Do not use this power tool in an area where there is a risk of explosion and where there are inflammable liquids, gases or dust. Power tools generate sparks that can ignite dust or vapors.
- Do not allow yourself to be lulled into a false sense of security and do not ignore the safety regulations covering electric power tools, even if you are familiar with the power tool after having used it many times. Carelessness can lead to serious injuries in just a fraction of a second.
- Using and handling the power tool
 - Do not overload your power tool. Use the correct electric tool for the job in hand. The correct tool will enable you to work better and more safely within the specific performance range.
 - Do not use an electric power tool if the switch is defective. An electric power tool that cannot be switched on or off is dangerous and must be repaired.
 - Pull the plug out of the socket and/or remove the removable battery pack before making any adjustments to the tool, changing plug-in tool parts or putting the power tool down. These precautions will prevent the power tool starting accidentally.
 - Keep unused electric tools out of the reach of children. Do not allow people who are not familiar with the power tool or who have not read these instructions to use the power tool. Electric tools are dangerous if they are used by inexperienced people.
 - Look after power tools and plug-in tools with care. Check that moving parts function correctly and do not jam, and whether any parts are broken or damaged such that they adversely affect the function of the power tool. Have damaged parts repaired before you use the power tool. Many accidents are caused by poorly maintained electric tools.
 - Keep cutting tools sharp and clean. Carefully maintained cutting tools with sharp cutting edges will jam less and are easier to control.
 - Use the power tool, plug-in tools, etc. as set out in these instructions. Take account of the conditions in your work area and the job in hand. Using electric tools for purposes other than the one for which they are designed can result in dangerous situations.
 - Keep the handles and grip surfaces dry, clean and free from oil and grease. If the handles and grip surfaces are slippery, it will not be possible to operate and control the power tool safely in unforeseen situations.
- Service
 - Have your power tool repaired only by trained personnel using only genuine spare parts. This will ensure that your power tool remains safe to use.

ozito

CIRCULAR SAW

1300W

ORIGINAL INSTRUCTIONS

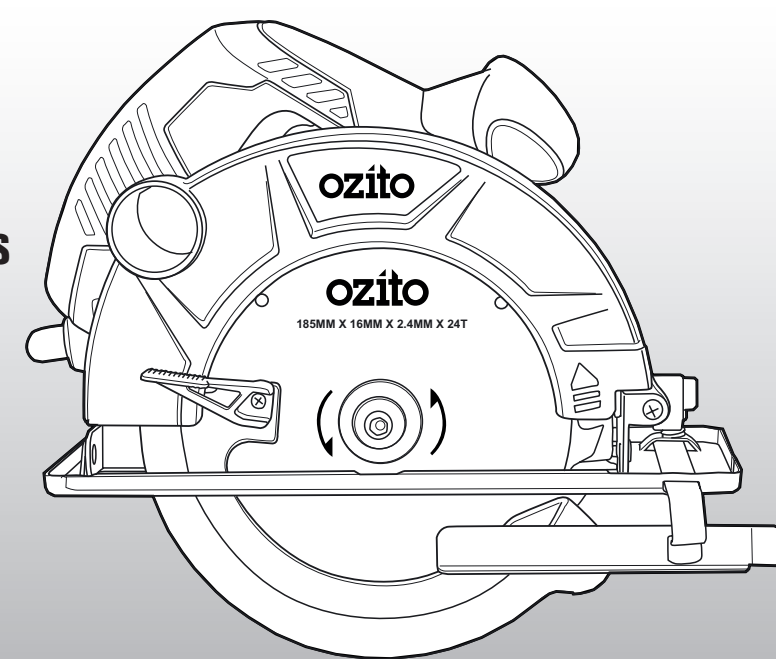
SPECIFICATIONS

Input Voltage:	230-240V - 50Hz
Motor:	1300W
No Load Speed:	4,800/min
Blade Diameter:	185mm (7 1/4")
Blade Bore:	Ø16mm
Blade Thickness:	2.4mm
Depth of Cut:	65mm @ 90° 44mm @ 45°
Protection Class:	II
Weight:	4kg

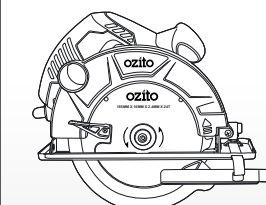
ozito-diy.co.uk



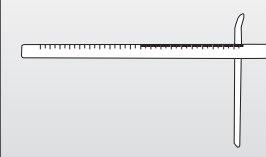
3 YEAR REPLACEMENT WARRANTY



WHAT'S IN THE BOX



Circular Saw



Rip Fence



Hex Key

CSW-7000U

WARRANTY

All of our products undergo strict quality checks to ensure that they reach you in perfect condition. In the unlikely event that your device develops a fault, please contact our service department at the address shown on this guarantee card. You can also contact us by telephone using the customer service number shown. Please note the following terms under which guarantee claims can be made:

- These warranty terms regulate additional warranty services, which the manufacturer mentioned below promises to buyers of its new products in addition to their statutory guarantee claims are not affected by this guarantee. Our guarantee is free of charge to you.
- The warranty services only covers defects due to material or manufacturing faults on a product which you have bought from the manufacturer mentioned below are limited to either the rectification of said defects on the product or the replacement of the product, whichever we prefer. Please note that our devices are not designed for use in commercial, trade or professional applications. A guarantee contract will not be created if the device has been used by commercial, trade or industrial business or has been exposed to similar stresses during the guarantee period.
- The following are not covered by our guarantee:
 - Damage to the device caused by a failure to follow the assembly instructions or due to incorrect installation, a failure to follow the operating instructions (for example connecting it to an incorrect mains voltage or current type) or a failure to follow the maintenance and safety instructions or by exposing the device to abnormal environmental conditions or by lack of care and maintenance.
 - Damage to the device caused by abuse or incorrect use (for example overloading the device or the use of unapproved tools or accessories), ingress of foreign bodies into the device (such as sand, stones or dust, transport damage), the use of force or damage caused by external forces (for example by dropping it).

- Damage to the device or parts of the device caused by normal or natural wear or tear or by normal use of the device.

4. Your Product is guaranteed for a period of 36 months from the original date of purchase and is intended for DIY (Do It Yourself) use only. Lithium ion batteries and chargers are covered by a 12 month warranty. Warranty excludes consumable parts. Guarantee claims should be submitted before the end of the guarantee period within two weeks of the defect being noticed. No guarantee claims will be accepted after the end of the guarantee period. The original guarantee period remains applicable to the device even if repairs are carried out or parts are replaced. In such cases, the work performed or parts fitted will not result in an extension of the guarantee period, and no new guarantee will become active for the work performed or parts fitted. This also applies if an on-site service is used.

IN ORDER TO MAKE A CLAIM UNDER THIS WARRANTY YOU MUST RETURN THE PRODUCT TO THE PLACE OF PURCHASE WITH YOUR REGISTER RECEIPT.

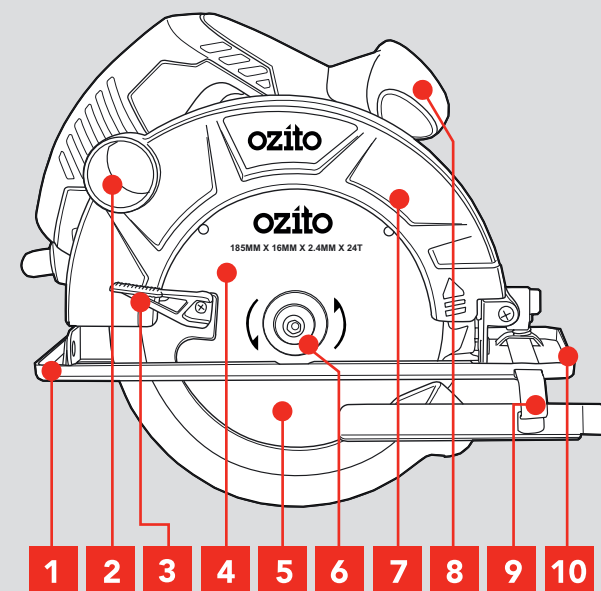
Please refer to the restrictions of this warranty concerning wearing parts, consumables and missing parts as set out in the service information in these operating instructions.

CUSTOMER SERVICE HELPLINE
GB: 0151 294 4488
IRL: 1850 882711
Ozito-diy.co.uk

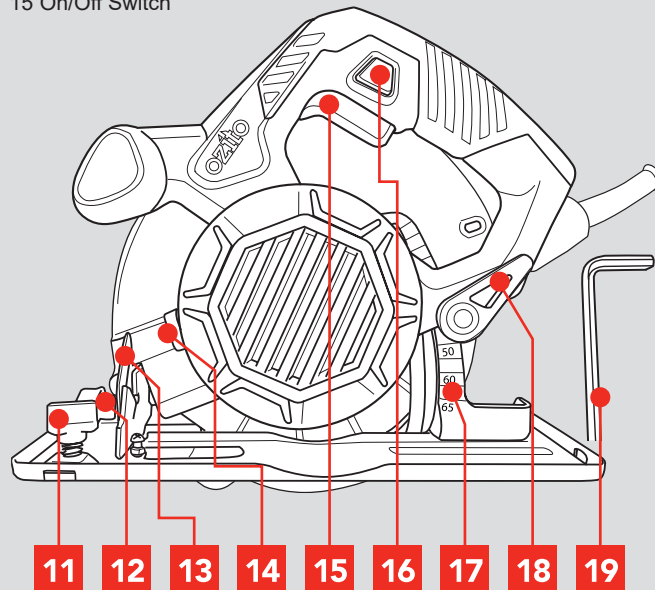
KNOW YOUR PRODUCT

CIRCULAR SAW

- | | |
|---------------------------|------------------------|
| 1 Baseplate | 6 Blade Flange |
| 2 Dust Extraction Port | 7 Upper Blade Guard |
| 3 Lower Blade Guard Lever | 8 Front Handle |
| 4 Blade | 9 Rip Fence |
| 5 Lower Blade Guard | 10 Cutting Guide Notch |



- | | |
|--------------------------|---------------------------|
| 11 Rip Fence Lock Knob | 16 Lock Off Button |
| 12 Bevel Adjustment Knob | 17 Depth Adjustment Scale |
| 13 Bevel Scale | 18 Depth Adjustment Knob |
| 14 Spindle Lock Button | 19 Hex Key |
| 15 On/Off Switch | |



ONLINE MANUAL

Scan this QR Code with your mobile device to take you to the online manual.



SETUP & PREPARATION

1. BEFORE USE

Items Supplied

Please check that the article is complete as specified in the scope of delivery. If parts are missing, please contact our service center or the sales outlet where you made your purchase at the latest within 5 working days after purchasing the product and upon presentation of a valid bill of purchase. Also, refer to the warranty table in the service information at the end of the operating instructions.

- Open the packaging and take out the equipment with care.
- Remove the packaging material and any packaging and/or transportation braces (if available).
- Check to see if all items are supplied.
- Inspect the equipment and accessories for transport damage.
- If possible, please keep the packaging until the end of the guarantee period.

Danger!

The equipment and packaging material are not toys. Do not let children play with plastic bags, foils or small parts. There is a danger of swallowing or suffocating!

Proper Use

The hand-held circular saw is designed for sawing straight cuts in wood, wood-type materials and plastics. When working, be careful not to overheat the tips of the saw blade and melt the plastic.

The equipment is to be used only for its prescribed purpose. Any other use is deemed to be a case of misuse. The user / operator and not the manufacturer will be liable for any damage or injuries of any kind caused as a result of this.

Please note that our equipment has not been designed for use in commercial, trade or industrial applications. Our warranty will be voided if the machine is used in commercial, trade or industrial businesses or for equivalent purposes.

Caution! Residual risks

Even if you use this electric power tool in accordance with instructions, certain residual risks cannot be ruled out. The following hazards may arise in connection with the equipment's construction and layout:

1. Lung damage if no suitable protective dust mask is used.
2. Damage to hearing if no suitable ear protection is used.
3. Health damage caused by hand-arm vibrations if the equipment is used over a prolonged period or is not properly guided and maintained.

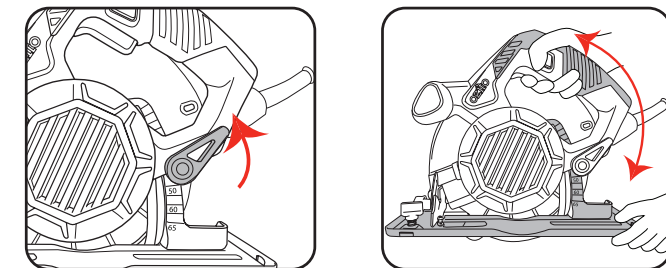
OPERATION

2. DEPTH & BEVEL ADJUSTMENT

Ensure the tool is disconnected from the power supply before performing any of the following operations.

Depth Adjustment

Depth should be adjusted so that no more than one tooth is protruding through the timber. This helps to minimise splintering.



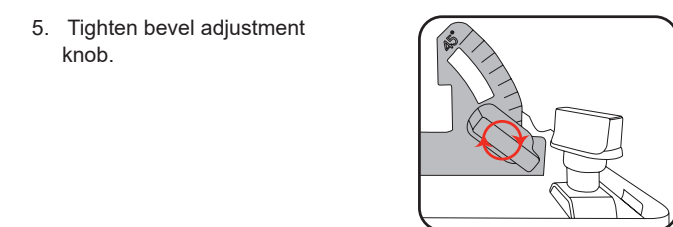
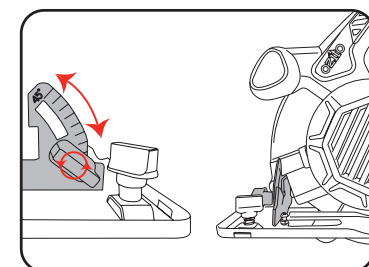
1. Loosen the depth adjustment knob.
2. Hold the baseplate down with one hand. Raise or lower the saw to the desired depth, referring to the scale.



3. Tighten depth adjustment knob.

Bevel Adjustment

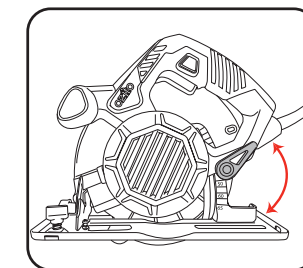
4. Loosen bevel adjustment knob. Align baseplate to desired angle on bevel scale.



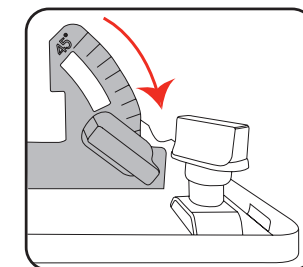
5. Tighten bevel adjustment knob.

3. CUTTING ANGLE CHECK

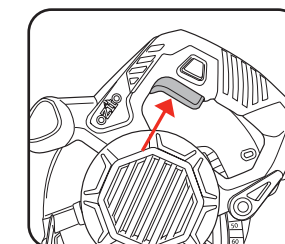
1. Set baseplate to maximum depth of cut.



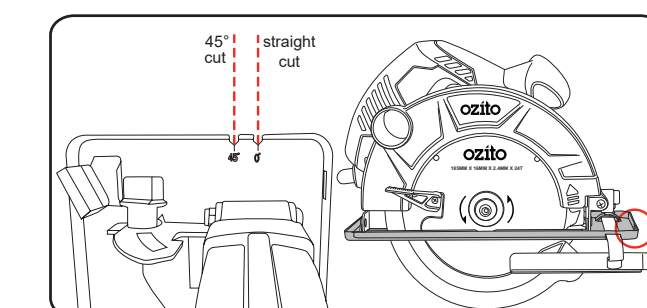
2. Loosen bevel adjustment knob. Set to 0° on the scale. Tighten bevel adjustment knob.



3. Confirm the angle between the blade and the baseplate is 90° using a square.



Cutting Guide Notch

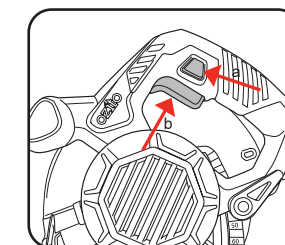


4. The cutting guide will give an approximate line of cut. For a straight cut, use the 0° notch. For a 45° cut, use the 45° notch.

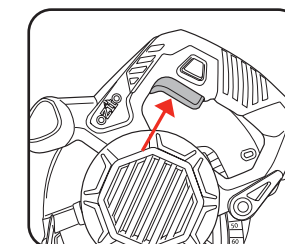
4. ON/OFF SWITCH

The tool is recommended for use with a residual current device with a rated residual current of 30mA or less.

1. Connect the tool to the mains power supply.
2. Securely clamp your workpiece.
3. To turn the saw on, depress the lock off switch then the on/off switch.



4. To stop the saw, release the on/off switch.



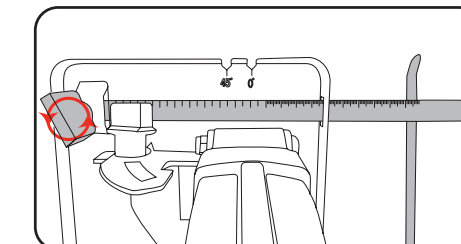
WARNING: AFTER USE, HOLD THE SAW AWAY FROM YOUR BODY UNTIL THE BLADE STOPS COMPLETELY. THIS MAY HELP TO PREVENT SERIOUS INJURY.

5. CUTTING GUIDE

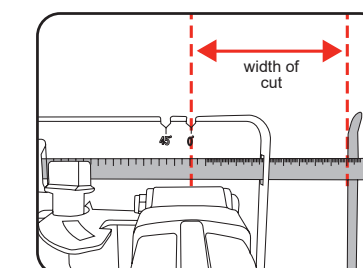
Rip Fence

The combination blade provided with your saw is for both cross cuts and rip cuts. Ripping is cutting lengthwise with the grain of the wood. Rip cuts are made easy with the addition of a rip fence.

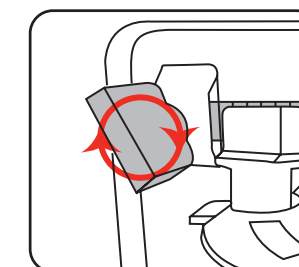
1. To attach rip fence, insert through slots in baseplate.



2. Set to desired width by aligning the scale with the cutting guide notch.



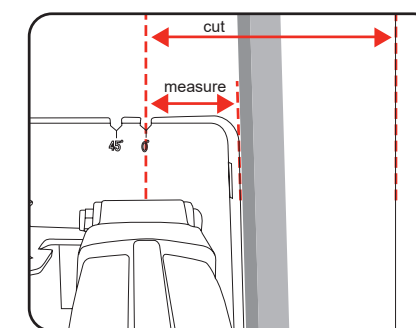
3. Tighten rip fence lock knob.



Rip Board Guide

If the rip fence is not wide enough to allow the desired width of cut, clamp a straight piece of timber to your workpiece and use the right side of the baseplate to guide the saw along the desired path.

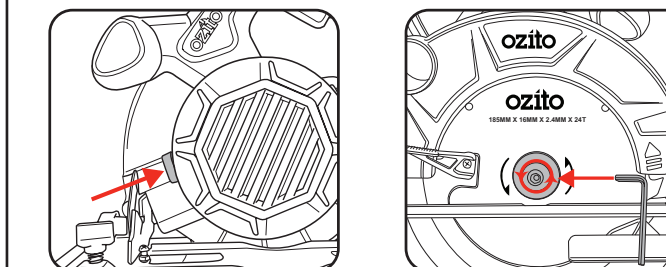
4. Measure distance between cut line and edge of baseplate.



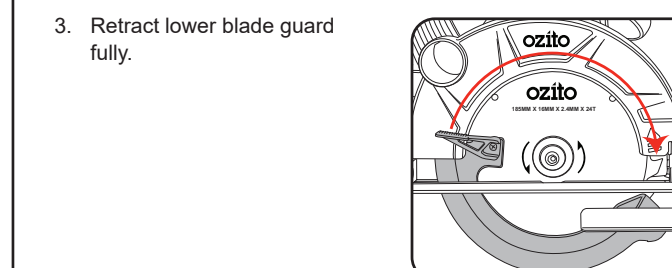
5. Clamp board along edge of baseplate to rip desired width.

6. BLADE FITMENT

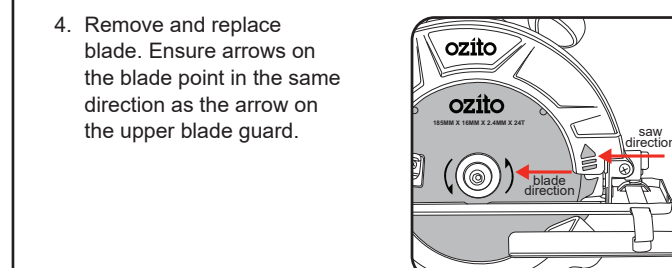
The tool is recommended for wood cutting only and is not recommended for use with abrasive wheels or masonry/diamond cutting wheels. Only use 185mm wood cutting blades.



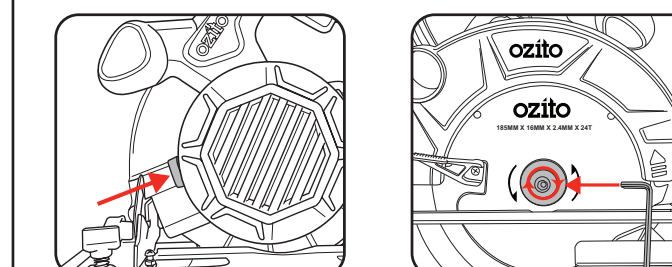
1. Press spindle lock button.
2. Use Hex key to rotate blade until lock engages. Remove blade bolt and outer blade flange.



3. Retract lower blade guard fully.



4. Remove and replace blade. Ensure arrows on the blade point in the same direction as the arrow on the upper blade guard.



5. Fit outer blade flange and blade bolt. Depress spindle lock.
6. Tighten blade bolt.

3 YEAR REPLACEMENT WARRANTY