

Sliding Cross Cut Saw YPL 1801

Art.-No.: **43.006.40**

Bar-Code.: **4006825510058**

Sales Unit: **1 pc**

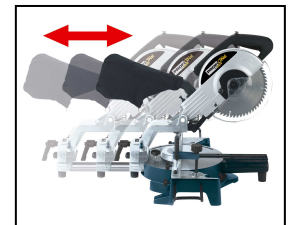
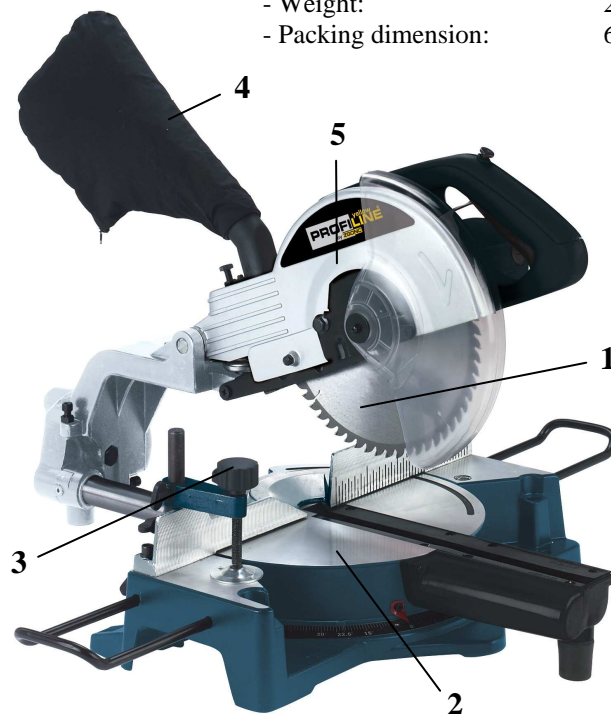
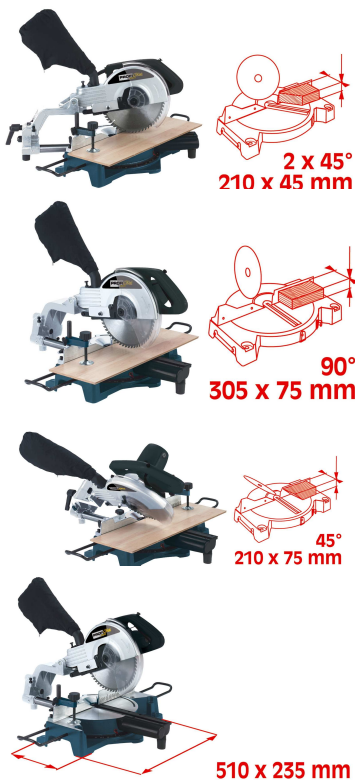
The sliding cross cut- and mitre table saw YPL 1801 warrants a clean and precise cut of wooden parts problem-free. Double mitre cuts are possible with its tilting and swivelling motor-head. Because of sliding feature the saw can cut a width of 305 mm and is suitable for cuts of wide panels and laminate floorboard.

Features:

- Carbide tipped saw blade (1)
- Rotating table for precise angle cuts ranging from -45° to $+45^\circ$ (2)
- Clamping device form for fixation of work piece (3)
- Incl. dust bag (4) and transport locking
- Tilting motor head continuously from 0° to $+45^\circ$ (5)

Technical data:

- | | |
|---|---|
| - Mains: | 230 V ~ 50 Hz |
| - Power: | 1800 watts |
| - Idle speed n_0 : | 4600 min^{-1} |
| - Saw blade: | $\text{Ø } 250 \times \text{Ø } 30 \times 3,2 \text{ mm}$ |
| - No. of teeth: | 60 |
| - Turning range: | $3 \times 45^\circ$ |
| - Panels max.: | 305 mm |
| - Mitre cut: | 0° to 45° to the left |
| - Cutting width at max 90° : | $305 \times 75 \text{ mm}$ |
| - Cutting width at max 45° : | $210 \times 75 \text{ mm}$ |
| - Cutting width at max. $2 \times 45^\circ$: | $210 \times 45 \text{ mm}$
width at double mitre cut |
| - Weight: | 20 kg |
| - Packing dimension: | $630 \times 430 \times 410 \text{ mm}$ |



As special accessory available:

- Additional saw blade
 $\text{Ø } 250 \times \text{Ø } 30 \times 3,2 \text{ mm}$; teeth = 36
- Additional saw blade
 $\text{Ø } 250 \times \text{Ø } 30 \times 3,2 \text{ mm}$; teeth = 60
- Additional saw blade
 $\text{Ø } 250 \times \text{Ø } 30 \times 3,2 \text{ mm}$; teeth = 80

Art.-No.: **45.020.37**

Bar-Code.: **4006825456141**

Art.-No.: **43.111.13**

Bar-Code.: **4006825503166**

Art.-No.: **43.111.12**

Bar-Code.: **4006825431247**