

ozito

METAL CUTTING SHEARS

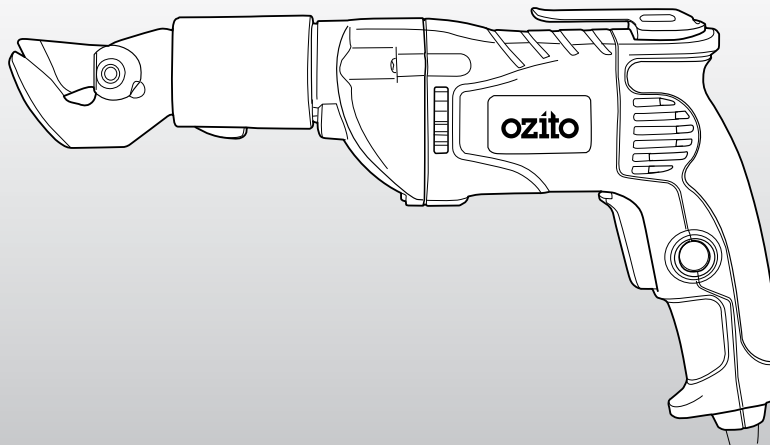
500W

INSTRUCTION MANUAL

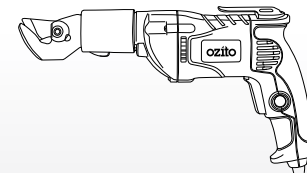
SPECIFICATIONS

Motor:	500W
No load speed:	0 - 1,600 rpm
Max. Thickness:	1.2mm
Tool weight:	2.2kg

ozito.com.au



WHAT'S IN THE BOX



Metal Cutting Shears



Hex Key

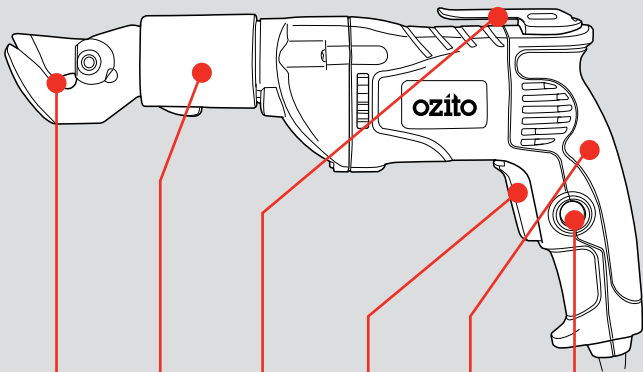
3 YEAR REPLACEMENT WARRANTY

MCS-5000

KNOW YOUR PRODUCT

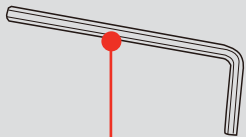
METAL CUTTING SHEARS

- 1 Shears
- 2 Shear Collar
- 3 Belt Clip
- 4 Trigger Switch
- 5 Sure Grip
- 6 Lock On Button



- 1
- 2
- 3
- 4
- 5
- 6

- 7 Hex Key



7

ONLINE MANUAL

Scan this QR Code with your mobile device to take you to the online manual.

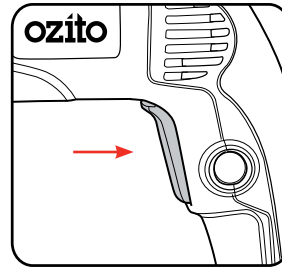


OPERATION

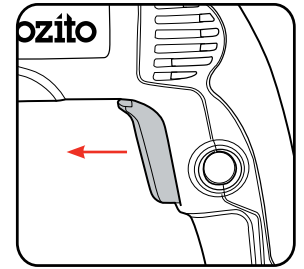
1. ON/OFF

The tool is recommended for use with a residual current device with a rated residual current of 30mA or less.

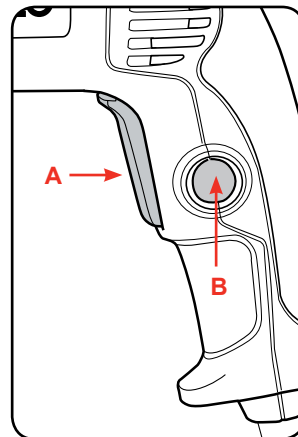
- 1. Squeeze trigger switch to turn on.



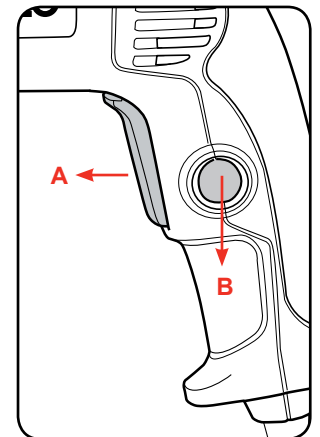
- 2. Release switch to turn off.



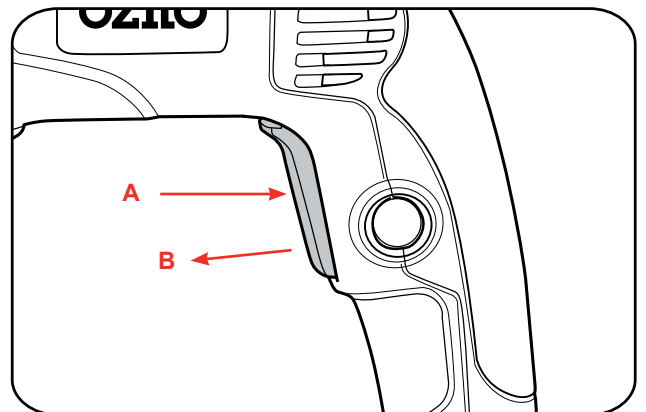
- 3. To lock the tool on, squeeze the trigger switch then the lock on button.



- 4. Release the trigger switch, then the lock on button.



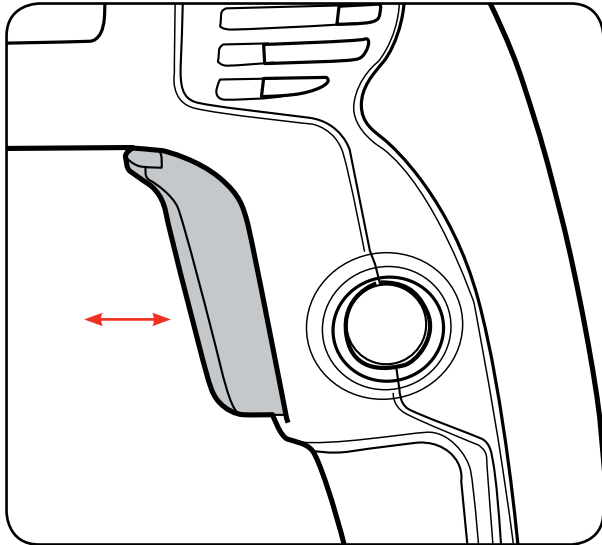
- 5. To unlock the tool, squeeze and release the trigger switch.



3 YEAR REPLACEMENT WARRANTY

2. VARIABLE SPEED

1. Vary the pressure on the trigger switch to change the speed of cutting to suit the job.

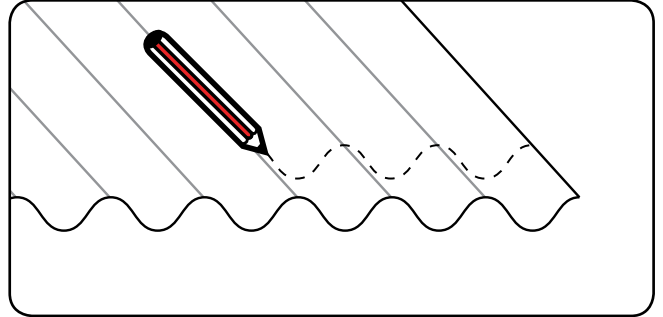


Slower ← → Faster

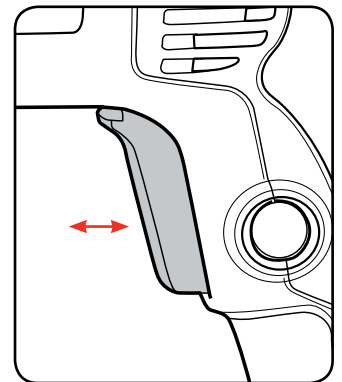
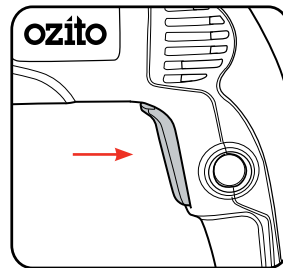
Note: When using the lock on button, the variable speed trigger can only be set to maximum speed.

3. PREPARATION

1. Mark your cutting line

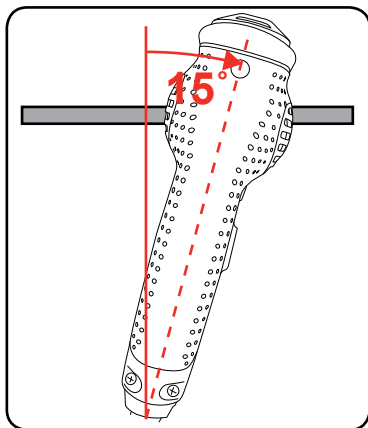


2. Start the tool and adjust the speed.

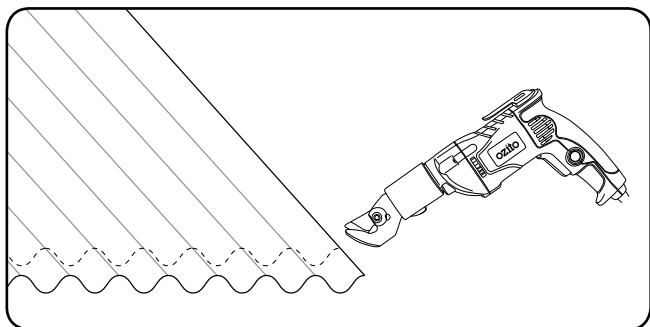


4. CUTTING

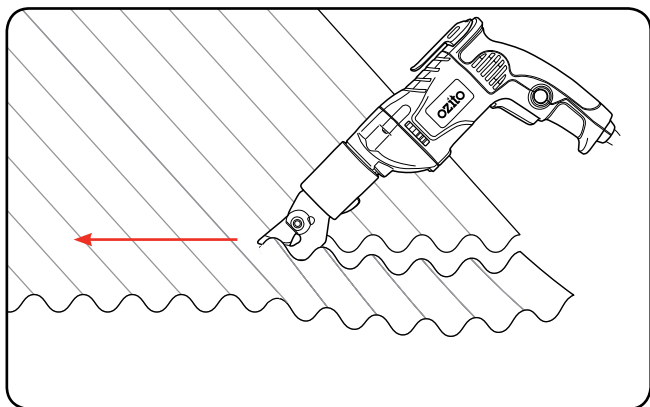
1. Tilt the tool sideways so that it is at an angle of approx. 15° to the workpiece.



2. Place the blades at the start of the cut.

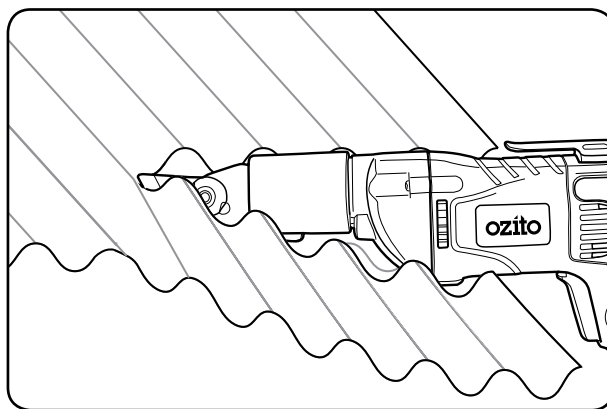
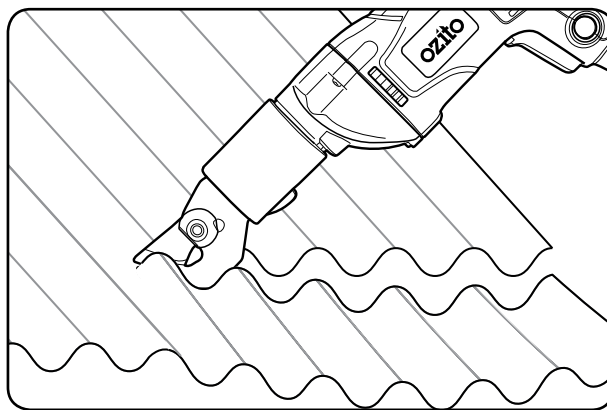


3. Move the blades along the cutting line with light pressure.



IMPORTANT! DO NOT FORCE THE BLADES. THE ANGLE OF THE TOOL IS CRITICAL TO THE PERFORMANCE OF THE TOOL. ENSURE THE CORRECT PROCEDURE IS FOLLOWED FOR OPTIMUM PERFORMANCE.

4. Tilt the tool up and down so as to follow the contours of the material, keeping it angled at 15°.



NOTE: Ensure that your workpiece is secured firmly when cutting.

MAINTENANCE

- Keep the vents of the metal cutting shears clean at all times, if possible, prevent foreign matter from entering the vents.
- After each use, blow air through the metal cutting shears housing to ensure it is free from all dust particles which may build up. Build up of dust particles may cause the metal cutting shears to overheat and fail.
- If the enclosure of the metal cutting shears requires cleaning, do not use solvents but a moist soft cloth only. Never let any liquid get inside the metal cutting shears; never immerse any part of the metal cutting shears into a liquid.
- As a minimum requirement, the shears should be greased with a general purpose grease after every 8 hours of use. This is primarily to prevent rust from accumulating on the blades.
- Sharpening should be carried out periodically to maintain a sharp edge on the blades. This process should be carried out by a specialist sharpening service.

Carbon Brushes



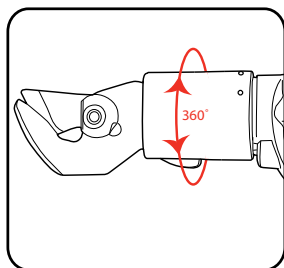
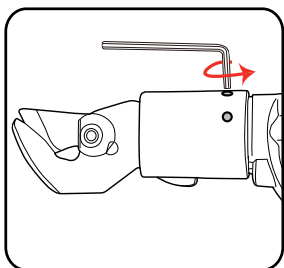
When the carbon brushes wear out, the metal cutting shears will spark and/or stop. Discontinue use as soon as this happens. They should be replaced prior to recommencing use of the metal cutting shears. Carbon brushes are a wearing component of the metal cutting shears therefore not covered under warranty. Continuing to use the metal cutting shears

when carbon brushes need to be replaced may cause permanent damage to the metal cutting shears. Carbon brushes will wear out after many uses but when the carbon brushes need to be replaced, take the metal cutting shears to an electrician or a power tool repairer for a quick and low cost replacement. Always replace both carbon brushes at the same time.

Note: Ozito Industries will not be responsible for any damage or injuries caused by the repair of the metal cutting shears by an unauthorised person or by mishandling of the metal cutting shears.

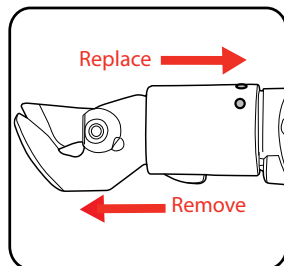
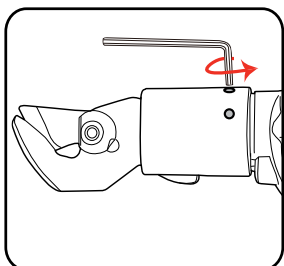
Adjusting the Shears Head

1. Loosen the two nuts on the shear collar with the hex key by making a 1/4 anticlockwise turn.
2. Rotate to desired position and secure by tightening both nuts on shears collar with a clockwise turn of the hex key.



Replacing the Shears Head

1. Loosen the two nuts on the shear collar with the hex key by making a 3/4 anticlockwise turn.
2. Remove the old head and replace with the new head.



3. To secure the head in place, tighten both nuts on the shear collar with a clockwise turn of the hex key.

TROUBLESHOOTING

Sparking visible through the housing air vents

A small amount of sparking may be visible through the housing vents. This is normal and does not indicate a problem.

Excessive sparking visible through the housing air vents and/or the drill failing to operate



May indicate the carbon brushes have worn out and need to be replaced. Carbon brushes should only be replaced by a qualified electrician or power tool repairer.

DESCRIPTION OF SYMBOLS

V	Volts	Hz	Hertz
~	Alternating current	W	Watts
/min	Revolutions or reciprocation per minute	n _o	No load speed
	Double insulated		Regulator compliance mark
	Warning		Read instruction manual
	Use eye protection		Use hearing protection

CARING FOR THE ENVIRONMENT



Power tools that are no longer usable should not be disposed of with household waste but in an environmentally friendly way. Please recycle where facilities exist. Check with your local council authority for recycling advice.

Recycling packaging reduces the need for landfill and raw materials. Reuse of recycled material decreases pollution in the environment. Please recycle packaging where facilities exist. Check with your local council authority for recycling advice.

SPARE PARTS

Carbon Brush, Pair	SPMCS5000-35
Eccentric Wheel Assembly	SPMCS5000-04
Shears	SPMCS5000-01

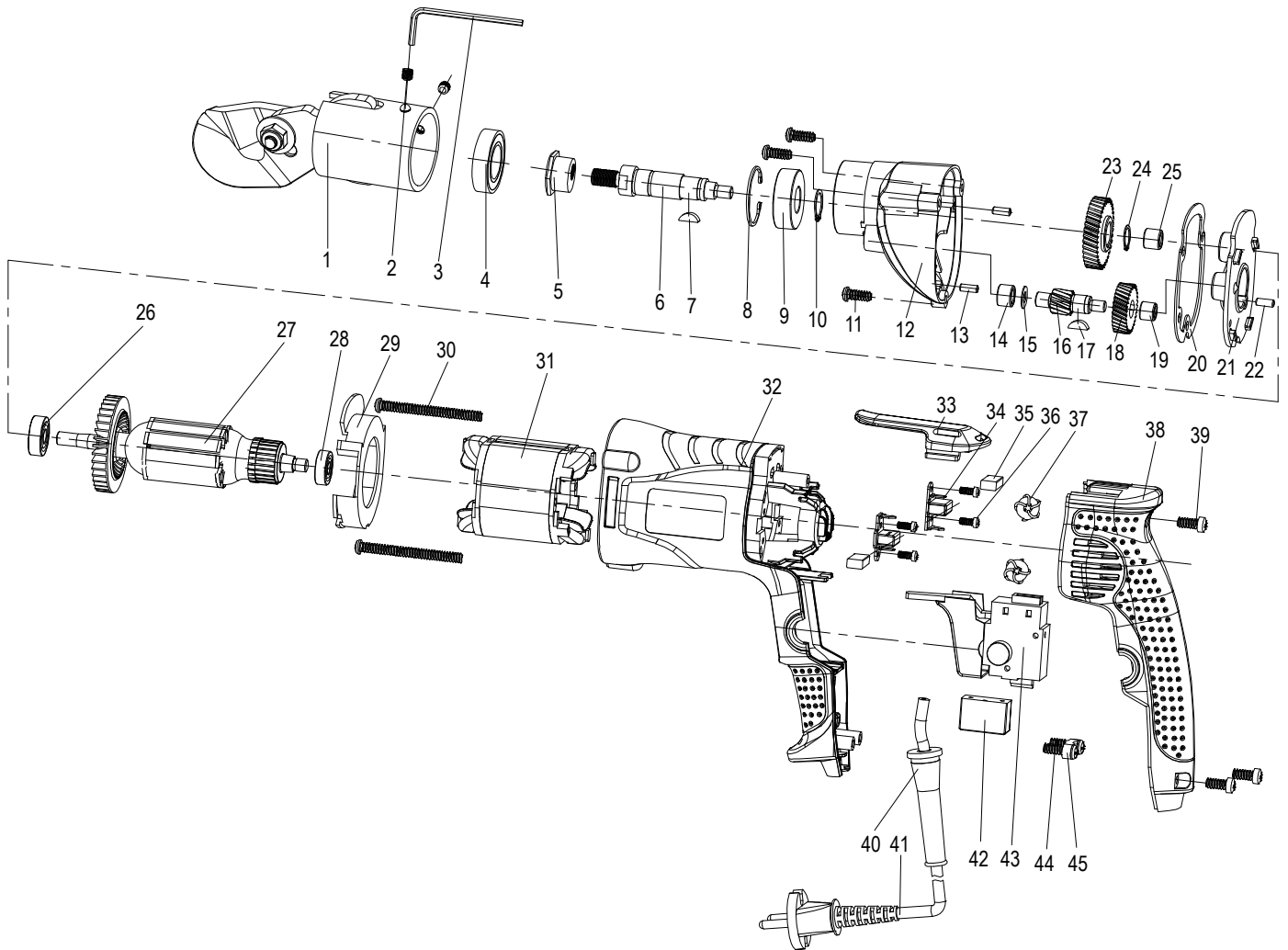
Spare parts can be ordered from the Special Orders Desk at your local Bunnings Warehouse.

For further information, or any parts not listed here, visit www.ozito.com.au or contact Ozito Customer Service:

Australia 1800 069 486

New Zealand 0508 069 486

E-mail: enquires@ozito.com.au



The following is a list of spare parts carried by Ozito.
Please contact Customer Service for any parts not listed.

Item No.	Description	Part No.
1-5	Shears Kit	SPMCS5000-01K
4	Eccentric Wheel Assembly	SPMCS5000-04
34	Carbon Brush Holder (Pair)	SPMCS5000-34
35	Carbon Brushes (Pair)	SPMCS5000-35
43	Switch	SPMCS5000-43

Item No.	Description	Part No.
----------	-------------	----------

How To Order

Available spare parts can be ordered through the Special Orders Desk at any Bunnings Warehouse. If you have any further questions, please contact Ozito Customer Service on:

Australia: 1800 069 486

New Zealand: 0508 069 486

enquiries@ozito.com.au

ELECTRICAL SAFETY



WARNING! When using mains-powered tools, basic safety precautions, including the following, should always be followed to reduce risk of fire, electric shock, personal injury and material damage.

Read the whole manual carefully and make sure you know how to switch the tool off in an emergency, before operating the tool.

Save these instructions and other documents supplied with this tool for future reference.

The electric motor has been designed for 230V and 240V only. Always check that the power supply corresponds to the voltage on the rating plate.

Note: The supply of 230V and 240V on Ozito tools are interchangeable for Australia and New Zealand.



This tool is double insulated in accordance with AS/NZS 60745-1; therefore no earth wire is required.

If the supply cord is damaged, it must be replaced by an electrician or a power tool repairer in order to avoid a hazard.

Note: Double insulation does not take the place of normal safety precautions when operating this tool. The insulation system is for added protection against injury resulting from a possible electrical insulation failure within the tool.

Using an Extension Lead

Always use an approved extension lead suitable for the power input of this tool. Before use, inspect the extension lead for signs of damage, wear and ageing. Replace the extension lead if damaged or defective.

When using an extension lead on a reel, always unwind the lead completely. Use of an extension lead not suitable for the power input of the tool or which is damaged or defective may result in a risk of fire and electric shock.

GENERAL POWER TOOL SAFETY WARNINGS



WARNING! Read all safety warnings and all instructions. Failure to follow the warnings and instructions may result in electric shock, fire and/or serious injury.

Save all warnings and instructions for future reference. The term "power tool" in the warnings refers to your mains-operated (corded) power tool or battery-operated (cordless) power tool.

1. Work area safety

- Keep work area clean and well lit. Cluttered or dark areas invite accidents.
- Do not operate power tools in explosive atmospheres, such as in the presence of flammable liquids, gases or dust. Power tools create sparks which may ignite the dust or fumes.
- Keep children and bystanders away while operating a power tool. Distractions can cause you to lose control.

2. Electrical safety

- Power tool plugs must match the outlet. Never modify the plug in any way. Do not use any adapter plugs with earthed (grounded) power tools. Unmodified plugs and matching outlets will reduce risk of electric shock.
- Avoid body contact with earthed or grounded surfaces, such as pipes, radiators, ranges and refrigerators. There is an increased risk of electric shock if your body is earthed or grounded.
- Do not expose power tools to rain or wet conditions. Water entering a power tool will increase the risk of electric shock.
- Do not abuse the cord. Never use the cord for carrying, pulling or unplugging the power tool. Keep cord away from heat, oil, sharp edges or moving parts. Damaged or entangled cords increase the risk of electric shock.
- When operating a power tool outdoors, use an extension cord suitable for outdoor use. Use of a cord suitable for outdoor use reduces the risk of electric shock.
- If operating a power tool in a damp location is unavoidable, use a residual current device (RCD) protected supply. Use of an RCD reduces the risk of electric shock.

3. Personal safety

- Stay alert, watch what you are doing and use common sense when operating a power tool. Do not use a power tool while you are tired or under the influence of drugs, alcohol or medication. A moment of inattention while operating power tools may result in serious personal injury.
- Use personal protective equipment. Always wear eye protection. Protective equipment such as dust mask, non-skid safety shoes, hard hat, or hearing protection used for appropriate conditions will reduce personal injuries.
- Prevent unintentional starting. Ensure the switch is in the off-position before connecting to power source and/or battery pack, picking up or carrying the tool. Carrying power tools with your finger on the switch or energising power tools that have the switch on invites accidents.

- Remove any adjusting key or wrench before turning the power tool on. A wrench or a key left attached to a rotating part of the power tool may result in personal injury.
 - Do not overreach. Keep proper footing and balance at all times. This enables better control of the power tool in unexpected situations.
 - Dress properly. Do not wear loose clothing or jewellery. Keep your hair, clothing and gloves away from moving parts. Loose clothes, jewellery or long hair can be caught in moving parts.
 - If devices are provided for the connection of dust extraction and collection facilities, ensure these are connected and properly used. Use of dust collection can reduce dust-related hazards.
- #### 4. Power tool use and care
- Do not force the power tool. Use the correct power tool for your application. The correct power tool will do the job better and safer at the rate for which it was designed.
 - Do not use the power tool if the switch does not turn it on and off. Any power tool that cannot be controlled with the switch is dangerous and must be repaired.
 - Disconnect the plug from the power source and/or the battery pack from the power tool before making any adjustments, changing accessories, or storing power tools. Such preventive safety measures reduce the risk of starting the power tool accidentally.
 - Store idle power tools out of the reach of children and do not allow persons unfamiliar with the power tool or these instructions to operate the power tool. Power tools are dangerous in the hands of untrained users.
 - Maintain power tools. Check for misalignment or binding of moving parts, breakage of parts and any other condition that may affect the power tool's operation. If damaged, have the power tool repaired before use. Many accidents are caused by poorly maintained power tools.
 - Keep cutting tools sharp and clean. Properly maintained cutting tools with sharp cutting edges are less likely to bind and are easier to control.
 - Use the power tool, accessories and tool bits etc. in accordance with these instructions, taking into account the working conditions and the work to be performed. Use of the power tool for operations different from those intended could result in a hazardous situation.
- #### 5. Service
- Have your power tool serviced by a qualified repair person using only identical replacement parts. This will ensure that the safety of the power tool is maintained.
 - If the supply cord is damaged, it must be replaced by the manufacturer, its service agent or similarly qualified persons in order to avoid a hazard.

METAL CUTTING SHEARS SAFETY WARNINGS



WARNING! The tool is recommended for use with a residual current device with a rated residual current of 30mA or less.

1. Hold power tool by insulated gripping surfaces when performing an operation where the cutting accessory may contact hidden wiring or its own cord. Cutting accessory contacting a "live" wire may make exposed metal parts of the power tool "live" and could give the operator an electric shock.

2. Always wear safety goggles to protect your eyes, gloves to protect your hands, and wear other appropriate safety items for your protection whilst cutting with the tool.

WARRANTY

IN ORDER TO MAKE A CLAIM UNDER THIS WARRANTY YOU MUST RETURN THE PRODUCT TO YOUR NEAREST BUNNINGS WAREHOUSE WITH YOUR BUNNINGS REGISTER RECEIPT. PRIOR TO RETURNING YOUR PRODUCT FOR WARRANTY PLEASE TELEPHONE OUR CUSTOMER SERVICE HELPLINE:

Australia 1800 069 486

New Zealand 0508 069 486

TO ENSURE A SPEEDY RESPONSE PLEASE HAVE THE MODEL NUMBER AND DATE OF PURCHASE AVAILABLE. A CUSTOMER SERVICE REPRESENTATIVE WILL TAKE YOUR CALL AND ANSWER ANY QUESTIONS YOU MAY HAVE RELATING TO THE WARRANTY POLICY OR PROCEDURE.

The benefits provided under this warranty are in addition to other rights and remedies which are available to you at law.

Our goods come with guarantees that cannot be excluded at law. You are entitled to a replacement or refund for a major failure and for compensation for any other reasonably foreseeable loss or damage. You are also entitled to have the goods repaired or replaced if the goods fail to be of acceptable quality and the failure does not amount to a major failure.

Generally you will be responsible for all costs associated with a claim under this warranty, however, where you have suffered any additional direct loss as a result of a defective product you may be able to claim such expenses by contacting our customer service helpline above.

3 YEAR REPLACEMENT WARRANTY

Your product is guaranteed for a period of **36 months from the original date of purchase** and is intended for DIY (Do It Yourself) use only. If a product is defective it will be replaced in accordance with the terms of this warranty. Warranty excludes consumable parts, for example: carbon brushes.

WARNING

The following actions will result in the warranty being void.

- If the tool has been operated on a supply voltage other than that specified on the tool.
- If the tool shows signs of damage or defects caused by or resulting from abuse, accidents or alterations.
- Failure to perform maintenance as set out within the instruction manual.
- If the tool is disassembled or tampered with in any way.
- Professional, industrial or high frequency use.