

## Log splitter HSP 6/104 D

Art.-No.: **34.320.50**

Bar code: 4006825535129

Sales unit: 2 pcs/pallet

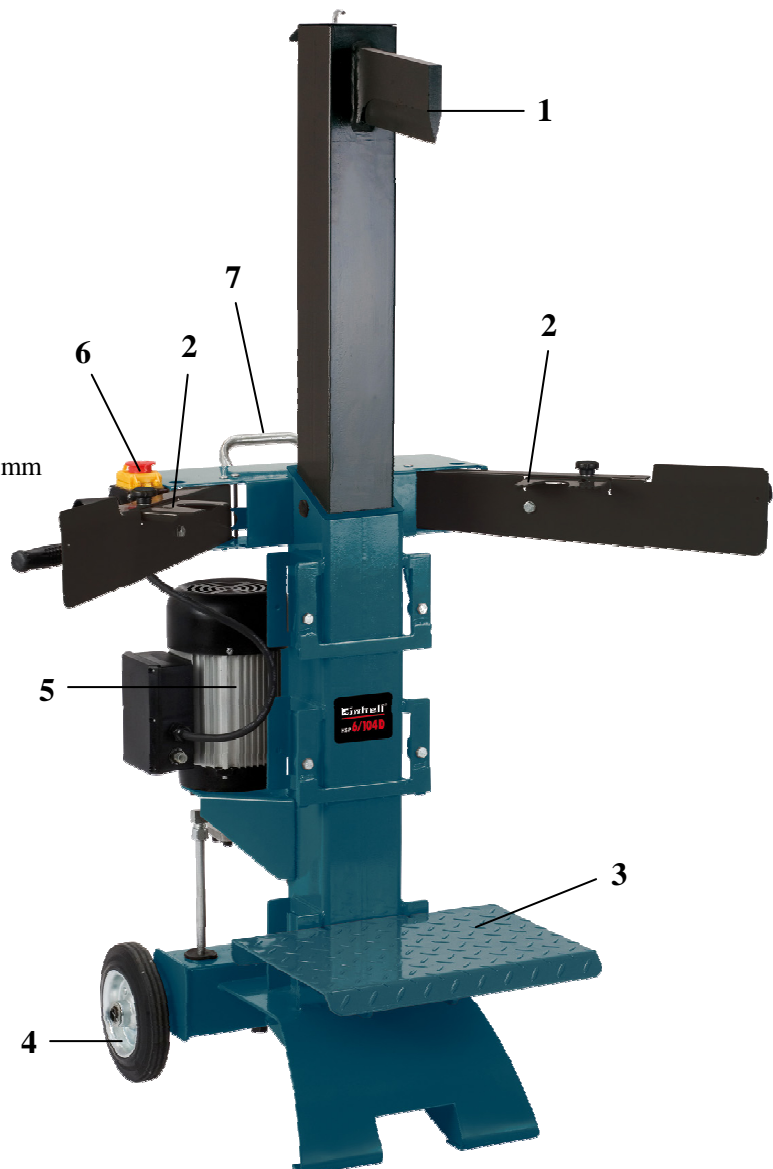
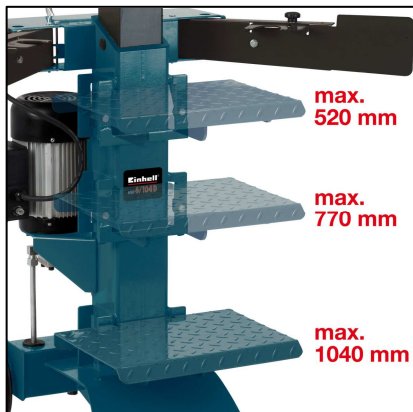
Powerful log splitter with a splitting force of 6 t splits wood with log length up to 104 cm by a 3-fold height adjustable working table. By two stable wheels in the metal frame the log splitter is easily to transport. Large plastic guide brackets between moving column and lower column care for little wearing and longevity. By individual adjustment of the return height from the splitting wedge a fast work progress is ensured.

### Features:

- Splitting wedge (1)
- Adjustable log holding plates (2)
- 3-fold height adjustable working table made of checkered sheet steel (3)
- Stable wheels for easy transport (4)
- Powerful 400 V engine (5)
- On-/Off switch with no-load actuator and emergency stop function (6)
- Transport handle (7)
- Adjustable splitting wedge height

### Technical data:

- Motor: 400 V ~ 50 Hz
- Power: 2.2 kW
- Splitting force: 6 t
- Cylinder stroke: 480 mm
- Log length: 150 – 1,040 mm
- Log diameter: 100 – 320 mm
- Filling quantity oil tank: 2.5 – 4 l
- Gewicht: approx. 104 kg
- Verpackungsmaß: 1,055 x 575 x 545 mm



Abbildungen können nicht im Serien-Lieferumfang enthaltenes Zubehör darstellen // Illustrations can contain accessories, which are not included in standard extent of delivery.

Abbildungen ähnlich, produktionsbedingte Abweichung vorbehalten // Illustration similar (in design), production-wise modifications reserved

File: S:\shared-pool\Product-Dokumentation\T-Produktbeschreibung\30\_n0t\Originale\_Englisch\_PA04\3432050\_01016.doc

Erstelldatum / create date: 23.10.2006 10:49:00

Aktualisiert / up dated: 18.02.2009