

Cross cut and mitre Saw with Laser KGSL 251 UG

Art.-No.: **43.001.40**

Bar-Code: **4006825509878**

Sales Unit: **1 pc**

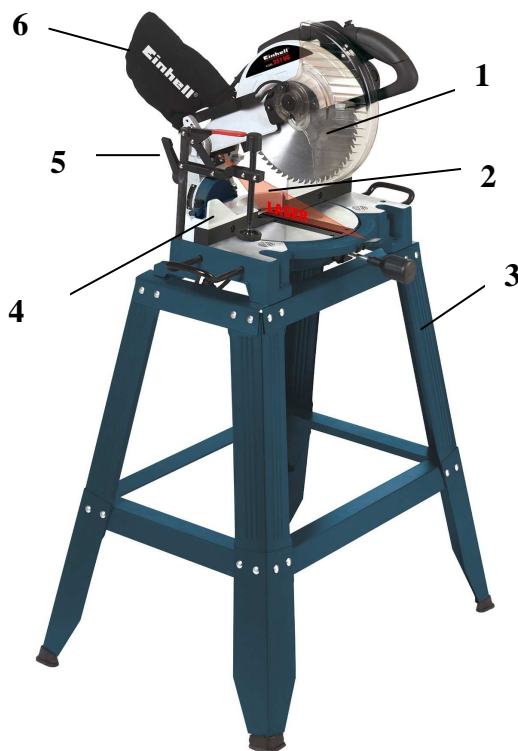
The cross-cut and mitre saw KGSL 251 UG allows a quick and precise cutting of all types of wood. With the tilting and turning saw head double mitre cuts are possible. The Mitre Saw is equipped with an additional laser function for the highest cutting accuracy. Due to the serial undercarriage the saw can be used in optimal working height position. The removable plastic guide allows tailor to panels up to a max. width of 155 mm in one cut (up to 28 mm work piece thickness).

Features:

- Carbide tipped saw blade (1)
- **Inclusive Laser module (2)**
- Rotation table with precise angle setting for mitre cuts from -45° to $+45^\circ$ with interlock settings
- Saw head can be tilted from 0° to $+45^\circ$
- Undercarriage (3)
- Removable plastic guide to raise the cutting width (4)
- Clamping device for fixing the work piece (5)
- incl. special transport locking and dust bag (6)

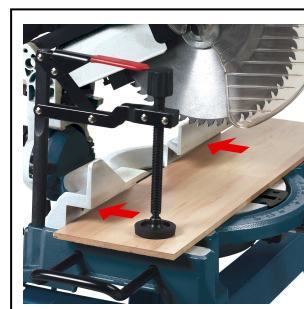
Technical data:

- Mains: 230 V ~ 50 Hz
- Power: 1.800 watts
- Idle speed n_0 : 4.800 min^{-1}
- Carbide tipped saw blade: $\varnothing 250 \times \varnothing 30 \times 3.0 \text{ mm}$
- Number of teeth: 60
- Tilting range: $-45^\circ/0^\circ/+45^\circ$
- Mitre cutting: 0° to 45° to the left
- Cutting width $90^\circ \times 90^\circ$:
 - until 28 mm working piece height: 155 x 65 mm
 - above 28 mm working piece height: 125 x 90 mm
- Cutting width $90^\circ \times 45^\circ$:
 - until 28 mm working piece height: 120 x 28 mm
 - above 28 mm working piece height: 90 x 90 mm
- Cutting width $45^\circ \times 45^\circ$: 90 x 45 mm (Double mitre cuts)
- Weight: approx. 23 kg
- Packing dimension: 520 x 460 x 440 mm



As special accessory available:

- Carbide tipped saw blade **Art.-No.: 43.111.10**
 $\varnothing 250 \times \varnothing 30 \text{ mm } 24 \text{ Z}$ **Bar Code: 4006825431223**
- Carbide tipped saw blade **Art.-No.: 43.111.13**
 $\varnothing 250 \times \varnothing 30 \text{ mm } 60 \text{ Z}$ **Bar Code: 4006825503166**



- Carbide tipped saw bl. **Art.-No.: 43.111.11**
 $\varnothing 250 \times \varnothing 30 \text{ mm } 48 \text{ Z}$ **Bar Code: 4006825431230**

Abbildungen können nicht im Serien-Lieferumfang enthaltenes Zubehör darstellen / Illustrations can contain accessories, which are not included in standard extent of delivery.

Abbildungen ähnlich, produktionsbedingte Abweichung vorbehalten / Illustration similar (in design), production-wise modifications reserved

File: G:\Webshop\T-Produktbeschreibung\60\Originale_Englisch_PA04\4300140_01015.doc

Erstelldatum / create date: 21.04.2005 11:56

Aktualisiert / up dated: 29.08.2005