



Einhell
EXPERT

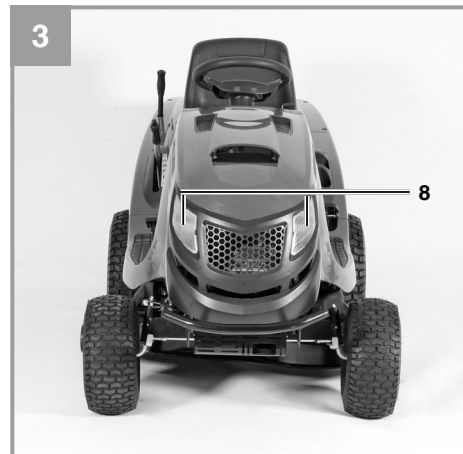
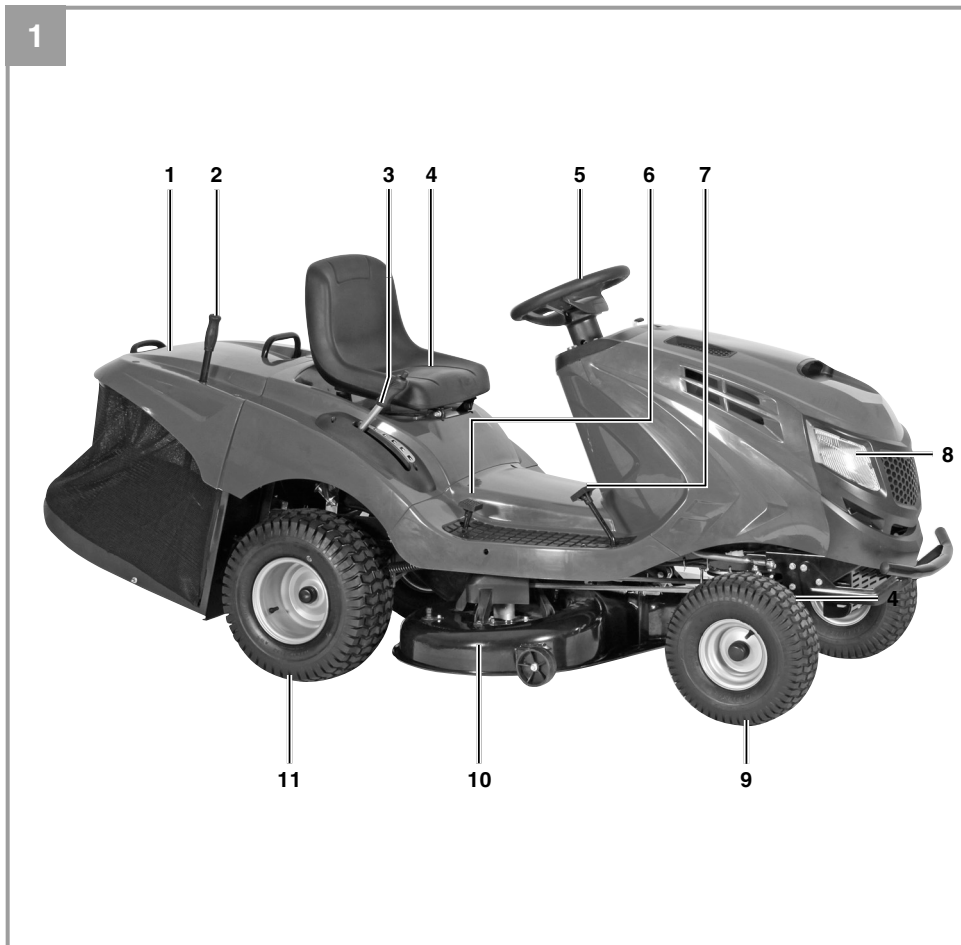
GE-TM 102 B&S

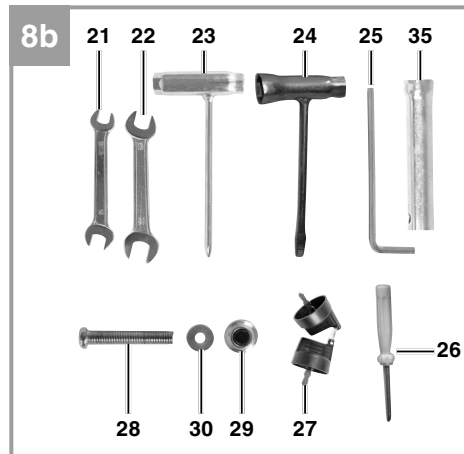
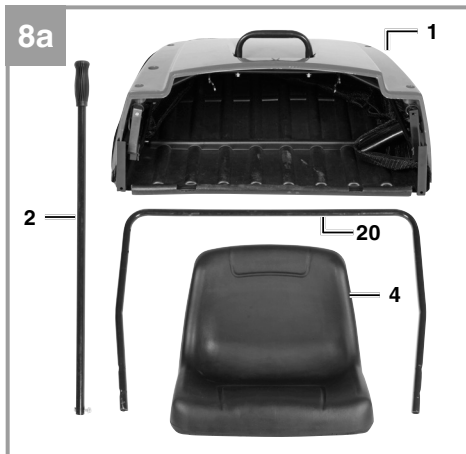
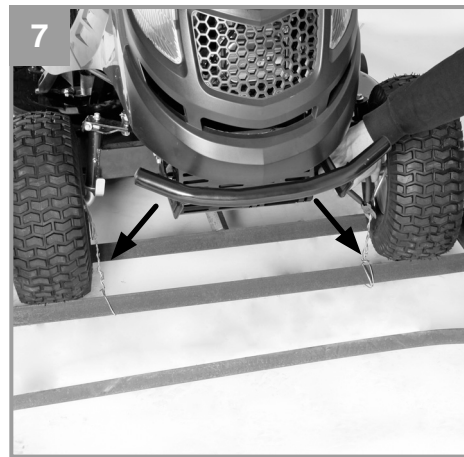
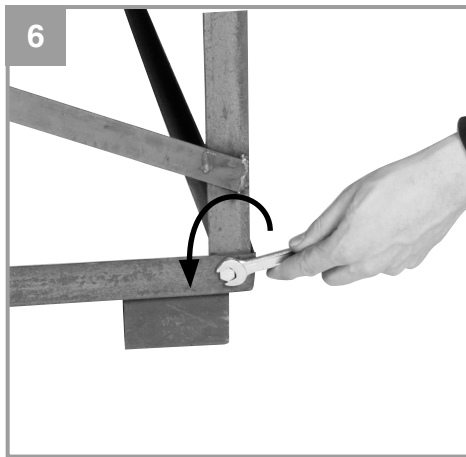
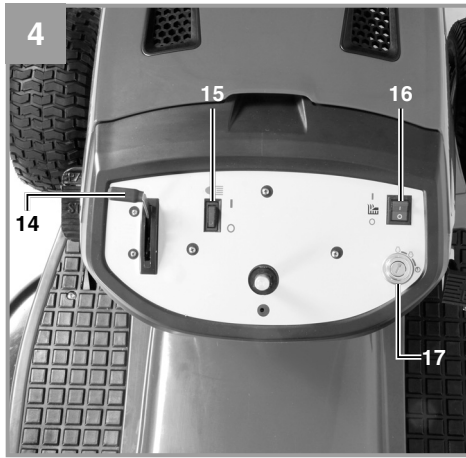
-
- D** Produktabbildungen
zur Originalbetriebsanleitung
Traktor-Rasenmäher
- GB** Product Illustrations for the
Original Operating Instructions
Lawn Tractor
- F** Illustrations du produit pour le
mode d'emploi d'origine
Tracteur tondeuse

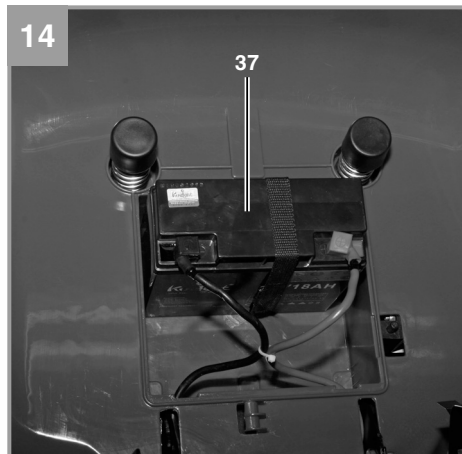
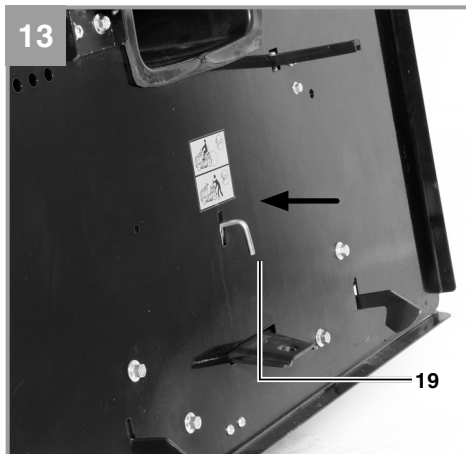
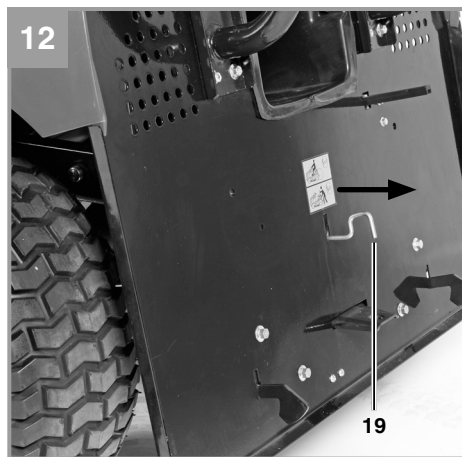
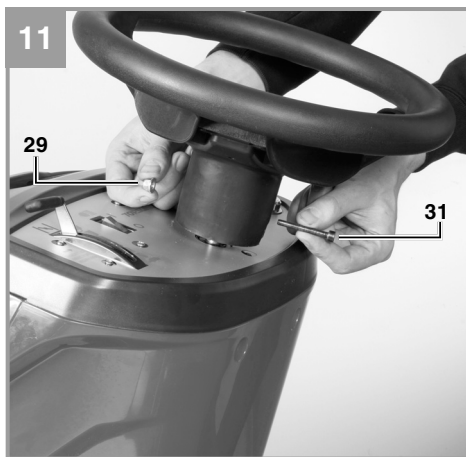
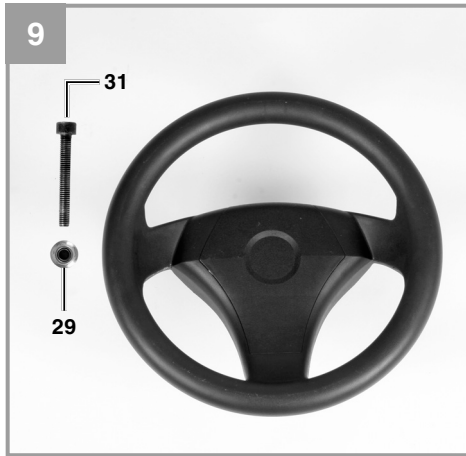
7 CE

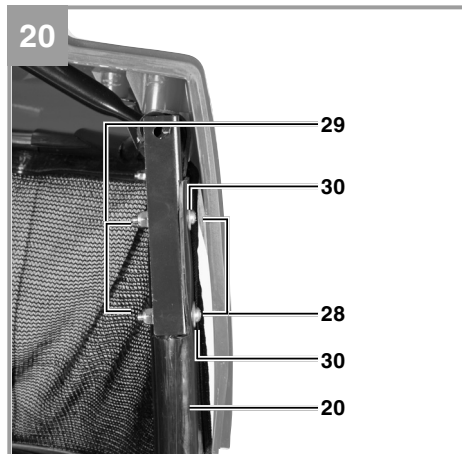
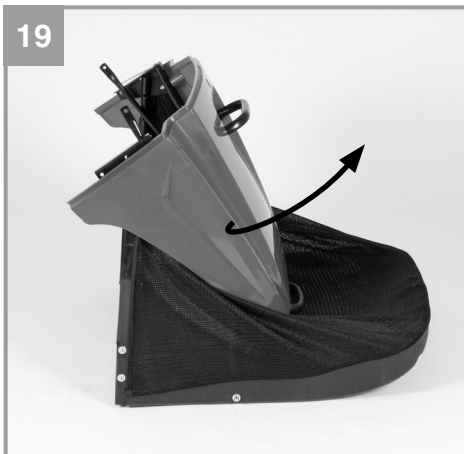
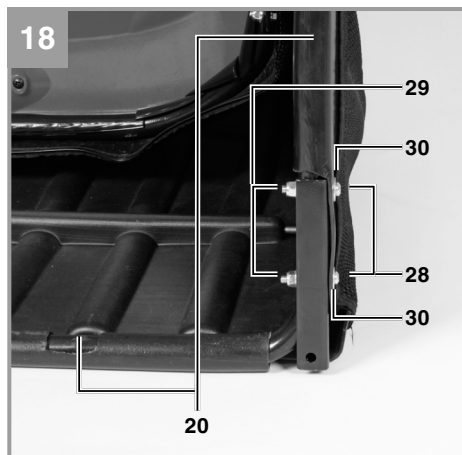
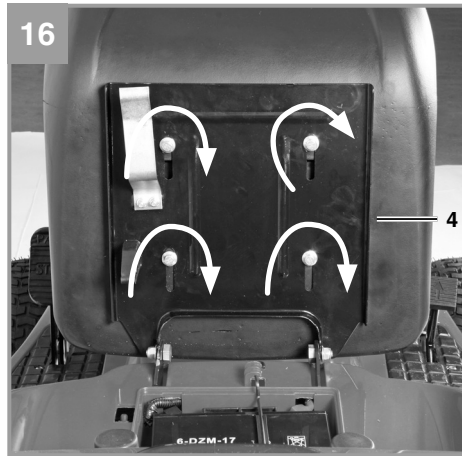
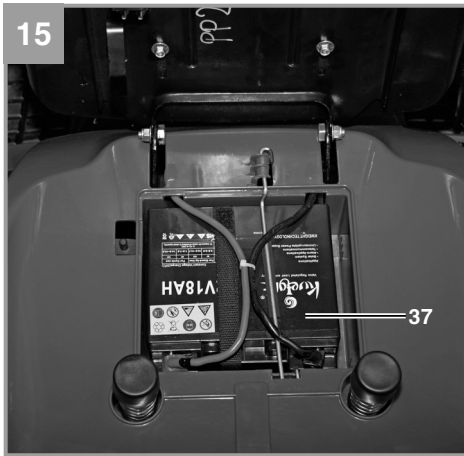
Art.-Nr.: 34.006.20

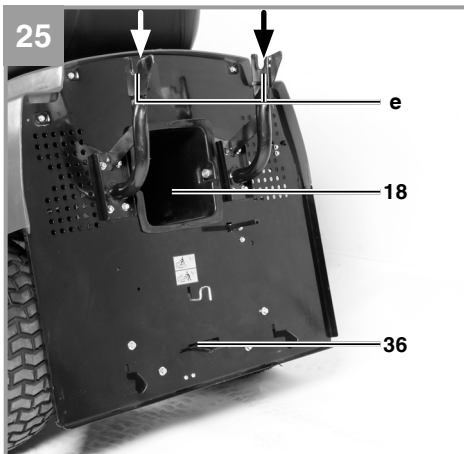
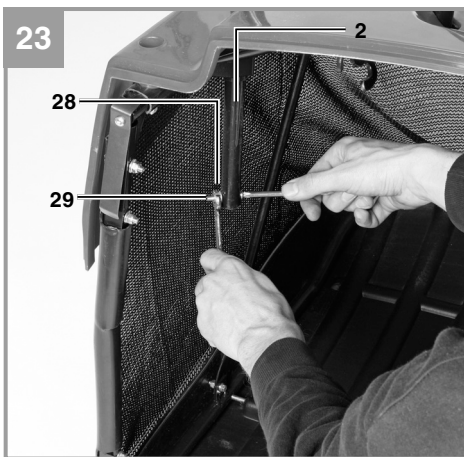
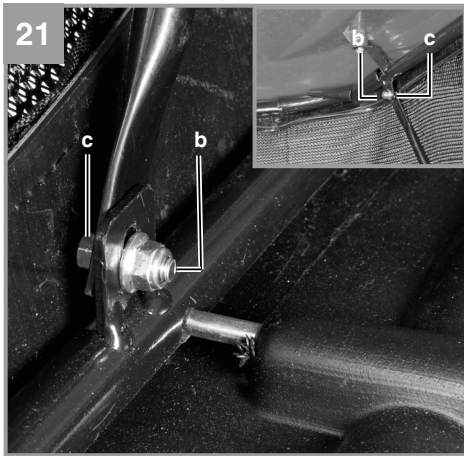
I.-Nr.: 11042

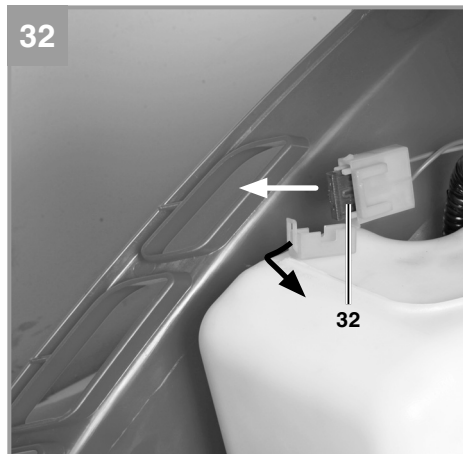
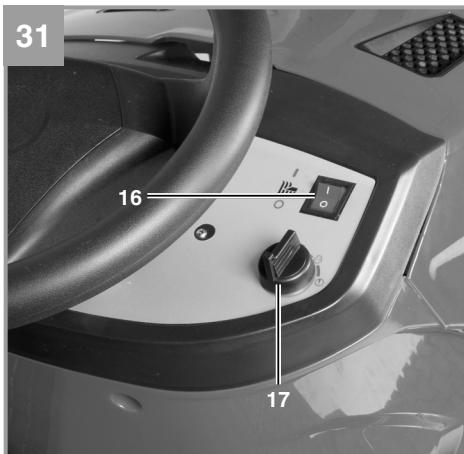
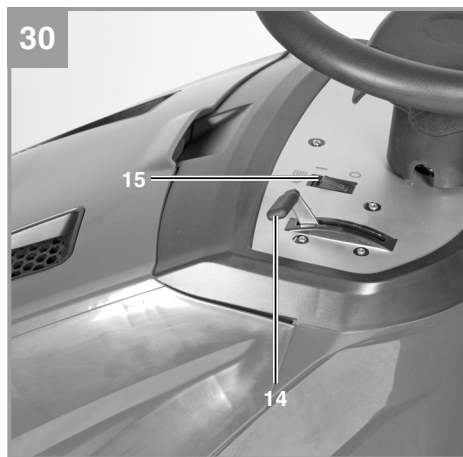
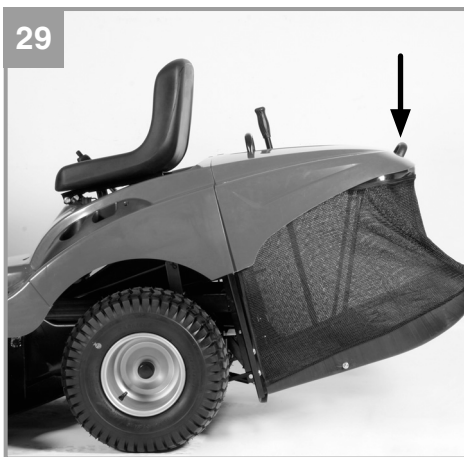
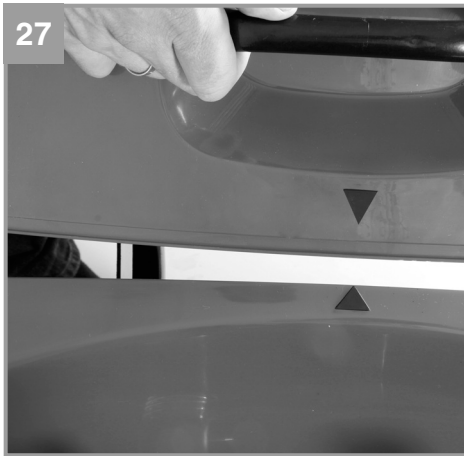


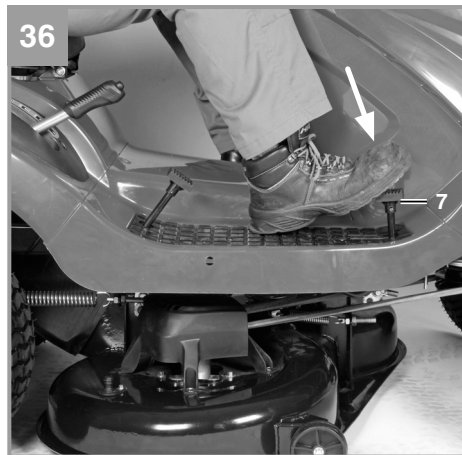
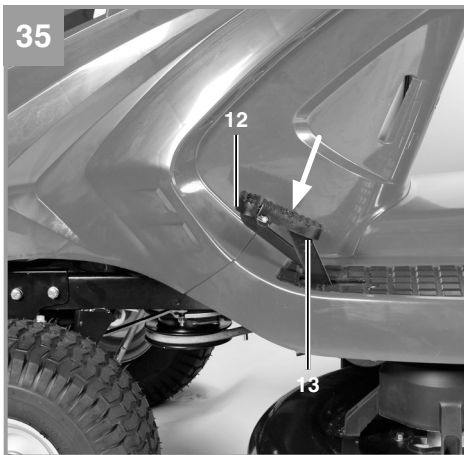
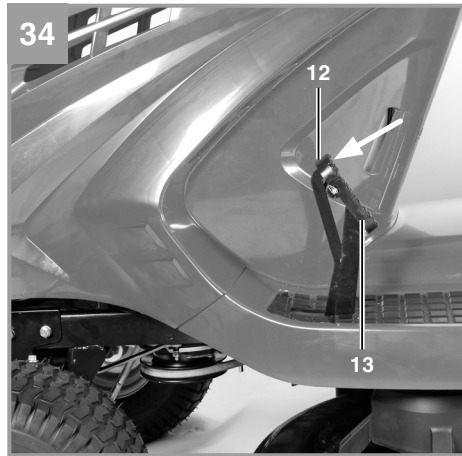
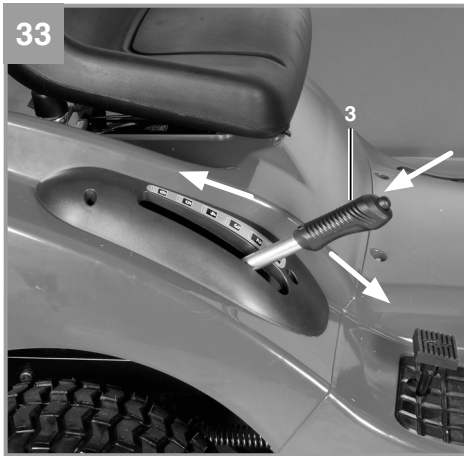


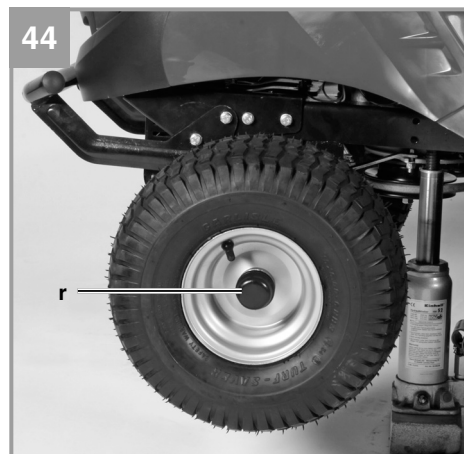
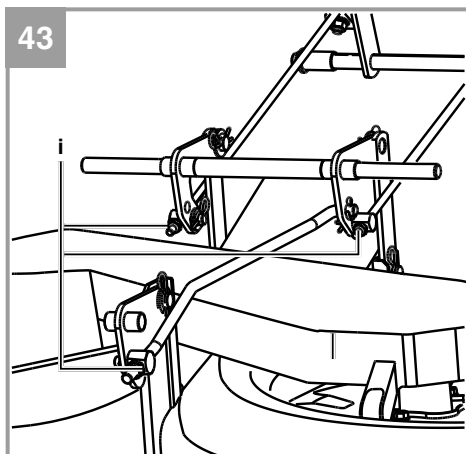
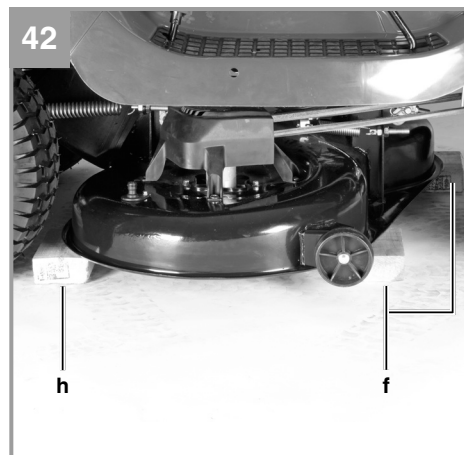
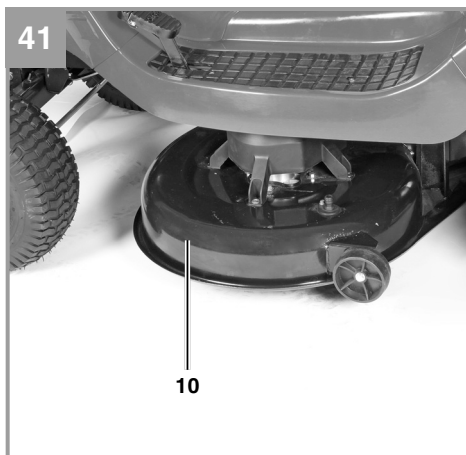
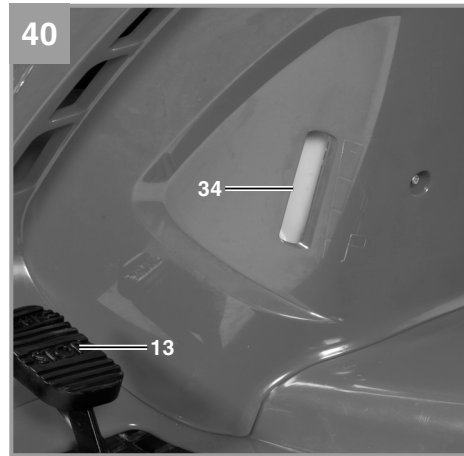
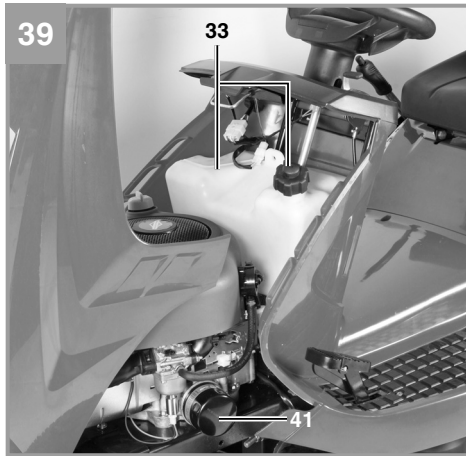


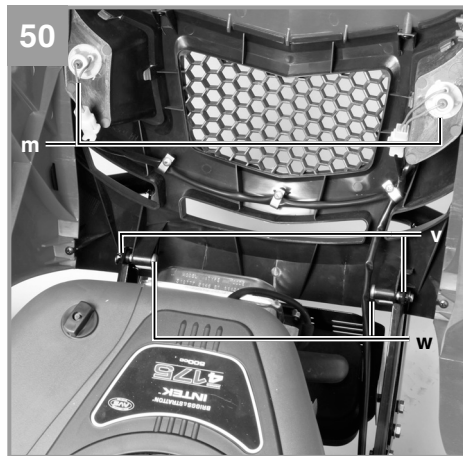
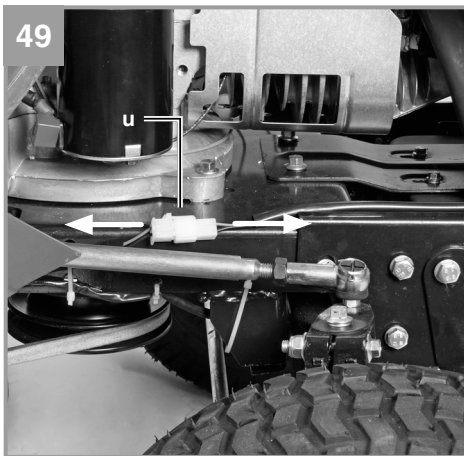
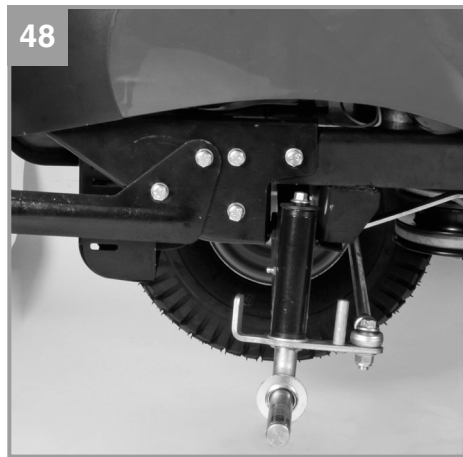
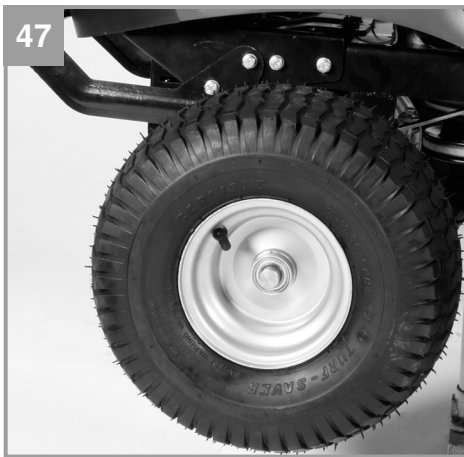
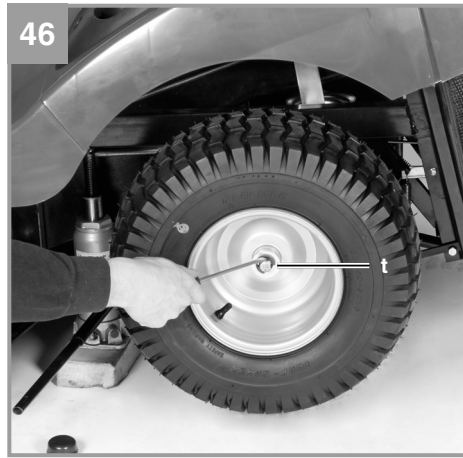


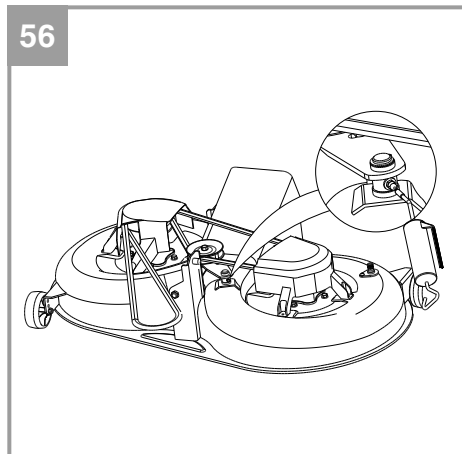
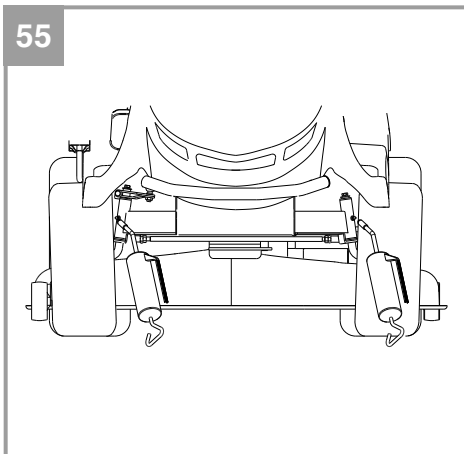
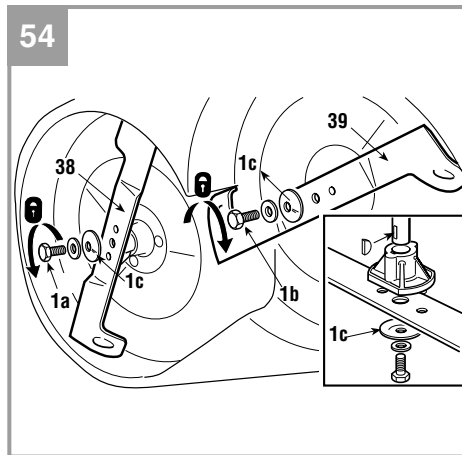
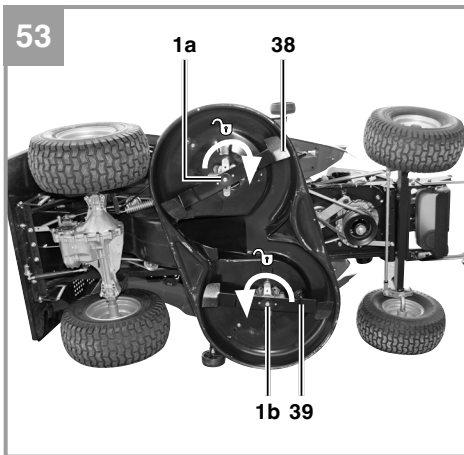
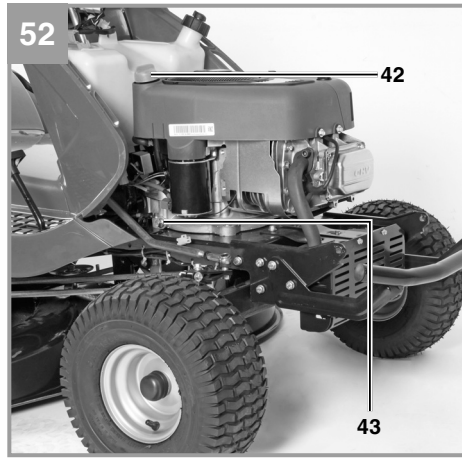


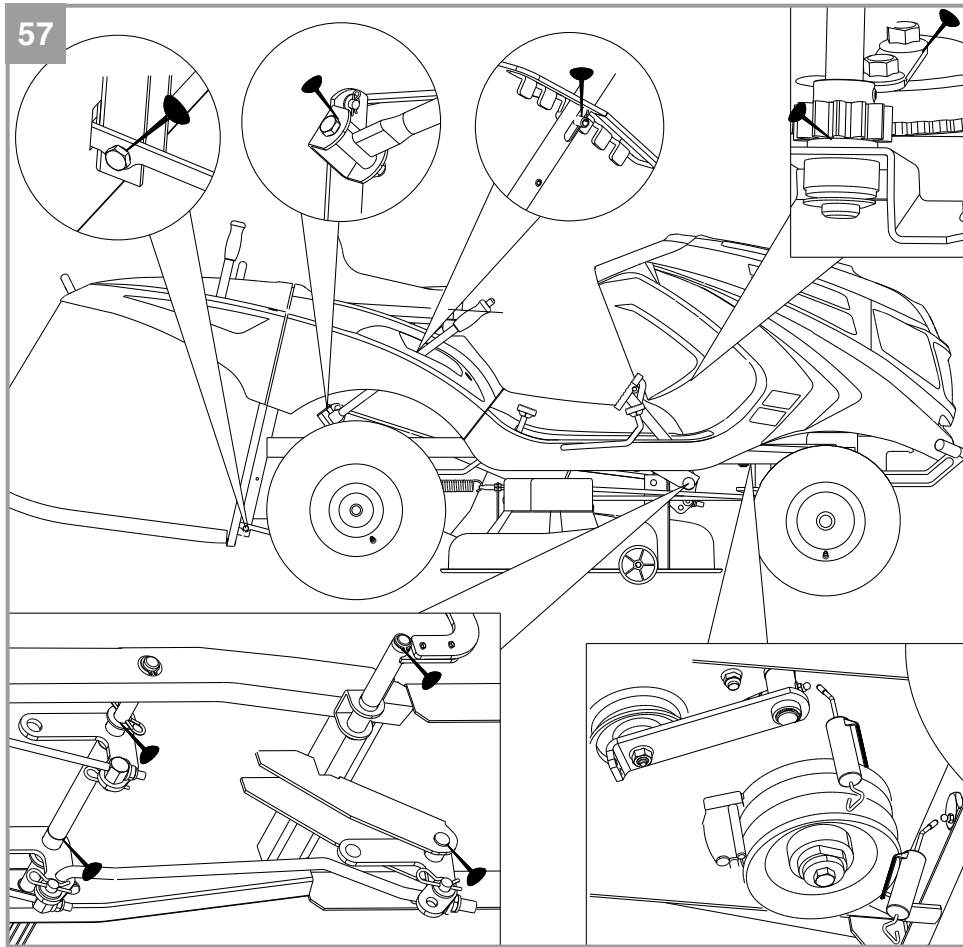


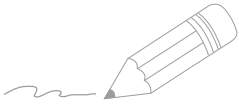




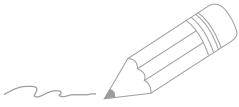




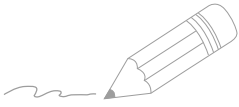




Two horizontal lines are positioned to the right of the pencil illustration. Below these, the page contains 25 additional horizontal lines, providing a ruled area for writing or drawing.



Two horizontal lines are positioned to the right of the pencil illustration. Below these, the page contains 25 additional horizontal lines, providing a total of 27 lines for writing.



Two horizontal lines are positioned to the right of the pencil illustration. Below these, the page contains 25 additional horizontal lines, providing a template for writing or drawing.



EH 11/2012 (01)