

Wing Gate Drive AFA 2601

Art.-No.: **21.115.31**

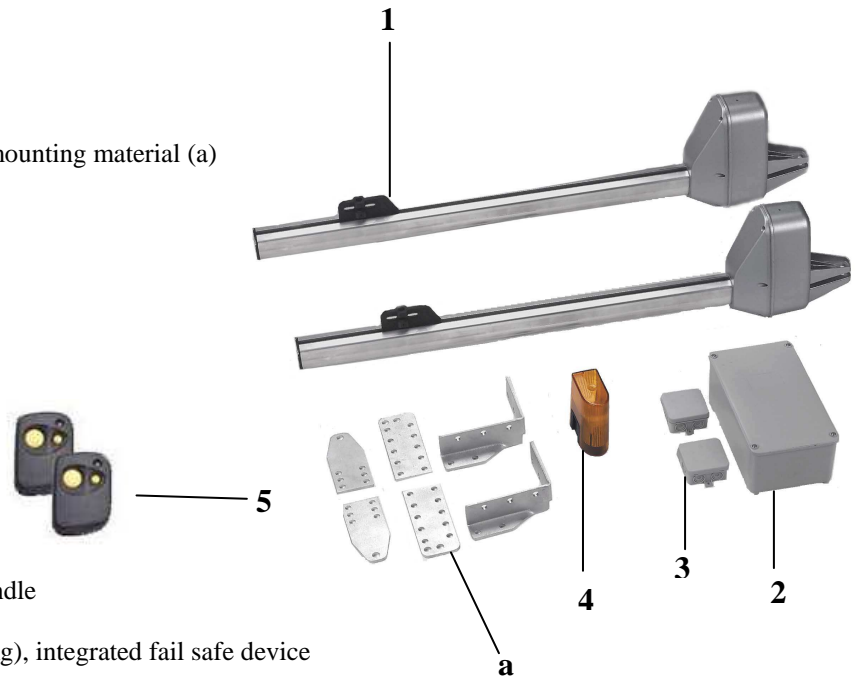
bar code: 4006825508079

sales unit: 1 pc

Universal type wing gate drive for opening of yard- or garden wing gates.

Supplied with:

- 2 pcs pre-assembled drive unit (1) incl. mounting material (a) and special cables (without illustration)
- Control unit pre-assembled (2)
- 2 pcs Junction cable boxes (3)
- Flash light (4)
- 2 pcs 6-channel-mini-transmitter (5)
HS 434/6 art.-no.21.001.95



Technical data:

- Drive unit: work gear spindle
- Travel range: max. 550 mm
- Pulling force: 1200 N (120 kg), integrated fail safe device
- Mains: 230 V~ /50 Hz
- Operating frequency: 434 MHz
- Operating temperature: -20°C until +50°C
- Weight: 14,0 kg
- Packing dimensions: 990 x 250 x 240 mm

Very fast installation system:

- A special feature to be pointed at, is the long travel range and the closed in / protected drive. These features make the unit applicable for a larger range of common type of gates and provide good protection against all type of weather influences.
- Microprocessor control
- Automatic end-stop registration (Impulse counting process)
- Individual setting of automatic close
- **Transmitter code manipulation protection blocks the manipulation in the receiver part by unauthorized codes.**
- Supplied with factory installed code setting
- Suitable for 12 v battery operation, i. e. energy station

As special accessory available:

HS 434/6 6-channel mini-transmitter

Art.-No.: **21.001.95**

Bar Code: 4006825213522