

GB

Original operating instructions  
Compressor

**Einhell**<sup>®</sup>

**7**

Art.-Nr.: 40.103.51

I.-Nr.: 11010

BT-AC **230/24**



Ⓢ Note the instructions for use!



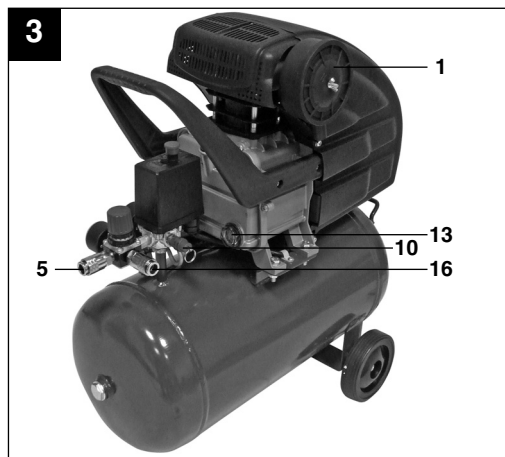
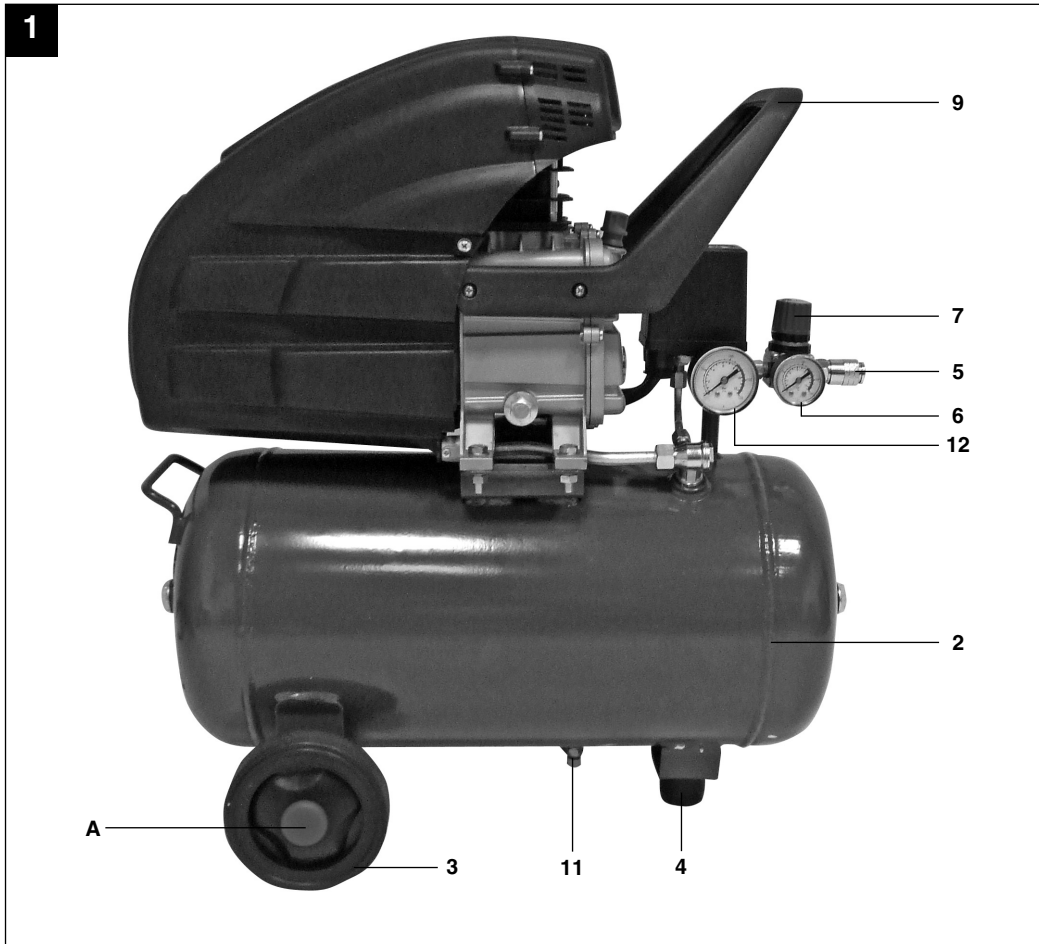
Ⓢ Wear ear muffs!

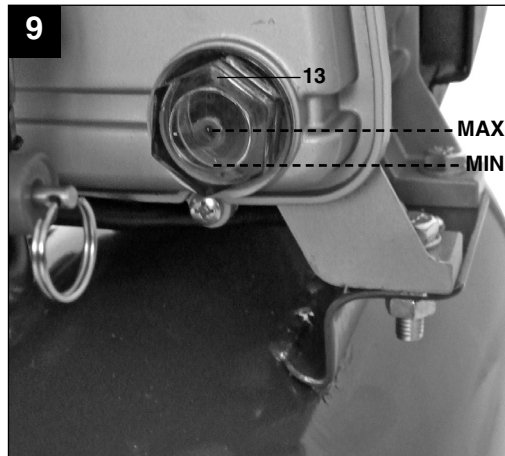
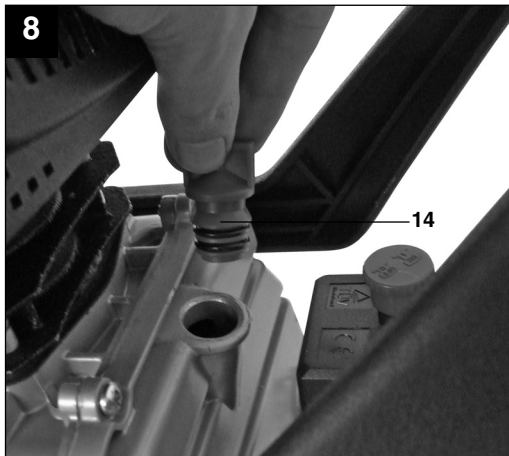
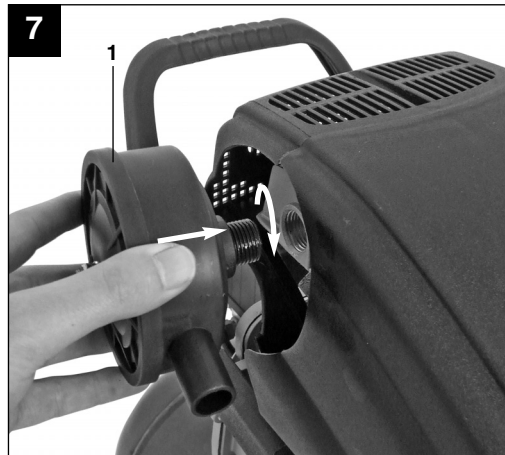
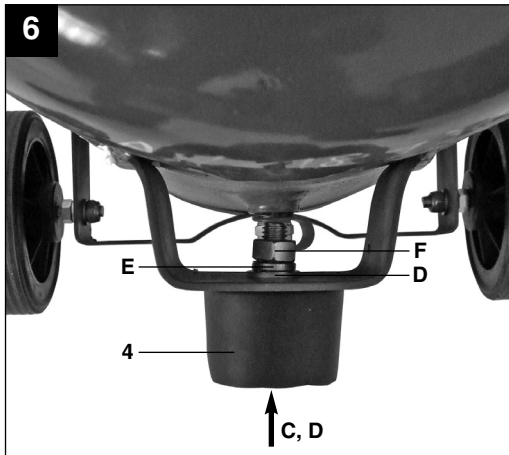
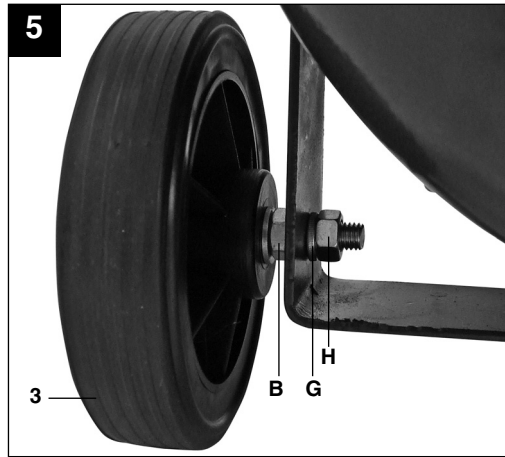
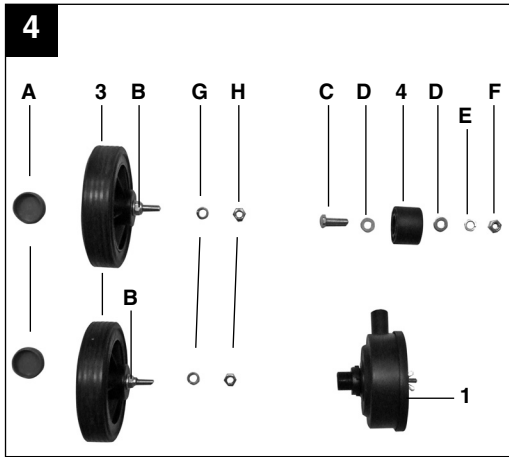


Ⓢ Beware of electrical voltage



Ⓢ Beware of hot parts





**⚠ Important!**

When using equipment, a few safety precautions must be observed to avoid injuries and damage. Please read the complete operating manual with due care. Keep this manual in a safe place, so that the information is available at all times. If you give the equipment to any other person, give them these operating instructions as well.

We accept no liability for damage or accidents which arise due to non-observance of these instructions and the safety information.

**1. Safety instructions****1.1 General safety instructions**

**⚠ Important! The following basic safety precautions have to be taken when using this compressor in order to guard against the risk of electric shock, injury and fire. Read and note these instructions before you use the compressor.**

1. **Keep your work area tidy**  
- There is a higher risk of accident in an untidy work area.
2. **Make allowance for environmental conditions**  
- Never leave the compressor in the rain. Never use the compressor in damp or wet conditions. Provide good lighting. Never use the compressor near combustible liquids or gases.
3. **Protect yourself from electric shocks**  
- Avoid physical contact with earthed parts, e.g. pipes, radiators, cookers, refrigerators.
4. **Keep children away!**  
- Do not allow other persons to touch the compressor or its cable. Keep them out of your work area.
5. **Keep your compressor in a safe place**  
- When the compressor is not being used it should be kept in a dry, locked room out of the reach of the children.
6. **Do not overload your compressor**  
- It is better and safer to work within the quoted power range.
7. **Wear suitable work clothes**  
- Do not wear loose garments or jewellery. There is a risk of them catching on moving parts. Rubber gloves and non-slip shoes are recommended when working outdoors. Put on a hair net if you have long hair.
8. **Never use the cable for any purpose other than that intended**  
Never tow the compressor by its cable and never pull the power plug out of the socket by the cable. Protect the cable from heat, oil and sharp edges.
9. **Look after your compressor**  
- Keep your compressor clean so that it works well and reliably. Follow the maintenance instructions. Check the power plug and cable regularly and have them replaced by a specialist if you discover any damage. Check any extension cables regularly and replace if damaged.
10. **Pull out the power plug**  
- Whenever the compressor is not being used and before carrying out any maintenance work.
11. **Avoid accidental starts**  
- Make sure that the switch is turned to OFF before you connect the compressor to the power supply.
12. **Extension cables for outdoor use**  
- Use extension cables outdoors only if they are approved and marked accordingly.
13. **Concentrate at all times**  
- Watch your work. Be sensible. Do not use the compressor if your mind is not on your work.
14. **Examine your compressor for signs of damage**  
- Before you use the compressor again, carefully check its safety devices or any slightly damaged parts to make sure that they are working properly and as intended. Check moving parts to make sure that they are in good working order and are not jammed or damaged. All parts have to be properly fitted in order to be sure of meeting all the machine's requirements. Damaged safety devices and parts have to be repaired or replaced by a customer service workshop unless otherwise stated in this manual. Damaged switches have to be replaced by a customer service workshop. Do not use any tools with a switch that cannot be turned on and off.
15. **Important!**  
- For your own safety, use only such accessories and auxiliary equipment as are listed in this manual or which are recommended and specified by the manufacturer. There is a high risk of suffering a serious accident if you use tools or accessories which are not listed in this manual or in the catalogue of recommended tools and accessories.
16. **Have an electrician carry out repairs**  
- Repairs are to be carried out only by a qualified electrician. If not, the user may suffer serious accidents.
17. **Noise**  
Use ear muffs when you use the compressor.
18. **Replacing the power cable**  
To prevent injury, damaged power cables may

**GB**

only be replaced by the manufacturer or a qualified electrician.

### 1.2 Safety instructions for working with compressed air and blasting guns

- Compressors and lines reach high temperatures during operation. Avoid contact! Risk of burns!
- Gases or vapours drawn in by the compressor have to be kept free of constituents that may cause fire or explosions inside the compressor.
- When you disconnect the hose coupling, hold the coupling element in your hand to prevent injury from the whiplashing hose.
- Wear goggles when working with the blow-out gun. Injuries may easily result from foreign bodies and blasted parts.
- Never point the blow-out gun at other persons and never use it to clean clothes that are still being worn.

### 1.3. Safety information for paint spraying

- Never process paints or solvents with a flash point below 55°C.
- Never heat paints or solvents.
- It is imperative to use filtering equipment (face masks) when processing harmful liquids. Note also the information concerning safety precautions published by the manufacturers of these liquids.
- Smoking is prohibited during the spraying operation and in the work room. Paint vapours are highly flammable.
- Make sure there are no open fires or open lights in the work room. Sparking machines are not to be used.
- Do not keep or consume food and drink in the work room. Paint vapours are harmful.
- The details and designations of the Ordinance on Hazardous Substances, which are displayed on the outer packaging of the processed material, must be observed. Additional protective measures are to be undertaken if necessary, particularly the wearing of suitable clothing and masks.
- The work room has to be bigger than 30 m<sup>3</sup> and have sufficient ventilation for spraying and drying. Never spray into the wind. It is always imperative to observe the regulations of your local police authorities when spraying combustible or hazardous substances.
- Never process media such as white petroleum spirit, butyl alcohol and methylene chloride with the PVC pressure hose (reduced life span).

### 1.4 Operating pressure vessels

- An operator of a pressure vessel is required to keep the pressure vessel in good working order, to operate it properly, to supervise its use, to carry out essential maintenance and repair work immediately, and to introduce essential safety measures according to requirements.
- The supervisory authorities may order essential safeguards from case to case.
- A pressure vessel may not be operated if it has any defects which constitute a danger to employees or third parties.
- Check the pressure vessel for signs of rust and damage each time before using. Do not use the compressor with a damaged or rusty pressure vessel. If you discover any damage, please contact the customer service workshop.

**Keep these safety instructions in a safe place.**

## 2. Layout

1. Intake air filter
2. Pressure vessel
3. Wheel
4. Supporting foot
5. Quick-lock coupling (regulated compressed air)
6. Pressure gauge (for reading the preset tank pressure)
7. Pressure regulator
8. ON/OFF switch
9. Transportation handle
10. Safety valve
11. Drain screw for condensation water
12. Pressure gauge (for reading the tank pressure)
13. Oil level window
14. Oil sealing plug (oil filler opening)
15. Oil drainage screw
16. Quick-lock coupling (unregulated compressed air)

## 3. Scope of use

The compressor is designed for generating compressed air for tools operated by compressed air.

Please note that our equipment has not been designed for use in commercial, trade or industrial applications. Our warranty will be voided if the machine is used in commercial, trade or industrial businesses or for equivalent purposes.

The machine is to be used only for its prescribed purpose. Any other use is deemed to be a case of misuse. The user / operator and not the manufacturer will be liable for any damage or injuries of any kind caused as a result of this.

#### 4. Technical data

Power supply:	240V ~ 50 Hz
Motor rating in kW:	1.5
Operating mode	S2 15 min
Compressor speed in rpm:	2850
Operating pressure in bar:	8
Pressure vessel volume in litre:	24
Theoretical intake rate in l/min.:	206
Sound power level $L_{WA}$ in dB:	92
Protection type:	IP20
Machine weight in kg:	24.5

A load factor of S2 15 min (intermittent periodic duty) means that you may operate the motor continuously at its nominal power level (1500 W) for no longer than the time stipulated on the specifications label (15 minutes ON period). If you fail to observe this time limit the motor will overheat. During the OFF period the motor will cool again to its starting temperature.

#### 5. Points to note when setting up the compressor

- Examine the machine for signs of transit damage. Report any damage immediately to the company which delivered the compressor.
- The compressor should be set up near the working consumer.
- Avoid long air lines and long supply lines (extensions).
- Make sure the intake air is dry and dust-free.
- Do not set up the compressor in damp or wet rooms.
- The compressor may only be used in suitable rooms (with good ventilation and an ambient temperature from +5°C to +40°C). There must be no dust, acids, vapors, explosive gases or inflammable gases in the room.

- The compressor is designed to be used in dry rooms. It is prohibited to use the compressor in areas where work is conducted with sprayed water.
- The oil level in the compressor pump has to be checked before putting the equipment into operation.

#### 6. Assembly and starting

##### ⚠ Important!

**You must fully assemble the appliance before using it for the first time.**

##### 6.1 Fitting the wheels (3)

Fit the supplied wheels as shown in Fig. 5.

##### 6.2 Fitting the supporting foot (4)

Fit the supplied rubber stopper as shown in Fig. 6.

##### 6.3. Fitting the air filter (1)

Remove the transportation stop with a screwdriver or similar and screw the air filter (1) securely to the equipment. (Fig. 7)

##### 6.4. Replacing the oil sealing plug (14)

Remove the transportation cover from the oil filler opening with a screwdriver and insert the supplied oil sealing plug (14) into the oil filler opening (Fig. 8).

##### 6.5 Voltage

The compressor is equipped with a mains cable with shock-proof plug. This can be connected to any 240V ~ 50Hz shock-proof socket which is protected by a 16 A fuse. Before you use the machine, make sure that the mains voltage complies with the specifications on the rating plate. Long supply cables, extensions, cable reels etc. cause a drop in voltage and can impede motor start-up. In the case of low temperatures below +5°C, motor start-up is jeopardized as a result of stiffness.

##### 6.6 On/Off switch (8)

To switch on the compressor, pull out the knob (8). To switch off the compressor, press the knob (8) in again. (Fig. 2)

**GB****6.7 Adjusting the pressure: (Fig. 1)**

- You can adjust the pressure on the pressure gauge (6) using the pressure regulator (7).
- The set pressure can be taken from the quick-lock coupling (5).
- The tank pressure can be read on the pressure gauge (12).
- The tank pressure can be taken from the quick-lock coupling (16).

**6.8 Setting the pressure switch**

The pressure switch is set at the factory.

Switch-on pressure 6 bar

Switch-off pressure 8 bar

**7. Replacing the power cable**

If the power cable for this equipment is damaged, it must be replaced by the manufacturer or its after-sales service or similarly trained personnel to avoid danger.

**8. Cleaning and maintenance****⚠ Important!**

**Pull the power plug before doing any cleaning and maintenance work on the appliance.**

**⚠ Important!**

**Wait until the compressor has completely cooled down. Risk of burns!**

**⚠ Important!**

**Always depressurize the tank before carrying out any cleaning and maintenance work.**

**8.1 Cleaning**

- Keep the safety devices free of dirt and dust as far as possible. Wipe the equipment with a clean cloth or blow it with compressed air at low pressure.
- We recommend that you clean the appliance immediately after you use it.
- Clean the appliance regularly with a damp cloth and some soft soap. Do not use cleaning agents or solvents; these may be aggressive to the plastic parts in the appliance. Ensure that no water can get into the interior of the appliance.
- You must disconnect the hose and any spraying tools from the compressor before cleaning. Do not clean the compressor with water, solvents or the like.

**8.2 Condensation water**

Important. To ensure a long service life of the pressure vessel (2), drain off the condensed water by opening the drain valve (11) each time after using.

**⚠ Important! The condensation water from the pressure vessel will contain residual oil. Dispose of the condensation water in an environmentally compatible manner at the appropriate collection point.**

**8.3 Safety valve (10)**

The safety valve has been set for the highest permitted pressure of the pressure vessel. It is prohibited to adjust the safety valve or remove its seal. Actuate the safety valve from time to time to ensure that it works when required. Pull the ring with sufficient force until you can hear the compressed air being released. Then release the ring again.

**8.4 Check the oil level at regular intervals**

Place the compressor on a level and straight surface. The oil level must be between the two marks MAX and MIN on the oil oil level window.

Changing the oil: Recommended hydraulic oil: SAE 15W/40 or an alternative of the same quality.

It should be refilled for the first time after 100 hours of operation. Thereafter the oil should be drained and refilled after every 500 hours in service.

**8.5 Changing the oil**

Switch off the engine and pull the mains plug out of the socket. After releasing any air pressure you can unscrew the oil drainage screw (15) from the compressor pump. To prevent the oil from running out in an uncontrolled manner, hold a small metal chute under the opening and collect the oil in a vessel. If the oil does not drain out completely, we recommend tilting the compressor slightly.

**Dispose of the old oil at a drop-off point for old oil.**

When the oil has drained out, re-fit the oil drainage screw (15). Fill new oil through the oil filler opening (14) until it comes up to the required level. Then replace the oil sealing plug (14).



### 8.6 Cleaning the intake filter (1)

The intake filter prevents dust and dirt being drawn in. It is essential to clean this filter after at least every 300 hours in service. A clogged intake filter will decrease the compressor's performance dramatically. Remove the filter from the compressor and undo the thumb screw on the air filter. You can then remove the filter from the two halves of the plastic housing, tap it to remove the dirt, blast it down with low-pressure compressed air (approx. 3 bar) and re-insert it.

### 8.7 Storage

#### **⚠ Important!**

Pull the mains plug out of the socket and ventilate the appliance and all connected pneumatic tools. Switch off the compressor and make sure that it is secured in such a way that it cannot be started up again by any unauthorized person.

#### **⚠ Important!**

**Store the compressor only in a dry location which is not accessible to unauthorized persons. Always store upright, never tilted!**

### 8.8 Ordering replacement parts

Please quote the following data when ordering replacement parts:

- Type of machine
- Article number of the machine
- Identification number of the machine
- Replacement part number of the part required

For our latest prices and information please go to [www.einhell.com.au](http://www.einhell.com.au)

## 9. Disposal and recycling

The unit is supplied in packaging to prevent its being damaged in transit. This packaging is raw material and can therefore be reused or can be returned to the raw material system.

The unit and its accessories are made of various types of material, such as metal and plastic.

Defective components must be disposed of as special waste. Ask your dealer or your local council.

**GB****10. Possible causes of failure**

<b>Problem</b>	<b>Cause</b>	<b>Solution</b>
<b>The compressor does not start</b>	1. No supply voltage	1. Check the supply voltage, the power plug and the socket-outlet.
	2. Insufficient supply voltage	2. Make sure that the extension cable is not too long. Use an extension cable with large enough wires.
	3. Outside temperature is too low	3. Never operate with an outside temperature of below +5°C.
	4. Motor is overheated	4. Allow the motor to cool down. If necessary, remedy the cause of the overheating.
The compressor starts but there is no pressure	1. Leak in the non-return valve	1. Replace the non-return valve
	2. The seals are damaged.	2. Check the seals and have any damaged seals replaced by a service center
	3. The drainage screw for condensation water (11) leaks.	3. Tighten the screw by hand. Check the seal on the screw and replace if necessary.
The compressor starts, pressure is shown on the pressure gauge, but the tools do not start.	1. Loose hose connections	1. Check the compressed air hose and tools and replace if necessary.
	2. Leak in a quick-lock coupling	2. Check the quick-lock coupling and replace if necessary.
	3. Insufficient pressure set on the pressure regulator.	3. Open the pressure regulator further.

The guarantee provided in this Guarantee Certificate is given by Einhell Australia Pty Limited  
ACN 134 632 858 of 6/166 Wellington Street, Collingwood, Victoria (Telephone number 1300 922 271)  
(Einhell Express Guarantee).

## GUARANTEE CERTIFICATE

Dear Customer,

All of our products undergo strict quality checks. In the unlikely event that your device develops a fault, please contact our service department at the address shown on this guarantee certificate. Of course, if you would prefer to call us then we are also happy to offer our assistance under the service number printed below. Please note the following terms under which claims under the Einhell Express Guarantee can be made:

1. The benefits conferred by the Einhell Express Guarantee are in addition to all rights and remedies which you may be entitled to under the Australian Consumer Law, and any other statutory rights you may have under other applicable laws. This Einhell Express Guarantee does not exclude, restrict or modify any such rights or remedies.

We do not charge you for the Einhell Express Guarantee.

2. Our goods come with guarantees that cannot be excluded under the Australian Consumer Law. You are entitled to a replacement or refund for a major failure and for compensation for any other reasonably foreseeable loss or damage. You are also entitled to have the goods repaired or replaced if the goods fail to be of acceptable quality and the failure does not amount to a major failure.
3. The Einhell Express Guarantee only covers problems caused by material or manufacturing defects, and our liability under the Einhell Express Guarantee is limited, at our discretion, to the rectification of these defects or replacement of the product. Please note that the product has not been designed for use in commercial, trade or industrial applications. Consequently, the Einhell Express Guarantee will not apply if the product is used in commercial, trade or industrial applications or for other equivalent activities.
4. The following are also excluded from the Einhell Express Guarantee: compensation for transport damage, damage caused by failure to comply with the installation/assembly instructions or damage caused by unprofessional installation, failure to comply with the operating instructions (e.g. connection to the wrong mains voltage or current type), misuse or inappropriate use (such as overloading of the product or use of non-approved tools or accessories), failure to comply with the maintenance and safety regulations, ingress of foreign bodies into the product (e.g. sand, stones or dust), effects of force or external influences (e.g. damage caused by the product being dropped) and normal wear resulting from proper operation of the product. The Einhell Express Guarantee will also not apply if any attempt is made to tamper with the product.
5. The Einhell Express Guarantee is valid for a period of 2 years starting from the purchase date of the product. Claims made under the Einhell Express Guarantee should be submitted before the end of this guarantee period and within two weeks of the defect being noticed. No claims under the Einhell Express Guarantee will be accepted if submitted after the end of this guarantee period. The original guarantee period remains applicable to the device even if repairs are carried out or parts are replaced. In such cases, the work performed or parts fitted will not result in an extension of the guarantee period for the Einhell Express Guarantee, and the Einhell Express Guarantee will not apply for the work performed or parts fitted. This also applies when an on-site service is used.
6. To make a claim under the Einhell Express Guarantee, please send the relevant product postage-free to the address shown below and enclose either the original or a copy of your sales receipt or another dated proof of purchase. It would help us if you could describe the nature of the problem in as much detail as possible. If the defect is covered by the Einhell Express Guarantee, your product will be repaired immediately and returned to you, or we will send you a new device (at our election).

Any costs incurred by you in making a claim under this Einhell Express Guarantee, unless specified otherwise in this guarantee certificate, must be borne by you.

Of course, we are also happy to offer a chargeable repair service for any defects which are not covered by the scope of the Einhell Express Guarantee or for products which are no longer covered by the Einhell Express Guarantee. To take advantage of this service, please send the product to our service address.

EINHELL AUSTRALIA PTY LTD  
6/166 Wellington Street  
Collingwood VIC 3066  
Australia  
Phone: 1300 922 271

