



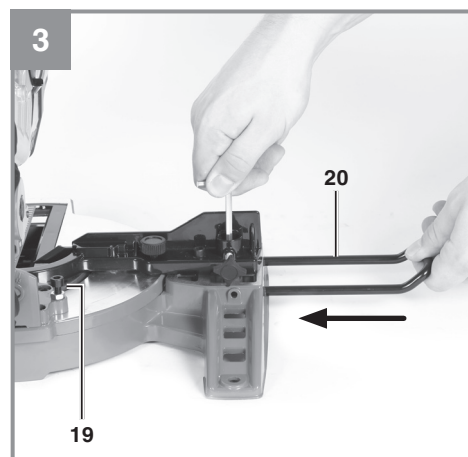
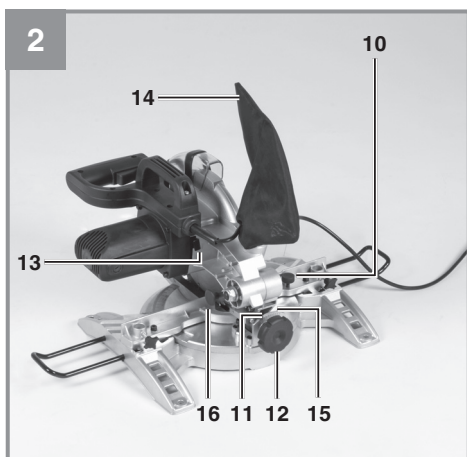
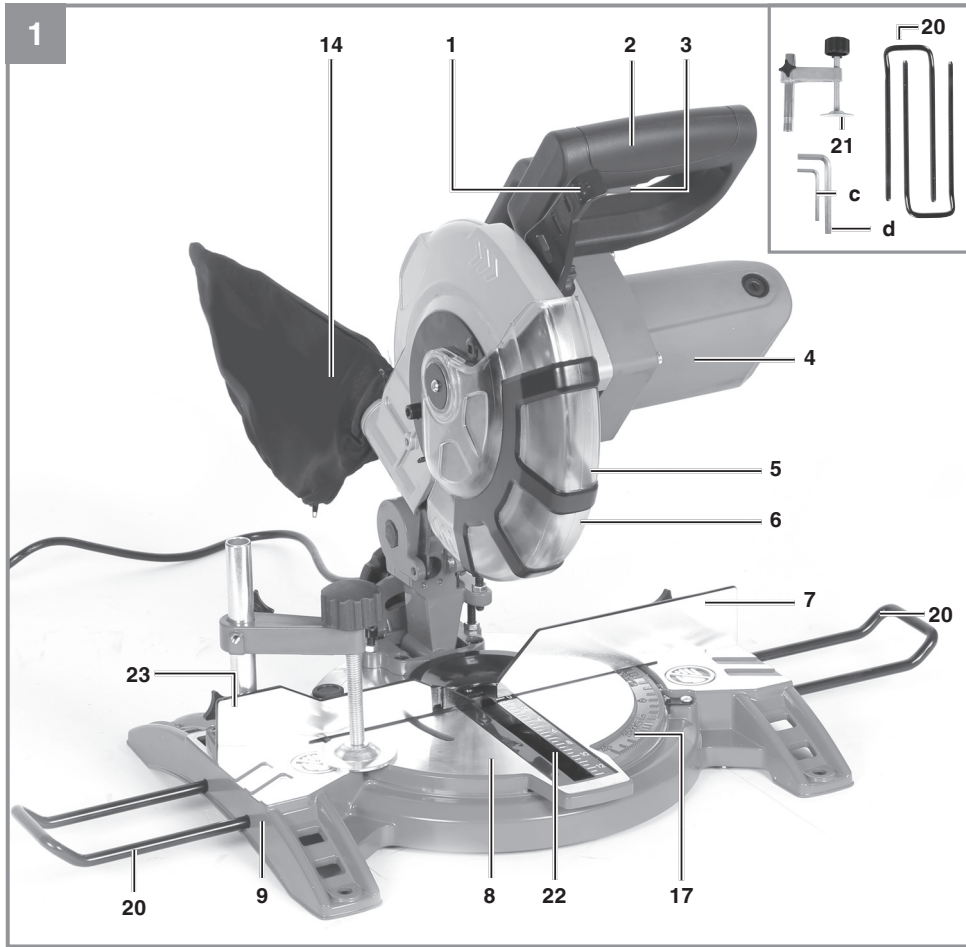
CMS-1621U

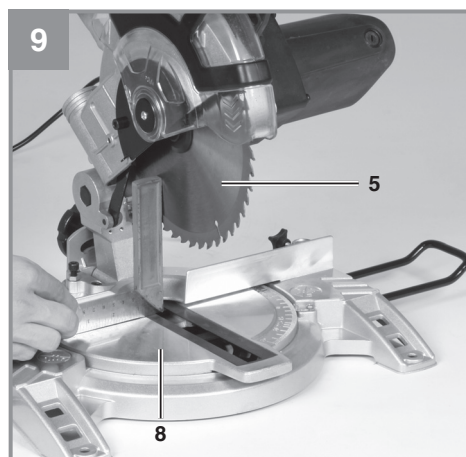
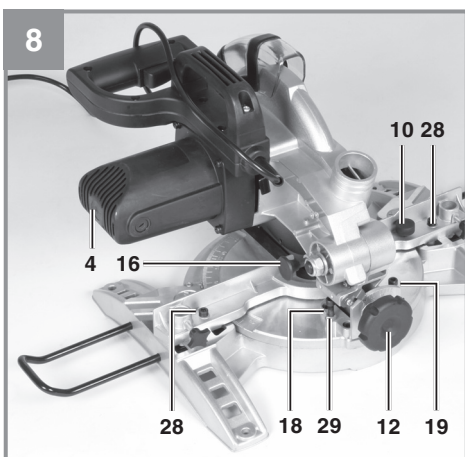
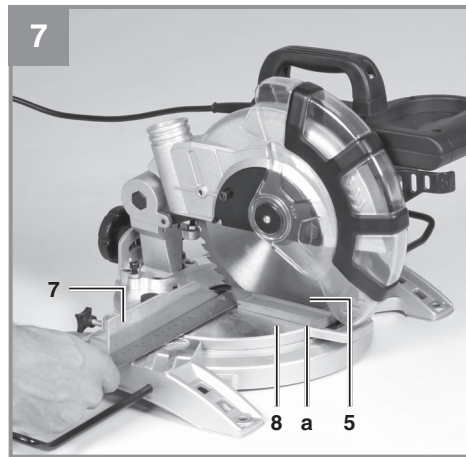
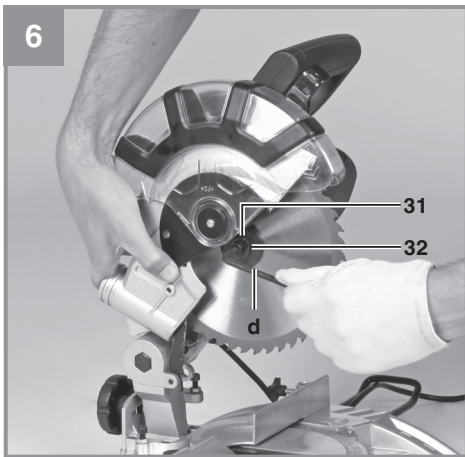
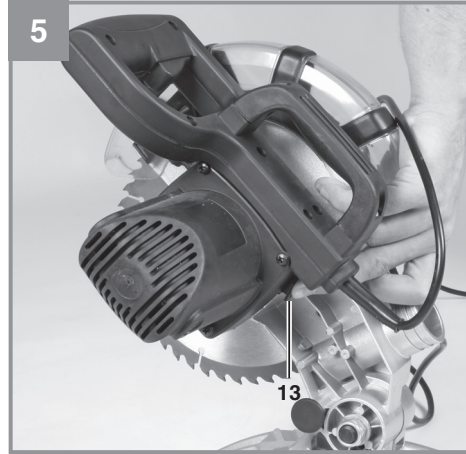
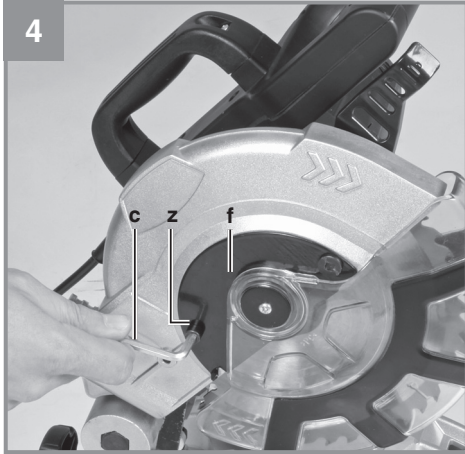
GB Original operating instructions
Crosscut and miter saw



Art.-Nr.: 43.002.99

I.-Nr.: 11039





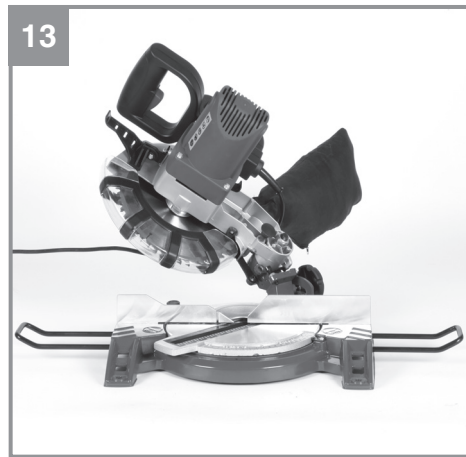
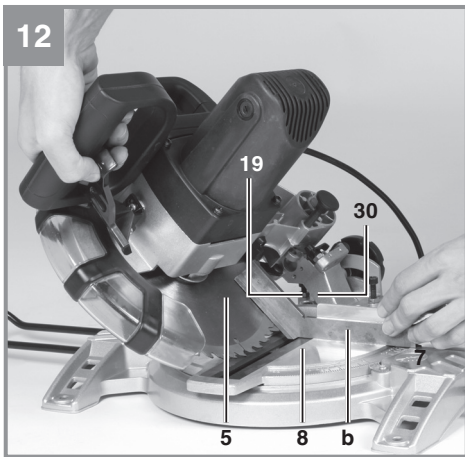
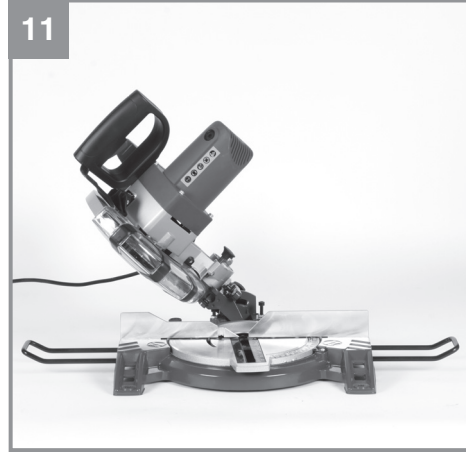


Table of contents

1. Safety regulations
2. Layout and items supplied
3. Proper use
4. Technical data
5. Before starting the equipment
6. Operation
7. Replacing the power cable
8. Cleaning, maintenance and ordering of spare parts
9. Disposal and recycling
10. Storage



Danger! - Read the operating instructions to reduce the risk of injury



Caution! Wear ear-muffs. The impact of noise can cause damage to hearing.



Caution! Wear a breathing mask. Dust which is injurious to health can be generated when working on wood and other materials. Never use the device to work on any materials containing asbestos!



Caution! Wear safety goggles. Sparks generated during working or splinters, chips and dust emitted by the device can cause loss of sight.



Caution! Risk of injury! Do not reach into the running saw blade.

Danger!

When using the equipment, a few safety precautions must be observed to avoid injuries and damage. Please read the complete operating instructions and safety regulations with due care. Keep this manual in a safe place, so that the information is available at all times. If you give the equipment to any other person, hand over these operating instructions and safety regulations as well. We cannot accept any liability for damage or accidents which arise due to a failure to follow these instructions and the safety instructions.

1. Safety regulations

The corresponding safety information can be found in the enclosed booklet.

Warning!

Read all the safety information, instructions, illustrations and technical data provided on or with this power tool. Failure to adhere to the following instructions may result in electric shock, fire and/or serious injury.

Keep all the safety information and instructions in a safe place for future use.

2. Layout and items supplied**2.1 Layout (Fig. 1/2)**

1. Release lever
2. Handle
3. ON/OFF switch
4. Machine head
5. Saw blade
6. Movable blade guard
7. Stop rail
8. Turntable
9. Stationary base plate
10. Knurled screw
11. Pointer
12. Tightening screw
13. Saw shaft lockt
14. Debris bag
15. Scale
16. Safety pin
17. Scale (turntable)
18. Setting screw 0°
19. Setting screw 45°
20. Workpiece support
21. Clamping device
22. Table insert
23. Movable stop, dependent on table angle

2.2 Items supplied

Please check that the article is complete as specified in the scope of delivery. If parts are missing, please contact our service center or the sales outlet where you made your purchase at the latest within 5 working days after purchasing the product and upon presentation of a valid bill of purchase. Also, refer to the warranty table in the service information at the end of the operating instructions.

- Open the packaging and take out the equipment with care.
- Remove the packaging material and any packaging and/or transportation braces (if available).
- Check to see if all items are supplied.
- Inspect the equipment and accessories for transport damage.
- If possible, please keep the packaging until the end of the guarantee period.

Danger!

The equipment and packaging material are not toys. Do not let children play with plastic bags, foils or small parts. There is a danger of swallowing or suffocating!

- Crosscut and miter saw
- Carbide-tipped saw blade
- Hexagon key (c,d)
- Sawdust bag (14)
- Workpiece support (20)
- Clamping device (21)
- Original operating instructions
- Safety instructions

3. Proper use

The crosscut and miter saw is designed for cross-cutting wood and wood-type materials which are appropriate for the machine's size. The saw is not designed for cutting firewood.

The equipment is to be used only for its prescribed purpose. Any other use is deemed to be a case of misuse. The user / operator and not the manufacturer will be liable for any damage or injuries of any kind caused as a result of this.

Please note that our equipment has not been designed for use in commercial, trade or industrial applications. Our warranty will be voided if the machine is used in commercial, trade or industrial

businesses or for equivalent purposes.

The equipment is to be operated only with suitable saw blades. It is prohibited to use any type of cutting-off wheel.

To use the equipment properly you must also observe the safety information, the assembly instructions and the operating instructions to be found in this manual.

All persons who use and service the equipment have to be acquainted with these operating instructions and must be informed about the equipment's potential hazards. It is also imperative to observe the accident prevention regulations in force in your area. The same applies for the general rules of health and safety at work.

The manufacturer will not be liable for any changes made to the equipment nor for any damage resulting from such changes. Even when the equipment is used as prescribed it is still impossible to eliminate certain residual risk factors. The following hazards may arise in connection with the machine's construction and design:

- Contact with the saw blade in the uncovered saw zone.
- Reaching into the running saw blade (cut injuries).
- Kick-back of workpieces and parts of workpieces.
- Saw blade fracturing.
- Catapulting of faulty carbide tips from the saw blade.
- Damage to hearing if ear-muffs are not used as necessary.
- Harmful emissions of wood dust when used in closed rooms.

4. Technical data

Asynchronous motor 220-240 V~ 50 Hz
 Input power S1 1400 Watt / S6 40% 1600 Watt
 Idle speed n_0 5000 rpm
 Carbide saw blade $\varnothing 210 \times \varnothing 30 \times 2,8$ mm
 Number of teeth 48
 Weight 7,1 kg
 Tilting range $-45^\circ / 0^\circ / +45^\circ$
 Mitre cuts 0° to 45° to the left
 Sawing width at 90° max. 120 x 55 mm
 Sawing width at 45° max. 80 x 55 mm
 Sawing width at 2 x 45°

(double mitre cuts) 80 x 32 mm

Minimum workpiece size: Only ever cut workpieces which are big enough to clamp securely with the clamping device – minimum length 160 mm.

Operating mode S6 40%: Continuous operation with idling (cycle time 10 minutes). To ensure that the motor does not become excessively hot it may only be operated for 40% of the cycle at the specified rating and must then be allowed to idle for 60% of the cycle.

Danger!

Noise

The noise emission values were measured in accordance with EN 62841.

L_{pA} sound pressure level 101 dB(A)
 K_{pA} uncertainty 3 dB
 L_{WA} sound power level 114 dB(A)
 K_{WA} uncertainty 3 dB

Wear ear-muffs.

The impact of noise can cause damage to hearing.

The stated vibration emission levels and stated noise emission values were measured in accordance with a set of standardized criteria and can be used to compare one power tool with another.

The stated vibration emission levels and stated noise emission values can also be used to make an initial assessment of exposure.

Warning:

The vibration and noise emission levels may vary from the level specified during actual use, depending on the way in which the power tool is used, especially the type of workpiece it is used for.

Keep the noise emissions and vibrations to a minimum.

- Only use appliances which are in perfect working order.
- Service and clean the appliance regularly.
- Adapt your working style to suit the appliance.
- Do not overload the appliance.
- Have the appliance serviced whenever necessary.
- Switch the appliance off when it is not in use.

Caution!**Residual risks**

Even if you use this electric power tool in accordance with instructions, certain residual risks cannot be ruled out. The following hazards may arise in connection with the equipment's construction and layout:

1. Lung damage if no suitable protective dust mask is used.
2. Damage to hearing if no suitable ear protection is used.
3. Health damage caused by hand-arm vibrations if the equipment is used over a prolonged period or is not properly guided and maintained.

5. Before starting the equipment

Before you connect the equipment to the mains supply make sure that the data on the rating plate are identical to the mains data.

Warning!

Always pull the power plug before making adjustments to the equipment.

5.1 General information

- The equipment must be set up where it can stand securely, i.e. it should be bolted to a workbench, a universal base frame or similar.
- All covers and safety devices have to be properly fitted before the equipment is switched on.
- It must be possible for the blade to run freely.
- When working with wood that has been processed before, watch out for foreign bodies such as nails or screws, etc.
- Before you actuate the On/Off switch, make sure that the saw blade is correctly fitted and that the equipment's moving parts run smoothly.

5.2 Setting up the saw (Fig. 3)

The workpiece supports must be inserted and tightened using a hex key (C).

5.3 Adjusting the saw (Fig. 1/2)

- To adjust the turntable (8), loosen the knurled screw (10) by approx. 2 turns, which frees the turntable.
- The turntable has locking points at angles of 0°, 5°, 10°, 15°, 22,5°, 30°, 35°, 40°, 45°. Once the turntable is engaged, the setting must be additionally secured by tightening

the knurled screw (10).

- If different angle settings are required, the turntable (8) may be secured in position using only the knurled screw (10).
- Lightly press the machine head (4) down while at the same time pulling the retaining pin (16) out from the motor mounting; this causes the saw to move down to the lower working position.
- Swing up the machine head (4).
- By loosening the lock screw (12), the machine head (4) can be angled to the left up to 45°.
- Check that the voltage marked on the rating plate is the same as your mains voltage and connect up the machine.

5.4 Precision adjustment of the stop rail (Fig. 7/8)

- Lower the machine head (4) and fasten in place with the safety pin (16).
- Fasten the turntable (8) in 0° position.
- Place the 90° stop angle (a) between the blade (5) and the stop rail (7).
- Slacken the adjustment screws (28), set the stop rail (7) to 90° in relation to the saw blade (5) and retighten the adjustment screws (28).

5.5 Precision adjustment of the stop for 90° cross-cuts (Fig. 8-10)

- Lower the machine head (4) and fix with the lock pin (16).
- Slacken the tightening screw (12).
- Place the stop angle (a) between the saw blade (5) and the rotary table (8).
- Slacken the counter nut (29) and adjust the setting screw (18) until the angle between the saw blade (5) and the rotary table (8) equals 90°.
- Re-tighten the counter nut (29) to fix the machine in this setting.
- Finally, check the position of the angle indicator (11). If necessary, release the pointer with a crosstip screwdriver, move to the 0° position of the angle scale (15) and retighten the holding screw.
- No stop angle included.

5.6 Precision adjustment of the stop for 45° mitre cuts (Fig. 8/12)

- Lower the machine head (4) and fix with the lock pin (16).
- Fix the rotary table (8) in 0° position.
- Undo the tightening screw (12) and use the handle (2) to tilt the machine head (4) to the

- left until it coincides at 45°.
- Place the 45° stop angle (b) between the saw blade (5) and the rotary table (8).
- Slacken the counter nut (30) and adjust the setting screw (19) until the angle between the saw (5) and the rotary table (8) equals exactly 45°.
- No stop angle included.

6. Operation

6.1 Crosscut 90° and turntable 0° (Fig. 1)

- Press the main switch (3) to turn on the saw.
- Important. Place the material for sawing firmly on the machine surface, to prevent it from moving during the sawing process.
- After switching on the saw, wait for the blade (5) to reach its maximum speed.
- Press the release lever (1) sideways and, using the handle (2), apply steady and light downward pressure to move the machine head through the workpiece.
- When the cut is completed, return the machine to its top parking position and let go of the On/Off switch.
- Caution! A return spring causes the machine head to rise automatically at the end of the cut. Do not let go of the handle (2) as soon as the cut is completed but steady the machine head and allow it to rise slowly.

6.2 90° cross-cuts and 0°-45° rotary table (Fig. 10)

The crosscut saw can be used to make right and left angular cuts of 0° - 45° in relation to the stop rail.

- Lift the machine head (4) to its top position.
- Release the turntable (8) by slackening the locking grip (10).
- Using the handle (2), set the turntable (8) to the desired angle, i.e. the marking on the turntable must coincide with the desired angular setting (17) on the stationary base plate (9).
- Re-tighten the locking handle (10) in order to fix the rotary table (8) in position.
- Make the cut as described in Section 6.1).

6.3 Mitre cuts 0°-45° and rotary table 0° (Fig. 8/11)

The crosscut saw can be used to make miter cuts of 0° - 45° in relation to the work face.

- Lift the machine head (4) to its top position.
- Fix the rotary table (8) in 0° position.

- Undo the tightening screw (12) and use the handle (2) to tilt the machine head (4) to the left until the pointer (11) coincides with the required angle value (15).
- Re-tighten the locking nut (12) and make the cut as described in Section 6.1).

6.4 Mitre cuts 0°-45° and rotary table 0°-45° (Fig. 8/13)

The crosscut saw can be used to make miter cuts to the left of 0° - 45° in relation to the work face and, at the same time, 0° - 45° in relation to the stop rail (double miter cut).

- Lift the machine head (4) to its top position.
- Release the turntable (8) by slackening the locking grip (10).
- Adjust the rotary table (8) by its handle (2) to the required angle (see also Section 6.2).
- Retighten the tightening screw (10) in order to secure the turntable in place.
- Undo the tightening screw (12) and use the handle (2) to tilt the machine head (4) to the left until it coincides with the required angle value (in this connection see also section 6.3).
- Screw the tightening screw (12) back down again.

6.5 Sawdust bag (Fig. 2)

The saw is equipped with a debris bag (14) for sawdust and chips.

The debris bag (14) can be emptied by means of a zipper at the bottom.

6.6 Replacing the saw blade (Fig. 1-6)

- Before changing the saw blade: Remove the power plug!
- Wear work gloves to prevent injury when changing the saw blade.
- Swing the machine head upwards (4).
- Undo the screw (z) on the cover plate (f) of the saw blade.
- Pull back the adjustable blade guard (6) and at the same time turn the cover plate to achieve access to the flange bolt.
- Press the saw shaft lock (13) with one hand while positioning the hexagon key (d) on the flange bolt (31) with the other hand. The saw shaft lock (13) engages after no more than one rotation.
- Now, using a little more force, slacken the flange screw (31) in the clockwise direction.
- Turn the flange screw (31) right out and remove the external flange (32).
- Take the blade (5) off the inner flange and pull

out downwards.

- Carefully clean the flange screw (31), outer flange (32) and inner flange.
- Fit and fasten the new saw blade (5) in reverse order.
- Important. The cutting angle of the teeth, in other words the direction of rotation of the saw blade (5) must coincide with the direction of the arrow on the housing.
- Check to make sure that all safety devices are properly mounted and in good working condition before you begin working with the saw again.
- Important. Every time that you change the saw blade, check to see that it spins freely in the table insert (22) in both perpendicular and 45° angle settings.
- Important. The work to change and align the saw blade (5) must be carried out correctly.

7. Replacing the power cable

Danger!

If the power cable for this equipment is damaged, it must be replaced by the manufacturer or its after-sales service or similarly trained personnel to avoid danger.

8. Cleaning, maintenance and ordering of spare parts

Danger!

Always pull out the mains power plug before starting any cleaning work.

8.1 Cleaning

- Keep all safety devices, air vents and the motor housing free of dirt and dust as far as possible. Wipe the equipment with a clean cloth or blow it with compressed air at low pressure.
- We recommend that you clean the device immediately each time you have finished using it.
- Clean the equipment regularly with a moist cloth and some soft soap. Do not use cleaning agents or solvents; these could attack the plastic parts of the equipment. Ensure that no water can seep into the device. The ingress of water into an electric tool increases the risk of an electric shock.

8.2 Carbon brushes

In case of excessive sparking, have the carbon brushes checked only by a qualified electrician. Important! The carbon brushes should not be replaced by anyone but a qualified electrician.

8.3 Maintenance

- There are no parts inside the equipment which require additional maintenance.
- Lubricate all moving parts at regular intervals.

8.4 Ordering spare parts and accessories

Please provide the following information when ordering spare parts:

- Type of unit
- Article number of the unit
- ID number of the unit
- Spare part number of the required spare part

For our latest prices and information please go to www.isc-gmbh.info



Tip! For good results we recommend high-quality accessories from **kwb !**
www.kwb.eu
welcome@kwb.eu

9. Disposal and recycling

The equipment is supplied in packaging to prevent it from being damaged in transit. The raw materials in this packaging can be reused or recycled. The equipment and its accessories are made of various types of material, such as metal and plastic. Never place defective equipment in your household refuse. The equipment should be taken to a suitable collection center for proper disposal. If you do not know the whereabouts of such a collection point, you should ask in your local council offices.

10. Storage

Store the equipment and accessories out of children's reach in a dark and dry place at above freezing temperature. The ideal storage temperature is between 5 and 30 °C. Store the electric tool in its original packaging.



For EU countries only

Never place any electric power tools in your household refuse.

To comply with European Directive 2012/19/EC concerning old electric and electronic equipment and its implementation in national laws, old electric power tools have to be separated from other waste and disposed of in an environment-friendly fashion, e.g. by taking to a recycling depot.

Recycling alternative to the return request:

As an alternative to returning the equipment to the manufacturer, the owner of the electrical equipment must make sure that the equipment is properly disposed of if he no longer wants to keep the equipment. The old equipment can be returned to a suitable collection point that will dispose of the equipment in accordance with the national recycling and waste disposal regulations. This does not apply to any accessories or aids without electrical components supplied with the old equipment.

The reprinting or reproduction by any other means, in whole or in part, of documentation and papers accompanying products is permitted only with the express consent of the iSC GmbH.

Subject to technical changes

Service information

We have competent service partners in all countries named on the guarantee certificate whose contact details can also be found on the guarantee certificate. These partners will help you with all service requests such as repairs, spare and wearing part orders or the purchase of consumables.

Please note that the following parts of this product are subject to normal or natural wear and that the following parts are therefore also required for use as consumables.

Category	Example
Wear parts*	Carbon brushes
Consumables*	Saw blade
Missing parts	

* Not necessarily included in the scope of delivery!

In the event of defects or faults, please register the problem on the internet at www.isc-gmbh.info. Please ensure that you provide a precise description of the problem and answer the following questions in all cases:

- Did the equipment work at all or was it defective from the beginning?
- Did you notice anything (symptom or defect) prior to the failure?
- What malfunction does the equipment have in your opinion (main symptom)?
Describe this malfunction.

Warranty certificate

Dear Customer,

All of our products undergo strict quality checks to ensure that they reach you in perfect condition. In the unlikely event that your device develops a fault, please contact our service department at the address shown on this guarantee card. You can also contact us by telephone using the service number shown.

Please note the following terms under which guarantee claims can be made:

1. These guarantee terms apply to consumers only, i.e. natural persons intending to use this product neither for their commercial activities nor for any other self-employed activities. These warranty terms regulate additional warranty services, which the manufacturer mentioned below promises to buyers of its new products in addition to their statutory rights of guarantee. Your statutory guarantee claims are not affected by this guarantee. Our guarantee is free of charge to you.
2. The warranty services cover only defects due to material or manufacturing faults on a product which you have bought from the manufacturer mentioned below and are limited to either the rectification of said defects on the product or the replacement of the product, whichever we prefer.
Please note that our devices are not designed for use in commercial, trade or professional applications. A guarantee contract will not be created if the device has been used by commercial, trade or industrial business or has been exposed to similar stresses during the guarantee period.
3. The following are not covered by our guarantee:
 - Damage to the device caused by a failure to follow the assembly instructions or due to incorrect installation, a failure to follow the operating instructions (for example connecting it to an incorrect mains voltage or current type) or a failure to follow the maintenance and safety instructions or by exposing the device to abnormal environmental conditions or by lack of care and maintenance.
 - Damage to the device caused by abuse or incorrect use (for example overloading the device or the use of unapproved tools or accessories), ingress of foreign bodies into the device (such as sand, stones or dust, transport damage), the use of force or damage caused by external forces (for example by dropping it).
 - Damage to the device or parts of the device caused by normal or natural wear or tear or by normal use of the device.
4. The guarantee is valid for a period of 24 months starting from the purchase date of the device. Guarantee claims should be submitted before the end of the guarantee period within two weeks of the defect being noticed. No guarantee claims will be accepted after the end of the guarantee period. The original guarantee period remains applicable to the device even if repairs are carried out or parts are replaced. In such cases, the work performed or parts fitted will not result in an extension of the guarantee period, and no new guarantee will become active for the work performed or parts fitted. This also applies if an on-site service is used.
5. To make a claim under the guarantee, please register the defective device at: www.isc-gmbh.info. Please keep your bill of purchase or other proof of purchase for the new device. Devices that are returned without proof of purchase or without a rating plate shall not be covered by the guarantee, because appropriate identification will not be possible. If the defect is covered by our guarantee, then the item in question will either be repaired immediately and returned to you or we will send you a new replacement.

Of course, we are also happy offer a chargeable repair service for any defects which are not covered by the scope of this guarantee or for units which are no longer covered. To take advantage of this service, please send the device to our service address.

Also refer to the restrictions of this warranty concerning wear parts, consumables and missing parts as set out in the service information in these operating instructions.

- D** erklärt folgende Konformität gemäß EU-Richtlinie und Normen für Artikel
- GB** explains the following conformity according to EU directives and norms for the following product
- F** déclare la conformité suivante selon la directive CE et les normes concernant l'article
- I** dichiara la seguente conformità secondo la direttiva UE e le norme per l'articolo
- NL** verklaart de volgende overeenstemming conform EU richtlijn en normen voor het product
- E** declara la siguiente conformidad a tenor de la directiva y normas de la UE para el artículo
- P** declara a seguinte conformidade, de acordo com as diretiva CE e normas para o artigo
- DK** atterer følgende overensstemmelse i medfør af EU-direktiv samt standarder for artikel
- S** förklarar följande överensstämmelse enl. EU-direktiv och standarder för artikeln
- FIN** vakuuttaa, että tuote täyttää EU-direktiivin ja standardien vaatimukset
- EE** tõendab toote vastavust EL direktiivile ja standarditele
- CZ** vydává následující prohlášení o shodě podle směrnice EU a norem pro výrobek
- SLO** potrjuje sledečo skladnost s smernico EU in standardi za izdelek
- SK** vydáva nasledujúce prehlásenie o zhode podľa smernice EÚ a noriem pre výrobok
- H** a cikkekhez az EU-irányvonal és Normák szerint a következő konformitást jelenti ki
- PL** deklaruje zgodność wymienionego poniżej artykułu z następującymi normami na podstawie dyrektywy WE.
- BG** декларира съответното съответствие съгласно Директива на ЕС и норми за артикул
- LV** paskaidro šādu atbilstību ES direktīvai un standartiem
- LT** apibūdina šį atitikimą EU reikalavimams ir prekės normoms
- RO** declară următoarea conformitate conform directivei UE și normelor pentru articolul
- GR** δηλώνει την ακόλουθη συμμόρφωση σύμφωνα με την Οδηγία ΕΚ και τα πρότυπα για το προϊόν
- HR** potvrđuje sljedeću usklađenost prema smjernicama EU i normama za artikl
- BIH** potvrđuje sljedeću usklađenost prema smjernicama EU i normama za artikl
- RS** potvrđuje sledeću usklađenost prema smernicama EZ i normama za artikal
- RUS** следующим удостоверяется, что следующие продукты соответствуют директивам и нормам ЕС
- UKR** проголошує про зазначену нижче відповідність виробу директивам та стандартам ЄС на виріб
- MK** ja izjavuva slednata soobraznost согласно EУ-директивата и нормите за артикли
- TR** Ürünü ile ilgili AB direktifleri ve normları gereğince aşağıda açıklanan uygunluğu belirtir
- N** erklærer følgende samsvar i henhold til EU-direktiv og standarder for artikkel
- IS** Lýsir uppfyllingu EU-reglna og annarra staðla vöru

Mitre Saw CMS-1621U (Ozito)

- | | |
|---|--|
| <input type="checkbox"/> 2014/29/EU | <input checked="" type="checkbox"/> 2006/42/EC |
| <input type="checkbox"/> 2005/32/EC_2009/125/EC | <input type="checkbox"/> Annex IV
Notified Body:
Reg. No.: |
| <input type="checkbox"/> 2014/35/EU | <input type="checkbox"/> 2000/14/EC_2005/88/EC |
| <input type="checkbox"/> 2006/28/EC | <input type="checkbox"/> Annex V |
| <input checked="" type="checkbox"/> 2014/30/EU | <input type="checkbox"/> Annex VI
Noise: measured L_{WA} = dB (A); guaranteed L_{WA} = dB (A)
P = KW; L/Ø = cm
Notified Body: |
| <input type="checkbox"/> 2014/32/EU | <input type="checkbox"/> 2012/46/EU_(EU)2016/1628
Emission No.: |
| <input type="checkbox"/> 2014/53/EU | |
| <input type="checkbox"/> 2014/68/EU | |
| <input type="checkbox"/> (EU)2016/426
Notified Body: | |
| <input type="checkbox"/> (EU)2016/425 | |
| <input checked="" type="checkbox"/> 2011/65/EU_(EU)2015/863 | |

Standard references: EN 62841-1; EN 62841-3-9;
EN 55014-1; EN 55014-2; EN 61000-3-2; EN 61000-3-3

Landau/Isar, den 27.09.2019

Andreas Weichselgartner/General-Manager

Dong/Product-Management

First CE: 16
Art.-No.: 43.002.99 I.-No.: 11039
Subject to change without notice

Archive-File/Record: NAPR022580
Documents registrar: Hofner Felix
Wiesenweg 22, D-94405 Landau/Isar



EH 10/2019 (01)

