

## Tile cutting machine A-FS 180/2

Art.-No.: **43.011.61**

Bar code: 4006825534955

Sales unit: 1 pc

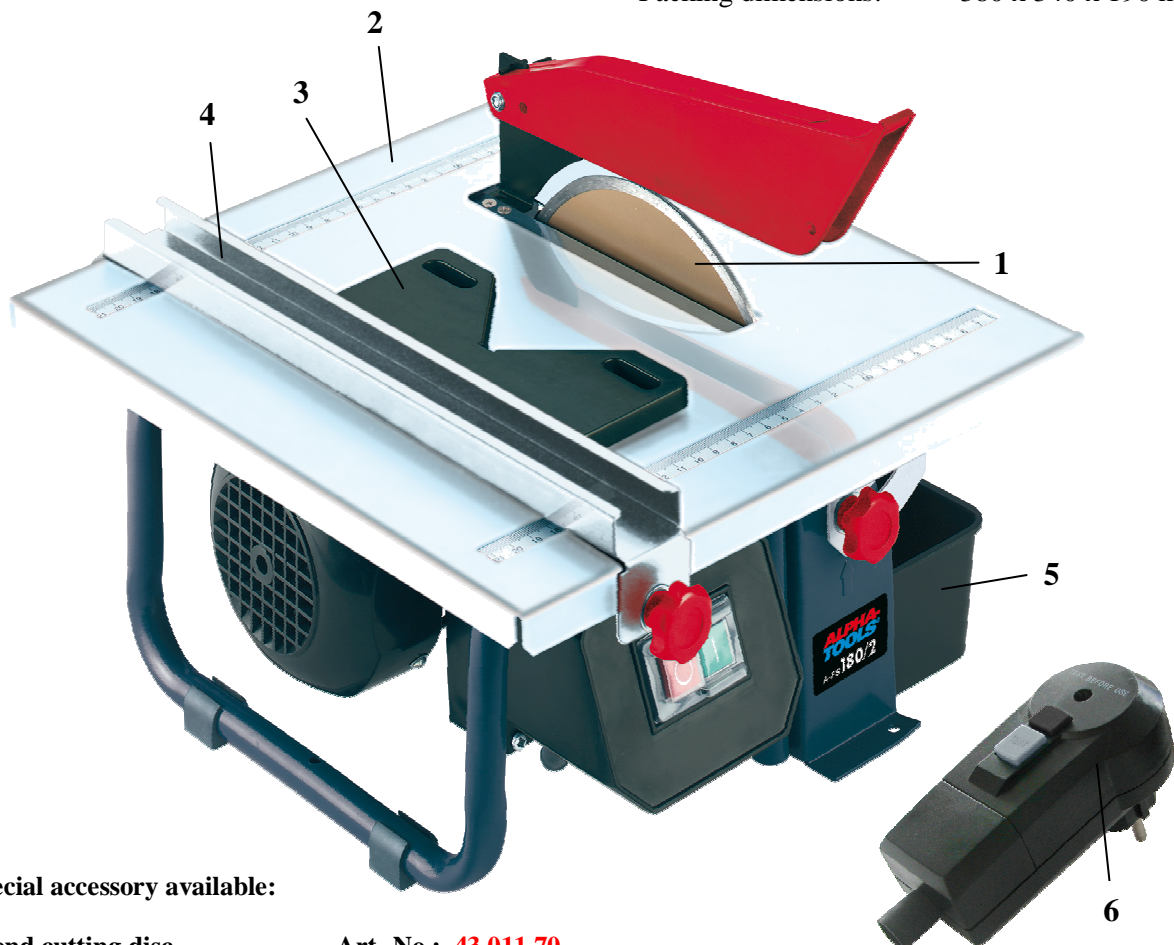
The tile cutting machine A-FS 180/2 is an easy transportable unit for cutting small and medium sized wall- or floor tiles with water cooled cutting disc for dust-free working. The zinc-coated working table can be tilted continuously up to 45°, incl. parallel guide for endless length and jolly cuts.

### Features:

- Diamond cutting disc (1)
- Working table (2)
- Mitre cut guide (3)
- Parallel guide (4)
- Water tank (5)
- Tools for changing the cutting disc
- **RCD-Plug (6)**

### Technical data:

- Mains: 230 V ~ 50 Hz
- Motor: AC motor
- Power: 600 W S2 20 min
- No-load speed  $n_0$ : 3000 min<sup>-1</sup>
- Cutting height 90° / 45°: 35 mm / 12 mm
- Table size: 330 x 360 mm
- Diamond cutting disc: Ø 180 x Ø 25.4 mm
- Weight: 10.8 kg
- Packing dimensions: 380 x 340 x 190 mm



As special accessory available:

**Diamond cutting disc**  
Ø 180 x Ø 25.4 mm

Art.-No.: **43.011.70**  
Bar code: 4006825432015

Abbildungen können nicht im Serien-Lieferumfang enthaltenes Zubehör darstellen / Illustrations can contain accessories, which are not included in standard extent of delivery.

Abbildungen ähnlich, produktionsbedingte Abweichung vorbehalten / Illustration similar (in design), production-wise modifications reserved

File: S:\shared-pool\Product-Dokumentation\T-Produktbeschreibung\30\_n0t\Originale\_Englisch\_PA04\4301161\_01016.doccreate date /  
Erstelldatum 20.11.2006 16:16:00

up dated / aktualisiert: 29.11.2006