

Quick start guide

1500W ELECTRIC WET & DRY VACUUM CLEANER



! Read the safety instructions in the user guide before you start.

1. Pack contents/parts

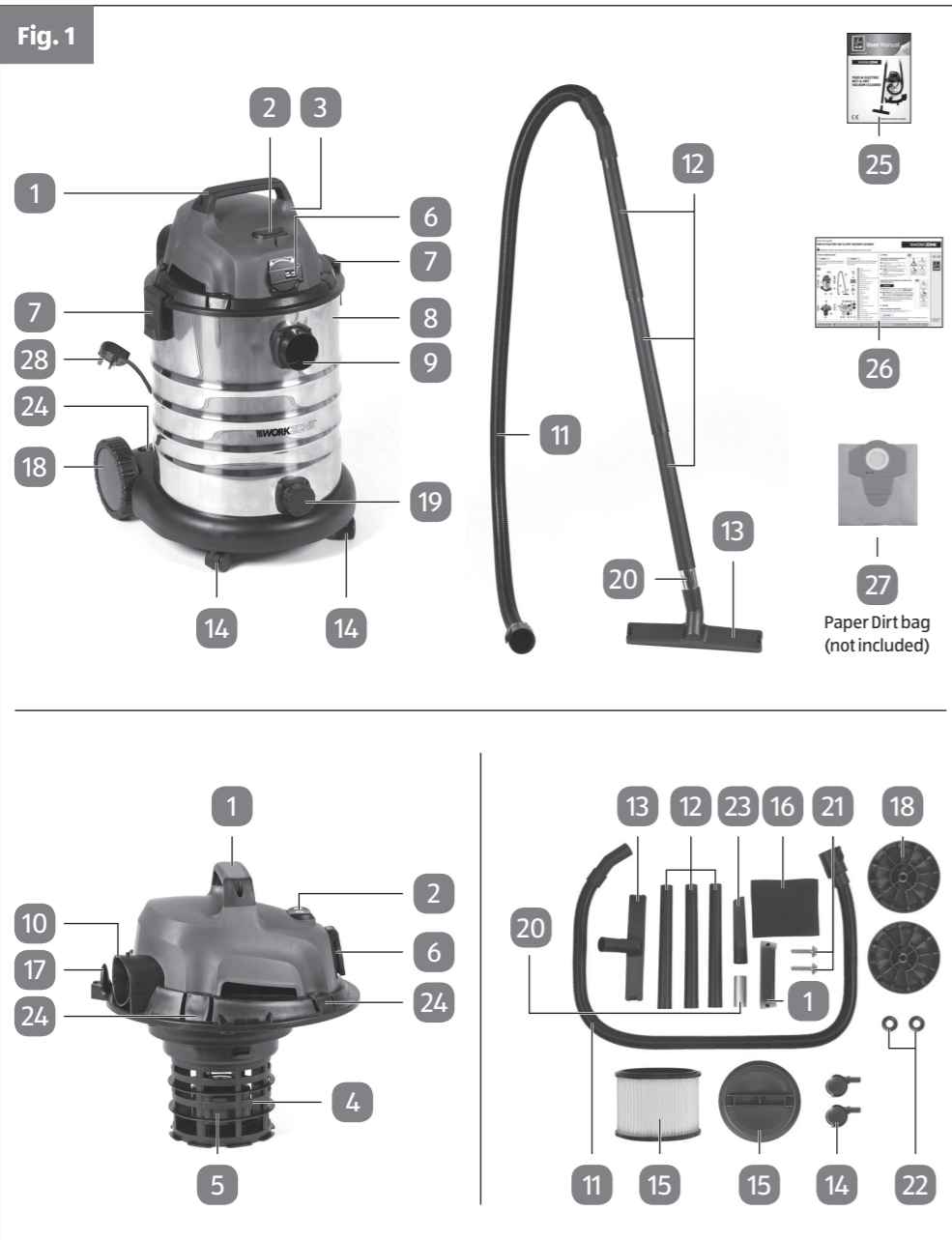
NOTICE!

This quick start guide is intended for experienced users. Please refer to the main Instruction Manual for further details.

NOTICE!

Diagram numbers refer to those in the main Instruction Manual. Please refer to the main Instruction Manual if you are unsure.

Fig. 1



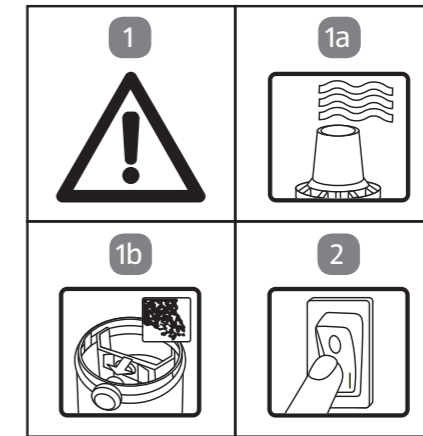
- 1 Handle
- 2 ON/OFF/Automatic switch
- 3 Motor unit
- 4 Filter cage
- 5 Safety float valve
- 6 Automatic socket-outlet for electric tools
- 7 Locking hook
- 8 Stainless Steel metal Tank
- 9 Suction hose connection
- 10 Blow connector
- 11 Flexible suction hose
- 12 3-piece suction tube
- 13 Dual purpose nozzle
- 14 Casters
- 15 Pleated filter
- 16 Foamed plastic filter
- 17 Hook for cable store
- 18 Wheels
- 19 Water drain outlet
- 20 Adapter
- 21 Fastening screws on the handle
- 22 Washer (fitted on wheel axle)
- 23 Crevice nozzle
- 24 Accessory holder
- 25 Original operating & safety instructions
- 26 Quick set-up guide
- 27 Paper Dirt bag (Not included)
- 28 13A plug and supply cable

2. Safety

Explanation of the symbols and types of instructions used (See Fig. 2)

- 1 Warning!** Read the user manual and follow the warnings and safety instructions.
- 1a Important!** Ensure that the foam filter **16** is fitted to the filter cage, for wet vacuum cleaning.
- 1b Important!** When dry vacuuming, the optional paper dirt bag **27** can be fitted by pushing it onto the hose inlet on the inside of metal tank. **Not suitable for wet vacuuming!**
- 2 Important!** Do not switch on the vacuum cleaner until the correct filter is fitted, and the hose and accessories or nozzle, which you intend to use.

Fig. 2

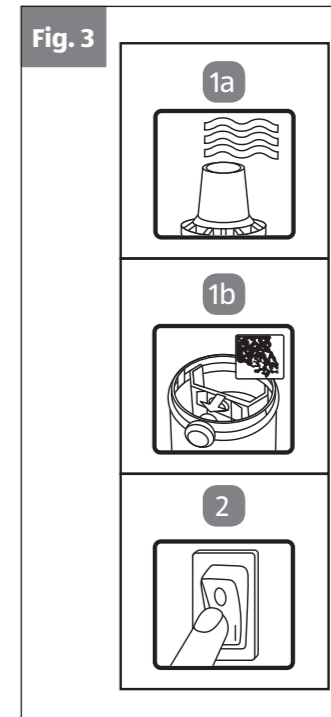


Explanation of the pictograms for handling on the machine (See Fig. 3)

! DANGER!

- 1a Important!** Ensure that the foam filter **16** is fitted to the filter cage, for wet vacuum cleaning. **RECOMMENDED!**
- 1b Important!** When dry vacuuming, the optional dirt bag **27** can be fitted by pushing it onto the hose inlet on the inside of metal tank. **Not suitable for wet vacuuming!**
- 2 Important!** Only switch on the vacuum cleaner once the correct filter is fitted, and the hose and accessories or nozzle, which you intend to use.

Fig. 3



3. Set up

Before starting the equipment

This wet & dry vacuum cleaner is delivered with some parts inside which need to be assembled, and complete assembly is necessary before use.

! CAUTION!

Check that all parts of the vacuum cleaner are in the box, or underneath the motor unit inside the metal drum, before starting to assemble.



Continued overleaf...

First Use

Checking the vacuum cleaner and product contents

- Carefully take the vacuum cleaner out of the packaging. (The 3-piece suction tube 12 is separate in one of the corner packaging sections).
- Check to make sure that the delivery is complete, by removing the motor unit 3 from off the metal tank 8 (see Fig. 1).
- Check whether the vacuum cleaner or the parts exhibit any damage.
- In the event of damages or missing parts, do not use the vacuum cleaner. Contact the manufacturer via the service address indicated on the warranty card, or by using the After Sales Support contact information.
- If possible, please keep the packaging until the end of the guarantee period.

Assembling the wet & dry vacuum cleaner

⚠ WARNING!

Before start-up, assemble the vacuum cleaner properly and completely, with the correct filter fitted to suit either wet or dry use.

- Only once you have completed assembly, may you insert the 13A mains plug in the socket.

You will also need the following tools for assembly:

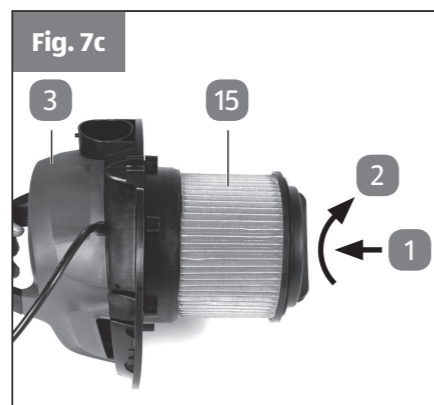
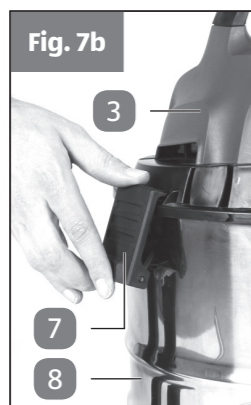
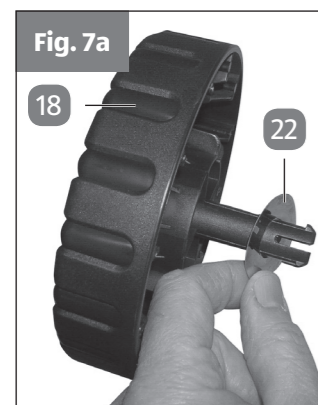
- PH2 star-headed screwdriver

Before starting the equipment

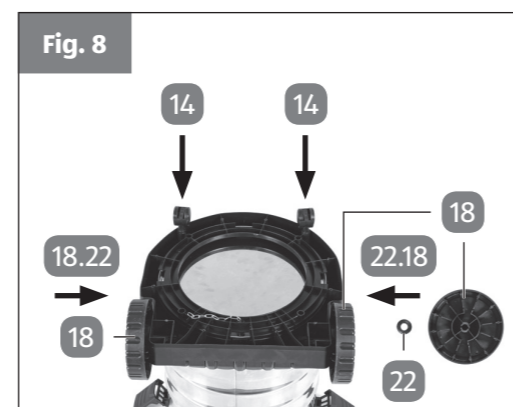
- Before you connect the equipment to the mains supply make sure that the data on the rating plate matches that of your local supply.
- Always pull out the power plug before making adjustments to the equipment.
- The casters 14 and the wheels 18 (washers 22 are already fitted onto the wheels 18 – See Fig. 7a) must be fitted before use. Follow the operating instructions step-by-step and use the pictures provided as a visual guide to easily assemble the machine.

1. Assembling the wheels and casters (Fig. 7a - 8)

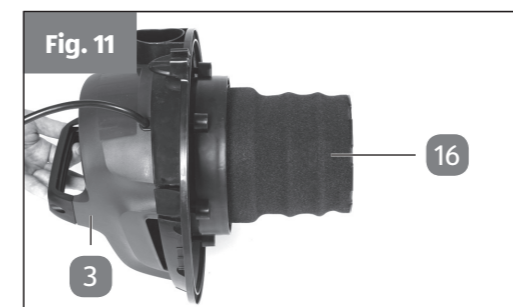
- Lift out the 4 corner packaging pieces from the box (with the 3-part suction tube 12) and lift the metal tank 8 and motor unit 3 from the box.
- Open both of the locking hooks 7 and remove the motor unit 3 from the metal tank 8. (As supplied, the pleated filter 15 for dry use, is already fitted onto the bottom of the motor unit over the filter cage 4 see Fig. 7c).
- Remove all the parts from inside the metal tank, and all the packaging pieces (The washers 22 are already fitted on the wheels 18).



- Turn the metal tank 8 upside down and fit the wheels 18 (with washers 22) into the plastic base of the metal tank. Then also fit the casters 14.



- For wet vacuuming only: As the pleated filter 15 is already fitted, then it must be removed from the filter cage and then the foam filter 16 can be fitted in its place – See Fig. 10 - 11.



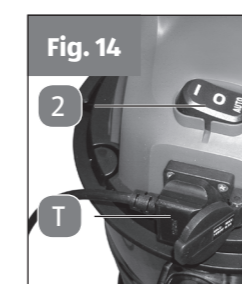
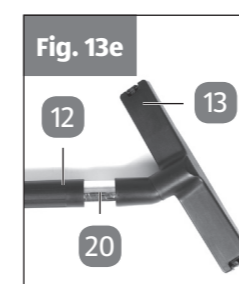
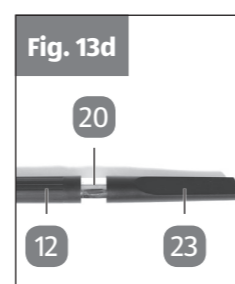
2. Fitting the handle 1 (Fig. 9)

- Once the correct filter is fitted, Fit the handle 1 (Fig. 9), by refitting the motor unit 3 onto the metal tank 8 & make sure that both of the locking hooks 7 lock into place correctly. Then use a PH2 star-headed screwdriver (not supplied) to fully secure the handle 1 using both of the screws 21.



3. Fitting the suction hose (Fig. 13a - 13e)

- To extend the suction hose 11 you can attach one or more of the elements which make up the 3-part suction tube 12 to the suction hose 11. With the adapter 20 fitted into the end of the suction tube 12, either the Combination nozzle 13, or the Crevice nozzle 23 can also be fitted.
- Vacuuming – Connect the suction hose 11 to the suction hose connector 9.
- Blowing – Connect the suction hose 11 to the blow connector 10.



4. Using for the first time

1. Connecting up the machine and switching it on (Fig. 1)

- Connect the 13A plug 28 on the vacuum cleaner power cable (Fig. 1) either to a 13A socket on the mains supply or via a 13A, 3-core extension power cable to a 13A socket on the mains supply.

2. The 3-position ON/OFF switch (Fig. 14)

- The vacuum cleaner can be switched ON (switch position 'I') and OFF (switch position '0') by using the ON/OFF switch 2 (Fig. 14 - Item 2).
- When the switch is set to the Automatic mode (switch position 'AUTO') and a power tool is connected to the 13A socket T, then operating the power tool will switch the vacuum cleaner ON/OFF. (Note that the vacuum cleaner will run for a few seconds after the tool is switched off, to assist in removing residual dust etc., in the power tool and cleaner system).

3. Dry vacuuming

- For dry-vacuuming, use the pleated filter 15 (Fig. 7c) Always ensure that the filters are securely seated.

4. Wet vacuuming

- For wet-vacuuming, use the foam filter 16 (Fig. 11). Always ensure that the filters are securely seated.

5. Water drain outlet (Fig. 1)

- To make the tank 8 easier to empty after wet vacuuming, it is fitted with a water drain outlet 19 (Fig. 1) with a removable screw cap. Open the screw cap 19 by turning it anticlockwise and drain the liquid. Then refit the cap and fully tighten.

- The wet and dry vacuum cleaner is not suitable for the vacuuming of combustible liquids. For wet vacuuming, use only the supplied foam filter. Do not vacuum liquids with a temperature above 40°C.

6. Automatic mode (Fig. 1 & 14)

- Connect the 13A plug and power cable of your electric tool to the automatic socket-outlet 6 and connect the suction hose 11 to the vacuuming connector of your electric tool. Check that the connections are secure and air-tight.

- Set the switch 2 on the wet and dry vacuum cleaner to position 'AUTO' (automatic mode). The moment you switch on the electric tool, the wet and dry vacuum cleaner switches on as well. When you switch off the electric tool, the wet and dry vacuum cleaner switches off as well after a pre-set delay.

7. Blowing (See Fig. 13b)

- Connect the suction hose 11 to the blow connector 10 on the wet and dry vacuum cleaner.

Before starting the equipment

- If you are connecting a power tool to the wet & dry vacuum cleaner then wearing personal protective gear such as, safety gloves, non-slip safety shoes, long trousers, snug fitting clothing, eye protection and ear protection reduces the risk of injury. If you have long hair, wear a hair net. Never use a power tool connected with a wet & dry vacuum cleaner whilst barefoot or in sandals.

- Before you connect the equipment to the mains supply make sure that the data on the rating plate matches that of your local supply. Failure to do this may result in an electric shock, fire and/or serious injury and/or damage to the machine due to an incorrect supply rating.

⚠ WARNING!

Read and follow the operating instructions and safety information before using for the first time. Failure to follow the safety notes and instructions may result in an electric shock, fire and/or serious injury and/or damage to the machine.

Please refer to the operating instructions for all other information.