



Garden Pump NGP 110 i

Art.-No.: 41.814.31

Bar code: 4006825514834

Sales unit: 1 pc

The high performance garden pump can be used for garden irrigation as well as for re-pumping of tap water or rain water. Powered by an asynchronous motor with thermal protection. The pump housing is made of corrosion resistant stainless steel.

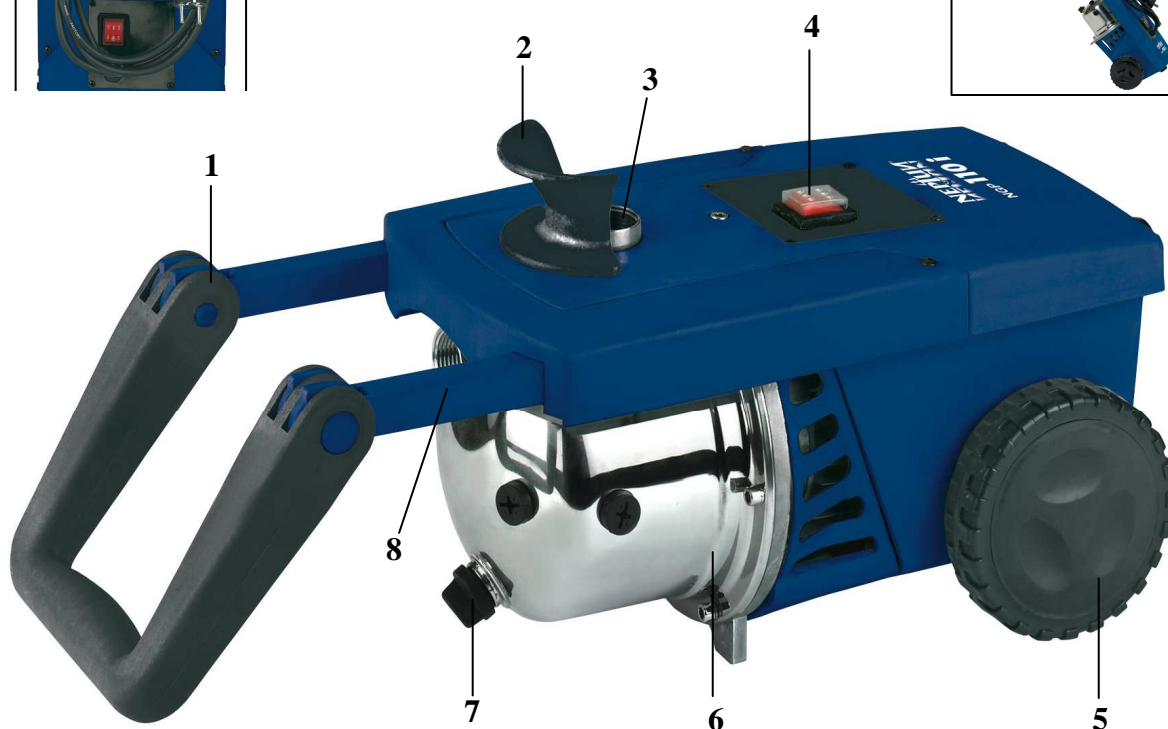
The large wheels as well as the extendable handle enables an easy transport to the location. In addition the mains cable can be rolled up comfortably on the integrated cable support.

Features:

- Extendable handle (1)
- Integrated cable rolling (2)
- Pressure connection (3)
- ON-/OFF-switch (4)
- Large wheels for easy transport (5)
- Housing made of stainless steel (6)
- Water drain screw (7)
- Suction connection (8)

Technical data:

- | | |
|-------------------------------------|--------------------|
| - Mains: | 230 V ~ 50 Hz |
| - Power: | 1100 watts |
| - Delivery capacity max.: | 4600 l/h |
| - Delivery height max.: | 48 m |
| - Suction height max.: | 6 m |
| - Pressure- and suction connection: | IG 1" |
| - Water temperature max.: | 35 °C |
| - Weight: | 11.8 kg |
| - Packing dimensions: | 475 x 250 x 275 mm |



Abbildungen können nicht im Serien-Lieferumfang enthaltenes Zubehör darstellen / Illustrations can contain accessories, which are not included in standard extent of delivery.

Abbildungen ähnlich, produktionsbedingte Abweichung vorbehalten / Illustration similar (in design), production-wise modifications reserved

File: S:\shared-pool\Product-Dokumentation\T-Produktbeschreibung\30_n0t\Originale_Englisch_PA04\4181431_01015.doc

Erstelldatum / create date: 23.12.2005 11:23:00

Aktualisiert / up dated: 16.02.2007