

GARDENLINE®

Electric Blower Shredder Vac

Operating Instructions - User Guide



After Sales Support

Now you have purchased a Gardenline® product you can rest assured in the knowledge that as well as your 3 year parts and labour guarantee you have the added peace of mind of dedicated helplines and web support.

AFTER SALES SUPPORT

 GB 0151 649 1500  www.einhell.co.uk
IRE 1890 946244

MODEL: GLBV 2500, 8027, 08/2014

Contents

Page	
3	Welcome
4-7	General Information and Safety Instructions
8-9	Assembly and Parts List
10-14	Instructions
15-18	Useful information
19	FAQ
21	Warranty Card



Congratulations!

You have made an excellent choice with the purchase of this quality Gardenline® product.

By doing so you now have the assurance and peace of mind which comes from purchasing a product that has been manufactured to the highest standards of performance and safety, supported by the high quality standards of ALDI.

We want you to be completely satisfied with your purchase so this Gardenline® product is backed by a comprehensive manufacturer's 3 year warranty and an outstanding after sales service through our dedicated Helpline.

We hope you will enjoy using your purchase for many years to come.

If you require technical support or in the unlikely event that your purchase is faulty please telephone our Helpline for immediate assistance. Faulty product claims made within the 3 year warranty period will be repaired or replaced free of charge provided that you have satisfactory proof of purchase (keep your till receipt safe!). This does not affect your statutory rights. However, be aware that the warranty will become null and void if the product is found to have been deliberately damaged, misused or disassembled.

IMPORTANT!

Read and follow the operating instructions and safety information before using for the first time.

When using equipment, a few safety precautions must be observed to avoid injuries and damage. Please read the complete operating manual with due care. Keep this manual in a safe place, so that the information is available at all times. If you give the equipment to any other person, give them these operating instructions as well. We accept no liability for damage or accidents which arise due to non-observance of these instructions and the safety information.

Safety Information

General instructions

Read the complete operating manual with due care. Acquaint yourself with the controls and how to use the tool.

- All people (including children) who, for reasons of physical, sensory or mental ability or inexperience or lack of knowledge, are not in a position to be able to use this device safely, should not use the device unsupervised or without instruction by or from a responsible person. Children must always be supervised in order to ensure that they do not play with the device.
- Never allow children to use the tool.
- Never allow other people, who are not familiar with the operating instructions to use the tool.
- Never use the tool when there are people, particularly children or pets nearby.
- The user is responsible for any accidents or hazards suffered by third parties or their property.

Preparation

- Always wear sturdy footwear and long trousers when using the tool. Never wear loose fitting clothes or jewellery. They may get drawn into the suction opening. Rubber gloves and non-slip shoes are recommended when working outdoors.
- Wear a hair net if you have long hair. During use, this will help prevent long hair becoming drawn into the Suction Tube or the vent apertures in the motor housing.
- Wear full facial protection while you work.

- Use a dust mask when working on dusty jobs.
- Always check the tool, the power cable and the extension cable before using the tool. Only operate the tool when it is in good working order and is not damaged in any way. Damaged parts have to be replaced immediately by a qualified electrician.
- Never use the tool if any of its safety devices or guards are damaged or if any safety attachments such as deflectors and/or debris catching devices are missing.
- When working outdoors, use only extension cables which are approved for outdoor use. Extension cables must have a minimum cross section of 1.5 mm². The plug connections must be splash-proof.
- The tool can be connected to any UK 13A socket-outlet (with 230 V AC) where the socket-outlet has to be safeguarded by a fuse or circuit breaker rated at 16A or higher, and a Residual Current Device (RCD). The operating current of the RCD must not exceed 30 mA. A 13A fuse must be fitted into the UK 13A plug which is fitted to the tool.

Operation

- Always trail the power cable behind the tool.
- If the power cable or extension cable is damaged, pull the plug out of the socket.

CAUTION!

Never touch the cable before the plug has been pulled out of the socket.

- NEVER pull out the plug by pulling on the power cord. Always grip the plug to remove from the outlet.
- Do not carry the tool by its power cable.
- Always pull out the power plug:
 - When the tool is not being used, when it is being transported or when you leave it unsupervised.
 - When you are checking the tool, cleaning it or removing blockages.
 - When you want to carry out cleaning or maintenance work on the tool or replace accessories.
 - After the tool impacts with foreign bodies or you notice unusual vibrations.
- Use the tool only in broad daylight or in well-lit conditions.
- Do not underestimate the forces involved. Make sure you stand squarely and keep your balance at all times.

- If possible, avoid using the tool on wet grass.
- Ensure that you maintain a steady foothold particularly while working on slopes.
- Never run carrying the equipment.
- Always keep the ventilation opening clean.
- Never direct the vacuum/blow hole at people or animals.
- The machine may only be used at reasonable times of the day, i.e. not in the early morning or late evening when it will be a nuisance to other people. Permitted times of use specified by local authorities must be observed.
- The machine must be run at the lowest possible motor speed required to carry out the work.
- Remove all foreign objects with a rake and brush before starting any blowing or vacuuming work.
- Where conditions are dusty, dampen the surface a little or use a sprinkler attachment.
- Use the full-length blower nozzle extension so that the air current can work near to the ground.
- Watch out for children, pets, open windows etc. and blow the foreign objects safely away from them.

Maintenance and storage

- Check that all nuts, bolts and screws are securely tightened in order to be sure that the machine is in a safe working condition.
- Frequently check the debris bag for signs of wear and deformation.
- Use only genuine accessories and spare parts. To order replacement bags call the after sales helpline on 0151 649 1500 or go to www.einhell.co.uk.
- For your own safety, replace worn or damaged parts without delay.
- Electric tools should be kept in a dry place when not in use.
- If the mains cable for this device is damaged, it must be replaced by the manufacturer or its after-sales service or similarly trained personnel to avoid danger.

CAUTION!

Read all safety regulations and instructions.

Any errors made in following the safety regulations and instructions may result in an electric shock, fire and/or serious injury.

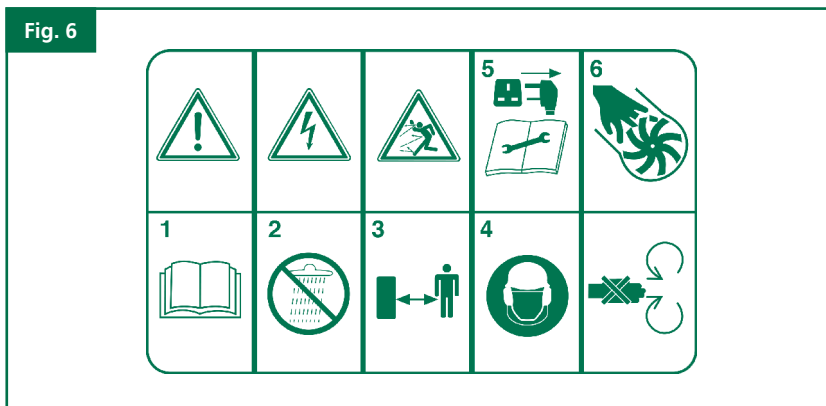
IMPORTANT!

Keep all safety regulations and instructions in a safe place for future use.

Explanation of the warning signs on the equipment (see Fig. 6)

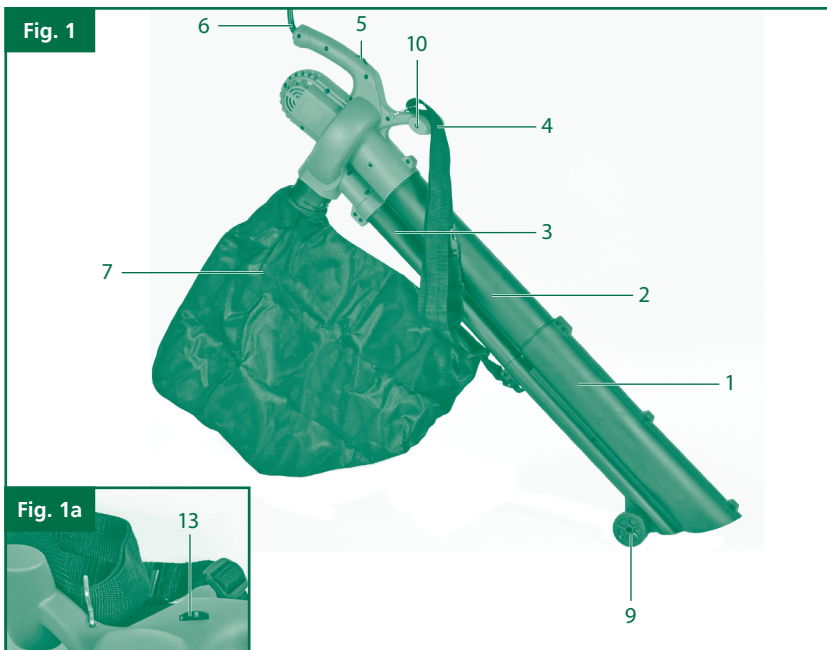
1. Read the directions for use before operating the tool.
2. Do not use the tool in rain or snow. Do not expose the tool to wet conditions.
3. Keep all other people away from the working areas.
4. Wear full facial protection and ear defenders.
5. Switch off the tool and pull out the power plug before carrying out any cleaning or maintenance work.
6. Rotating parts. Keep your hands and feet away from all openings.

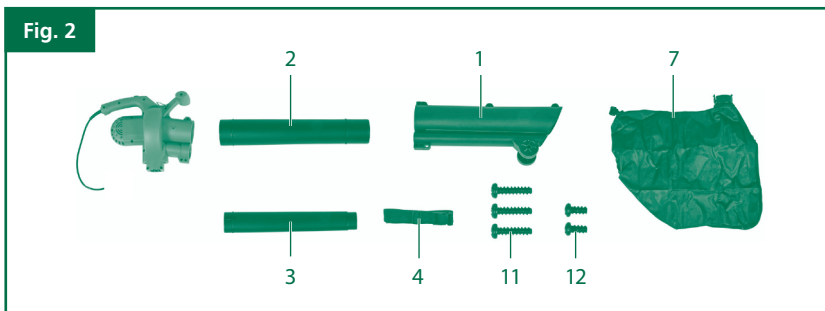
Fig. 6



Layout (see Fig. 1-3)

1. Front suction tube
2. Rear suction tube
3. Rear blower tube
4. Carrying strap
5. On/Off switch
6. Power cable
7. Debris bag
8. Selector switch for blower/vac
9. Castors
10. Handle
11. Screws (long) for fitting the suction tube
12. Screws (short) for fitting the suction tube
13. Speed controller





Proper use

The garden blower vac is designed to handle only foliage and garden refuse such as grass and small branches. Any other use is prohibited.

The equipment is to be used only for its prescribed purpose. Any other use is deemed to be a case of misuse. The user / operator and not the manufacturer will be liable for any damage or injuries of any kind caused as a result of this.

Please note that our equipment has not been designed for use in commercial, trade or industrial applications. Our warranty will be void if the machine is used in commercial, trade or industrial businesses or for equivalent purposes.

Any damage done inside the machine by vacuuming foreign objects such as sharp stones and metal objects, will void the warranty.

Instructions

Before starting the equipment

Before you connect the equipment to the mains supply make sure that the data on the rating plate is identical to that of your mains supply. Always disconnect the power before making adjustments to the equipment.

Start up the equipment only when fully assembled. Always inspect the power cable for damage before starting up. The equipment may be used only if the cable is in perfect condition.

Fitting the suction tube (Fig. 3a-3d)

First plug together the front suction tube (1), the rear suction tube (2) and the rear blower tube (3) (Fig. 3a). Then screw together the tubes using the screws provided (Fig. 3b/Item 11). Finally, plug the suction tube into the motor housing (Fig. 3c) and screw it in place with the screw (Fig. 3d/Item 11) and with one screw on each side (Fig. 3d/Item 12).

NOTE!

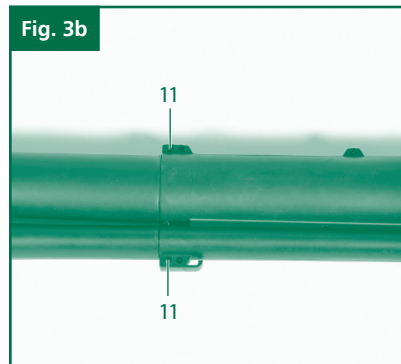
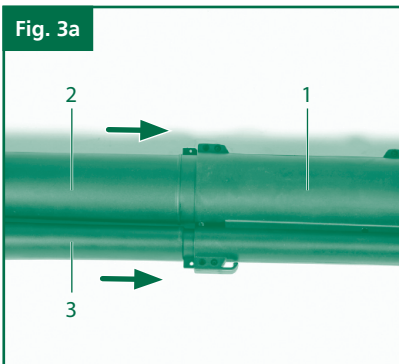
Do not disassemble the suction tube once it has been assembled.

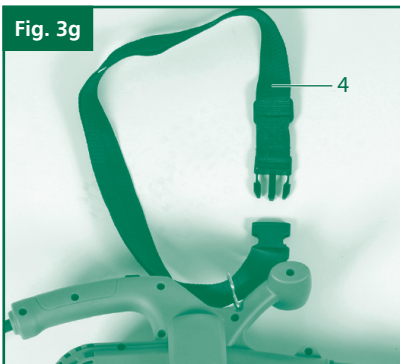
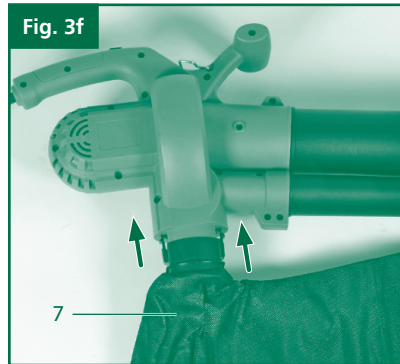
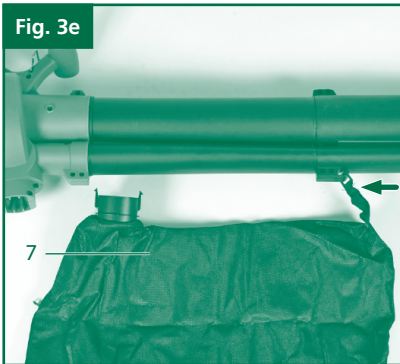
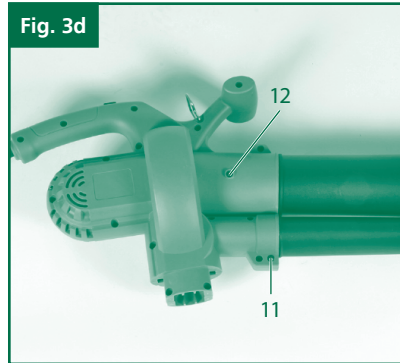
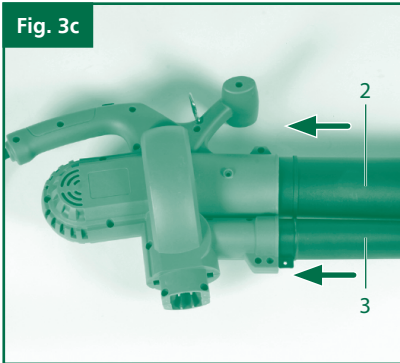
Fitting the debris bag (Fig. 3e-3f)

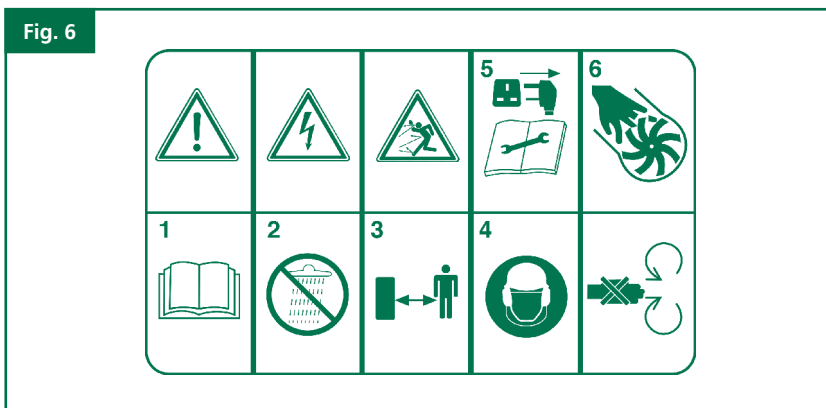
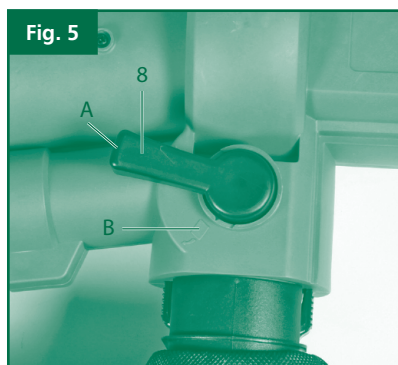
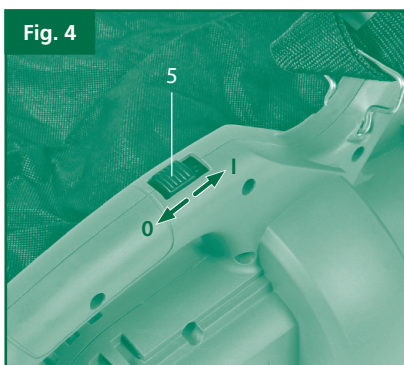
First hang the eyelet on the hook on the suction tube (Fig. 3e). Then slip the debris bag (Fig. 3f/Item 7) connector over the port on the motor housing. Make sure that there is an audible click when the plastic latches engage.

Fitting the carrying strap (Fig. 3g)

Pass the carrying strap (Fig. 2/Item 4) through the metal eyelet as shown in Fig. 3g and close the quick fastener.







Operation

Adjusting the strap (Fig. 1 & Fig. 3g)

Adjust the length of the carrying strap (4) so that the vacuum tube just clears the ground. The guide rollers (9) at the bottom end of the suction tube will help you to manoeuvre the suction tube on the ground.

Connecting the tool to the power supply and switching on (Fig. 4)

The tool can be connected to any UK 13A socket-outlet (with 230 V AC) where the socket-outlet has to be safeguarded by a fuse or circuit breaker rated at 16A or higher, and a Residual Current Device (RCD). The operating current of the RCD must not exceed 30 mA. A 13A fuse must be fitted into the UK 13A plug which is fitted to the tool.

Instructions

- Insert the tool plug into the power cord into your outdoor socket or the socket of the extension cable if one is being used.
- To switch on, push the ON/OFF switch (Fig.4/Item 5) forward, toward "I".
- To switch off, push the ON/OFF switch (Fig. 4/Item 5) backward, toward "0".
- If you need to use an extension cord then this must be suitable for outside use and of suitable capacity, the minimum is 2 x 1.5 mm². Be sure to fully unwind the extension cord to avoid possible overheating. Insert the tool plug on the power cord into your 13A outdoor socket or the 13A socket of the extension cable if one is being used.

Selecting the mode of operation

Suction – Vacuum and shredding (mulch) (Fig. 5)

- Turn the lever (Fig. 5/Item 8) up to position A for the vacuum & shredding (mulch) function. You can do this both when the equipment is at a standstill and while it is running.

Blowing (Fig. 5)

- Turn the lever (Fig. 5/Item 8) down to position B. You can do this both when the equipment is at a standstill and while it is running.
- Channel the air stream forward and walk slowly to blow foliage or garden refuse into a pile or to clear out hard-to-reach places.

CAUTION!

Empty the debris bag before blowing. Otherwise, the material that has been vacuumed up could drop out.

Emptying the debris bag (Fig. 1)

Empty the debris bag (7) in good time. When the bag is heavily loaded with material, the vacuum power is considerably reduced. Deposit organic refuse at a compost site.

- Switch off the tool and pull out the plug.
- Open the zipper on the debris bag (7) and shake out the material.
- Close the zip on the debris bag (7) again.

Speed control (Fig. 1a)

The device is fitted with an electronic speed controller. To use it, turn the speed controller (Fig. 1a/Item 13) to the desired position. Use the device only with the speed which is actually required and do not let it run at a speed which is faster than necessary.

Instructions

Replacing the power cable

If the power cable for this equipment is damaged, it must only be replaced by a qualified technician to avoid danger.

Cleaning, maintenance and ordering of spare parts

Always pull out the mains power plug before starting any cleaning work.

Cleaning

- Keep all safety devices, air vents and the motor housing free of dirt and dust as far as possible. Wipe the equipment with a clean cloth or blow it with compressed air at low pressure.
- We recommend that you clean the device immediately each time you have finished using it.
- Clean the equipment regularly with a moist cloth and some soft soap. Do not use cleaning agents or solvents; these could attack the plastic parts of the equipment. Ensure that no water can seep into the device.
- After shaking out the debris bag, turn it inside out and thoroughly clean and dry it in order to prevent mould and unpleasant odours from forming.
- You can use soap and water to clean out a heavily soiled debris bag. Rub a bar of dry soap across the zipper teeth if the zipper becomes difficult to pull.
- Clean the vacuum/blower tube with a brush upon evidence of dirt and grime.
- Dirt and grime can make the switch (blower/vacuum) more difficult to operate as a result of the material that swirls up off the ground. When this occurs, simply flip the switch back and forth a few times, which should bring it back to the normal operation.

Maintenance

- Should the tool experience problems beyond those mentioned above, let only an authorised professional or a customer service shop perform an inspection.
- There are no parts inside the equipment which require additional maintenance.

Ordering replacement parts


Please quote the following data when ordering replacement parts:

- Type of machine (GLBV 2500)
- Article number of the machine (34.332.61)
- Identification number of the machine (11014)
- Replacement part number or description of the part required

For our latest prices and information please go to www.einhell.co.uk

Useful Information

Technical data

AC motor	230-240 V ~ 50 Hz
Output	2500 W
No load speed n_0	7000-15000 min ⁻¹
Protection class	II / 
Air velocity	240 km/h
Suction rate	780 m ³ /h
Volume of debris bag approx.	40 l
Sound volume level $L_{WA,d}$	104 dB (A)
Sound pressure level $L_{pA,d}$	83 dB (A)
Vibration a_{hv}	2.5 m/s ²
Weight	3.7 kg

Keep the noise emissions and vibrations to a minimum

- Only use appliances which are in perfect working order.
- Service and clean the appliance regularly.
- Adapt your working style to suit the appliance.
- Do not overload the appliance.
- Have the appliance serviced whenever necessary.
- Switch the appliance off when it is not in use.
- Wear protective gloves.

Residual risks

Even if you use this electric power tool in accordance with these instructions, certain residual risks cannot be ruled out. The following hazards may arise in connection with the equipment's construction and operation:

- 1 Damage to hearing if no suitable ear protection is used.
- 2 Health damage caused by hand-arm vibrations if the equipment is used over a prolonged period or is not properly guided and maintained.

Troubleshooting

Fault	Possible cause	Remedy
The motor does not start.	No voltage present.	Check the power cord and fuses.
	Power cord defective.	Check power cord.
	Motor terminals disconnected.	Have the unit checked by a qualified technician.



Disposal and recycling

The unit is supplied in packaging to prevent it being damaged in transit. This packaging is raw material and can therefore be reused or can be returned to the raw material system.

The unit and its accessories are made of various types of material, such as metal and plastic. Defective components must be disposed of as special waste. Ask your dealer or your local council.



For EU countries only

Never place any electric tools in your household refuse.

To comply with European Directive 2002/96/EC concerning old electric and electronic equipment and its implementation in national laws, old electric tools have to be separated from other waste and disposed of in an environment-friendly fashion, e.g. by taking to a recycling depot.

Recycling alternative to the demand to return electrical devices: As an alternative to returning the electrical device, the owner is obliged to cooperate in ensuring that the device is properly recycled if ownership is relinquished. This can also be done by handing over the used device to a returns centre, which will dispose of it in accordance with national commercial and industrial waste management legislation. This does not apply to the accessories and auxiliary equipment which are included with the used device.

The reprinting or reproduction by any other means, in whole or in part, of documentation and papers accompanying products is permitted only with the express consent of Einhell UK Ltd.

ISC GmbH · Eschenstraße 6 · D-94405 Landau/Isar

**Declaration of Conformity**

- erklårt følgende Konformitat gema EU-Richtlinie und Normen fur Artikel
 explains the following conformity according to EU directives and norms for the following product
 declare la conformite suivante selon la directive CE et les normes concernant l'article
 dichiara la seguente conformita secondo la direttiva UE e le norme per l'articolo
 verklaart de volgende overeenstemming conform EU richtlijn en normen voor het product
 declara la sigulente conformida a tenor de la directiva y normas de la UE para el artculo
 declara a seguinte conformidade, de acordo com a directiva CE e normas para o artigo
 attesterer folgende overensstemmelse i medfor af EU-direktiv samt standarder for artikel
 forklarar foljande overensstammelse enl. EU-direktiv och standarder for artikeln
 vakuuttaa, etta tuote tayttaa EU-direktiivin ja standardien vaatimukset
 toendab toote vastavust EL direktiivile ja standarditele
 vydava nasledujici prohlašení o shode podle smernice EU a norem pro vyrobek
 potrjuje sledečo skladnost s smernico EU in standardi za izdelek
 vydava nasledujuce prehlašení o zhode podl'a smernice EU a noriem pre vyrobok
 a cikkekhez az EU-iranyvonal es Normak szerint a kovetkezo konformitast jelenti ki
 deklaruje zgodnoc wymienionego poniżej artykułu z nastepujacymi normami na podstawie dyrektywy WE.
 декларира съответното съответствие съгласно Директива на ЕС и норми за артикул
 paskaidro šadu atbilstību ES direktīvai un standartiem
 apibūdzina šj atbilstīgu EU reikalavimams ir prekės normoms
 declara urmatoarea conformitate conform directivei UE și normelor pentru articolul
 dhlwnei tyn akolouthei symmorfwse symfwna me tyn Odhgia EK kai ta protwta gia to proiwon
 potvrduje sljedeću usklađenost prema smjernicama EU i normama za artikl
 potvrduje sljedeću usklađenost prema smjernicama EU i normama za artikl
 potvrduje sledeću usklađenost prema smernicama E i normama za artikl
 следующим удостоверяется, что следующие продукты соответствуют директивам и нормам ЕС
 проголошує про зазначену нижче відповідність виробу директивам та стандартам ЄС на виріб
 ja izjavuva slednata sobornost soglasno EU-direktivata i normite za artikli
 Ürünü ile ilgili AB direktifleri ve normları gereğince aşığıda açıklanan uygunluğu belirtir
 erklærer følgende samsvar i henhold til EU-direktivet og standarder for artikkel
 Lysir uppfyllingu EU-reglna og annarra staðla vöru

Leaf Vacuum GLBV 2500 (Gardenline)

- 87/404/EC_2009/105/EC
 2005/32/EC_2009/125/EC
 2006/95/EC
 2006/28/EC
 2004/108/EC
 2004/22/EC
 1999/5/EC
 97/23/EC
 90/396/EC_2009/142/EC
 89/686/EC_96/58/EC
 2011/65/EC
 2006/42/EC
 Annex IV
 Notified Body:
 Notified Body No.:
 Reg. No.:
 2000/14/EC_2005/88/EC
 Annex V
 Annex VI
 Noise: measured $L_{WA} = 101,36$ dB (A); guaranteed $L_{WA} = 104$ dB (A)
 $P = 2,5$ kW; $L/O =$ cm
 Notified Body:
 2004/26/EC
 Emission No.:

Standard references: EN 60335-1; EN 62233;
EN 55014-1; EN 55014-2; EN 61000-3-2; EN 61000-3-3

Landau/Isar, den 18.03.2014

Weichselgartner/General-Manager

Liu/Product-Management

First CE: 11
Art.-No.: 34.332.61 I.-No.: 11014
Subject to change without notice

Archive-File/Record: NAPR010482
Documents registrar: Scheiff Alexander
Wiesenweg 22, D-94405 Landau/Isar



<p>How do I claim for a warranty matter?</p>	<ul style="list-style-type: none"> - Fill in the Warranty card and send to the Einhell UK Ltd Address. - Contact Einhell UK Ltd, using one of the Telephone numbers for AFTER SALES SUPPORT. - Or contact via the Einhell UK Ltd website.
<p>How do I obtain spare parts (not covered by the warranty)?</p>	<p>Make sure you have the information from the product data label, or page 14 of this manual, and then: -</p> <ul style="list-style-type: none"> - Contact Einhell UK Ltd, using one of the Telephone numbers for AFTER SALES SUPPORT, and choose the option for Spare Parts. - Or contact via the Einhell UK Ltd website, where spares information & prices are available.
<p>What do I do if I accidentally cut the mains cable?</p>	<p>To avoid danger, immediately unplug from the mains supply and get an electrician or suitably qualified person to: -</p> <ul style="list-style-type: none"> - Fit a waterproof connector to re-join the cable. - Or replace the mains cable into the unit.





Electric Blower Shredder Vac

IMPORTANT!

KEEP THIS FORM SAFE: Only complete and return this form to the address below in the unlikely event of a warranty claim, if you are requested by the manufacturer to return the item for replacement. Then please complete this form and send it together with your receipt (proof of purchase) to the address below.

Your details:

Name _____

Address _____



Email _____

Date of purchase* _____

*We recommend you keep the receipt with this warranty card

Location of purchase _____

Description of malfunction:

Return your completed warranty card to:

Einhell UK Ltd
Unit 9, Stadium Court
Wirral International Business Park
Plantation Road
Bromborough
CH62 3QG

www.einhell.co.uk/warranty

AFTER SALES SUPPORT

GB 0151 649 1500
IREL 1890 946244

www.einhell.co.uk

MODEL: GLBV 2500, 8027, 08/2014

Monday to Thursday 8:45am - 5pm,
Friday 8:45am - 3pm. Calls cost 10p
per minute from a landline, calls from
mobiles may vary.

3

YEAR WARRANTY





