

MAINTENANCE

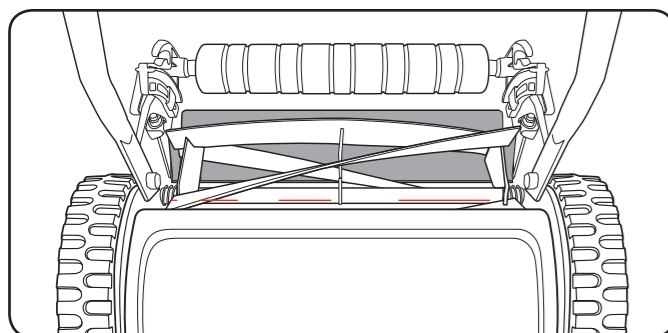
General Maintenance

- Keep all nuts, bolts and screws tight to be sure the mower is in a safe working condition.
- Replace worn or damaged parts for safety.
- Be careful during adjustments of the hand lawn mower to prevent entrapment of the fingers between moving blade and fixed parts of the machine.

Sharpening the blades

Before taking the time and effort to sharpen the blades, make sure that it needs sharpening. Most of all issues can be solved by ensuring the blades are properly adjusted (**ADJUSTMENTS** section).

1. Prop up the push reel mower so that the blade reel can be rotated by turning the wheels.
2. Check the blades for nicks and burrs. If any damage is found, it usually can be removed by holding a file flat against the blade and pushing away from the edge.
3. Examine the cutting bar. It should just meet the blades along their entire length. (To make sure the cutting bar is located correctly, grasp a wheel and turn it forward; you should hear a whispery sound as the blades pass the cutting bar).



4. If the bar is out of alignment, adjust using the adjustment nuts on the ends of the bar (**ADJUSTMENTS** section).
5. Using off paintbrush, cover the blades with a thin, even coat of automotive valve-grinding compound (available at automotive stores).
6. Grasp a wheel and turn it slowly backward so the grinding compound is squeezed between the blades and the cutting bar, thereby sharpening both cutting edges as they pass each other. Be sure that each blade touches the bar as the wheel is rotated.
7. Make about a dozen turns, applying more grinding compound when necessary.
8. Examine the blade edges. If they look sharp, wash off all the valve compound with soapy water and rinse thoroughly.
9. Test for sharpness. Insert a sheet of newspaper between the blades and the cutting bar, and rotate the reel forward. When the blades cut the paper as easily and as cleanly as a sharp pair of scissors would, the task is complete.

NOTE: After each use, hose the mower clean and wipe it dry. Wipe all the metal parts with a thin film of WD-40 or mineral oil.

WARNING: SHARPEN BLADES ONLY BY HAND. THE HEAT GENERATED BY A POWER GRINDER OR AN ELECTRIC DRILL WITH A GRINDING WHEEL ATTACHED CAN DESTROY THE TEMPER OF THE METAL. WEAR THICK LEATHER GLOVES WHEN HANDLING THE BLADE REEL AND CUTTER BAR AND MAKE SLOW, PRECISE MOVEMENTS TO AVOID CUTTING OR JAMMING YOUR FINGERS.

TROUBLESHOOTING

Problem	Cause	Remedy
Unusual noises	- Loose screws/parts	- Tighten the screws
	- Foreign bodies stuck in blades	- Remove the foreign bodies
	- Damaged blade	- Have the blade replaced
Unsatisfactory cutting results	Wrongly adjusted blade	- Set the counter blade
	- Wrongly adjusted blade	- Set the counter blade
	- Blunt blade	- Have the blade sharpened or replaced

SERVICE INFORMATION

Please note that the following parts of this product are subject to normal or natural wear and that the following parts are therefore also required for use as consumables.

Category	Example
Wear parts*	Mowing spindle
Consumables*	
Missing parts	

* Not necessarily included in the scope of delivery!

SPARE PARTS

Spare parts can be ordered from the Special Orders Desk at your local Bunnings Warehouse or Homebase store. For further information, or any parts visit www.ozito-diy.co.uk or contact Ozito Customer Service: Great Britain: 0151 294 4488 Ireland: 1850 882711 E-mail: info@ozito-diy.co.uk

DESCRIPTION OF SYMBOLS

		Warning - Read the operating instructions to reduce the risk of injury
		Important! Keep other persons and animals away from the danger zone!
		Caution! - Sharp blades
		Take care when the blades are rotating. Do not put your hands or feet into openings when the machine is running.

SAFETY INSTRUCTIONS

1. Never allow children or people unfamiliar with these instructions to use the mower.
2. Only use the mower in the manner and for the functions described here in.
3. Never operate the mower when you are tired, ill or under the influence of drugs, alcohol or medicine.
4. The operator or user is responsible for accidents or hazards occurring to other people or their property.
5. Use the mower only in daylight or good artificial light.
6. Avoid operating your mower in wet grass, where feasible.
7. Take care in wet grass, you may lose your footing.
8. On slopes be extra careful of your footing and wear non-slip footwear.
9. Mow across the face of slopes, never up and down.
10. Exercise extreme caution when changing direction on slopes. Walk, never run.
11. Mowing on banks and slopes can be dangerous. Do not mow on banks or steep slopes.
12. Do not walk backwards when mowing, you could trip.
13. Never cut grass by pulling the mower towards you.
14. Never operate the mower with damaged guards or without guards in place.
15. Keep hands and feet away from the blade at all times and especially when the mower is in use.
16. Do not put hands near the blades during operation.

PUSH LAWN MOWER SAFETY

Safety information for lawn mowers

- Check the machine for signs of damage before use. Repairs may only be carried out by our service workshop.
- Worn parts may only be replaced by our service workshop. If necessary contact the service address provided.

How to use lawn mowers safely

Training

- a) Read the directions with due care. Familiarize yourself with the operator controls and proper operation of the machine.
- b) Never allow children or other persons who are not familiar with the operating instructions to use the mower. Contact your local governmental agency for information regarding minimum age requirements for the user.
- c) Never mow in the direct vicinity of persons -especially children - or animals.
- d) Always keep in mind that the operator or user of the equipment is responsible for accidents involving other persons and/or their property.

Preliminary measures

- a) Always wear sturdy, non-slip footwear and long trousers when using the machine. Never use the machine barefoot or in sandals. Avoid wearing loosely fitting clothes or clothing with hanging belts or cords.
- b) Check the ground on which the equipment will be used and remove all objects that could be caught up or violently flung out.
- c) Before using the scythe, visually inspect it to ensure that the blade, mounting bolts and the entire cutting apparatus are in good working order (i.e. not worn out or damaged). To prevent any imbalance, replace worn out or damaged blades and mounting bolts as a set only (if applicable).

3 YEAR REPLACEMENT WARRANTY

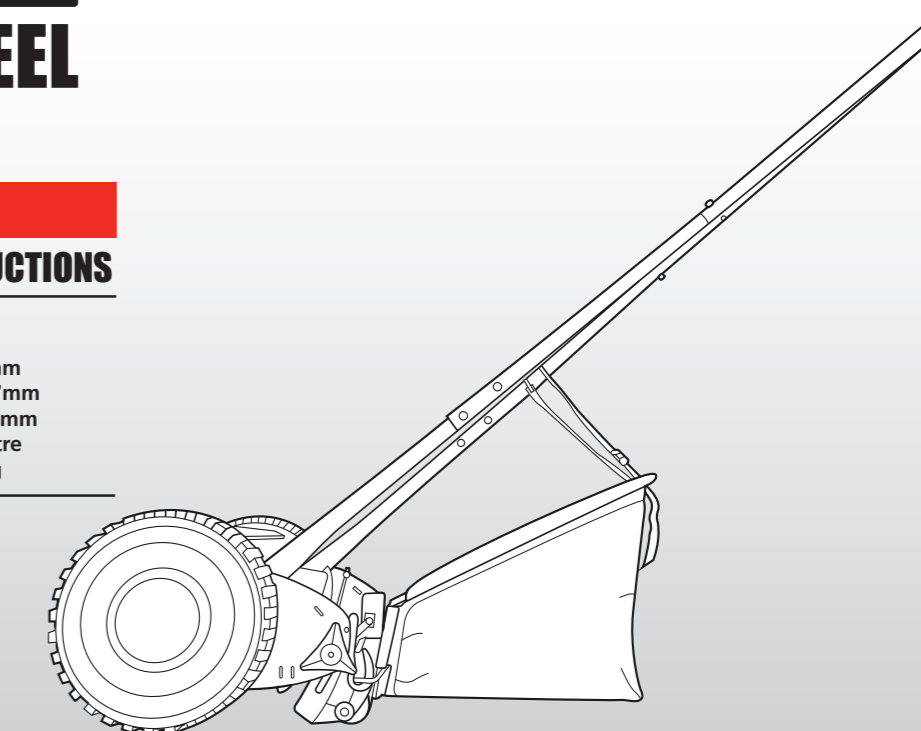
ozito PUSH REEL MOWER

300mm
ORIGINAL INSTRUCTIONS

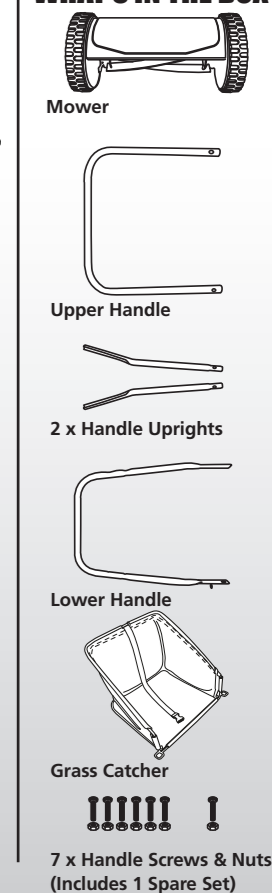
SPECIFICATIONS

Cutting Width: 300mm
Cutting Height: 14-47mm
Cutting Blade: Ø125mm
Grass Catcher: 18 Litre
Weight: 6.5kg

ozito-diy.co.uk



WHAT'S IN THE BOX



3 YEAR REPLACEMENT WARRANTY

LMP-301U

WARRANTY

All of our products undergo strict quality checks to ensure that they reach you in perfect condition. In the unlikely event that your device develops a fault, please contact our service department at the address shown on this guarantee card. You can also contact us by telephone using the customer service number shown. Please note the following terms under which guarantee claims can be made:

1. These warranty terms regulate additional warranty services, which the manufacturer mentioned below promises to buyers of its new products in addition to their statutory guarantee claims are not affected by this guarantee. Our guarantee is free of charge to you.

2. The warranty services only covers defects due to material or manufacturing faults on a product which you have bought from the manufacturer mentioned below are limited to either the rectification of said defects on the product or the replacement of the product, whichever we prefer. Please note that our devices are not designed for use in commercial, trade or professional applications. A guarantee contract will not be created if the device has been used by commercial, trade or industrial business or has been exposed to similar stresses during the guarantee period.

3. The following are not covered by our guarantee:
- Damage to the device caused by a failure to follow the assembly instructions or due to incorrect installation, a failure to follow the operating instructions (for example connecting it to an incorrect mains voltage or current type) or a failure to follow the maintenance and safety instructions or by exposing the device to abnormal environmental conditions or by lack of care and maintenance.
- Damage to the device caused by abuse or incorrect use (for example overloading the device or the use of unapproved tools or accessories), ingress of foreign bodies into the device (such as sand, stones or dust, transport damage), the use of force or damage caused by external forces (for example by dropping it).
- Damage to the device or parts of the device caused by normal or natural wear or tear or by normal use of the device.

4. Your Product is guaranteed for a period of 36 months from the original date of purchase and is intended for DIY (Do It Yourself) use only. Warranty excludes consumable parts. Guarantee claims should be submitted before the end of the guarantee period within two weeks of the defect being noticed. No guarantee claims will be accepted after the end of the guarantee period. The original guarantee period remains applicable to the device even if repairs are carried out or parts are replaced. In such cases, the work performed or parts fitted will not result in an extension of the guarantee period, and no new guarantee will become active for the work performed or parts fitted. This also applies if an on-site service is used.

IN ORDER TO MAKE A CLAIM UNDER THIS WARRANTY YOU MUST RETURN THE PRODUCT TO THE PLACE OF PURCHASE WITH YOUR REGISTER RECEIPT.

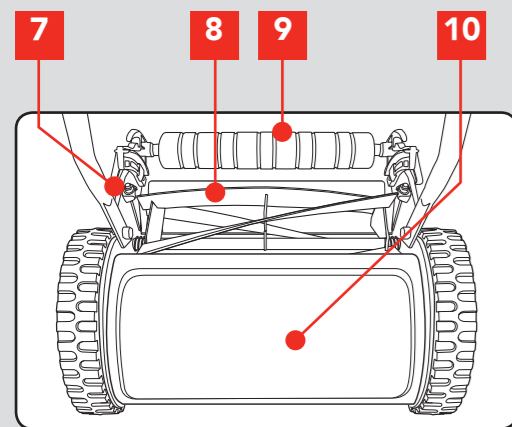
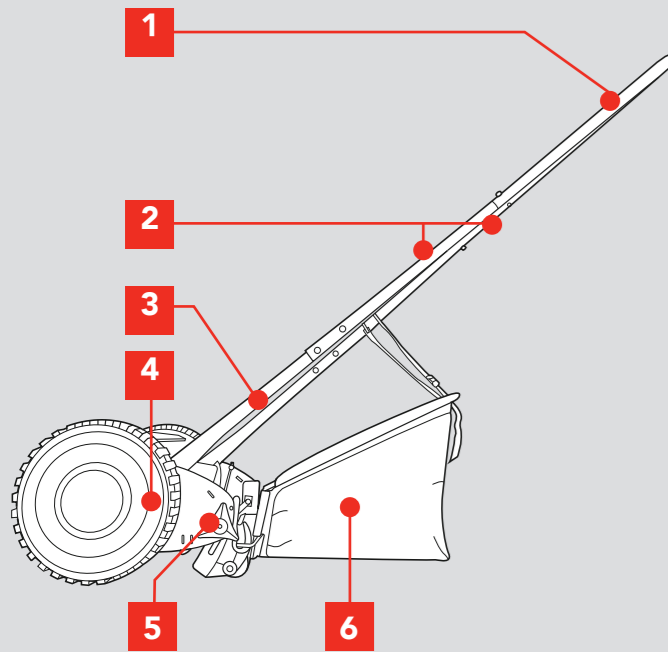
Please refer to the restrictions of this warranty concerning wearing parts, consumables and missing parts as set out in the service information in these operating instructions.

CUSTOMER SERVICE HELPLINE
GB: 0151 294 4488
IRL: 1850 882711
Ozito-diy.co.uk

KNOW YOUR PRODUCT

PUSH REEL MOWER

- | | |
|---------------------------|---------------------|
| 1. Upper handle | 6. Grass Catcher |
| 2. Handle uprights | 7. Blade adjustment |
| 3. Lower handle | 8. Blades |
| 4. Wheels | 9. Rear roller |
| 5. Height adjustment lock | 10. Blade guard |



ONLINE MANUAL

Scan this QR Code with your mobile device to take you to the online manual.



3 YEAR REPLACEMENT WARRANTY

SETUP & PREPARATION

1. BEFORE USE

Items Supplied

Please check that the article is complete as specified in the scope of delivery. If parts are missing, please contact our service centre or the sales outlet where you made your purchase at the latest within 5 working days after purchasing the product and upon presentation of a valid bill of purchase. Also, refer to the warranty table in the service information at the end of the operating instructions.

- Open the packaging and take out the equipment with care.
- Remove the packaging material and any packaging and/or transportation braces (if available).
- Check to see if all items are supplied.
- Inspect the equipment and accessories for transport damage.
- If possible, please keep the packaging until the end of the guarantee period.

Danger!

The equipment and packaging material are not toys. Do not let children play with plastic bags, foils or small parts. There is a danger of swallowing or suffocating!

Proper Use

The hand mower is designed for cutting grass.

It is intended for private use, i.e. for use in home and gardening environments. Private use here refers to the maintenance of small-scale, residential areas and does not include public facilities, sporting halls, or agricultural/forestry applications.

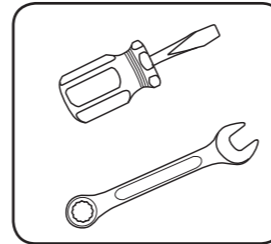
Important! Due to the high risk of bodily injury to the user, the hand mower may not be used to cut scaling vegetation, planted roofs or balcony grown grass.

The equipment is to be used only for its prescribed purpose. Any other use is deemed to be a case of misuse. The user / operator and not the manufacturer will be liable for any damage or injuries of any kind caused as a result of this. Please note that our equipment has not been designed for use in commercial, trade or industrial applications. Our warranty will be voided if the machine is used in commercial, trade or industrial businesses or for equivalent purposes.

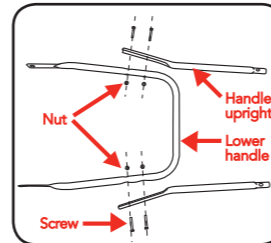
2. ASSEMBLY

Handles

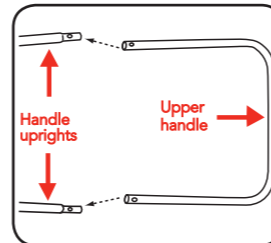
- To assemble the mower handles you will require a flat-head screwdriver and a 10mm spanner (or shifter). These tools are not included with this product.



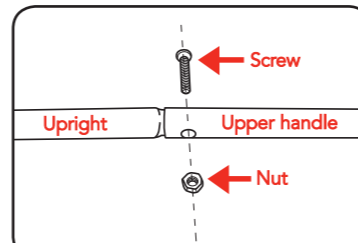
- First, select the lower handle and the two handle uprights. Fasten together using the four screws and nuts as indicated.



- Insert the two handle uprights into the upper handle.

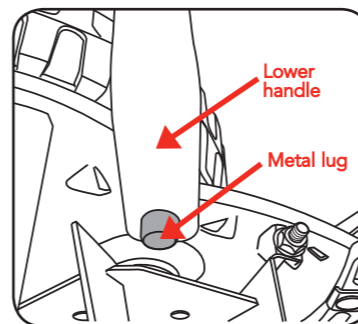


- Fasten the handle uprights and upper handle together using two screws and nuts as shown.



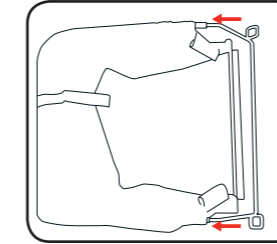
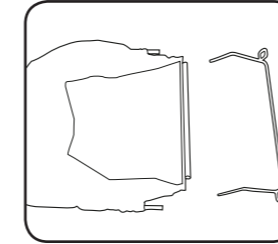
- Now the handle is fully assembled and ready to be attached to the mower head.

To attach the handle to the mower head, locate the two metal lugs found forward of the cutting bar adjustment lock nuts. Insert one of the large holes in the handle over the lug, then repeat the same process on the other side. It may be necessary to squeeze the two lower handle arms together to allow room for locating the second arm over the remaining metal lug.

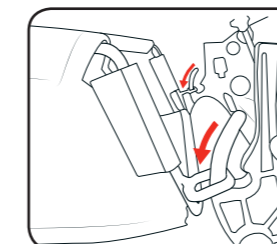
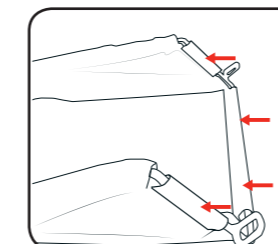


Grass Catcher

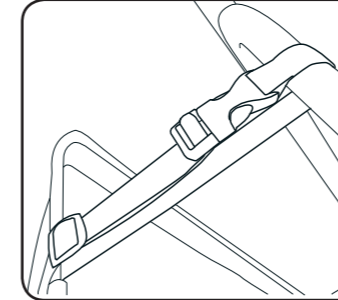
- Lay the catcher and metal bracket out.
- Fit the two ends of the bracket into the catcher body.



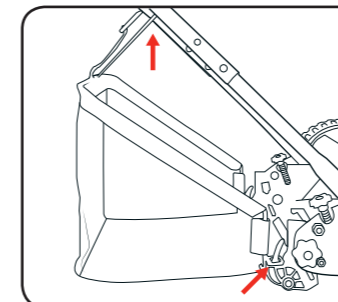
- Fit the rubber clips over the bracket.



- Fit strap over lower handle and clip together.



- Adjust strap as necessary.

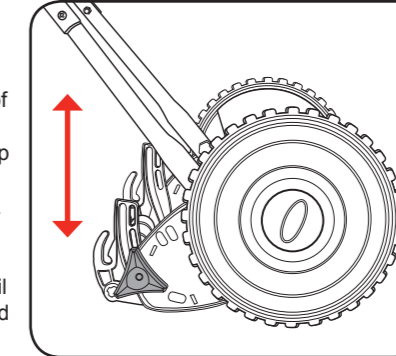


OPERATION

3. ADJUSTMENTS

Changing the Cutting Height

Changing the cutting height is quick, easy, and requires no tools. Simply loosen the locking knobs on each side of the rear roller. This enables the roller assembly to slide up or down to place the cutting bar at a different height level. Make sure the height is the same on both sides. Re-tighten the locking knobs until the roller assembly is secured in position.

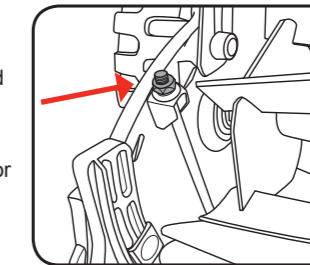


NOTE: It is essential that the height is the same on both sides of the hand lawn mower.

Adjusting the Cutting Bar to the Blades

The cutting bar should be as close to the blades as possible, when the blades are rotated manually they should make slight contact making a whispery sound (like scissors opening and closing), ensure the bar does not stop the blades from rotating.

To raise or lower the bar, loosen or tighten the adjustment nuts (using a 10mm spanner, or shifter) on the ends of the cutting bar (located behind the reel blades, above the roller as pictured).



NOTE: A small 1/16 of a turn is a major adjustment.

To loosen the blades, or move them further away from the cutting bar, loosen the cutting bar adjustment nuts on each side equally by turning them anti-clockwise.

To tighten the blades, or move them closer against the cutting bar, tighten both cutting bar adjustment nuts equally turning them clockwise. If the mower is only cutting on one side, the cutting bar may be out of alignment with the blade reel. Therefore, tighten the side of the mower that is not cutting to bring it back into alignment.

If the mower is hard to push and the blades barely turn, the cutting bar may be over tightened against the blade reel.

If the blade reel spins freely and doesn't make contact against the cutting bar, or the mower isn't cutting grass well, the cutting bar may be too loose against the blade reel.

4. HOW TO MOW

General Mowing Preparation

- While using the push reel mower always wear substantial footwear and long trousers.
- Make sure the lawn is clear of sticks, stones, wire and debris; that could be thrown by the blades.
- Before using the mower and after any impact, check for signs of wear or damage and repair as necessary.
- Sharpen worn or damaged blades.

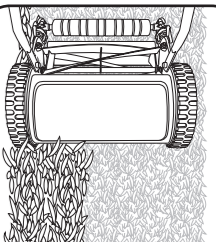
Walk at a good, steady pace

With a push reel mower, the rotation of the wheels turn the blade reel. The mower will tend to bind up and skid if it is moving at too slow a pace. The faster the wheels are travelling, the faster the blade reel turns. Therefore, moving at a comfortably quick walking pace will achieve the best results.



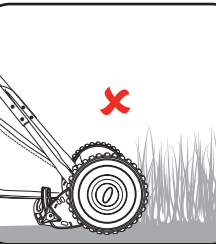
Overlapping rows

When mowing a lawn, slightly overlap the row that has already been mowed. This will make the force required to move the mower easier because less grass is being mowed at one time. Overlapping rows will also ensure a neat cut by removing grass that may have been missed on the previous row.



Don't let the grass get too tall

Push reel mowers are harder to push when the grass gets too tall, therefore it is recommended to mow on a weekly basis.



Push reel mowers don't mow tall weeds

The push reel mower will tend to roll over tall weeds without cutting them. This includes tall weeds that are more than six inches, and things like dandelions and docs. If the lawn to be mowed has a significant weed infestation, enquire at your local Bunnings store how to rectify the problem, or as an alternative, rent a petrol powered mower to gain control of the lawn. Push reel mowers are designed to cut lawns in reasonable condition.

