



Einhell®

BT-HP 130 SS

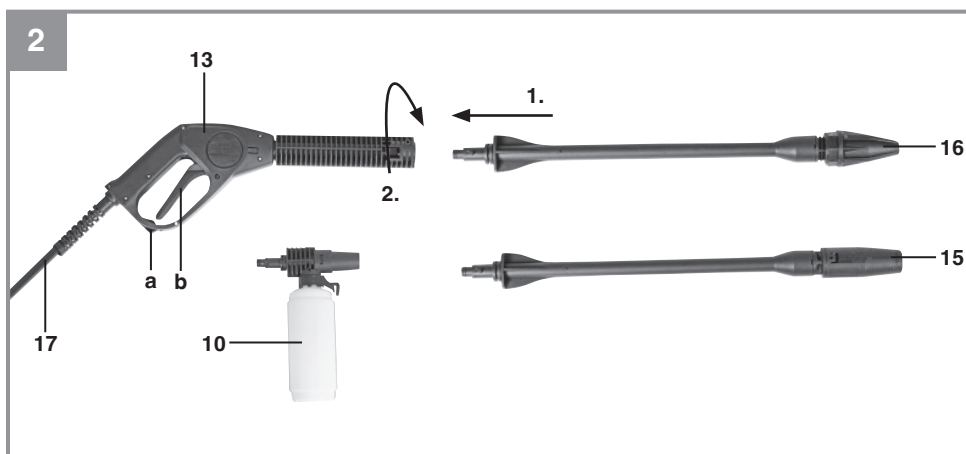
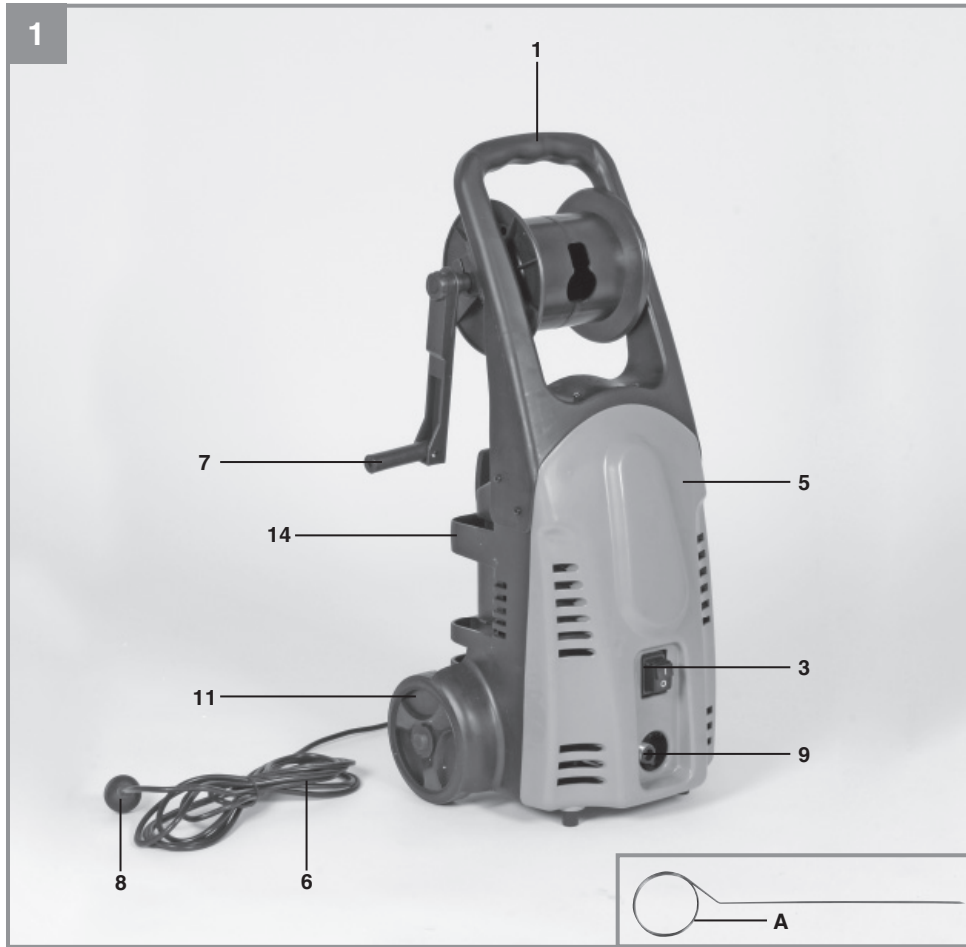
GB Original operation instructions
High Pressure Cleaner

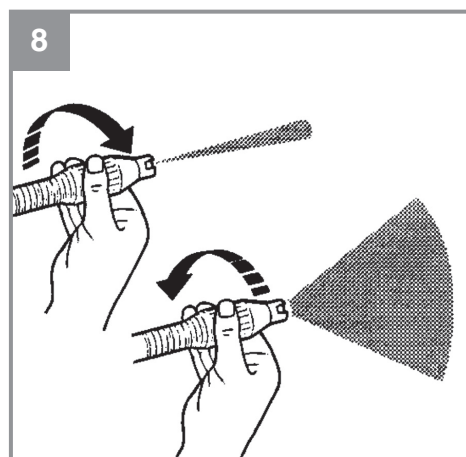
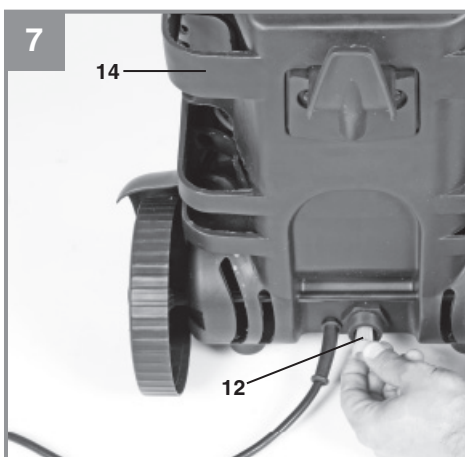
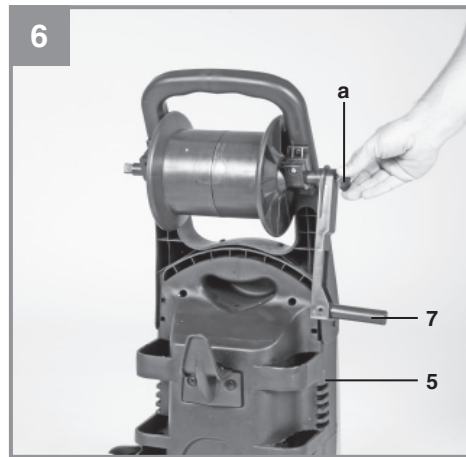
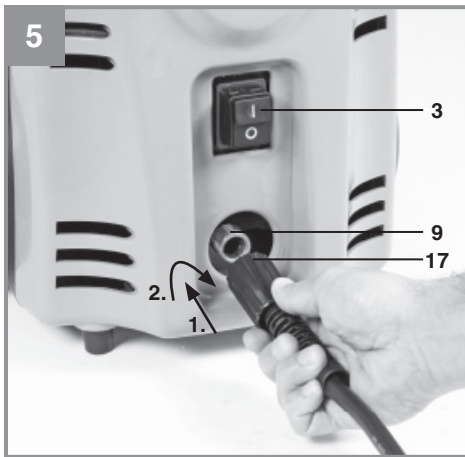
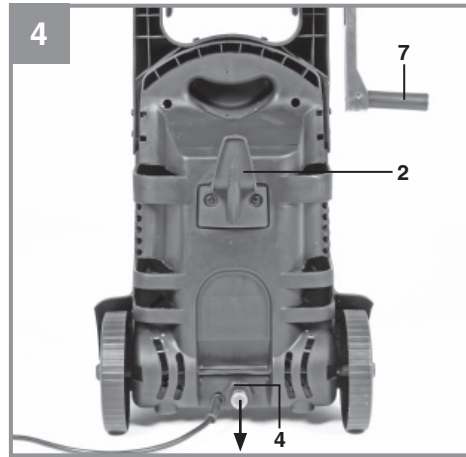


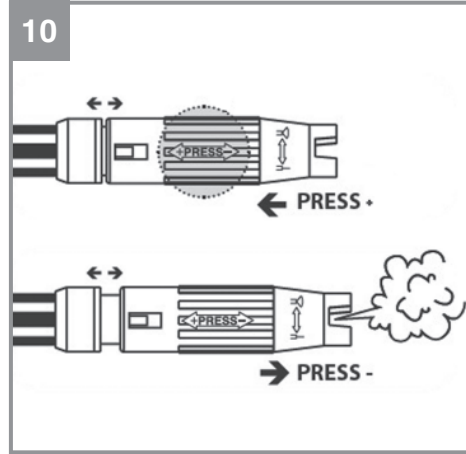
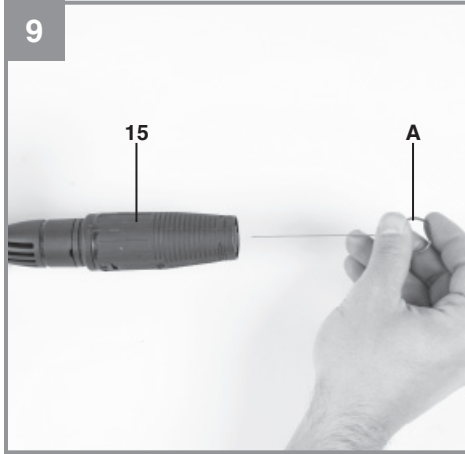
7

Art.-Nr.: 41.404.90 I.-Nr.: 11011



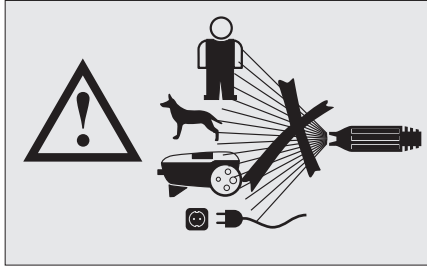








GB



- Ⓢ **Warning!** High-pressure jets can be dangerous if not used properly. Do not direct the jet at persons, animals, live electrical equipment or the unit itself.





GB



“Caution - Read the operating instructions to reduce the risk of injury”



Wear ear-muffs.

The impact of noise can cause damage to hearing.



Wear safety goggles.

Sparks generated during working or splinters, chips and dust emitted by the device can cause loss of sight.





GB

⚠ Important!

When using equipment, a few safety precautions must be observed to avoid injuries and damage. Please read the complete operating manual with due care. Keep this manual in a safe place, so that the information is available at all times. If you give the equipment to any other person, give them these operating instructions as well.

We accept no liability for damage or accidents which arise due to non-observance of these instructions and the safety information.

1. Safety information

Please refer to the booklet included in delivery for the safety instructions.

⚠ CAUTION!

Read all safety regulations and instructions.

Any errors made in following the safety regulations and instructions may result in an electric shock, fire and/or serious injury.

Keep all safety regulations and instructions in a safe place for future use.

2. Layout and Items supplied (Figs. 1/2/4)

2.1 Layout

1. Carrying handle
2. Storage for accessories
3. ON/ OFF switch
4. Water supply connection
5. High pressure cleaner
6. Mains cable
7. Hose winding handle
8. Mains plug
9. High pressure connection
10. Detergent bottle
11. ~~Wheels~~
13. Trigger gun
14. Accessory Holder
15. Lance with pressure spray nozzle
16. Lance with rotating spray nozzle
17. High pressure hose

- A. Cleaning wire

2.2 Items supplied

- Open the packaging and take out the equipment with care.
- Remove the packaging material and any packaging and/or transportation braces (if available).
- Check to see if all items are supplied.
- Inspect the equipment and accessories for transport damage.
- If possible, please keep the packaging until the end of the guarantee period.

IMPORTANT

The equipment and packaging material are not toys. Do not let children play with plastic bags, foils or small parts. There is a danger of swallowing or suffocating!

- High Pressure Cleaner
- Detergent Bottle
- High Pressure Hose
- Lance with Rotating Spray Nozzle
- Lance with Pressure Spray Nozzle
- Cleaning Wire
- Original Instruction Manual
- Safety Instructions

3. Proper use

The high-pressure cleaner is designed to clean vehicles, machines, buildings, facades, etc. in the private sector.

The equipment is to be used only for its prescribed purpose. Any other use is deemed to be a case of misuse. The user / operator and not the manufacturer will be liable for any damage or injuries of any kind caused as a result of this.

Please note that our equipment has not been designed for use in commercial, trade or industrial applications. Our warranty will be voided if the machine is used in commercial, trade or industrial businesses or for equivalent purposes.


This appliance is not intended for use by persons (including children) with reduced physical, sensory or mental capabilities, or lack of experience and knowledge, unless they have been given supervision or instruction concerning use of the appliance by a person responsible for their safety. Children should be supervised to ensure that they do not play with the appliance.

- 7 -



GB

4. Technical Data

Mains voltage:..... 240 V~ 50 Hz
 Power input:..... 1800 W
 Working pressure: 1305 psi (90 bar)
 Permissible pressure:.....max. 1885 psi (130 bar)
 Water flow rate max.:..... 5 l/min
 max. feed pressure:..... 58 psi (4 bar)
 Protection class: II / 
 Weight:..... 9.9 kg

Keep the noise emissions and vibrations to a minimum.

- Only use appliances which are in perfect working order.
- Service and clean the appliance regularly.
- Adapt your working style to suit the appliance.
- Do not overload the appliance.
- Have the appliance serviced whenever necessary.
- Switch the appliance off when it is not in use.
- Wear protective gloves.

Sound and vibration

Sound and vibration values were measured in accordance with EN 60335-1.

L_{pA} sound pressure level 77 dB(A)
 K_{pA} uncertainty..... 3 dB
 L_{WA} sound power level..... 96 dB(A)
 K_{WA} uncertainty..... 3 dB

Wear ear-muffs.

The impact of noise can cause damage to hearing.

Total vibration values (vector sum of three directions) determined in accordance with EN 60745.

Vibration emission value $a_h \leq 2.5 \text{ m/s}^2$
 K uncertainty = 1.5 m/s^2

Additional information for electric power tools

Warning!

The specified vibration value was established in accordance with a standardized testing method. It may change according to how the electric equipment is used and may exceed the specified value in exceptional circumstances.

The specified vibration value can be used to compare the equipment with other electric power tools.

The specified vibration value can be used for initial assessment of a harmful effect.

Residual risks

Even if you use this electric power tool in accordance with instructions, certain residual risks cannot be ruled out. The following hazards may arise in connection with the equipment's construction and layout:

1. Lung damage if no suitable protective dust mask is used.
2. Damage to hearing if no suitable ear protection is used.
3. Health damage caused by hand-arm vibrations if the equipment is used over a prolonged period or is not properly guided and maintained.

5. Before putting the machine into operation

5.1 Correct use of the device

- The high-pressure cleaner must be set on a level, stable surface.
- It is recommended that you maintain the correct operating position every time you use the machine by placing one hand on the pistol and the other on the lance.
- Never direct the water jet toward electrical lines or the machine itself.
- It is normal for the pump to leak a little; this is necessary to avoid damage to the pump when it is at a standstill.
- Never use the equipment in potentially explosive areas under any circumstances!
- The operating temperature must be between +5 and + 60°C.
- Do not cover or modify the lance or the spray nozzles in any way.



GB

- The high-pressure cleaner is designed to be used with cold or hot water (max. 60°C); higher temperatures can damage the pump.
- Do not use water that is dirty, gritty or contains any chemical products, as these could impair operation and shorten the life of the equipment.

Note: Impurities in the water can damage the pump and accessories. For protection, the use of the Einhell Suction Hose with built in water filter (optional accessory, order no. 41.405.70) is recommended.

5.2 Assembly

5.2.1 Assembling the equipment

Assemble the high-pressure cleaner as shown in Figure 3 - 6.

5.2.2 Water supply connection (Fig. 4)

The water supply connection (4) is equipped with a connector for standard hose coupling systems. Attach the hose coupling on the supply hose (min. Ø1/2") to the water supply connection (4).

Caution

Never use the appliance on drinking water supply without a non return valve installed between the water tap and the high-pressure cleaner! Ask your local plumber about this.

5.2.3 Connecting the high-pressure hose (Fig. 1-3/5)

Remove the transport protection from the high pressure connection (9) as shown in Fig. 3. Connect the high-pressure hose (18) to the high pressure connection (9) on the high-pressure cleaner.

5.2.4 Fitting the gun attachments (Fig. 2)

Fit the lance with the rotating spray nozzle or the pressure spray nozzle to the unit. To do so, press the attachment into the gun (you will encounter a slight spring resistance) and secure the attachment by turning. Check that the attachment is secure before you begin with the cleaning.

Lance with pressure spray nozzle (15)

The shape of the water jet can be changed from concentrated to flat jet by turning the nozzle (Fig. 8).

Lance with rotating spray nozzle (16)

To remove particularly stubborn dirt, use the lance with rotating spray nozzle (16).

5.2.5 Electrical connections

- Before you connect the appliance to the mains

supply make sure that the data on the rating plate are identical to the mains data.

- If you use any extension cables, make sure that they are suitable for outdoor use and have large enough wires:
 - 1-10m: 1.5mm²
 - 10-30m: 2.5mm²
- Plug the mains plug on the power cable into the mains socket outlet.

6. Operation

The equipment consists of an assembly with a pump, which is encased in a shock absorbing housing. The equipment comes with a lance and a non-slip gun (for an optimal working position), whose shape and configuration comply with the applicable regulations.

6.1 Using for the first time:

Once you have completely assembled the high-pressure cleaner and connected all connections, proceed as follows:

Open the water inlet. Press safety pin "a" (Fig. 2) on the trigger gun (Fig. 2/ Item 13) and pull back the trigger lever "b" (Fig. 2) in order to bleed the trapped air out of the device.

Turn on the device by switching the ON/OFF switch (Fig. 2/ Item 3) to "I".

To temporarily turn off, release the trigger lever (b), at which point the device goes to standby. As soon as you press the trigger lever (b) again, the high-pressure cleaner restarts.

To completely turn off the high-pressure cleaner, switch the ON/OFF switch (Fig. 2/ Item 3) to "O".

6.2 Using cleaning detergent

- Fill the detergent bottle (Fig. 2/ Item 10) with a suitable cleaning detergent.
- The cleaning detergent will be added automatically in low-pressure mode.

6.3 Holder for the gun/ accessories (Fig. 7)

The gun and accessories can be kept in the provided holder (14) in order to save space when not in use.

6.4 Hose winding handle (Fig. 6)

The hose winding handle (7) enables the high-pressure hose to be stored in a minimum space. For optimum usage (for right handed and

- 9 -



GB

left handed people), attach the hose winding handle (7) either on the left or the right side of the unit. In order to do that, loosen the screw "a" and take off the hose winding handle (7). To attach the hose winding handle (7) back to the unit, proceed in reverse order.

6.5 Drawing water from a bucket

Note: Impurities in the water can damage the pump and accessories. For protection, the use of the Einhell Suction Hose is with built in water filter (optional accessory, order no. 41.405.70) is recommended when drawing water from a bucket.

Using the suction hose (Not supplied with high pressure cleaner)

First fill the suction hose with water in order to build up the working pressure more quickly and to protect the high pressure cleaner.

Connect the suction hose to the water supply connection (Fig.4/ Item 4) as described in section 5.2.2. Put the end of the suction hose into a bucket.

Note: The max. submersion depth of the suction hose is 0.5 m.

Caution!

Using the suction hose might result in the working pressure dropping.

Caution!

Dry run lasting longer than two minutes lead to damages of the high-pressure cleaner. If the high-pressure cleaner does not built up pressure within two minutes switch off the appliance.

7. Cleaning, maintenance and ordering of spare parts

⚠ Important!

Always pull out the mains power plug before starting any cleaning work.

7.1 Cleaning

- Keep all safety devices, air vents and the motor housing free of dirt and dust as far as possible. Wipe the equipment with a clean cloth or blow it with compressed air at low pressure.
- We recommend that you clean the device immediately each time you have finished using it.
- Clean the equipment regularly with a moist cloth and some soft soap. Do not use cleaning agents or solvents; these could attack the plastic parts of the equipment. Ensure that no water can seep into the device.

7.2 Maintenance

7.2.1 Checking the water intake filter (Fig. 7)

Periodically check the intake filter in order to prevent clogging, which could jeopardize operation of the pump.

To do this, unscrew the connection coupling for the water inlet hose from the device and clean the exposed inlet sieve by placing it under running water.

7.2.2 Long periods of nonuse (electric pump)

If the machine is going to be stored for longer periods of time (more than 3 months) in a room where frost could develop, it is recommended that the machine be filled with an antifreeze solution (similar to the antifreeze solutions used for vehicles).

When the device is not used for an extended period of time, lime deposits begin to form in the electric pump, which in turn can lead to starting difficulties.

7.2.3 Cleaning the nozzle (Fig. 9)

Use the supplied cleaning wire (A) to clean clogged nozzles.





GB

7.3 Ordering replacement parts:

Please quote the following data when ordering replacement parts:

- Type of machine
- Article number of the machine
- Identification number of the machine
- Replacement part number of the part required

For our latest prices and information please go to www.einhell.com.au

8. Disposal and recycling

The unit is supplied in packaging to prevent its being damaged in transit. This packaging is raw material and can therefore be reused or can be returned to the raw material system.

The unit and its accessories are made of various types of material, such as metal and plastic.

Defective components must be disposed of as special waste. Ask your dealer or your local council.

9. Storage

Store the equipment and accessories out of children's reach in a dark and dry place at above freezing temperature. The ideal storage temperature is between 5 and 30 °C. Store the electric tool in its original packaging.



GB

10. Possible causes of failure

Troubleshooting	Cause	Remedy
Device does not work	<ul style="list-style-type: none">- No electrical voltage at the device.- Cross section of the extension cable not large enough and/or the extension cable is too long.- The mains voltage is lower than that specified.- The pump is frozen.	<ul style="list-style-type: none">- Check the fuse, power cable and power plug and have them replaced by qualified personnel if necessary.- Use extension cables with larger cross sections and/or use shorter extension cables.- Contact the power supply company if necessary.- Check and thaw if necessary.
The motor starts but there is no build up of pressure	<ul style="list-style-type: none">- The water intake filter is clogged.- Air intake in the water inlet.- Discharge nozzle is too large.	<ul style="list-style-type: none">- Clean the water intake filter. (see 7.2.1).- Check the supply hose and hose connection and replace if necessary.- Check and replace if necessary.
Irregular operating pressure	<ul style="list-style-type: none">- Air intake in the water inlet.	<ul style="list-style-type: none">- Check the supply hose and hose connection and replace if necessary.



The guarantee provided in this Guarantee Certificate is given by Einhell Australia Pty Limited
ACN 134 632 858 of 6/166 Wellington Street, Collingwood, Victoria (Telephone number 1300 922 271)
(Einhell Express Guarantee).

GB GUARANTEE CERTIFICATE

Dear Customer,

All of our products undergo strict quality checks. In the unlikely event that your device develops a fault, please contact our service department at the address shown on this guarantee certificate. Of course, if you would prefer to call us then we are also happy to offer our assistance under the service number printed below. Please note the following terms under which claims under the Einhell Express Guarantee can be made:

1. The benefits conferred by the Einhell Express Guarantee are in addition to all rights and remedies which you may be entitled to under the Australian Consumer Law, and any other statutory rights you may have under other applicable laws. This Einhell Express Guarantee does not exclude, restrict or modify any such rights or remedies.

We do not charge you for the Einhell Express Guarantee.

2. Our goods come with guarantees that cannot be excluded under the Australian Consumer Law. You are entitled to a replacement or refund for a major failure and for compensation for any other reasonably foreseeable loss or damage. You are also entitled to have the goods repaired or replaced if the goods fail to be of acceptable quality and the failure does not amount to a major failure.

3. The Einhell Express Guarantee only covers problems caused by material or manufacturing defects, and our liability under the Einhell Express Guarantee is limited, at our discretion, to the rectification of these defects or replacement of the product. Please note that the product has not been designed for use in commercial, trade or industrial applications. Consequently, the Einhell Express Guarantee will not apply if the product is used in commercial, trade or industrial applications or for other equivalent activities.

4. The following are also excluded from the Einhell Express Guarantee: compensation for transport damage, damage caused by failure to comply with the installation/assembly instructions or damage caused by unprofessional installation, failure to comply with the operating instructions (e.g. connection to the wrong mains voltage or current type), misuse or inappropriate use (such as overloading of the product or use of non-approved tools or accessories), failure to comply with the maintenance and safety regulations, ingress of foreign bodies into the product (e.g. sand, stones or dust), effects of force or external influences (e.g. damage caused by the product being dropped) and normal wear resulting from proper operation of the product. The Einhell Express Guarantee will also not apply if any attempt is made to tamper with the product.

5. The Einhell Express Guarantee is valid for a period of 2 years starting from the purchase date of the product. Claims made under the Einhell Express Guarantee should be submitted before the end of this guarantee period and within two weeks of the defect being noticed. No claims under the Einhell Express Guarantee will be accepted if submitted after the end of this guarantee period. The original guarantee period remains applicable to the device even if repairs are carried out or parts are replaced. In such cases, the work performed or parts fitted will not result in an extension of the guarantee period for the Einhell Express Guarantee, and the Einhell Express Guarantee will not apply for the work performed or parts fitted. This also applies when an on-site service is used.

6. To make a claim under the Einhell Express Guarantee, please send the relevant product postage-free to the address shown below and enclose either the original or a copy of your sales receipt or another dated proof of purchase. It would help us if you could describe the nature of the problem in as much detail as possible. If the defect is covered by the Einhell Express Guarantee, your product will be repaired immediately and returned to you, or we will send you a new device (at our election).

Any costs incurred by you in making a claim under this Einhell Express Guarantee, unless specified otherwise in this guarantee certificate, must be borne by you.

Of course, we are also happy to offer a chargeable repair service for any defects which are not covered by the scope of the Einhell Express Guarantee or for products which are no longer covered by the Einhell Express Guarantee. To take advantage of this service, please send the product to our service address.

EINHELL AUSTRALIA PTY LTD
6/166 Wellington Street
Collingwood VIC 3066
Australia
Phone: 1300 922 271



EH /201 (0)





EH /201 (0)





EH /201 (0)

