



User Manual

Spend a little Live a lot

GARDENLINE®

ELECTRIC HEDGE TRIMMER GLH 691



Original instructions

Product
Info



www.aldi.co.uk

+ VIDEO

QR codes take you where you want to go quickly and easily

Whether you require **product information, spare parts** or **accessories**, details on **warranties** or **aftersales services**, or if you want to watch a **product demonstration video**, our QR codes will take you there in no time at all.

What is a QR code?

A QR code (QR = Quick Response) is a type of matrix that can be read with a smartphone camera and that contains a link to a website or contact details, for example.

Advantage: You do not need to manually enter a website address or contact details.

How it works

To scan the QR code, all you need is a smartphone with QR code reader software and an internet connection. This type of software can be downloaded for free from your app store.

Try it out now

Just scan the QR code with your smartphone and find out more about the ALDI product you have purchased.

Your ALDI Service Portal

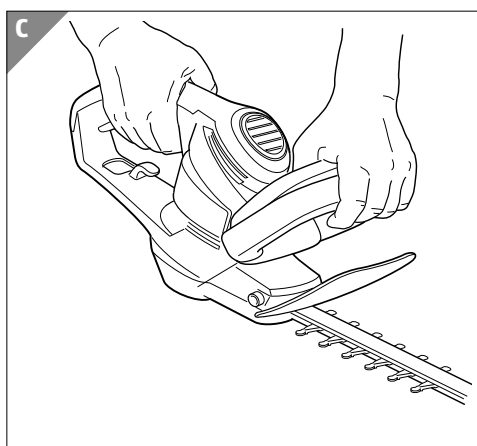
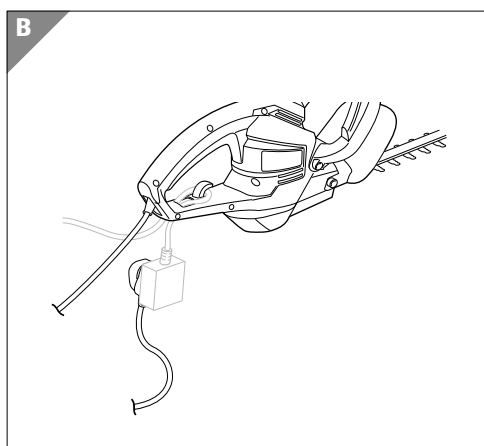
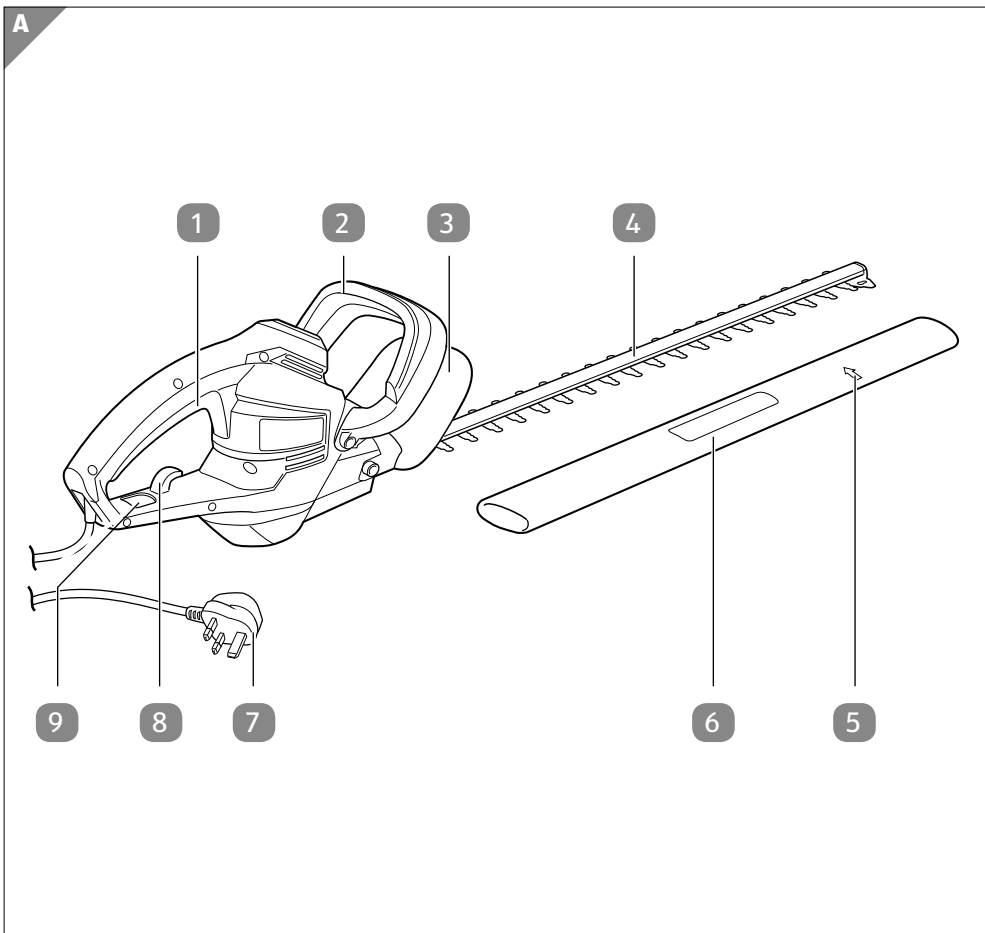
All details mentioned above can also be found in the ALDI Service Portal at www.aldi.co.uk.

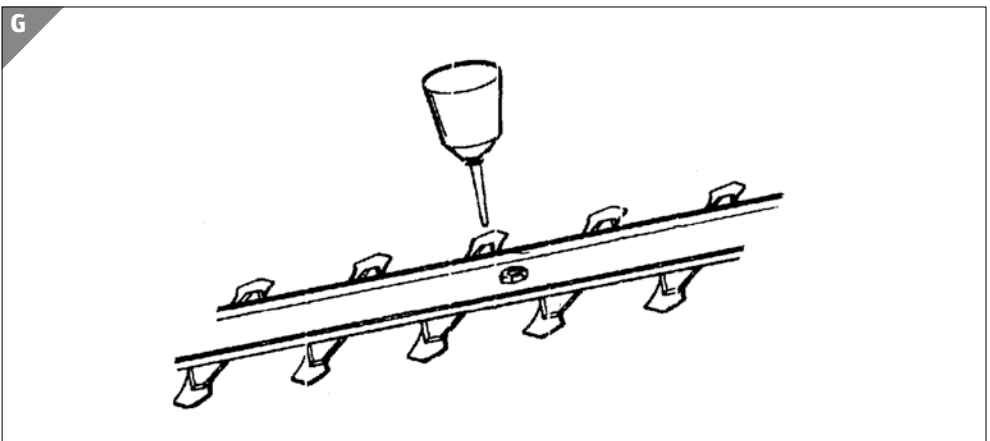
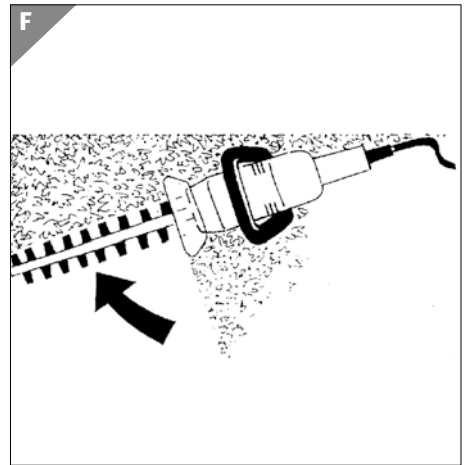
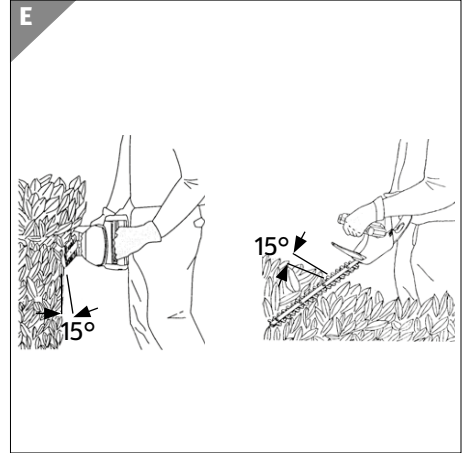
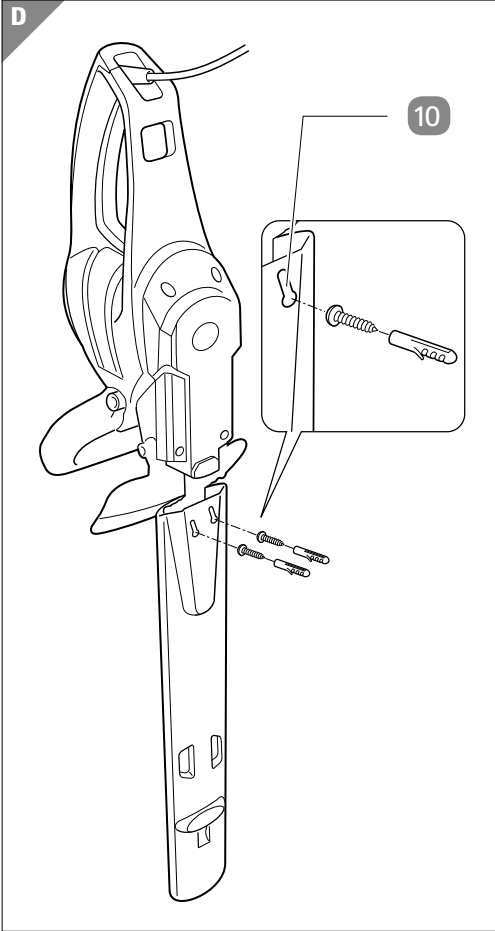


Depending on your tariff plan you may be charged for the connection.

Contents

Overview	4
Use.....	5
Package contents/device parts.....	6
General information.....	7
Reading and storing the user manual	7
Explanation of symbols	7
Safety	8
Proper use.....	8
Safety instructions.....	9
First use.....	14
Checking the hedge trimmer and package contents.....	14
Preparations.....	14
Operation.....	15
Turning the hedge trimmer on and off	15
Cutting	16
Cleaning.....	16
Maintenance	18
Storage	18
Troubleshooting.....	19
Technical data	20
Residual risks	21
Disposal.....	21
Disposing of the packaging	21
Disposing of the hedge trimmer	21
Declaration of conformity.....	22





Package contents/device parts

- 1 Handle with switch
- 2 Guide handle with switch
- 3 Transparent hand guard
- 4 Blade with double cutter
- 5 Locking mechanism for protective cap
- 6 Protective cap
- 7 Mains cord with mains plug
- 8 Cable strain relief
- 9 Cable feed-through
- 10 Bracket

General information

Reading and storing the user manual



This user manual accompanies this electric hedge trimmer GLH 691. It contains important information on start-up and handling.

For improved readability, the electric hedge trimmer GLH 691 will hereinafter be referred to only as the “hedge trimmer”.

Before using the hedge trimmer, read the user manual carefully. This particularly applies to the safety instructions. Failure to heed this user manual may result in severe injury or damage to the hedge trimmer.

The user manual is based on the standards and rules in force in the European Union. When abroad, you must also observe country-specific guidelines and laws.

Store the user manual for future use. If you pass the hedge trimmer on to third parties, please be absolutely sure to include this user manual.

Explanation of symbols

The following symbols and signal words are used in this user manual, on the hedge trimmer or on the packaging.



WARNING!

This signal symbol/word designates a hazard with a moderate degree of risk which may lead to death or severe injury if not avoided.

NOTICE!

This signal word warns against potential damage to property.



This symbol provides you with useful supplementary information on assembly or operation.



Declaration of conformity (see chapter “Declaration of conformity”): Products marked with this symbol meet all applicable Community regulations for the European Economic Area.



The certified safety seal (GS mark) certifies that a tested product meets the requirements of the German Product Safety Act. The GS mark indicates that the safety and health of persons will not be jeopardised if used in a proper or predictable manner.



Read the user manual before use.



Protect the device from rain and moisture.



Wear eye protection.



Wear ear protection.



Always remove the mains plug from the socket before performing maintenance or cleaning or when faults occur.



Wear protective gloves.



The guaranteed sound power level L_{WA} is 97 dB.



The hedge trimmer corresponds to protection class II.

Safety

Proper use

The hedge trimmer has only been designed for trimming hedges, bushes and shrubs. It is only intended for private use and not suitable for commercial purposes.

Only use the hedge trimmer as described in this user manual. Any other use is deemed improper and may result in damage to property or even personal injury. The hedge trimmer is not a children's toy.

The manufacturer or vendor accepts no liability for damage caused by improper or incorrect use.

Safety instructions

WARNING!

Read all safety instructions and instructions!

Failure to follow the safety instructions and instructions may result in an electric shock, fire and/or severe injury.

- **Keep all safety instructions and instructions for future reference.**

Work area safety

- Keep your work area clean and well lit.** Cluttered or dark areas invite accidents.
- Do not operate power tools in explosive atmospheres, such as in the presence of flammable liquids, gases or dust.** Power tools create sparks which may ignite the dust or fumes.
- Keep children and bystanders away while operating a power tool.** Distractions can cause you to lose control.

Electrical safety

- Power tool plugs must match the outlet. Never modify the plug in any way. Do not use any adapter plugs with earthed (grounded) power tools.** Unmodified plugs and matching outlets will reduce risk of electric shock.
- Avoid body contact with earthed or grounded surfaces, such as pipes, radiators, ranges and refrigerators.** There is an increased risk of electric shock if your body is earthed or grounded.
- Do not expose power tools to rain or wet conditions.** Water entering a power tool will increase the risk of electric shock.
- Do not abuse the cord. Never use the cord for carrying, pulling or unplugging the power tool. Keep cord away from heat, oil, sharp edges or moving parts.** Damaged or entangled cords increase the risk of electric shock.
- When operating a power tool outdoors, use an extension cord suitable for outdoor use.** The use of an outdoor extension cord lowers the risk of electric shock.
- If operating a power tool in a damp location is unavoidable, use a residual current device (RCD) protected supply.** Use of an RCD reduces the

risk of electric shock.

Personal safety

- a) **Stay alert, watch what you are doing and use common sense when operating a power tool. Do not use a power tool while you are tired or under the influence of drugs, alcohol or medication.** A moment of inattention while operating power tools may result in serious personal injury.
- b) **Use personal protective equipment. Always wear eye protection.** Protective equipment such as dust mask, non-skid safety shoes, hard hat, or hearing protection used for appropriate conditions will reduce personal injuries.
- c) **Prevent unintentional starting. Ensure the switch is in the off-position before connecting to power source and/or battery pack, picking up or carrying the tool.** Carrying power tools with your finger on the switch or energising power tools that have the switch on invites accidents.
- d) **Remove any adjusting key or wrench before turning the power tool on.** A wrench or a key left attached to a rotating part of the power tool may result in personal injury.
- e) **Do not overreach. Keep proper footing and balance at all times.** This enables better control of the power tool in unexpected situations.
- f) **Dress properly. Do not wear loose clothing or jewellery. Keep your hair, clothing and gloves away from moving parts.** Loose clothes, jewellery or long hair can be caught in moving parts.
- g) **If devices are provided for the connection of dust extraction and collection facilities, ensure these are connected and properly used.** Use of dust collection can reduce dust-related hazards.

Power tool use and care

- a) **Do not force the power tool. Use the correct power tool for your application.** The correct power tool will do the job better and safer at the rate for which it was designed.
- b) **Do not use the power tool if the switch does not turn it on and off.** Any power tool that cannot be controlled with the switch is dangerous and must be repaired.
- c) **Disconnect the plug from the power source and/or the battery pack from the power tool before making any adjustments, changing accessories, or storing power tools.** Such preventive safety measures reduce the risk of starting the power tool accidentally.
- d) **Store idle power tools out of the reach of children. Do not allow persons**

unfamiliar with the power tool or these instructions to operate the power tool. Power tools are dangerous in the hands of untrained users.

- e) **Maintain power tools. Check for misalignment or binding of moving parts, breakage of parts and any other condition that may affect the power tool's operation. If damaged, have the power tool repaired before use.** Many accidents are caused by poorly maintained power tools.
- f) **Keep cutting tools sharp and clean.** Properly maintained cutting tools with sharp cutting edges are less likely to bind and are easier to control.
- g) **Use the power tool, accessories and fitted tools etc. in accordance with these instructions, taking into account the working conditions and the work to be performed.** Use of the power tool for operations different from those intended could result in a hazardous situation.

Service

- a) **Have your power tool serviced by a qualified repair person using only identical replacement parts.** This will ensure that the safety of the power tool is maintained.

Safety instructions for hedge trimmers

- a) **Keep all body parts away from the cutter. When the cutter is moving, do not try to remove clippings or hold the material to be cut. Only remove trapped clippings when the device is switched off.** A single moment of inattentiveness when using the hedge trimmer can result in serious injury.
- b) **When the cutter is at a standstill, carry the hedge trimmer by the handle. Always fit the protective cover when transporting or storing the hedge trimmer.** Handle the hedge trimmer with care to minimise the risk of injury caused by the cutter.
- c) **Only hold the power tool by the insulated handle surfaces as the cutter may come into contact with hidden power lines or the tool's own mains cord.** If the cutter comes into contact with a voltage-carrying line, the device's metallic parts may be energised, resulting in an electric shock.
- d) **Keep the cable away from the cutting area.** When working, the cable may become hidden in the shrubbery or be accidentally severed.
- e) **Check the hedge for hidden objects, e.g. wire fences.**
- f) **We recommend using a fault-current circuit breaker with a release current of 30 mA or less.**
- g) **Use both hands to correctly hold the hedge trimmer.**

 **WARNING!**

Risks associated with using the hedge trimmer!

If used improperly or in a negligent manner, the hedge trimmer may cause serious injury!

- Carefully read through the instructions on proper handling, preparatory steps, maintenance, starting and switching off the hedge trimmer. Familiarise yourself the proper use of the hedge trimmer.
- Never allow children to use the hedge trimmer.
- Beware of overhead power lines.
- Do not use the hedge trimmer when people, especially children, are nearby.
- Always ensure that the hedge trimmer is correctly positioned in one of the specified work positions before starting the motor.
- Always ensure that you are positioned firmly, especially if you are using the hedge trimmer on steps or a ladder.
- Always ensure that all handles and protective guards are fitted when using the hedge trimmer. Never attempt to use an incomplete hedge trimmer or one with unauthorised modifications.
- Always be aware of your surroundings and stay alert for possible hazards that you may not hear due to the noise of the hedge trimmer.
- Wear ear protection, eye protection and headgear.
- Completely switch off the motor (pull the mains plug) before:
 - cleaning the hedge trimmer or clearing a blockage,
 - checking, maintaining or working on the hedge trimmer or
 - when leaving the hedge trimmer unattended.
- Immediately discontinue using the hedge trimmer (pull the mains plug) if the cutting unit has been jammed, for example by thick branches. Remove the cause of the blockage only afterwards.

-
- Check and maintain the hedge trimmer regularly. Always change both cutters at the same time if they are damaged. Have the hedge trimmer inspected by a professional if it is damaged by a fall or collision.
 - Do not use the machine if the cutting unit is damaged or excessively worn.
 - Always ensure that all handles and protective guards are fitted when you use the hedge trimmer.
 - Only connect the hedge trimmer if the mains voltage of the socket corresponds to the specification on the rating plate.
 - Only connect the hedge trimmer to an easily accessible socket so that you can quickly disconnect it and the extension cord from the mains in case of a failure.
 - Only use an extension cord which is approved for outdoor use. The wire cross-section of the extension cord must be at least 1.5 mm².
 - Always fully unwind the cable reel before use. When doing so, check the cable for damage.
 - The extension cord must reach the nearest socket – do not connect several extension cords to one another because there is a power loss at every plug contact and the hedge trimmer is unable to operate at full power.
 - If the cable is damaged during use, disconnect the mains plug from the mains socket immediately. **DO NOT TOUCH THE CORD UNTIL IT IS DISCONNECTED FROM THE MAINS.**
 - Never submerge the hedge trimmer in water or other liquids. Do not wash the hedge trimmer; do not use a high-pressure or steam cleaner to clean the hedge trimmer.
 - Never reach to retrieve an electrical device if it has fallen in water. In such a case, immediately disconnect the mains plug.
 - Never touch the mains plug and socket with wet hands.
 - Never pull the mains plug out of the socket by the mains cord; instead, always do so by grasping the mains plug.

⚠ WARNING!

Risk of electric shock and injury!

A mains cord that is changed by someone who is not a professional can cause electric shock and serious or life-threatening injury.

- Do not attempt to replace the mains cord yourself.

First use

Checking the hedge trimmer and package contents

NOTICE!

Risk of damage!

The hedge trimmer can be damaged if you incautiously open the packaging with a sharp knife or another pointed object.

- Proceed carefully when opening.
 1. Take the hedge trimmer out of the packaging.
 2. Check to make sure that the delivery is complete (see **Fig. A**).
 3. Check whether the hedge trimmer or the individual parts are damaged. If this is the case, do not use the hedge trimmer. Contact the manufacturer at the service address specified on the warranty card.



The hedge trimmer is delivered ready for use – assembly is not required.

Preparations

1. Check the hedge: It must not be wet. Remove any foreign objects, such as wires or planting sticks.
2. Check the hedge trimmer to ensure all screw fittings are securely seated and the blade with double cutter **4** is sufficiently sharp.
3. Fully extend the extension cord in loops so that you can pull it towards you from behind when working.
4. The cable strain relief **8** prevents the extension cord from being accidentally disconnected when cutting: Form a loop with the last 30 cm of the extension cord.

5. Guide the loop through the cable feed-through **9** and over the hook for the cable strain relief (see **Fig. B**).
6. Slowly pull the loop against the cable strain relief to tighten it. If the loop is not taut, the cord may become loose and slip out when working.
7. Insert the mains plug **7** in the extension cord connector.
8. Insert the mains plug of the extension cord in a properly installed socket.

Operation

Turning the hedge trimmer on and off

WARNING!

Risk of injury!

The double cutter will continue to run for a short period of time after switching the hedge trimmer off!

- Hold the hedge trimmer securely until the double cutter comes to a standstill.

The hedge trimmer is fitted with a two-hand safety circuit. It only works when one hand presses the switch on the guide handle **2** and the other hand presses the switch on the handle **1**.

1. Hold the hedge trimmer by the guide handle. If you are right-handed, use your left hand. If you are left-handed, use your right hand.
2. On the protective cap **6**, gently press on both sides of the locking mechanism for the protective cap **5**, and pull the protective cap off forwards.
3. Put the protective cap nearby.
4. Ensure that the blade with double cutter **4** is not touching anything so that the double cutter can be started safely.
5. Hold the guide handle securely and press the switch in the process.
6. Grasp the handle with your other hand and also press the switch.
Attention: The hedge trimmer starts (see **Fig. C**).
7. The hedge trimmer stops as soon as you release one of the switches.
8. Every time you take a break, place the protective cap on the blade until it engages to prevent injuries.

Cutting

WARNING!

Risk of electric shock and injury!

If you damage or sever the extension cord of the hedge trimmer, it will short-circuit, and there may even be a bang and a few sparks. If the extension cord is damaged or cut through, it can cause electric shock and serious or life-threatening injury.

- Do not be frightened! Keep hold of the hedge trimmer but release the switch on the handle.
- Wait until the double cutter comes to a standstill.
- Do not touch the extension cord or blade! Put the hedge trimmer down and immediately disconnect the mains plug from the mains socket.
- Never repair a damaged extension cord. Either replace it or have it replaced by a specialist.
- In addition to using the hedge trimmer for trimming hedges, you can also cut shrubs and bushes.
- To achieve the best possible cutting performance, hold the hedge trimmer so that the blade with double cutter is at an angle of approx. 15° to the hedge (see **Fig. E**).
- Thanks to the counter-rotating cutters that cut on both sides, you can cut in both directions.
- Cut the sides of a hedge with arch-shaped movements from the bottom to the top (see **Fig. F**).

Cleaning

WARNING!

Risk of electric shock and injury!

Improper handling of the hedge trimmer can cause electric shock and serious or life-threatening injury.

- Unplug the hedge trimmer from the mains before cleaning or maintenance to prevent an electric shock or the motor being started accidentally.

- Wear protective gloves when cleaning or checking the blade with double cutter to prevent injuries.

NOTICE!**Risk of short circuit!**

Water that has penetrated the housing may cause a short circuit.


- Never immerse the hedge trimmer in water.
- Make sure that no water penetrates the housing.

NOTICE!**Risk due to improper operation!**

Improper handling of the hedge trimmer may result in damage.

- Do not use any aggressive cleaners, brushes with metal or nylon bristles or sharp or metallic cleaning utensils such as knives, hard scrapers and the like. They could damage the surfaces.
- Never spray the hedge trimmer with a water jet or a high-pressure cleaner. There may be significant damage if water enters the motor.

Thoroughly clean the hedge trimmer immediately after each use and let all components dry. Moist plant cuttings may otherwise harden or start to rot; they are then much harder to remove.

1. Keep the protective devices, air vents and the motor housing as free of dust and dirt as possible.
2. Remove all plant cuttings with a hand brush or brush.
3. Clean all smooth surfaces with a damp cloth.
4. Lubricate the blade with double cutter  with a viscous oil, e.g. a biodegradable chainsaw lubricant. Let the hedge trimmer run briefly to distribute the oil (see **Fig. G**).

Maintenance

- There are no parts within the device that need to be maintained.
- Regularly check that all screw connections are tight to ensure the hedge trimmer will operate safely.
- Damaged and worn double cutters must not be used and must be replaced by manufacturer original replacement parts.
- Have any safety-relevant maintenance work – such as replacing faulty components or sharpening or replacing the double cutter – carried out by a specialist or our service department to maintain the hedge trimmer’s operational safety.

Storage

- Before storage, clean the hedge trimmer thoroughly, as described in the chapter “Cleaning”.
- Place the protective cap **6** on the blade **4**.
- Always store the hedge trimmer in a dry area.
- Keep the hedge trimmer away from direct sunlight.
- Store the hedge trimmer so that it is not accessible to children and at a storage temperature between +5 °C and +30 °C.

To store the hedge trimmer, you can fasten the protective cap to a wall using the bracket **10**. To do this, you will need two round-head screws with a head diameter of approx. 8 mm and possibly two dowels (see **Fig. D**).

- Do not tighten the screws completely so that you are still able to hang and remove the protective cap together with the hedge trimmer.

Troubleshooting

⚠ WARNING!

Risk of electric shock and injury!


Improper handling of the hedge trimmer can cause electric shock and serious or life-threatening injury.

- Unplug the hedge trimmer from the mains before cleaning or maintenance to prevent an electric shock or the motor being started accidentally.

Problem	Potential causes, solutions, tips
The hedge trimmer does not run.	Check whether the hedge trimmer is connected to mains electricity.
	House fuse or residual current circuit breaker has been triggered – check the extension cord for damage.
	The motor overload protection has triggered because the motor has been overloaded or has overheated. Let the hedge trimmer cool off for 15–20 minutes.
Not enough power, not running smooth.	The double cutter has been jammed by plant remains or foreign objects (e.g. a piece of wire). Disconnect the hedge trimmer from the mains first. Check the blade with double cutter 4 and remove any foreign objects.
	Double cutter blunt or faulty – have the hedge trimmer checked by a specialist workshop.
Motor produces a large amount of sparks.	Carbon brushes faulty – have the hedge trimmer checked by a specialist workshop.

If you are unable to rectify the fault, contact our service department (details provided on the warranty card) or find a specialist workshop.

Technical data

Model:	GLH 691
Supply voltage:	230 V ~ 50 Hz
Output:	600 W
Protection class:	II / 
Cut length:	630 mm
Blade length:	695 mm
Tooth distance:	max. 24 mm
Cutting thickness:	15 mm
Cutting:	3000 rpm
Cable length:	10 m
Sound pressure level L_{pA} :	84.5 dB(A)
Uncertainty K_{pA} :	3 dB
Sound power level L_{WA} :	96.53 dB(A)
Uncertainty K_{WA} :	3 dB
Guaranteed sound power level L_{WA} :	97 dB(A)
Vibration emission value (handle) a_h :	1.812 m/s ²
Vibration emission value (guide handle) a_h :	3.105 m/s ²
Uncertainty K:	1.5 m/s ²
Weight:	3.5 kg
Dimensions (L × W × H):	107 × 17.5 × 20.5 cm
Article number:	94414

The noise and vibration values were determined in accordance with EN 60745-1 and EN 60745-2-15. The overall vibration values (vectorial sum in three directions) were determined in accordance with EN 60745.

The specified vibration emission value has been measured in accordance with a standardised test procedure and may change depending on the type and way in which the power tool is used. It may also be above the specified value in exceptional cases. The specified vibration emission value can be used to compare one power tool with another one. The specified vibration emission value may also be used to initially assess the impairment.

Residual risks

Even if you use this power tool in compliance with applicable regulations, residual risks cannot be ruled out. The following risks associated with the construction and design of this power tool may occur:

1. Eye injury if suitable protective goggles are not worn.
2. Hearing loss if suitable ear protection is not worn.
3. Injury to health attributed to hand-arm vibration emissions if the device is used over a prolonged period of time or is not guided and maintained properly.

Disposal

Disposing of the packaging



Sort the packaging before you dispose of it. Dispose of cardboard and carton as waste paper and foils via the recyclable material collection service.

Disposing of the hedge trimmer

(Applicable in the European Union and other European states with systems for the separate collection of reusable waste materials)



Old devices must not be disposed of with household waste!

If at some point it is no longer possible to use the hedge trimmer, each consumer is required by law **to dispose of old devices separately from their household waste**, e.g. at a collection point in their community/borough. This ensures that old devices are recycled in a professional manner and also rules out negative consequences for the environment. For this reason, electrical devices are marked with the above symbol.

Einhell Germany AG · Wiesenweg 22 · D-94405 Landau/Isar



Konformitätserklärung

D erklärt folgende Konformität gemäß EU-Richtlinie und Normen für Artikel
GB explains the following conformity according to EU directives and norms for the following product
F déclare la conformité suivante selon la directive CE et les normes concernant l'article
I dichiara la seguente conformità secondo la direttiva UE e le norme per l'articolo
NL verklaart de volgende overeenstemming conform EU richtlijn en normen voor het product
E declara la siguiente conformidad a tenor de la directiva y normas de la UE para el artículo
P declara a seguinte conformidade, de acordo com as diretiva CE e normas para o artigo
DK attesterer følgende overensstemmelse i medfør af EU-direktiv samt standarder for artikel
S förklarar följande överensstämmelse enl. EU-direktiv och standarder för artikeln
FIN vakuuttaa, että tuote täyttää EU-direktiivin ja standardien vaatimukset
EE tõendab toote vastavust EL direktiivile ja standarditele
CZ vydává následující prohlášení o shodě podle směrnice EU a norem pro výrobek
SLO potrjuje sledečo skladnost s smernico EU in standardi za izdelek
SK vydáva nasledujúce prehlásenie o zhode podľa smernice EU a noriem pre výrobok
H a cikkekhez az EU-irányvonal és Normák szerint a következő konformitást jelenti ki

PL deklaruje zgodność wymienionego poniżej artykułu z następującymi normami na podstawie dyrektywy WE.
BG декларира съответното съответствие съгласно Директива на ЕС и норми за артикул
LV paskaidro šādu atbilstību ES direktīvai un standartiem
LT apibūdina šį atitikimą EU reikalavimams ir prekes normoms
RO declară următoarea conformitate conform directivei UE și normelor pentru articolul
GR δηλώνει την ακόλουθη συμμόρφωση σύμφωνα με την Οδηγία ΕΚ και τα πρότυπα για το προϊόν
HR potvrđuje sljedeću usklađenost prema smjernicama EU i normama za artikl
BIH potvrđuje sljedeću usklađenost prema smjernicama EU i normama za artikl
RS potvrđuje sledeću usklađenost prema smernicama EZ i normama za artikal
RUS следующим удостоверяется, что следующие продукты соответствуют директивам и нормам ЕС
UKR проголошує про зазначену нижче відповідність виробу директивам та стандартам ЄС на виріб
MK ja izjavува следната сообразност согласно EU-директивата и нормите за артикли
TR Ürünü ile ilgili AB direktifleri ve normları gereğince aşağıda açıklanan uygunluğu belirtir
N erklærer følgende samsvar i henhold til EU-direktivet og standarder for artikkel
IS Lýsir uppfyllingu EU-reglna og annarra staðla vöru

Electric Hedge Trimmer GLH 691 (Gardenline)

- | | |
|---|--|
| <input type="checkbox"/> 2014/29/EU | <input checked="" type="checkbox"/> 2006/42/EC |
| <input type="checkbox"/> 2005/32/EC_2009/125/EC | <input type="checkbox"/> Annex IV
Notified Body:
Notified Body No.:
Reg. No.: |
| <input type="checkbox"/> 2014/35/EU | |
| <input type="checkbox"/> 2006/28/EC | <input checked="" type="checkbox"/> 2000/14/EC_2005/88/EC |
| <input checked="" type="checkbox"/> 2014/30/EU | <input checked="" type="checkbox"/> Annex V |
| <input type="checkbox"/> 2014/32/EU | <input type="checkbox"/> Annex VI |
| <input type="checkbox"/> 2014/53/EC | Noise: measured L _{WA} = 96,53 dB (A); guaranteed L _{WA} = 97 dB (A) |
| <input type="checkbox"/> 2014/68/EU | P = 0,6 kW; L/Ø = 63 cm |
| <input type="checkbox"/> 90/396/EC_2009/142/EC | Notified Body: |
| <input type="checkbox"/> 89/686/EC_96/58/EC | <input type="checkbox"/> 2012/46/EU |
| <input checked="" type="checkbox"/> 2011/65/EU | Emission No.: |

**Standard references: EN 60745-1; EN 60745-2-15;
EN 55014-1; EN 55014-2; EN 61000-3-2; EN 61000-3-3**

Landau/Isar, den 03.08.2016

Weichselgartner/General-Manager

Gao/Product-Management

First CE: 14
Art.-No.: 34.033.97 I.-No.: 11016
Subject to change without notice

Archive-File/Record: NAPR015080
Documents registrar: Daniel Laubmeier
Wiesenweg 22, D-94405 Landau/Isar



Spend a little Live a lot

Great care has gone into the manufacture of this product and it should therefore provide you with years of good service when used properly. In the event of product failure within its intended use over the course of the first 3 years after date of purchase, we will remedy the problem as quickly as possible once it has been brought to our attention. In the unlikely event of such an occurrence, or if you require any information about the product, please contact us via our helpline support services, details of which are to be found both in this manual and on the product itself.



PRODUCED IN CHINA FOR:

ALDI STORES LTD. PO BOX 26, ATHERSTONE
WARWICKSHIRE, CV9 2SH.

ALDI STORES (IRELAND) LTD.
PO BOX 726, NAAS, CO. KILDARE.
Visit us at www.aldi.com

AFTER SALES SUPPORT

94414



GB 0044 151 649 1500



0044 1890 946 244



www.einhell.co.uk

MODEL:
GLH 691

05/2017

3
YEARS
WARRANTY