



florabest



Petrol Grass Trimmer FBS 43 A1

GB CY

Petrol Grass Trimmer

Operation and Safety Notes
Original operating instructions

GR CY

Θαμνοκοπτικό βενζίνης

Υποδείξεις χειρισμού και ασφαλείας
Πρωτότυπες Οδηγίες χρήσης

HR

Benzinski trimer

Upute za posluživanje i za Vašu sigurnost
Originalne upute za uporabu

DE AT CH

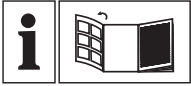
Benzin-Sense

Bedienungs- und Sicherheitshinweise
Originalbetriebsanleitung

IAN 72317

HR CY





GB CY

Before reading, unfold the page containing the illustrations and familiarise yourself with all functions of the device.

HR

Prije nego što pročitate tekst, otvorite stranicu sa slikama i upoznajte se na osnovu toga sa svim funkcijama uređaja.

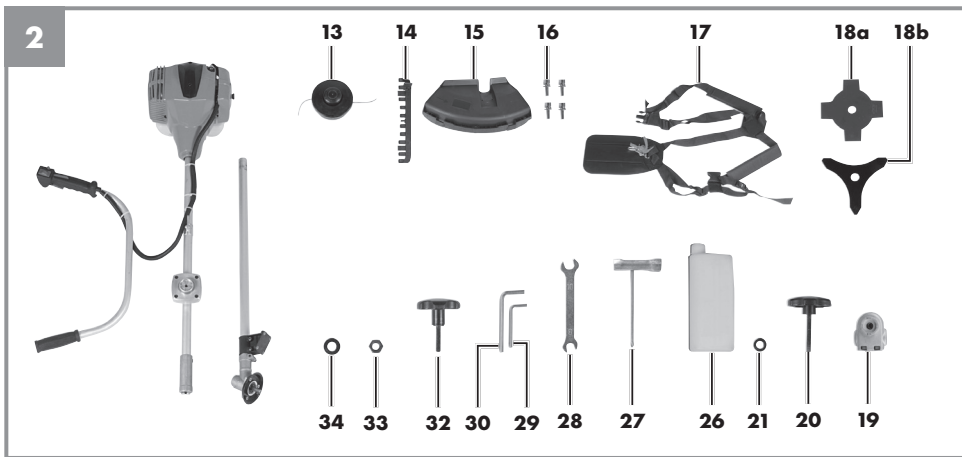
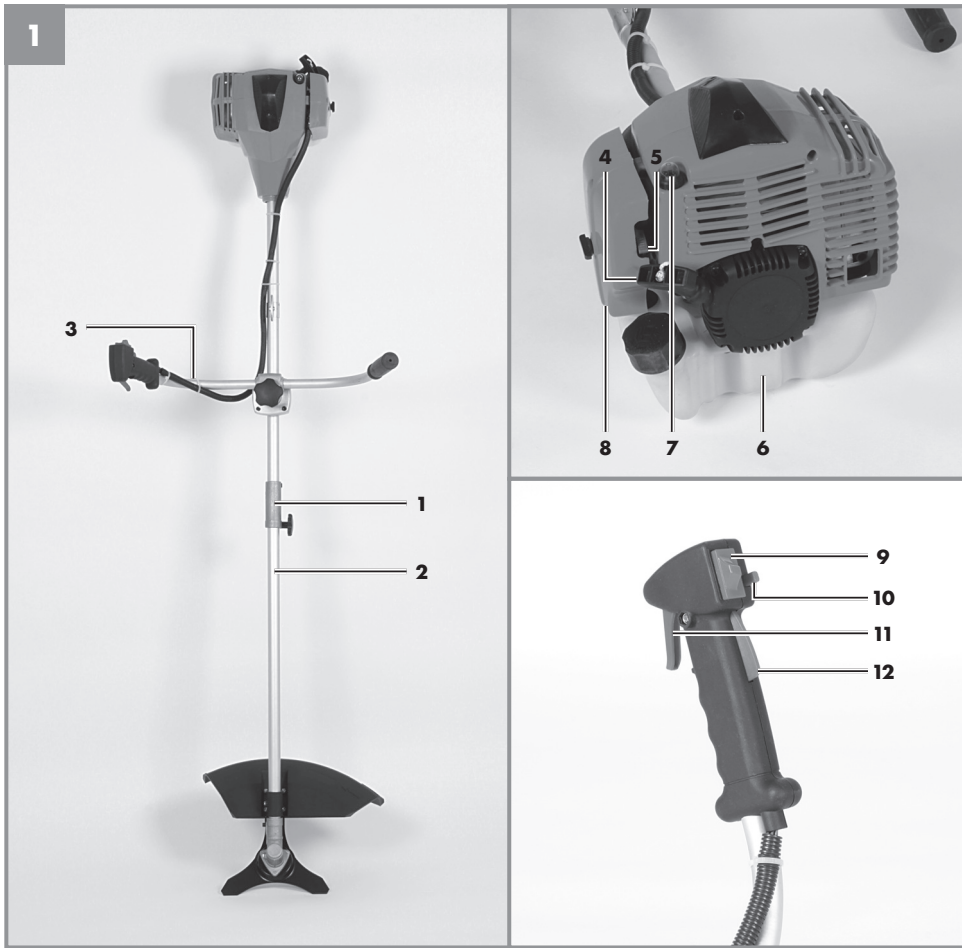
GR CY

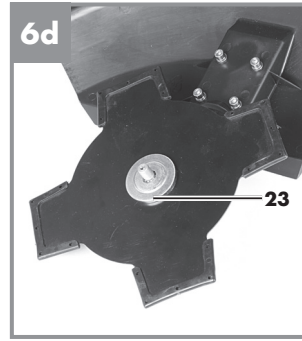
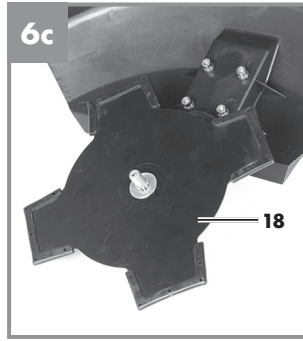
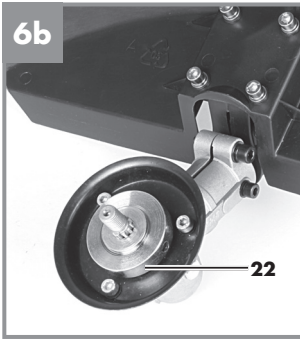
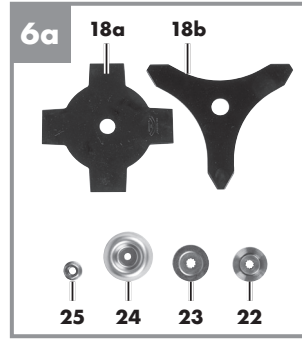
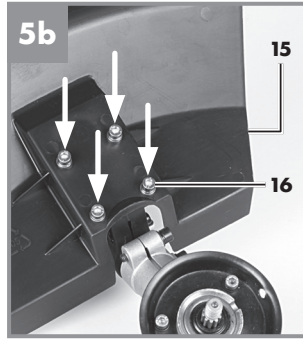
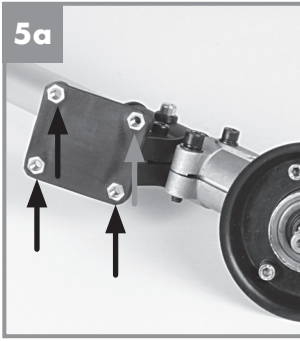
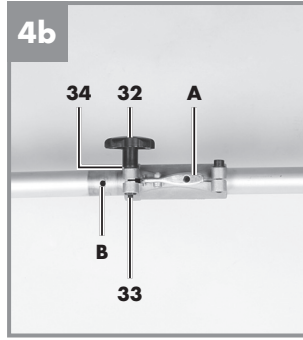
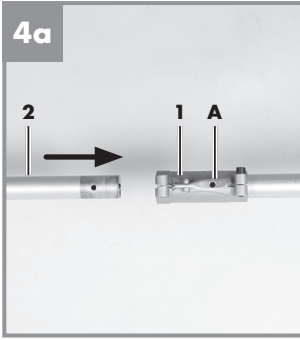
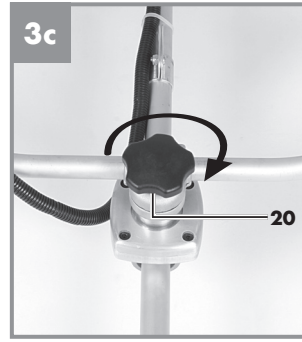
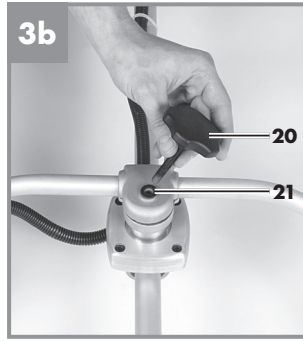
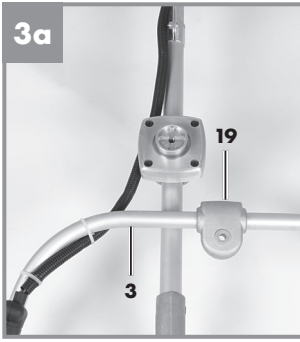
Πριν ξεκινήσετε την ανάγνωση, ανοίξτε τη σελίδα με τις εικόνες και εξοικειωθείτε με όλες τις λειτουργίες της συσκευής.

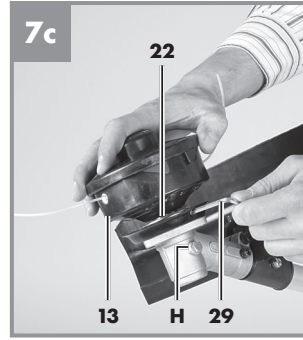
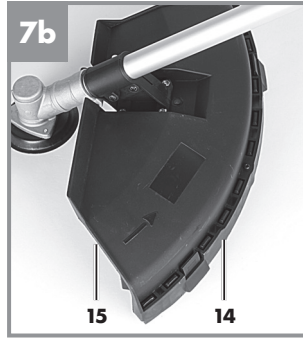
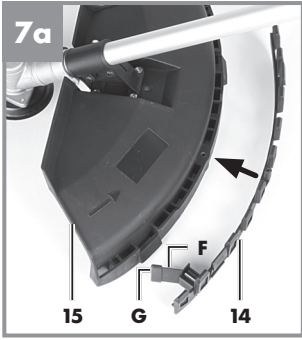
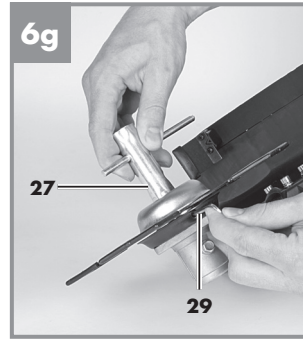
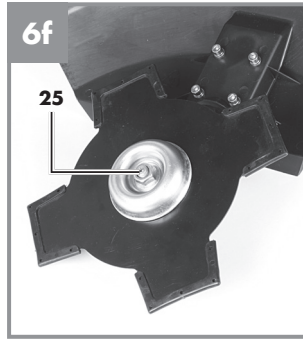
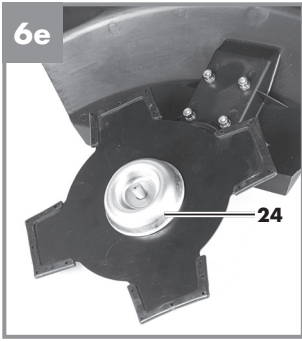
DE AT CH

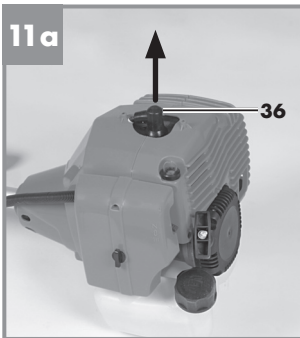
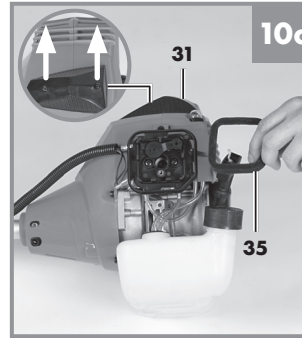
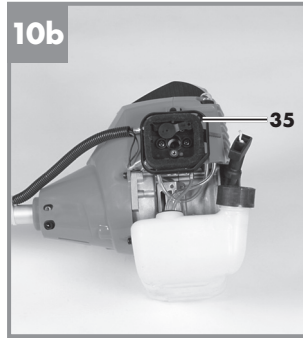
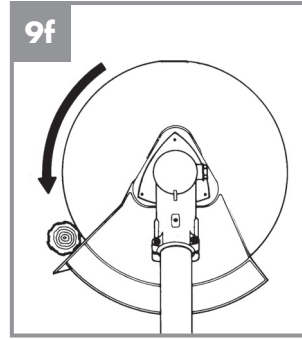
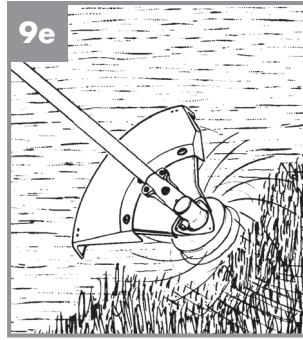
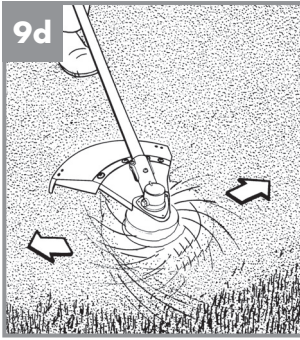
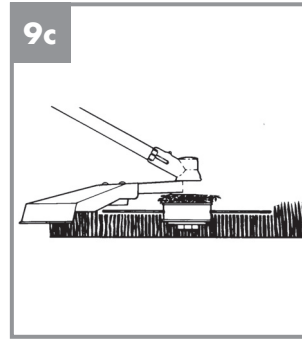
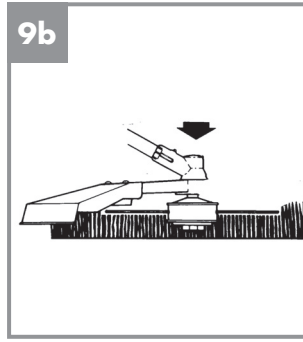
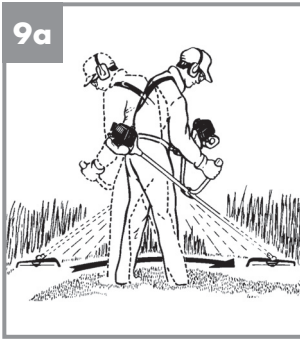
Klappen Sie vor dem Lesen die Seite mit den Abbildungen aus und machen Sie sich anschließend mit allen Funktionen des Gerätes vertraut.

GB/CY	Operation and Safety Notes	Page	8
HR	Upute za posluživanje i za Vašu sigurnost	Stranica	23
GR/CY	Υποδείξεις χειρισμού και ασφαλείας	Σελίδα	37
DE/AT/CH	Bedienungs- und Sicherheitshinweise	Seite	57



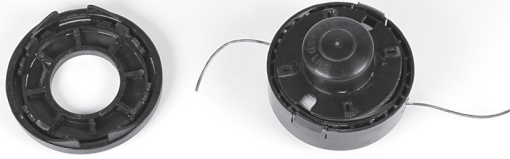








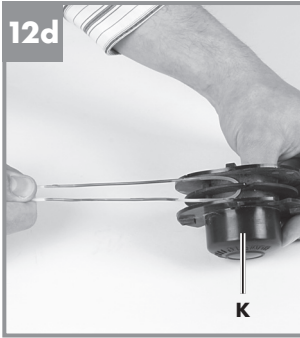
12b



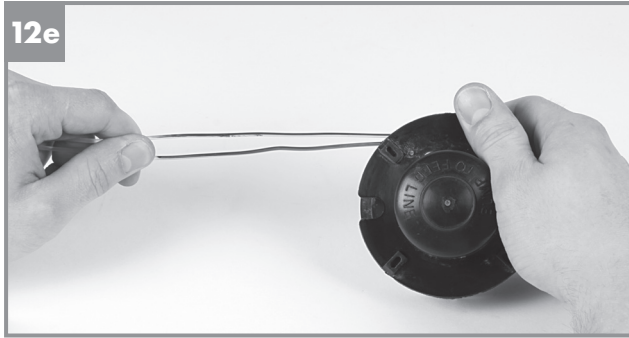
12c



12d



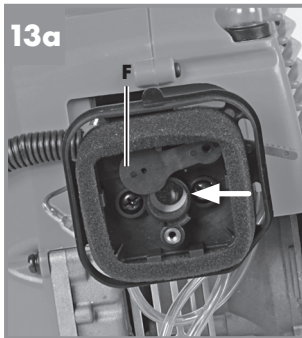
12e



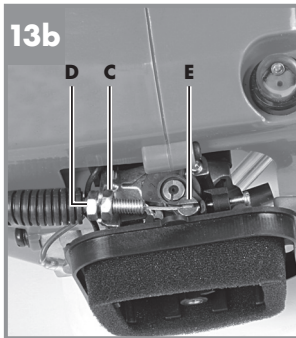
12f



13a



13b



14





Table of contents

1. Introduction.....	9
2. Safety regulations	9
3. Layout and items supplied.....	12
4. Intended use.....	12
5. Technical data.....	13
6. Before starting the equipment	13
7. Operation	15
8. Maintenance and ordering of spare parts.....	17
9. Storage and transport	19
10. Cleaning.....	19
11. Disposal and recycling.....	19
12. Troubleshooting.....	20
13. Declaration of conformity.....	21
14. Warranty certificate.....	22



The reprinting or reproduction by any other means, in whole or in part, of documentation and papers accompanying products is permitted only with the express consent of the iSC GmbH.

Subject to technical changes





1. Introduction

Congratulations on your new purchase. You have decided in favor of a high-quality product. The operating instructions are a part of this product. They contain information of importance for your safety, for the use of the product and for its disposal. Before you use the product, acquaint yourself with all the information concerning its operation and safety. Use the product only as described and only for the listed areas of application. If you hand on the product to other people, give them all the documentation as well.

2. Safety regulations

Caution!

Read all safety regulations and instructions.

Any errors made in following the safety regulations and instructions may result in an electric shock, fire and/or serious injury.

Keep all safety regulations and instructions in a safe place for future use.

Safety devices

When working with the equipment, the appropriate plastic guard hood for cutting blade mode or cutting line mode must be fitted to prevent objects being thrown out by the equipment. The integrated blade in the cutting line guard hood automatically cuts the line to the optimum length.

Explanation of the information signs on the equipment (Fig. 14):

1. Warning!
2. Read the instructions before using for the first time!
3. Wear protective headgear, goggles and ear muffs!
4. Wear sturdy, non-slip footwear!
5. Wear safety gloves!
6. Protect the equipment from rain and damp!
7. Be careful of objects being catapulted away!
8. Always switch off the equipment and pull out the spark boot plug before carrying out any maintenance work!

9. The distance between the equipment and persons in the vicinity must be at least 15 m!
10. The cutting tool (blade/cutting line) continues to rotate after the machine is switched off!
11. Caution: Hot equipment parts. Keep your distance!
12. Add a little grease (gear grease) after every 20 hours in operation!

Safety information

- Read the operating instructions carefully. Familiarize yourself with the settings and with the proper use of the equipment.
- Never allow other persons who are not familiar with the operating instructions to use the equipment. Contact your local governmental agency for information regarding minimum age requirements for the user.
- Never mow in the direct vicinity of persons - especially children - or animals.

Warning!

Maintain a safety distance of 15m. If approached, switch off the equipment immediately. Always keep in mind that the user of the equipment is responsible for accidents involving other persons or their property.

- Important: Danger of poisoning. Emissions, fuels and lubricants are toxic. Do not inhale emissions.

Before using

- Always wear sturdy, non-slip footwear and long trousers when mowing. Never mow barefoot or in sandals.
- Check the ground on which the equipment will be used and remove all objects that could be caught up and catapulted away.
- Warning! Petrol is highly flammable! Therefore:
 - Only store petrol in containers designed to hold petroleum-based liquids.
 - Only refuel out in the open and do not smoke during the refuelling process.
 - Always refuel before starting the engine. Do not open the fuel tank cap and do not refuel while the engine is running or when the equipment is hot.



- If petrol has overflowed, do not under any circumstances attempt to start the engine. Instead, remove the equipment from the affected area. Avoid starting the engine until the petrol fumes have completely evaporated.

- For safety reasons, the petrol tank and the tank cap must be replaced if they are damaged.

- Replace defective silencers.
- Before using the scythe, visually inspect it to ensure that the blade, mounting bolts and the entire cutting apparatus are in good working order (i.e. not worn out or damaged). To prevent any imbalance, replace worn out or damaged blades and mounting bolts as a set only (if applicable).

Handling (operation, storage, monitoring)

- Wear close-fitting work clothing which is in good condition and which offers protection, such as long trousers, sturdy work shoes, hard-wearing gloves, a helmet, a face mask or goggles to protect your eyes, and good quality cotton wool in your ears or some other ear protectors to reduce the noise.
- Store the equipment in a safe place. Open the petrol tank cap slowly to release any pressure that may have formed in the petrol tank. To prevent the risk of fire, move at least 3 meters from the refueling area before you start the equipment.
- Switch off the equipment before you put it down.
- Always hold the equipment firmly in both hands. Your fingers and thumbs should be wrapped around the handles.
- Ensure that all screws and connecting elements are secure. Never use the equipment if it has not been properly adjusted or has not been fully or safely assembled.
- Make sure that the handles are clean and dry and that there is no petrol mixture on them.
- Set the line spool to the required height. Avoid touching small objects such as stones with the line spool.
- When carrying out mowing work on a slope always stand at a lower level than the cutting tool. Never cut or trim on a smooth, slippery hill or slope.
- Keep all parts of your body and items of clothing away from the line spool when you start the engine and when the engine is running. Before you start the engine ensure that the line spool will not strike an obstacle.
- Always switch off the engine before working on the cutting tool.
- Store the equipment and accessories in a safe place protected from naked flames and heat/spark sources such as gas geyser heaters, tumble driers, oil stoves or portable radiators, etc.
- Keep the guard hood, line spool and engine clear of mowing debris at all times.
- Only adequately trained people and adults may use, adjust and maintain the equipment.
- If you are not familiar with the equipment, practice handling it with the engine off.
- Always check the site you want to mow before you begin your work. Solid objects such as pieces of metal, bottles, stones, etc. can be catapulted away and cause serious injuries and permanent damage to the equipment. If you touch a solid object with the equipment by mistake, switch off the engine immediately and check the equipment for signs of damage. Never use the equipment if it is damaged or defective.
- Always operate the equipment in its high speed range for trimming and cutting. Do not let the engine run at low speed at the start of mowing or during trimming work.
- Only use the equipment for the purpose for which it is intended, such as trimming and mowing weeds.
- Never hold the line spool above knee height when the equipment is in operation.
- Do not use the equipment if other people or animals are in the immediate vicinity. Keep a minimum distance of 15 m between yourself and other people or animals when mowing. Keep a distance of 30 m if you are mowing down to the ground.



Additional instructions

- Do not use any fuel other than that recommended in the operating instructions. Always follow the instructions in the section „Fuel and oil“. Do not use petrol that has not been mixed correctly with 2-stroke oil. Otherwise there is a risk of causing permanent damage to the engine and of voiding the manufacturer's guarantee.
- Do not smoke while refueling or using the equipment.
- Never use the equipment without the exhaust pipe.
- Do not touch the exhaust pipe with your hands or body. Hold the equipment so that your fingers and thumbs are wrapped around the handle.
- Do not use the equipment in an uncomfortable posture, off balance, with extended arms or with only one hand. Always use both hands on the equipment and wrap your fingers and thumbs around the handles.
- Always keep the line spool on the ground whilst the equipment is in operation.
- Use the equipment only for the purpose for which it is intended, such as trimming and mowing weeds.
- Do not use the equipment over a lengthy period of time - take regular breaks.
- Do not use the equipment when under the influence of alcohol or drugs.
- Use the equipment only when the guard hood is fitted and in good working order.
- Any modifications to the product may place your personal safety at risk and cause the manufacturer's warranty to be voided.
- Never use the equipment near inflammable liquids or gases, neither in enclosed rooms nor outdoors. This may cause explosions and/or fire.

- Do not use any other cutting tools. For your own safety you must use only the accessories and attachments which are listed in the operating instructions or which are recommended or specified by the manufacturer. The use of cutting tools or accessories other than those recommended in the operating instructions or catalog may place your personal safety at risk.

Safety precautions for handling the blade

- Take note of all warnings and instructions relating to operating and fitting the blade.
- The blade can recoil suddenly from objects if it cannot cut or mow through them.
- This can cause injuries to the arms or legs. Keep bystanders and animals at least 15 m away from where you are working. If the equipment strikes a foreign body, stop the engine immediately and wait for the blade to come to a standstill. Check the blade for signs of damage. Always replace the blade if it is bent or cracked.
- The blade is liable to catapult away objects with high force. This can cause blindness or injuries. Wear protection on your eyes, face and legs. Always remove objects from your working area before you use the blade.
- Carefully check the equipment and its fittings for signs of damage every time before use. Do not use the equipment unless all the blade fittings are installed correctly.
- When you release the throttle lever, the blade will continue to rotate and will only gradually come to a standstill. A blade which is in the process of rotating to a standstill can cause you or bystanders injuries through cutting. Before you start any work on the blade, switch off the engine and ensure that the blade has come to a standstill.
- The danger zone has a radius of 15 meters. Bystanders may suffer blindness or injuries. Keep a distance of 15 meters between yourself and other people or animals.



3. Layout and items supplied

3.1 Layout (Fig. 1-13)

1. Connecting piece for long handle
2. Long handle
3. Steady grip
4. Starter line / starter cable
5. Choke lever
6. Petrol tank
7. Fuel pump „primer“
8. Air filter housing cover
9. On/Off switch
10. Throttle lever lock
11. Throttle lever
12. Throttle lock
13. Line spool with cutting line
14. Cutting line guard hood
15. Cutting blade guard hood
16. Screw M5 (4x)
17. Carrying strap
- 18a. Cutting blade (4 teeth)
- 18b. Cutting blade (3 teeth)
19. Holder for steady grip
20. Handle screw M8
21. Washer Ø 8mm
22. Carrier plate
23. Pressure plate
24. Pressure plate cover
25. Nut M10 (left-hand thread)
26. Oil/petrol mixing bottle
27. Spark plug wrench
28. Open-ended wrench 8/10 mm
29. Hex wrench 4 mm
30. Hex wrench 5 mm
31. Protective cap for spark boot plug
32. Handle screw M6
33. Nut M6
34. Washer Ø 6mm
35. Air filter
36. Spark boot plug

The cutting blade (18a/18b) and the line spool (13) are jointly referred to in the text as the cutting tool (generic term).

3.2 Items supplied

- Open the packaging and take out the equipment with care.
- Remove the packaging material and any packaging and/or transportation braces (if available).
- Check to see if all items are supplied.
- Inspect the equipment and accessories for transport damage.
- If possible, please keep the packaging until the end of the guarantee period.

Important!

The equipment and packaging material are not toys. Do not let children play with plastic bags, foils or small parts. There is a danger of swallowing or suffocating!

4. Intended use

The equipment (cutting blade mode) is designed for cutting high grass and sparse scrub with the 4-tooth blade and for cutting dense scrub and slender wood growth with the 3-tooth blade.

The equipment (line spool mode) is designed for cutting lawns and small weeds. The operating instructions as supplied by the manufacturer must be obeyed to ensure that the equipment is used properly.

Any use which is not expressly permitted in these instructions may result in damage to the equipment and place the user in serious danger. Be sure to observe the restrictions in the safety information.

Please note that our equipment has not been designed for use in commercial, trade or industrial applications. Our warranty will be voided if the equipment is used in commercial, trade or industrial businesses or for equivalent purposes.

Caution! Due to the high risk of physical injury to the user, the equipment must not be used to carry out the following work: to clean dirt and debris off walkways, or to chop up tree or hedge clippings. Similarly, the equipment must not be used to level out high areas such as molehills. For safety rea-

sons, the equipment is not allowed to be used as a drive unit for other tools of any kind.

The equipment is allowed to be used only for its intended purpose. Any other use is deemed to be a case of misuse. The user/operator and not the manufacturer will be liable for any damage or injuries of any kind resulting from such misuse.

5. Technical data

Engine type	2-stroke engine, air-cooled, chrome cylinder
Engine power (max.)	1.35 kW/ 1.8 hp
Displacement	42.7 ccm
Idle engine speed	3000 min ⁻¹
Max. engine speed	
with blade:	9000 min ⁻¹
with line spool:	8400 min ⁻¹
Max. cutting speed	
with blade:	6800 min ⁻¹
with line spool:	6300 min ⁻¹
Ignition	Electronic
Drive	Centrifugal clutch
Weight (with empty tank)	7.5 kg
Cutting circle diameter of line	41 cm
Cutting circle diameter of blade	23 cm
Cutting line length	8.0 m
Cutting line diameter	2.0 mm
Tank capacity	0.8 l
Spark plug	Champion RCJ6Y
Fuel consumption at	
max. engine power	0.6 kg/h
Specific fuel consumption	
at max. engine power	446 g/kWh

Sound and vibration

L _{pA} sound pressure level	98 dB(A)
K _{pA} uncertainty	1.5 dB
L _{WA} sound power level	110 dB(A)
K _{WA} uncertainty	1.5 dB

Wear ear-muffs.

The impact of noise can cause damage to hearing.

Operation

Vibration emission value $a_h = 4.1 \text{ m/s}^2$
K uncertainty = 1.5 m/s^2

Keep the noise emissions and vibrations to a minimum.

- Only use appliances which are in perfect working order.
- Service and clean the appliance regularly.
- Adapt your working style to suit the appliance.
- Do not overload the appliance.
- Have the appliance serviced whenever necessary.
- Switch the appliance off when it is not in use.
- Wear protective gloves.

6. Before starting the equipment

6.1 Assembly

6.1.1 Fitting the steady grip (Fig. 3a-3c)

Fit the steady grip (3) as shown in Figures 3a-3c. Do not tighten the screw (20) until you have set the optimum working position with the carrying strap (17) (see also section 6.2). The steady grip should be aligned as shown in Figure 1. To dismantle, proceed in reverse order.

6.1.2 Fitting the long handle (Fig. 4a-4c)

Pass the handle screw (32) through the washer (34) and into the connecting piece of the long handle (1). Secure the handle screw loosely with the nut (33). Now press the locking lever (A) and push the long handle (Fig. 4a/Item 2) carefully into the connecting piece for the long handle. While doing so, ensure that the drive shafts on the inside of the long handle slide into each other (turn the line spool (13) / cutting blade (18a/18b) gently if required). The lug of the locking lever (A) must latch into the hole (B). Now



tighten the handle screw as shown in Figure 4c. To dismantle, simply slacken the handle screw and actuate the locking lever.

6.1.3 Fitting the blade guard hood

Important: The cutting blade guard hood (15) must be fitted when you want to work with the cutting blade.

The guard hood for the cutting blade must be installed as shown in Figures 5a – 5b.

6.1.4 Fitting/Replacing the cutting blade

The procedure for fitting the cutting blade (18a/18b) is shown in Figures 6a-6g. To dismantle, proceed in reverse order.

- Fit the carrier plate (22) onto the spline shaft as shown in Figure 6b.
- Secure the cutting blade (18a/18b) on the carrier plate (Fig. 6c).
- Place the pressure plate (23) over the thread of the spline shaft (Fig. 6d).
- Plug on the cover of the pressure plate (24) (Fig. 6e).
- Look for the hole in the carrier plate, line up with the notch underneath, lock with the supplied hex wrench (29), and then tighten the nut (25) with the spark plug wrench (27) (Fig. 6f/6g). **Important:** Left-hand thread
- The cutting blades (18a/18b) are delivered with plastic protective caps fitted to them. Remove these caps before use and refit them after use.

6.1.5 Fitting the cutting line guard hood on the cutting blade guard hood

Important: The cutting line guard hood (14) must be fitted in addition when you want to work with the cutting line.

The guard hood for the cutting line must be installed as shown in Figures 7a – 7b. Make sure that the cutting line guard hood engages correctly. A blade (Fig. 7a/ Item F) on the underside of the guard hood automatically cuts the cutting line to the optimum length. It is covered by a guard (Fig. 7a/Item G).

Remove the guard before you start working and replace it when you have finished working.

6.1.6 Fitting/Replacing the line spool

The procedure for fitting the line spool (13) is shown in Figure 7c. To dismantle, proceed in reverse order. The line spool is already fitted when the equipment is delivered.

Look for the hole in the carrier plate (22), line up with the notch beneath it, lock with the supplied hex wrench (29), and screw the line spool onto the thread.

Important: Left-hand thread

6.2 Setting the cutting height

- Fit the carrying strap (17) as shown in Figures 8a-8c.
- Hook the equipment to the carrying belt (Fig. 8d).
- Adjust to the perfect working and cutting position using the various strap adjusters on the carrying strap (Fig. 8e).
- To confirm the optimum length of the carrying strap, make a few swinging movements with the engine off (Fig. 9a).

The carrying strap is fitted with a quick-release mechanism. Pull the red strap section (Fig. 8f) if you need to remove the strap quickly.

Important: Always use the strap when working with the equipment. Attach the strap as soon as you have started the engine and it is running in idle mode. Switch off the engine before you take off the carrying strap.

6.3 Fuel and oil

Recommended fuels

Use only a mixture of unleaded petrol and special 2-stroke engine oil.

Mix the fuel mixture as indicated in the fuel mixing table.

Important: Do not use a fuel mixture which has been stored for longer than 90 days.

Important: Never use 2-stroke oil with a recommended mixing ratio of 100:1. The manufacturer's warranty will be voided in case of engine damage due to inadequate lubrication.

Important: Only use containers designed and approved for the purpose to transport and store

fuel. Pour the correct quantities of petrol and 2-stroke oil into the mixing bottle (see scale printed on the bottle). Then shake the bottle well.

6.4 Fuel mixing table

Mixing procedure: 40 parts petrol to 1 part oil

Petrol	2-stroke oil
1 liter	25 ml
5 liters	125 ml

7. Operation

Please note that the statutory regulations governing noise abatement may differ from one location to another.

Each time before use, check the following :

- That there are no leaks in the fuel system.
- That the equipment is in perfect condition and that the safety devices and cutting devices are complete.
- That all screws are securely fastened.
- That all moving parts move smoothly.

7.1 Starting the engine when cold

Fill the tank with the oil/petrol mix. See also „Fuel and oil“.

1. Set the equipment down on a hard, level surface.
2. Press the fuel pump (primer) (Fig. 1/Item 7) 10 times.
3. Move the On/Off switch (Fig. 1/Item 9) to „I“.
4. Secure the throttle lever (Fig. 1 / Item 11). To do this, press the throttle lever lock (Fig. 1/Item 12) and then press the throttle lever (Fig. 1/Item 11) and lock the throttle lever by pressing the lock (Fig. 1/Item 10) at the same time.
5. Set the choke lever (Fig. 1/Item 5) to „I“.
6. Hold the equipment firmly and pull out the starter cable (Fig. 1/Item 4) until you feel it begin to resist. Then tug sharply on the starter cable 4 times. The equipment should start.

Important: Never allow the starter line to snap back. This may result in damage.

Important: Since the throttle lever is secured, the cutting tool starts to operate when the engine is started.

Then release the throttle lever by actuating it once. Actuating the throttle lever will also release the choke lever. (The engine returns to its idle state).

7. If the engine does not start up, repeat steps 4-6 above.

Please note: If the engine does not start up even after several attempts, read the section „Troubleshooting“.

Please note: Always pull out the starter cable in a straight line. If it is pulled out at an angle, friction will occur on the eyelet.

As a result of this friction, the starter line will become frayed and will wear away faster. Always hold the starter cable when the starter line retracts.

Never allow the starter line to snap back when it has been pulled out.

7.2 Starting the engine when warm

(The equipment has been idle for less than 15-20 min.)

1. Set the equipment down on a hard, level surface.
2. Switch the On/Off switch to „I“ (Fig. 1 / Item 9).
3. Secure the throttle lever (Fig. 1 / Item 11) (in the same way as described in “Starting the engine when cold”).
4. Hold the equipment firmly and pull out the starter cable until you feel it start to resist. Then tug sharply on the starter cable. The equipment should start after 1-2 tugs. If the equipment does not start after 6 tugs, repeat steps 1 – 7 of the procedure for starting the engine from cold.



7.3 Switching off the engine

Emergency Stop procedure:

If it becomes necessary to stop the equipment immediately, set the On/Off switch (9) to "Stop" or "0".

Normal procedure:

Let go of the throttle lever (11) and wait until the engine has changed to idling speed. Then set the On/Off switch (9) to "Stop" or "0".

7.4 Practical tips

Practice all the work steps with the engine switched off before you start to use the equipment.

Warning! Take extreme care during mowing work. When doing such work keep a distance of 30 meters between yourself and other people or animals.

Extending the cutting line

Warning! Do not use any kind of metal wire or metal wire encased in plastic in the line spool. This may cause serious injuries to the user.

To extend the cutting line (13), run the engine at full speed and tap the line spool on the ground. This will automatically extend the line. The blade on the guard hood will cut the line to the permissible length (Fig. 9b).

Important: Remove all grass and weed remnants at regular intervals to prevent the equipment from overheating.

Grass and weed remnants become trapped under the guard hood (Fig. 9c) and prevent the equipment from cooling sufficiently. Remove the remnants carefully using a screwdriver or the like.

Different cutting methods

When the equipment is correctly assembled it will cut weeds and long grass in places which are difficult to access, e.g. along fences, walls and foundations and also around trees. It can also be used for „mowing“ down vegetation so that a garden can be better prepared or a certain area cleared down to the soil.

Please note: Even if it is used carefully, cutting around foundations, stone or concrete walls, etc. will result in the line suffering more than the normal level of wear.

Trimming/mowing (with line spool/cutting blade)

Swing the equipment from side to side in a scything motion. Always keep the cutting tool parallel to the ground.

Check the site and decide which cutting height you require. Guide and hold the cutting tool at the required height to ensure that you cut evenly (Fig. 9d).

Low trimming (with line spool)

Hold the equipment right in front of you at a slight angle so that the underside of the line spool is above the ground and the line strikes the correct target. Always cut away from yourself. Never draw the equipment towards yourself.

Cutting along fences/foundations (with line spool)

Approach wire mesh fences, lath fences, natural stone walls and foundations slowly so that you can cut close to them without striking the obstacle with the line. If, for example, the line strikes stones, stone walls or foundations, it will wear or fray. If the line strikes wire fencing, it will break.

Trimming around trees (with line spool)

When trimming around tree trunks, approach slowly so that the line does not strike the bark. Walk around the tree and take care not to damage the tree. Approach grass or weeds with the tip of the line and tilt the line spool forwards slightly.

Mowing down to the ground (with line spool)

When mowing down to the ground you will cut all the vegetation. To do this, set the line spool at an angle of 30° to the right. Place the handle in the required position (Fig. 9e).

Caution! Increased risk of injury to the user, bystanders and animals, and increased risk of damaging property due to objects (e.g. stones) being catapulted away.



Caution! Do not use the equipment to remove objects from footpaths, etc.

The petrol scythe is a powerful tool and can catapult small stones and other objects a distance of 15 meters or more, causing injuries and damage to cars, houses and windows.

Sawing

The equipment is not suitable for sawing.

Jamming

If the cutting tool jams as a result of attempting to cut vegetation that is too dense, switch off the engine immediately. Remove the grass and scrub from the equipment before you restart it.

Preventing recoil

When you work with the blade, there is a risk of recoil if it strikes solid objects (tree trunks, branches, tree stumps, stones or the like). This will throw the equipment backwards in the direction opposite to the rotation of the cutting tool. This can cause you to lose control of the equipment. Do not use the blade near fences, metal posts, boundary stones or foundations. For cutting slender wood growth, position the equipment as shown in Fig. 9f in order to prevent recoil.

8. Maintenance and ordering of spare parts

Always switch off the equipment and pull out the spark boot plug (36) before carrying out any maintenance work.

8.1 Replacing the line spool/cutting line

1. Dismantle the line spool (13) as described in section 6.1.6. Press the spool together (Fig. 12a) and remove one half of the housing (Fig. 12b).
2. Take the spool plate (K) out of the line spool housing (Fig. 12c).
3. Remove any remaining cutting line.
4. Place the new cutting line in the center and hang the loop which has formed into the recess in the spool splitter. (Fig. 12d)
5. Wind up the line counter-clockwise and under

tension. The spool splitter will separate the two halves of the line. (Fig. 12e)

6. Hook the last 15 cm of the two ends of the line onto the opposite lying line holders of the spool plate. (Fig. 12f)
7. Thread the two ends of the line through the metal eyelets in the line spool housing (Fig. 12c).
8. Press the spool plate into the line spool housing (Fig. 12b).
9. Pull the two line ends sharply to release them from the line holders.
10. Join the housing parts together again.
11. Cut the excess line to a length of around 13 cm. This will reduce the load on the engine when starting and warming up.
12. Refit the line spool (see section 6.1.6). If you are replacing the complete line spool, skip points 3-6.

8.2 Maintenance of the air filter

Soiled air filters reduce the engine output by supplying too little air to the carburetor.

Regular checks are therefore essential.

The air filter (35) should be checked after every 25 hours of use and cleaned if necessary. If the air contains a lot of dust, the air filter should be checked more frequently.

1. Remove the cover from the air filter housing (Fig. 10a / Item 8)
2. Remove the air filter (Fig. 10b/10c)
3. Clean the air filter by tapping it or blowing it out (with compressed air).
4. Assemble in reverse order.

Important: Never clean the air filter with petrol or inflammable solvents.



8.3 Maintenance of the spark plug

Electrode gap = 0.6 mm (distance between the electrodes between which the ignition spark is created). Tighten the spark plug with 12 to 15 Nm using a torque wrench (available from your dealer). Check the spark plug for dirt and grime after 10 hours of operation and if necessary clean it with a copper wire brush.

Thereafter service the spark plug after every 50 hours of operation.

1. Dismantle the protective cap (Fig. 10c/Item 31) using a screwdriver.
2. Pull off the spark boot plug (Fig. 11a/Item 36).
3. Remove the spark plug (Fig. 11b) with the supplied spark plug wrench (27).
4. Assemble in reverse order.

8.4 Sharpening the guard hood blade

The guard hood blade (Fig. 7a/Item F) can become blunt over time. If you notice this, undo the two screws holding the guard hood blade to the guard hood. Clamp the blade in a vise. Sharpen the blade with a flat file and make sure that the angle of the cutting edge is not altered in the process. File in one direction only.

8.5 Carburetor settings

Important: Settings on the carburetor are allowed to be made by authorized customer service personnel.

The air filter housing cover must be removed before any work on the carburetor, as shown in Figures 10a and 10b.

Setting the throttle cable:

If the maximum speed of the equipment drops over time and you have ruled out all the other possible causes listed in the section „Troubleshooting“, it may be necessary to adjust the throttle cable.

First of all check whether the carburetor opens fully when the throttle lever is pressed right through. This is the case if the carburetor slide (Fig. 13a/Item F) is completely opened when the throttle is fully activated.

Figure 13a shows the correct setting. If the carburetor slide is not completely open, it must be

adjusted.

The following steps are required to adjust the throttle cable:

- Undo the lock nut (Fig. 13b/Item C) a few turns.
- Undo the adjusting screw (Fig. 13b/Item D) until the carburetor slide is completely open when the throttle is fully activated, as shown in Figure 13a.
- Retighten the lock nut.

Setting the idling speed:

Caution! Set the idling speed when the equipment is warm.

If the engine stalls when the throttle is not pressed and you have ruled out all the other possible causes listed in the section „Troubleshooting“, the idling speed must be adjusted. To do this turn the idling speed screw (Fig. 13b/Item E) clockwise until the equipment runs smoothly at idling speed. If the idling speed is so fast that the cutting tool turns as well, it has to be reduced by turning the idling speed screw for as long as is required for the cutting tool to stop turning as well.

8.6 Applying grease to the gear unit

Add a little gear grease (approx. 10 g) after every 20 hours in operation. To do so, open the screw H (Fig. 7c).

8.7 Environmental protection

Dispose of soiled maintenance material and operating materials at the appropriate collection point.

Recycle packaging material, metal and plastics.

8.8 Ordering replacement parts

Please provide the following information on all orders for spare parts:

- Type of unit
- Article number of the unit
- ID number of the unit

For current prices and information please visit www.isc-gmbh.info



9. Storage and transport

9.1 Storage

Important: Never put the equipment into storage for longer than 30 days without carrying out the following steps.

Storing the equipment

If you intend to store the equipment for longer than 30 days, it must be prepared accordingly. Otherwise the fuel still remaining in the carburetor will evaporate and leave a rubbery sediment. This can cause problems when starting up the equipment and may require expensive repairs.

1. Slowly remove the fuel tank cap to release any pressure that may have formed in the tank. Carefully empty the tank (6).
2. To remove the fuel from the carburetor, start the engine and let it run until the equipment stops.
3. Leave the engine to cool (approx. 5 minutes).
4. Remove the spark plug (see 8.3).
5. Add one teaspoon of 2-stroke engine oil into the combustion chamber. Slowly pull the starter cord several times to apply a layer of oil to all internal components. Fit the spark plug again.

Note: Store the equipment in a dry place and far away from possible ignition sources such as an oven, a gas-fired hot water boiler, a gas-fired dryer, etc.

Putting the equipment back into operation

1. Remove the spark plug (see 8.3).
2. Quickly tug on the starter line to remove excess oil from the combustion chamber.
3. Clean the spark plug and check that the electrode gap is correct, or insert a new spark plug with the correct electrode gap.
4. Prepare the equipment for operation.
5. Fill the tank with the relevant mixture of fuel and oil. See the section "Fuel and oil".

9.2 Transport

To transport the equipment, empty the petrol tank as described in the section "Storage". Clean coarse dirt off the equipment with a brush or hand brush. Dismantle the steady grip and the long handle as described in section 6.1.1 and 6.1.2.

10. Cleaning

Always switch off the equipment and pull out the spark boot plug before carrying out any cleaning work.

- The equipment should be cleaned thoroughly every time after it has been used. This applies particularly to the cutting tool and the guard hoods.
- Keep the air vents and the motor housing free of dirt and dust as far as possible. Wipe the equipment with a clean cloth or blow it down with compressed air at low pressure.
- It is easiest to remove dirt and grass immediately after mowing.
- Clean the equipment regularly with a damp cloth and some soft soap. Do not use cleaning agents or solvents; these may be aggressive to the plastic parts in the equipment. Ensure that no water can get into the interior of the equipment.

11. Disposal and recycling

The equipment is supplied in packaging to prevent it from being damaged in transit. The raw materials in this packaging can be reused or recycled. The equipment and its accessories are made of various types of material, such as metal and plastic. Defective components must be disposed of as special waste. Fuel and oil must be disposed of only at special refuse collection centers. Ask your dealer or your local council.

12. Troubleshooting

Fault	Possible cause	Troubleshooting
The equipment does not start	<ul style="list-style-type: none"> - Correct starting procedure not followed - Sooted or damp spark plug - Incorrect carburetor setting 	<ul style="list-style-type: none"> - Follow the instructions for starting - Clean the spark plug or replace it with a new one - Contact an authorized customer service outlet or send the equipment to ISC-GmbH
The equipment starts but does not develop its full power	<ul style="list-style-type: none"> - Incorrect choke lever (5) setting - Soiled air filter (35) - Incorrect carburetor setting 	<ul style="list-style-type: none"> - Set the choke lever to "4" - Clean the air filter - Contact an authorized customer service outlet or send the equipment to ISC-GmbH
The engine does not run smoothly	<ul style="list-style-type: none"> - Incorrect electrode gap on the spark plug - Incorrect carburetor setting 	<ul style="list-style-type: none"> - Clean the spark plug and adjust the electrode gap or fit a new spark plug - Contact an authorized customer service outlet or send the equipment to ISC-GmbH
Engine smokes excessively	<ul style="list-style-type: none"> - Incorrect fuel mix - Incorrect carburetor setting 	<ul style="list-style-type: none"> - Use the correct fuel mix (see fuel mixing table) - Contact an authorized customer service outlet or send the equipment to ISC-GmbH

13. Declaration of conformity

Einhell Germany AG · Wiesenweg 22 · D-94405 Landau/Isar



Konformitätserklärung

- D** erklärt folgende Konformität gemäß EU-Richtlinie und Normen für Artikel
- GB** explains the following conformity according to EU directives and norms for the following product
- F** déclare la conformité suivante selon la directive CE et les normes concernant l'article
- I** dichiara la seguente conformità secondo la direttiva UE e le norme per l'articolo
- NL** verklaart de volgende overeenstemming conform EU richtlijn en normen voor het product
- E** declara la siguiente conformidad a tenor de la directiva y normas de la UE para el artículo
- P** declara a seguinte conformidade, de acordo com a directiva CE e normas para o artigo
- DK** attesterer følgende overensstemmelse i medfør af EU-direktiv samt standarder for artikel
- S** förklarar följande överensstämmelse enl. EU-direktiv och standarder för artikeln
- FIN** vakuuttaa, että tuote täyttää EU-direktiivin ja standardien vaatimukset
- EE** tõendab toote vastavust EL direktiivile ja standarditele
- CZ** vydává následující prohlášení o shodě podle směrnice EU a norem pro výrobek
- SLO** potrjuje sledečo skladnost s smernico EU in standardi za izdelek
- SK** vydáva nasledujúce prehlásenie o zhode podľa smernice EÚ a noriem pre výrobok
- H** a cikkhez az EU-irányvonal és Normák szerint a következő konformitást jelenti ki
- PL** deklaruje zgodność wymienionego poniżej artykułu z następującymi normami na podstawie dyrektywy WE.
- BG** декларира съответното съответствие съгласно Директива на ЕС и норми за артикул
- LV** paskaidro šādu atbilstību ES direktīvai un standartiem
- LT** apibūdina šį atitikimą EU reikalavimams ir prekės normoms
- RO** declară următoarea conformitate conform directivei UE și normelor pentru articolul
- GR** δηλώνει την ακόλουθη συμμόρφωση σύμφωνα με την Οδηγία ΕΚ και τα πρότυπα για το προϊόν
- HR** potvrđuje sljedeću uskladenost prema smjernicama EU i normama za artikl
- HR** Izjava o sukladnosti za ovaj proizvod dostupna je na internet stranici www.lidl.hr.
- BIH** potvrđuje sljedeću uskladenost prema smjernicama EU i normama za artikl
- RS** potvrđuje sledeću uskladenost prema smernicama EZ i normama za artikal
- RUS** следующим удостоверяется, что следующие продукты соответствуют директивам и нормам ЕС
- UKR** проголошує про зазначену нижче відповідність виробу директивам та стандартам ЄС на виріб
- MK** ja izjavuва следната сообразност согласно EУ-директивата и нормите за артикли
- TR** Ürünü ile ilgili AB direktifleri ve normları gereğince aşağıda açıklanan uygunluğu belirtir
- N** erklærer følgende samsvar i henhold til EU-direktivet og standarder for artikkel
- IS** Lýsir uppfyllingu EU-reglna og annarra staðla vöru

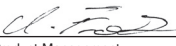
Benzin-Sense FBS 43 A1 (Florabest)

- | | |
|---|---|
| <input type="checkbox"/> 87/404/EC_2009/105/EC | <input checked="" type="checkbox"/> 2006/42/EC |
| <input type="checkbox"/> 2005/32/EC_2009/125/EC | <input type="checkbox"/> Annex IV
Notified Body:
Notified Body No.:
Reg. No.: |
| <input type="checkbox"/> 2006/95/EC | |
| <input type="checkbox"/> 2006/28/EC | <input checked="" type="checkbox"/> 2000/14/EC_2005/88/EC |
| <input checked="" type="checkbox"/> 2004/108/EC | <input checked="" type="checkbox"/> Annex V |
| <input type="checkbox"/> 2004/22/EC | <input type="checkbox"/> Annex VI
Noise measured: $L_{WA} = 104,7$ dB (A); guaranteed $L_{WA} = 110$ dB (A)
$P = 1,35$ KW; $L/\varnothing =$ cm
Notified Body: |
| <input type="checkbox"/> 1999/5/EC | |
| <input type="checkbox"/> 97/23/EC | <input checked="" type="checkbox"/> 2006/28/EC
Emission No.: e11*97/68SA*2004/26*1181*00 |
| <input type="checkbox"/> 90/396/EC_2009/142/EC | |
| <input type="checkbox"/> 89/686/EC_96/58/EC | |
| <input type="checkbox"/> 2011/65/EC | |

Standard references: EN ISO 11806; EN ISO 14982

Landau/Isar, den 14.02.2012


Weichselgartner/General-Manager


Frank/Product-Management

First CE: 10
Art.No.: 34.019.95 I.No.: 11011
Subject to change without notice

Archive-File/Record: NAPR005246
Documents registrar: Robert Mayn
Wiesenweg 22, D-94405 Landau/Isar

14. Warranty certificate

Dear Customer,

All of our products undergo strict quality checks to ensure that they reach you in perfect condition. In the unlikely event that your device develops a fault, please contact our service department at the address shown on this guarantee card. Of course, if you would prefer to call us then we are also happy to offer our assistance under the service number printed below. Please note the following terms under which guarantee claims can be made:

1. These guarantee terms cover additional guarantee rights and do not affect your statutory warranty rights. We do not charge you for this guarantee.
2. Our guarantee only covers problems caused by material or manufacturing defects, and it is restricted to the rectification of these defects or replacement of the device. Please note that our devices have not been designed for use in commercial, trade or industrial applications. Consequently, the guarantee is invalidated if the equipment is used in commercial, trade or industrial applications or for other equivalent activities. The following are also excluded from our guarantee: compensation for transport damage, damage caused by failure to comply with the installation/assembly instructions or damage caused by unprofessional installation, failure to comply with the operating instructions (e.g. connection to the wrong mains voltage or current type), misuse or inappropriate use (such as overloading of the device or use of non-approved tools or accessories), failure to comply with the maintenance and safety regulations, ingress of foreign bodies into the device (e.g. sand, stones or dust), effects of force or external influences (e.g. damage caused by the device being dropped) and normal wear resulting from proper operation of the device. This applies in particular to rechargeable batteries for which we nevertheless issue a guarantee period of 12 months. The guarantee is rendered null and void if any attempt is made to tamper with the device.
3. The guarantee is valid for a period of 3 years starting from the purchase date of the device. Guarantee claims should be submitted before the end of the guarantee period within two weeks of the defect being noticed. No guarantee claims will be accepted after the end of the guarantee period. The original guarantee period remains applicable to the device even if repairs are carried out or parts are replaced. In such cases, the work performed or parts fitted will not result in an extension of the guarantee period, and no new guarantee will become active for the work performed or parts fitted. This also applies when an on-site service is used.
4. In order to assert your guarantee claim, please send your defective device postage-free to the address shown below. Please enclose either the original or a copy of your sales receipt or another dated proof of purchase. Please keep your sales receipt in a safe place, as it is your proof of purchase. It would help us if you could describe the nature of the problem in as much detail as possible. If the defect is covered by our guarantee then your device will either be repaired immediately and returned to you, or we will send you a new device.

Of course, we are also happy offer a chargeable repair service for any defects which are not covered by the scope of this guarantee or for units which are no longer covered. To take advantage of this service, please send the device to our service address.

EINHELL Hellas A. E.

Lasithiou Str. 4

GR-14342 Nea Philadelphia

Tel. 0210 2776871, 0213 0069925 · Fax 0210 2776871

IAN 72317



Sadržaj

1. Uvod	24
2. Sigurnosne napomene	24
3. Opis uređaja i sadržaj isporuke	26
4. Namjenska uporaba	27
5. Tehnički podaci	28
6. Prije puštanja u pogon.....	28
7. Rukovanje	30
8. Održavanje i naručivanje rezervnih dijelova	32
9. Skladištenje i transport	33
10. Čišćenje	34
11. Zbrinjavanje u otpad i recikliranje.....	34
12. Uklanjanje grešaka.....	35
13. Izjava o usklađenosti.....	36
14. Jamstveni list	37

Kopiranje ili umnožavanje dokumentacije i popratnih materijala o proizvodu, čak i djelomično, dopušteno je samo uz izričito dopuštenje tvrtke iSC GmbH.

Zadržavamo pravo na tehničke izmjene



1. Uvod

Srdačne čestitke na kupnji Vašeg novog uređaja. Ovim ste se odlučili za kvalitetan proizvod. Upute za uporabu sastavni su dio ovog proizvoda. One sadrže važne napomene za sigurnost, korištenje i zbrinjavanje. Prije uporabe proizvoda upoznajte se sa svim napomenama za sigurnost i rukovanje. Koristite proizvod samo na opisan način i navedene radove. Kod prosljeđivanja proizvoda trećem predajte mu svu dokumentaciju.

2. Sigurnosne napomene

⚠ Upozorenje!

Pročitajte sve sigurnosne napomene i upute. Propusti kod pridržavanja sigurnosnih napomena i uputa mogu uzrokovati električni udar, požar i/ili teške povrede. **Sačuvajte sve sigurnosne napomene i upute za ubuduće.**

Sigurnosne naprave

Da bi se spriječilo izbacivanje predmeta, kod rada s uređajem mora biti montiran odgovarajući zaštitni plastični poklopac za nož ili nit. Nož integriran u poklopac za zaštitu niti za rezanje automatski odrezuje nit na optimalnu dužinu.

Tumačenje pločica s upozorenjima na uređaju (sl. 14):

1. Upozorenje!
2. Prije puštanja u rad pročitajte upute za uporabu!
3. Nosite zaštitu za oči/glavu i sluh!
4. Nosite čvrstu obuću!
5. Nosite zaštitne rukavice!
6. Zaštitite uređaj od kiše i vlage!
7. Pazite na dijelove koji se izbacuju!
8. Prije održavanja isključite uređaj i izvucite utikač svjećice!
9. Razmak između uređaja i osoba u blizini mora iznositi najmanje 15 m!
10. Alat za rezanje (nož/nit za rezanje) nakon isključivanja još malo radi!
11. Pozor, vrući dijelovi. Održavajte razmak!
12. Svaki 20 sati rada podmažite s malo masti (tekuća mast za prijenosnik)!

Sigurnosne napomene

- Pažljivo pročitajte upute za uporabu. Upoznajte se s podešavanjem i pravilnom uporabom stroja.
- Nikad ne dopuštajte osobama koje nisu upoznate s uputama za uporabu da koriste uređaj. Lokalne odredbe mogu ograničiti najmanju starosnu dob korisnika.
- Nikad ne kosite dok su u blizini druge osobe, posebno djeca i životinje.

Upozorenje:

Držite sigurnosni razmak od 15 m. Kod približavanja odmah isključite uređaj. Uzmite u obzir da je korisnik odgovoran za nesreće s drugim osobama ili njihovim vlasništvom.

- Pozor: Opasnost od trovanja. Ispušni plinovi, goriva i maziva su otrovni. Ne udišite ispušne plinove.

Prije uporabe

- Tijekom košnje uvijek nosite čvrstu obuću i duge hlače. Nemojte kositi bosonogi ili u laganim sandalama.
- Provjerite teren na kojem ćete stroj koristiti i uklonite sve predmete koji bi mogli biti zahvaćeni ili odbačeni.
- Upozorenje: Benzin ja jako zapaljiv:
 - Čuvajte benzin u samo za to predviđenim spremnicima.
 - Točite ga samo na otvorenom i ne pušite tijekom točenja.
 - Prije paljenja motora ulijte benzin. Dok motor radi ili je uređaj vruć, ne smijete otvarati poklopac tanka za gorivo ili dolijevati benzin.
 - Ako prolijete benzin, ne pokušavajte pokretati motor. Umjesto toga obrišite površinu uređaja natopljenu benzinom. Svaki pokušaj paljenja je zabranjen sve dok benzinske pare ne nestanu.
 - Iz sigurnosnih razloga zamijenite tank i poklopce za benzin ako su oštećeni.
- Zamijenite neispravan prigušnik buke.
- Prije uporabe vizualnom kontrolom morate provjeriti jesu li alati za rezanje, pričvrtni svornjaci i cijela jedinica za rezanje istrošeni ili oštećeni. Da biste spriječili neuravnoteženost, istrošene ili oštećene alate za rezanje kao i pričvrstne svornjake morate

zamijeniti u kompletima.

Rukovanje

(Upravljanje, čuvanje, kontrola)

- Nosite prikladnu radnu odjeću koja pruža zaštitu, kao što su duge hlače, sigurne radne cipele, čvrste radne rukavice, zaštitni šljem, zaštitnu masku za lice ili zaštitne naočale i dobru vatu za uši ili sličnu zaštitu sluha od buke.
- Čuvajte uređaj na sigurnom mjestu. Polako otvarajte benzinski tank da biste ispustili eventualni tlak koji se stvorio u tanku. Da biste izbjegli opasnost od požara, udaljite se barem 3 metra od mjesta punjenja benzina prije nego što ćete upaliti uređaj.
- Prije nego što ćete odložiti uređaj, isključite ga.
- Uvijek držite uređaj čvrsto s obje ruke. Pritom trebaju palčevi i prsti obuhvatiti ručke.
- Provjerite jesu li svi vijci i spojni elementi čvrsto pritegnuti. Nikad ne rukujte uređajem ako nije pravilno podešen, nepotpuno ili sigurno sastavljen.
- Pripazite na to da ručke budu suhe i čiste i da nisu zaprljane benzinskom mješavinom.
- Vodite kalem s niti na željenoj visini. Izbjegavajte kontakt kalema s niti i malih predmeta (npr. kamenje).
- Kod košnje na padini uvijek stojte ispod rezaćeg alata. Nikad ne kosite niti ne režite travu na glatkoj, skliskoj padini ili brežuljku.
- Kad palite motor ili dok on radi, svaki dio tijela ili odjeće držite podalje od kalema s niti. Prije nego što ćete pokrenuti motor, provjerite da kalem s niti nije u kontaktu s nekom preprekom.
- Prije zahvata na rezaćem alatu uvijek najprije isključite motor.
- Sigurno skladištite uređaj i pribor zaštićen od otvorene vatre i izvora visoke temperature/iskrenja kao što je npr. protočni plinski bojler, sušilica rublja, peć na loživo ulje ili prenosivi radijatori itd.
- Zaštitni poklopac, kalem s niti i motor uvijek očistite prije skladištenja od ostataka pokošene trave.
- Samo dovoljno školovano osoblje i odrasle

osobe smiju rukovati uređajem, podešavati ga i održavati.

- Ako se još niste dovoljno upoznali s uređajem, vježbajte rukovanje s neupaljenim motorom.
- Prije radova provjerite teren koji ćete kositi, jer čvrsti predmeti kao metalni dijelovi, boce, kamenje i slično mogu biti odbaceni i uzrokovati ozbiljne ozljede korisnika kao i trajno oštetiti uređaj. Ako biste nepažnjom dotaknuli uređajem neki čvrsti predmet, odmah isključite motor i provjerite eventualna oštećenja uređaja. Nikad ne koristite uređaj, ako je on oštećen ili ima nedostatke.
- Šišanje i rezanje provodite uvijek u gornjem području broja okretaja. Na početku košnje ili tijekom šišanja ne ostavljajte motor raditi u nižem području broja okretaja.
- Koristite uređaj samo u predviđene svrhe, kao što je košnja trave i korova.
- Nikad ne držite kalem s niti iznad visine koljena dok je uređaj u pogonu.
- Ne koristite uređaj ako se u neposrednoj blizini nalaze druge osobe ili životinje. Za vrijeme košnje održavajte razmak od drugih osoba ili životinja barem 15 metara. Kod otkosa do tla molimo da održavate razmak od najmanje 30 m.

Dodatne napomene

- Ne koristite drugačije gorivo od navedenog u ovim uputama za uporabu. Uvijek slijedite napomene navedene u odlomku „Gorivo i ulje“ ovih uputa za uporabu. Ne koristite benzin koji se ne smije miješati s 2-taktnim motornim uljem. Inače postoji opasnost o trajnog oštećenja motora, pri čemu prestaje jamstvo proizvođača.
- Ne pušite kad nadolijevate gorivo u tank ili palite motor.
- Ne palite uređaj bez ispušne cijevi.
- Ne dodirujte ispušnu cijev rukama ni tijekom. Uređaj držite tako da palčevi i prsti obuhvaćaju ručke.
- Ne radite uređajem u neudobnom položaju, bez održavanje ravnoteže, ispruženim rukama ili upravljajući samo jednom rukom. Kod upravljanja uvijek koristite obje ruke



- obuhvaćajući pritom ručke palčevima i prstima.
- Dok je uređaj u pogonu, uvijek držite kalem s niti na tlu.
 - Uređaj koristite samo za predviđenu namjenu, kao što je šišanje i košnja trave.
 - Ne koristite uređaj dugo vremena, redovito napravite stanke.
 - Ne radite s uređajem pod utjecajem alkohola ili droga.
 - Uređaj koristite samo ako je on u dobrom stanju i kad je instaliran odgovarajući zaštitni poklopac.
 - Sve promjene na proizvodu mogu ugroziti osobnu sigurnost i utjecati na gubitak jamstva.
 - Nikad ne koristite uređaj u blizini lako zapaljivih tekućina ili plinova, bez obzira nalaze li se u zatvorenim prostorijama ili na otvorenom. Posljedice mogu biti eksplozija i/ili požar.
 - Ne koristite drugačije rezaće alate. Za Vašu vlastitu sigurnost koristite samo pribor i dodatne uređaje koji su navedeni u uputama za uporabu ili ih je preporučio i naveo proizvođač alata. Korištenje drugačijeg alata ili pribora od onog koji se preporuča u uputama za uporabu može za vas predstavljati opasnost od ozljeđivanja.

Sigurnosne mjere kod rukovanja s rezaćim noževima

- Pridržavajte se svih upozorenja i napomena za rad s nožem i njegovu montažu.
 - Rezaći nož može biti povratno izbačen kod kontakta s nekim predmetom ako ga ne može prerezati. To može dovesti do ozljeđanja ruku ili nogu. Osobe ili životinje koje se nalaze u blizini držite na najmanjem razmaku od 15 m u svim smjerovima od radnog mjesta. Ako uređaj naiđe na strana tijela, odmah isključite motor i pričekajte da se rezaći nož zaustavi. Provjerite ima li na oštirci oštećenja. Uvijek zamijenite rezaći nož kad je on deformiran ili napuknut.
 - Rezaći nož često izbacuje predmete u stranu. To može izazvati oštećenje vida ili druge ozljede. Nosite zaštitu za oči, lice i noge. Prije nego što počnete koristiti nož, uvijek uklonite predmete iz radnog područja.
- Prije korištenja pažljivo provjerite Vaš uređaj i njegove dijelove na oštećenja. Ne koristite uređaj ako svi dijelovi rezaćeg noža nisu pravilno instalirani.
 - Rezaći nož se zaustavlja kad pustite polugu gasa. Rezaći nož koji se zaustavlja može Vama ili osobama u blizini izazvati porezotine. Prije nego što ćete na nožu poduzeti bilo kakve radnje, isključite motor i provjerite je li se rezaći nož umirio.
 - Zona opasnosti je u promjeru od 15 metara. Osobe u blizini mogu zadobiti oštećenje vida ili druge ozljede. U svim smjerovima održavajte razmak od 15 metara između sebe i drugih osoba ili životinja.

3. Opis uređaja i sadržaj isporuke

3.1 Opis uređaja (slika 1-13)

1. Spojni komad prečke za vođenje
2. Prečka za vođenje
3. Ručka za vođenje stroja
4. Uže/sajla za pokretanje
5. Poluga čoka
6. Tank za benzin
7. Pumpa za gorivo „Primer“
8. Poklopac kućišta filtra za zrak
9. Sklopka za uključivanje/isključivanje
10. Aretacija poluge gasa
11. Poluga gasa
12. Blokada poluge gasa
13. Kalem s niti za rezanje
14. Zaštitni poklopac niti za rezanje
15. Zaštitni poklopac noža
16. 4x vijak M5
17. Remen za nošenje
- 18a. Rezaći nož (4 zuba)
- 18b. Rezaći nož (3 zuba)
19. Držac ručke za vođenje
20. Zvezdasti vijak M8
21. Podložna pločica Ø 8 mm
22. Disk zahvatnika
23. Pritisna ploča
24. Poklopac pritisne ploče
25. Matica M10 (lijevi navoj)
26. Boca za miješanje ulja/benzina

27. Ključ za svjećicu
28. Viljuškasti ključ 8/10 mm
29. Šesterokutni ključ 4 mm
30. Šesterokutni ključ 5 mm
31. Zaštitna kapa utikača svjećice
32. Zvezdasti vijak M6
33. Matica M6
34. Podložna pločica Ø 6 mm
35. Filtar za zrak
36. Utikač svjećice

Rezaći nož (18a/18b) i kalem s niti (13) u tekstu se također spominju kao rezaći alat (kao zajednički pojam).

3.2 Sadržaj isporuke

- Otvorite pakovinu i pažljivo izvadite uređaj.
- Uklonite ambalažu kao i dijelove za sigurnost pakiranja / za sigurnost tijekom transporta (ako postoje).
- Provjerite je li sadržaj isporuke cjelovit.
- Prekontrolirajte postoje li na uređaju i dijelovima pribora transportna oštećenja.
- Po mogućnosti sačuvajte pakovinu do isteka jamstvenog roka.

Pozor!

Uređaj i materijal pakovine nisu igračke za djecu! Djeca se ne smiju igrati plastičnim vrećicama, folijama i sitnim dijelovima! Postoji opasnost da ih progutaju i tako se uguše!

4. Namjenska uporaba

Ovaj uređaj (korištenje rezaćeg noža) je prikladan za rezanje visoke trave i rijetkog raslinja nožem s 4 zuba i za gusto raslinje i rijetku šikaru nožem s 3 zuba. Ovaj uređaj (korištenje kalema s niti) prikladan je za rezanje travnjaka i sitnog korova. Pretpostavka za pravilnu uporabu uređaja je pridržavanje priloženih proizvođačevih uputa za rukovanje. Svaka drugačija uporaba koja nije izričito dopuštena u ovim uputama, može dovesti do oštećenja uređaja i predstavljati ozbiljnu opasnost za rukovatelja uređajem. Obavezno obratite pozornost na ograničenja u sigurnosnim napomenama.

Molimo da obratite pozornost na to da naši uređaji nisu pogodni za korištenje u komercijalne, obrtničke ili industrijske svrhe. Ne preuzimamo jamstvo ako se uređaj koristi u komercijalne i industrijske svrhe kao i u sličnim djelatnostima.

Pozor! Zbog postojanja fizičke opasnosti za rukovatelja ovaj uređaj se ne smije koristiti za sljedeće radove: za čišćenje staza i kao sjeckalica za usitnjavanje odsječenih grana drveća ili živice. Nadalje, ovaj uređaj se ne smije koristiti za izravnavanje povišenog tla, kao što su npr. krtičnjaci. Zbog sigurnosnih razloga ovaj uređaj se ne smije upotrebljavati kao sredstvo za pogonjenje drugih uređaja bilo kakve vrste.

Uređaj se smije koristiti samo namjenski. Svaka drugačija uporaba nije namjenska. Za štete ili ozljede svih vrsta nastale zbog nenamjenskog korištenja odgovoran je korisnik/rukovatelj a nikako proizvođač.

5. Tehnički podaci

Tip motora	2-taktni motor, hlađen zrakom, kromirani cilindar
Snaga motora (maks.)	1,35 kW/1,8 PS
Zapremnina	42,7 ccm
Broj okretaja motora u praznom hodu	3000 min ⁻¹
Maks. broj okretaja motora s nožem:	9000 min ⁻¹
s kalemom niti:	8400 min ⁻¹
Maks. brzina rezanja s nožem:	6800 min ⁻¹
s kalemom niti:	6300 min ⁻¹
Paljenje	elektroničko
Pogon	centrifugalno kvačilo
Težina (prazni tank)	7,5 kg
Krug rezanja niti Ø	41 cm
Krug rezanja noža Ø	23 cm
Dužina niti	8,0 m
Promjer niti Ø	2,0 mm
Sadržaj tanka	0,8 l
Svječića	Champion RCJ6Y
Potrošnja goriva kod maksimalne snage motora	0,6 kg/h
Specifična potrošnja goriva kod maksimalne snage motora	446 g/kWh

Buka i vibracije

Razina zvučnog tlaka L_{pA}	98 dB (A)
Nesigurnost K_{pA}	1,5 dB
Intenzitet buke L_{WA}	110 dB (A)
Nesigurnost K_{WA}	1,5 dB

Nosite zaštitu za sluh.

Buka može utjecati na gubitak sluha.

Pogon

Vrijednost emisije vibracija $a_h = 4,1 \text{ m/s}^2$
Nesigurnost $K = 1,5 \text{ m/s}^2$

Ograničite stvaranje buke i vibracija na minimum!

- Koristite samo besprijekorne uređaje.
- Redovito čistite i održavajte uređaj.
- Svoj način rada prilagodite uređaju.
- Nemojte preopterećivati uređaj.
- Po potrebi predajte uređaj na kontrolu.
- Isključite uređaj kad ga ne koristite.
- Nosite zaštitne rukavice.

6. Prije puštanja u pogon

6.1 Montaža

6.1.1 Montaža ručke za vođenje (sl. 3a-3c)

Montirajte ručku za vođenje (3) kao što je prikazano na slikama 3a-3c. Vijak (20) pritegnite tek kad podesite optimalni radni položaj s remenom za nošenje (17) (također vidi odlomak 6.2). Ručka za vođenje trebala bi se centrirati kao što je prikazano na slici 1. Demontaža se obavlja obrnutim redoslijedom.

6.1.2 Montaža prečke za vođenje (sl. 4a-4c)

Provucite zvjezdasti vijak (32) kroz podložnu pločicu (34) u spojni komad prečke za vođenje (1). Labavo pritegnite zvjezdasti vijak s maticom (33). Sad pritisnite polugu za aretaciju (A) i pažljivo gurnite prečku za vođenje (sl. 4a/poz. 2) u njezin spojni komad. Pritom pazite na to da pogonske osovine u unutrašnjosti prečke za vođenje klize jedna u drugoj, u suprotnom malo okrenite kalem s niti (13)/rezaći nož (18a/18b). Kukica poluge za aretaciju (A) mora usjesti u rupu (B). Sad pritegnite zvjezdasti vijak kao što je prikazano na slici 4c. Za demontažu treba samo olabaviti zvjezdasti vijak i pokrenuti polugu za aretaciju.

6.1.3 Montaža zaštitnog poklopca rezaćeg noža

Pozor: Prilikom radova s nožem mora biti montiran njegov zaštitni poklopac (15). Zaštitni poklopac noža montirajte kao što je prikazano na slikama 5a-5b.

6.1.4 Montaža/zamjena noža

Montažu noža (18a/18b) možete vidjeti na slikama 6a-6g. Demontaža se izvodi obrnutim redoslijedom.

- Natakните disk zahvatnika (22) na zupčastu osovinu, kao što je prikazano na slici 6b.
- Aretirajte rezaći nož (18a/18b) na disku zahvatnika (sl. 6c).
- Utakните potisnu ploču (23) preko navoja zupčaste osovine (sl. 6d)
- Natakните poklopac potisne ploče (24) (sl. 6e)
- Nađite provrt na disku zahvatnika i postavite ga tako da se poklopi s utorom ispod njega pa ga aretirajte s isporučenim šesterokutnim ključem (29) da biste pritegnuli maticu (25) ključem za svjećicu (27) (sl. 6f/6g). Pozor: Lijevi navoj!
- Rezaći noževi (18a/18b) zaštićeni su kod isporuke plastičnim kapama. Prije uporabe ih uklonite i nakon toga opet stavite.

6.1.5 Montaža zaštitnog poklopca rezaće niti na zaštitni poklopac rezaćeg noža

Pozor: Kod radova s niti za rezanje dodatno se mora montirati zaštitni poklopac niti (14).

Zaštitni poklopac rezaće niti montirajte kao što je prikazano na slikama 7a-7b. Pazite na to da zaštitni poklopac rezaće niti pravilno dosjedne. Na donjoj strani zaštitnog poklopca nalazi se nož (sl. 7a/poz. F) za automatsku regulaciju dužine niti. On je prekriven štitnikom (sl. 7a/poz. G). Uklonite zaštitu prije početka rada i nakon završetka je ponovno stavite.

6.1.6 Montaža/zamjena kalema s niti

Montažu kalema s niti (13) pogledajte na slici 7c. Demontaža se obavlja obrnutim redoslijedom. Kalem s niti je kod isporuke već montiran.

Nađite provrt na disku zahvatnika (22) i postavite ga tako da se poklopi s utorom ispod njega i aretirajte ga s isporučenim šesterokutnim ključem (29) da biste zatim navrnuli kalem s niti na navoj. Pozor: Lijevi navoj!

6.2 Podešavanje visine rezanja

- Stavite remen za nošenje (17) kao što je prikazano na slici 8a-8c.
- Zakvačite uređaj na remen za nošenje (sl. 8d).
- Različitim položajima kopče na remenu podešite optimalni radni položaj kao i položaj za rezanje (sl. 8e).
- Da bi se utvrdila optimalna dužina remena, zamahnite nekoliko puta uređajem a da ne pokrenete motor (sl. 9a).

Remen za nošenje ima mehanizam za brzo otvaranje. Ako biste brzo trebali odložiti uređaj, povucite crveni dio na remenu (sl. 8f).

Pozor: Koristite remen uvijek kad radite s uređajem. Stavite remen čim pokrenete motor i on radi u praznom hodu. Isključite motor prije nego skinete remen.

6.3 Gorivo i ulje

Preporučena goriva

Koristite samo mješavinu bezolovnog benzina i specijalnog ulja za 2-taktne motore.

Mješavinu goriva napravite prema tablici miješanja goriva.

Pozor: Ne koristite mješavinu goriva koja je stajala skladištena duže od 90 dana.

Pozor: Ne koristite 2-taktno ulje koje zahtijeva omjer mješavine 100:1. U slučaju oštećenja motora zbog nedovoljnog podmazivanja gubi se jamstvo proizvođača motora.

Pozor: Za transport i čuvanje goriva koristite za to predviđene i odobrene spremnike.

U priloženu bocu ulijte točnu količinu benzina i ulja za 2-taktne motore (vidi otisnutu skalnu). Zatim dobro protresite posudu.

6.4 Tablica miješanja goriva

Postupak miješanja: 40 dijelova benzina na 1 dio ulja

Benzín	Ulje za 2-taktni motor
1 litra	25 ml
5 litara	125 ml

7. Rukovanje

Obratite pažnju na zakonske odredbe o zaštiti od buke koje se mogu razlikovati, ovisno o zemlji korištenja.

Provjerite uređaj prije svake uporabe:

- Nepropusnost sustava s gorivom.
- Besprijekorno stanje i potpunost zaštitnih naprava i naprave za rezanje.
- Dobra učvršćenost svih vijčanih spojeva.
- Laka pokretljivost svih pokretnih dijelova.

7.1 Pokretanje kod hladnog motora

Napunite tank mješavinom benzina/ulja. Vidi također Gorivo i ulje.

1. Uređaj postavite na tvrdnu, ravnu površinu.
2. Pritisnite pumpu za gorivo (primer) (sl. 1/poz. 7) 10x.
3. Sklopku za uključivanje/isključivanje (sl. 1/poz. 9) stavite u položaj „I“.
4. Fiksirajte polugu gasa (sl. 1/poz. 11). Za to pritisnite blokadu poluge gasa (sl. 1/poz. 12) i zatim polugu gasa (sl. 1/poz. 11) i istovremenim pritiskom aretacije (sl. 1/poz. 10) fiksirajte polugu gasa.
5. Polugu čoka (sl. 1/poz. 5) stavite u položaj „0“.
6. Čvrsto držite uređaj i izvlačite užu za pokretanje (sl. 1/poz. 4) dok ne osjetite prvi otpor. Sad brzo povucite užu za pokretanje 4x. Uređaj bi se trebao pokrenuti.

Pozor: Uža za pokretanje nemojte pustiti da naglo skoči natrag. To može uzrokovati oštećenja.

Pozor: Kad je poluga za gas fiksirana i motor se pokrene, alat za rezanje počinje raditi.

Na kraju jednostavnim pritiskom deblokirajte polugu gasa. Istovremeno se s pritiskom poluge gasa deblokira poluga čoka. (Motor se vraća u prazni hod).

7. Ako se motor ne pokrene, ponovite korake od 4- 6.

Obratite pozornost: Ako se motor ne pokrene ni nakon više pokušaja, pročitajte odlomak "Uklanjanje smetnji".

Obratite pozornost: Sajlu za pokretanje povlačite uvijek pravocrtno. Ako je povlačite pod kutom, nastaje trenje na ušici. Zbog toga se uža tare i brže troši. Kad se uža ponovno uvlači, uvijek držite za ručku pokretača.

Uže nikada nemojte pustiti da iz izvučenog položaja skoči natrag.

7.2 Pokretanje kod toplog motora

(Uređaj miruje manje od 15-20 min)

1. Uređaj postavite na tvrdnu, ravnu površinu.
2. Sklopku za uključivanje/isključivanje (sl. 1/poz. 9) stavite u položaj „I“.
3. Fiksirajte polugu gasa (sl. 1/poz. 11) (analogno „Pokretanju kod hladnog motora“).
4. Čvrsto držite uređaj i izvlačite užu za pokretanje dok ne osjetite prvi otpor. Sad brzo povucite užu za pokretanje. Uređaj bi se trebao pokrenuti nakon 1-2 povlačenja. Ako se stroj nakon 6 povlačenja još uvijek ne pokrene, ponovite korake od 1-7 za „Pokretanje kod hladnog motora“.

7.3 Isključivanje motora

Koraci u slučaju nužde:

Ako je potrebno da odmah zaustavite uređaj, sklopku za uključivanje/isključivanje (9) postavite na „Stop“ odnosno „0“

Koraci u normalnom slučaju:

Pustite polugu gasa (11) i pričekajte da motor prijeđe u prazni hod. Zatim postavite sklopku za uključivanje/isključivanje (9) na „Stop“ odnosno „0“.

7.4 Napomene za rad

Prije nego ćete upotrijebiti uređaj, vježbajte tehnike rada s ugašenim motorom.

Upozorenje: Budite naročito pažljivi kod otkosa. Kod takvih radova održavajte razmak od 30 metara između sebe i drugih osoba ili životinja.



Produženje niti za rezanje

Upozorenje! Ne koristite za kalem metalnu žicu ili metalnu žicu omotanu plastikom bilo koje vrste. To može uzrokovati teške ozljede na rukovatelju. Za produženje niti za rezanje (13) pustite da motor radi punim gasom i lagano lupkajte kalemom za nit po tlu. Nit će se automatski produžiti. Nož na štitniku skraćuje nit na dopuštenu dužinu (sl. 9b).

Oprez: Redovito uklanjajte sve ostatke trave i korova kako biste izbjegli pregrijavanje uređaja. Ostaci trave/korova uhvate se ispod štitnika (sl. 9c), što sprječava dostatno hlađenje uređaja. Pažljivo uklonite ostatke pomoću odvijača ili sličnog alata.

Različiti postupci rezanja

Ako je uređaj pravilno montiran, rezat će korov i visoku travu na teško pristupačnim mjestima, kao što je npr. duž ograda, zidova i temelja kao i okolo drveća. Također se može koristiti za „otkos“ kako bi se uklonila vegetacija u svrhu bolje pripreme vrta ili čišćenja određenog područja tik uz tlo.

Obratite pozornost: Čak i kod pažljive primjene rezanje uz temelje, kamene ili betonske zidove itd. uzrokovat će povećano trošenje niti.

Šišanje/košnja (s niti/nožem)

Njišite uređaj s jedne na drugu stranu, kao da žanjete srpom. Rezaći alat uvijek mora biti paralelan s tlom. Provjerite teren i odredite željenu visinu rezanja. Vodite i držite rezaći alat na željenoj visini kako biste izvodili ravnomjerno rezanje (sl. 9d).

Nisko šišanje (s kalemom niti)

Držite uređaj pod laganim nagibom točno ispred sebe, tako da se donja strana kalema s niti nalazi iznad tla a nit dodiruje točno mjesto rezanja. Režite uvijek od sebe. Ne privlačite uređaj prema sebi.

Rezanje uz ogradu/temelj (s rezaćom niti)

Polako se približavajte ogradama od pletene žice, ogradama od letvi, zidovima od prirodnog kamena i temeljima kako biste odrezali travu što više, a da ne udarite s niti o prepreku. Ako nit dodirne kamenje, kameni zid ili temelj, istrošit će se ili će se razderati. Udari li nit o pletenu ogradu, puknut će.

Šišanje oko stabala (s rezaćom niti)

Kad režete oko drveća polako se približavajte da nit ne bi dodirnula koru stabla. Obilazite stablo i pazite da ga ne oštetite. Približite se travi ili korovu vrhom niti i nagnite kalem s niti malo prema naprijed.

Otkos (s rezaćom niti)

Kod otkosa zahvatite cjelokupnu vegetaciju do tla. Za to nagnite kalem s niti pod 30 stupnjeva udesno. Postavite ručku u željeni položaj (sl. 9e). Pozor! Povećana opasnost od povrede korisnika, promatrača i životinja kao i opasnost od materijalnih šteta zbog izbačenih predmeta (npr. kamenje).

Pozor! Ne uklanjajte uređajem predmete sa staza itd.! Kosilica s benzinskim motorom je snažni alat i malo kamenje ili ostali predmeti mogu biti izbačeni 15 metara i više i uzrokovati ozljede ili oštećenja automobila, kuća i prozora.

Piljenje

Uređaj nije namijenjen piljenju.

Uklještenje

Ako bi se rezaći alat zbog guste vegetacije blokirao, obavezno zaustavite motor. Prije nego ga ponovno stavite u pogon, oslobodite uređaj od trave i korova.

Izbjegavanje povratnog udarca

Kod radova s rezaćim nožem postoji opasnost od povratnog udarca, ako on naiđe na čvrste prepreke (stablo, grana, panj, kamen ili slično). Uređaj će se pritom trznuti suprotno od smjera vrtnje rezaćeg alata. To može dovesti do gubitka kontrole nad uređajem. Ne koristite rezaći nož u

blizini ograda, metalnih stupova, graničnih kame-
na ili temelja.

Za rezanje rijetkog pruća postavite uređaj na
način prikazan na sl. 9f kako bi se izbjegli pov-
ratni udarci.

8. Održavanje i naručivanje rezernih dijelova

Prije radova održavanja uvijek isključite uređaj i
izvucite utikač svjeće (36).

8.1 Zamjena kalema s niti/niti za rezanje

1. Demontirajte kalem s niti (13) kao što je opi-
sano u odlomku 6.1.6. Stisnite kalem (sl. 12a)
i skinite polovicu kućišta (sl. 12b).
2. Izvadite tanjur kalema (K) iz njegovog kućišta
(sl. 12c).
3. Uklonite eventualno preostalu rezaću nit.
4. Položite nove rezaće niti u sredinu i nastale
petlje zakvačite u šupljinu tanjura kalema. (sl.
12d)
5. Namotajte nit uz napetost suprotno od smjera
kazaljke na satu. Tanjur kalema pritom razd-
vaja obje polovice rezać niti. (sl. 12e)
6. Posljednjih 15 cm oba završetka niti zakvačite
u držač niti na suprotnoj strani tanjura. (sl. 12f)
7. Oba završetka niti provedite kroz metalne
ušice u kućištu kalema s niti (sl. 12c).
8. Pritisnite tanjur kalema u njegovo kućište (sl.
12b).
9. Nakratko snažno povucite oba kraja niti da bi
ih oslobodili iz njihovih držača na kalem.
10. Ponovno spojite obje polovice kućišta.
11. Višak niti odrežite na oko 13 cm. To smanjuje
opterećenje motora tijekom njegovog pokre-
tanja i zagrijavanja.
12. Ponovno montirajte kalem s niti (vidi odlomak
6.1.6). Ako mijenjate kompletan kalem s niti,
preskočite točke 3-6.

8.2 Održavanje filtra za zrak

Zaprljani filtri za zrak smanjuju snagu motora
zbog premalog dovoda zraka do rasplinjača.
Zbog toga je neophodna redovita kontrola. Filter
za zrak (35) potrebno je kontrolirati svakih 25 sati
i po potrebi ga očistiti. Kod vrlo prašnjavog zraka
filter treba češće provjeriti.

1. Uklonite poklopac s kućišta filtra za zrak (sl.
10a/poz. 8)
2. Skinite filter za zrak (sl. 10b/10c)
3. Očistite filter lupkanjem ili tako da ga ispušete
(komprimiranim zrakom).
4. Montaža slijedi obrnutim redoslijedom.

Pozor: Filter za zrak nikad nemojte čistiti benzi-
nom ili zapaljivim otapalima.

8.3 Održavanje svjeće

Razmak između elektroda = 0,6 mm (razmak
između elektroda, između kojih se stvara iskra).
Pritegnite svjećicu ključem s okretnim momentom
od 12 do 15 Nm (nabaviti ga u specijaliziranoj
trgovini). Prvi put provjerite zaprljanost svjeće
nakon 10 sati rada i po potrebi je očistite pomoću
četke od bakrene žice.

Nakon toga održavajte svjećicu svakih 50 radnih
sati.

1. Demontirajte zaštitnu kapu (sl. 10c/poz. 31)
pomoću odvijača.
2. Izvucite utikač svjeće (sl. 11a/poz. 36).
3. Priloženim ključem (27) odvrnite svjećicu (sl.
11b).
4. Montaža slijedi obrnutim redoslijedom.

8.4 Brušenje noža sa zaštitnim poklopcem

Nož a zaštitnim poklopcem (sl. 7a/poz. F) posta-
je s vremenom tup. Ako to primijetite, otpustite 2
vijka kojim je nož pričvršćen na zaštitni poklopac.
Učvrstite nož u škripac. Brusite nož turpijom i pri-
pazite na to da održite kut oštice. Turpijajte samo
u jednom smjeru.

8.5 Podešavanje rasplinjača

Pozor: Podešavanje rasplinjača smije obavljati
samo ovlaštena servisna radionica.

Za sve radove na rasplinjaču najprije se mora de-
montirati poklopac na kućištu filtra za zrak kao što
je prikazano na slici 10a i 10b.

Podešavanje gas sajle:

Ako se s vremenom ne može više postići maksimalni broj okretaja uređaja i isključeni su svi razlozi nabrojani u odlomku „Uklanjanje kvarova“, potrebno je podesiti gas sajlu.

Zato najprije provjerite je li rasplinjač otvoren kod punog gasa na poluzi. To je slučaj kad je zasun rasplinjača (sl. 13a/poz. F) kod punog gasa otvoren do kraja.

Slika 13a prikazuje pravilnu podešenost.

Ako zasun rasplinjača nije potpuno otvoren, potrebna je korekcija.

Da bi se gas sajla podesila, potrebni su sljedeći koraci.

- Otpustite kontramaticu (sl. 13b/poz. C) za nekoliko okreta.
- Odvrćite vijak za podešavanje (sl. 13b/poz. D) sve dok se zasun rasplinjača kod punog gasa ne otvori do kraja, kao što je prikazano na slici 13a.
- Ponovno pritegnite kontramaticu.

Podešavanje gasa praznog hoda:

Pozor! Gas praznog hoda podešavajte u toplom stanju motora.

Ako bi se uređaj ugasio bez dodavanja gasa a isključeni su svi razlozi navedeni u odlomku „Uklanjanje kvarova“, potrebno je podesiti gas u praznom hodu. Za to uvrćite vijak za podešavanje gasa praznog hoda (sl. 13b/poz. E) u smjeru kazaljke na satu sve dok uređaj ne počne sigurno raditi u praznom hodu. Ako bi gas praznog hoda bio prejak tako da se rezaći alat počne okretati, morate ga smanjiti okretanjem vijka za podešavanje praznog hoda ulijevo toliko da se rezaći alat više ne okreće.

8.6 Podmazivanje prijenosnika

Svaki 20 sati rada podmažite s malo tekuće masti za prijenosnik (oko 10 g). Za to otvorite vijak H (sl. 7c).

8.7 Zaštita okoliša

Zaprljan materijal za održavanje i pogonske materijale opremite na za to predviđeno sabiralište. Ambalažu, metal i plastiku otpremite na mjesto za reciklažu.

8.8 Naručivanje rezervnih dijelova

Kod naručivanja rezervnih dijelova trebali biste navesti sljedeće podatke:

- Tip uređaja
- Broj artikla uređaja
- Identifikacijski broj uređaja

Aktualne cijene nalaze se na web stranici www.isc-gmbh.info

9. Skladištenje i transport

9.1 Skladištenje

Opres: Ne odlažite uređaj na vrijeme duže od 30 dana, bez da ste proveli sljedeće radnje.

Spremanje uređaja

Ako biste uređaj spremili na dulje od 30 dana, on se za to mora pripremiti. U protivnom bi se ishlapilo preostalo gorivo u rasplinjaču i ostavilo smolasti talog.

To bi moglo otežati pokretanje i kao posljedicu imati skupe popravke.

1. Polako otvorite poklopac tanka za gorivo i ispustite eventualni tlak u tanku. Pažljivo ispraznite tank (6).
2. Pokrenite motor i pustite ga da radi sve dok se ne zaustavi kako bi se uklonilo gorivo iz rasplinjača.
3. Ostavite motor da se ohladi (oko 5 minuta).
4. Izvadite svjećicu (vidi 8.3)
5. Ulijte 1 čajnu žličicu čistog 2-taktnog ulja u komoru za sagorijevanje. Više puta povucite užu za start da bi se nauljile unutrašnje komponente. Ponovno umetnite svjećicu.

Napomena: Spremite uređaj na suho mjesto na većoj udaljenosti od mogućih izvora zapaljenja, npr. peći, plinskog bojlera, plinskog sušila, itd.



Ponovno puštanje u rad

1. Izvadite svjećicu (vidi 8.3)
2. Naglo povucite užu za start da bi se uklonilo preostalo ulje iz komore za sagorijevanje.
3. Očistite svjećicu i provjerite pravilnost razmaka elektroda na svjećici ili stavite novu svjećicu s ispravnim razmakom elektroda.
4. Pripremite uređaj za pogon.
5. Napunite tank s pravilnom mješavinom goriva/ulja. Vidi odlomak „Gorivo i ulje“.

9.2 Transport

Kad želite transportirati uređaj, ispraznite tank s benzinom kao što je objašnjeno u poglavlju „Skladištenje“. Očistite uređaj četkom ili metlicom od grubih nečistoća. Demontirajte ručku i prečku za vođenje kao što je protumačeno u odlomku 6.1.1 i 6.1.2 .

10. Čišćenje

Prije radova čišćenja uvijek isključite uređaj i izvucite utikač svjećice.

- Nakon svake uporabe uređaj treba temeljito očistiti. Posebice rezaći alat i zaštitne poklopce.
- Prolaze za zrak i kućište motora treba uvijek očistiti od prašine i nečistoća. Istrljajte uređaj čistom krpom ili ga ispušite komprimiranim zrakom pod niskim tlakom.
- Prljavštinu i travu najlakše ćete ukloniti odmah nakon rezanja trave.
- Redovito čistite uređaj mokrom krpom i s malo kalijevog sapuna. Ne koristite otapala ili sredstva za čišćenje; ona bi mogli oštetiti plastične dijelove uređaja. Pripazite na to da u unutrašnjost uređaja ne dospije voda.

11. Zbrinjavanje u otpad i recikliranje

Uređaj je zapakiran kako bi se tijekom transporta spriječila oštećenja. Ova pakovina je sirovina i može se ponovno upotrijebiti ili predati na reciklažu. Uređaj i njegov pribor sastavljeni su od raznih materijala, kao npr. metal i plastika. Neispravne sklopove odložite u specijalni otpad. Raspitajte se u specijaliziranoj trgovini ili općinskoj upravi!

12. Uklanjanje grešaka

Smetnja	Mogući uzroci	Uklanjanje kvara
Uređaj se ne pokreće.	<ul style="list-style-type: none"> - Pogrešan postupak kod pokretanja. - Čađava ili vlažna svjećica - Pogrešno podešen rasplinjač 	<ul style="list-style-type: none"> - Slijedite upute u vezi pokretanja. - Očistite svjećicu ili je zamijenite novom. - Potražite pomoć ovlaštene servisne službe ili pošaljite uređaj tvrtki ISC-GmbH.
Uređaj se pokreće, ali ne s punom snagom.	<ul style="list-style-type: none"> - Pogrešna podešenost poluge čoka (5) - Zaprljan filtar za zrak (35) - Pogrešno podešen rasplinjač 	<ul style="list-style-type: none"> - Polugu čoka stavite u položaj „↓“. - Očistite filtar za zrak - Potražite pomoć ovlaštene servisne službe ili pošaljite uređaj tvrtki ISC-GmbH.
Motor radi nepravilno	<ul style="list-style-type: none"> - Pogrešan razmak elektroda svjećice - Pogrešno podešen rasplinjač 	<ul style="list-style-type: none"> - Očistite svjećicu i podesite razmak elektroda ili stavite novu svjećicu. - Potražite pomoć ovlaštene servisne službe ili pošaljite uređaj tvrtki ISC-GmbH.
Motor prekomjerno dimi	<ul style="list-style-type: none"> - Pogrešna mješavina goriva - Pogrešno podešen rasplinjač 	<ul style="list-style-type: none"> - Upotrijebite točnu mješavinu goriva (vidi tablicu mješavine goriva) - Potražite pomoć ovlaštene servisne službe ili pošaljite uređaj tvrtki ISC-GmbH.

13. Izjava o usklađenosti

Einhell Germany AG · Wiesenweg 22 · D-94405 Landau/Isar



Konformitätserklärung

D erklärt folgende Konformität gemäß EU-Richtlinie und Normen für Artikel
GB explains the following conformity according to EU directives and norms for the following product
F déclare la conformité suivante selon la directive CE et les normes concernant l'article
I dichiara la seguente conformità secondo la direttiva UE e le norme per l'articolo
NL verklaart de volgende overeenstemming conform EU richtlijn en normen voor het product
E declara la siguiente conformidad a tenor de la directiva y normas de la UE para el artículo
P declara a seguinte conformidade, de acordo com a directiva CE e normas para o artigo
DK attesterer følgende overensstemmelse i medfør af EU-direktiv samt standarder for artikel
S förklarar följande överensstämmelse enl. EU-direktiv och standarder för artikeln
FIN vakuuttaa, että tuote täyttää EU-direktiivin ja standardien vaatimukset
EE tõendab toote vastavust EL direktiivile ja standarditele
CZ vydává následující prohlášení o shodě podle směrnice EU a norem pro výrobek
SLO potrjuje sledečo skladnost s smernico EU in standardi za izdelek
SK vydáva nasledujúce prehlásenie o zhode podľa smernice EU a noriem pre výrobok
H a cikkekhez az EU-irányvonal és Normák szerint a következő konformitást jelenti ki

PL deklaruje zgodność wymienionego poniżej artykułu z następującymi normami na podstawie dyrektywy WE.
BG декларира съответното съответствие съгласно Директива на ЕС и норми за артикул
LV paskaidro šādu atbilstību ES direktīvai un standartiem
LT apibūdina šį atitikimą EU reikalavimams ir prekės normoms
RO declară următoarea conformitate conform directivei UE și normelor pentru articolul
GR δηλώνει την ακόλουθη συμμόρφωση σύμφωνα με την Οδηγία ΕΚ και τα πρότυπα για το προϊόν
HR potvrđuje sljedeću usklađenost prema smjernicama EU i normama za artikl
ISzjava o sukladnosti za ovaj proizvod dostupna je na internet stranici www.lidl.hr.
BIH potvrđuje sljedeću usklađenost prema smjernicama EU i normama za artikl
RS potvrđuje sledeću usklađenost prema smernicama EZ i normama za artikal
RUS следующим удостоверяется, что следующие продукты соответствуют директивам и нормам ЕС
UKR проголошує про зазначену нижче відповідність виробу директивам та стандартам ЄС на виріб
MK ja izjavuва slednata soobrznost согласно EU-директивата и нормите за артикли
TR Ürünü ile ilgili AB direktifleri ve normlan gereğince aşağıda açıklanan uygunluğu belirtir
N erklærer følgende samsvar i henhold til EU-direktivet og standarder for artikkel
IS Lýsir uppfyllingu EU-reglna og annarra staðla vöru

Benzin-Sense FBS 43 A1 (Florabest)

- | | |
|---|---|
| <input type="checkbox"/> 87/404/EC_2009/105/EC | <input checked="" type="checkbox"/> 2006/42/EC |
| <input type="checkbox"/> 2005/32/EC_2009/125/EC | <input type="checkbox"/> Annex IV
Notified Body:
Notified Body No.:
Reg. No.: |
| <input type="checkbox"/> 2006/95/EC | |
| <input type="checkbox"/> 2006/28/EC | <input checked="" type="checkbox"/> 2000/14/EC_2005/88/EC |
| <input checked="" type="checkbox"/> 2004/108/EC | <input checked="" type="checkbox"/> Annex V |
| <input type="checkbox"/> 2004/22/EC | <input type="checkbox"/> Annex VI
Noise measured: $L_{WA} = 104,7$ dB (A); guaranteed $L_{WA} = 110$ dB (A)
$P = 1,35$ KW; $L/\varnothing =$ cm
Notified Body: |
| <input type="checkbox"/> 1999/5/EC | |
| <input type="checkbox"/> 97/23/EC | <input checked="" type="checkbox"/> 2006/28/EC
Emission No.: e11*97/68SA*2004/26*1181*00 |
| <input type="checkbox"/> 90/396/EC_2009/142/EC | |
| <input type="checkbox"/> 89/686/EC_96/58/EC | |
| <input type="checkbox"/> 2011/65/EC | |

Standard references: EN ISO 11806; EN ISO 14982

Landau/Isar, den 14.02.2012

Weichselgartner/General-Manager

Frank/Product-Management

First CE: 10
 Art.No.: 34.019.95 I.No.: 11011
 Subject to change without notice

Archive-File/Record: NAPR005246
 Documents registrar: Robert Mayn
 Wiesenweg 22, D-94405 Landau/Isar

14. Jamstveni list

Poštovani kupče,
naši proizvodi podliježu strogoj kontroli kvalitete. Žao nam je ako bi ipak došlo do toga da uređaj ne funkcionira besprijekorno i zamolili bismo Vas da se u tom slučaju obratite na adresu naše servisne službe navedenu ispod ovog jamstva. Također smo Vam na raspolaganju na dolje navedenom telefonskom broju servisne službe. Za traženje jamstvenog zahtjeva vrijedi sljedeće:

1. Ovi jamstveni uvjeti reguliraju dodatne jamstvene usluge. Ovo jamstvo ne zadire u Vaše zakonsko pravo zahtjeva za ostvarenje jamstvenih usluga. Realizacija jamstvenih usluga je besplatna.
2. Jamstvena usluga obuhvaća isključivo nedostatke nastale zbog greške na materijalu ili tijekom proizvodnje i ograničen je na uklanjanje tih nedostataka odnosno zamjenu uređaja. Molimo da obratite pažnju na to da naši uređaji nisu konstruirani za korištenje u komercijalne svrhe niti u obrtu i industriji. Prema tome, ugovor o jamstvu ne može se ostvariti ako se uređaj koristi u obrtničkim ili industrijskim pogonima kao i u sličnim djelatnostima. Nadalje su iz jamstva isključene usluge zamjene proizvoda u slučaju transportnih oštećenja, šteta zbog nepridržavanja uputa za montažu ili zbog nestručne instalacije, nepridržavanja uputa za uporabu (kao npr. zbog priključka na pogrešni mrežni napon ili vrstu struje), zbog zlorabe ili nestručnih primjena (kao npr. preopterećenje uređaja ili korištenje nedopuštenih alata ili pribora), u slučaju nepridržavanja uputa za održavanje i sigurnosnih odredbi, zbog prodiranja stranih tijela u uređaj (npr. pijeska, kamenja ili prašine), nasilne primjene ili vanjskih utjecaja (kao npr. oštećenja zbog pada) kao i zbog uobičajenog trošenja tijekom korištenja. To naročito vrijedi za baterije za koje ipak dajemo jamstvo od 12 mjeseci. Zahtjev za jamstvo prestaje biti valjan ako su na uređaju već izvršeni neki zahvati.
3. Jamstveni rok iznosi 3 godine a započinje s datumom kupnje uređaja. Jamstveni zahtjevi ostvaruju se prije isteka jamstvenog roka unutar dvije godine nakon što ste uočili kvar. Ostvarenje jamstvenog zahtjeva nakon isteka jamstvenog roka je isključeno. Popravkom ili zamjenom uređaja ne produljuje se jamstveni rok niti se tom uslugom ostvaruje novi jamstveni rok za uređaj ili ostale ugrađene rezervne dijelove. To također vrijedi i kod korištenja servisa na licu mjesta.
4. Da biste ostvarili svoj jamstveni zahtjev, molimo Vas da nam pošaljete neispravan uređaj bez plaćanja poštarine na dolje navedenu adresu. Priložite originalni račun za kupnju uređaja ili neki drugi dokaz o kupnji s datumom. Molimo Vas da zbog tog razloga dobro sačuvate račun kao dokaz! Što točnije opišite razlog reklamacije. Ako naša jamstvena usluga obuhvaća kvar nastao na Vašem uređaju, odmah ćemo Vam vratiti popravljeni ili novi uređaj.

Razumljivo je da ćemo za naknadu troškova ukloniti i kvarove koje jamstvena usluga ne obuhvaća. U tom slučaju pošaljite uređaj na adresu našeg servisa.

Einhell Croatia d.o.o.

Velika Ves 2
HR-49224 Lepajci
Tel. 049 342 444 · Fax 049 342 392

IAN 72317



Περιεχόμενα

1. Εισαγωγή.....	39
2. Υποδείξεις ασφαλείας	39
3. Περιγραφή της συσκευής και συμπαραδιδόμενα	43
4. Σωστή χρήση.....	43
5. Τεχνικά χαρακτηριστικά	44
6. Πριν τη θέση σε λειτουργία	45
7. Χειρισμός.....	47
8. Συντήρηση και παραγγελία ανταλλακτικών.....	50
9. Φύλαξη και μεταφορά	52
10. Καθαρισμός	53
11. Διάθεση στα απορρίμματα και επαναχρησιμοποίηση.....	53
12. Αποκατάσταση βλάβης.....	54
13. Δήλωση Συμμόρφωσης.....	55
14. Εγγύηση	56

Η ανατύπωση ή οποιασδήποτε άλλης μορφής αναπαραγωγή της τεκμηρίωσης ή άλλων δικαιολογητικών που αναφέρονται στα προϊόντα, ακόμη και αποσπασματικά, επιτρέπεται μόνο με ρητή συγκατάθεση της iSC GmbH.

Με επιφύλαξη τεχνικών τροποποιήσεων



1. Εισαγωγή

Συγχαρητήρια για την αγορά της νέας συσκευής σας. Προτιμήσατε να αγοράσετε ένα προϊόν ανώτερης ποιότητας. Οι οδηγίες χρήσης αποτελούν αναπόσπαστο μέρος αυτού του προϊόντος. Περιέχουν σημαντικές υποδείξεις για την ασφάλεια, τη χρήση και διάθεση της συσκευής. Πριν τη χρήση του προϊόντος να εξοικειωθείτε με όλες τις οδηγίες χειρισμού και τις υποδείξεις ασφαλείας. Να χρησιμοποιείτε το προϊόν μόνο όπως περιγράφεται και μόνο για τον αναφερόμενο σκοπό. Να παραδώσετε όλες τις οδηγίες και υποδείξεις μαζί με το προϊόν εάν το δώσετε σε τρίτα πρόσωπα.

2. Υποδείξεις ασφαλείας

⚠ Προσοχή!

Διαβάστε όλες τις Υποδείξεις ασφαλείας και τις Οδηγίες. Εάν δεν ακολουθήσετε τις Υποδείξεις ασφαλείας και τις Οδηγίες δεν αποκλείονται ηλεκτροπληξία, πυρκαγιά και/ή σοβαροί τραυματισμοί. **Φυλάξτε προσεκτικά όλες τις Υποδείξεις ασφαλείας και τις Οδηγίες για το μέλλον.**

Συστήματα ασφαλείας

Κατά την εργασία με τη συσκευή πρέπει οπωσδήποτε να είναι τοποθετημένο το προστατευτικό κάλυμμα για λειτουργία με τα μαχαίρια ή με το νήμα ώστε να αποφευχθεί ο εκσφενδονισμός αντικειμένων. Το μαχαίρι που βρίσκεται ενσωματωμένο στο προστατευτικό κάλυμμα κόβει αυτόματα το νήμα στο μήκος που χρειάζεται.

Εξήγηση των πινακίδων με υποδείξεις επάνω στη συσκευή (εικ. 14):

1. Προσοχή!
2. Πριν τη θέση σε λειτουργία διαβάστε τις Οδηγίες χρήσης.
3. Να χρησιμοποιείτε προστασία ματιών/

- κεφαλιού και ηχοπροστασία!
4. Να φορά γερά παπούτσια!
5. Να φοράτε προστατευτικά γάντια!
6. Να προστατεύετε τη συσκευή από υγρασία!
7. Προσέχετε τα εκσφενδονιζόμενα αντικείμενα.
8. Πριν από εργασίες συντήρησης να σταθμεύσετε τη συσκευή και να βγάλετε τα μπουζί!
9. Η απόσταση μεταξύ συσκευής και ατόμων να είναι τουλάχιστον 15 μέτρα!
10. Η κοπτική μονάδα (μαχαίρι/νήμα κοπής) συνεχίζει να λειτουργεί ακόμη λίγο μετά την απενεργοποίηση!
11. Προσοχή, καυτά τμήματα. Να κρατάτε απόσταση!
12. Κάθε 20 ώρες εργασίας συμπληρώστε λίγο λιπαντικό (γράσσο οδοντωτών τροχών)!

Υποδείξεις ασφαλείας

- Διαβάστε προσεκτικά τις οδηγίες χρήσης. Εξοικειωθείτε με τις ρυθμίσεις και τη σωστή χρήση της μηχανής.
 - Ποτέ μην επιτρέπεται σε παιδιά ή σε άτομα που δεν γνωρίζουν τις Οδηγίες χρήσης να χρησιμοποιούν τη συσκευή. Οι τοπικές προδιαγραφές μπορεί να προσδιορίζουν την κατώτερη ηλικία για του χρήστη.
 - Ποτέ μη κόβετε όταν στέκονται κοντά σας άλλα άτομα, ιδιαίτερα παιδιά ή ζώα.
- Προειδοποίηση:**
Να τηρείτε απόσταση ασφαλείας 15 μέτρων. Σε περίπτωση πλησιάσματος, απενεργοποιήστε αμέσως τη συσκευή. Μη ξεχνάτε πως ο χειριστής της συσκευής ευθύνεται για ατυχήματα με άλλα άτομα ή για ζημιές σε αντικείμενα της ιδιοκτησίας τους.
- Προσοχή: Κίνδυνος δηλητηρίασης, τα απαέρια, τα καύσιμα και τα λιπαντικά είναι τοξικά, δεν επιτρέπεται η εισπνοή απαερίων.

Πριν τη χρήση

- Όταν κόβετε τα χόρτα να φοράτε πάντα γερά, αντιολισθητικά παπούτσια και ένα μακρύ πανταλόνι. Ποτέ μη κόβετε τη χλόη ξυπόλητοι ή με λεπτά σανδάλια.
- Ελέγξτε το χώρο στον οποίο θα χρησιμοποιηθεί η μηχανή και απομακρύντε όλα τα αντικείμενα που μπορεί να πιαστούν και να εκσφενδονιστούν.
- Προειδοποίηση: Η βενζίνη είναι λίαν εύφλεκτη.
 - να φυλάγετε τη βενζίνη σε δοχεία που προβλέπονται για το σκοπό αυτό.
 - να βάζετε βενζίνη μόνο στο ύπαιθρο και μη καπνίζετε κατά τη διάρκεια που βάζετε βενζίνη.
 - να βάζετε βενζίνη πριν την ενεργοποίηση του κινητήρα. Όταν λειτουργεί ο κινητήρας ή όταν η μηχανή είναι ακόμη ζεστή, να μην ανοίγετε το πώμα του ρεζερβουάρ και να μη γεμίζετε βενζίνη.
 - εάν ξεχειλίσει η βενζίνη, μη προσπαθήσετε να εκκινήσετε τον κινητήρα. Μεταφέρετε τη μηχανή μακριά από το σημείο που λερώθηκε από την ξεχειλισμένη βενζίνη. Να αποφεύγετε κάθε προσπάθεια ανάφλεξης, μέχρι να εξαφανισθούν οι ατμοί της βενζίνης.
 - Για λόγους ασφαλείας να αντικαθίστανται τα ελαττωματικά ρεζερβουάρ και τα πώματά τους.
- Να αντικαθίστανται οι ελαττωματικοί σιγαστήρες.
- Πριν τη χρήση να γίνεται πάντα οπτικός έλεγχος για διαπίστωση εάν τα εργαλεία κοπής, τα μπουλόνια στερέωσης και όλη η μονάδα κοπής έχει φθαρεί ή έχει υποστεί κάποια ζημιά. Προς αποφυγή ανισορροπίας επιτρέπεται η αντικατάσταση φθαρμένων ή ελαττωματικών εργαλείων κοπής και μπουλονιών στερέωσης μόνο με αντικατάσταση ολόκληρου του σετ.

Χειρισμός

(χειρισμός, φύλαξη, έλεγχος)

- Να φοράτε εφαρμοστά ρούχα, που προστατεύουν, όπως μακρύ πανταλόνι, ασφαλή παπούτσια εργασίας, ανθεκτικά γάντια εργασίας, προστατευτικό κράνος, προστατευτική μάσκα για το πρόσωπο ή προστατευτικά γυαλιά για την προστασία των ματιών και καλό βαμβάκι για τα αυτιά ή άλλες ωτοασπίδες.
- Να φυλάγετε τη μηχανή πάντα σε ασφαλές μέρος. Να ανοίγετε αργά το πώμα του ρεζερβουάρ βενζίνης για εξαγωγή ενδεχόμενης πίεσης που σχηματίστηκε στο ρεζερβουάρ. Προς αποφυγή του κινδύνου πυρκαγιάς, απομακρυνθείτε τουλάχιστον 3 μέτρα από το σημείο στο οποίο βάλате βενζίνη, προτού ενεργοποιήσετε τη συσκευή.
- Να σβήνετε τη συσκευή πριν την ακουμπήσετε στο έδαφος.
- Να κρατάτε τη συσκευή πάντα γερά με τα δύο χέρια. Ο αντίχειρας και τα δάκτυλα να περικλείουν τις λαβές.
- Να προσέχετε να είναι καλά σφικτές οι βίδες και τα στοιχεία σύνδεσης. Ποτέ μη χρησιμοποιείτε τη μηχανή όταν δεν είναι επαρκώς ρυθμισμένη ή πλήρως και ασφαλώς συναρμολογημένη.
- Προσέξτε οι χειρολαβές να είναι στεγνές και καθαρές και να μην βρίσκονται επάνω τους υπολείμματα μίγματος βενζίνης.
- Φέρτε το πηνίο του νήματος στο επιθυμούμενο ύψος. Να αποφεύγετε την επαφή μικροαντικειμένων (π. χ. πέτρες) με το πηνίο του νήματος.
- Σε περίπτωση εργασίας σε πλαγιές να στέκεστε πάντα κάτω από την κοπτική μονάδα. Ποτέ μην κόβετε σε επίπεδο ή ολισθηρό λόφο ή πλαγιά.
- Να κρατάτε όλα τα μέλη του σώματος και τα ρούχα σας μακριά από το πηνίο του νήματος, όταν βάζετε μπροστά τον κινητήρα ή όταν λειτουργεί ο



κινητήρας. Προτού βάλετε μπροστά τον κινητήρα, σιγουρευθείτε, πως το πηνίο του νήματος δεν έρχεται σε επαφή με κανένα εμπόδιο.

- Να σβήνετε το μοτέρ πάντα πριν από την εκτέλεση εργασιών στο κοπτικό εργαλείο.
- Να αποθηκεύετε τη συσκευή σε ασφαλές μέρος προστατευόμενο από ανοικτές φλόγες και πηγές θερμότητας/σπινθηροβολισμού όπως μοϊλερ ζεστού νερού με αέριο, ξηραντήρες ρούχων, σόμπες πετρελαίου ή φορητά αερόθερμα κλπ.
- Να διατηρείτε το προστατευτικό κάλυμμα, το πηνίο του νήματος και τον κινητήρα κατά τη φύλαξη πάντα καθαρά από υπολείμματα χλόης.
- Μόνο επαρκώς εκπαιδευμένα άτομα και ενήλικοι επιτρέπεται να χειρίζονται, να ρυθμίζουν και να συντηρούν τη μηχανή.
- Εάν δεν είστε εξοικειωμένος/η με τη συσκευή, δοκιμάστε την με μη ενεργοποιημένη μηχανή.
- Να ελέγχετε πάντα τη γύρω περιοχή, στερεά αντικείμενα όπως μεταλλικά τμήματα, μπουκάλια κλπ. μπορούν να εκσφενδονιστούν και να προκαλέσουν σοβαρούς τραυματισμούς και να καταστρέψουν τη συσκευή. Εάν κατά λάθος ακουμπήσετε με τη συσκευή ένα στερεό αντικείμενο, απενεργοποιήστε αμέσως τη μηχανή και ελέγξτε την για ενδεχόμενες βλάβες. Ποτέ μη χρησιμοποιείτε τη συσκευή, όταν έχει υποστεί ζημιές ή διαπιστώσετε ελαττώματα.
- Να κόβετε πάντα με μεγάλο αριθμό στροφών. Μην αφήνετε τον κινητήρα να λειτουργεί στην αρχή της εργασίας σας σε χαμηλό αριθμό στροφών.
- Να χρησιμοποιείτε τη συσκευή μόνο για τον προβλεπόμενο σκοπό, όπως κόψιμο μπορντούρας και αγριόχορτων.
- Ποτέ μην κρατάτε το πηνίο του νήματος στο ύψος του γόνατου όταν λειτουργεί η συσκευή.
- Μη χρησιμοποιείτε τη συσκευή, όταν βρίσκονται κοντά σας θεατές ή ζώα. Κατά τη διάρκεια της εργασίας σας να τηρείτε ελάχιστη απόσταση 15 μέτρων μεταξύ χειριστή και άλλων προσώπων ή ζώων. Όταν κόβετε χόρτα μέχρι το έδαφος, να κρατάτε απόσταση 30 μέτρων.

Πρόσθετες υποδείξεις ασφαλείας:

- Μη χρησιμοποιείτε διαφορετικό καύσιμο από αυτό που αναφέρεται στις Οδηγίες. Να τηρείτε πάντα τις οδηγίες στο Κεφάλαιο „Καύσιμο και λάδι“ αυτής της Οδηγίας. Μη χρησιμοποιείτε βενζίνη που δεν έχει αναμιχθεί καλά με λάδι για δίχρονο κινητήρα. Διαφορετικά υφίσταται κίνδυνος μόνιμης ζημιάς του κινητήρα, πράγμα που συνεπάγεται την έκπτωση της εγγύησης του κατασκευαστή.
- Μη καπνίζετε όταν βάζετε βενζίνη ή όταν χρησιμοποιείτε τη συσκευή.
- Μη χρησιμοποιείτε τη συσκευή χωρίς εξάτμιση.
- Μην αγγίζετε την εξάτμιση, ούτε με τα χέρια ούτε με το σώμα. Να κρατάτε τη μηχανή πάντα γερά και με τα δύο χέρια, έτσι ώστε ο αντίχειρας και τα δάκτυλα να περικλείουν τις λαβές.
- Μη χειρίζεστε τη συσκευή όταν δεν στέκεστε άνετα, ούτε όταν δεν έχετε καλή ισορροπία, με τεντωμένα χέρια ή μόνο με ένα χέρι. Κατά τη χρήση της συσκευής να χρησιμοποιείτε και τα δύο σας χέρια και να την περικλείετε με τον αντίχειρα και τα δάκτυλά σας.
- Να κρατάτε το πηνίο του νήματος πάντα προς το έδαφος όταν είναι ενεργοποιημένη η συσκευή.
- Να χρησιμοποιείτε τη συσκευή μόνο για τον σκοπό για τον οποίο προορίζεται, όπως για το κόψιμο χόρτων και για θέρισμα.
- Να μη χρησιμοποιείτε τη συσκευή για μεγαλύτερο χρονικό διάστημα, να κάνετε τακτικά διαλείμματα.
- Μη χρησιμοποιείτε τη συσκευή υπό την



επίρροια οινοπνευματωδών ποτών ή ναρκωτικών.

- Να χρησιμοποιείτε τη συσκευή μόνο όταν έχει τοποθετηθεί το ανάλογο προστατευτικό κάλυμμα και βρίσκεται σε καλή κατάσταση.
- Κάθε τροποποίηση, όλες οι προσθήκες ή αφαιρέσεις στο ή από το προϊόν μπορούν να αποτελέσουν κίνδυνο για τη σωματική ακεραιότητα και συνεπώς την έκπτωση της εγγύησης του κατασκευαστή.
- Ποτέ μη χρησιμοποιείτε τη συσκευή κοντά σε εύφλεκτα υγρά ή αέρια, ούτε σε κλειστούς χώρους ούτε στο ύπαιθρο. Σε τέτοια περίπτωση δεν αποκλείονται εκρήξεις και/ή πυρκαγιά.
- Μη χρησιμοποιείτε άλλα κοπτικά εργαλεία. Για τη δική σας ασφάλεια να χρησιμοποιείτε μόνο εξαρτήματα και πρόσθετες συσκευές που αναφέρονται στις Οδηγίες χρήσης ή που συνιστώνται ή αναφέρονται από τον κατασκευαστή. Η χρήση άλλων εργαλείων ή εξαρτημάτων από αυτών που αναφέρονται στις Οδηγίες χρήσης ή στον κατάλογο μπορούν να αποτελέσουν κίνδυνο για τη σωματική σας ακεραιότητα.

Μέτρα ασφαλείας κατά τη χρήση του μαχαιριού

- Να λαμβάνετε υπόψη όλες τις προειδοποιήσεις και οδηγίες για τη λειτουργία και την τοποθέτηση του μαχαιριού.
- Ο δίσκος κοπής μπορεί να εκσφενδονιστεί απότομα από αντικείμενα, σε περίπτωση που δεν μπορεί να τα κόψει ή να τα θερίσει. Το γεγονός αυτό μπορεί να προκαλέσει τραυματισμούς χεριών και ποδιών. Να φροντίζετε να τηρούν άλλα πρόσωπα και ζώα απόσταση τουλάχιστον 15 μέτρων προς όλες τις κατευθύνσεις από τη θέση εργασίας. Εάν η συσκευή πέσει πάνω σε ξένα αντικείμενα, σταματήστε αμέσως το μοτέρ και

περιμένετε την πλήρη ακινητοποίηση της κοπτικής μονάδας. Ελέγξτε το μαχαίρι για βλάβες. Να αντικαθίσταται το μαχαίρι όταν είναι στρεβλωμένο είναι όταν έχει σχισμές.

- Το μαχαίρι εκσφενδονίζει με δύναμη αντικείμενα. Το γεγονός αυτό μπορεί να προκαλέσει τύφλωση ή τραυματισμούς. Να χρησιμοποιείτε προστασία ματιών, προσώπου και ποδιών. Να απομακρύνετε πάντα τα αντικείμενα από την περιοχή εργασίας, προτού αρχίσετε να εργάζεστε με το μαχαίρι.
- Να ελέγχετε προσεκτικά τη συσκευή σας και τα εξαρτήματα πριν από τη χρήση για ενδεχόμενα ελαττώματα. Μη χρησιμοποιείτε τη συσκευή, εφόσον δεν έχουν εγκατασταθεί σωστά όλα τα εξαρτήματα του μαχαιριού.
- Το μαχαίρι σταματάει σιγά-σιγά να λειτουργεί, μόλις αφεθεί ελεύθερος ο μοχλός γκαζιού. Ακόμη και τη στιγμή που αρχίζει να ακινητοποιείται το μαχαίρι μπορεί ενδεχομένως να σας τραυματίσει. Πριν αρχίσετε να εργάζεστε με το δίσκο κοπής, να απενεργοποιείτε το μοτέρ και να σιγουρεύετε πως ακινητοποιήθηκε πλήρως το μαχαίρι.
- Ζώνη κινδύνου με διάμετρο 15 μέτρων. Τα πρόσωπα που στέκονται τριγύρω μπορεί να υποστούν τύφλωση ή τραυματισμούς. Κατά τη διάρκεια της εργασίας σας να τηρείτε ελάχιστη απόσταση 15 μέτρων προς όλες τις κατευθύνσεις μεταξύ χειριστή και άλλων προσώπων ή ζώων.



3. Περιγραφή της συσκευής και συμπαραδιδόμενα

3.1 Περιγραφή της συσκευής (εικ. 1-13)

1. Σύνδεσμος λόγχης οδήγησης
2. Λόγχη οδήγησης
3. Λαβή οδήγησης
4. Σχοινί εκκίνησης
5. Μοχλός τσοκ
6. Ντεπόζιτο βενζίνης
7. Αντλία καύσιμου „Primer“
8. Κάλυμμα περιβλήματος φίλτρου αέρα
9. Διακόπτης ενεργοποίησης/ απενεργοποίησης
10. Ασφάλιση μοχλού γκαζιού
11. Μοχλός γκαζιού
12. Φραγή μοχλού γκαζιού
13. Πηνίο νήματος και νήμα
14. Προστατευτικό κάλυμμα για το νήμα
15. Προστατευτικό κάλυμμα για μαχαίρι κοπής
16. 4x Βίδα M5
17. Ζώνη μεταφοράς
- 18a. Μαχαίρι κοπής (4 δόντια)
- 18b. Μαχαίρι κοπής (3 δόντια)
19. Στήριγμα λαβής οδήγησης
20. Βίδα λαβής M8
21. Ροδέλα Ø 8mm
22. Σύνδεσμος-δίσκος
23. Πλάκα πίεσης
24. Κάλυμμα πλάκας πίεσης
25. Παξιμάδι M10 (αριστερόστροφο σπείρωμα)
26. Μπουκάλι ανάμιξης λαδιού/βενζίνης
27. Μπουζόκλειδο
28. Διπλό κλειδί 8/10mm
29. Κλειδί εξαγώνο 4 mm
30. Κλειδί εξαγώνο 5 mm
31. Προστατευτικό πώμα για βύσμα του μπουζί
32. Βίδα λαβής M6
33. Παξιμάδι M6
34. Ροδέλα Ø 6mm
35. Φίλτρο αέρα
36. Βύσμα για μπουζί

Τα μαχαίρια κοπής (18a/18b) και το πηνίο του νήματος (13) αναφέρονται στο κείμενο και ως κοπτική μονάδα (γενικός όρος).

3.2 Συμπαραδιδόμενα

- Ανοίξτε τη συσκευασία και βγάλτε προσεκτικά τη συσκευή.
- Απομακρύντε τα υλικά συσκευασίας καθώς και τα συστήματα προστασίας της συσκευασίας / μεταφοράς (εάν υπάρχουν).
- Ελέγξτε εάν είναι πλήρες το περιεχόμενο.
- Ελέγξτε τη συσκευή και τα αξεσουάρ για ενδεχόμενες ζημιές από τη μεταφορά.
- Φυλάξτε τη συσκευασία αν γίνεται μέχρι την πάροδο της προθεσμίας της εγγύησης.

Προσοχή!

Η συσκευή και τα υλικά συσκευασίας δεν είναι παιχνίδια! Τα παιδιά δεν επιτρέπεται να παίζουν με πλαστικές σακούλες, πλαστικές μεμβράνες και μικροαντικείμενα! Υφίσταται κίνδυνος κατάποσης και ασφυξίας!

4. Σωστή χρήση

Η συσκευή (χρήση του μαχαιριού κοπής) είναι κατάλληλη για να κόβετε ψηλά χόρτα και λεπτούς θάμνους με το μαχαίρι με τα 4 δόντια και για πιο πυκνούς θάμνους και λεπτά κλαριά με το μαχαίρι με τα 3 δόντια. Η συσκευή (χρήση του πηνίου νήματος με νήμα) είναι κατάλληλη για την κοπή γκαζόν και λεπτών αγριόχορτων. Η τήρηση της από τον κατασκευαστή των επισυναπτόμενων Οδηγιών χρήσης αποτελεί προϋπόθεση για τη σωστή χρήση της συσκευής. Κάθε άλλη χρήση που δεν επιτρέπεται ρητά στις Οδηγίες αυτές, μπορεί να προκαλέσει ζημιές στη συσκευή και να προκαλέσει σοβαρό κίνδυνο για τον χρήστη. Να προσέχετε οπωσδήποτε τους περιορισμούς στις υποδείξεις ασφαλείας.

Παρακαλούμε να προσέξετε, πως οι συσκευές μας δεν έχουν κατασκευαστεί για επαγγελματική, βιοτεχνική και βιομηχανική χρήση. Δεν αναλαμβάνουμε καμία εγγύηση, εάν η συσκευή χρησιμοποιηθεί σε βιοτεχνίες ή βιομηχανίες ή σε παρόμοιες εργασίες.

Προσοχή! Λόγω κινδύνου της σωματικής ακεραιότητας του χρήστη η συσκευή δεν επιτρέπεται να χρησιμοποιηθεί για τις ακόλουθες εργασίες: για καθαρισμό σε πεζοδρόμια και για τεμαχισμό κλαδιών από δέντρα και θάμνους. Επίσης η συσκευή δεν επιτρέπεται να χρησιμοποιηθεί για επιπεδοποίηση εδάφους, όπως π.χ. χωμάτων από τυφλοπόντικες. Για λόγους ασφαλείας δεν επιτρέπεται να χρησιμοποιηθεί η συσκευή για μετάδοση κίνησης για άλλες συσκευές οποιουδήποτε είδους.

Η συσκευή επιτρέπεται να χρησιμοποιείται μόνο για τον σκοπό για τον οποίο προορίζεται. Κάθε πέραν τούτου χρήση δεν είναι ενδεδειγμένη. Για ζημιές ή τραυματισμούς παντός είδους που οφείλονται σε μη ενδεδειγμένη χρήση ευθύνεται ο χρήστης / χειριστής και όχι ο κατασκευαστής.

5. Τεχνικά χαρακτηριστικά

Τύπος κινητήρα Δίχρονος, αερόψυκτος
 κινητήρας, κύλινδρος χρωμίου
 (Μέγιστη) ισχύς κινητήρα 1,35 kW / 1,8 PS
 Κυβισμός 42,7 ccm
 Αριθμός στροφών κινητήρα
 χωρίς φορτίο 3000 min⁻¹
 Μέγ. αριθμός στροφών κινητήρα
 με μαχαίρι: 9000 min⁻¹
 με πηνίο νήματος: 8400 min⁻¹
 Μέγ. ταχύτητα κοπής
 με μαχαίρι: 6800 min⁻¹
 με πηνίο νήματος: 6300 min⁻¹
 Ανάφλεξη Ηλεκτρονική
 Μετάδοση κίνησης Φυγοκεντρικός
 συμπλέκτης
 Βάρος (άδειο ντεπόζιτο) 7,5 kg
 Διάμετρος ακτίνας κοπής νήματος .. 41 cm
 Διάμετρος ακτίνας κοπής μαχαιριού 23 cm
 Μήκος νήματος 8,0 m
 Διάμετρος νήματος 2,0 mm
 Χωρητικότητα ρεζερβουάρ 0,8 l
 Μπουζί Champion RCJ6Y
 Κατανάλωση καυσίμου σε
 μέγιστη ισχύ κινητήρα 0,6 kg/h
 ειδική κατανάλωση καυσίμου
 σε μέγιστη ισχύ κινητήρα 446 g/kWh

Θόρυβος και δονήσεις

Στάθμη ηχητικής πίεσης L_{pA} 98 dB(A)
 Αβεβαιότητα K_{pA} 1,5 dB
 Στάθμη ηχητικής ισχύος L_{WA} 110 dB(A)
 Αβεβαιότητα K_{WA} 1,5 dB

Να χρησιμοποιείτε ηχοπροστασία.

Η επίδραση θορύβου μπορεί να έχει σαν συνέπεια την απώλεια της ακοής.

Χειρολαβή

Εκπομπή δονήσεων a_h = 4,1 m/s²
 Αβεβαιότητα K = 1,5 m/s²



Περιορίστε την δημιουργία θορύβου και τις δονήσεις στο ελάχιστο!

- Να χρησιμοποιείτε μόνο συσκευές σε άψογη κατάσταση.
- Να συντηρείτε και να καθαρίζετε τακτικά τη συσκευή.
- Να προσαρμόζετε στη συσκευή τον τρόπο εργασίας σας.
- Προσέξτε να μην υπερφορτώνετε τη συσκευή.
- Αφήστε τη συσκευή νδεχομένως να ελεγχθεί από ειδικό τεχνίτη.
- Να απενεργοποιείτε τη συσκευή όταν δεν την χρησιμοποιείτε.
- Να φοράτε γάντια.

6. Πριν τη θέση σε λειτουργία

6.1. Συναρμολόγηση

6.1.1 Τοποθέτηση της λαβής οδήγησης (εικ. 3a-3c)

Τοποθετήστε τη λαβή οδήγησης (3) όπως φαίνεται στις εικόνες 3a - 3c. Σφίξτε τη βίδα (20) μόνο αφού ρυθμίσετε την ιδανική θέση εργασίας με τη ζώνη μεταφοράς (17) (βλέπε και το κεφάλαιο 6.2). Η λαβή οδήγησης να ευθυγραμμιστεί όπως δείχνει η εικόνα 1. Η αποσυναρμολόγηση γίνεται στην αντίστροφη σειρά.

6.1.2 Τοποθέτηση της λόγχης οδήγησης (εικ. 4a - 4c)

Σπρώξτε τη βίδα λαβής (32) μέσα από τη ροδέλα (34) στο ενδιάμεσο τμήμα της λόγχης οδήγησης (1). Βιδώστε τη βίδα λαβής όχι σφικτά με το παξιμάδι (33). Πιέστε τώρα το μοχλό ασφάλισης (A) και ωθήστε προσεκτικά τη λόγχη οδήγησης (εικ. 4a/Pos. 2) στο σύνδεσμο της λόγχης κονταριού οδήγησης. Προσέξτε οι κινητήριιοι άξονες να μπαίνουν εύκολα ο ένας στον άλλο στο εσωτερικό της λόγχης οδήγησης (ενδεχομένως στρίψτε ελαφριά στο πηνίο του νήματος (13) / στο μαχαίρι (18a/18b). Η μύτη του μοχλού ασφάλισης (A) να κουμπώνει στην τρύπα (B). Τώρα

σφίξτε τη βίδα λαβής όπως φαίνεται στην εικόνα 4c. Για την αποσυναρμολόγηση χρειάζεται μόνο το λασκάρισμα της βίδας λαβής και ο χειρισμός του μοχλού ασφάλισης.

6.1.3 Συναρμολόγηση του προστατευτικού καλύμματος του μαχαιριού

Προσοχή: Σε εργασίες με το μαχαίρι κοπής πρέπει να είναι πάντα τοποθετημένο το προστατευτικό κάλυμμα (15). Τοποθετήστε το προστατευτικό κάλυμμα του μαχαιριού όπως φαίνεται στις εικόνες 5a-5b.

6.1.4 Μοντάζ/αντικατάσταση του μαχαιριού

Η τοποθέτηση του μαχαιριού κοπής (18a/18b) προκύπτει από τις εικόνες 6a-6g. Η αποσυναρμολόγηση γίνεται στην αντίστροφη σειρά.

- Βάλτε τον σύνδεσμο (22) πάνω στον οδοντωτό άξονα όπως φαίνεται στην εικόνα 6b.
- Ασφαλίστε τα μαχαίρια κοπής (18a/18b) στο σύνδεσμο-δίσκο (εικ. 6c)
- Βάλτε την πλάκα πίεσης (23) πάνω από το σπείρωμα στον οδοντωτό άξονα (εικ. 6d)
- Βάλτε επάνω το κάλυμμα της πλάκας πίεσης (24) (εικ. 6e)
- Ψάξτε την οπή του σύνδεσμου, συμφωνήστε την με την εγκοπή που βρίσκεται από κάτω και σταθεροποιήστε με τον συμπαραδιδόμενο κλειδί άλλεν (29) για να σφίξετε τώρα το παξιμάδι (25) με το κλειδί για μπουζί (27) (εικ. 6f/6g). Προσοχή: Αριστερόστροφο σπείρωμα
- Τα μαχαίρια κοπής (18a/18b) παραδίδονται με πλαστικό προστατευτικά καλύμματα. Τα καλύμματα αυτά να απομακρυνθούν πριν τη χρήση και κατόπιν να επανατοποθετηθούν.



6.1.5 Τοποθέτηση του προστατευτικού καλύμματος του νήματος κοπής στο προστατευτικό κάλυμμα μαχαιριού

Προσοχή: Σε εργασίες με το νήμα κοπής πρέπει να είναι πάντα τοποθετημένο το προστατευτικό κάλυμμα του νήματος (14). Τοποθετήστε το προστατευτικό κάλυμμα του νήματος όπως φαίνεται στις εικόνες 7a - 7b. Προσέξτε να κουμπώσει καλά το προστατευτικό κάλυμμα του νήματος κοπής. Στην κάτω πλευρά του προστατευτικού καλύμματος βρίσκεται ένα μαχαίρι (εικ. 7a/ αρ. F) για την αυτόματη επέκταση του νήματος. Το νήμα αυτό καλύπτεται με προστατευτικό σύστημα (εικ. 7a/αρ. G).

Αφαιρέστε αυτό το προστατευτικό σύστημα πριν την έναρξη της εργασίας και επανατοποθετήστε το μετά την εργασία.

6.1.6 Μοντάζ / αντικατάσταση του πηνίου νήματος

Η τοποθέτηση του πηνίου του νήματος (13) προκύπτει από την εικόνα 7c. Η αποσυναρμολόγηση γίνεται στην αντίστροφη σειρά. Το πηνίο του νήματος έχει ήδη προτοποθετηθεί πριν την παράδοση.

Ψάξτε την οπή του σύνδεσμου (22), συμφωνήστε την με την εγκοπή που βρίσκεται από κάτω και σταθεροποιήστε με τον συμπαραδιδόμενο κλειδί άλλεν (29) για να σφίξετε τώρα το πηνίο του νήματος στο σπειρώμα. **Προσοχή:** Αριστερόστροφο σπειρώμα

6.2 Ρύθμιση του ύψους κοπής

- Φορέστε τη ζώνη μεταφοράς (17) όπως φαίνεται στην εικόνα 8a – 8c.
- Κρεμάστε τη συσκευή στη ζώνη μεταφοράς (εικ. 8d).
- Με τα διαφορετικά κλεισίματα στερέωσης της ζώνης μπορείτε να ρυθμίσετε την ιδανική θέση (εικ. 8e).
- Για να διαπιστώσετε ποιο είναι το ιδανικό μήκος για τη ζώνη, κάντε μερικές περιστροφικές κινήσεις χωρίς

να βάλετε μπροστά τον κινητήρα (εικ. 9a).

Η ζώνη μεταφοράς διαθέτει ταχυμηχανισμό ανοίγματος. Εάν χρειαστεί να βγάλετε γρήγορα τη συσκευή, τραβήξτε στο κόκκινο τμήμα της ζώνης (εικ. 8f).

Προσοχή: Να χρησιμοποιείτε τη ζώνη πάντα όταν εργάζεστε με τη συσκευή. Φορέστε τη ζώνη μόλις βάλετε μπροστά τον κινητήρα και ο κινητήρας λειτουργεί σε λειτουργία κενού. Σβήστε τον κινητήρα προτού βγάλετε τη ζώνη μεταφοράς.

6.3 Καύσιμο και λάδι

Συνιστώμενα καύσιμα

Να χρησιμοποιείτε ένα μίγμα από απλή αμόλυβδη βενζίνη και ειδικό λάδι για δίχρονο κινητήρα.

Ανακατέψτε το μίγμα καυσίμου σύμφωνα με τον πίνακα ανάμιξης καυσίμου.

Προσοχή: Μη χρησιμοποιείτε μείγμα καυσίμου που φυλάχθηκε για περισσότερο από 90 ημέρες.

Προσοχή: Μη χρησιμοποιείτε λάδι για δίχρονο κινητήρα για το οποίο συνιστάται ανάμιξη σε αναλογία 100:1. Σε περίπτωση βλάβης του κινητήρα λόγω χρήσης λάθος είδους λαδιού εκπίπτει η εγγύηση του κατασκευαστή για τον κινητήρα.

Προσοχή: Για τη μεταφορά και αποθήκευση του καυσίμου να χρησιμοποιείτε μόνο τους προβλεπόμενους για το σκοπό αυτό περιέκτες. Βάλτε την εκάστοτε σωστή ποσότητα βενζίνης και λαδιού για δίχρονο κινητήρα στο συμπαραδιδόμενο μπουκάλι (βλέπε την τυπωμένη κλίμακα). Ανακινήστε κατόπιν καλά το δοχείο.

6.4 Πίνακας ανάμιξης καυσίμου

Διαδικασία ανάμιξης: 40 μέρη βενζίνια σε 1 μέρος λάδι

Βενζίνη	Λάδι δίχρονου κινητήρα
1 λίτρο	25 ml
5 λίτρα	125 ml

7. Χειρισμός

Παρακαλούμε να προσέξετε τις νόμιμες διατάξεις του Κανονισμού Ηχοπροστασίας, που ενδεχομένως να διαφέρουν από τόπο σε τόπο.

Να ελέγχετε τη συσκευή πριν από κάθε θέση σε λειτουργία:

- στεγανότητα του συστήματος καυσίμου.
- Άψογη κατάσταση των συστημάτων ασφαλείας και του κοπτικού συστήματος.
- Καλή στερέωση όλων των βιδωτών συνδέσμων.
- Ευκινησία όλων των κινούμενων εξαρτημάτων.

7.1 Εκκίνηση με ψυχρό κινητήρα

Γεμίστε στο ρεζερβουάρ την απαιτούμενη ποσότητα μείγματος βενζίνης/λαδιού.

Βλέπε και το κεφάλαιο „Καύσιμο και λάδι“.

1. Τοποθετήστε τη συσκευή σε σκληρή, επίπεδη επιφάνεια
2. Πιέστε την αντλία καυσίμου (Primer) (εικ. 1/αρ. 7) 10 φορές.
3. Αφήστε ελεύθερο τον διακόπτη ενεργοποίησης/απενεργοποίησης (εικ. 1/αρ. 9) στη θέση „I“.
4. Ασφαλίστε τον μοχλό γκαζιού (εικ. 1/αρ. 11). Για το σκοπό αυτό χειριστείτε το σύστημα φραγής μοχλού γκαζιού (εικ. 1/αρ. 12) και κατόπιν το μοχλό γκαζιού (εικ. 1/αρ. 11) και ασφαλίστε τον μοχλό γκαζιού με σύγχρονη πίεση της ασφάλισης (εικ. 1/αρ. 10).

5. Βάλτε το τσοκ (εικ. 1/αρ. 5) στη θέση „I“.

6. Κρατήστε καλά τη συσκευή και τραβήξτε το σχοινί εκκίνησης (εικ. 1/αρ. 4) μέχρι την πρώτη αντίσταση. Τώρα τραβήξτε γρήγορα 4 φορές το σχοινί εκκίνησης. Η συσκευή πρέπει τώρα να πάρει μπροστά.

Προσοχή: Μην αφήνετε το σχοινί εκκίνησης να πεταχτεί πάλι προς τα πίσω. Αυτό μπορεί να προκαλέσει ζημιές.

Προσοχή: Με τον ασφαλισμένο μοχλό γκαζιού αρχίζει να λειτουργεί το κοπτικό εργαλείο με την εκκίνηση του μοτέρ.

Κατόπιν με απλό χειρισμό απασφαλίζετε το μοχλό του γκαζιού. Συγχρόνως με το χειρισμό του μοχλού του γκαζιού απασφαλίζεται το τσοκ. (Ο κινητήρας επιστρέφει στο ρελαντί).

7. Εάν δεν πάρει μπροστά ο κινητήρας, επαναλάβετε τα βήματα στο εδάφιο 4-6.

Προσέξτε: Εάν ο κινητήρας δεν πάρει μπροστά ακόμη και μετά από περισσότερες προσπάθειες, διαβάστε το κεφάλαιο „Αποκατάσταση βλαβών“. Προσέξτε: Να τραβάτε το σχοινί εκκίνησης πάντα ίσια προς τα έξω. Εάν τραβηχτεί σε γωνία, δημιουργείται τριβή στη θηλιά. Εξαιτίας της τριβής αυτής φθείρεται το σχοινί και καταστρέφεται ταχύτερα. Να κρατάτε πάντα το σχοινί, όταν τραβιέται προς τα μέσα το σχοινί εκκίνησης. Μην αφήνετε ποτέ το σχοινί να ξαναπετιέται μέσα αφού το έχετε τραβήξει προς τα έξω.



7.2 Εκκίνηση με θερμό κινητήρα

(Η συσκευή ήταν ακινητοποιημένη λιγότερο από 15-20 λεπτά)

1. Τοποθετήστε τη συσκευή σε σκληρή, επίπεδη επιφάνεια.
2. Βάλτε τον διακόπτη ενεργοποίησης/ απενεργοποίησης (εικ. 1/αρ. 9) στη θέση „I“.
3. Μοχλός γκαζιού (εικ. 1 / αρ. 11)
Ασφαλίστε το μοχλό γκαζιού (σύμφωνα με τις οδηγίες στο κεφάλαιο „Εκκίνηση με ψυχρό κινητήρα“)
4. Κρατήστε καλά τη συσκευή και τραβήξτε το σχοινί εκκίνησης προς τα έξω μέχρι την πρώτη αντίσταση. Τώρα τραβήξτε γρήγορα το σχοινί εκκίνησης. Η συσκευή πρέπει τώρα να πάρει μπροστά μετά από 1-2 τραβήγματα. Εάν μετά από 6 τραβήγματα δεν πάρει μπροστά η συσκευή, επαναλάβετε τα βήματα 1-7 με ψυχρό κινητήρα.

7.3 Σβήστε τον κινητήρα

Βήματα για απενεργοποίησης σε περίπτωση ανάγκης:

Εάν χρειαστεί να διακοπεί άμεσα η λειτουργία της μηχανής, βάλτε τον διακόπτη ενεργοποίησης/ απενεργοποίησης (9) στην θέση „ΣΤΟΠ“ ή „0“

Βήματα για απενεργοποίησης σε κανονική διαδικασία:

Αφήστε ελεύθερο το μοχλό γκαζιού (11) και περιμέντε μέχρι να έλθει ο κινητήρας στην ταχύτητα ρελαντί. Τότε βάλτε τον διακόπτη ενεργοποίησης/ απενεργοποίησης (9) στη θέση „ΣΤΟΠ“ ή „0“.

7.4 Υποδείξεις για την εργασία

Πριν τη χρήση της συσκευής δοκιμάστε όλες τις μεθόδους εργασίας με σβησμένο κινητήρα.

Προειδοποίηση: Να είστε εξαιρετικά προσεκτικοί στις εργασίες θερίσματος. Κατά τη διάρκεια της εργασίας σας να τηρείτε ελάχιστη απόσταση 30 μέτρων μεταξύ χειριστή και άλλων προσώπων ή ζώων.

Επέκταση του νήματος κοπής

Προσοχή! Μη χρησιμοποιείτε μεταλλικό σύρμα ή μεταλλικό σύρμα με πλαστικό μανδύα στο πηνίο νήματος. Αυτό μπορεί να προκαλέσει σοβαρούς τραυματισμούς στο χρήστη.

Για την επέκταση του νήματος κοπής (13) αφήστε το μοτέρ να λειτουργήσει με μέγιστο αριθμό στροφών ακουμπήστε το πηνίο του νήματος στο έδαφος. Το νήμα επεκτείνεται αυτόματα. Το μαχαίρι στην προστατευτικό κάλυμμα κόβει το νήμα στο επιτρεπόμενο μήκος (εικ. 9b).

Προσοχή: Να απομακρύνετε τακτικά όλα τα υπολείμματα γκαζόν και χόρτων για να αποφύγετε την υπερθέρμανση της συσκευής.

Υπολείμματα γκαζόν/χόρτων/και αγριόχορτων πιάνονται κάτω από το προστατευτικό κάλυμμα (εικ. 9c), έτσι παρεμποδίζεται η επαρκής ψύξη του σωλήνα της συσκευής. Απομακρύνετε προσεκτικά τα υπολείμματα με ένα κατασαβίδι ή με κάτι παρόμοιο.

Διάφορες μέθοδοι κοπής

Εάν έχει συναρμολογηθεί σωστά η συσκευή, κόβει αγριόχορτα και ψηλό γρασίδι σε δυσπρόσβατα σημεία, όπως π.χ. κατά μήκος πρασιών, τοίχων και θεμελίων, αλλά και γύρω από δένδρα. Μπορεί να χρησιμοποιηθεί και για θέρισμα και για καλύτερη προετοιμασία της βλάστησης ενός κήπου ή για καθαρισμό ορισμένης περιοχής μέχρι χαμηλά στο έδαφος.



Προσέξτε: Ακόμη και με προσεκτική χρήση το κόψιμο κοντά σε θεμέλια, πέτρινους ήτσιμεντένιους τοίχους κλπ. συνεπάγεται φθορά του νήματος πάνω από το κανονικό μέτρο.

Κόψιμο μπορντούρας / Θέρισμα (με πηνίο νήματος / μαχαίρι κοπής)

Κινήστε τη συσκευή σαν δρεπάνι από πλευρά σε πλευρά. Να κρατάτε την κοπτική μονάδα πάντα παράλληλο προς το έδαφος. Ελέγξτε την περιοχή και προσδιορίστε το επιθυμούμενο ύψος κοπής. Οδηγήστε και διατηρήστε το πηνίο νήματος στο επιθυμούμενο ύψος για ομοιόμορφο κόψιμο (εικ. 9d).

Χαμηλό κόψιμο (με πηνίο νήματος)

Να κρατάτε τη συσκευή με ελαφριά κλίση μπροστά σας, έτσι ώστε η κάτω πλευρά του πηνίου του νήματος να βρίσκεται πάνω από το έδαφος και το νήμα να πετυχαίνει το σωστό σημείο κοπής. Να κόβετε πάντα προς την κατεύθυνση μακριά από το σώμα σας. Μη τραβάτε τη συσκευή προς το μέρος σας.

Κόψιμο κοντά σε φράκτες/θεμέλια (με πηνίο νήματος)

Κατά το κόψιμο να πλησιάζετε αργά σε φράκτες από σύρμα ή ξύλο, σε πέτρινους τοίχους και θεμέλια για να κόβετε κοντά τους, χωρίς όμως να κτυπάτε με το νήμα στο εμπόδιο. Εάν το νήμα έλθει σε επαφή π.χ. με πέτρες, πέτρινους τοίχους ή θεμέλια, θα φθαρεί ή θα ξεφθίσει. Εάν το νήμα κτυπήσει πάνω σε φράκτη, θα κοπεί.

Κοπή γύρω από δέντρα (με πηνίο νήματος)

Εάν κόβετε γύρω από δέντρα, να τα πλησιάζετε αργά για να μην έλθει το νήμα σε επαφή με τον κορμό. Κόψετε γύρω από το δέντρο προσέχοντας να μην χτυπήσετε το δέντρο. Να πλησιάζετε γρασίδι ή αγριόχορτα με τη μύτη του νήματος και δώστε στο πηνίο του νήματος ελαφριά κλίση προς τα εμπρός.

Κοπή μέχρι το έδαφος (με πηνίο νήματος)

Κατά το θέρισμα κόβετε όλη τη βλάστηση μέχρι χαμηλά κάτω. Δώστε στο πηνίο νήματος κλίση 30 μοιρών προς τα δεξιά. Βάλτε τη λαβή στην επιθυμούμενη θέση (εικ. 9e).

Προσοχή! Προσέξτε τον αυξημένο κίνδυνο τραυματισμού καθώς και τον κίνδυνο υλικών ζημιών από εκσφενδονιζόμενα αντικείμενα (π.χ. πέτρες).

Προσοχή! Μην απομακρύνετε με τη συσκευή αντικείμενα από πεζοδρόμια κλπ.! Η συσκευή αυτή είναι ένα ισχυρό εργαλείο και μπορεί να εκσφενδονίσει μικρές πέτρες και άλλα αντικείμενα 15 μέτρα και περισσότερο προκαλώντας έτσι ζημιές σε αυτοκίνητα, σπίτια και παράθυρα.

Πριόνισμα

Η συσκευή δεν είναι κατάλληλη για πριόνισμα.

Μπλοκάρισμα

Εάν το μαχαίρι μπλοκάρει λόγω πυκνής βλάστησης, σβήστε αμέσως τον κινητήρα. Απαλλάξτε τη συσκευή από τα χόρτα και κλαδιά πριν την επαναενεργοποιήσετε.

Αποφυγή αντίκρουσης

Κατά την εργασία με το μαχαίρι κοπής υφίσταται κίνδυνος αντίκρουσης, όταν κτυπήσετε με τη συσκευή σε εμπόδια (κορμός δέντρου, κλαδί, ρίζα δέντρου, πέτρα ή παρόμοια). Η συσκευή εκσφενδονίζεται στην περίπτωση αυτή αντίθετα προς την κατεύθυνση



περιστροφής της κοπτικής μονάδας. Αυτό μπορεί να οδηγήσει στην απώλεια του ελέγχου επί της μηχανής. Μη χρησιμοποιείτε το μαχαίρι κοντά σε φράκτες, μεταλλικούς στήλους, πέτρες ή θεμέλια. Για να κόψετε χόρτα κοντά σε θάμνους με λεπτά κλαδιά, κρατήστε τη συσκευή όπως φαίνεται στην εικ. 9f για να αποφύγετε ενδεχόμενες αντικρούσεις.

8. Συντήρηση και παραγγελία ανταλλακτικών

Πριν από όλες τις εργασίες συντήρησης να απενεργοποιείτε πάντα τη συσκευή και να βγάξετε το βύσμα του μπουζί (36).

8.1 Αντικατάσταση πηνίου νήματος/ νήματος κοπής

1. Αποσυναρμολογείτε το πηνίο νήματος (13) όπως περιγράφεται στο εδάφιο 6.1.6. Συμπιέστε το πηνίο (εικ. 12a) και αφαιρέστε το ήμισυ του κέλυφους (εικ. 12b).
2. Αφαιρέστε το δίσκο του πηνίου (Κ) από το κέλυφος του πηνίου (εικ. 12c).
3. Αφαιρέστε ενδεχόμενα περίσσια νήματα.
4. Διπλώστε στη μέση το νέο νήμα και κρεμάστε τη δημιουργούμενη θηλιά στην εσοχή του δίσκου του πηνίου. (εικ. 12d)
5. Τυλίξτε αριστερόστροφα και σφικτά το νήμα. Το διαχωριστικό χωρίζει τα δύο μισά του νήματος. (εικ. 12e)
6. Κρεμάστε τα τελευταία 15 εκατοστά των δύο άκρων του νήματος στο απέναντι στήριγμα του νήματος στο δίσκο του πηνίου. (εικ. 12f)
7. Περάστε τις δύο άκρες του νήματος από τις μεταλλικές τρύπες του περιβλήματος του πηνίου νήματος. (εικ. 12c).
8. Πιέστε το δίσκο νήματος στο περίβλημα του πηνίου νήματος. (εικ. 12b).
9. Τραβήξτε σύντομα και δυνατά στις δύο άκρες του νήματος για να τις βγάλετε

- από τα στήριγματα του πηνίου νήματος.
10. Επαναενώστε τα δύο μισά τμήματα του περιβλήματος.
 11. Κόψτε το περίσσιο νήμα ώστε να έχει μήκος μόνο 13 εκ. Έτσι μειώνεται η επιβάρυνση του κινητήρα κατά την εκκίνηση και προθέρμανση.
 12. Επανατοποθετήστε το πηνίο νήματος (βλέπε εδάφιο 6.1.6). Εάν αντικατασταθεί ολόκληρο το πηνίο νήματος να μη λάβετε υπόψη σας τα εδάφια 3-6.

8.2 Εργασίες συντήρησης του φίλτρου του αέρα

Τα ακάθαρτα φίλτρα του αέρα μειώνουν την ισχύ του κινητήρα λόγω μειωμένης παροχής αέρα στο καρμπυρατέρ.

Για το λόγο αυτό είναι απαραίτητος ο συνεχής έλεγχος.

Το φίλτρο του αέρα (35) να ελέγχεται κάθε 25 ώρες λειτουργίας και να καθαρίζεται όταν χρειαστεί. Εάν ο αέρας είναι πολύ σκονισμένος, να ελέγχεται συχνότερα το φίλτρο του αέρα.

1. Απομακρύνετε το κάλυμμα του περιβλήματος του φίλτρου του αέρα (εικ. 10a / αρ. 8)
2. Αφαιρέστε το φίλτρο του αέρα (εικ. 10b/10c)
3. Καθαρίστε το φίλτρο του αέρα κτυπώντας το ή φυσώντας (με πεπιεσμένο αέρα).
4. Η συναρμολόγηση εκτελείται στην αντίστροφη σειρά.

Προσοχή: Ποτέ μην καθαρίζετε το φίλτρο του αέρα με βενζίνη ή εύφλεκτους διαλύτες.



8.3 Συντήρηση του μπουζί

Απόσταση ηλεκτροδίων = 0,6 mm (απόσταση μεταξύ των ηλεκτροδίων μεταξύ των οποίων δημιουργείται ο σπινθήρας ανάφλεξης). Σφίξτε το μπουζί με 12 έως 15 Nm με κλειδί σύσφιξης (θα το βρείτε στα ειδικά καταστήματα) Να ελέγξετε για πρώτη φορά το μπουζί μετά από 10 ώρες λειτουργίας για ακαθαρσίες και καθαρίστε το ενδεχομένως με χάλκινη συρματόβουρτσα.

Κατόπιν η συντήρηση του μπουζί να γίνεται κάθε 50 ώρες λειτουργίας.

1. Αποσυναρμολογήστε το προστατευτικό κάλυμμα (εικ. 10c/ αρ. 31) με ένα κατσαβίδι.
2. Για το σκοπό αυτό τραβήξτε το βύσμα του μπουζί (εικ. 1/αρ. 36).
3. Απομακρύνετε το μπουζί (εικ. 11b) με το συμπαραδιδόμενο κλειδί για το μπουζί (27).
4. Η συναρμολόγηση εκτελείται στην αντίστροφη σειρά.

8.4 Ακόνισμα του μαχαιριού του προστατευτικού καλύμματος

Το μαχαίρι του προστατευτικού καλύμματος (εικ. 7a / αρ. F) μπορεί να αμβλύνει με το διάστημα του χρόνου. Εάν διαπιστώσετε κάτι τέτοιο, ξεβιδώστε τις 2 βίδες με τις οποίες είναι στερεωμένο το μαχαίρι του προστατευτικού καλύμματος στο προστατευτικό κάλυμμα. Στερεώστε το μαχαίρι με μέγγενη. Προχίστε το μαχαίρι με πλακέ λίμα και προσέξτε να διατηρήσετε τη γωνία των άκρων κοπής. Να λιμάρετε μόνο προς μία κατεύθυνση.

8.5 Ρυθμίσεις καρμπυρατέρ

Προσοχή: Οι ρυθμίσεις στο καρμπυρατέρ επιτρέπεται να εκτελούνται μόνο από συμβεβλημένο συνεργείο εξυπηρέτησης πελατών.

Για όλες τις εργασίες στο καρμπυρατέρ πρέπει πρώτα να αποσυναρμολογηθεί το κάλυμμα του φίλτρου του αέρα όπως φαίνεται στην εικόνα 10a και 10b.

Ρύθμιση του σχοινού γκαζιού:

Εάν ο μέγιστος αριθμός στροφών της συσκευής δεν επιτυγχάνεται μετά από ορισμένο χρονικό διάστημα και εφόσον αποκλείονται όλες οι άλλες αιτίες σύμφωνα με το εδάφιο „Αποκατάσταση βλαβών“, μπορεί να χρειαστεί ρύθμιση του συρματόσχοινου.

Για το σκοπό αυτό ελέγξτε πρώτα εάν το καρμπυρατέρ ανοίγει τελείως όταν πιεστεί πλήρως το γκάζι. Αυτό συμβαίνει όταν ο σύρτης του καρμπυρατέρ (εικ. 13a/αρ.) F) είναι τελείως ανοικτός και συγχρόνως έχει γίνει χειρισμός του γκαζιού.

Από την εικόνα 13a προκύπτει η σωστή ρύθμιση. Εάν ο σύρτης του καρμπυρατέρ δεν είναι τελείως ανοικτός, χρειάζεται επαναρύθμιση.

Για την επαναρύθμιση του σχοινού του γκαζιού ακολουθήστε τα εξής βήματα:

- Ξεβιδώστε το παξιμάδι (εικ. 13b/αρ. C) με μερικές στροφές.
- Ξεβιδώστε τη βίδα στερέωσης (εικ. 13b/αρ. D) μέχρι να είναι τελείως ανοικτός ο σύρτης του καρμπυρατέρ με πλήρως πιεσμένο γκάζι, όπως φαίνεται στην εικόνα 13a.
- Μετά από την εκτέλεση της ρύθμισης σφίξτε πάλι το παξιμάδι.

Ρύθμιση ρελαντί:

Προσοχή! Ρυθμίστε το ρελαντί σε θερμή κατάσταση λειτουργίας.

Εάν η συσκευή σβήσει χωρίς να γίνει χειρισμός του γκαζιού και εφόσον αποκλεισθούν όλες οι αιτίες του εδαφίου „Αποκατάσταση βλαβών“, απαιτείται η ρύθμιση του ρελαντί. Για το σκοπό αυτό στρίψτε τη βίδα του γκαζιού ρελαντί (εικ. 13b/ αρ. E) δεξιόστροφα μέχρι να λειτουργεί η συσκευή καλά στη λειτουργία κενού. Εάν το γκάζι ρελαντί είναι έτσι ώστε να περιστρέφεται μαζί και η κοπτική μονάδα, πρέπει να ελαττωθεί με αριστερόστροφη περιστροφή της βίδας γκαζιού ρελαντί μέχρι να μην συμπεριστρέφεται πλέον η κοπτική μονάδα.

8.6 Λίπανση του κιβωτίου

Κάθε 20 ώρες λειτουργίας συμπληρώστε λιπαντικό για το κιβώτιο (περ. 10 gr). Για το σκοπό αυτό ανοίξτε τη βίδα H (εικ. 7c).

8.7 Προστασία περιβάλλοντος

Να παραδίδετε ακάθαρτα υλικά εργασιών συντήρησης και αναλώσιμα υλικά στα για το σκοπό αυτό λειτουργούντα κέντρα συλλογής.

Να παραδίδετε τα υλικά συσκευασίας, μέταλλα και πλαστικά υλικά για ανακύκλωση.

8.8 Παραγγελία ανταλλακτικών

Κατά την παραγγελία ανταλλακτικών να αναφέρετε τα εξής:

- Τύπος της συσκευής
- Αριθμός είδους της συσκευής
- Αριθμός ταύτισης της συσκευής

Θα βρείτε τις ισχύουσες τιμές και πληροφορίες στην ιστοσελίδα www.isc-gmbh.info

9. Φύλαξη και μεταφορά

9.1 Φύλαξη

Προσοχή: Ποτέ μην φυλάγετε ένα αλυσοπρίονο πάνω από 30 ημέρες χωρίς να λάβετε υπόψη σας τα ακόλουθα.

Φύλαξη της συσκευής

Εάν φυλάξετε τη συσκευή πάνω από 30 ημέρες, πρέπει να την προετοιμάσετε για το σκοπό αυτό. Σε αντίθετη περίπτωση εξατμίζεται το υπόλοιπο καύσιμο που βρίσκεται στο καρμπυρατέρ και παραμένει ένα λαστιχοειδές ίζημα.

Αυτό θα μπορούσε να φέρει δυσκολίες στην εκκίνηση και να έχει σαν συνέπεια πολυέξοδες επισκευές.

1. Να αφαιρείτε αργά το πώμα του καυσίμου για να διαφύγει ενδεχόμενος ατμός από το ντεπόζιτο. Αδειάστε προσεκτικά το ντεπόζιτο (6).
2. Βάλτε μπροστά τον κινητήρα και αφήστε τον να λειτουργήσει, μέχρι να

ακινητοποιηθεί, για να αφαιρέσετε το καύσιμο από το καρμπυρατέρ.

3. Αφήστε τον κινητήρα να κρυώσει (περ. 5 λεπτά)
4. Απομακρύντε το μπουζί (βλέπε εδάφιο 8.3).
5. Προσθέστε 1 κουτάλι του καφέ καθαρό λάδι δίχρονου κινητήρα στο θάλαμο καύσης. Τραβήξτε περισσότερες φορές το σχοινί εκκίνησης για την επίστρωση των εσωτερικών εξαρτημάτων με λάδι. Επανατοποθετήστε το μπουζί.

Υπόδειξη: Φυλάξτε τη συσκευή σε στεγνό χώρο μακριά από οποιεσδήποτε πηγές φωτιάς., π.χ. σόμπες/φούρνο, μπουίερ θερμού νερού με αέριο, στεγνωτήρα γκαζιού, κλπ.

Νέα θέση σε λειτουργία

1. Απομακρύντε το μπουζί (βλέπε εδάφιο 8.3).
2. Τραβήξτε γρήγορα το σχοινί εκκίνησης για να αφαιρέσετε επιπλέον λάδι από το θάλαμο καύσης.
3. Καθαρίστε το μπουζί και προσέξτε τη σωστή απόσταση ηλεκτροδίων στο μπουζί ή βάλτε το νέο μπουζί με τη σωστή απόσταση ηλεκτροδίων.
4. Προετοιμάστε τη συσκευή για τη λειτουργία.
5. Γεμίστε το ντεπόζιτο με το σωστό μίγμα λάδιού/μίγματος. Βλέπε το κεφάλαιο „Καύσιμο και λάδι“.

9.2 Μεταφορά

Όταν θέλετε να μεταφέρετε τη συσκευή, αδειάστε προηγουμένως το ντεπόζιτο βενζίνης όπως εξηγείται στο κεφάλαιο „Φύλαξη“. Καθαρίστε τη συσκευή με μία βούρτσα ή με ένα σκουπάκι από τις χοντρές ακαθαρσίες. Αποσυναρμολογήστε τη χειρολαβή και τη λόγχη οδήγησης όπως περιγράφεται στο εδάφιο 6.1.1 και 6.1.2.



10.Καθαρισμός

Πριν από όλες τις εργασίες συντήρησης να απενεργοποιείτε πάντα τη συσκευή και να βγάξετε το βύσμα του μπουζί.

- Μετά από κάθε χρήση να καθαρίζετε καλά τη συσκευή. Ιδιαίτερα την κοπτική μονάδα και τα προστατευτικά καλύμματα.
- Να διατηρείτε τις σχισμές αερισμού και το περίβλημα του μοτέρ όσο πιο καθαρά και ελεύθερα από σκόνη γίνεται. Σκουπίζετε τη συσκευή με ένα καθαρό πανί, ή καθαρίστε τη με πεπιεσμένο αέρα σε χαμηλή πίεση.
- Οι ακαθαρσίες και η χλόη αφαιρούνται πιο εύκολα αμέσως μετά την κοπή της χλόης.
- Να καθαρίζετε τη συσκευή τακτικά με ένα νωπό πανί και λίγο μαλακό σαπούνι. Μη χρησιμοποιείτε καθαριστικά ή διαλύτες, γιατί δεν αποκλείεται να καταστρέψουν τα πλαστικά τμήματα της συσκευής. Προσέξτε να μην περάσει νερό στο εσωτερικό της συσκευής.

11.Διάθεση στα απορρίμματα και επαναχρησιμοποίηση

Η συσκευή βρίσκεται σε μία συσκευασία προς αποφυγή ζημιών κατά τη μεταφορά. Αυτή η συσκευασία αποτελείται από πρώτες ύλες και έτσι μπορεί να επαναχρησιμοποιηθεί ή να ανακυκλωθεί. Η συσκευή και τα εξαρτήματά της αποτελούνται από διάφορα υλικά, όπως π.χ. μέταλλο και πλαστικά υλικά. Να παραδίδετε τα ελαττωματικά εξαρτήματα σε κέντρα συλλογής ειδικών απορριμμάτων. Το καύσιμο και τα λάδια να διατίθενται μόνο σε ειδικά κέντρα συγκέντρωση προβληματικών αποβλήτων. Ενημερωθείτε στα ειδικά καταστήματα ή στην διοίκηση της κοινότητας!

12.Αποκατάσταση βλάβης

Βλάβη	Ενδεχόμενη αιτία	Αποκατάσταση βλάβης
Δεν παίρνει μπροστά η συσκευή.	<ul style="list-style-type: none"> - Λάθος διαδικασία εκκίνησης. - Καπνισμένο ή υγρό μπουζί - Λάθος ρύθμιση καρμπυρατέρ 	<ul style="list-style-type: none"> - Ακολουθήστε τις οδηγίες για την εκκίνηση. - Καθαρίστε το μπουζί ή αντικαταστήστε το. - Συμβουλευθείτε συμβεβλημένο συνεργείο εξυπηρέτησης πελατών ή στείλτε τη συσκευή προς την ISC-GmbH.
Η συσκευή παίρνει μπροστά, αλλά δεν φτάνει την πλήρη ισχύ.	<ul style="list-style-type: none"> - Λάθος ρύθμιση του τσοκ (5). - Ακάθαρτο φίλτρο αέρα (35). - Λάθος ρυθμίσεις καρμπυρατέρ 	<ul style="list-style-type: none"> - Βάλτε το τσοκ στη θέση „ϕ”. - Καθαρισμός φίλτρου αέρα. - Συμβουλευθείτε συμβεβλημένο συνεργείο εξυπηρέτησης πελατών ή στείλτε τη συσκευή προς την ISC-GmbH.
Ανομοιόμορφη λειτουργία του μοτέρ.	<ul style="list-style-type: none"> - Λάθος απόσταση ηλεκτροδίων του μπουζί - Λάθος ρύθμιση καρμπυρατέρ 	<ul style="list-style-type: none"> - Καθαρίστε το μπουζί και ρυθμίστε την απόσταση των ηλεκτροδίων ή αντικαταστήστε το. - Συμβουλευθείτε συμβεβλημένο συνεργείο εξυπηρέτησης πελατών ή στείλτε τη συσκευή προς την ISC-GmbH.
Το μοτέρ καπνίζει υπερβολικά.	<ul style="list-style-type: none"> - Λάθος μείγμα καυσίμου. - Λάθος ρύθμιση καρμπυρατέρ 	<ul style="list-style-type: none"> - Χρησιμοποιήστε το σωστό μίγμα καυσίμου (βλέπε πίνακα ανάμιξης καυσίμου) - Συμβουλευθείτε συμβεβλημένο συνεργείο εξυπηρέτησης πελατών ή στείλτε τη συσκευή προς την ISC-GmbH.

13. Δήλωση Συμμόρφωσης

Einhell Germany AG · Wiesenweg 22 · D-94405 Landau/Isar



Konformitätserklärung

D erklärt folgende Konformität gemäß EU-Richtlinie und Normen für Artikel

GB explains the following conformity according to EU directives and norms for the following product

F déclare la conformité suivante selon la directive CE et les normes concernant l'article

I dichiara la seguente conformità secondo la direttiva UE e le norme per l'articolo

NL verklaart de volgende overeenstemming conform EU richtlijn en normen voor het product

E declara la siguiente conformidad a tenor de la directiva y normas de la UE para el artículo

P declara a seguinte conformidade, de acordo com a directiva CE e normas para o artigo

DK atterer følgende overensstemmelse i medfør af EU-direktiv samt standarder for artikel

S förklarar följande överensstämmelse enl. EU-direktiv och standarder för artikeln

FIN vakuuttaa, että tuote täyttää EU-direktiivin ja standardien vaatimukset

EE tõendab toote vastavust EL direktiivile ja standarditele

CZ vydává následující prohlášení o shodě podle směrnice EU a norem pro výrobek

SLO potrjuje sledečo skladnost s smernico EU in standardi za izdelek

SK vydáva nasledujúce prehlásenie o zhode podľa smernice EÚ a noriem pre výrobok

H a cikkekhez az EU-irányvonal és Normák szerint a következő konformitást jelenti ki

PL deklaruje zgodność wymienionego poniżej artykułu z następującymi normami na podstawie dyrektywy WE.

BG декларира съответното съответствие съгласно Директива на ЕС и норми за артикул

LV paskaidro šādu atbilstību ES direktīvai un standartiem

LT apibūdina šį atitikimą EU reikalavimams ir prekės normoms

RO declară următoarea conformitate conform directivei UE și normelor pentru articolul

GR δηλώνει την ακόλουθη συμμόρφωση σύμφωνα με την Οδηγία ΕΚ και τα πρότυπα για το προϊόν

HR potvrđuje sljedeću uskladenost prema smjernicama EU i normama za artikl

Izjava o sukladnosti za ovaj proizvod dostupna je na internet stranici www.lidl.hr.

BIH potvrđuje sljedeću uskladenost prema smjernicama EU i normama za artikl

RS potvrđuje sledeću uskladenost prema smernicama EZ i normama za artikal

RUS следующим удостоверяется, что следующие продукты соответствуют директивам и нормам ЕС

UKR проголошує про зазначену нижче відповідність виробу директивам та стандартам ЄС на виріб

MK ja izjavува следната сообразност согласно ЕУ-директивата и нормите за артикли

TR Ürünü ile ilgili AB direktifleri ve normlan gereğince aşağıda açıklanan uygunluğu belirtir

N erklærer følgende samsvar i henhold til EU-direktiv og standarder for artikkel

IS Lýsir uppfyllingu EU-reglna og annarra staðla vöru

Benzin-Sense FBS 43 A1 (Florabest)

87/404/EC_2009/105/EC

2005/32/EC_2009/125/EC

2006/95/EC

2006/28/EC

2004/108/EC

2004/22/EC

1999/5/EC

97/23/EC

90/396/EC_2009/142/EC

89/686/EC_96/58/EC

2011/65/EC

2006/42/EC

Annex IV

Notified Body:

Notified Body No.:

Reg. No.:

2000/14/EC_2005/88/EC

Annex V

Annex VI

Noise measured: $L_{WA} = 104,7$ dB (A); guaranteed $L_{WA} = 110$ dB (A)

$P = 1,35$ KW; $L/\varnothing =$ cm

Notified Body:

2006/28/EC

Emission No.: e11*97/68SA*2004/26*1181*00

Standard references: EN ISO 11806; EN ISO 14982

Landau/Isar, den 14.02.2012

Weichselgartner/General-Manager

Frank/Product-Management

First CE: 10

Art.No.: 34.019.95 I.No.: 11011

Subject to change without notice

Archive-File/Record: NAPR005246

Documents registrar: Robert Mayn

Wiesenweg 22, D-94405 Landau/Isar

14.Εγγύηση

Αξιότιμη πελάτσια, αξιότιμε πελάτη,

Τα προϊόντα μας υπόκεινται σε αυστηρούς ελέγχους ποιότητας. Εάν παρ' όλα αυτά κάποτε δεν λειτουργήσουν άψογα, λυπούμαστε πολύ και σας παρακαλούμε να αποτανθείτε προς το τμήμαμας Εξυπηρέτησης Πελατών, στη διεύθυνση που αναφέρετε σε αυτή την εγγύηση. Ευχαρίστως σας βοηθήουμε και τηλεφωνικώς στον αριθμό που αναφέρετε πιο κάτω. Για την κατίσχυση των αξιώσεων εγγύησης ισχύουν τα εξής:

1. Αυτοί οι όροι εγγύησης ρυθμίζουν πρόσθετες παροχές εγγύησης. Από την εγγύηση αυτή δεν θίγονται οι νόμιμες αξιώσεις σας για εγγύηση. Η παροχή της εγγύησής μας είναι για σας δωρεάν.
 2. Η εγγύηση καλύπτει αποκλειστικά και μόνο βλάβες που οφείλονται σε ελαττώματα υλικών ή παραγωγής και περιορίζονται στην αποκατάσταση αυτών των ελαττωμάτων ή την αντικατάσταση της συσκευής. Παρακαλούμε να προσέξετε πως οι συσκευές μας δεν προορίζονται για τη βιομηχανία, τη βιοτεχνία και την επαγγελματική χρήση. Για το λόγο αυτό δεν υφίσταται σύμβαση εγγύησης σε περίπτωση χρήσης της συσκευής στη βιομηχανία, βιοτεχνία, για επαγγελματικό ή άλλο παρόμοιο σκοπό. Από την εγγύησή μας αποκλείονται πέραν τούτου αποζημιώσεις για βλάβες μεταφοράς, βλάβες οφειλόμενες σε μη τήρηση της Οδηγίας συναρμολόγησης, ή σε εσφαλμένη εγκατάσταση, μη τήρηση της Οδηγίας χρήσης (π.χ. σύνδεση σε λάθος τάση δικτύου ή είδος ρεύματος), καταχρηστική ή όχι ορθή χρήση (π.χ. υπερφόρτωση ή χρήση μη εγκεκριμένων ανταλλακτικών εργαλείων ή εξαρτημάτων), μη τήρηση των Υποδείξεων συντήρησης και ασφαλείας, είσοδος ξένων αντικειμένων στη συσκευή (όπως π.χ. άμμος ή σκόνη), χρήση βίας ή εξωτερική επίδραση (όπως π.χ. βλάβες από πτώση) καθώς και βλάβες που οφείλονται σε κοινή φθορά. Αυτό ισχύει ιδιαίτερα για συσσωρευτές για τους οποίους παρ' όλα αυτά παρέχουμε εγγύηση 12 μηνών. Η αξίωση εγγύησης εκπίπτει σε περίπτωση που έγιναν ήδη ξένες επεμβάσεις στη συσκευή.
 3. Η διάρκεια της εγγύησης ανέρχεται σε 3 έτη και αρχίζει από την ημερομηνία αγοράς της συσκευής. Οι αξιώσεις εγγύησης πρέπει να κατισχυθούν πριν την πάροδο της προθεσμίας της εγγύησης εντός δύο εβδομάδων από την διαπίστωση του ελαττώματος. Αποκλείεται η κατίσχυση αξιώσεων εγγύησης μετά την πάροδο της προθεσμίας της εγγύησης. Η επισκευή ή η αντικατάσταση της συσκευής δεν συνεπάγεται ούτε την επέκταση της διάρκειας της εγγύησης ούτε την έναρξη νέας προθεσμίας εγγύησης για τη συσκευή ή τα ενδεχομένως τοποθετηθέντα εξαρτήματα. Το ίδιο ισχύει και σε περίπτωση σέρβις επί τόπου.
 4. Για την κατίσχυση της αξίωσης της εγγύησης σας παρακαλούμε να μας αποστείλετε τη συσκευή, χωρίς επιβάρυνσή μας με ταχυδρομικά τέλη, στην πιο κάτω αναφερόμενη διεύθυνση. Μη ξεχάσετε να επισυνάψετε το πρωτότυπο της απόδειξης αγοράς ή άλλο ισχύον αποδεικτικό αγοράς. Για το λόγο αυτό σας παρακαλούμε να φυλάξετε καλά την απόδειξη του ταμείου! Παρακαλούμε επίσης να μας περιγράψετε την αιτία για την διαμαρτυρία σας όσο πιο αναλυτικά γίνεται. Εάν το ελάττωμα της συσκευής σας καλύπτεται από την εγγύησή μας, είτε θα σας επιστραφεί ταχύτατα η επισκευασμένη συσκευή σας, είτε θα λάβετε μία νέα συσκευή.
- Φυσικά επισκευάζουμε ευχαρίστως έναντι αμοιβής και ελαττώματα στη συσκευή σας που δεν καλύπτονται ή δεν καλύπτονται πλέον από την εγγύηση. Για το σκοπό αυτό σας παρακαλούμε να αποστείλετε τη συσκευή σας στη διεύθυνση του τμήματος μας για Εξυπηρέτηση Πελατών.

EINHELL Hellas A. E.

Lasithiou Str. 4

14342 Nea Philadelphia

Tel. 0210 2776871, 0213 0069925 · Fax 0210 2776871

IAN 72317



Inhaltsverzeichnis

1. Einleitung	58
2. Sicherheitshinweise.....	58
3. Gerätebeschreibung und Lieferumfang	61
4. Bestimmungsgemäße Verwendung	61
5. Technische Daten	62
6. Vor Inbetriebnahme	63
7. Bedienung	64
8. Wartung und Ersatzteilbestellung	67
9. Lagerung und Transport.....	68
10. Reinigung.....	69
11. Entsorgung und Wiederverwertung	69
12. Fehlersuchplan	70
13. Konformitätserklärung	71
14. Garantiekunde.....	72



Der Nachdruck oder sonstige Vervielfältigung von Dokumentation und Begleitpapieren der Produkte, auch auszugsweise, ist nur mit ausdrücklicher Zustimmung der iSC GmbH zulässig.

Technische Änderungen vorbehalten



1. Einleitung

Herzlichen Glückwunsch zum Kauf Ihres neuen Gerätes.

Sie haben sich damit für ein hochwertiges Produkt entschieden. Die Bedienungsanleitung ist Bestandteil dieses Produkts. Sie enthält wichtige Hinweise für Sicherheit, Gebrauch und Entsorgung. Machen Sie sich vor der Benutzung des Produkts mit allen Bedien- und Sicherheitshinweisen vertraut. Benutzen Sie das Produkt nur wie beschrieben und für die angegebenen Einsatzbereiche. Händigen Sie alle Unterlagen bei Weitergabe des Produkts an Dritte mit aus.

2. Sicherheitshinweise

Warnung

Lesen Sie alle Sicherheitshinweise und Anweisungen. Versäumnisse bei der Einhaltung der Sicherheitshinweise und Anweisungen können elektrischen Schlag, Brand und/oder schwere Verletzungen verursachen.

Bewahren Sie alle Sicherheitshinweise und Anweisungen für die Zukunft auf.

Sicherheitsvorrichtungen

Beim Arbeiten mit dem Gerät muss die entsprechende Kunststoffschutzhaube für Messer- oder Fadenbetrieb montiert sein, um das Wegschleudern von Gegenständen zu verhindern. Das integrierte Messer in der Schnittfaden-Schutzhaube schneidet den Faden automatisch auf die optimale Länge ab.

Erklärung der Hinweisschilder auf dem Gerät (Abb. 14):

1. Warnung!
2. Vor Inbetriebnahme Bedienungsanleitung lesen!
3. Augen-/ Kopf- und Gehörschutz tragen!
4. Festes Schuhwerk tragen!
5. Schutzhandschuhe tragen!
6. Gerät vor Regen oder Nässe schützen!
7. Achten Sie auf weggeschleuderte Teile!
8. Vor Wartungsarbeiten Gerät abstellen und Zündkerzenstecker abziehen!

9. Der Abstand zwischen Gerät und umstehenden Personen muss mindestens 15 Meter betragen!
10. Schneidwerkzeug (Schnittmesser/Schnittfaden) läuft nach!
11. Achtung, heiße Teile. Abstand halten!
12. Ergänzen Sie alle 20 Betriebsstunden etwas Fett (Getriebefießfett)!

Sicherheitshinweise

- Lesen Sie die Bedienungsanleitung sorgfältig. Machen Sie sich mit den Einstellungen und dem richtigen Gebrauch des Gerätes vertraut.
- Erlauben Sie niemals anderen Personen, welche die Bedienungsanleitung nicht kennen, das Gerät zu benutzen. Örtliche Bestimmungen können das Mindestalter des Benutzers festlegen.
- Mähen Sie niemals während andere Personen, insbesondere Kinder oder Tiere, in der Nähe sind.

Warnung:

- Halten Sie einen Sicherheitsabstand von 15 m ein. Bei Annäherung stellen Sie das Gerät unverzüglich ab. Denken Sie daran, dass der Benutzer für Unfälle mit anderen Personen oder deren Eigentum verantwortlich ist.
- Achtung: Vergiftungsgefahr, Abgase, Kraftstoffe, und Schmierstoffe sind giftig, Abgase dürfen nicht eingeatmet werden.

Vor dem Gebrauch

- Während des Mähens sind immer festes Schuhwerk und lange Hosen zu tragen. Mähen Sie nicht barfuß oder in leichten Sandalen.
- Überprüfen Sie das Gelände, auf dem das Gerät eingesetzt wird und entfernen Sie alle Gegenstände, die erfasst und weggeschleudert werden können.
- Warnung: Benzin ist hochgradig entflammbar:
 - bewahren Sie Benzin nur in den dafür vorgesehenen Behältern auf.
 - tanken Sie nur im Freien und rauchen Sie nicht während des Einfüllvorganges.
 - Benzin ist vor dem Starten des Motors einzufüllen. Während der Motor läuft oder bei heißem Gerät darf der Tankverschluss nicht



geöffnet oder Benzin nachgefüllt werden.

- Falls Benzin übergelaufen ist, darf kein Versuch unternommen werden, den Motor zu starten. Stattdessen ist das Gerät von der benzinverschmutzten Fläche zu entfernen.

Jeglicher Zündversuch ist zu vermeiden, bis sich die Benzindämpfe verflüchtigt haben.

- Aus Sicherheitsgründen sind Benzintank und Tankverschlüsse bei Beschädigung auszutauschen.

- Ersetzen Sie defekte Schalldämpfer.
- Vor dem Gebrauch ist immer durch Sichtkontrolle zu prüfen, ob die Schneidwerkzeuge, Befestigungsbolzen und die gesamte Schneideinheit abgenutzt oder beschädigt sind. Zur Vermeidung einer Unwucht dürfen abgenutzte oder beschädigte Schneidwerkzeuge und Befestigungsbolzen nur satzweise ausgetauscht werden.

Handhabung

(Bedienung, Lagerung, Kontrolle)

- Tragen Sie anliegende Arbeitskleidung, die Schutz bietet, wie eine lange Hose, sichere Arbeitsschuhe, strapazierfähige Arbeitshandschuhe, einen Schutzhelm, eine Schutzmaske für das Gesicht oder eine Schutzbrille zum Schutz der Augen und gute Ohrwatte oder einen anderen Gehörschutz gegen den Lärm.
- Bewahren Sie das Gerät an einem sicheren Platz auf. Öffnen Sie den Benzintank langsam, um eventuellen Druck abzulassen, der sich im Tankdeckel gebildet hat. Um Brandgefahr vorzubeugen, entfernen Sie sich mindestens 3 Meter vom Auftankbereich, bevor Sie das Gerät anlassen.
- Schalten Sie das Gerät ab, bevor Sie es abstellen.
- Halten Sie das Gerät stets mit beiden Händen fest. Dabei sollen Daumen und Finger die Griffe umschließen.
- Achten Sie darauf, dass Schrauben und Verbindungselemente fest angezogen sind. Bedienen Sie das Gerät nie, wenn es nicht richtig eingestellt, nicht vollständig oder sicher zusammengesetzt ist.
- Achten Sie darauf, dass die Griffe trocken und sauber sind und keinerlei Benzingemisch daran haftet.
- Führen Sie die Fadenspule in der gewünschten Höhe. Vermeiden Sie es kleine Gegenstände (z. B. Steine) mit der Fadenspule zu berühren.
- Bei Mäharbeiten am Hang stehen Sie bitte stets unterhalb des Schneidwerkzeugs. Schneiden oder trimmen Sie niemals an einem glatten, rutschigen Hügel oder Abhang.
- Halten Sie jedes Körperteil und Kleidungsstück fern von der Fadenspule, wenn Sie den Motor anlassen oder laufen lassen. Bevor Sie den Motor anlassen, vergewissern Sie sich, dass die Fadenspule mit keinem Hindernis in Berührung kommt.
- Stellen Sie den Motor immer vor Arbeiten an dem Schneidwerkzeug ab.
- Lagern Sie das Gerät und Zubehör sicher und geschützt vor offenen Flammen und Hitze-/Funkenquellen, wie Gasdurchlauferhitzer, Wäschetrockner, Ölofen oder tragbare Radiatoren, etc..
- Halten Sie die Schutzhaube, die Fadenspule und den Motor bei der Lagerung immer frei von Mährückständen.
- Nur ausreichend geschulte Personen und Erwachsene dürfen das Gerät bedienen, einstellen und warten.
- Sind Sie mit dem Gerät nicht vertraut, üben Sie den Umgang bei nicht laufendem Motor.
- Vor dem Arbeiten das zu mähende Gelände überprüfen, feste Gegenstände wie Metallteile, Flaschen, Steine o.ä. können weggeschleudert werden und ernste Verletzungen beim Benutzer verursachen sowie das Gerät dauerhaft beschädigen. Sollten Sie aus Versehen einen festen Gegenstand mit dem Gerät berühren, schalten Sie den Motor sofort aus und untersuchen Sie das Gerät auf eventuelle Schäden. Benutzen Sie das Gerät niemals, wenn es beschädigt ist oder Mängel aufweist.
- Trimmen und schneiden Sie immer im oberen Drehzahlbereich. Lassen Sie den Motor zu Beginn des Mähens oder während des Trimmens nicht in niedriger Drehzahl laufen.
- Benutzen Sie das Gerät nur zum vorgesehenen Zweck, wie trimmen und Unkraut mähen.
- Halten Sie die Fadenspule niemals über Knie-

höhe, wenn das Gerät in Betrieb ist.

- Benutzen Sie das Gerät nicht, wenn Zuschauer oder Tiere sich in unmittelbarer Nähe befinden. Halten Sie während der Mäharbeiten einen Mindestabstand von 15 Meter zwischen Benutzer und anderen Personen oder Tieren. Bei Abmäharbeiten bis zum Boden halten Sie bitte einen Mindestabstand von 30 Meter.

Zusätzliche Hinweise

- Keinen anderen Treibstoff verwenden als den in der Bedienungsanleitung empfohlenen. Befolgen Sie stets die Anweisungen im Abschnitt „Treibstoff und Öl“ dieser Anleitung. Verwenden Sie kein Benzin, das nicht richtig mit 2-Takt-Motoröl gemischt ist. Es besteht sonst die Gefahr eines bleibenden Schadens am Motor, wodurch die Garantie des Herstellers entfällt.
- Nicht rauchen, während Sie das Gerät auf-tanken oder betätigen.
- Bedienen Sie das Gerät nicht ohne Auspuff.
- Den Auspuff nicht berühren, weder mit den Händen noch mit dem Körper. Halten Sie das Gerät so, dass Daumen und Finger die Griffe umschließen.
- Das Gerät nicht in unbequemer Stellung, nicht bei fehlendem Gleichgewicht, mit aus-gestreckten Armen oder nur mit einer Hand bedienen. Nehmen Sie zur Bedienung stets beide Hände, und umschließen Sie dabei die Griffe mit Daumen und Fingern.
- Halten Sie die Fadenspule stets auf dem Bo-den, wenn das Gerät in Betrieb ist.
- Benutzen Sie das Gerät nur zum vorgesehe-nen Zweck, wie Rasentrimmen und Mäharbei-ten.
- Benutzen Sie das Gerät nicht über einen längeren Zeitraum, machen Sie regelmäßig Pausen.
- Das Gerät nicht unter Alkohol- oder Drogen-einfluss betätigen.
- Das Gerät nur benutzen, wenn die entspre-chende Schutzhaube installiert und in gutem Zustand ist.
- Jegliche Veränderungen an dem Produkt kön-nen die persönliche Sicherheit gefährden und lassen die Herstellergarantie verfallen.

- Benutzen Sie das Gerät niemals in der Nähe von leicht entflammaren Flüssigkeiten oder Gasen, weder in geschlossenen Räumen noch im Freien. Explosionen und/ oder Brand kön-nen die Folge sein.
- Verwenden Sie keine anderen Schneidwerk-zeuge. Zu Ihrer eigenen Sicherheit verwenden Sie nur Zubehör und Zusatzgeräte, die in der Bedienungsanleitung angegeben oder vom Hersteller empfohlen oder angegeben werden. Der Gebrauch anderer als der in der Bedienungsanleitung empfohlenen Schneid-werkzeuge oder Zubehöre kann eine persön-liche Verletzungsgefahr für Sie bedeuten.

Sicherheitsmaßnahmen beim Umgang mit dem Schnittmesser

- Befolgen Sie alle Warnungen und Anweisun-gen zu Betrieb und Schnittmesser-Montage.
- Das Schnittmesser kann ruckartig von Gegen-ständen weggeschleudert werden, wenn es diese nicht Durchschneiden/-mähen kann. Dies kann zu Verletzungen von Armen oder Beinen führen. Halten Sie umstehende Per-sonen und Tiere mindestens 15 Meter in alle Richtungen vom Arbeitsplatz entfernt. Sollte das Gerät auf Fremdkörper treffen, stoppen Sie den Motor sofort und warten Sie bis das Schnittmesser zum Stillstand gekommen ist. Überprüfen Sie das Schnittmesser auf Schä-den. Ersetzen Sie das Schnittmesser immer, wenn es verbogen oder gerissen ist.
- Das Schnittmesser schleudert Gegenstände heftig weg. Dies kann Erblindung oder Ver-letzungen verursachen. Tragen Sie Augen-, Gesichts- und Beinschutz. Entfernen Sie Ge-genstände immer aus dem Arbeitsbereich, bevor Sie das Schnittmesser einsetzen.
- Kontrollieren Sie Ihr Gerät und Anbauten vor jedem Benutzen sorgfältig auf Beschädigun-gen. Benutzen Sie das Gerät nicht, wenn nicht alle Schnittmesseranbauten ordnungsgemäß installiert sind.
- Das Schnittmesser läuft aus, wenn der Gas-hebel losgelassen wurde. Ein auslaufendes Schnittmesser kann Ihnen oder Umstehenden Schnittverletzungen zufügen. Bevor Sie am Schnittmesser irgendwelche Arbeiten vorneh-

men, stellen Sie den Motor ab, und vergewissern Sie sich, dass das Schnittmesser zum Stillstand gekommen ist.

- Gefahrenzone von 15 Metern Durchmesser. Umstehende Personen können Erblindung oder Verletzungen erleiden. Halten Sie in allen Richtungen einen Abstand von 15 Metern zwischen sich und anderen Personen oder Tieren ein.

3. Gerätebeschreibung und Lieferumfang

3.1 Gerätebeschreibung (Abb. 1-13)

1. Verbindungsstück Führungsholm
2. Führungsholm
3. Führungshandgriff
4. Starterleine / Startseilzug
5. Choke-Hebel
6. Benzintank
7. Kraftstoffpumpe „Primer“
8. Abdeckung Luffiltergehäuse
9. Ein-/Aus- Schalter
10. Arretierung Gashebel
11. Gashebel
12. Gashebelsperre
13. Fadenspule mit Schnitffaden
14. Schnitffaden-Schutzhaube
15. Schnittmesser-Schutzhaube
16. 4x Schraube M5
17. Tragegurt
- 18a. Schnittmesser (4 Zahn)
- 18b. Schnittmesser (3 Zahn)
19. Halterung Führungshandgriff
20. Griffschraube M8
21. Beilagscheibe Ø 8mm
22. Mitnehmerscheibe
23. Druckplatte
24. Abdeckung Druckplatte
25. Mutter M10 (Linksgewinde)
26. Öl/Benzinmischflasche
27. Zündkerzenschlüssel
28. Gabelschlüssel 8/10mm
29. Sechskantschlüssel 4 mm
30. Sechskantschlüssel 5 mm
31. Schutzkappe für Zündkerzenstecker
32. Griffschraube M6

33. Mutter M6
34. Beilagscheibe Ø 6mm
35. Luffilter
36. Zündkerzenstecker

Schnittmesser (18a/18b) und Fadenspule (13) werden im Text auch als Schneidwerkzeug (als Oberbegriff) zusammengefasst.

3.2 Lieferumfang

- Öffnen Sie die Verpackung und nehmen Sie das Gerät vorsichtig aus der Verpackung.
- Entfernen Sie das Verpackungsmaterial sowie Verpackungs- / und Transportsicherungen (falls vorhanden).
- Überprüfen Sie, ob der Lieferumfang vollständig ist.
- Kontrollieren Sie das Gerät und die Zubehörteile auf Transportschäden.
- Bewahren Sie die Verpackung nach Möglichkeit bis zum Ablauf der Garantiezeit auf.

Achtung

Gerät und Verpackungsmaterial sind kein Kinderspielzeug! Kinder dürfen nicht mit Kunststoffbeuteln, Folien und Kleinteilen spielen! Es besteht Erstickungsgefahr!

4. Bestimmungsgemäße Verwendung

Das Gerät (Verwendung des Schnittmessers) eignet sich zum Schneiden von hohem Gras und leichtem Gestrüpp mit dem 4-Zahn-Messer und für dichtes Gestrüpp und schwache Holzgewächse mit dem 3-Zahn-Messer.

Das Gerät (Verwendung der Fadenspule mit Schnitffaden) eignet sich zum Schneiden von Rasen und leichtem Unkraut. Die Einhaltung der vom Hersteller beigefügten Bedienungsanleitung ist Voraussetzung für den ordnungsgemäßen Gebrauch des Gerätes. Jede andere Verwendung, die in dieser Anleitung nicht ausdrücklich zugelassen wird, kann zu Schäden am Gerät führen und eine ernsthafte Gefahr für den Benutzer darstellen. Beachten Sie unbedingt die Einschränkungen in den Sicherheitshinweisen.

Bitte beachten Sie, dass unsere Geräte bestimmungsgemäß nicht für den gewerblichen, handwerklichen oder industriellen Einsatz konstruiert wurden. Wir übernehmen keine Gewährleistung, wenn das Gerät in Gewerbe-, Handwerks- oder Industriebetrieben, sowie bei gleichzusetzenden Tätigkeiten eingesetzt wird.

Achtung! Wegen körperlicher Gefährdung des Benutzers darf das Gerät nicht zu folgenden Arbeiten eingesetzt werden: zum Reinigen von Gehwegen und als Häcksler zum Zerkleinern von Baum- und Heckenabschnitten. Ferner darf das Gerät nicht zum Einebnen von Bodenerhebungen, wie z.B. Maulwurfshügel verwendet werden. Aus Sicherheitsgründen darf das Gerät nicht als Antriebsaggregat für andere Geräte jeglicher Art verwendet werden.

Das Gerät darf nur nach seiner Bestimmung verwendet werden. Jede weitere darüber hinausgehende Verwendung ist nicht bestimmungsgemäß. Für daraus hervorgerufene Schäden oder Verletzungen aller Art haftet der Benutzer/Bediener und nicht der Hersteller.

5. Technische Daten

Motortyp	2-Takt-Motor, luftgekühlt, Chromzylinder
Motorleistung (max.)	1,35 kW/ 1,8 PS
Hubraum	42,7 ccm
Leerlaufdrehzahl Motor.....	3000 min ⁻¹
Max. Drehzahl Motor	
mit Messer:	9000 min ⁻¹
mit Fadenspule:	8400 min ⁻¹
Max. Schnittgeschwindigkeit	
mit Messer:	6800 min ⁻¹
mit Fadenspule:	6300 min ⁻¹
Zündung.....	Elektronisch
Antrieb	Zentrifugalkupplung
Gewicht (leerer Tank)	7,5 kg
Schnittkreis-Faden Ø	41 cm
Schnittkreis-Messer Ø	23 cm
Fadenlänge	8,0 m
Faden-Ø	2,0 mm
Tankinhalt.....	0,8 l
Zündkerze.....	Champion RCJ6Y
Kraftstoffverbrauch bei	
max. Motorleistung	0,6 kg/h
spezifischer Kraftstoffverbrauch	
bei max. Motorleistung	446 g/kWh

Geräusch und Vibration

Schalldruckpegel L _{pA}	98 dB(A)
Unsicherheit K _{pA}	1,5 dB
Schallleistungspegel L _{WA}	110 dB(A)
Unsicherheit K _{WA}	1,5 dB

Tragen Sie einen Gehörschutz.

Die Einwirkung von Lärm kann Gehörverlust bewirken.

Betrieb

Schwingungsemissionswert a_h = 4,1 m/s²
 Unsicherheit K = 1,5 m/s²

Beschränken Sie die Geräusentwicklung und Vibration auf ein Minimum!

- Verwenden Sie nur einwandfreie Geräte.
- Warten und reinigen Sie das Gerät regelmäßig.
- Passen Sie Ihre Arbeitsweise dem Gerät an.
- Überlasten Sie das Gerät nicht.
- Lassen Sie das Gerät gegebenenfalls überprüfen.
- Schalten Sie das Gerät aus, wenn es nicht benutzt wird.
- Tragen Sie Handschuhe.

6. Vor Inbetriebnahme

6.1 Montage

6.1.1 Montage des Führungshandgriffes (Abb. 3a-3c)

Montieren Sie den Führungshandgriff (3) wie in den Abbildungen 3a-3c dargestellt. Ziehen Sie die Schraube (20) erst dann ganz fest, wenn Sie die optimale Arbeitsposition mit dem Tragegurt (17) eingestellt haben (siehe hierzu auch Abschnitt 6.2). Der Führungshandgriff sollte wie in Abbildung 1 dargestellt ausgerichtet werden. Die Demontage erfolgt umgekehrt.

6.1.2 Montage Führungsholm (Abb. 4a – 4c)

Schieben Sie die Griffschraube (32) durch die Beilagscheibe (34) in das Verbindungsstück des Führungsholms (1). Verschrauben Sie die Griffschraube locker mit der Mutter (33). Drücken Sie nun den Arretierhebel (A) und schieben Sie vorsichtig den Führungsholm (Abb. 4a/ Pos. 2) in das Verbindungsstück des Führungsholms. Achten Sie dabei darauf, dass die Antriebswellen im Inneren des Führungsholms ineinander gleiten, gegebenenfalls leicht an der Fadenspule (13) / dem Schnittmesser (18a/18b) drehen. Die Nase des Arretierhebels (A) muss in das Loch (B) einrasten. Ziehen Sie nun die Griffschraube, wie in Abbildung 4c an. Zur Demontage braucht die Griffschraube nur gelockert und der Arretierhebel betätigt werden.

6.1.3 Montage der Schnittmesser-Schutzhaube

Achtung: Beim Arbeiten mit dem Schnittmesser muss die Schnittmesser-Schutzhaube (15) montiert sein.

Die Montage der Schnittmesser-Schutzhaube erfolgt wie in den Abbildungen 5a-5b dargestellt.

6.1.4 Montage/Ersetzen des Schnittmessers

Die Montage des Schnittmessers (18a/18b) ist auf den Bildern 6a-6g zu sehen. Die Demontage erfolgt in umgekehrter Reihenfolge.

- Mitnehmerscheibe (22), wie in Abbildung 6b, auf die Zahnwelle stecken.
- Schnittmesser (18a/18b) auf der Mitnehmerscheibe arretieren (Abb. 6c)
- Druckplatte (23) über das Gewinde der Zahnwelle stecken (Abb. 6d)
- Abdeckung Druckplatte (24) aufstecken (Abb. 6e)
- Die Bohrung der Mitnehmerscheibe suchen, mit der darunter liegenden Kerbe überein bringen und mit dem mitgelieferten Sechskantschlüssel (29) arretieren, um nun die Mutter (25) mit dem Zündkerzenschlüssel (27) anzuziehen (Abb. 6f/6g). Achtung: Linksgewinde
- Die Schnittmesser (18a/18b) sind bei der Auslieferung mit Plastikschutzkappen versehen. Diese vor dem Gebrauch entfernen und danach wieder anbringen.

6.1.5 Montage der Schnitffaden-Schutzhaube an der Schnittmesser-Schutzhaube

Achtung: Beim Arbeiten mit dem Schnitffaden muss zusätzlich die Schnitffaden-Schutzhaube (14) montiert werden.

Die Montage der Schnitffaden-Schutzhaube erfolgt wie in den Abbildungen 7a – 7b dargestellt. Achten Sie darauf, dass die Schnitffaden-Schutzhaube richtig einrastet. An der Unterseite der Schutzhaube befindet sich ein Messer (Abb. 7a/ Pos. F) für die automatische Fadenlängeneinstellung. Dieses ist mit einem Schutz (Abb. 7a/ Pos.G) abgedeckt.

Entfernen Sie diesen Schutz vor Arbeitsbeginn und bringen Sie diesen nach dem Arbeiten wieder an.

6.1.6 Montage/ Ersetzen der Fadenspule

Die Montage der Fadenspule (13) ist auf dem Bild 7c zu sehen. Die Demontage erfolgt umgekehrt. Die Fadenspule ist bei der Auslieferung bereits montiert.

Die Bohrung der Mitnehmerscheibe (22) suchen, mit der darunter liegenden Kerbe überein bringen und mit dem mitgelieferten Sechskantschlüssel (29) arretieren, um nun die Fadenspule auf das Gewinde zu schrauben. **Achtung:** Linksgewinde

6.2 Einstellen der Schnitthöhe

- Tragegurt (17) wie in Abbildung 8a-8c dargestellt anlegen.
- Das Gerät am Tragegurt einhaken (Abb. 8d).
- Mit den verschiedenen Gurtverstellern am Tragegurt optimale Arbeits- und Schnittposition einstellen (Abb. 8e).
- Um die optimale Tragegurtlänge festzustellen, machen Sie anschließend einige Schwingbewegungen ohne den Motor anzulassen (Abb. 9a).

Der Tragegurt ist mit einem Schnellöffnungsmechanismus ausgestattet. Ziehen Sie, falls es notwendig ist das Gerät schnell abzulegen, an dem roten Gurtstück (Abb. 8f).

Achtung: Benutzen Sie den Gurt immer, wenn Sie mit dem Gerät arbeiten. Bringen Sie den Gurt an, sobald Sie den Motor gestartet haben und er im Leerlauf läuft. Schalten Sie den Motor aus, bevor Sie den Tragegurt abnehmen.

6.3 Treibstoff und Öl

Empfohlene Treibstoffe

Benutzen Sie nur ein Gemisch aus bleifreiem Benzin und speziellem 2-Takt-Motoröl. Mischen Sie das Treibstoffgemisch nach der Treibstoff-Mischtabelle an.

Achtung: Verwenden Sie kein Treibstoffgemisch, welches mehr als 90 Tage gelagert wurde.

Achtung: Verwenden Sie kein 2-Takt-Öl das ein Mischverhältnis von 100:1 empfiehlt. Bei Moto-

renschäden auf Grund ungenügender Schmierung entfällt die Motorgarantie des Herstellers.

Achtung: Verwenden Sie zum Transport und zur Lagerung von Kraftstoff nur dafür vorgesehene und zugelassene Behälter.

Geben Sie jeweils die richtige Menge Benzin und 2-Takt-Öl in die beiliegende Mischflasche (siehe aufgedruckte Skala). Schütteln Sie anschließend den Behälter gut durch.

6.4 Treibstoff-Mischtabelle

Mischverfahren: 40 Teile Benzin auf 1 Teil Öl

Benzin	2-Takt-Öl
1 Liter	25 ml
5 Liter	125 ml

7. Bedienung

Beachten Sie bitte die gesetzlichen Bestimmungen zur Lärmschutzverordnung, die örtlich unterschiedlich sein können.

Prüfen Sie das Gerät vor jeder Inbetriebnahme auf:


- Dichtheit des Treibstoffsystems.
- Einwandfreien Zustand und Vollständigkeit der Schutzeinrichtungen und der Schnittvorrichtung.
- Festen Sitz sämtlicher Verschraubungen.
- Leichtgängigkeit aller beweglichen Teile.

7.1 Starten bei kaltem Motor

Füllen Sie den Tank mit Benzin/Öl-Gemisch. Siehe auch "Treibstoff und Öl".

1. Gerät auf eine harte, ebene Fläche stellen.
2. Kraftstoffpumpe (Primer) (Abb. 1/Pos. 7) 10x drücken.
3. Ein-/ Aus-Schalter (Abb. 1/Pos. 9) auf „I“ schalten.
4. Gashebel (Abb. 1/Pos. 11) feststellen. Hierzu Gashebelsperre (Abb. 1/Pos. 12) und anschließend Gashebel (Abb. 1/Pos. 11) betätigen und durch gleichzeitiges Drücken der Arretierung (Abb. 1/Pos. 10) den Gashebel feststellen.



5. Choke-Hebel (Abb. 1/Pos. 5) auf „“ stellen.
6. Das Gerät gut festhalten und die Starterleine (Abb. 1/Pos. 4) bis zum ersten Widerstand herausziehen. Jetzt den Startseilzug 4x rasch anziehen. Das Gerät sollte starten.

Achtung: Die Starterleine nicht zurückschleudern lassen. Dies kann zu Beschädigungen führen.

Achtung: Durch den festgestellten Gashebel beginnt das Schneidwerkzeug bei startendem Motor zu arbeiten.

Anschließend Gashebel durch einfaches Betätigen entriegeln. Gleichzeitig wird durch das Betätigen des Gashebels der Choke-Hebel entriegelt. (Der Motor kehrt in den Leerlauf zurück).

7. Sollte der Motor nicht starten, wiederholen Sie die Schritte 4-6.
Zur Beachtung: Springt der Motor auch nach mehreren Versuchen nicht an, lesen Sie den Abschnitt „Fehlerbehebung“.
Zur Beachtung: Ziehen Sie den Startseilzug stets gerade heraus. Wird dieser in einem Winkel herausgezogen, entsteht Reibung an der Öse. Durch diese Reibung wird die Starterleine durchgescheuert und nutzt sich schneller ab. Halten Sie stets den Startseilzug, wenn sich die Starterleine wieder einzieht. Lassen Sie die Starterleine nie aus dem ausgezogenen Zustand zurückschnellen.

7.2 Starten bei warmem Motor

(Das Gerät stand für weniger als 15-20 Minuten still)

1. Gerät auf harte, ebene Fläche stellen.
2. Ein-/Aus-Schalter auf (Abb. 1 / Pos. 9) „I“ schalten.
3. Gashebel (Abb. 1 / Pos. 11) feststellen (analog „Starten bei kaltem Motor“).
4. Gerät gut festhalten und die Starterleine bis zum ersten Widerstand herausziehen. Jetzt die Starterleine rasch anziehen. Das Gerät sollte nach 1-2 Zügen starten. Falls das Gerät nach 6 Zügen immer noch nicht startet, wiederholen Sie die Schritte 1-7 unter „kalten Motor“ starten.

7.3 Motor abstellen

Not-Aus Schrittfolge:

Falls es notwendig ist, das Gerät sofort anzuhalten, stellen Sie hierzu den Ein-/Aus-Schalter (9) auf „Stop“ bzw. „0“

Normale Schrittfolge:

Lassen Sie den Gashebel (11) los und warten Sie bis der Motor in Leerlaufgeschwindigkeit übergegangen ist. Stellen Sie dann den Ein-/Aus-Schalter (9) auf „Stop“ bzw. „0“.

7.4 Arbeitshinweise

Trainieren Sie vor Einsatz des Gerätes sämtliche Arbeitstechniken bei abgestelltem Motor.

Warnung: Seien Sie überaus vorsichtig bei Abmäharbeiten. Halten Sie bei solchen Arbeiten einen Abstand von 30 Metern zwischen sich und anderen Personen oder Tieren ein.

Verlängerung des Schnitfadens

Warnung! Benutzen Sie keinen Metalldraht oder kunststoffumhüllten Metalldraht irgendeiner Art in der Fadenspule. Dies kann zu schweren Verletzungen beim Benutzer führen.

Zur Verlängerung des Schnitfadens (13) lassen Sie den Motor auf Vollgas laufen und tippen Sie die Fadenspule auf den Boden. Der Faden wird automatisch verlängert. Das Messer an der Schutzhaube kürzt den Faden auf die zulässige Länge (Abb. 9b).

Vorsicht: Entfernen Sie regelmäßig alle Rasen- und Unkrautreste um ein Überhitzen des Gerätes zu vermeiden.

Rasen-/Gras-/Unkrautreste verfangen sich unterhalb der Schutzhaube (Abb. 9c), dies verhindert eine ausreichende Kühlung des Gerätes. Entfernen Sie die Reste vorsichtig mit einem Schraubenzieher oder dergleichen.

Verschiedene Schnittverfahren

Ist das Gerät richtig montiert, schneidet es Unkraut und hohes Gras an schwer zugänglichen Stellen, wie z.B. entlang von Zäunen, Mauern und Fundamenten sowie um Bäume herum. Es lässt sich auch für „Abmäharbeiten“ einsetzen, um Vegetation zur besseren Vorbereitung eines Gartens oder zum Ausputzen eines bestimmten Bereiches bodennah zu entfernen.

Zur Beachtung: Auch bei sorgfältiger Anwendung hat das Schneiden an Fundamenten, Stein- oder Betonmauern usw. eine über der normal liegende Abnutzung des Fadens zur Folge.

Trimmen/ Mähen (mit Fadenspule/Schnittmesser)

Schwingen Sie das Gerät in sichelartiger Bewegung von Seite zu Seite. Halten Sie das Schneidwerkzeug stets parallel zum Boden. Überprüfen Sie das Gelände und legen Sie die gewünschte Schnitthöhe fest. Führen und halten Sie das Schneidwerkzeug in der gewünschten Höhe, zwecks gleichmässigem Schnitt (Abb. 9d).

Niedriges Trimmen (mit Fadenspule)

Halten Sie das Gerät mit einer leichten Neigung genau vor sich, so dass sich die Unterseite der Fadenspule über dem Boden befindet und der Faden die richtige Schnittstelle trifft. Schneiden Sie immer von sich weg. Ziehen Sie das Gerät nicht zu sich hin.

Schneiden an Zaun/ Fundament (mit Fadenspule)

Nähern Sie sich langsam Maschendraht-zäunen, Lattenzäunen, Natursteinmauern und Fundamenten, um nah daran zu schneiden, ohne jedoch mit dem Faden gegen das Hindernis zu schlagen. Kommt der Faden z.B. mit Steinen, Steinmauern oder Fundamenten in Berührung, nutzt er sich ab oder franst aus. Schlägt der Faden gegen Zaungeflecht, bricht er ab.

Trimmen um Bäume (mit Fadenspule)

Trimmen Sie um Baumstämme, nähern Sie sich langsam, damit der Faden die Rinde nicht berührt. Gehen Sie um den Baum herum und achten Sie darauf den Baum nicht zu beschädigen. Nähern Sie sich Gras oder Unkraut mit der Spitze des Fadens, und kippen Sie die Fadenspule leicht nach vorn.

Abmähen (mit Fadenspule)

Beim Abmähen erfassen Sie die gesamte Vegetation bis zum Grund. Dazu neigen Sie die Fadenspule im 30 Grad Winkel nach rechts. Stellen Sie den Handgriff in die gewünschte Position (Abb. 9e).

Achtung! Erhöhte Verletzungsgefahr des Benutzers, der Zuschauer und Tiere, sowie die Gefahr der Sachbeschädigung durch weggeschleuderte Objekte (z.B. Steine).

Achtung! Entfernen Sie mit dem Gerät keine Gegenstände von Fußwegen usw.!

Die Benzinmotor-Sense ist ein kraftvolles Gerät und kleine Steine oder andere Gegenstände können 15 Meter und mehr weggeschleudert werden und zu Verletzungen oder Beschädigungen an Autos, Häusern und Fenstern führen.

Sägen

Das Gerät ist nicht zum Sägen geeignet.

Verklemmen

Sollte das Schneidwerkzeug wegen zu dichter Vegetation blockieren stellen Sie unverzüglich den Motor ab. Befreien Sie das Gerät von Gras und Gestrüpp, bevor Sie es erneut in Betrieb nehmen.

Vermeiden von Rückschlag

Beim Arbeiten mit dem Schnittmesser besteht die Gefahr des Rückschlages, wenn dieses auf feste Hindernisse (Baumstamm, Ast, Baumstumpf, Stein oder dergleichen) trifft. Das Gerät wird dabei gegen die Drehrichtung des Schneidwerkzeugs zurückgeschleudert. Dies kann zum Verlust der Kontrolle über das Gerät führen. Benutzen Sie das Schnittmesser nicht in der Nähe von Zäunen, Metallpfosten, Grenzsteinen oder Fundamenten. Zum Schneiden von schwachem Holzgewächs

positionieren Sie das Gerät wie in Abb. 9f dargestellt, um Rückschläge zu vermeiden.

8. Wartung und Ersatzteilbestellung

Schalten Sie das Gerät vor Wartungsarbeiten immer aus und ziehen Sie den Zündkerzenstecker (36) ab.

8.1 Ersetzen von Fadenspule/Schnittfaden

1. Die Fadenspule (13), wie in Abschnitt 6.1.6 beschrieben, demontieren. Die Spule zusammendrücken (Abb. 12a) und eine Gehäusehälfte abnehmen (Abb. 12b).
2. Spulenteller (K) aus dem Fadenspulengehäuse entnehmen (Abb. 12c).
3. Evtl. noch vorhandenen Schnittfaden entfernen.
4. Neuen Schnittfaden in der Mitte zusammenlegen und die entstandene Schlaufe in die Ausparung des Spulentellers einhängen. (Abb. 12d)
5. Faden unter Spannung gegen den Uhrzeigersinn aufwickeln. Der Spulenteiler trennt dabei die beiden Hälften des Schnittfadens. (Abb. 12e)
6. Die letzten 15 cm der beiden Fadenenden in die gegenüberliegenden Fadenhalter des Spulentellers einhaken. (Abb. 12f)
7. Die beiden Fadenenden durch die Metallösen im Fadenspulen-Gehäuse führen (Abb. 12c).
8. Spulenteller in das Fadenspulen-Gehäuse drücken (Abb. 12b).
9. Kurz und kräftig an beiden Fadenenden ziehen um diese aus den Fadenhaltern zu lösen.
10. Fügen Sie die Gehäusehälften wieder zusammen.
11. Überschüssigen Faden auf etwa 13 cm zurückschneiden. Das verringert die Belastung auf den Motor während des Startens und Aufwärmens.
12. Fadenspule wieder montieren (siehe Abschnitt 6.1.6). Wird die komplette Fadenspule erneuert sind, die Punkte 3-6 zu überspringen.

8.2 Wartung des Luftfilters

Verschmutzte Luftfilter verringern die Motorleistung durch zu geringe Luftzufuhr zum Vergaser. Regelmäßige Kontrolle ist daher unerlässlich. Der Luftfilter (35) sollte alle 25 Betriebsstunden kontrolliert werden und bei Bedarf gereinigt werden. Bei sehr staubiger Luft ist der Luftfilter häufiger zu überprüfen.

1. Entfernen Sie die Abdeckung des Luftfiltergehäuses (Abb. 10a / Pos. 8)
2. Entnehmen Sie den Luftfilter (Abb. 10b/10c)
3. Reinigen Sie den Luftfilter durch Ausklopfen oder Ausblasen (mit Druckluft).
4. Der Zusammenbau erfolgt in umgekehrter Reihenfolge.

Achtung: Luftfilter nie mit Benzin oder brennbaren Lösungsmitteln reinigen.

8.3 Wartung der Zündkerze

Elektrodenabstand = 0,6 mm (Abstand zwischen den Elektroden, zwischen welchen der Zündfunke erzeugt wird). Ziehen Sie die Zündkerze mit 12 bis 15 Nm mit einem Drehmomentschlüssel (erhältlich im Fachhandel) an. Überprüfen Sie die Zündkerze erstmals nach 10 Betriebsstunden auf Verschmutzung und reinigen Sie diese gegebenenfalls mit einer Kupferdrahtbürste.

Danach die Zündkerze alle 50 Betriebsstunden warten.

1. Demontieren Sie die Schutzkappe (Abb. 10c/Pos. 31) mit einem Schraubendreher.
2. Ziehen Sie den Zündkerzenstecker (Abb. 11a/Pos. 36) ab.
3. Entfernen Sie die Zündkerze (Abb. 11b) mit dem beiliegenden Zündkerzenschlüssel (27).
4. Der Zusammenbau erfolgt in umgekehrter Reihenfolge.

8.4 Schleifen des Schutzhaubennessers

Das Schutzhaubennesser (Abb. 7a / Pos. F) kann mit der Zeit stumpf werden. Sollten Sie dies feststellen, lösen Sie die 2 Schrauben mit denen das Schutzhaubennesser an der Schutzhaube befestigt ist. Befestigen Sie das Messer in einem Schraubstock. Schleifen Sie das Messer mit einer Flachfeile und achten Sie darauf, den Winkel der Schnittkante beizubehalten. Feilen Sie nur in eine Richtung.

8.5 Vergaser-Einstellungen

Achtung: Einstellungen am Vergaser dürfen nur durch einen autorisierten Kundendienst vorgenommen werden.

Zu allen Arbeiten am Vergaser muss zuerst die Abdeckung des Luffiltergehäuses, wie in Abbildung 10a und 10b gezeigt, demontiert werden.

Einstellen des Gasseilzuges:

Sollte die Maximaldrehzahl des Geräts mit der Zeit nicht mehr erreicht werden und sämtliche andere Ursachen nach Abschnitt „Fehlerbehebung“ ausgeschlossen sein, könnte eine Einstellung des Gasseilzuges erforderlich sein.

Überprüfen Sie hierfür zunächst, ob der Vergaser bei voll durchgedrücktem Gashebel ganz öffnet. Dies ist der Fall, wenn der Vergaserschieber (Abb. 13a/Pos. F) bei voll betätigtem Gas vollständig geöffnet ist. Abbildung 13a zeigt die korrekte Einstellung. Sollte der Vergaserschieber nicht vollständig geöffnet sein, ist eine Nachjustierung notwendig.

Um den Gasseilzug nachzustellen sind folgende Schritte erforderlich:

- Lösen Sie die Kontermutter (Abb. 13b/Pos. C) einige Umdrehungen.
- Drehen Sie die Verstelle schraube (Abb. 13b/Pos. D) heraus, bis der Vergaserschieber bei voll betätigtem Gas, wie in Abbildung 13a gezeigt, vollständig geöffnet ist.
- Ziehen Sie die Kontermutter wieder fest.

Einstellen des Standgases:

Achtung! Standgas bei warmem Betriebszustand einstellen.

Sollte das Gerät bei nicht betätigtem Gashebel ausgehen und sämtliche andere Ursachen nach Abschnitt „Fehlerbehebung“ ausgeschlossen sein, ist ein Nachjustieren des Standgases notwendig. Drehen Sie hierzu die Standgasschraube (Abb. 13b/Pos. E) im Uhrzeigersinn bis das Gerät im Leerlauf sicher läuft. Ist das Standgas so hoch, dass sich das Schneidwerkzeug mitdreht, muss dies durch Linksdrehen der Standgasschraube soweit verringert werden, bis sich das Schneidwerkzeug nicht mehr mitdreht.

8.6 Fetten des Getriebes

Ergänzen Sie alle 20 Betriebsstunden etwas Getriebefließfett (ca. 10 g). Öffnen Sie hierzu die Schraube H (Abb. 7c).

8.7 Umweltschutz

Verschmutztes Wartungsmaterial und Betriebsstoffe in einer dafür vorgesehenen Sammelstelle abgeben.

Verpackungsmaterial, Metall und Kunststoffe dem Recycling zuführen.

8.8 Ersatzteilbestellung

Bei der Ersatzteilbestellung sollten folgende Angaben gemacht werden:

- Typ des Gerätes
- Artikelnummer des Gerätes
- Ident-Nummer des Gerätes

Aktuelle Preise und Infos finden Sie unter www.isc-gmbh.info

9. Lagerung und Transport

9.1 Lagerung

Vorsicht: Verstauen Sie das Gerät nie länger als 30 Tage, ohne folgende Schritte zu durchlaufen.

Verstauen des Gerätes

Wenn Sie das Gerät länger als 30 Tage verstauen, muss es hierfür hergerichtet werden. Andernfalls verdunstet der im Vergaser befindliche, restliche Treibstoff und lässt einen gummiartigen Bodensatz zurück. Dies könnte den Start erschweren und teure Reparaturarbeiten zur Folge haben.

1. Nehmen Sie den Tankdeckel langsam ab, um eventuellen Druck im Tank abzulassen. Entleeren Sie vorsichtig den Tank (6).
2. Starten Sie den Motor und lassen Sie ihn laufen, bis dieser stoppt, um den Treibstoff aus dem Vergaser zu entfernen.
3. Lassen Sie den Motor abkühlen (ca. 5 Minuten).
4. Entfernen Sie die Zündkerze (siehe 8.3)
5. Geben Sie 1 Teelöffel sauberes 2-Takt-Öl in die Verbrennungskammer. Ziehen Sie mehrere Male langsam an der Starterleine, um die internen Komponenten mit Öl zu benetzen.



Setzen Sie die Zündkerze wieder ein.

Hinweis: Verstauben Sie das Gerät an einem trockenen Ort und weit entfernt von möglichen Entzündungsquellen, z.B. Ofen, Heißwasserboiler mit Gas, Gastrockner, etc.

Erneutes Inbetriebnehmen

1. Entfernen Sie die Zündkerze (siehe 8.3).
2. Ziehen Sie rasch an der Starterleine, um überschüssiges Öl aus der Verbrennungskammer zu entfernen.
3. Reinigen Sie die Zündkerze und achten Sie auf den richtigen Elektrodenabstand an der Zündkerze; oder setzen Sie eine neue Zündkerze mit richtigem Elektrodenabstand ein.
4. Bereiten Sie das Gerät für den Betrieb vor.
5. Füllen Sie den Tank mit der richtigen Treibstoff-/ Ölmischung auf. Siehe Abschnitt „Treibstoff und Öl“.

9.2 Transport

Wenn Sie das Gerät transportieren möchten, entleeren Sie den Benzintank wie im Abschnitt „Lagerung“ erklärt. Reinigen Sie das Gerät mit einer Bürste oder einem Handfeger von grobem Schmutz. Demontieren Sie den Führungshandgriff und Führungsholm wie unter Abschnitt 6.1.1 und 6.1.2 erklärt.

10.Reinigung

Schalten Sie das Gerät vor Reinigungsarbeiten immer aus und ziehen den Zündkerzenstecker ab.

- Nach jedem Gebrauch sollte das Gerät gründlich gereinigt werden. Besonders das Schneidwerkzeug und die Schutzhauben.
- Halten Sie Luftschlitze und Motoregehäuse so staub- und schmutzfrei wie möglich. Reiben Sie das Gerät mit einem sauberen Tuch ab oder blasen Sie es mit Druckluft bei niedrigem Druck aus.
- Am leichtesten entfernen Sie Schmutz und Gras gleich nach dem Mähen.
- Reinigen Sie das Gerät regelmäßig mit einem feuchten Tuch und etwas Schmierseife. Verwenden Sie keine Reinigungs- oder Lösungs-

mittel; diese könnten die Kunststoffteile des Gerätes angreifen. Achten Sie darauf, dass kein Wasser in das Geräteinnere gelangen kann.

11. Entsorgung und Wiederverwertung

Das Gerät befindet sich in einer Verpackung um Transportschäden zu verhindern. Diese Verpackung ist Rohstoff und ist somit wieder verwendbar oder kann dem Rohstoffkreislauf zurückgeführt werden. Das Gerät und dessen Zubehör bestehen aus verschiedenen Materialien, wie z.B. Metall und Kunststoffe. Führen Sie defekte Bauteile der Sondermüllentsorgung zu. Treibstoff und Öle dürfen nur bei entsprechenden Sondermüllstellen entsorgt werden. Fragen Sie im Fachgeschäft oder in der Gemeindeverwaltung nach!

12. Fehlersuchplan

Störung	Mögliche Ursache	Störungsbehebung
Das Gerät springt nicht an.	<ul style="list-style-type: none"> - Fehlerhaftes Vorgehen beim Starten. - Verrußte oder feuchte Zündkerze - Falsche Vergasereinstellung 	<ul style="list-style-type: none"> - Folgen Sie den Anweisungen zum Starten - Zündkerze reinigen oder durch neue ersetzen. - Autorisierten Kundendienst aufsuchen, oder das Gerät an die ISC-GmbH senden.
Das Gerät springt an, hat aber nicht die volle Leistung.	<ul style="list-style-type: none"> - Falsche Einstellung des Chokehebels (5) - Verschmutzter Luftfilter (35) - Falsche Vergasereinstellung 	<ul style="list-style-type: none"> - Chokehebel auf „\uparrow“ stellen. - Luftfilter reinigen - Autorisierten Kundendienst aufsuchen, oder das Gerät an die ISC-GmbH senden.
Der Motor läuft unregelmäßig	<ul style="list-style-type: none"> - Falscher Elektrodenabstand der Zündkerze - Falsche Vergasereinstellung 	<ul style="list-style-type: none"> - Zündkerze reinigen und Elektrodenabstand einstellen oder neue Zündkerze einsetzen. - Autorisierten Kundendienst aufsuchen, oder das Gerät an die ISC-GmbH senden.
Motor raucht übermäßig	<ul style="list-style-type: none"> - Falsche Treibstoffmischung - Falsche Vergasereinstellung 	<ul style="list-style-type: none"> - Richtige Treibstoffmischung verwenden (siehe Treibstoff-Mischtabelle) - Autorisierten Kundendienst aufsuchen, oder das Gerät an die ISC-GmbH senden.

13. Konformitätserklärung

Einhell Germany AG · Wiesenweg 22 · D-94405 Landau/Isar



Konformitätserklärung

- D** erklärt folgende Konformität gemäß EU-Richtlinie und Normen für Artikel
- GB** explains the following conformity according to EU directives and norms for the following product
- F** déclare la conformité suivante selon la directive CE et les normes concernant l'article
- I** dichiara la seguente conformità secondo la direttiva UE e le norme per l'articolo
- NL** verklaart de volgende overeenstemming conform EU richtlijn en normen voor het product
- E** declara la siguiente conformidad a tenor de la directiva y normas de la UE para el artículo
- P** declara a seguinte conformidade, de acordo com a directiva CE e normas para o artigo
- DK** attesterer følgende overensstemmelse i medfør af EU-direktiv samt standarder for artikel
- S** förklarar följande överensstämmelse enl. EU-direktiv och standarder för artikeln
- FIN** vakuuttaa, että tuote täyttää EU-direktiivin ja standardien vaatimukset
- EE** tõendab toote vastavust EL direktiivile ja standarditele
- CZ** vydává následující prohlášení o shodě podle směrnice EU a norem pro výrobek
- SLO** potrjuje sledečo skladnost s smernico EU in standardi za izdelek
- SK** vydáva nasledujúce prehlásenie o zhode podľa smernice EÚ a noriem pre výrobok
- H** a cikkekhöz az EU-irányvonal és Normák szerint a következő konformitást jelenti ki
- PL** deklaruje zgodność wymienionego poniżej artykułu z następującymi normami na podstawie dyrektywy WE.
- BG** декларира съответното съответствие съгласно Директива на ЕС и норми за артикул
- LV** paskaidro šādu atbilstību ES direktīvai un standartiem
- LT** apibūdina šį atitikimą EU reikalavimams ir prekės normoms
- RO** declară următoarea conformitate conform directivei UE și normelor pentru articolul
- GR** δηλώνει την ακόλουθη συμμόρφωση σύμφωνα με την Οδηγία ΕΚ και τα πρότυπα για το προϊόν
- HR** potvrđuje sljedeću uskladenost prema smjernicama EU i normama za artikl
- Izjava o sukladnosti za ovaj proizvod dostupna je na internet stranici www.lidl.hr.
- BIH** potvrđuje sljedeću uskladenost prema smjernicama EU i normama za artikl
- RS** potvrđuje sledeću uskladenost prema smernicama EZ i normama za artikal
- RUS** следующим удостоверяется, что следующие продукты соответствуют директивам и нормам ЕС
- UKR** проголошує про зазначену нижче відповідність виробу директивам та стандартам ЄС на виріб
- MK** ja izjavува следната сообразност согласно EУ-директивата и нормите за артикли
- TR** Ürünü ile ilgili AB direktifleri ve normlan gereğince aşağıda açıklanan uygunluğu belirtir
- N** erklærer følgende samsvar i henhold til EU-direktivet og standarder for artikkel
- IS** Lýsir uppfyllingu EU-reglna og annarra staðla vöru

Benzin-Sense FBS 43 A1 (Florabest)

- | | |
|---|---|
| <input type="checkbox"/> 87/404/EC_2009/105/EC | <input checked="" type="checkbox"/> 2006/42/EC |
| <input type="checkbox"/> 2005/32/EC_2009/125/EC | <input type="checkbox"/> Annex IV
Notified Body:
Notified Body No.:
Reg. No.: |
| <input type="checkbox"/> 2006/95/EC | |
| <input type="checkbox"/> 2006/28/EC | <input checked="" type="checkbox"/> 2000/14/EC_2005/88/EC |
| <input checked="" type="checkbox"/> 2004/108/EC | <input checked="" type="checkbox"/> Annex V |
| <input type="checkbox"/> 2004/22/EC | <input type="checkbox"/> Annex VI
Noise measured: $L_{WA} = 104,7$ dB (A); guaranteed $L_{WA} = 110$ dB (A)
$P = 1,35$ KW; $L/\varnothing =$ cm
Notified Body: |
| <input type="checkbox"/> 1999/5/EC | |
| <input type="checkbox"/> 97/23/EC | <input checked="" type="checkbox"/> 2006/28/EC
Emission No.: e11*97/68SA*2004/26*1181*00 |
| <input type="checkbox"/> 90/396/EC_2009/142/EC | |
| <input type="checkbox"/> 89/686/EC_96/58/EC | |
| <input type="checkbox"/> 2011/65/EC | |

Standard references: EN ISO 11806; EN ISO 14982

Landau/Isar, den 14.02.2012

Weichselgartner/General-Manager

Frank/Product-Management

First CE: 10
Art.No.: 34.019.95 I.No.: 11011
Subject to change without notice

Archive-File/Record: NAPR005246
Documents registrar: Robert Mayn
Wiesenweg 22, D-94405 Landau/Isar

14. Garantieurkunde

Sehr geehrte Kundin, sehr geehrter Kunde,
unsere Produkte unterliegen einer strengen Qualitätskontrolle. Sollte dieses Gerät dennoch einmal nicht einwandfrei funktionieren, bedauern wir dies sehr und bitten Sie, sich an unseren Servicedienst unter der auf dieser Garantiekarte angegebenen Adresse zu wenden. Gern stehen wir Ihnen auch telefonisch über die unten angegebene Servicenummer zur Verfügung. Für die Geltendmachung von Garantieansprüchen gilt folgendes:

1. Diese Garantiebedingungen regeln zusätzliche Garantieleistungen. Ihre gesetzlichen Gewährleistungsansprüche werden von dieser Garantie nicht berührt. Unsere Garantieleistung ist für Sie kostenlos.
2. Die Garantieleistung erstreckt sich ausschließlich auf Mängel, die auf Material- oder Herstellungsfehler zurückzuführen sind und ist auf die Behebung dieser Mängel bzw. den Austausch des Gerätes beschränkt. Bitte beachten Sie, dass unsere Geräte bestimmungsgemäß nicht für den gewerblichen, handwerklichen oder industriellen Einsatz konstruiert wurden. Ein Garantievertrag kommt daher nicht zustande, wenn das Gerät in Gewerbe-, Handwerks- oder Industriebetrieben sowie bei gleichzusetzenden Tätigkeiten eingesetzt wird. Von unserer Garantie sind ferner Ersatzleistungen für Transportschäden, Schäden durch Nichtbeachtung der Montageanleitung oder aufgrund nicht fachgerechter Installation, Nichtbeachtung der Gebrauchsanleitung (wie durch z.B. Anschluss an eine falsche Netzspannung oder Stromart), missbräuchliche oder unsachgemäße Anwendungen (wie z.B. Überlastung des Gerätes oder Verwendung von nicht zugelassenen Einsatzwerkzeugen oder Zubehör), Nichtbeachtung der Wartungs- und Sicherheitsbestimmungen, Eindringen von Fremdkörpern in das Gerät (wie z.B. Sand, Steine oder Staub), Gewaltanwendung oder Fremdeinwirkungen (wie z. B. Schäden durch Herunterfallen) sowie durch verwendungsgemäßen, üblichen Verschleiß ausgeschlossen. Dies gilt insbesondere für Akkus, auf die wir dennoch eine Garantiezeit von 12 Monaten gewähren. Der Garantieanspruch erlischt, wenn an dem Gerät bereits Eingriffe vorgenommen wurden.
3. Die Garantiezeit beträgt 3 Jahre und beginnt mit dem Kaufdatum des Gerätes. Garantieansprüche sind vor Ablauf der Garantiezeit innerhalb von zwei Wochen, nachdem Sie den Defekt erkannt haben, geltend zu machen. Die Geltendmachung von Garantieansprüchen nach Ablauf der Garantiezeit ist ausgeschlossen. Die Reparatur oder der Austausch des Gerätes führt weder zu einer Verlängerung der Garantiezeit noch wird eine neue Garantiezeit durch diese Leistung für das Gerät oder für etwaige eingebaute Ersatzteile in Gang gesetzt. Dies gilt auch bei Einsatz eines Vor-Ort-Services.
4. Für die Geltendmachung Ihres Garantieanspruches übersenden Sie bitte das defekte Gerät portofrei an die unten angegebene Adresse. Fügen Sie den Verkaufsbeleg im Original oder einen sonstigen datierten Kaufnachweis bei. Bitte bewahren Sie deshalb den Kassenbon als Nachweis gut auf! Beschreiben Sie uns bitte den Reklamationsgrund möglichst genau. Ist der Defekt des Gerätes von unserer Garantieleistung erfasst, erhalten Sie umgehend ein repariertes oder neues Gerät zurück.

Selbstverständlich beheben wir gegen Erstattung der Kosten auch gerne Defekte am Gerät, die vom Garantiumfang nicht oder nicht mehr erfasst sind. Dazu senden Sie das Gerät bitte an unsere Serviceadresse.

iSC GmbH • Eschenstraße 6 • 94405 Landau/Isar (Deutschland)

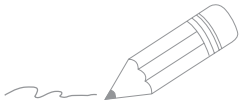
Telefon: +49 [0] 180 5 687 484 • Telefax +49 [0] 180 5 687 485

(Festnetzpreis: 14 ct/min, Mobilfunkpreise maximal: 42 ct/min)

Außerhalb Deutschlands fallen stattdessen Gebühren für ein reguläres Gespräch ins dt. Festnetz an.

E-Mail: lidl@isc-gmbh.info • Internet: www.isc-gmbh.info

IAN 72317



Handwriting practice lines consisting of 20 horizontal lines. The first two lines are pre-filled with a pencil icon and a wavy line, respectively. The remaining 18 lines are blank.





IAN: 72317 FBS 43 A1

Einhell Germany AG
Wiesenweg 22
D-94405 Landau/Isar

Last Information Update · Stanje informacija
Έκδοση των πληροφοριών · Stand der Informationen:
03/2012 · Ident.-No.: 34.019.95 032012 - 7

IAN 72317

7+

