



Power X-Change Charger

- EN Original operating instructions
Power X-Change Charger
- SP Manual de instrucciones original
Cargador Power X-Change
- FR Mode d'emploi d'origine
Chargeur Power X-Change



7

Art.-Nr.: 4512088

I.-Nr.: 11019



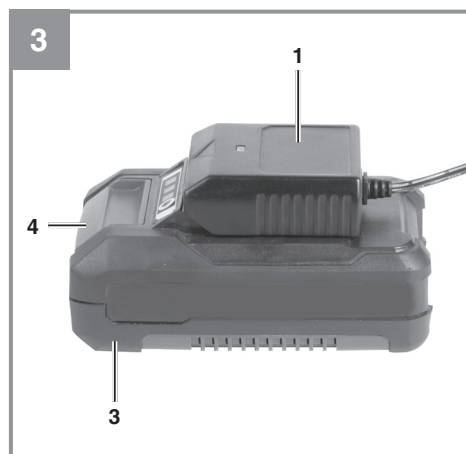
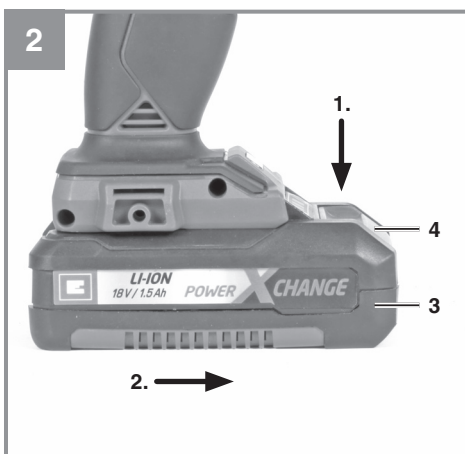
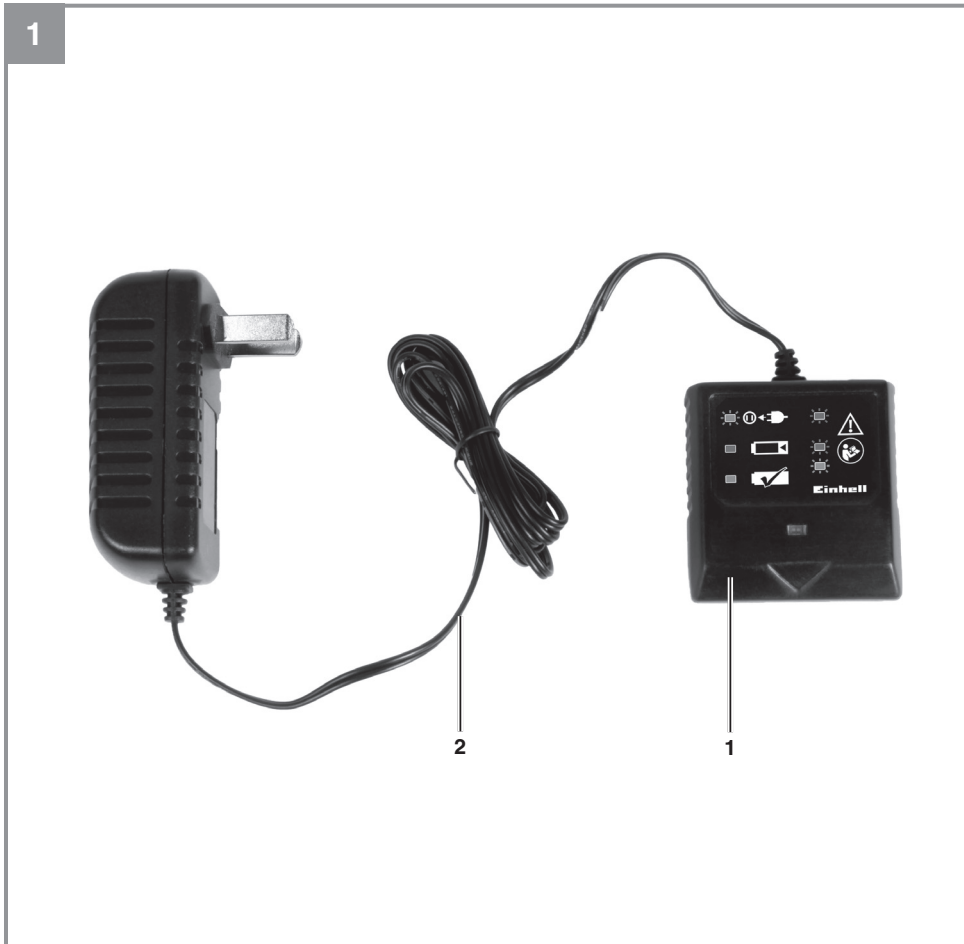




Table of contents

1. Safety information
2. Layout and items supplied
3. Technical data
4. Operation
5. Cleaning, maintenance and ordering spare parts
6. Disposal and recycling
7. Storage
8. Charger indicator



Danger - Read the operating instructions to reduce the risk of injury



For use in dry rooms only.



Safety class II

DANGER!

When using the equipment, a number of safety precautions must be observed to avoid injuries and damage. Please read the complete operating instructions and safety information with due care. Keep these operating instructions in a safe place so that the information is available at all times. If you give the equipment to any other person, hand over these operating instructions and the safety information as well. We cannot accept any liability for damage or accidents which arise due to failure to follow these instructions and the safety information.

1. Safety information**DANGER!**

Read all the safety information and instructions. Failure to adhere to the safety information and instructions set out below may result in electric shock, fire and/or serious injury. **Keep all the safety information and instructions in a safe place for future use.**

This equipment can be used by children of 8 years and older and by people with limited physical, sensory or mental capacities or those with no experience and knowledge if they are supervised or have received instruction in how to use the equipment safely and understand the dangers which result from such use. Children are not allowed to play with the equipment. Unless supervised, children are not allowed to clean the equipment or carry out user-level maintenance work.

Replacing the power cable
If the power cable for this equipment is damaged, it must be replaced by the manufacturer or OEM after-sales service or by similarly trained personnel to prevent hazards.

- a) The charging unit is not allowed to be used for non-rechargeable, normal batteries.
- b) Sufficient ventilation is required.
- c) The current and voltage information on the battery pack must be the same as that on the charging unit.
- d) Do not expose the charging unit to splash water or rain.
- e) Do not throw old or damaged batteries into water or fire. Follow the environmental protection directives.
- f) A defective or no longer chargeable battery must be treated as special waste. Dispose of it at a special collection point. Do not dispose of it with your normal household waste or throw it into water or fire.
- g) Place the charging unit away from all sources of heat.
- h) To reduce the risk of electric shock, pull the power plug out of the socket outlet by the plug itself and not by the cable when you want to disconnect the charging unit from the power supply.
- i) Do not take the charging unit apart. Take it to an authorized repair center if servicing or repairs are needed. Incorrect assembly can result in an electric shock and even death or fire.
- j) Children must always be supervised in order to ensure that they do not play with the equipment.

Keep this safety information in a safe place.

2. Layout and items supplied


2.1 Layout

1. Charger
2. Charging cable
3. Battery pack
4. Push lock button

3. Technical data

Charger

Input 100-120 V A.C. ~50-60 Hz, 20 W

Output 20 V , 0.8 A

Important!

The charging unit is allowed to be used only for the lithium-ion batteries of the Power X-Change series!

Power X-Change

- 18V 1.5Ah P-X-C lithium-ion battery
- 18V 2.0Ah P-X-C lithium-ion battery
- 18V 2.5Ah P-X-C lithium-ion battery
- 18V 3.0Ah P-X-C lithium-ion battery
- 18V 4.0Ah P-X-C lithium-ion battery
- 18V 5.2Ah P-X-C Plus lithium-ion battery
- 18V 4.0Ah/6.0Ah P-X-C Plus lithium-ion battery

4. Operation

Fig. 2+3

1. Pull the battery pack (3) out of the handle, pressing the push lock button (4) as you do so.
2. Check that your mains voltage is the same as that marked on the rating plate of the battery charger. Insert the power plug of the charger (1) into the socket outlet. The green LED will then begin to flash.
3. Insert the battery pack (3) into the battery charger (1).
4. In section 8 „Charger indicator“ you will find a table with an explanation of the LED indicator on the charger.

If the battery fails to charge, please check

- whether there is voltage at the power socket.
- whether there is good contact at the charging contacts of the charging unit is in place

If the battery still fails to charge, send

- the charging unit
 - and the rechargeable battery
- to our customer service center.

Customer service:

Contact the Einhell USA® customer service center at 1-866-EINHELL (1-866-346-4355) for assistance.

Timely recharging of the battery will help it serve you well for a long time. You must recharge the battery pack when you notice that the power of the cordless equipment drops.

5. Cleaning, maintenance and ordering spare parts

Always pull out the power plug before starting any cleaning work.

The equipment is not allowed to be stored in a damp location or where there are caustic gases. Keep it in a dry place out of the reach of children.

5.1 Cleaning

Keep the surface of the equipment clean and wipe it only with a dry cloth.

5.2 Ordering replacement parts: Service

1. **If your power tool requires service, contact an authorized Einhell USA dealer or call the Einhell USA customer service center at 1-866-EINHELL (1-866-346-4355).** Only identical replacement parts should be utilized for repairs. This will ensure that the safety of the power tool is maintained.
2. **If the battery charger cable is damaged, it must be immediately replaced to avoid a hazard.** Contact the Einhell USA® customer service center at 1-866-EINHELL (1-866-346-4355) for assistance.

6. Disposal and recycling

The equipment is supplied in packaging to prevent it from being damaged in transit. The raw materials in this packaging can be reused or recycled. The equipment and its accessories are made of various types of material, such as metal and plastic. Never place defective equipment in your household refuse. The equipment should be taken to a suitable collection center for proper disposal. If you do not know the whereabouts of such a collection point, you should ask in your local council offices.

- Connect the equipment into an outlet on a circuit different from that to which the receiver is connected.
- Consult the dealer or an experienced radio/TV technician for help.

The reprinting or reproduction by any other means, in whole or in part, of documentation and papers accompanying the products is strictly subject to the express consent of Einhell Germany AG.

Subject to technical changes

7. Storage

Store the equipment and its accessories out of children's reach in a dark and dry place at above freezing temperature. The ideal storage temperature is between 41°F and 86°F (5°C and 30°C). Keep the electric tool in its original packaging.

Federal Communications Commission (FCC)

⚠ WARNING! Any changes or modifications to this unit not expressly approved by the part responsible for compliance could void the user's authority to operate the equipment.

Class B device:

NOTE: This equipment has been tested and found to comply with the limits for a Class B digital device, pursuant to part 15 of the FCC Rules. These limits are designed to provide reasonable protection against harmful interference in a residential installation. This equipment generates, uses and can radiate radio frequency energy and, if not installed and used in accordance with the instructions, may cause harmful interference to radio communications. However, there is no guarantee that interference will not occur in a particular installation. If this equipment does cause harmful interference to radio or television reception, which can be determined by turning the equipment off and on, the user is encouraged to try to correct the interference by one or more of the following measures:

- Reorient or relocate the receiving antenna.
- Increase the separation between the equipment and receiver.

8. Charger indicator

Indicator status	Explanations and actions
Green is flashing	<p>Ready for use The charger is connected to the mains and is ready for use; there is no battery pack in the charger</p>
Red is on	<p>Charging The charger is charging the battery pack.</p>
Green is on	<p>The battery is charged and ready for use. (Charging time for 18V 1.5Ah P-X-C lithium-ion battery: approx. 2 hours) (Charging time for 18V 2.0Ah P-X-C lithium-ion battery: approx. 2½ hours) (Charging time for 18V 2.5Ah P-X-C Pus lithium-ion battery: approx. 3¾ hours) (Charging time for 18V 3.0Ah P-X-C lithium-ion battery: approx. 4 hours) (Charging time for 18V 4.0Ah P-X-C lithium-ion battery: approx. 5 hours) (Charging time for 18V 5.2Ah P-X-C Pus lithium-ion battery: approx. 6¼ hours) (Charging time for 18V 6.0Ah P-X-C Pus lithium-ion battery: approx. 7½ hours) Action: Take the battery pack out of the charger. Disconnect the charger from the mains supply.</p>
Red is flashing	<p>Fault Charging is no longer possible. The battery pack or charger is defective. Action: Never charge a defective battery pack. Take the battery pack out of the charger.</p>
Red and green are flashing alternately	<p>Temperature fault The battery pack is too hot (e.g. due to direct sunshine) or too cold (32°F (0° C)). Action: Remove the battery pack and keep it at room temperature (approx. 68°F (20° C)) for one day. If this fault still occurs, this means that the battery pack has undergone exhaustive discharge and must never be charged or used any more. Take the battery pack out of the charger. If this happens again, this mean that the rechargeable battery is defective and needs replacing.</p>



EINHELL CUSTOMER PROMISE

QUALITY COMES FIRST. The Einhell name is synonymous with high-performance tools and high-quality European craftsmanship. From cordless screwdrivers to electric lawn mowers, Einhell USA designs and develops state-of-the-art handheld power and garden tools for DIY enthusiasts, hobby gardeners, and handymen.

Einhell USA's quality assurance and engineering teams ensure products are subjected to stringent quality and performance tests. We know that sometimes tough tools go through tough times. In the event that you should experience any issue with your product, you have our commitment that we'll do everything we can to get you back a tool that's ready to work as hard as you do.

PRODUCT REGISTRATION:

Einhell strongly encourages you to register your purchase. You can register online at **EinhellUSA.com**. Failure to register your product purchase will not diminish your warranty rights. However, registering your purchase will allow Einhell to better serve you with any of your customer service needs.

WHAT IS COVERED?

Einhell warrants to the owner that if this Machine fails within 2 years from the date of purchase due to a defect in material or workmanship or as a result of normal wear and tear from ordinary household use, Einhell will send a replacement part or product, as needed, free of charge and with free shipping to the original purchaser. If, in Einhell's sole discretion, the failed Machine cannot be repaired with a part, Einhell will elect to either (A) send a new Machine at no charge and with free shipping or (B) refund the full purchase price to the owner.

WHO CAN SEEK WARRANTY COVERAGE?

This Warranty is extended by Einhell to the owner of this Machine (a "Machine" consists of a product powered by a motor) for residential and personal household use only. This warranty is limited to thirty (30) days from the start of original purchase of any EINHELL brand product that is used for commercial purposes, or any other income-producing purpose. Should ownership of this machine change during the coverage period, please update the Machine's owner information at **EinhellUSA.com**

WHAT IS NOT COVERED?

This warranty does not cover any product that has been subject to misuse, neglect, negligence, or accident, or that has been operated in any way contrary to the operating instructions as specified in the operator's manual. This Warranty does not cover cosmetic changes that do not affect performance.

This Warranty is only valid if the Machine is used and maintained in accordance with the instructions, warnings and safeguards contained in the owner's manual. Einhell will not be responsible for the cost of any unauthorized warranty repairs. This warranty does not cover any cost or expense incurred by the purchaser in providing substitute equipment or service during reasonable periods of malfunction or non-use of this product while waiting for a replacement part or unit under this warranty.

Wearing parts like belts, augers, chains and tines are not covered under this warranty, and can be purchased at **EinhellUSA.com** or by calling **1-866-EINHELL (1-866-346-4355)**. Batteries are covered in full for 90-days from the date of purchase.

Repair, replacement or refund of the purchase price are the exclusive remedies of purchaser and the sole liability of Einhell under this warranty. No employee or representative of Einhell is authorized to make any additional warranty or any modification to this warranty which may be binding upon Einhell. Accordingly, purchaser should not rely upon any additional statements made by any employee or representative of Einhell. In no event, whether based on contract, indemnity, warranty, tort (including negligence), strict liability or otherwise, shall Einhell be liable for any special, indirect, incidental, or consequential damages, including, without limitation, loss of profit or revenue.

Some states do not allow limits on warranties. In such states, the above limitations may not apply to you.

Outside the USA and Canada, other warranties may apply.

Índice de contenidos

1. Instrucciones de seguridad
2. Descripción del aparato y volumen de entrega
3. Características técnicas
4. Manejo
5. Mantenimiento, limpieza y pedido de piezas de repuesto
6. Eliminación y reciclaje
7. Almacenamiento
8. Indicación cargador

SP



„AVISO: Leer el manual de instrucciones para reducir cualquier riesgo de sufrir lesiones“



Utilizar únicamente en espacios secos.



Clase de protección II

Peligro!

Al usar aparatos es preciso tener en cuenta una serie de medidas de seguridad para evitar lesiones o daños. Por este motivo, es preciso leer atentamente este manual de instrucciones/advertencias de seguridad. Guardar esta información cuidadosamente para poder consultarla en cualquier momento. En caso de entregar el aparato a terceras personas, será preciso entregarles, asimismo, el manual de instrucciones/advertencias de seguridad. No nos hacemos responsables de accidentes o daños provocados por no tener en cuenta este manual y las instrucciones de seguridad.

1. Instrucciones de seguridad**Peligro!**

Lea todas las instrucciones de seguridad e indicaciones. El incumplimiento de dichas instrucciones e indicaciones puede provocar descargas, incendios y/o daños graves. **Guarde todas las instrucciones de seguridad e indicaciones para posibles consultas posteriores.**

Este aparato podrá ser utilizado por niños a partir de 8 años y personas cuyas capacidades estén limitadas física, sensorial o psíquicamente, o que no dispongan de la experiencia y/o los conocimientos necesarios siempre y cuando estén vigiladas o hayan recibido formación o instrucciones sobre el funcionamiento seguro del aparato y de los posibles peligros. Está prohibido que los niños jueguen con el aparato. Los niños no podrán realizar los trabajos de limpieza y mantenimiento a no ser que estén vigilados por un adulto.

Cambiar el cable de conexión a la red eléctrica

Cuando el cable de conexión a la red de este aparato esté dañado, deberá ser sustituido por el fabricante o su servicio de asistencia técnica o por una persona cualificada para ello, con el fin de evitar cualquier peligro.

- a) No utilizar el cargador para pilas normales no recargables.
- b) Debe haber ventilación suficiente.
- c) Los datos sobre la corriente y la tensión de la batería deben coincidir con los del cargador.
- d) No exponer el cargador a salpicaduras de agua ni a la lluvia.
- e) No tirar las baterías dañadas o usadas al agua ni al fuego. Respetar las directivas de protección del medio ambiente.
- f) Una batería defectuosa o que ya no pueda cargarse debe tratarse como residuo especial. Entregarla a una entidad recolectora especial. No tirarla a la basura doméstica normal, al agua o al fuego.
- g) Mantener el cargador alejado de cualquier fuente de calor.
- h) Si se desea desconectar el aparato de la red eléctrica, para reducir el riesgo de una descarga eléctrica, desenchufar el aparato tirando del enchufe y no del cable.
- i) No desmontar el cargador. En caso de que sea necesario realizar trabajos de mantenimiento o reparación, llévelo a un centro de reparación autorizado. Un montaje no adecuado puede provocar desde una descarga eléctrica hasta incendios e incluso la muerte.
- j) Vigilar a los niños para asegurarse de que no jueguen con el aparato.

Guardar las instrucciones de seguridad en lugar seguro.


2. Descripción del aparato y volumen de entrega

2.1 Descripción del aparato

1. Cargador
2. Cable de carga
3. Batería
4. Dispositivo de retención

3. Características técnicas

Cargador

Entrada 100-120V A.C.~50-60Hz, 20 W
Salida 20 V , 0.8 A

¡Atención!

¡El cargador solo se puede emplear para baterías de iones de litio de la serie Power X-Change!

Power X-Change

- 18V 1.5Ah P-X-C batería Li-Ion
- 18V 2.0Ah P-X-C batería Li-Ion
- 18V 2,5Ah P-X-C batería Li-Ion
- 18V 3.0Ah P-X-C batería Li-Ion
- 18V 4.0Ah P-X-C batería Li-Ion
- 18V 5.2Ah P-X-C Plus batería Li-Ion
- 18V 4.0Ah/6.0Ah P-X-C Plus batería Li-Ion

4. Manejo

Fig. 2+3

1. Sacar la batería (3) del aparato presionando el dispositivo de retención (4).
2. Comprobar que la tensión de red coincide con la especificada en la placa de identificación del aparato. Conectar el enchufe del cargador (1) a la toma de corriente. Los LED verdes empiezan a parpadear.
3. Colocar la batería (3) en el cargador (1).
4. El apartado 8 „Indicación cargador“ incluye una tabla con los significados de las indicaciones LED del cargador.

En caso de que no sea posible cargar la batería, comprobar que

- exista tensión de red en el enchufe
- exista buen contacto entre los contactos de carga del cargador.

En caso de que todavía no fuera posible cargar la batería, rogamos enviar

- el cargador
- y la batería

a nuestro servicio de asistencia técnica.

Servicio de asistencia técnica:

Si necesita asistencia, llame al centro de atención al cliente de Einhell USA® al 1-866-EINHELL (1-866-346-4355).

Para prolongar la duración de la batería, cargarla siempre a tiempo. Esto es imprescindible en cuanto se note que baja el rendimiento de la batería.

5. Mantenimiento, limpieza y pedido de piezas de repuesto

Desenchufar el aparato siempre antes de realizar cualquier trabajo de limpieza.

No guardar el aparato en ambientes húmedos o en espacios con gases corrosivos, sino en un lugar seco fuera del alcance de los niños.

5.1 Limpieza

Mantener limpia la superficie del aparato y limpiarlo únicamente con un paño seco.

5.2 Pedido de piezas de repuesto:

Servicio

1. **Si su herramienta eléctrica necesita servicio, póngase en contacto con un distribuidor autorizado de Einhell USA o llame al centro de atención al cliente de Einhell USA 1-866-EINHELL (1-866-346-4355).** Utilice exclusivamente piezas de repuesto idénticas para las reparaciones. Solo así se podrá mantener la seguridad de la herramienta eléctrica.
2. **Si el cable del cargador está dañado, cámbielo de inmediato para evitar peligros.** Si necesita asistencia, llame al centro de atención al cliente de Einhell USA® al 1-866-EINHELL (1-866-346-4355).

6. Eliminación y reciclaje

El aparato está protegido por un embalaje para evitar daños producidos por el transporte. Este embalaje es materia prima y, por eso, se puede volver a utilizar o llevar a un punto de reciclaje. El aparato y sus accesorios están compuestos de diversos materiales, como, p. ej., metal y plástico. Los aparatos defectuosos no deben tirarse a la basura doméstica. Para su eliminación adecuada, el aparato debe entregarse a una entidad recolectora prevista para ello. En caso de no conocer ninguna, será preciso informarse en el organismo responsable del municipio.

7. Almacenamiento

Guardar el aparato y sus accesorios en un lugar oscuro, seco, protegido de las heladas e inaccesible para los niños. La temperatura de almacenamiento óptima se encuentra entre los 41°F y 86°F (5 y 30 °C). Guardar la herramienta eléctrica en su embalaje original.

Federal Communications Commission (Comisión Federal de Comunicaciones o FCC):

⚠ ¡ADVERTENCIA! Cualquier cambio o modificación a esta unidad no aprobados expresamente por la parte responsable del cumplimiento pueden hacer que el usuario pierda el derecho de utilizar el equipo

Dispositivo Clase B:

NOTA: este equipo ha sido probado y cumple con los límites de la Clase B de dispositivos digitales, de acuerdo con la Parte 15 de las normas de la FCC. Estos límites están diseñados para proporcionar protección razonable contra interferencia dañina en una instalación residencial. Este equipo genera, usa y puede irradiar energía de radiofrecuencia y, si no se instala y utiliza de acuerdo con las instrucciones, puede provocar interferencias perjudiciales en las comunicaciones radiofónicas. No obstante, no hay garantía alguna de que no se produzcan interferencias en una instalación concreta. Si este equipo llegara a causar interferencia perjudicial para la recepción de radio o televisión, lo que se puede determinar apagando y encendiendo el equipo, se recomienda que el usuario trate de corregir la interferencia tomando una o más de las siguientes medidas:

- Reorientar o reubicar la antena receptora.
- Aumente la separación entre el equipo y el receptor.
- Conecte el equipo a una toma de corriente de un circuito diferente al que está conectado el receptor.
- Consulte con el distribuidor o un técnico experimentado en radio / TV para obtener ayuda.

Sólo está permitido copiar la documentación y documentos anexos del producto, o extractos de los mismos, con autorización expresa de Einhell Germany AG.

Nos reservamos el derecho a realizar modificaciones técnicas

8. Indicación cargador

Estado de indicación	Significado y medida
Verde parpadea	Listo para funcionamiento El cargador está conectado a la red y listo para el funcionamiento, la batería no está en el cargador
Rojo encendido	Carga El cargador carga la batería.
Verde encendido	La batería está cargada y se puede utilizar. (Duración de la carga 18V 1.5Ah P-X-C batería Li-Ion: aprox. 2 h) (Duración de la carga 18V 2.0Ah P-X-C batería Li-Ion: aprox. 2½ h) (Duración de la carga 18V 2.5Ah P-X-C Plus batería Li-Ion: aprox. 3¼ h) (Duración de la carga 18V 3.0Ah P-X-C batería Li-Ion: aprox. 4 h) (Duración de la carga 18V 4.0Ah P-X-C batería Li-Ion: aprox. 5 h) (Duración de la carga 18V 5.2Ah P-X-C Plus batería Li-Ion: aprox. 6¼ h) (Duración de la carga 18V 6.0Ah P-X-C Plus batería Li-Ion: aprox. 7½ h) Medida: Sacar la batería del cargador. Desconectar el cargador de la red.
Rojo parpadea	Fallo El proceso de carga ya no es posible. La batería o el cargador está defectuoso. Medida: Está prohibido cargar una batería defectuosa. Sacar la batería del cargador.
Rojo y verde parpadean de forma alterna	Avería por temperatura La batería está demasiado caliente (p. ej. por radiación solar directa) o demasiado fría (por debajo de 32°F (0° C)). Medida: Sacar la batería y guardarla durante 1 día a temperatura ambiente (aprox. 68°F (20° C)). Si sigue produciéndose este fallo, significa que la batería está completamente descargada y no se debe volver a cargar ni a utilizar. Sacar la batería del cargador. Si vuelve a pasar, la batería está defectuosa y se debe de cambiar.



LA PROMESA DE EINHELL AL CLIENTE

LO PRIMERO ES LA CALIDAD. El nombre de Einhell es sinónimo de herramientas de alto rendimiento y manufactura europea de alta calidad. Desde destornilladores inalámbricos hasta cortacéspedes eléctricos, Einhell USA diseña y desarrolla innovadoras herramientas para jardinería y eléctricas de mano para amantes del DIY, jardineros aficionados y manitas.

Los equipos de aseguramiento de la calidad y de ingenieros de Einhell USA garantizan que los productos se sometan a las pruebas más exigentes en materia de calidad y rendimiento. Sabemos que incluso las herramientas más resistentes pueden sufrir complicaciones. Si nota alguna anomalía en su producto, le aseguramos que haremos todo lo posible para devolverle una herramienta capaz de trabajar satisfaciendo sus exigencias.

REGISTRO DEL PRODUCTO:

Einhell le recomienda encarecidamente que registre su compra. Puede registrarla online en **EinhellUSA.com**. En caso de no hacerlo, el producto comprado no perderá los derechos de garantía. No obstante, registrando su compra permite que Einhell le preste un mejor servicio de atención al cliente cuando lo necesite.

¿QUÉ CUBRE?

Einhell garantiza al propietario que, si esta máquina falla en un plazo de 2 años a partir de la fecha de compra debido a un defecto en el material, en la manufactura o como resultado de un desgaste normal del uso doméstico ordinario, Einhell le enviará una pieza o un producto de repuesto, según se necesite, de manera gratuita y sin gastos de envío al comprador original. Si, a criterio exclusivo de Einhell, la máquina averiada no se puede reparar con una pieza, Einhell decidirá si a) envía una nueva máquina de manera gratuita y sin gastos de envío, o b) reembolsa al propietario el importe completo de la compra.

¿QUIÉN PUEDE OBTENER COBERTURA DE GARANTÍA?

Einhell hace entrega de la presente garantía al propietario de esta máquina (una "máquina" consiste en un producto alimentado por un motor) para un uso exclusivamente doméstico y privado. Esta garantía está limitada a treinta (30) días a partir de la fecha de compra original de cualquier producto de la marca EINHELL que se use para fines comerciales o cualquier otro fin que produzca beneficios. Si la máquina cambia de propietario durante el periodo de cobertura, actualice la información del propietario de la máquina en **EinhellUSA.com**

¿QUÉ NO CUBRE?

Esta garantía no cubre ningún producto que haya sufrido un uso indebido, negligencia, o accidente, o que haya sido operado de forma contraria a las instrucciones de uso especificadas en el manual de servicio. La presente

garantía no cubre cambios estéticos que no afecten al funcionamiento.

Esta garantía solo será válida si la máquina se usa y mantiene conforme a las instrucciones, advertencias e instrucciones de seguridad indicadas en el manual de servicio. Einhell no se hará responsable del coste de ninguna reparación de garantía no autorizada. Esta garantía no cubre ningún costo o gasto incurrido por el comprador al proporcionar equipos sustitutos o servicio durante períodos razonables de avería o no utilización de este producto, mientras se espera por una pieza de repuesto o nuevo producto conforme a esta garantía.

La garantía no cubre piezas de desgaste como correas, brocas, cadenas ni dientes, que se pueden comprar en **EinhellUSA.com** o llamando al **1-866-EINHELL (1-866-346-4355)**. Las baterías están completamente cubiertas durante 90 días a partir de la fecha de compra.

La reparación, sustitución o el reembolso del precio de compra constituyen compensaciones exclusivas del comprador y única responsabilidad de Einhell conforme a esta garantía. Ningún empleado ni representante de Einhell está autorizado a realizar ninguna garantía adicional ni modificación alguna a la presente garantía que pueda ser vinculante para Einhell. Por consiguiente, el comprador no deberá ampararse en ninguna declaración adicional hecha por ningún empleado o representante de Einhell. Einhell no se hace responsable en ningún caso, ya se base en el contrato, indemnización, garantía, agravio (incluyendo negligencia), responsabilidad absoluta o de otro tipo, de ningún daño especial, indirecto, accidental o consecuentes incluyendo, sin limitaciones, la pérdida de beneficios o ingresos.

Algunos estados no permiten límites en las garantías. En dichos estados, no se aplicarán las limitaciones expuestas anteriormente.

Fuera de EE. UU. y Canadá se aplicarán otras garantías.

Sommaire

1. Consignes de sécurité
2. Description de l'appareil et contenu de l'emballage
3. Caractéristiques techniques
4. Fonctionnement
5. Nettoyage, entretien et commande de pièces de rechange
6. Élimination et revalorisation
7. Conservation
8. Affichage du chargeur



Danger - lire les instructions d'origine pour diminuer le risque de blessures



Uniquement pour l'utilisation dans des locaux secs.



Classe de protection II

Danger !

Certaines mesures de sécurité doivent être respectées pendant l'utilisation des appareils pour empêcher les blessures et les dommages. Par conséquent, lisez attentivement le présent mode d'emploi / les consignes de sécurité. Conservez-les bien pour avoir les informations toujours à la portée de la main. Si vous devez passer l'appareil à d'autres personnes, veuillez leur remettre également le présent mode d'emploi / les consignes de sécurité. Nous ne sommes pas tenus des accidents ou dommages survenus à cause de non-respect du présent mode d'emploi et des consignes de sécurité.

1. Consignes de sécurité**Danger !**

Lisez toutes les consignes de sécurité et instructions. Le non-respect des consignes de sécurité et des instructions peut causer une électrocution, un incendie et / ou de graves blessures. **Conservez toutes les consignes de sécurité et instructions pour l'avenir.**

Cet appareil peut être utilisé par des enfants à partir de 8 ans et par des personnes aux capacités physiques, sensorielles ou mentales réduites ou qui manquent d'expérience et de connaissances lorsqu'elles sont surveillées ou ont été instruites de l'usage de l'appareil en toute sécurité et qui comprennent les dangers en résultant. Les enfants ne doivent pas jouer avec l'appareil. Les enfants ne doivent pas procéder au nettoyage et à l'entretien par l'utilisateur sans surveillance.

Le remplacement du câble de raccordement. Si le câble de raccordement de cet appareil est endommagé, il doit être remplacé par le fabricant ou par son service à la clientèle ou par une personne qualifiée semblable afin d'éviter tout danger.

- a) Le chargeur ne doit pas être utilisé pour des batteries normales non-rechargeables.
- b) Une aération suffisante est nécessaire.
- c) Les indications concernant le courant et la tension sur le bloc de batteries doivent correspondre à celles du chargeur.
- d) Ne pas exposer le chargeur aux projections de l'eau ni à la pluie.
- e) Ne pas jeter à l'eau les batteries usagées ou endommagées. Respecter les directives relatives à la protection de l'environnement.
- f) Une batterie défectueuse ou qui ne peut plus être rechargée doit être traitée comme des déchets dangereux. Déposez-la à un endroit spécifique. Ne la jetez pas dans les déchets ménagers, ni dans l'eau, ni dans le feu.
- g) Posez l'appareil à l'écart de toute source de chaleur.
- h) Pour réduire le risque d'une électrocution, retirez la fiche de la prise par la fiche et pas par le câble d'alimentation lorsque vous voulez débrancher le chargeur du secteur.
- i) Ne démontez pas le chargeur. Lorsque le service ou la réparation sont requis, apportez-le à un service de réparation autorisé. Un montage incorrect peut entraîner une décharge électrique susceptible de provoquer la mort ou le feu.
- j) Les enfants devraient être surveillés pour s'assurer qu'ils ne jouent pas avec l'appareil.

Conservez bien les consignes de sécurité.


2. Description de l'appareil et contenu de l'emballage

2.1 Description de l'appareil

1. Chargeur
2. Câble de recharge
3. Batterie
4. Touche d'arrêt

3. Caractéristiques techniques

Chargeur

Entrée 100-120 V A.C.~50-60 Hz, 20 W
Sortie 20 V , 0,8 A

Attention !

Le chargeur ne doit être utilisé que pour les batteries Li-ion de la série Power X-Change !

Power X-Change

- 18V 1,5Ah P-X-C batterie Li-ion
- 18V 2,0Ah P-X-C batterie Li-ion
- 18V 2,5Ah P-X-C batterie Li-ion
- 18V 3,0Ah P-X-C batterie Li-ion
- 18V 4,0Ah P-X-C batterie Li-ion
- 18V 5,2Ah P-X-C Plus batterie Li-ion
- 18V 4,0Ah/6,0Ah P-X-C Plus batterie Li-ion

4. Fonctionnement

Fig. 2+3

1. Retirer le pack de batterie (3) de la manche, tout en appuyant sur la touche d'arrêt (4).
2. Vérifier si la tension d'alimentation indiquée sur la plaque signalétique correspond à la tension d'alimentation en présence. Insérez la fiche secteur du chargeur (1) dans la prise. La LED verte se met à clignoter.
3. Placez la batterie (3) sur le chargeur (1).
4. Dans le point 8 « Affichage du chargeur », vous trouverez un tableau avec des significations de l'affichage LED sur le chargeur.

Si le chargement de la batterie n'est pas possible, veuillez vérifier

- si la prise se trouve sous tension
- si un contact correct est présent au niveau des contacts de charge du chargeur.

Si le chargement de la batterie n'est pas possible, nous vous prions

- le chargeur
 - et l'accumulateur
- à notre service à la clientèle.

Service à la clientèle :

Pour obtenir de l'assistance, veuillez contacter le centre de service à la clientèle d'Einhell USA® au numéro 1-866-EINHELL (1-866-346-4355).

Pour assurer une longue durée de vie de la batterie, vous devriez la recharger à temps. Dans tous les cas, vous devez le faire lorsque vous constatez que les performances de votre appareil sans fil baissent.

5. Nettoyage, entretien et commande de pièces de rechange

Avant tout travail de nettoyage, retirez la fiche secteur.

L'appareil ne doit pas être conservé en milieu humide ou dans des endroits contenant des gaz corrosifs, mais plutôt dans un endroit sec et hors de portée des enfants.

5.1 Nettoyage

Maintenez propre la surface de l'appareil et l'essuyez uniquement avec un linge sec.

5.2 Commande des pièces de rechange : Service

1. **Si votre outil électrique doit être réparé, veuillez contacter un distributeur autorisé d'Einhell USA ou appeler le centre de service à la clientèle d'Einhell USA au numéro 1-866-EINHELL (1-866-346-4355).** Seules les pièces de rechange identiques doivent être utilisées pour les réparations. Cela permet de garantir la sécurité de l'outil électrique.
2. **Si le câble du chargeur est endommagé, il doit être immédiatement remplacé pour empêcher un accident.** Pour obtenir de l'assistance, veuillez contacter le centre de service à la clientèle d'Einhell USA® au numéro 1-866-EINHELL (1-866-346-4355).

6. Élimination et revalorisation

L'appareil se trouve dans un emballage pour empêcher les dommages dus au transport. Cet emballage constitue une matière première et peut par conséquent être réutilisé ou peut être recyclé. L'appareil et ses accessoires sont fabriqués à partir de différents produits, comme p. ex. le métal et les matières plastiques. Ne jetez pas les appareils défectueux dans les déchets ménagers. Pour être éliminé de façon appropriée, l'appareil devrait être déposé à un lieu de collecte approprié. Si vous ne connaissez aucun lieu de collecte, informez-vous auprès de l'administration municipale.

7. Conservation

Conservez l'appareil et ses accessoires dans un endroit sombre, sec et exempt de gel ainsi que hors la portée des enfants. La température de conservation optimale se situe entre 41 °F et 86 °F (5 °C et 30 °C). Conservez l'outil électrique dans l'emballage d'origine.

FCC

(Commission fédérale des communications)

⚠ AVERTISSEMENT! Tout changement ou toute modification apportés à cet appareil et non approuvés par la partie à qui incombe la responsabilité de sa conformité pourrait annuler l'autorisation de l'utiliser.

Appareil de Classe B :

REMARQUE : ce matériel a été testé et il a été constaté qu'il est conforme aux limites des appareils numériques de Classe B, conformément à la Partie 15 des Règles de la FCC. Ces limites sont conçues pour fournir une protection raisonnable contre le brouillage préjudiciable dans une installation résidentielle. Ce matériel génère, utilise et peut rayonner une énergie de fréquence radio et, s'il n'est pas installé et utilisé conformément aux instructions, peut être à l'origine d'un brouillage préjudiciable aux communications radio. Toutefois, il n'est pas exclu que le brouillage affecte une installation particulière. Si cet appareil est à l'origine de brouillage préjudiciable à la réception radio et télévision, ce qui peut être déterminé en éteignant et en allumant l'appareil, l'utilisateur est invité à supprimer le brouillage en prenant une ou plusieurs des mesures suivantes :

- Réorienter ou repositionner l'antenne de réception.
- Augmenter la distance entre l'appareil et le récepteur.
- Brancher l'appareil dans la sortie d'un circuit différent de celui dans lequel le récepteur est branché.
- Pour de l'aide, consulter le revendeur ou un technicien radio/télévision qualifié.

Une réimpression ou toute autre reproduction de la documentation et des documents accompagnant les produits, même par extraits, ne sont autorisées qu'avec accord exprès d'Einhell Germany AG.

Sous réserve des modifications techniques.

8. Affichage du chargeur

État de l'affichage	Signification et mesure
Vert clignote	État opérationnel Le chargeur est branché au secteur et est prêt à fonctionner, la batterie ne se trouve pas dans le chargeur.
Rouge allumé	Chargement Le chargeur charge la batterie.
Vert allumé	La batterie est chargée et opérationnelle. (durée de charge 18V 1,5Ah P-X-C batterie Li-ion : env. 2h) (durée de charge 18V 2,0Ah P-X-C batterie Li-ion : env. 2½h) (durée de charge 18V 2,5Ah P-X-C Plus batterie Li-ion : env. 3¾h) (durée de charge 18V 3,0Ah P-X-C batterie Li-ion : env. 4h) (durée de charge 18V 4,0Ah P-X-C batterie Li-ion : env. 5h) (durée de charge 18V 5,2Ah P-X-C Plus batterie Li-ion : env. 6¼h) (durée de charge 18V 6,0Ah P-X-C Plus batterie Li-ion : env. 7½h) Opération : Retirez la batterie du chargeur. Débranchez le chargeur du secteur.
Rouge clignote	Erreur Le chargement n'est plus possible. La batterie ou le chargeur est défectueux. Opération : Une batterie défectueuse ne doit plus être chargée. Retirez la batterie du chargeur.
Rouge et vert clignotent en alternance	Problème de température La batterie est trop chaude (p. ex., rayonnement de soleil direct) ou trop froide (au-dessous de 32 °F (0 °C)). Opération : Retirez la batterie et laissez-la à la température ambiante (env. 68 °F (20 °C)) pendant une journée. Si cette erreur se répète, la batterie doit être complètement déchargée et ne doit plus être chargée ni utilisée. Retirez la batterie du chargeur. Si cela se reproduit, la batterie est défectueuse et doit être remplacée.



PROMESSE D'EINHELL À SES CLIENTS

LA QUALITÉ PRIME. Le nom d'Einhell est synonyme des outils performants et de la fabrication européenne de haute qualité. Des perceuses sans fil aux tondeuses à gazon électriques, Einhell USA conçoit et développe des outils électriques et de jardinage à main de pointe pour les bricoleurs, jardiniers amateurs et réparateurs.

Les équipes d'assurance de la qualité et d'ingénieurs d'Einhell USA garantissent que les produits subissent de sévères tests de qualité et de performance. Nous savons que parfois les outils solides traversent les époques dures. Si jamais vous avez un problème avec votre produit, soyez sûr que nous ferons tout notre possible pour vous rendre un outil prêt à travailler aussi dur que vous.

ENREGISTREMENT DU PRODUIT :

Einhell vous encourage vivement d'enregistrer votre achat. Vous pouvez enregistrer en ligne sur **EinhellUSA.com**. Si vous n'enregistrez pas le produit que vous avez acheté, cela n'affectera pas vos droits de garantie. Toutefois, si vous enregistrez votre achat, Einhell pourra mieux vous servir pour tous vos besoins de client.

QU'EST-CE QUI EST COUVERT ?

Einhell garantit au propriétaire que si cet appareil a un problème pendant une période de 2 ans à partir de la date d'achat à cause d'un défaut de matériau ou de fabrication ou en raison de l'usure normale au cours d'un usage domestique normal, Einhell enverra une pièce ou un produit de rechange, au besoin, gratuitement et sans frais de port à l'acheteur initial. Si, à la seule discrétion d'Einhell, l'appareil défectueux ne peut pas être réparé avec une pièce, Einhell soit (A) enverra gratuitement et sans frais de port un nouvel appareil, soit (B) remboursera au propriétaire la totalité du prix d'achat.

QUI PEUT SOLLICITER LA COUVERTURE DE GARANTIE ?

Cette garantie est consentie par Einhell au propriétaire de cet appareil (un « appareil » consiste en un produit alimenté par un moteur) pour un usage domestique personnel exclusivement. Cette garantie est limitée aux trente (30) jours à compter de l'achat initial de tout produit de marque EINHELL utilisé à des fins commerciales ou à d'autres fins lucratives. Si la propriété de cet appareil change pendant la période couverte, veuillez mettre à jour l'information relative au propriétaire de l'appareil sur **EinhellUSA.com**

QU'EST-CE QUI N'EST PAS COUVERT ?

Cette garantie ne couvre pas les produits ayant fait l'objet d'un usage abusif ou négligent, d'un manque d'entretien, ayant été impliqués dans un accident ou employés d'une façon contraire au mode d'emploi, comme c'est spécifié dans le guide d'utilisation. Cette

garantie ne couvre pas les modifications superficielles n'affectant pas la performance.

Cette garantie n'est valable que si l'appareil est utilisé et entretenu conformément aux instructions, avertissements et mises en garde figurant dans le manuel du propriétaire. Einhell ne sera pas responsable du coût des réparations de garantie non autorisées. Cette garantie ne couvre pas les coûts et dépenses engagés par l'acheteur pour se procurer un équipement ou un service de substitution pendant les périodes raisonnables de dysfonctionnement ou de non-utilisation de ce produit dans l'attente d'une pièce ou d'une unité de rechange en vertu de cette garantie.

Les pièces d'usure, comme les courroies, les vis sans fin, les chaînes et les dents, ne sont pas couvertes par cette garantie et peuvent être achetées sur **EinhellUSA.com** ou en appelant au numéro **1-866-EINHELL (1-866-346-4355)**. Les batteries sont entièrement couvertes pendant 90 jours à partir de la date d'achat.

La réparation, le remplacement et le remboursement du prix d'achat sont les seuls moyens de l'acheteur et la seule responsabilité d'Einhell au titre de cette garantie. Les employés et les représentants d'Einhell ne sont pas autorisés à concéder une garantie supplémentaire ni à apporter une modification de cette garantie susceptible d'engager Einhell. Par conséquent, l'acheteur ne devrait pas se fier aux déclarations supplémentaires faites par un employé ou un représentant d'Einhell. En aucun cas, sur la base d'un contrat, d'une indemnisation, d'une garantie, d'un tort (y compris la négligence), d'une responsabilité sans faute, etc., Einhell ne sera responsable des dommages spécifiques, indirects, accessoires ou consécutifs, y compris mais sans s'y limiter la perte de bénéfices ou de revenus.

Certains États n'autorisent pas de limitations aux garanties. Dans tels États, les limitations ci-dessus pourraient ne pas s'appliquer à vous.

D'autres garanties peuvent s'appliquer en dehors des États-Unis et le Canada.









A series of 20 horizontal lines for writing, starting from the line where the pencil is positioned and extending down the page.



www.EinhellUSA.com

EH 07/2021 (02)