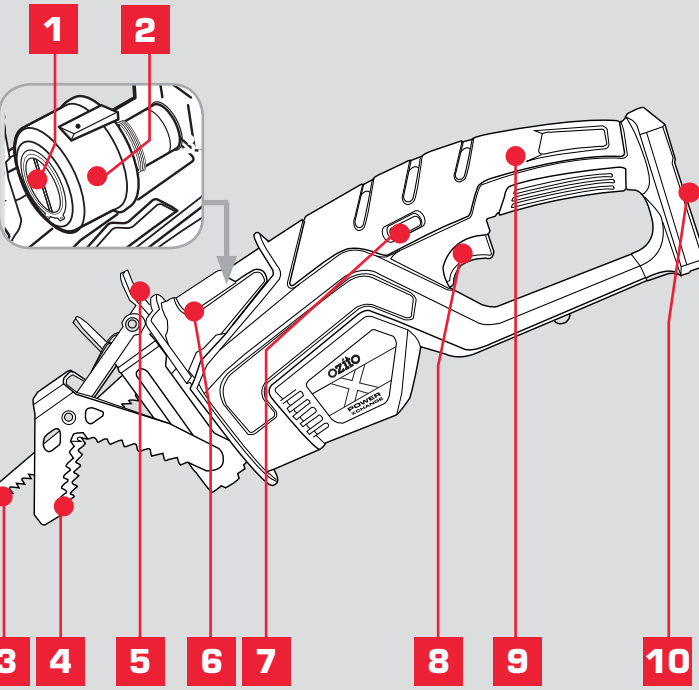


KNOW YOUR PRODUCT

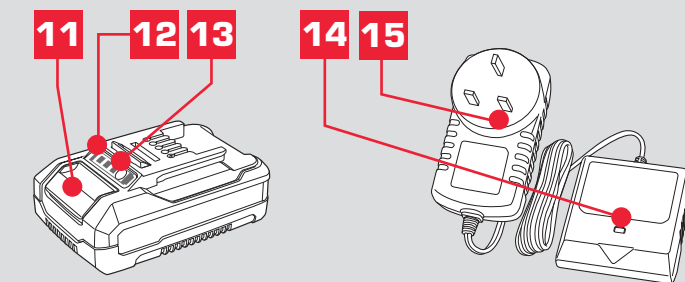
CORDLESS PRUNING SAW

- 1. Blade Holder
- 2. Locking Sleeve
- 3. Blade
- 4. Clamping Jaw
- 5. Clamp Lever
- 6. Protective Cover
- 7. Safety Switch
- 8. Variable Speed Trigger
- 9. Main Handle
- 10. Battery Seating



ACCESSORIES

- 11. Battery Release Tab
- 12. Battery Charge LED's
- 13. Battery Charge Indicator Button
- 14. Charger LED
- 15. Charger



ONLINE MANUAL

Scan this QR Code with your mobile device to take you to the online manual.



5 YEAR
REPLACEMENT WARRANTY*

SETUP & PREPARATION

1. BEFORE USE

Items Supplied

Please check that the article is complete as specified in the scope of delivery. If parts are missing, please contact our service centre or the sales outlet where you made your purchase at the latest within 5 working days after purchasing the product and upon presentation of a valid bill of purchase. Also, refer to the warranty table in the service information at the end of the operating instructions.

- Open the packaging and take out the equipment with care.
- Remove the packaging material and any packaging and/or transportation braces (if available).
- Check to see if all items are supplied.
- Inspect the equipment and accessories for transport damage.
- If possible, please keep the packaging until the end of the guarantee period.

DANGER! THE EQUIPMENT AND PACKAGING MATERIAL ARE NOT TOYS. DO NOT LET CHILDREN PLAY WITH PLASTIC BAGS, FOILS OR SMALL PARTS. THERE IS A DANGER OF SWALLOWING OR SUFFOCATION!

Proper Use

The pruning saw is designed for sawing wood, iron, non-ferrous metals and plastics using the appropriate saw blades.

The equipment is to be used only for its prescribed purpose. Any other use is deemed to be a case of misuse. The user / operator and not the manufacturer will be liable for any damage or injuries of any kind caused as a result of this.

Please note that our equipment has not been designed for use in commercial, trade or industrial applications. Our warranty will be voided if the machine is used in commercial, trade or industrial businesses or for equivalent purposes.

2. CUTTING BLADE

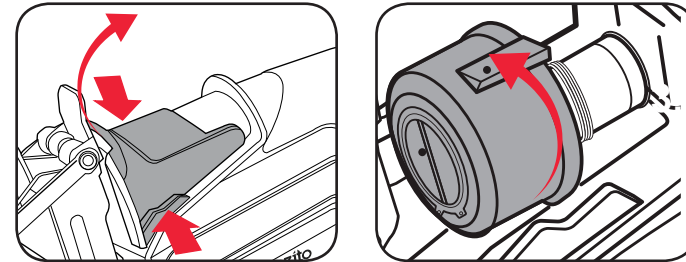
WARNING! ENSURE THE BATTERY IS DISCONNECTED FROM THE TOOL BEFORE PERFORMING ANY OF THE FOLLOWING OPERATIONS.

CAUTION! DO NOT HANDLE BLADES WITHOUT GLOVES AS THEY ARE SHARP AND CAN BECOME HOT AFTER USE, POTENTIALLY CAUSING PERSONAL INJURY.

Fitting a Cutting Blade

The pruning saw can be fitted with standard reciprocating saw blades, therefore can be used to cut various timbers and plastics.

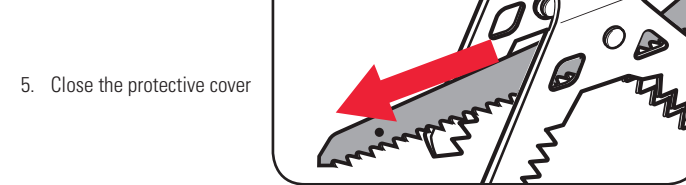
1. Press both sides of the protective cover and open it.
2. Rotate and hold the blade holder as shown.



3. Insert the cutting blade into the blade holder then release the blade holder



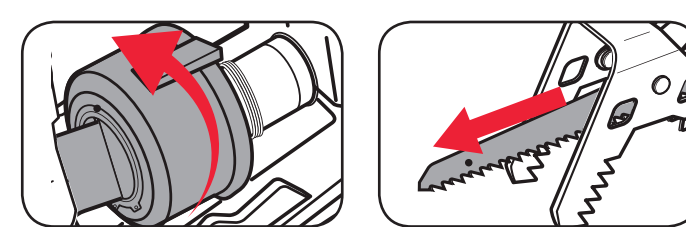
4. Ensure the blade is secure by pulling on the blade.



5. Close the protective cover

Removing the Cutting Blade

1. Open the protective cover.
2. Rotate and hold the blade holder as shown.
3. Remove the cutting blade from the blade holder.



4. Close the protective cover

3. BATTERY AND CHARGING

CAUTION! THE CHARGER FOR THIS PRODUCT SHOULD BE PROTECTED BY A RESIDUAL CURRENT DEVICE (RATED AT 30mA OR LESS).

Charging your lithium ion battery - Eco Charger

The tools battery has been shipped in a low charge condition, and requires charging prior to use. Allow several cycles of charging and discharging (through use of the tool) for the battery to reach its optimum performance / runtime.

1. Connect the charger into a mains power outlet.

2. The charger LED will flash green showing power is being supplied to the charger.

3. With the battery sitting on a flat surface, align the raised ribs on the battery with the recess in the charger and slide onto the battery ensuring a firm connection.

4. The charger LED will illuminate red signifying that the battery is charging.

5. When removing the charger from the battery, first press the battery release tab, then slide the charger from its position.

Charger LED Indicator

| LED Indicator | Situation |
|------------------------|--|
| GREEN (Flashing) | Stand By (no battery pack is inserted) |
| RED (Illuminated) | Battery is charging (low charge) |
| GREEN (Illuminated) | Battery is fully charged |
| RED (Flashing) | Battery or Charger fault |
| RED & GREEN (Flashing) | Battery pack is too hot or too cold (remove battery from charger and store at room temperature 20°C. Insert battery again when at correct charging temperature). If this happens again, the battery is defective and needs to be replaced. |

Battery Charge Indicator

The purchased battery is equipped with a battery charge indicator to show the state of the battery charge.

Press the charge indicator button and look to see which LED lights.

- Battery requires immediate charging
- Low state of charge, requires charging soon.
- Mid state of charge
- Full state of charge.

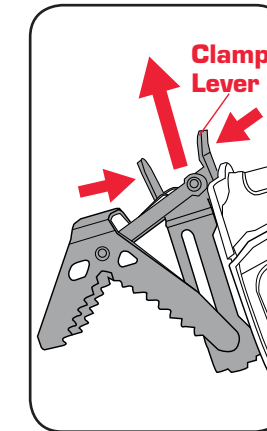
Note: The battery needs to be removed from the tool to check the state of charge.

4. PREPARATION

The clamping jaw allows branches to be gripped up to Ø60mm, providing cutting of unsupported branches easier. When cutting wider branches or timber, the clamping jaw can be removed and the pruning saw can be used as a standard reciprocating saw.

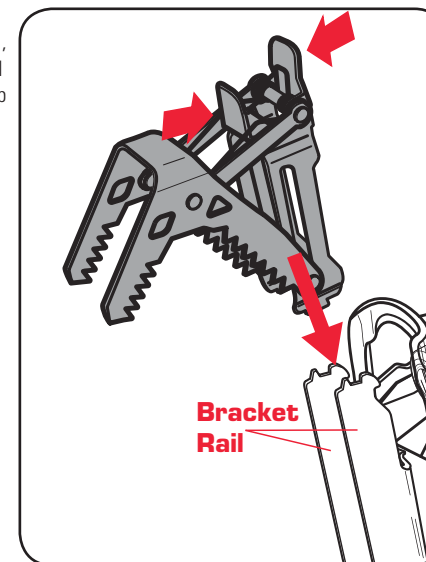
Removing the Clamping Jaw

1. Press the clamp lever and pull the bracket from the bracket rail.



Fitting the Clamping Jaw

1. First align the clamping jaw with the bracket rail, then slide it onto the rail while pressing the clamp lever.

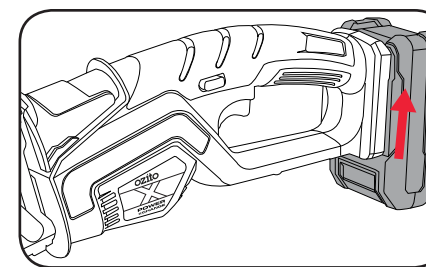


2. Release the clamp lever to lock in place.

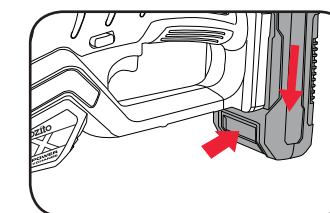
Note: Ensure the clamp jaw is secured by pulling the clamp jaw away from the body.

Installing and Removing the Battery

1. Slide the battery in so that it clicks into place.



2. To remove, press and hold the battery release tab to release the battery, then slide the battery out.

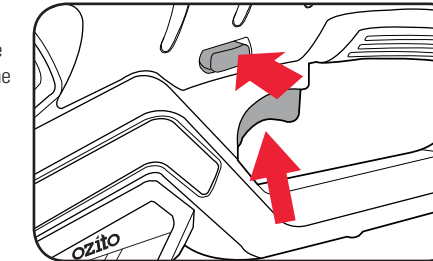


OPERATION

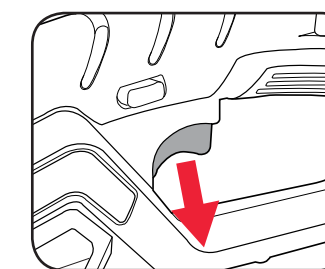
5. CONTROLS

Switching the Saw On and Off

1. Push the safety switch in from either side of the tool and then squeeze the variable speed trigger to start the pruning saw.



2. Release the variable speed trigger to stop the pruning saw.



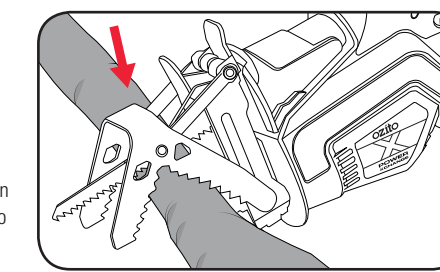
Torque Control Trigger

When the variable speed trigger is fully depressed and the saw has started the cut into the timber, based on load, the blade will speed up to complete the cut.

6. OPERATION

Cutting Branches Using the Clamping Jaw

1. Ensure the blade and the clamping jaw is secured correctly and hold the saw firmly.
2. Place the branch in between the clamping jaws and then lower to perform the cut.

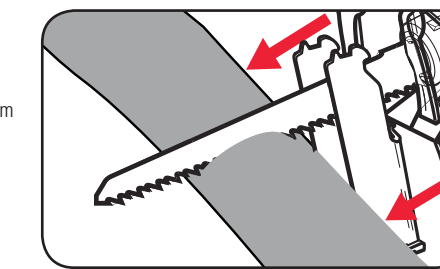


Note: The clamping jaw helps to guide the saw when cutting round branches up to Ø70mm.

Cutting Without the Clamping Jaw

When cutting thicker branches (up to Ø90mm) or sawing wood or plastic the clamping jaws can be removed to prevent them getting in the way of the cut.

1. Position the bracket rail of the saw onto the material to be cut for stability and then perform the cut holding the saw firmly.



MAINTENANCE

WARNING! BEFORE CLEANING YOUR PRUNER OR CARRYING OUT ANY MAINTENANCE PROCEDURE, MAKE SURE THAT THE MOTOR IS OFF AND THE BATTERY REMOVED TO PREVENT ACCIDENTAL STARTING.

- When not in use, the tool should be stored in a dry, frost free location, keep out of children's reach.
- Keep ventilation slots of the saw clean at all times and prevent anything from entering.
- If the housing of the saw requires cleaning, do not use solvents. Use of a cloth only is recommended.
- Blow out the ventilation slots with compressed air periodically.
- The blade can be sprayed with light oil to avoid rusting.

Note: Ozito Industries will not be responsible for any damage or injuries caused by repair of the pruning saw by an unauthorised person or by mishandling.

TROUBLESHOOTING

Variable speed trigger is locked

Ensure that the safety switch is pressed left or right to enable the trigger to be pressed.

The blade will not insert or remove from the blade holder

Ensure the blade holder is rotated completely clockwise before trying to insert or remove the blade.

Saw has cut out during use

The battery may have run out of power and requires charging. If the battery is fully charged, it is likely that the battery's thermal voltage protection has been activated. This can happen when the saw has been used for extended periods.

Place the battery on the charger for an hour. It will need this time to cool down and for the protection circuits to be reset.

Saw suddenly speeds up

This is normal. Once the saw has started the cut into the timber, based on load, the blade will speed up to complete the cut.

Sparking visible through the housing air vents

A small amount of sparking may be visible through the housing vents. This is normal and does not indicate a problem.

Battery protection system

The tool is equipped with the battery protection system, which helps to ensure a long service life.

The output power automatically cuts off during operation when the tool and/or battery are placed under the following situations:

- **When the tool is overloaded:**
If this occurs, release the trigger switch and remove causes of overload, then press and hold the lock-off button and squeeze the variable speed trigger again to restart.
- **When the remaining battery capacity becomes low:**
Recharge the battery packs

Note: The battery protection system does not in any way damage the tool.

Note: The indicated capacity may be lower than the actual level during use or immediately after using the tool.

LED lights do not illuminate on charger

Check the charging adaptor is securely plugged into the wall outlet.

Check the battery is firmly connected to the charging cradle.

Check that the charging jack is securely connected to the charging cradle.