

GB Original operating instructions  
Cordless Lawn Mower

**Einhell**<sup>®</sup>

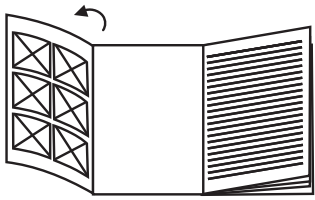
7



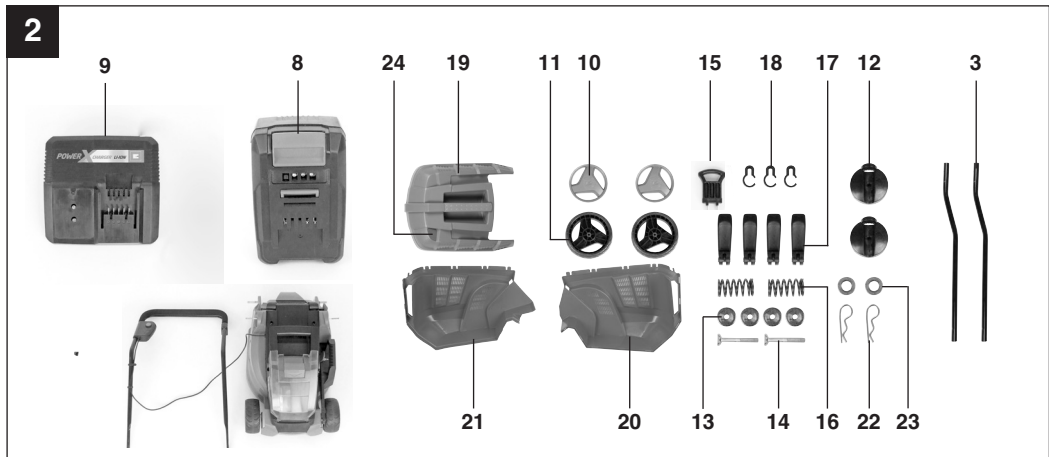
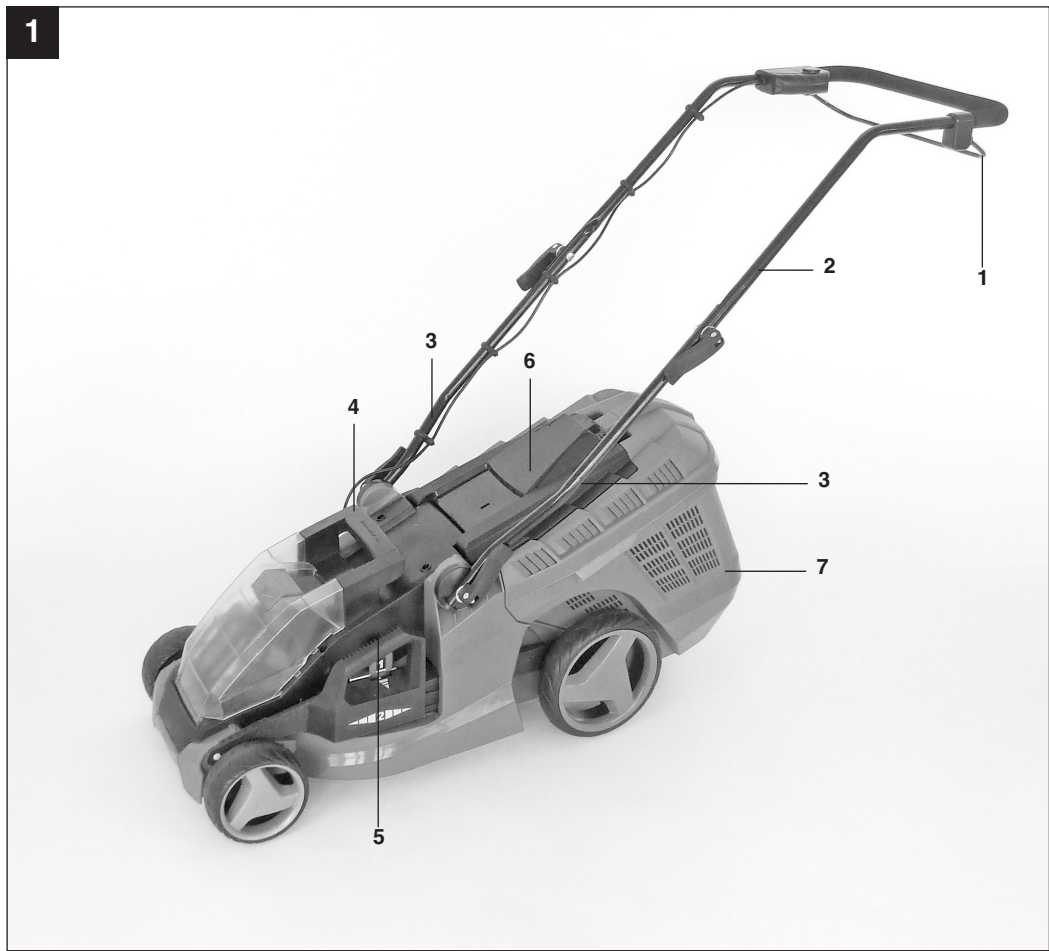
Art.-Nr.: 34.130.68

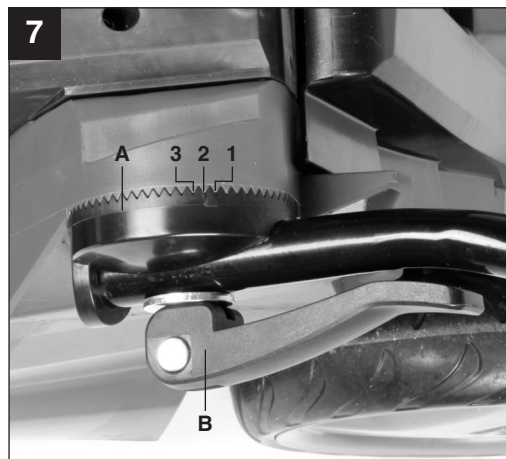
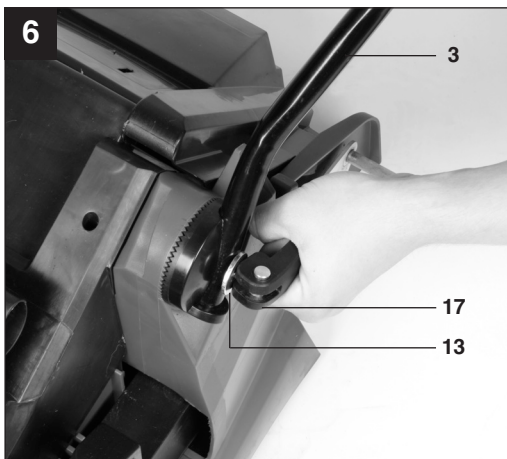
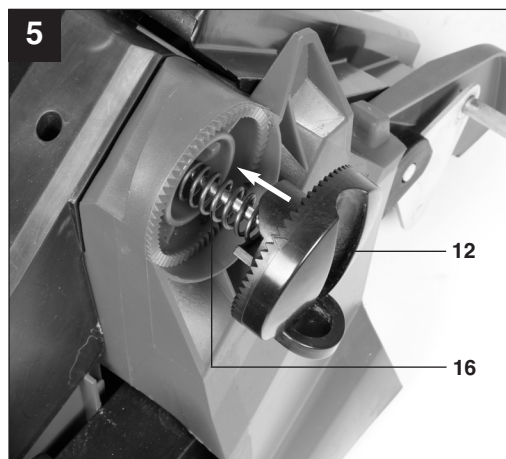
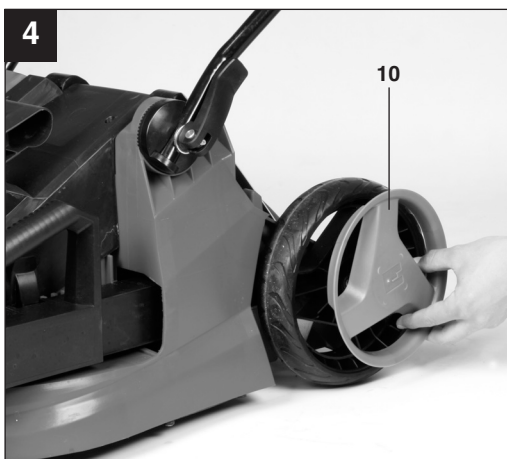
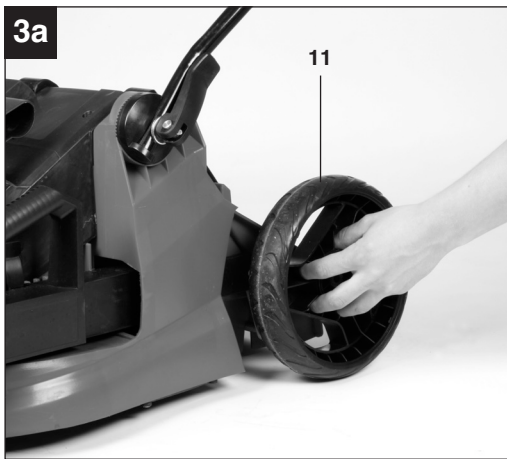
I.-Nr.: 11013

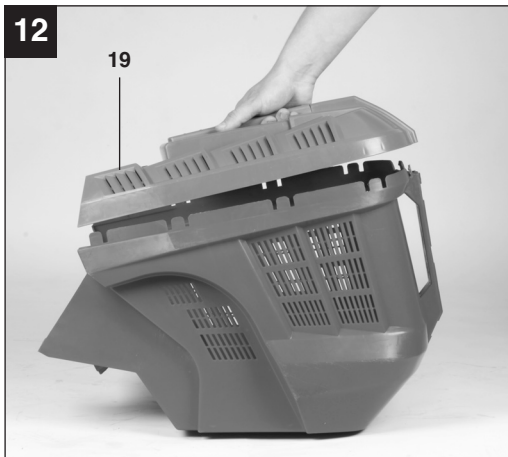
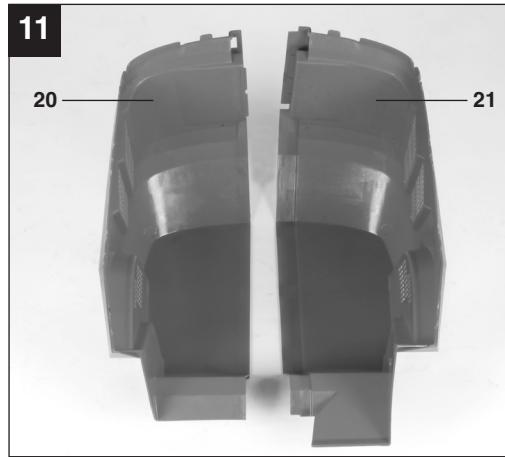
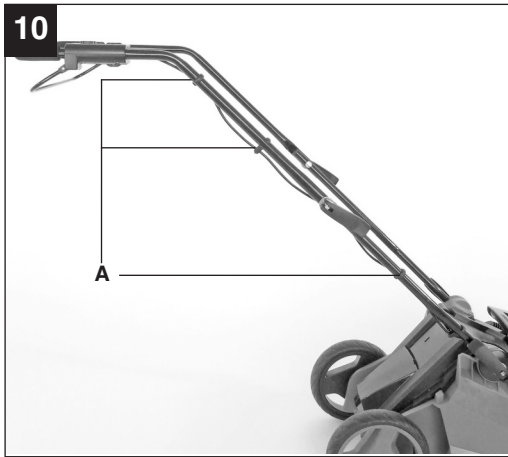
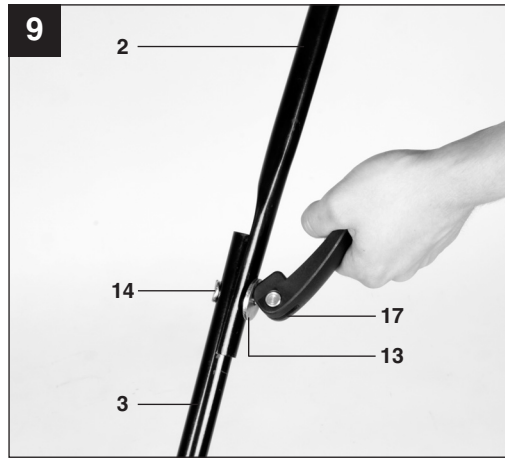
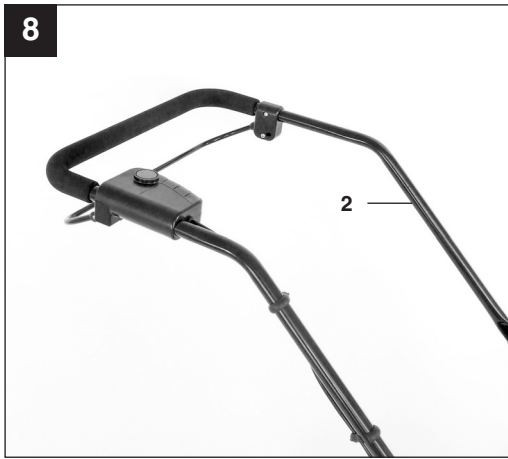
GE-CM **36 Li**

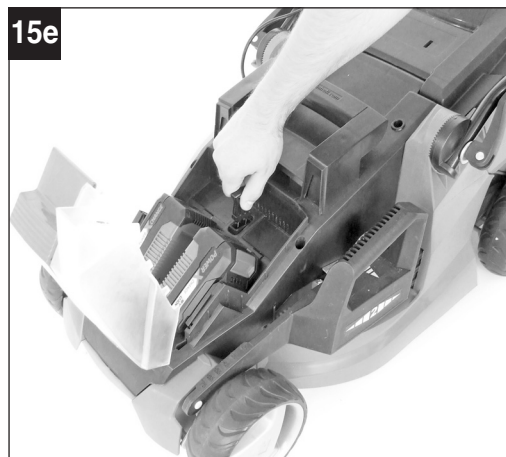
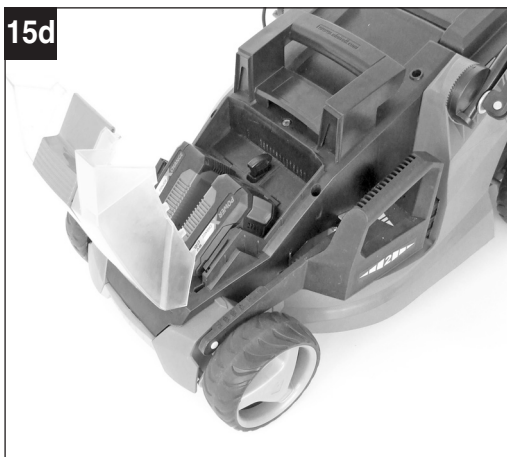
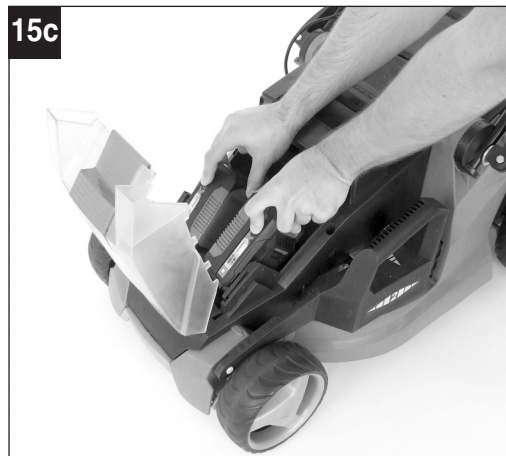
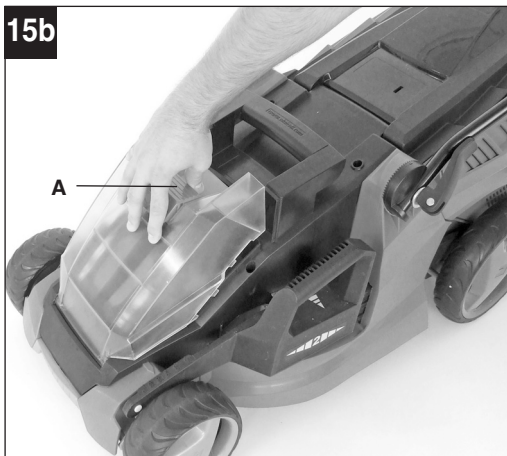
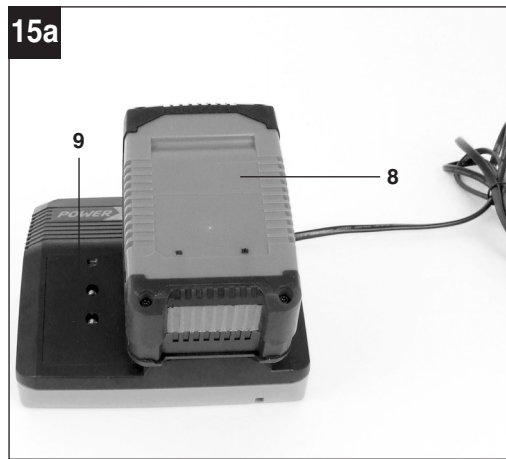
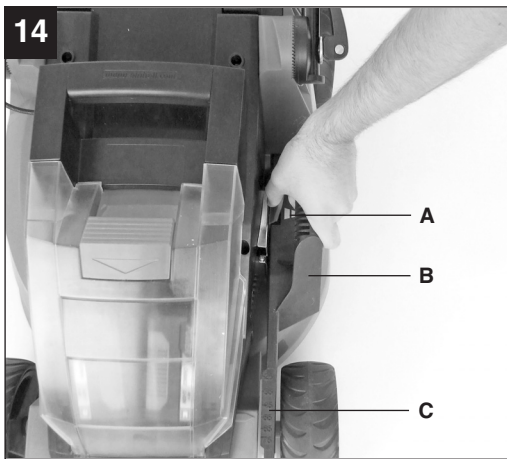


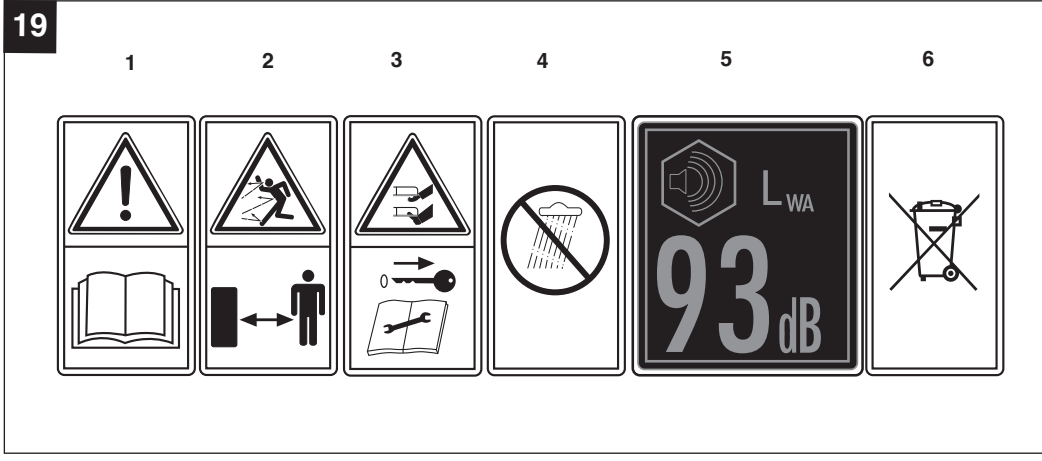
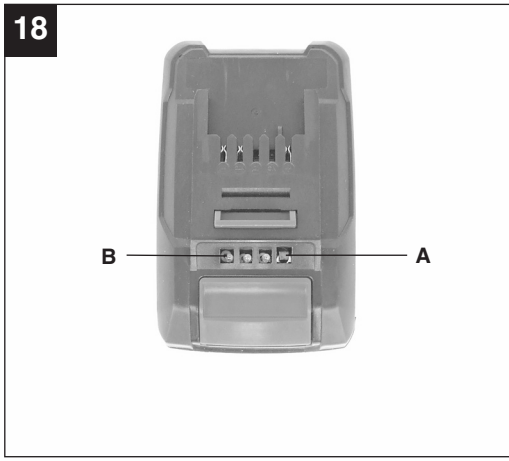
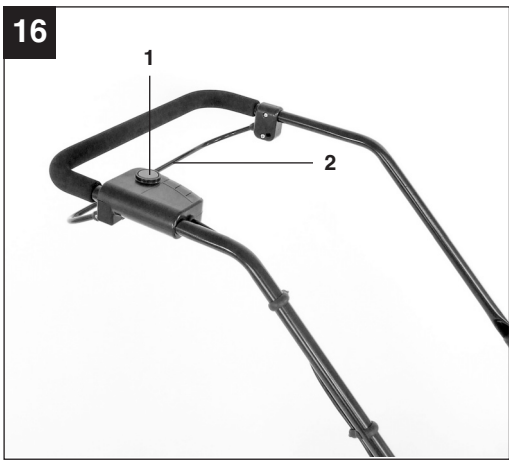
Ⓞ Please fold out page 2 - 5













**GB**



“Caution - Read the operating instructions to reduce the risk of injury”



**Table of contents:**

1. Safety information
2. Layout
3. Items supplied
4. Intended use
5. Technical data
6. Before starting the equipment
7. Operation
8. Replacing the power cable
9. Cleaning, maintenance and ordering of spare parts
10. Storage
11. Disposal and recycling
12. Troubleshooting guide

**GB****⚠ Important.**

When using the equipment, a few safety precautions must be observed to avoid injuries and damage. Please read the complete operating instructions and safety information with due care. Keep these operating instructions in a safe place so that the information is available at all times. If you give the equipment to any other person, hand over these operating instructions and the safety information as well. We cannot accept any liability for damage or accidents which arise due to a failure to follow these instructions and the safety information.

**1. Safety information**

Please refer to the booklet included in delivery for the safety information.

**⚠ CAUTION**

**Read all the safety regulations and instructions.** Any errors made in following the safety information and instructions set out below may result in an electric shock, fire and/or serious injury.  
**Keep all safety information and instructions in a safe place for future use.**

This equipment is not designed to be used by people (including children) with limited physical, sensory or mental capacities or those with no experience and/or knowledge unless they are supervised by a person who is responsible for their safety or they have received instructions from such a person in how to use the equipment safely. Children must always be supervised in order to ensure that they do not play with the equipment.

**Explanation of the warning signs on the equipment (see Fig. 19)**

- 1= Read the directions for use before operating the equipment.
- 2= Keep all other persons away from the danger zone.
3. Caution: Sharp blades! Pull out the safety plug before carrying out any repair work or if the power cable is damaged. The blades will continue to rotate after the motor is switched off.
4. Protect the equipment from rain and damp conditions
5. Guaranteed sound power level: 92 dB
6. Dispose of batteries correctly

**2. Layout (Fig. 1/2)**

1. ON/OFF switch
2. Top push bar
3. Push bar holder (2x)
4. Carry handle
5. Central cutting height adjustment:
6. Ejector flap
7. Grass basket
8. Battery
9. Safety plug
10. Rear wheel cap (2x)
11. Rear wheel (2x)
12. Handlebar mount (2x)
13. Washer (4x)
14. Fastening screw for top push bar (2x)
15. Safety plug
16. Spring (2x)
17. Nut for top and bottom push bar (4x) with quick clamping function
18. Cable clips
19. Grass basket, top part of the housing
20. Grass basket, right part of the housing
21. Grass basket, left part of the housing
22. Split pin (2x)
23. Washer (2x)
24. Level indicator

**3. Items supplied**

- Open the packaging and take out the equipment with care.
- Remove the packaging material and any packaging and/or transportation braces (if available).
- Check to see if all items are supplied.
- Inspect the equipment and accessories for transport damage.
- If possible, please keep the packaging until the end of the guarantee period.

**IMPORTANT**

**The equipment and packaging material are not toys. Do not let children play with plastic bags, foils or small parts. There is a danger of swallowing or suffocating!**

- Lawn Mower
- Original operating instructions
- Safety information

## 4. Intended use

The lawn mower is intended for private use i.e. for use in home and gardening environments.

Private use of the lawn mower refers an annual operating time generally not exceeding that of 50 hours, during which time the equipment is primarily used to maintain small-scale, residential lawns and home/hobby gardens. Public facilities, sporting halls, and agricultural/forestry applications are excluded.

Important. Due to the high risk of bodily injury to the user, the lawn mower may not be used to trim bushes, hedges or shrubs, to cut scaling vegetation, planted roofs, or balcony-grown grass, to clean (suck up) dirt and debris off walkways, or to chop up tree or hedge clippings. Moreover, the lawn mower may not be used as a power cultivator to level out high areas such as molehills.

For safety reasons, the lawn mower may not be used as a drive unit for other work tools or toolkits of any kind, unless they have been expressly permitted by the manufacturer.

The equipment is to be used only for its prescribed purpose. Any other use is deemed to be a case of misuse. The user/operator and not the manufacturer will be liable for any damage or injuries of any kind caused as a result of this.

Please note that our equipment has not been designed for use in commercial, trade or industrial applications. Our warranty will be voided if the equipment is used in commercial, trade or industrial businesses or for equivalent purposes.


## 5. Technical data

Idling speed:	3,000 min <sup>-1</sup>
Protection class:	III
Weight:	16.9 kg
Cutting width:	36 cm
Volume of catch bag:	40 liters
L <sub>pA</sub> sound pressure level	79.1 dB(A)
K <sub>pA</sub> uncertainty	3 dB(A)
L <sub>WA</sub> sound power level	93 dB(A)
Vibration at the handlebar:	≤ 2.5 m/s <sup>2</sup>
K uncertainty:	1.5 m/s <sup>2</sup>
Cutting height adjustment:	25-75 mm; 6 levels
Protection type:	IPX1

### 2x Lithium-ion battery

Voltage:	18 V DC
Capacity:	3.0 Ah

### 2x Battery charger

Input voltage:	230 V ~
Output voltage:	21 V DC
Output current:	3.0 A
Protection class:	II / 

Sound and vibration values were measured in accordance with the standards EN ISO 3744:1995, EN ISO 11201:1995 and EN ISO 20643:2005.

### Reduce noise generation and vibration to a minimum!

- Use only equipment that is in perfect condition.
- Maintain and clean the equipment regularly.
- Adopt your way of working to the equipment.
- Do not overload the equipment.
- Have the equipment checked if necessary.
- Switch off the equipment when not in use.
- Wear gloves.

## 6. Before starting the equipment

The lawn mower is delivered unassembled. The complete push bar, the rear wheels and the grass basket must be assembled before using the lawn mower. Follow the operating instructions step-by-step and use the pictures provided as a visual guide to easily assemble the equipment.

### Fitting the wheels (Figures 3a, b and 4)

Take the rear wheels (Figure 2/Item 11) and mount them on the axle as shown in Figure 3a. Then slide the washer (Figure 2/Item 23) onto the axle and fasten all parts with the supplied split pin (Figure 2/Item 22) as shown in Figure 3b. Finally, press the wheel caps (Figure 2/Item 10) onto the wheels (Figure 4).

### Mounting the push bar (Fig. 5 to 10)

First take the spring (Figure 2/Item 16) and the handlebar mount (Figure 2/Item 12) and mount them on the relevant axle (Figure 5). Now insert the push bar holder (Figure 2/Item 3) into the handlebar mount (Figure 2/Item 12) and secure with the quick clamping function (Figure 2/Item 17) (Figure 6). The top push bar (Figure 1/Item 2) must be pushed onto the push bar holders (Figure 2/Item 3) and secured as shown above in Figure 9. Then attach the power cable to the push bar (Fig. 10/Item A) using the cable clips (Fig. 2/Item 18). Now you can select the push bar height in three steps from 93.5 to 115.5 cm (Figure 7/Item A).

#### Important.

The handle height may only be adjusted within the marked range.

- Press in the long handle and secure in the desired position using the quick clamping function (Figure 7/Item B)

#### Important.

Always set the identical handle height on both sides.

- Use the cable clips to align the cable in accordance with the long handle (Figure 10/Item A)

### Mounting the grass basket (see Figs. 11 to 13)

First, plug the left (Fig. 2/Item 21) and right (Fig. 2/Item 20) part of the housing together as shown in Figure 11. Then plug the top part of the housing (Fig. 2/Item 19) onto the already mounted parts (Figure 12). Before you fit the grass basket you must ensure that the motor is switched off and the blade is not rotating. Lift the ejector flap (Fig. 13 / Item A) with one hand. With the other hand, hold the grass basket by the handle and hook it in from above (Fig. 13).

12

### Filling level indicator of the grass collector

The grass collector is equipped with a filling level indicator (Fig. 2/Item 24) which is opened by the air current that the lawn mower generates during operation. If the flap closes during mowing, the grass collecting device is full and must be emptied. To ensure the proper functioning of the filling level indicator, the holes under the flap must be kept clean and open.

### Adjusting the cutting height

#### Important.

Adjust the cutting height only when the engine is switched off and the power cable has been disconnected.

Before you begin to mow, check to ensure that the blade is not blunt and that none of the fasteners are damaged. To prevent any imbalance, replace blunt and/or damaged blades. To carry out this check, first switch off the motor and pull out the power plug.

The cutting height is adjusted as follows (see Fig. 14):

1. Push the lever (A) outwards.
2. Set the lever (B) to the desired cutting height.
3. Release the lever (A) and check that it is securely seated in the lock.

### Reading off the cutting height

The cutting height can be set between 25-75 mm in 6 intervals, and can be read off on the scale (Fig. 14/C).

### Charging the battery pack (Fig. 15a)

1. Take the battery pack out of the equipment. Do this by pressing the side pushlock buttons.
2. Check that your mains voltage is the same as that marked on the rating plate of the battery charger. Insert the power plug of the charger (9) into the mains socket outlet. The green LED will then begin to flash.
3. Insert the battery pack (8) into the battery charger (9).
4. In section "Charger indicator" you will find a table with an explanation of the LED indicator on the charger.

If the battery fails to charge, please check

- whether there is voltage at the socket outlet
- whether there is good contact at the charging contacts of the charging unit

If the battery still fails to charge, send

- the charging unit
  - and the screwdriver
- to our customer service center.

To ensure that the battery pack provides long service you should take care to recharge it promptly. Recharging is always necessary when you notice a drop in the performance of your cordless grass trimmer.

**Never fully discharge the battery pack. This will cause it to develop a defect.**

#### **Installing the battery (Fig. 15b-15d)**

Open the battery cover. This is done by pulling the snap fastener (Fig. 15b/Item A) as shown in Fig. 15b and swinging up the cover. Then insert the two batteries in the mounts as shown in Fig. 15c.

Important.

**Use only batteries which are charged to the same level. Never combine full and half-full batteries. Always charge the two batteries simultaneously.**

**The equipment's operating time depends on the battery with the lower charge level. The two batteries must always be fully charged before use.**

Close the battery cover by swinging it down, and make sure that it latches in place correctly.

#### **Battery capacity indicator (Fig. 18)**

Press the switch for the battery capacity indicator (Fig. 18/Item A). The battery capacity indicator (Fig. 18/Item B) shows the charge status of the battery using 3 LEDs.

#### **All 3 LEDs are lit:**

The battery is fully charged.

#### **2 or 1 LED(s) are lit:**

The battery has an adequate remaining charge.

#### **1 LED blinks:**

The battery is empty, recharge the battery.

#### **All LEDs blink:**

The battery pack has undergone exhaustive discharge and is defective. Do not use or charge a defective battery pack.

## 7. Operation

### **Important.**

**The lawn mower is equipped with a safety circuit to prevent unauthorized use. Directly before starting up the lawn mower insert the safety plug (Figure 16e) and remove the safety plug again whenever you interrupt or terminate your work.**

### **Important.**

To prevent the equipment switching on accidentally, the lawn mower is equipped with a safety switch (Fig. 16/Item 1) which must be pressed before the switching bar (Fig. 16/Item 2) can be activated. The lawn mower switches itself off when the switching bar is released. Repeat this process several times so that you are sure that the machine functions properly. Before you perform any repair or maintenance work on the equipment, ensure that the blade is not rotating and that the power supply is disconnected.

**Important. Never open the chute flap when the grass basket has been detached (to be emptied) and the engine is still running. A rotating blade can cause serious injuries!**

Always carefully fasten the chute flap and grass basket. Switch off the engine before emptying the grass basket.

Always ensure that a safe distance (provided by the length of the long handles) is maintained between the user and the mower housing. Be especially careful when mowing and changing direction on slopes and inclines. Maintain a solid footing and wear sturdy, non-slip footwear and long trousers.

Always mow along the incline (not up and down). For safety reasons, the lawn mower may not be used to mow inclines whose gradient exceeds 15 degrees.

Use special caution when backing up and pulling the lawn mower. Tripping hazard!

### **Tips for proper mowing**

It is recommended that you overlap mowing paths a little.

Only use a sharp blade that is in good condition. This will prevent the grass blades from fraying and the lawn from turning yellow.

Try to mow in straight lines for a nice, clean look. The swaths should overlap each other by a few centimeters in order to avoid stripes.

How frequently you should mow your lawn is determined primarily by the speed at which the grass grows. In the main growing season (May - June) you will probably need to mow the lawn twice a week, otherwise just once a week. The cutting height should be between 4 - 6cm and the amount of growth before mowing again should be 4 - 5cm. If the grass is allowed to grow somewhat longer on occasion, never make the mistake of cutting it back to the normal

**GB**

height in one go. This will harm the lawn. Never cut it back by more than half the height in one go.

Keep the underside of the mower housing clean and remove grass build-up. Deposits not only make it more difficult to start the mower; they decrease the quality of the cut and make it harder for the equipment to bag the grass.

Always mow along inclines (not up and down). You can prevent the lawn mower from slipping down by holding a position at an angle upwards.

Select the cutting height according to the length of the grass. If the lawn has grown quite a bit, mow over it several times so that no more than 4 cm of grass are cut at one time.

Switch off the motor before doing any checks on the blade. Keep in mind that the blade continues to rotate for a few seconds after the engine has been switched off. Never attempt to manually stop the blade. Regularly check to see if the blade is securely attached, is in good condition and is sharp. If the contrary is the case, sharpen the blade or replace it. In the event that the blade strikes an object, immediately switch off the lawn mower and wait for the blade to come to a complete stop. Then inspect the condition of the blade and the blade mount. Replace any parts that are damaged.

Lay the power cable on the ground in loops in front of the power outlet. Mow away from the power outlet and cable, making sure that the power cable always trails in the mowed grass so that the lawn mower does not travel over the cable.

As soon as grass clippings start to trail the lawn mower, it is time to empty the grass basket.  
**Important. Before taking off the grass basket, switch off the engine and wait until the blade has come to a stop.**

To take off the grass basket, use one hand to lift up the chute flap and the other to grab onto the basket handle. Remove the basket. For safety reasons, the chute flap automatically falls down after removing the grass basket and closes off the rear chute opening. If any grass remains in the opening, it will be easier to restart the engine if you pull the mower back approximately 1m.

Do not use your hands or feet to remove clippings in or on the mower housing, but instead use suitable tools such as a brush or a hand broom.

In order to ensure that the majority of grass clippings are picked up, the inside of both the grass basket and especially the net must be cleaned after each use.

Reattach the grass basket only when the engine is switched off and the blade is stopped.

Using one hand, lift up the chute flap, while grabbing onto the basket handle with the other. Hang in the basket from the top.

## 8. Cleaning, maintenance and ordering of spare parts

Pull the safety plug before carrying out any cleaning work (Figure 15e).

### 8.1 Cleaning

- Keep all safety devices, air vents and the motor housing free of dirt and dust as far as possible. Wipe the equipment with a clean cloth or blow it down with compressed air at low pressure.
- We recommend that you clean the equipment immediately after you use it.
- Clean the equipment regularly with a damp cloth and some soft soap. Do not use cleaning agents or solvents; these may be aggressive to the plastic parts in the equipment. Ensure that no water can get into the interior of the equipment.

### 8.2 Carbon brushes

In case of excessive sparking, have the carbon brushes checked only by a qualified electrician. Important. The carbon brushes should not be replaced by anyone but a qualified electrician.

### 8.3 Servicing

- Worn out or damaged blades, blade mounts, and bolts should be replaced as a set by an authorized professional in order to keep the equipment in balance.
- Do not clean the lawn mower with running water, particularly with high-pressure water. Ensure that all mounting components (i.e. screws, bolts, nuts etc.) are always tightened so that the equipment can be safely operated at all times.
- Frequently check the grass catch assembly for signs of wear.
- Replace excessively worn or damaged parts immediately.
- Store your lawn mower in a dry room.
- In order to ensure that you enjoy your scarifier for many years to come, all screwed parts, as well as the wheels and axles, should be cleaned and

lubricated.

- Keeping your hand mower in good condition not only ensures a long lifespan and high performance, but also enables the equipment to thoroughly cut your grass with minimal effort. For best results, clean the lawn mower with a brush or rag. Do not use any solvents or water to remove dirt.
- The cutting components - i.e. the knife cage and lower knife blade - are subjected to more wear and tear than any other component of the unit. Therefore, routinely check the condition of the blade and make sure that it is tightly fastened. If the blade is completely worn out, it must be immediately replaced or ground sharp again. An excessively vibrating mower means that the blade is not properly balanced or has become deformed from striking an object. In this case, the blade must be repaired or replaced.
- There are no parts inside the equipment which require additional maintenance.

#### 8.4 Replacing the blade

For safety reasons, we recommend having the blade replaced by an authorized professional. Important. Wear work gloves! Only replace the blade with a genuine Einhell replacement blade, as this will ensure top performance and safety under all conditions.

Carry out the following steps to change the blade:

- Undo the fastening screw (see Fig. 17).
- Remove the blade and replace with a new one.
- When fitting the blade, make sure it is installed in the right direction. The blade's air vanes must jut into the motor compartment (see Fig. 17). The dome mounts must be aligned with the punch holes in the blade.
- Then retighten the fastening screw. The tightening torque should be approx. 25 Nm.

At the end of the season, perform a general inspection of the lawn mower and remove any grass and dirt which may have accumulated. At the start of each season, ensure that you check the condition of the blade. If repairs are necessary, please contact our customer service center. Use only genuine spare parts.

#### 8.5 Ordering replacement parts:

Please provide the following information on all orders for spare parts:

- Model/type of the equipment
- Article number of the equipment
- ID number of the equipment
- Spare part number of the required spare part

For our latest prices and information please go to [www.isc-gmbh.info](http://www.isc-gmbh.info)

**Spare blade art. no.: 34.054.850**

#### 9. Storage

Store the equipment and accessories out of children's reach in a dark and dry place at above freezing temperature. The ideal storage temperature is between 5 and 30 °C. Store the electric tool in its original packaging.

#### 10. Disposal and recycling

The equipment is supplied in packaging to prevent it from being damaged in transit. The raw materials in this packaging can be reused or recycled. The equipment and its accessories are made of various types of material, such as metal and plastic. Defective components must be disposed of as special waste. Ask your dealer or your local council.



## 11. Charger indicator

Indicator status red LED	Indicator status green LED	Explanations and actions
Off	Flashing	<b>Ready for use</b> The charger is connected to the mains and is ready for use; there is no battery pack in the charger.
On	Off	<b>Charging</b> The charger is charging the battery pack in quick charge mode.
Off	On	The battery is 85% charged and ready for use. (Charging time for 1.5 Ah battery: 30 min) (Charging time for 3.0 Ah battery: 60 min) The unit then changes over to gentle charging mode until the battery is fully charged. (Total charging time for 1.5 Ah battery: approx. 40 min) (Total charging time for 3.0 Ah battery: approx. 75 min) <b>Action:</b> Take the battery pack out of the charger. Disconnect the charger from the mains supply.
Flashing	Off	<b>Adapted charging</b> The charger is in gentle charging mode. For safety reasons the charging is performed less quickly and takes more than 1 hour. The reasons can be: - The battery pack has not been used for a very long time or an already flat battery was further discharged (exhaustive discharge). - The battery pack temperature is outside the ideal range (between 25° C and 45° C). <b>Action:</b> Wait for the charging to be completed; you can still continue to charge the battery pack.
Flashing	Flashing	<b>Fault</b> Charging is no longer possible. The battery pack is defective. <b>Action:</b> Never charge a defective battery pack. Take the battery pack out of the charger.
On	On	<b>Temperature fault</b> The battery pack is too hot (e.g. due to direct sunshine) or too cold (below 0° C). <b>Action:</b> Remove the battery pack and keep it at room temperature (approx. 20° C) for one day.

## 12. Troubleshooting

Fault	Possible causes	Remedy
Motor does not start	<ul style="list-style-type: none"> <li>a) Capacitor defective</li> <li>b) Motor terminals or capacitor disconnected</li> <li>c) Mower standing in high grass</li> <li>d) The mower housing is clogged</li> <li>e) Safety switch is not inserted</li> <li>f) Battery is not correctly inserted</li> </ul>	<ul style="list-style-type: none"> <li>a) By customer service center</li> <li>b) By customer service center</li> <li>c) Start motor on shorter grass or already mowed area; change cutting height if necessary</li> <li>d) Clean housing so that the blade can run freely</li> <li>e) Insert safety switch (see 7.)</li> <li>f) Remove the battery and reinsert (see 6.)</li> </ul>
Motor performance drops	<ul style="list-style-type: none"> <li>a) Grass too tall or damp</li> <li>b) The mower housing is clogged</li> <li>c) Blades badly worn</li> <li>d) Battery performance decreasing</li> </ul>	<ul style="list-style-type: none"> <li>a) Correct the cutting height</li> <li>b) Clean housing</li> <li>c) Replace blades</li> <li>d) Check the battery performance and charge the battery if necessary (see 6.)</li> </ul>
Unclean cuts	<ul style="list-style-type: none"> <li>a) Blades worn</li> <li>b) Wrong cutting height</li> </ul>	<ul style="list-style-type: none"> <li>a) Replace or sharpen the blade</li> <li>b) Correct the cutting height</li> </ul>

**Important. For protection, the motor is equipped with a thermal switch which cuts out when the motor is overloaded and switches on again automatically after a short cooling period.**

ISC GmbH · Eschenstraße 6 · D-94405 Landau/Isar



### Declaration of conformity

- erklårt folgende Konformität gemäß EU-Richtlinie und Normen für Artikel  
 explains the following conformity according to EU directives and norms for the following product  
 déclare la conformité suivante selon la directive CE et les normes concernant l'article  
 dichiara la seguente conformità secondo la direttiva UE e le norme per l'articolo  
 verklaart de volgende overeenstemming conform EU richtlijn en normen voor het product  
 declara la siguiente conformidad a tenor de la directiva y normas de la UE para el artículo  
 declara a seguinte conformidade, de acordo com a directiva CE e normas para o artigo  
 attesterer følgende overensstemmelse i medfør af EU-direktiv samt standarder for artikel  
 förklarar följande överensstämmelse enl. EU-direktiv och standarder för artikeln  
 vakuuttaa, että tuote täyttää EU-direktiivin ja standardien vaatimukset  
 tõendab toote vastavust EL direktiivile ja standarditele  
 vydává následující prohlášení o shodě podle směrnice EU a norem pro výrobek  
 potvrjuje sledečo skladnost s smernico EU in standardi za izdelek  
 vydáva nasledujúce prehlásenie o zhode podľa smernice EÚ a noriem pre výrobok  
 a cikkekhöz az EU-irányvonal és Normák szerint a következő konformitást jelenti ki  
 deklaruje zgodność wymienionego poniżej artykułu z następującymi normami na podstawie dyrektywy WE.  
 декларира съответното съответствие съгласно Директива на ЕС и норми за артикул  
 paskaidro šādu atbilstību ES direktīvai un standartiem  
 arībūdina šj atitikimą EU reikalavimams ir prekės normoms  
 declară următoarea conformitate conform directivei UE și normelor pentru articolul  
 δηλώνει την ακόλουθη συμμόρφωση σύμφωνα με την Οδηγία ΕΚ και τα πρότυπα για το προϊόν  
 potvrđuje sljedeću usklađenost prema smjernicama EU i normama za artikl  
 potvrđuje sljedeću usklađenost prema smjernicama EU i normama za artikl  
 potvrđuje sledeću usklađenost prema smernicama EZ i normama za artikal  
 следующим удостоверяется, что следующие продукты соответствуют директивам и нормам ЕС  
 проголошує про зазначену нижче відповідність виробу директивам та стандартам ЄС на виріб  
 ja izjavuva slednata soobraznost согласно EУ-директивата и нормите за артикли  
 Ürünü ile ilgili AB direktifleri ve normları gereğince aşağıda açıklanan uygunluğu belirtir  
 erklærer følgende samsvar i henhold til EU-direktivet og standarder for artikkel  
 Lysir uppfyllingu EU-reglna og annarra staðla vöru

#### Cordless Lawn Mower GE-CM 36 Li + Power X Charger (Einhell)

- |   |  |
|---|--|
| <input type="checkbox"/> 87/404/EC_2009/105/EC  | <input checked="" type="checkbox"/> 2006/42/EC   |
| <input type="checkbox"/> 2005/32/EC_2009/125/EC | <input type="checkbox"/> Annex IV<br>Notified Body:<br>Notified Body No.:<br>Reg. No.:   |
| <input type="checkbox"/> 2006/95/EC             |  |
| <input type="checkbox"/> 2006/28/EC             |  |
| <input checked="" type="checkbox"/> 2004/108/EC | <input checked="" type="checkbox"/> 2000/14/EC_2005/88/EC  |
| <input type="checkbox"/> 2004/22/EC             | <input type="checkbox"/> Annex V   |
| <input type="checkbox"/> 1999/5/EC              | <input checked="" type="checkbox"/> Annex VI<br>Noise: measured $L_{WA} = 89,4$ dB (A); guaranteed $L_{WA} = 93$ dB (A)<br>P = kW; L/Ø = 36 cm<br>Notified Body: TÜV-Süd Industrie Service GmbH (NB0036)<br>Westendstrasse 199, 80686 München, Deutschland |
| <input type="checkbox"/> 97/23/EC               |  |
| <input type="checkbox"/> 90/396/EC_2009/142/EC  | <input type="checkbox"/> 2004/26/EC<br>Emission No.:   |
| <input type="checkbox"/> 89/686/EC_96/58/EC     |  |
| <input checked="" type="checkbox"/> 2011/65/EC  |  |

Standard references: EN 60335-1; EN 60335-2-29; EN 60335-2-77; EN 62233;  
EN 55014-1; EN 55014-2; EN 61000-3-2; EN 61000-3-3

Landau/Isar, den 22.08.2013

  
Weichselgartner/General Manager

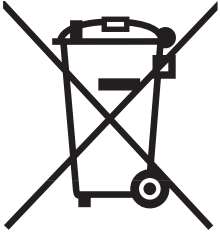

  
Gao/Product-Management

First CE: 12  
Art.-No.: 34.130.68 I.-No.: 11013  
Subject to change without notice

Archive-File/Record: NAPR009123  
Documents registrar: Scheifl Alexander  
Wiesenweg 22, D-94405 Landau/Isar







Ⓢ For EU countries only

Never place any electric tools in your household refuse.

To comply with European Directive 2002/96/EC concerning old electric and electronic equipment and its implementation in national laws, old electric tools have to be separated from other waste and disposed of in an environment-friendly fashion, e.g. by taking to a recycling depot.

Recycling alternative to the demand to return electrical devices:

As an alternative to returning the electrical device, the owner is obliged to cooperate in ensuring that the device is properly recycled if ownership is relinquished. This can also be done by handing over the used device to a returns center, which will dispose of it in accordance with national commercial and industrial waste management legislation. This does not apply to the accessories and auxiliary equipment without any electrical components which are included with the used device.

©

The reprinting or reproduction by any other means, in whole or in part, of documentation and papers accompanying products is permitted only with the express consent of ISC GmbH.

© Technical changes subject to change



# **GUARANTEE CERTIFICATE**

## **Dear Customer,**

All of our products undergo strict quality checks to ensure that they reach you in perfect condition. In the unlikely event that your device develops a fault, please contact our service department at the address shown on this guarantee card. Of course, if you would prefer to call us then we are also happy to offer our assistance under the service number printed below. Please note the following terms under which guarantee claims can be made:

1. These guarantee terms cover additional guarantee rights and do not affect your statutory warranty rights. We do not charge you for this guarantee.
2. Our guarantee only covers problems caused by material or manufacturing defects, and it is restricted to the rectification of these defects or replacement of the device. Please note that our devices have not been designed for use in commercial, trade or industrial applications. Consequently, the guarantee is invalidated if the equipment is used in commercial, trade or industrial applications or for other equivalent activities. The following are also excluded from our guarantee: compensation for transport damage, damage caused by failure to comply with the installation/assembly instructions or damage caused by unprofessional installation, failure to comply with the operating instructions (e.g. connection to the wrong mains voltage or current type), misuse or inappropriate use (such as overloading of the device or use of non-approved tools or accessories), failure to comply with the maintenance and safety regulations, ingress of foreign bodies into the device (e.g. sand, stones or dust), effects of force or external influences (e.g. damage caused by the device being dropped) and normal wear resulting from proper operation of the device. This applies in particular to rechargeable batteries for which we nevertheless issue a guarantee period of 12 months.

The guarantee is rendered null and void if any attempt is made to tamper with the device.

3. The guarantee is valid for a period of 2 years starting from the purchase date of the device. Guarantee claims should be submitted before the end of the guarantee period within two weeks of the defect being noticed. No guarantee claims will be accepted after the end of the guarantee period. The original guarantee period remains applicable to the device even if repairs are carried out or parts are replaced. In such cases, the work performed or parts fitted will not result in an extension of the guarantee period, and no new guarantee will become active for the work performed or parts fitted. This also applies when an on-site service is used.
4. In order to assert your guarantee claim, please send your defective device postage-free to the address shown below. Please enclose either the original or a copy of your sales receipt or another dated proof of purchase. Please keep your sales receipt in a safe place, as it is your proof of purchase. It would help us if you could describe the nature of the problem in as much detail as possible. If the defect is covered by our guarantee then your device will either be repaired immediately and returned to you, or we will send you a new device.

Of course, we are also happy offer a chargeable repair service for any defects which are not covered by the scope of this guarantee or for units which are no longer covered. To take advantage of this service, please send the device to our service address.

**1 Service Hotline: 01805 011 843 · www.isc-gmbh.info · Mo-Fr. 8:00-18:00 Uhr**  
(Festnetzpreis: 14 ct/min, Mobilfunkpreise maximal: 42 ct/min; Außerhalb Deutschlands fallen stattdessen Gebühren für ein reguläres Gespräch ins dt. Festnetz an.)

**2 Name:**  **Retouren-Nr. iSC:**

**Strasse / Nr.:**  **Telefon:**

**PLZ**  **Ort**  **Mobil:**

**3 Welcher Fehler ist aufgetreten (genaue Angabe):**  **Art.-Nr.:**  **I.-Nr.:**

**4 Garantie:** JA  NEIN  **Kaufbeleg-Nr. / Datum:**

**1** Service Hotline kontaktieren oder bei iSC-Webadresse anmelden - es wird Ihnen eine Retourennummer zugeteilt | **2** Ihre Anschrift eintragen | **3** Fehlerbeschreibung und Art.-Nr. und I.-Nr. angeben | **4** Garantieteil JA/NEIN ankreuzen sowie Kaufbeleg-Nr. und Datum angeben und eine Kopie des Kaufbeleges beilegen

**Sehr geehrte Kundin, sehr geehrter Kunde,**  
bitte beschreiben Sie uns die von Ihnen festgestellte Fehlfunktion Ihres Gerätes als Grund Ihrer Beanstandung möglichst genau. Dadurch können wir für Sie Ihre Reklamation schneller bearbeiten und Ihnen schneller helfen. Eine zu ungenaue Beschreibung mit Begriffen wie „Gerät funktioniert nicht“ oder „Gerät defekt“ verzögert hingegen die Bearbeitung erheblich.

EH 09/2013 (01)

