

## Band Saw BM 240

Art.-No.: **43.080.10**

Bar code: **4006825430844**

Sales unit: **1 pc**

No other band saw offers so many possibilities for the saw from Along, Crosswise, mitre and double mitre cuts as the BM 240. This engine corresponds to the newest European standards EN 61029. The integrated automatic shutoff of the door offers the optimal protection for the final user.

Model BM 240 is ideal for length-, crosscuts and forming of pieces of wood, plastics or similar materials. The pen guidance makes possible optimal leading the band saw blade.

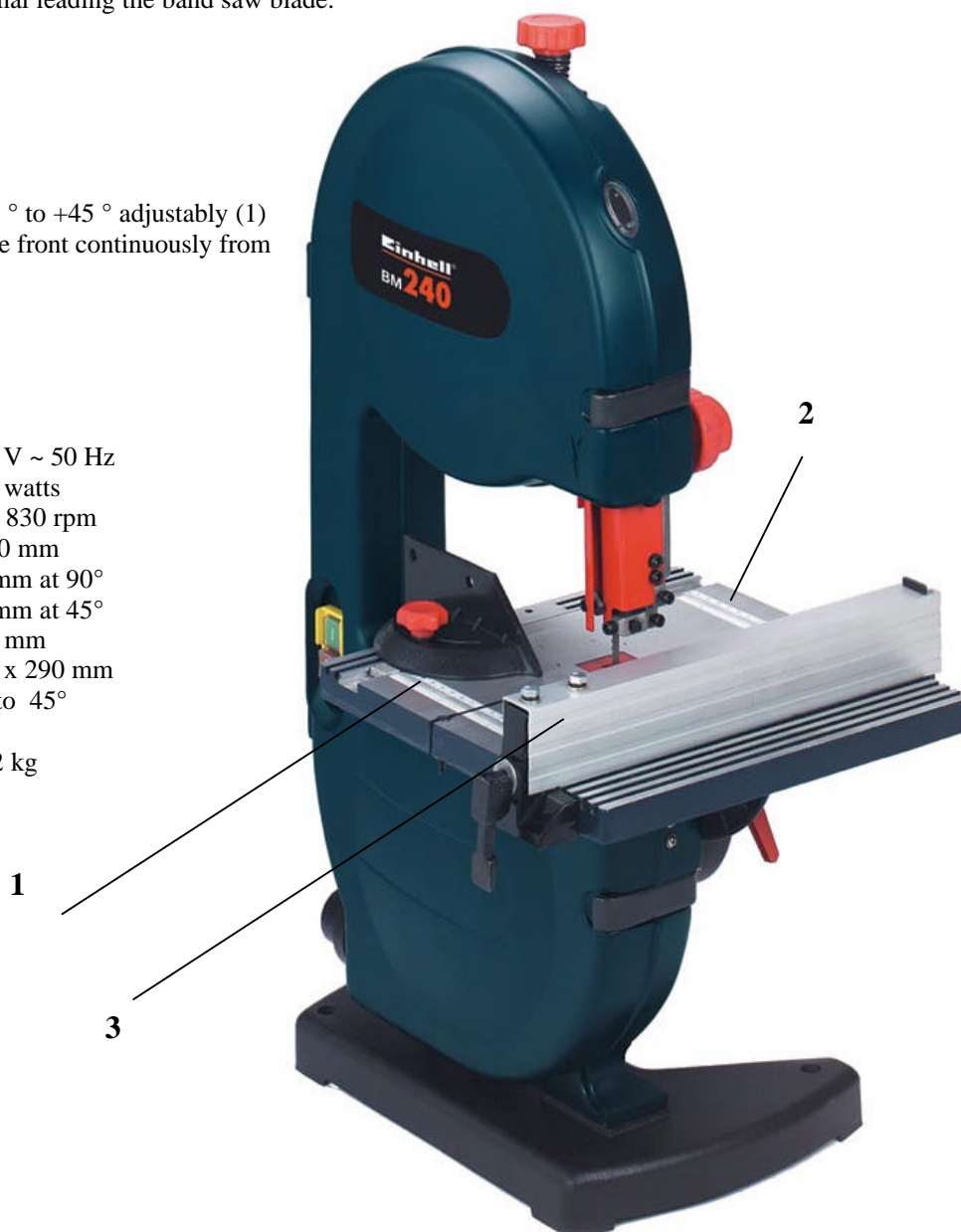
### Features:

- Across fence variable from  $-45^\circ$  to  $+45^\circ$  adjustably (1)
- Saw table can be pivoted to the front continuously from  $0^\circ$  to  $45^\circ$  (2)
- Parallel fence (3)

### Technical data:

- Mains: 230 V ~ 50 Hz
- Power: 300 watts
- Idle speed:  $n_0$ : 830 rpm
- Length of saw blade: 1520 mm
- Cutting height: 75 mm at  $90^\circ$   
45 mm at  $45^\circ$
- Open passage: 230 mm
- Table size: 288 x 290 mm
- Table tilt:  $0^\circ$  to  $45^\circ$

Weight.: 13,2 kg



### As accessory available:

Band saw blades

Art.-No.: **45.061.54**

Bar code: **4006825456202**