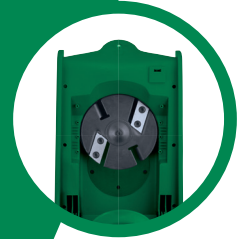




GARDENING
Essentials

2400w Electric Impact Shredder

User Guide



- Branch diameter: max. 40mm
- Double-sided ground steel blades
- Integrated safety switch
- Plunger included
- 3m cable

Contents

Page	
3	Introduction
4-9	General Information and Safety Instructions
10-14	Assembly and Parts List
15	Features
16-18	Instructions
19-24	Useful Information
25	Declaration of Conformity
26	FAQ
27	Warranty Card

The reprinting or reproduction by any other means, in whole or in part, of documentation and papers accompanying products is permitted only with the express consent of Einhell UK Ltd.

Subject to technical changes.

You have made an excellent choice with the purchase of this quality Gardening Essentials® product.

By doing so you now have the assurance and peace of mind which comes from purchasing a product that has been manufactured to the highest standards of performance and safety, supported by the high quality standards of ALDI.

We want you to be completely satisfied with your purchase so this Gardening Essentials® product is backed by a comprehensive manufacturer's 1 year warranty and an outstanding after sales service through our dedicated Helpline.

We hope you will enjoy using your purchase for many years to come.

If you require technical support or in the unlikely event that your purchase is faulty please telephone our Helpline for immediate assistance. Faulty product claims within the 1 year warranty period will be repaired or replaced free of charge provided that you have satisfactory proof of purchase (keep your till receipt safe!). This does not affect your statutory rights. However, be aware that the warranty will become null and void if the product is found to have been deliberately damaged, misused or disassembled.

IMPORTANT!

Read and follow the operating instructions and safety information before using for the first time.

When using equipment, a few safety precautions must be observed to avoid injuries and damage. Please read the complete operating manual with due care. Keep this manual in a safe place, so that the information is available at all times. If you give the equipment to any other person, give them these operating instructions as well. We accept no liability for damage or accidents which arise due to non-observance of these instructions and the safety information.

General safety regulations for this electrical tool

This equipment is not designed to be used by people (including children) with limited physical, sensory or mental capacities or those with no experience and/or knowledge unless they are supervised by a person who is responsible for their safety or they have received instructions from such a person in how to use the equipment safely.

Children must always be supervised in order to ensure that they do not play with the equipment.

Safety instructions for garden shredder

CAUTION!

Read all safety regulations and instructions. Any errors made in following the safety regulations and instructions may result in an electric shock, fire and/or serious injury. Keep all safety regulations and instructions in a safe place for future use.

General Information and Safety Instructions

2

IMPORTANT!

Read carefully before use Keep for later reference.

CAUTION!

The ON/OFF switch must be set to OFF and the power plug removed from the socket-outlet before cleaning or doing any other work on the shredder and whenever the cable becomes tangled. The shredder will continue to run briefly after it is switched off.

- The shredder is not to be used by individuals under 16 years of age or any other persons who are not acquainted with these instructions for use.
- The operator is responsible for the safety of third parties within the working radius of the shredder.
- Make sure that the shredder is properly closed (loading funnel and ejector) before you start up the motor.
- The shredder must be placed on a flat and firm surface where it can stand securely.
- Always wear gloves and safety goggles when working with the shredder.
- We recommend ear defenders when working with shredders which have no noise-insulating features.
- Each time before you leave the shredder, switch off the motor and pull out the power plug.
- Maintenance and cleaning work on the shredder as well as the removal or adjustment of any safety devices may only be performed when the motor is at a standstill and the power plug has been pulled out.
- The safety devices supplied with the shredder (e.g. the ejector) must be used.
- The shredder must be assembled correctly before it is put into operation.
- Examine the shredder each time before you use it. Do not use the shredder if any safety devices are damaged or worn. Never put safety devices out of operation.
- Use the shredder only for the purpose specified in these instructions.
- Work only in good visibility.

Helpline No. UK / Northern Ireland 0151 649 1500
Rep. Ireland 1890 946244
Model Number: GLEKS 2440 / PLU: 66926 / On-sale date: 08.2015

5

General Information and Safety Instructions

2

- Always make sure of your footing while working.
- Never leave the shredder unattended. Store the shredder in a safe place when not in use.
- If you interrupt your work to move to a different position it is imperative to switch off and unplug the shredder while you are relocating it.
- Never use the shredder in the rain or in moist or wet conditions.
- Protect the shredder from the damp and rain.
- Always wear suitable clothing to protect your head, hands and feet from injury. Wear a helmet, goggles or visor, high boots or strong shoes, long trousers made of tough material, and work gloves.

CAUTION!

The guard is vital for your safety and for the safety of others, and it is also essential for the shredder to work correctly. Failure to observe this instruction will not only create a potential hazard, it will also result in the loss of your rights under the warranty.

- Keep the shredder away from other persons, particularly children and pets.
- Do not use the shredder without an RCD protection device, the maximum operating current must be not greater than 30mA.
- Keep the air vents clear of dirt.
- After use, unplug the machine and check it for damage.
- When you are not using the shredder, keep it in a dry place out of the reach of children.
- Check the screws regularly to see that they are properly tightened.
- The mains voltage of your supply must be the same as the voltage specified on the appliance rating plate.
- Power cables used with the shredder must not be of a lighter duty class than HO7RN-F rubber insulated flexible cables according to DIN 57282/ VDE 0282 with a minimum cross sectional area of 1,5 mm².
- Plug connectors must be equipped with earthing contacts and the coupling must be rain-water protected.
- If the Power Cord or plug is damaged do not use the machine. Have the cable replaced with an approved part by a suitably qualified person.

General Information and Safety Instructions

2

- Use only original replacement parts for repair and maintenance purposes.
- Have repairs carried out only by a qualified electrician.
- Examine the shredder for signs of wear or damage each time before you use it and after any impacts. Have essential repairs carried out without delay.
- Never use replacement parts or accessories which are not foreseen or recommended by the manufacturer.
- Pull out the power plug before carrying out any inspection, cleaning or other work on the shredder and whenever it is not being used.
- Before you begin your work, examine the material you want to shred. Remove any foreign bodies.
- Continue to watch out for foreign bodies while you are working. If you come across any foreign bodies while shredding, shut down the machine and remove the items in question.
- Keep the machine away from other persons, particularly children and pets.
- Use the machine only in the way described in these operating instructions.
- The electric circuit must be protected at your Distribution Board at least by a 16A fuse.
- The efficiency of the machine will be greatly reduced if a connecting cable with too small a cross section is used. A conductor cross section of at least $3 \times 1.5 \text{ mm}^2$ is required for cables up to 25 m long, and one of at least $3 \times 2.5 \text{ mm}^2$ for cables longer than 25 m.
- If the machine has to be lifted for transportation, be sure to switch off the motor first and wait for the cutter to come to a standstill. Each time before you leave the machine, switch off the motor and pull out the power plug. Before you connect the machine to the power supply, make sure that the loading funnel is properly connected to the motor housing and the release screw tightened.
- If the garden refuse shredder vibrates excessively, turn off the motor, pull out the power plug, and find out immediately what is causing the vibrations. Intensive vibration is usually a sign that something is wrong.
- Do not wear loose clothing or clothing with hanging belts or cords.
- Do not use the machine on a paved area that has been gravelled where discharged material may cause injuries.
- Ensure that the loading funnel inlet is empty before you start the machine.
- Keep your head and body away from the in-feed opening.
- Do not move your hands, other body parts or clothing into the in-feed chamber, ejector chute or near other moving parts.

Helpline No. UK / Northern Ireland 0151 649 1500

Rep. Ireland 1890 946244

Model Number: GLEKS 2440 / PLU: 66926 / On-sale date: 08.2015

7

- Make sure that you are balanced and standing on a firm surface at all times. Do not stretch forwards.
- Never stand higher than the machine when feeding material into it.
- Keep away from the discharge zone when you start the machine.
- If foreign bodies get into the cutting tool or the machine generates unusual noises or vibrates in a strange way, switch off the motor immediately and allow the machine to come to a standstill.

Pull out the mains plug and carry out the following work:

- Check the machine for signs of damage
- Check that all the parts are secure and tighten them if necessary.
- Have any damaged parts replaced or repaired, but use only spare parts of the same type and equivalent quality
- If the machine is blocked switch off the motor and pull out the mains before you start the cleaning procedure. Ensure that the motor is clear of waste and other accumulations to protect the motor from suffering damage or possibly catching fire.
- Ensure that all the covers and guards are in position and in good working order.
- Do not tip the machine whilst the motor is running.
- Switch off the machine before you fit or remove the collection container.
- The appliance must only be used outdoors in a clear open space.
- Damaged or illegible labels must be replaced.
- Allow the appliance to cool before carrying out any maintenance work, adjustments, etc.
- Never use the machine while other people or animals are nearby.
- When inserting material take special care to ensure that it does not contain any metal, stones, bottles, cans or other foreign bodies.
- Do not allow processed material to accumulate within the discharge area; this could prevent the machine being able to discharge correctly and result in material recoiling through the in-feed opening.
- When servicing the cutting tool, remember that it may still be moving due to the starting mechanism, even if the motor is not running because of the cover interlock.

General Information and Safety Instructions

2

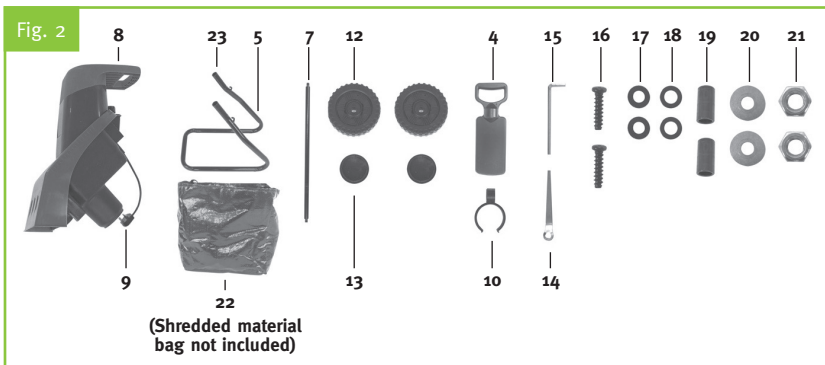
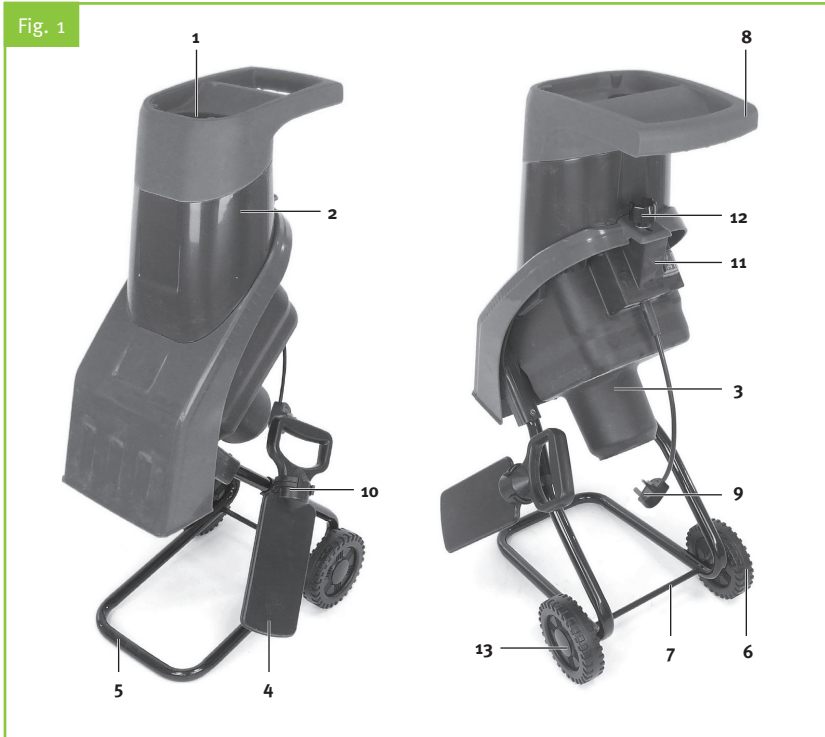
- Children must not be permitted to use the machine.
- Wear ear protectors, gloves and safety goggles. Wear these throughout the time the machine is in operation.
- Before starting the machine, check all screws, nuts, bolts and other fastening materials to ensure that they are secure and that all covers and guards are in position. Damaged or illegible labels must be replaced.
- Connect the equipment to the power supply only via an RCD circuit breaker with max. 30mA tripping current.

Layout (see Fig. 1-2)

- 1 Loading tunnel inlet
- 2 Loading tunnel
- 3 Motor housing with cutter plate
- 4 Plunger
- 5 Complete chassis
- 6 Wheels
- 7 Axle
- 8 Transport handle
- 9 Mains plug
- 10 Mounting for plunger
- 11 On/Off switch
- 12 Release screw
- 13 Wheel hubs
- 14 Ring wrench
- 15 Allen key
- 16 Screw for chassis assembly
- 17 Washer for chassis assembly
- 18 Washer inside
- 19 Sleeve
- 20 Washer, outside
- 21 Nut
- 22 Shredded material bag
- 23 Hook for shredder debris bag

Assembly and Parts List

3



Helpline No. UK / Northern Ireland 0151 649 1500
 Rep. Ireland 1890 946244
 Model Number: GLEKS 2440 / PLU: 66926 / On-sale date: 08.2015

Assembling the Shredder

- Open the packaging and take out the equipment with care.
- Remove the packaging material and any packaging and/or transportation braces (if available).
- Check to see if all items are supplied.
- Inspect the equipment and accessories for transport damage.
- If possible, please keep the packaging until the end of the guarantee period.

IMPORTANT!

The equipment and packaging material are not toys. Do not let children play with plastic bags, foils or small parts. There is a danger of swallowing or suffocating!

Before starting the equipment

Before you connect the equipment to the mains supply make sure that the data on the rating plate matches that of your local supply.

Always pull out the power plug before making adjustments to the equipment.

The garden shredder is delivered unassembled.

The chassis and the wheels must be fitted before use. Follow the operating instructions step-by-step and use the pictures provided as a visual guide to easily assemble the machine.

Assembling the chassis (Fig. 3a/3b)

- Place the motor housing upside down on the floor.
- Insert the chassis into the provided openings as far as it will go.
- Secure the axle and wheels, as shown in Fig. 3b, using the screws (Item 16) and the washers (Item 17).

Assembling the axle and wheels (Figs. 4a-4h)

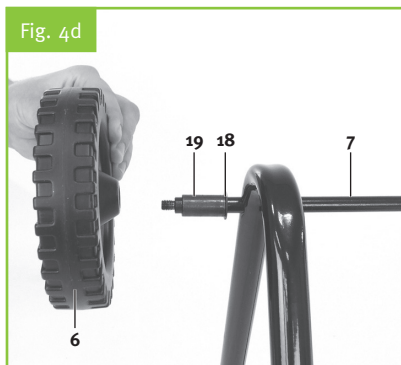
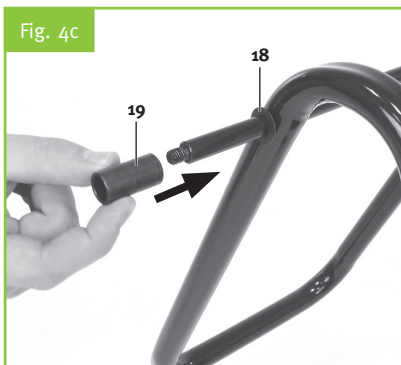
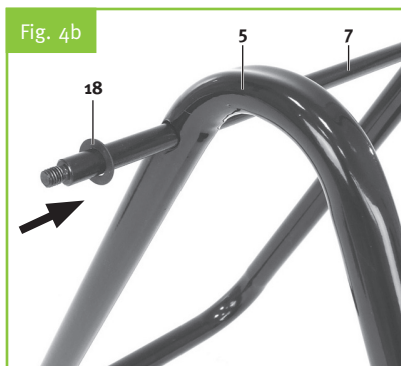
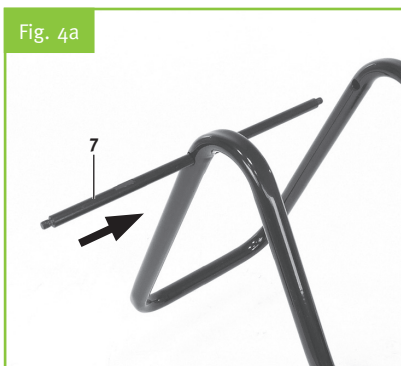
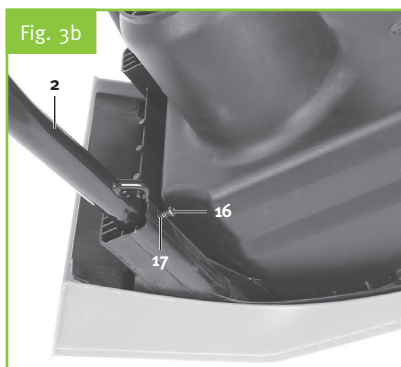
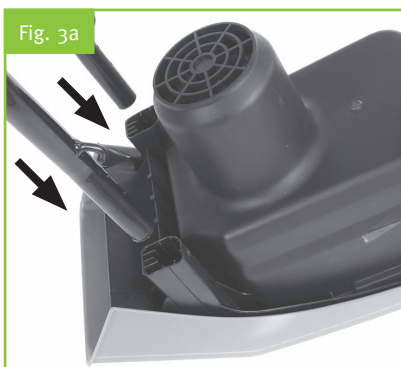
- Remove the sleeves, nuts and washers from the axle
- Mount the axle and wheels as shown in Figs. 4a-4h.

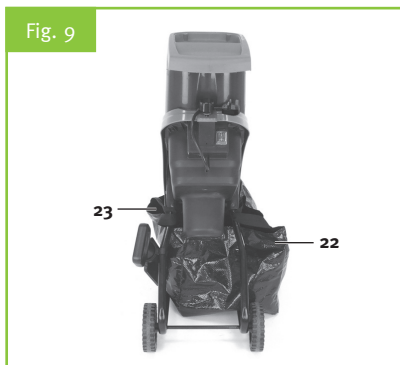
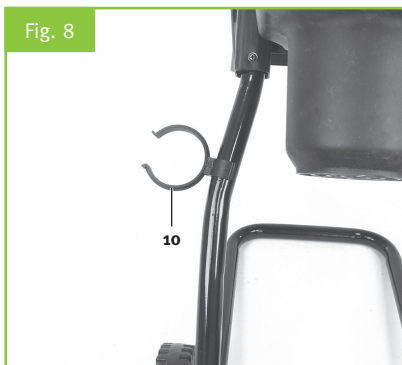
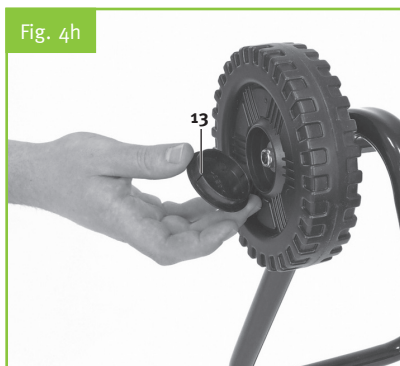
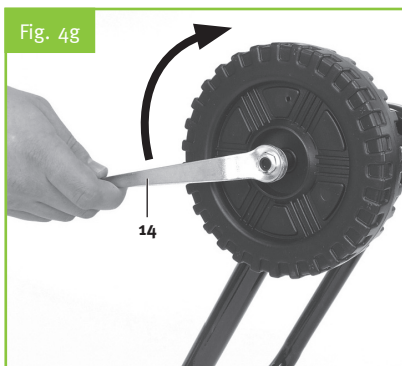
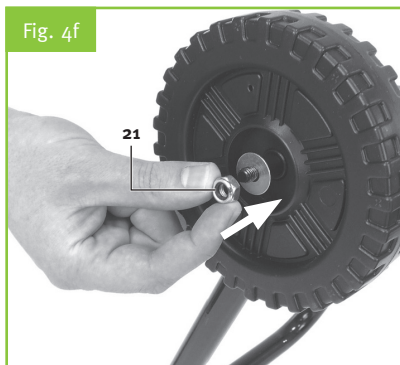
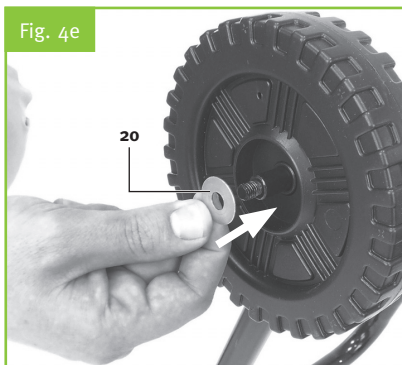
Fitting the holder for the prodder (Fig. 8)

Press the holder for the prodder onto the chassis as shown in Fig. 8.

Fitting the shredder debris bag (Fig. 9)

As an option you can fit the supplied shredder debris bag to the equipment. To do so, hang the shredder debris bag (Fig. 9 / Item 22) on the hooks provided for the purpose (Fig. 9 / Item 23).

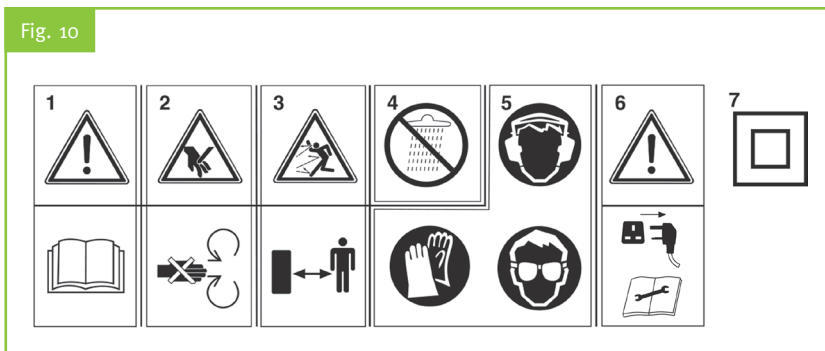




Explanation of the warning signs on the equipment (see figure 10)

- 1 **IMPORTANT!**
Read the operating instructions and follow the warnings and safety instructions.
- 2 Take care when the blades are rotating. Do not put your hands or feet into openings when the machine is running.
- 3 Important! Keep other persons and animals away from the danger zone.
- 4 Important! Protect the machine from the damp and never expose it to rain.
- 5 Important! Always wear safety goggles, ear defenders, protective gloves and heavy-duty work clothes!
- 6 Always set the ON/OFF switch to OFF and pull the power plug out of the socket-outlet before doing any work on the shredder, e.g. cleaning the shredder and making adjustments, or if the power cable becomes damaged.
- 7 Protection class II; double-insulated.

Fig. 10



Proper use

This electric garden refuse shredder is designed only for shredding organic garden waste. Place biologically degradable material, e.g. leaves, branches, dead flowers etc., into the loading funnel inlet.

The equipment is to be used only for its prescribed purpose. Any other use is deemed to be a case of misuse. The user / operator and not the manufacturer will be liable for any damage or injuries of any kind caused as a result of this

Please note that our equipment has not been designed for use in commercial, trade or industrial applications. Our warranty will be voided if the machine is used in commercial, trade or industrial businesses or for equivalent purposes.

Please observe the statutory regulations governing noise abatement during operating times, which may differ from town to town.

Connecting up the machine and switching it on

- Connect the coupling on the machine connection cable (extension) to the power cable (Fig. 1/Item 9).
- The machine can be switched ON (switch position 'I') and OFF (switch position 'o') using the ON/OFF switch (Figure 1/Item 11).

NOTE

The machine cannot be switched on if there is no voltage being supplied to it. If the power supply is interrupted, the machine will switch off automatically (switch position 'o'). The machine cannot be switched on again until the voltage supply has been re-established and the ON/OFF switch has been moved to position 'I'.

Overload protection (motor circuit-breaker)

- The motor is protected from overloads by an overload switch.
- In case of overloading the equipment will shut down automatically. To restart, set the On/Off switch to the position 'I'.
- If the motor fails to start, clean the ejector chute.

Practical tips

- Be sure to observe the safety instructions (see supplied booklet).
- Wear work gloves, goggles and ear protection.
- The material is drawn into the shredder automatically.

CAUTION!

Long pieces of material projecting out of the funnel inlet may whiplash when it is drawn in – keep a safe distance between yourself and the machine.

- Judge the quantity of material which you put into the funnel inlet so that the funnel does not clog.
- If you want to shred withered, damp material that has been lying in the garden for several days, alternate between putting in this material and branches. This will help to prevent the loading funnel becoming clogged with material.
- Do not shred soft waste (e.g. kitchen waste) – put it straight in the compost box.
- Entangled branches and leaves should be thoroughly shredded before loading any more material.
- Do not allow the discharge opening to become clogged with shredded material – risk of pile-ups.
- Do not cover the ventilation slits.
- Do not place heavy material or thick branches into the machine continuously. This may cause the blade to jam.
- Use the prodder (Fig. 1/Item 4) to remove jammed objects from the funnel inlet, use a hook to remove jammed objects from the ejector opening.
- Swing open the loading funnel (Fig. 5/Item 2) by opening the release screw (Fig. 5/Item 12). You can now remove blockages from the inside of the equipment.

IMPORTANT!

Wear work gloves! Risk of injury from the cutters.

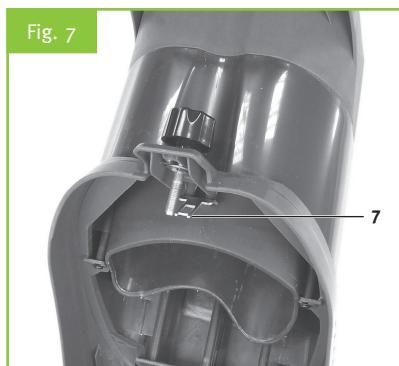
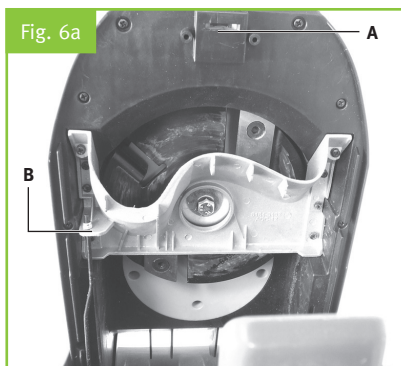
Safety

The shredder has a safety switch (Figure 6/Item A) in its interior on the motor housing. The control unit for it (Figure 7) is located on the loading funnel.

If the loading hopper is not perfectly positioned or if it is not pressed against the motor housing, the safety switch will trip and prevent the motor from working. If this situation occurs, open the loading funnel as described above. Carefully clean the interior. Close the loading funnel again as described above and ensure that when you switch on the machine again the loading funnel is correctly positioned and the safety screw is screwed right in.

CAUTION!

NEVER undo the release screw (Figure 1/Item 12) without first switching off the machine at the ON/OFF switch (Figure 1/Item 11) and disconnecting the coupling on the machine connection cable (extension) from the machine plug.



Useful information

Cleaning, maintenance and ordering of spare parts

Always pull out the mains power plug before starting any cleaning work.

Maintenance and storage

- Clean the machine regularly. This will help to keep the machine in good working order and is the basis for a long working life.
- Keep the vent slots clean while you work.
- Clean the plastic body and other plastic parts with a mild household cleaning agent and a damp cloth. Do not use any aggressive agents or solvents for cleaning purposes.
- Never clean the shredder by spraying with water.
- Prevent water getting inside the machine at all cost.
- Check the chassis securing screws from time to time to ensure that they are tight.
- If you do not intend to use the shredder for a lengthy period, protect it from corrosion using environmentally friendly oil.
- Store the device in a dry room.
- Store the device out of reach of children.
- When you have finished your work, pull the loading funnel forwards and clean the inside. Use a brush to remove deposits from metal parts on the inside. Apply a thin coating of oil to the cleaned blade plate and blades.
- When you close the loading funnel, make sure that the safety switch and the release screw are clean.

Replace, sharp and change blades

The blades on the blade plate are replaceable. If you have to replace any blade, you must only use genuine blades to ensure that they meet the relevant quality and safety criteria.

NOTE

For safety reasons we recommend that you have all sharpening and blade replacement work carried out by a specialist workshop.

Useful information

Turning the blades

Always wear heavy duty working gloves

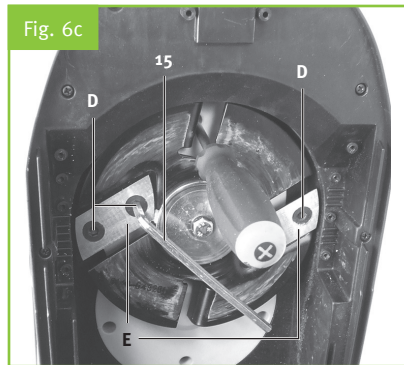
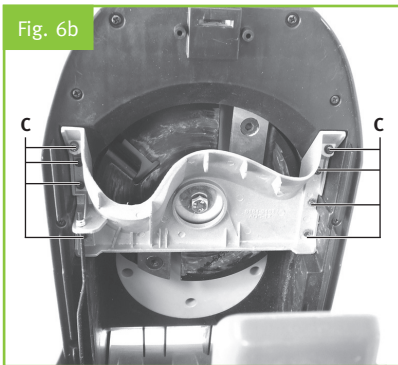
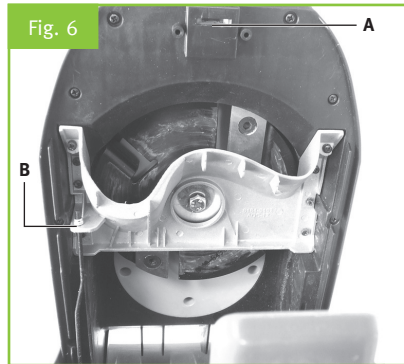
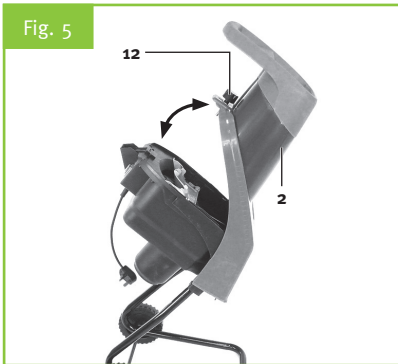
- Swing open the loading funnel (Fig. 5/Item 2) by opening the release screw (Fig. 5/Item 12).
- Undo the fastening nut (Figure 6a/Item B).
- Undo the eight Philips screws (Figure 6b/Item C) and remove the cover plate
- Secure the rotary disk so that it cannot rotate (for example by jamming it with a screwdriver, see Figure 6c).
- Undo the four blade screws (Figure 6c/Item D) and remove the blades (Figure 6c/Item E).
- Each of the blades can be turned once as they are ground sharp on both ends. Then they must be replaced by new blades. To assemble, proceed in reverse order.

Ordering replacement parts

Please quote the following data when ordering replacement parts:

- Type of machine (GLEKS 2440)
- Article number of the machine (3430345)
- Identification number of the machine (11015)
- Replacement part number of the part required

For our latest prices and information please go to www.isc-gmbh.info.



Useful information

Replacing the power cable

If the power cable for this equipment is damaged, it must be replaced by the manufacturer or its after-sales service or similarly trained personnel to avoid danger.

Disposal and recycling

The equipment is supplied in packaging to prevent it from being damaged in transit. The raw materials in this packaging can be reused or recycled. The equipment and its accessories are made of various types of material, such as metal and plastic. Never place defective equipment in your household refuse. The equipment should be taken to a suitable collection centre for proper disposal. If you do not know the whereabouts of such a collection point, you should ask in your local council offices.

Technical data

Mains voltage	230 V ~ 50 Hz
Power input	2400 W (S6-40%) 2000 W (S1)
Idle speed n_o	4500 rpm
Branch diameter	max. 40 mm
Sound pressure level L_{pA}	85,3 dB
K uncertainty	3 dB (A)
Sound power level L_{WA}	112 dB
Weight	11 kg
Protection class	II
Protection type	IP24

Operating mode S6 40%: Continuous operation with idling (cycle time 10 minutes). To ensure that the motor does not become excessively hot, it may only be operated for 40% of the cycle at the specified rating and must then be allowed to idle for 60% of the cycle. Keep the noise emissions and vibrations to a minimum.

Useful information

- Only use appliances which are in perfect working order.
- Service and clean the appliance regularly.
- Adapt your working style to suit the appliance.
- Do not overload the appliance.
- Have the appliance serviced whenever necessary.
- Switch the appliance off when it is not in use.
- Wear protective gloves. Residual risks, even if you use this electric power tool in accordance with instructions, certain residual risks cannot be ruled out.

The following hazards may arise in connection with the equipment's construction and layout:

- 1 Lung damage if no suitable protective dust mask is used.
- 2 Damage to hearing if no suitable ear protection is used.
- 3 Health damage caused by hand-arm vibrations if the equipment is used over a prolonged period.

Troubleshooting

The machine does not work	No power at the plug	Check the power cable and fuse
	Machine is switched off	Switch on machine
	Overload switch has tripped	Press control on overload switch
	Ejector chute is blocked	Clean ejector chute
	Loading funnel is not secure on the motor housing	Clean interior and tighten safety screw
Shredding performance unsatisfactory	Blades worn	Turn, sharpen or replace blades



For EU countries only

Never place any electric tools in your household refuse.

To comply with European Directive 2012/19/EU concerning old electric and electronic equipment and its implementation in national laws, old electric tools have to be separated from other waste and disposed of in an environment-friendly fashion, e.g. by taking to a recycling depot.

Recycling alternative to the demand to return electrical devices: As an alternative to returning the electrical device, the owner is obliged to cooperate in ensuring that the device is properly recycled if ownership is relinquished. This can also be done by handing over the used device to a returns centre, which will dispose of it in accordance with national commercial and industrial waste management legislation. This does not apply to the accessories and auxiliary equipment which are included with the used device.

The reprinting or reproduction by any other means, in whole or in part, of documentation and papers accompanying products is permitted only with the express consent of Einhell UK Ltd.

Declaration of Conformity

7

ISC GmbH · Eschenstraße 6 · D-94405 Landau/Isar



Declaration of Conformity

- | | |
|--|---|
| <p>D erklårt følgende Konformität gemäß EU-Richtlinie und Normen für Artikel</p> <p>GB explains the following conformity according to EU directives and norms for the following product</p> <p>FR déclare la conformité suivante selon la directive CE et les normes concernant l'article</p> <p>I dichiara la seguente conformità secondo la direttiva UE e le norme per l'articolo</p> <p>NL verklaart de volgende overeenstemming conform EU richtlijn en normen voor het product</p> <p>E declara la siguiente conformidad a tenor de la directiva y normas de la UE para el artículo</p> <p>P declara a seguinte conformidade, de acordo com a directiva CE e normas para o artigo</p> <p>DK attesterer følgende overensstemmelse i medfør af EU-direktiv samt standarder for artikel</p> <p>S förklarar följande överensstämmelse enl. EU-direktiv och standarder för artikeln</p> <p>FIN vakuuttaa, että tuote täyttää EU-direktiivin ja standardien vaatimukset</p> <p>EE tõendab toote vastavust EL direktiivile ja standarditele</p> <p>CZ vydává následující prohlášení o shodě podle směrnice EU a norem pro výrobek</p> <p>SK vydáva nasledujúce prehlásenie o zhode podľa smernice EU a noriem pre výrobok</p> <p>H a cikkhez az EU-irányvonal és Normák szerint a következő konformitást jelenti ki</p> | <p>PL deklaruje zgodność wymienionego poniżej artykułu z następującymi normami na podstawie dyrektywy WE.</p> <p>BG декларира съответното съответствие съгласно Директива на ЕС и норми за артикул</p> <p>LV paskaidro šādu atbilstību ES direktīvai un standartiem</p> <p>LT apibūdina šį atitikimą EU reikalavimams ir prekės normoms</p> <p>RO declară următoarea conformitate conform directivei UE și normelor pentru articolul</p> <p>GR δηλώνει την ακόλουθη συμμόρφωση σύμφωνα με την Οδηγία ΕΚ και τα πρότυπα για το προϊόν</p> <p>HR potvrđuje sljedeću uskladenost prema smjernicama EU i normama za artikel</p> <p>BIH potvrđuje sljedeću uskladenost prema smernicama EU i normama za artikel</p> <p>RS potvrđuje sljedeću uskladenost prema smernicama EZ i normama za artikel</p> <p>RUS следующим образом удостоверяется, что следующие продукты соответствуют директивам и нормам ЕС</p> <p>UKR проголошує про зазначену нижче відповідність виробу директивам та стандартам ЄС на виріб</p> <p>MK ja izjavува slednata soobraznost согласно EU-direktivata i normite za artikli</p> <p>TR Ürünü ile ilgili AB direktifleri ve normları gereğince aşağıda açıklanan uygunluğu belirtir</p> <p>N erklærer følgende samsvar i henhold til EU-direktiv og standarder for artikkel</p> <p>IS Lýsir uppfyllingu EU-reglna og annarra staðla vöru</p> |
|--|---|

Electric Knife Shredder GLEKS 2440 (Gardening Essentials)

- | | |
|---|---|
| <input type="checkbox"/> 87/404/EC_2009/105/EC | <input checked="" type="checkbox"/> 2006/42/EC |
| <input type="checkbox"/> 2005/32/EC_2009/125/EC | <input type="checkbox"/> Annex IV
Notified Body:
Reg. No.: |
| <input type="checkbox"/> 2006/95/EC | |
| <input type="checkbox"/> 2006/28/EC | |
| <input checked="" type="checkbox"/> 2004/108/EC | <input checked="" type="checkbox"/> 2000/14/EC_2005/88/EC |
| <input type="checkbox"/> 2004/22/EC | <input checked="" type="checkbox"/> Annex V |
| <input type="checkbox"/> 1999/5/EC | <input type="checkbox"/> Annex VI |
| <input type="checkbox"/> 97/23/EC | Noise: measured $L_{WA} = 102,61 \text{ dB (A)}$; guaranteed $L_{WA} = 112 \text{ dB (A)}$
$P = 2,4 \text{ kW (S6/40\%)}$ / $2,0 \text{ kW (S1)}$; $L/D = \text{cm}$
Notified Body: |
| <input type="checkbox"/> 90/396/EC_2009/142/EC | <input type="checkbox"/> 2004/26/EC
Emission No.: |
| <input type="checkbox"/> 89/686/EC_96/58/EC | |
| <input checked="" type="checkbox"/> 2011/65/EC | |

Standard references: EN 13683; EN 60335-1; EN 62233;
EN 55014-1; EN 55014-2; EN 61000-3-2; EN 61000-3-3

Landau/Isar, den 22.04.2015


Weichselgartner/General-Manager


Liu/Product-Management

First CE: 12
Art.-No.: 34.303.45 I.-No.: 11015
Subject to change without notice

Archive-File/Record: NAPR012549
Documents registrar: Daniel Protschka
Wiesenweg 22, D-94405 Landau/Isar

Helpline No. UK / Northern Ireland 0151 649 1500
Rep. Ireland 1890 946244
Model Number: GLEKS 2440 / PLU: 66926 / On-sale date: 08.2015

25

<p>How do I claim for a warranty matter?</p>	<ol style="list-style-type: none"> 1. Fill in the Warranty card and send to the Einhell UK Ltd Address. 2. Contact Einhell UK Ltd, using one of the Telephone numbers for AFTER SALES SUPPORT. 3. Or contact via the Einhell UK Ltd website.
<p>How do I obtain spare parts (not covered by the warranty)?</p>	<p>Make sure you have the information from the product data label, or page 20 of this manual, and then: -</p> <ol style="list-style-type: none"> 1. Contact Einhell UK Ltd, using one of the Telephone numbers for AFTER SALES SUPPORT, and choose the option for Spare Parts. 2. Or contact via the Einhell UK Ltd website, where spares information & prices are available.

Warranty Card

9



2400w Electric Impact Shredder

IMPORTANT!

KEEP THIS FORM SAFE: Only complete and return this form to the address below in the unlikely event of a warranty claim, if you are requested by the manufacturer to return the item for replacement. Then please complete this form and send it together with your receipt (proof of purchase) to the address below.

Your details:

Name _____

Address _____



Email _____

Date of purchase* _____

*We recommend you keep the receipt with this warranty card

Location of purchase _____

Description of malfunction:

Return your completed warranty card to:

Einhell UK Ltd, Unit 9, Stadium Court
Wirral International Business Park
Plantation Road, Bromborough CH62 3QG
www.einhell.co.uk/warranty

AFTER SALES SUPPORT



GB 0151 649 1500

IRL 1890 946244



www.einhell.co.uk

MODEL: GLEKS 2440

Please add the Ser.-Nr. here:

You will find the 7 character Ser.-Nr. here



Ser.-Nr.: 22HHZGD

Monday to Thursday 8:45am - 5pm,
Friday 8:45am - 3pm. Calls cost 10p
per minute from a landline, calls from
mobiles may vary.

1

YEAR WARRANTY

Helpline No. UK / Northern Ireland 0151 649 1500

Rep. Ireland 1890 946244

Model Number: GLEKS 2440 / PLU: 66926 / On-sale date: 08.2015

27

Helpline No. UK / Northern Ireland 0151 649 1500
Rep. Ireland 1890 946244
Model Number: GLEKS 2440 / PLU: 66926 / On-sale date: 08.2015

28