

Einhell®

TE-VC 18/10 Li

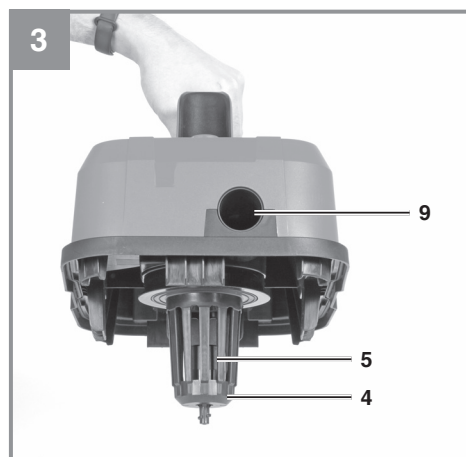
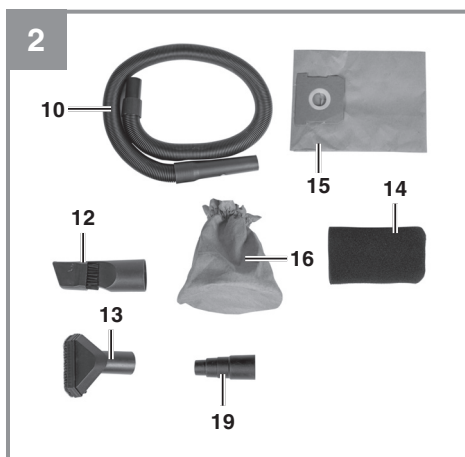
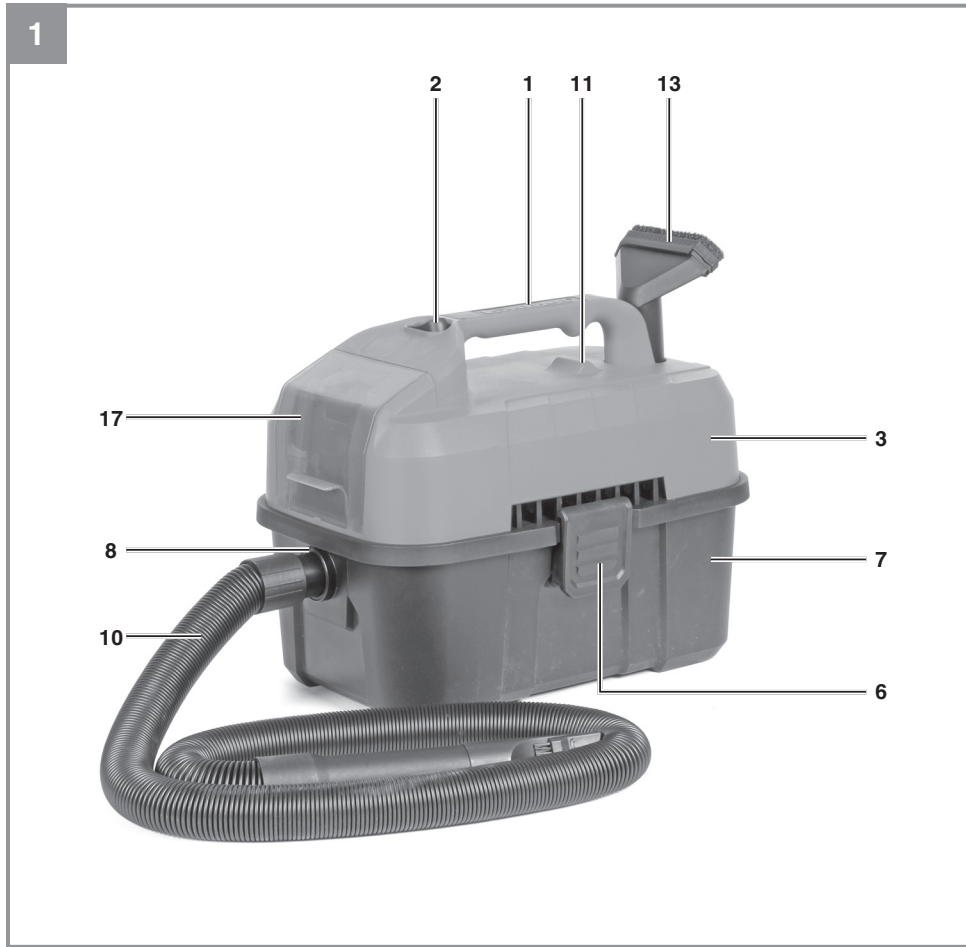
-
- EN** Original operating instructions
Cordless wet/dry vac
- SP** Manual de instrucciones original
Aspiradora para seco/mojado
inalámbrica
- FR** Traduction du mode d'emploi
d'origine
Aspirateur de liquides et de
poussières sans fil

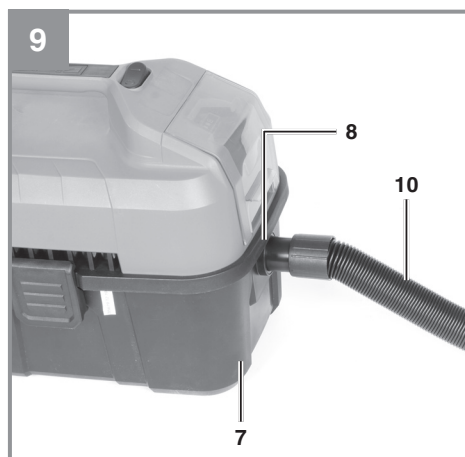
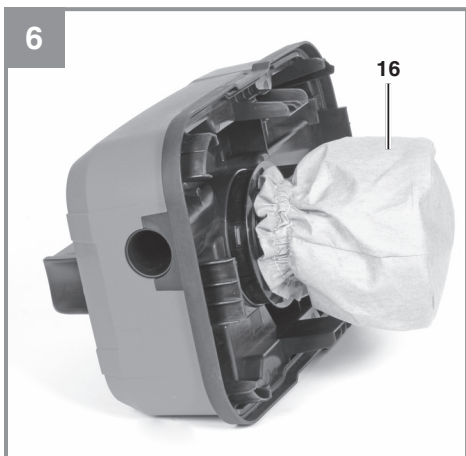
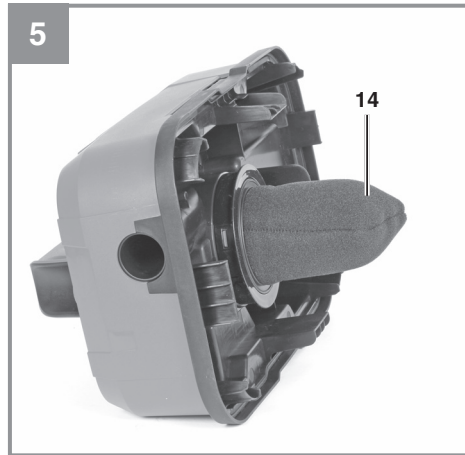
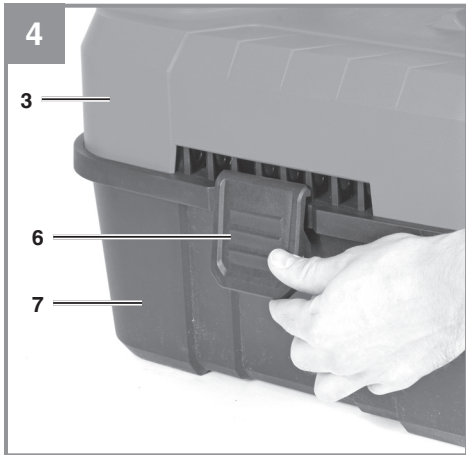


7 

Art.-Nr.: 2347165

I.-Nr.: 11019





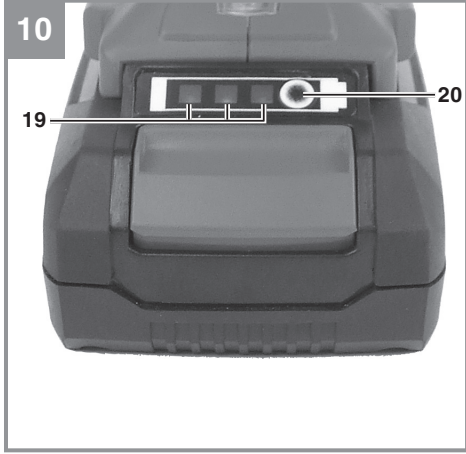


Table of contents

1. Safety information
2. Layout and items supplied
3. Intended use
4. Technical data
5. Before starting the equipment
6. Operation
7. Cleaning, maintenance and ordering spare parts
8. Disposal and recycling
9. Storage



Danger! - Read the operating instructions to reduce the risk of injury



Store the batteries only in dry rooms with an ambient temperature of 50°F to 104°F (+10°C to +40°C).
Place only fully charged batteries in storage (charged at least 40%).

Use the appliance at a temperature between 32°F and 104°F (0°C~40°C).
Batteries should be charged in a location where the temperature is between 50°F and 104°F (10~40°C).

DANGER!

When using the equipment, a number of safety precautions must be observed to avoid injuries and damage. Please read the complete operating instructions and safety information with due care. Keep these operating instructions in a safe place so that the information is available at all times. If you give the equipment to any other person, hand over these operating instructions and the safety information as well. We cannot accept any liability for damage or accidents which arise due to failure to follow these instructions and the safety information.

1. Safety information

IMPORTANT SAFETY INSTRUCTIONS

When using an electrical appliance, basic precautions should always be followed, including the following:

READ ALL INSTRUCTIONS BEFORE USING (THIS APPLIANCE). **Failure to follow the warnings and instructions may result in electric shock, fire and/or serious injury.**

WARNING—To reduce the risk of fire, electric shock, or injury:

1. Indoor use only.
2. Do not allow to be used as a toy. Close attention is necessary when used by or near children, pets or plants.
3. Use only as described in this manual. Use only manufacturer's recommended attachments
4. Do not use with damaged cord or plug. If appliance is not working as it should, has been dropped, damaged, left outdoors, or dropped into water, return it to a service center.
5. Do not pull or carry by cord, use cord as a handle, close a door on cord, or pull cord around sharp edges or corners. Do not run appliance over cord. Keep cord away from heated surfaces.
6. Do not unplug by pulling on cord. To unplug, grasp the plug, not the cord.
7. **Do not handle charger, including charger plug, and charger terminals with wet hands**
8. Do not put any object into openings. Do not use with any opening blocked; keep free of dust, lint, hair, and anything that may reduce air flow.
9. Keep hair, loose clothing, fingers, and all parts of body away from openings and moving parts.
10. Use extra care when cleaning on stairs.
11. Do not use to pick up flammable or combustible liquids, such as gasoline, or use in areas where they may be present.
12. Do not pick up anything that is burning or smoking, such as cigarettes, matches, or hot ashes.
13. Do not use without filter
14. Prevent unintentional starting. Ensure the switch is in the off-position before connecting to battery pack, picking up or carrying the appliance. Carrying the appliance with your finger on the switch or energizing appliance that have the switch on invites accidents.
15. Disconnect the battery pack from the appliance before making any adjustments, changing accessories, or storing appliance. Such preventive safety measures reduce the risk of starting the appliance accidentally.
16. Recharge only with the charger specified by the manufacturer. A charger that is suitable for one type of battery pack may create a risk of fire when used with another battery pack.
17. Use appliances only with specifically designated battery packs. Use of any other battery packs may create a risk of injury and fire.
18. When battery pack is not in use, keep it away from other metal objects, like paper clips, coins, keys, nails, screws or other small metal objects, that can make a connection from one terminal to another. Shorting the battery terminals together may cause burns or a fire.
19. Under abusive conditions, liquid may be ejected from the battery; avoid contact. If contact accidentally occurs, flush with water. If liquid contacts eyes, additionally seek medical help. Liquid ejected from the battery may cause irritation or burns.
20. Do not use a battery pack or appliance that is damaged or modified. Damaged or modified batteries may exhibit unpredictable behavior resulting in fire, explosion or risk of injury.
21. Do not expose a battery pack or appliance to fire or excessive temperature. Exposure to fire or temperature above 130°C may cause explosion.
22. **Protect your rechargeable battery against moisture, rain and high humidity.** Moisture, rain and high humidity can cause dangerous cell damage. Never charge or work with batteries which have been exposed to

- moisture, rain or high humidity – replace them immediately.
23. Follow all charging instructions and do not charge the battery pack or appliance outside of the temperature range specified in the instructions. Charging improperly or at temperatures outside of the specified range may damage the battery and increase the risk of fire.
 24. Have servicing performed by a qualified repair person using only identical replacement parts. This will ensure that the safety of the product is maintained.
 25. Do not modify or attempt to repair the appliance or the battery pack except as indicated in the instructions for use and care.

SAVE THESE INSTRUCTIONS

Household use only.

2. Layout and items supplied

2.1 Layout

1. Handle
2. On/Off switch
3. Head
4. Filter cage
5. Safety float valve
6. Locking hook
7. Tank
8. Suction hose connection
9. Blow connector
10. Flexible suction hose
11. Suction hose holder
12. Crevice/brush nozzle
13. Upholstery/universal nozzle
14. Foam filter
15. Collection bag
16. Additional filter
17. Battery cover
18. Battery pack (not supplied)
19. Tool adapter
20. Battery capacity indicator
21. Battery capacity indicator button

2.2 Items supplied

Please check that the article is complete as specified in the scope of delivery. If parts are missing, please contact our service center or the store where you made your purchase at the latest within 5 work days after purchasing the article and upon presentation of a valid bill of purchase.

- Open the packaging and take out the equipment with care.
- Remove the packaging material and any packaging and/or transportation braces (if present).
- Check to see if all the items are supplied.
- Inspect the equipment and accessories for transport damage.
- If possible, keep the packaging until the end of the guarantee period.

Danger!

The equipment and packaging material are not toys. Do not let children play with plastic bags, plastic sheets and small parts. There is a risk of choking and suffocating!

- Flexible suction hose
- Crevice/brush nozzle
- Upholstery/universal nozzle
- Foam filter
- Additional filter
- Dirt bag
- Tool adapter
- Original operating instruction with safety information

Separately available accessories

18V 1.5Ah P-X-C lithium-ion battery
 18V 2.0Ah P-X-C lithium-ion battery
 18V 2.6Ah P-X-C Plus lithium-ion battery
 18V 3.0Ah P-X-C lithium-ion battery
 18V 4.0Ah P-X-C lithium-ion battery
 18V 5.2Ah P-X-C Plus lithium-ion battery
 18V P-X-C Dual Port Fast Charger
 18V P-X-C Fast Charger

Explore battery + charger options at einhellUSA.com


3. Intended use

The cordless wet/dry vac is designed for wet and dry vacuuming using the appropriate filter. The equipment is not suitable for the vacuuming of combustible, explosive or harmful substances.

The equipment is allowed to be used only for its prescribed purpose. Any other use is deemed to be a case of misuse. The user/operator and not the manufacturer will be liable for any damage or injuries of any kind resulting from such misuse.

Please note that our equipment has not been designed for use in commercial, trade or industrial applications. Our warranty will be voided if the equipment is used in commercial, trade or industrial businesses or for equivalent purposes.

4. Technical data

Motor power supply: 18 V 
 Air flow: 42.4 cfm (1.2 m³/min)
 Sealed suction: 1.2 psig (8 kPa)
 Vacuum hose length: ... 2.2 to 6.6 ft (0.7 m to 2 m)
 Tank capacity: 2.65 gal (10 l)
 Weight (Tool only): 6.6 lbs (3 kg)

5. Before starting the equipment

5.1 Assembling the equipment

Fitting the head (Fig. 4)

The equipment head (3) is fastened to the tank (7) by the locking hook (6). To remove the equipment head (3), open the locking hook (6) and take off the equipment head (3). When fitting the equipment head (3), make sure that the locking hook (6) locks into place correctly.

5.2 Fitting the filters

Important!

Never use the wet/dry vacuum without a filter. Always ensure that the filters are securely seated.

Fitting the foam filter (Fig. 5/Item 14)

For wet-vacuuming, slip the supplied foamed plastic filter (14) over the filter basket (Figs. 3/4).

Fitting the additional filter (Fig. 6)

For dry vacuum cleaning always use the supplied additional filter (16). Fit the additional filter, so that no air is sucked through the filter cage (4) without being filtered.

Fitting the dirt bag (Fig. 7/Item 15)

For vacuuming fine, dry dirt it is recommended that you fit the dirt bag (Fig. 7/Item 15). Slip the dirt bag (15) over the vacuuming hole. The dirt bag (54) is suitable for dry-vacuuming only. The dirt bag makes it easier to dispose of the sucked-in dust.

5.3 Fitting the suction hose (Fig. 1, 3)

Connect the suction hose (10) to the corresponding connector on the wet/dry vacuum, depending on the application required.

Vacuuming

Connect the suction hose (10) to the suction hose connector (8).

Blowing

Connect the suction hose (10) to the blow connector (9).

5.4 Suction nozzles

Crevice/brush nozzle (Fig. 2)

The crevice/brush nozzle with swing-out brush (12) is designed for vacuuming solids and liquids in corners, edges and other areas that are difficult to access.

Upholstery/universal nozzle (Fig. 2)

Fitted with the brush insert (13), the nozzle is designed for vacuuming solids from upholstery and carpets. Without the brush insert (13) fitted, the nozzle is designed for vacuuming solids and liquids from small to medium-sized surfaces. To remove the brush insert, press the button and pull the brush insert off to the side at the same time.

Fitting the tool adapter

You can use the supplied tool adapter (Fig. 2/Item 19) to connect the suction hose (10) to the tool. To do so, fit it between the suction hose and the extractor port on the tool. Check that the connections are secure and air-tight.

Fitting the battery (Fig. 8)

Open the battery cover (15). To do so, flip the cover up as shown in Fig. 8. Then slot the rechargeable battery (18) into the mount and push it forward until you hear the battery engage.

6. Operation

6.1 On/Off switch (Fig. 1/Item 2)

Switch position 0: Off
 Switch position I: On

6.2 Dry vacuuming

Use the additional filter (16) for dry vacuuming (see point 5.2). Always ensure that the filters are securely seated.

6.3 Wet vacuuming

For wet-vacuuming, use the foam filter (14) (see point 5.2).
Check that the filter is securely seated at all times.

When wet-vacuuming, the floating safety switch (Fig. 3/Item 5) closes when the maximum tank level is reached. At the same time, the suction noise of the equipment will change and become louder.

You must then switch off the equipment and empty the tank.

Danger!

The wet/dry vacuum is not suitable for the vacuuming of combustible liquids. For wet vacuuming, use only the supplied foam filter.

6.4 Blowing

Connect the suction hose (10) to the blow connector (9) on the wet/dry vacuum.

6.5 Charging the Li battery pack

The corresponding instructions can be found in the original operating instructions for your charger.

6.6 Battery capacity indicator (Fig. 3 / item 2)

Press the battery capacity indicator switch (a). The battery capacity indicator (2) shows the charge status of the battery using 3 LEDs.

All 3 LEDs lit:

The battery is fully charged.

2 or 1 LED(s) lit:

The battery has an adequate remaining charge.

1 LED flashing:

The battery is empty, recharge the battery.

All LEDs flashing:

The battery pack has been deep-discharged and is defective. Do not re-use or charge a defective battery pack.

7. Cleaning, maintenance and ordering spare parts

HAZARD!

Always pull out the battery pack before starting any cleaning work.

7.1 Cleaning

- Keep all safety devices, air vents and the motor housing free of dirt and dust as far as possible.
- We recommend cleaning the equipment immediately each time after use.

7.2 Cleaning the filter (Fig. 1/Item 3)

Clean the equipment regularly with a damp cloth and some soft soap. Do not use cleaning agents or solvents; these may be aggressive to the plastic parts in the equipment.

7.3 Cleaning the tank (Fig. 1/Item 7)

The tank can be cleaned with a damp cloth and some soft soap or under running water, depending on the amount of dirt.

7.4 Cleaning the filters

Cleaning the foam filter and the additional filter (Fig. 2)

Clean the foam filter (14) and the additional filter (16) with a little soft soap under running water and allow them to air-dry.

7.5 Maintenance

At regular intervals and before each use, check that the filters in the wet/dry vacuum are securely fitted.

7.6 Ordering replacement parts: Service

1. **If your power tool requires service, contact an authorized Einhell USA dealer or call the Einhell USA customer service center at 1-866-EINHELL (1-866-346-4355).** Only identical replacement parts should be utilized for repairs. This will ensure that the safety of the power tool is maintained.
2. **If the battery charger cable is damaged, it must be immediately replaced to avoid a hazard.** Contact the Einhell USA® customer service center at 1-866-EINHELL (1-866-346-4355) for assistance.

8. Disposal and recycling

The equipment is supplied in packaging to prevent it from being damaged in transit. The raw materials in this packaging can be reused or recycled. The equipment and its accessories are made of various types of material, such as metal and plastic. Never place defective equipment in your household refuse. The equipment should be taken to a suitable collection center for proper disposal. If you do not know the whereabouts of such a collection point, you should ask in your local council offices.

9. Storage

Store the equipment and its accessories out of children's reach in a dark and dry place at above freezing temperature. The ideal storage temperature is between 41°F and 86°F (5°C and 30°C). Keep the electric tool in its original packaging.

The reprinting or reproduction by any other means, in whole or in part, of documentation and papers accompanying the products is strictly subject to the express consent of Einhell Germany AG.

Subject to technical changes

Einhell®

EINHELL CUSTOMER PROMISE

QUALITY COMES FIRST. The Einhell name is synonymous with high-performance tools and high-quality European craftsmanship. From cordless screwdrivers to electric lawn mowers, Einhell USA designs and develops state-of-the-art handheld power and garden tools for DIY enthusiasts, hobby gardeners, and handymen.

Einhell USA's quality assurance and engineering teams ensure products are subjected to stringent quality and performance tests. We know that sometimes tough tools go through tough times. In the event that you should experience any issue with your product, you have our commitment that we'll do everything we can to get you back a tool that's ready to work as hard as you do.

PRODUCT REGISTRATION:

Einhell strongly encourages you to register your purchase. You can register online at **EinhellUSA.com**. Failure to register your product purchase will not diminish your warranty rights. However, registering your purchase will allow Einhell to better serve you with any of your customer service needs.

WHAT IS COVERED?

Einhell warrants to the owner that if this Machine fails within 2 years from the date of purchase due to a defect in material or workmanship or as a result of normal wear and tear from ordinary household use, Einhell will send a replacement part or product, as needed, free of charge and with free shipping to the original purchaser. If, in Einhell's sole discretion, the failed Machine cannot be repaired with a part, Einhell will elect to either (A) send a new Machine at no charge and with free shipping or (B) refund the full purchase price to the owner.

WHO CAN SEEK WARRANTY COVERAGE?

This Warranty is extended by Einhell to the owner of this Machine (a "Machine" consists of a product powered by a motor) for residential and personal household use only. This warranty is limited to thirty (30) days from the start of original purchase of any EINHELL brand product that is used for commercial purposes, or any other income-producing purpose. Should ownership of this machine change during the coverage period, please update the Machine's owner information at **EinhellUSA.com**

WHAT IS NOT COVERED?

This warranty does not cover any product that has been subject to misuse, neglect, negligence, or accident, or that has been operated in any way contrary to the operating instructions as specified in the operator's manual. This Warranty does not cover cosmetic changes that do not affect performance.

This Warranty is only valid if the Machine is used and maintained in accordance with the instructions, warnings and safeguards contained in the owner's manual. Einhell will not be responsible for the cost of any unauthorized warranty repairs. This warranty does not cover any cost or expense incurred by the purchaser in providing substitute equipment or service during reasonable periods of malfunction or non-use of this product while waiting for a replacement part or unit under this warranty.

Wearing parts like belts, augers, chains and tines are not covered under this warranty, and can be purchased at **EinhellUSA.com** or by calling **1-866-EINHELL (1-866-346-4355)**. Batteries are covered in full for 90-days from the date of purchase.

Repair, replacement or refund of the purchase price are the exclusive remedies of purchaser and the sole liability of Einhell under this warranty. No employee or representative of Einhell is authorized to make any additional warranty or any modification to this warranty which may be binding upon Einhell. Accordingly, purchaser should not rely upon any additional statements made by any employee or representative of Einhell. In no event, whether based on contract, indemnity, warranty, tort (including negligence), strict liability or otherwise, shall Einhell be liable for any special, indirect, incidental, or consequential damages, including, without limitation, loss of profit or revenue.

Some states do not allow limits on warranties. In such states, the above limitations may not apply to you.

Outside the USA and Canada, other warranties may apply.

Índice de contenidos

1. Instrucciones de seguridad
2. Descripción del aparato y volumen de entrega
3. Uso adecuado
4. Características técnicas
5. Antes de la puesta en marcha
6. Manejo
7. Mantenimiento, limpieza y pedido de piezas de repuesto
8. Eliminación y reciclaje
9. Almacenamiento



Peligro! - Leer el manual de instrucciones para reducir cualquier riesgo de sufrir daños



Almacenamiento de las baterías sólo en espacios secos con una temperatura ambiente de 50°F to 104°F (+10°C to +40°C). Guardar las baterías únicamente cuando estén cargadas (mín. al 40%).

Use el aparato a una temperatura entre 32°F y 104°F (0°C~40°C).
Las baterías se deberán cargar en un lugar donde la temperatura esté entre 50 °F y 104 °F (10~40°C).

Peligro!

Al usar aparatos es preciso tener en cuenta una serie de medidas de seguridad para evitar lesiones o daños. Por este motivo, es preciso leer atentamente este manual de instrucciones/advertencias de seguridad. Guardar esta información cuidadosamente para poder consultarla en cualquier momento. En caso de entregar el aparato a terceras personas, será preciso entregarles, asimismo, el manual de instrucciones/advertencias de seguridad. No nos hacemos responsables de accidentes o daños provocados por no tener en cuenta este manual y las instrucciones de seguridad.

1. Instrucciones de seguridad**INSTRUCCIONES IMPORTANTES DE SEGURIDAD**

A la hora de usar un aparato eléctrico, es preciso tener en cuenta una serie de medidas básicas, incluyendo las siguientes:

LEER TODAS LAS INSTRUCCIONES ANTES DE USAR (ESTE APARATO). Si no se siguen las advertencias e instrucciones, se puede correr el riesgo de sufrir una descarga eléctrica, provocar un incendio y/o sufrir lesiones graves.

ADVERTENCIA—Para reducir el riesgo de incendio, descarga eléctrica o lesión:

1. Soloamente para uso en interiores.
2. No permitir que se use a modo de juguete. Es preciso estar muy atento si se utiliza en las inmediaciones de niños, animales o plantas.
3. Utilizar solo según se describe en este manual. Utilizar solo accesorios recomendados por el fabricante.
4. No utilizar si el cable o enchufe presentan daños. Si el aparato no funciona como debería, se ha caído, dañado, dejado a la intemperie o se ha caído en agua, llevarlo a un centro de servicio.
5. No tirar del aparato ni transportarlo por el cable, ni utilizar el cable a modo de asa. No cerrar una puerta pillando el cable ni acercarlo a bordes afilados ni esquinas. No pasar el aparato por encima del cable. Mantener el cable alejado de superficies calientes.
6. No desenchufar el aparato tirando del cable. Para desenchufarlo, hacerlo agarrando el enchufe, no el cable.

7. No manipular el cargador (incl. el enchufe del cargador) ni los terminales de carga con las manos mojadas.
8. No introducir objetos en las aberturas. No utilizar si alguna abertura está bloqueada. Mantenerlas libres de polvo, pelusas, pelo y cualquier cosa que pueda reducir el flujo de aire.
9. Mantener el cabello, la ropa holgada, los dedos y todas las partes del cuerpo alejadas de las aberturas y de las piezas en movimiento.
10. Prestar especial cuidado a la hora de limpiar en escaleras.
11. No utilizar para absorber líquidos inflamables o combustibles, como por ejemplo gasolina, ni utilizarlo en áreas donde puedan estar presentes.
12. No absorber nada que esté encendido o de lo que salga humo, como por ejemplo cigarrillos, cerillas o cenizas calientes.
13. No lo use sin el filtro.
14. Evitar un arranque inesperado. Asegurarse de que el interruptor se encuentre en la posición OFF antes de conectar la batería, alzar el aparato o transportarlo. El transporte de aparatos con el dedo en el interruptor o la activación de aparatos eléctricos con el interruptor en ON puede provocar accidentes.
15. Desconectar la batería del aparato antes de realizar ajustes, cambiar accesorios o almacenar el aparato. Este tipo de medidas de seguridad preventivas sirve para reducir el riesgo de poner en marcha el aparato de manera involuntaria.
16. Recargar solo con el cargador especificado por el fabricante. Un cargador adecuado para un tipo de batería puede conllevar el riesgo de provocar un incendio si se usa con otro tipo de batería.
17. Utilizar los aparatos solo con las baterías designadas específicamente. El uso de cualquier otro tipo de batería puede suponer un riesgo de sufrir lesiones y de provocar un incendio.
18. Si no se está usando la batería, mantenerla alejada de otros objetos metálicos, como clips, monedas, llaves, clavos, tornillos u otros objetos pequeños de metal que puedan realizar una conexión de un terminal al otro. Si se cortocircuitan los terminales de la batería, se pueden provocar quemaduras o un incendio.
19. En caso de uso excesivo, es posible que algo de líquido goteé de la batería. Evitar el contacto. En caso de contacto accidental, lavar

con agua. Si el líquido entra en contacto con los ojos, buscar atención médica. El líquido que sale de la batería puede causar irritación o quemaduras.

20. No utilizar baterías ni aparatos que estén dañados o modificados. Las baterías dañadas o modificadas pueden manifestar comportamientos impredecibles que den lugar a incendio, explosión o riesgo de lesión.
21. No exponer una batería ni un aparato al fuego o a una temperatura excesiva. La exposición al fuego o a una temperatura superior a los 130°C puede provocar una explosión.
22. **Proteger la batería de la humedad, la lluvia y la humedad ambiental elevada.** La humedad, la lluvia y la humedad ambiental elevada pueden provocar daños peligrosos en las celdas. No cargar ni trabajar nunca con baterías que hayan estado expuestas a la humedad, la lluvia o humedad ambiental elevada, ¡reemplazarlas de inmediato!
23. Seguir todas las instrucciones de carga y no cargar la batería ni el aparato fuera del margen de temperatura especificado en las instrucciones. Una carga inadecuada o a temperaturas fuera del margen especificado puede dañar la batería e incrementar el riesgo de incendio.
24. Encargar el servicio exclusivamente a una persona cualificada que use solo piezas de repuesto idénticas. Solo así se podrá mantener la seguridad del producto.
25. No modificar ni intentar reparar el aparato o la batería de forma distinta a lo que se indique en las instrucciones de uso y conservación.

GUARDAR ESTAS INSTRUCCIONES

Para un uso exclusivamente doméstico.

2. Descripción del aparato y volumen de entrega

2.1 Descripción del aparato

1. Empuñadura
2. Interruptor ON/OFF
3. Cabezal del aparato
4. Recipiente de filtraje
5. Válvula de flotador de seguridad
6. Ganchos de cierre
7. Recipiente
8. Conexión de la manguera de aspiración
9. Conexión de soplado
10. Manguera de aspiración flexible

11. Soporte del tubo de aspiración
12. Boquilla esquinera/cepillo
13. Boquilla universal/para tapizados
14. Filtro de espuma
15. Bolsa de recogida
16. filtro adicional
17. Tapa de la batería
18. Batería (no se incluye en el volumen de entrega)
19. Adaptador de herramienta
20. Indicador de capacidad de batería
21. Pulsador para indicar la capacidad de batería

2.2 Volumen de entrega

Sirviéndose de la descripción del volumen de entrega, comprobar que el artículo esté completo. Si faltase alguna pieza, dirigirse a nuestro Service Center o a la tienda especializada más cercana en un plazo máximo de 5 días laborales tras la compra del artículo presentando un recibo de compra válido.

- Abrir el embalaje y extraer cuidadosamente el aparato.
- Retirar el material de embalaje, así como los dispositivos de seguridad del embalaje y para el transporte (si existen).
- Comprobar que el volumen de entrega esté completo.
- Comprobar que el aparato y los accesorios no presenten daños ocasionados durante el transporte.
- Si es posible, almacenar el embalaje hasta que transcurra el periodo de garantía.

Peligro!

¡El aparato y el material de embalaje no son un juguete! ¡No permitir que los niños jueguen con bolsas de plástico, láminas y piezas pequeñas! ¡Riesgo de ingestión y asfixia!

- Manguera de aspiración flexible
- Boquilla esquinera/cepillo
- Boquilla universal/para tapizados
- Filtro de espuma
- Filtro adicional
- Bolsa de recogida
- Adaptador de herramienta
- Manual de instrucción original con instrucción de seguridad

Accesorios disponibles por separado

- 18V 1.5Ah P-X-C batería Li-Ion
- 18V 2.0Ah P-X-C batería Li-Ion
- 18V 2.6Ah P-X-C Plus batería Li-Ion
- 18V 3.0Ah P-X-C batería Li-Ion

18V 4.0Ah P-X-C batería Li-Ion
 18V 5.2Ah P-X-C Plus batería Li-Ion
 18V P-X-C cargador rápido de doble Puerto
 18V P-X-C cargador rápido

Explorar las opciones de batería y cargador en einhellUSA.com


3. Uso adecuado

La aspiradora para seco/mojado inalámbrica ha sido concebida para aspirar materiales sólidos y líquidos utilizando el filtro correspondiente. El aparato no está indicado para aspirar materiales inflamables, explosivos ni perjudiciales para la salud.

Utilizar la máquina sólo en los casos que se indican explícitamente como de uso adecuado. Cualquier otro uso no será adecuado. En caso de uso inadecuado, el fabricante no se hace responsable de daños o lesiones de cualquier tipo; el responsable es el usuario u operario de la máquina.

Tener en consideración que nuestro aparato no está indicado para un uso comercial, industrial o en taller. No asumiremos ningún tipo de garantía cuando se utilice el aparato en zonas industriales, comerciales o talleres, así como actividades similares.

4. Características técnicas

Alimentación de tensión de motor: 18 V 
 Flujo de aire:42.4 pie³/min (1.2 m³/min)
 Succión hermética:1.2 psig (8 kPa)
 Longitud de manguera de aspirado: 2.2 - 6.6 pies (0.7 m a 2 m)
 Capacidad de tanque:2.65 gal (10 l)
 Peso (solo herramienta):6.6 lb (3 kg)

5. Antes de la puesta en marcha

5.1 Montaje del aparato

Montaje del cabezal del aparato (fig. 4)

El cabezal del aparato (3) está sujeto al recipiente (7) por medio de ganchos de cierre (6). Para sacar el cabezal (3), abrir los ganchos de cierre (6) y extraer el cabezal (3). Al montar el cabezal (3) asegurarse de que los ganchos de cierre (6) se enclaven bien.

5.2 Montaje del filtro

¡Advertencia!

¡No utilizar nunca la aspiradora para seco/mojado sin filtro!

¡Asegurarse de que los filtros estén siempre bien colocados!

Montaje del filtro de espuma (fig. 5/14)

Para aspirar en mojado, colocar el filtro de espuma suministrado (14) sobre el recipiente de filtraje (fig. 3/4).

Montaje del filtro adicional (fig. 6)

Para aspirar en seco, utilizar siempre el filtro adicional suministrado (16). Montar el filtro adicional de tal forma que no pueda entrar aire sin filtrar en el recipiente de filtraje (4).

Montaje de la bolsa de recogida (fig. 7/pos. 15)

Para aspirar suciedad fina y seca, recomendamos montar la bolsa de recogida (fig. 7/pos. 15). Colocar la bolsa de recogida (15) sobre la perforación de aspiración. La bolsa de recogida (15) es adecuada únicamente para la aspiración en seco. El polvo aspirado puede eliminarse con mayor facilidad con la bolsa de recogida.

5.3 Montaje del tubo de aspiración (fig. 1, 3)

Dependiendo del tipo de uso, conectar la manguera de aspiración (10) a la conexión correspondiente de la aspiradora para seco/mojado.

Aspirar

Conectar la manguera de aspiración (10) a la conexión de la manguera de aspiración (8)

Soplar

Conectar la manguera de aspiración (10) a la conexión de soplado (9)

5.4 Boquillas aspiradoras

Boquilla esquinera/cepillo (fig. 2)

La boquilla esquinera/cepillo con cepillo plegable (12) sirve para aspirar sólidos y líquidos en rincones, bordes y otros lugares de difícil acceso.

Boquilla universal/para tapizados (fig. 2)

La boquilla con cepillo montado (13) sirve para aspirar sólidos en tapizados y alfombras. La boquilla sin cepillo montado (13) se puede utilizar para aspirar sólidos y líquidos en superficies pequeñas y medianas. Desmontar el cepillo pulsando el botón al mismo tiempo que se tira del cepillo hacia un lado.

Montaje del adaptador de herramienta

Para conectar la manguera de aspiración (10) a la herramienta, se puede utilizar el adaptador de herramienta (fig. 2/pos. 19) adjunto. Para ello, colocarlo entre la manguera y el empalme de la herramienta. Asegurarse de que las conexiones queden bien herméticas.

Montaje de la batería (fig. 8)

Abrir la tapa de la batería (15). Para ello, subirla como se muestra en la fig. 8. A continuación, introducir la batería (18) en el alojamiento y desplazarla hacia delante hasta que se escuche que se enclava.

6. Manejo

6.1 Interruptor ON/OFF (fig. 1/pos. 2)

Posición de interruptor 0: apagado
Posición de interruptor I: encendido

6.2 Aspiración en seco

Para aspirar en seco, utilizar el filtro adicional (16) (véase punto 5.2). ¡Asegurarse de que los filtros estén siempre bien colocados!

6.3 Aspiración en mojado

Para aspirar en mojado, utilizar el filtro de espuma (14) (véase punto 5.2).
¡Asegurarse de que el filtro esté siempre bien colocado!

En la aspiración en mojado, la válvula de flotador de seguridad (fig. 3/5) se cierra una vez alcanzado el nivel de llenado máximo en el recipiente. En tal caso, el ruido de aspiración del aparato aumenta. Apagar entonces el aparato y vaciar el recipiente.

¡Peligro!

La aspiradora para seco/mojado no ha sido concebida para aspirar líquidos inflamables. ¡Para aspirar en mojado, utilizar sólo el filtro de espuma suministrado!

6.4 Soplado

Conectar la manga de aspiración (10) al empalme de soplado (9) de la aspiradora para seco/mojado.

6.5 Cómo cargar la batería de litio

Las instrucciones correspondientes se encuentran en el manual de instrucciones original del cargador.

6.6 Indicador de capacidad de batería (fig. 3/pos. 2)

Pulsar el interruptor para acceder al indicador de capacidad de la batería (a). El indicador de capacidad de batería (2) le indica el estado de carga de la batería sirviéndose de 3 LEDs.

Los 3 LED están iluminados:

La batería está completamente cargada.

2 o 1 LED están iluminados

La batería dispone de suficiente carga residual.

1 LED parpadea:

La batería está vacía, es preciso cargarla.

Todos los LED parpadean

La batería está muy descargada y defectuosa. Está prohibido emplear y cargar una batería defectuosa.

7. Mantenimiento, limpieza y pedido de piezas de repuesto

Peligro!

Quitar la batería antes de realizar cualquier trabajo de limpieza.

7.1 Limpieza

- Evitar al máximo posible que la suciedad y el polvo se acumulen en los dispositivos de seguridad, las rendijas de ventilación y la carcasa del motor.
- Se recomienda limpiar el aparato inmediatamente después de cada uso.

7.2 Limpieza del cabezal del aparato (fig. 1/ pos. 3)

Limpia el aparato de forma periódica con un paño húmedo y un poco de jabón blando. No utilizar productos de limpieza o disolventes; ya que podrían deteriorar las piezas de plástico del aparato.

7.3 Limpieza del recipiente (fig. 1/pos. 7)

Dependiendo del nivel de suciedad, el recipiente se puede limpiar con un paño húmedo, un poco de jabón blando y agua abundante.

7.4 Limpieza del filtro Limpieza del filtro de espuma y del filtro adicional (fig. 2)

Limpia el filtro de espuma (14) y el filtro adicional (16) con un poco de jabón blando y con abundante agua y dejar que se seque al aire.

7.5 Mantenimiento

Controla regularmente el filtro de la aspiradora para seco/mojado, así como que siempre esté bien sujeto.

7.6 Pedido de piezas de repuesto: Servicio

1. **Si su herramienta eléctrica necesita servicio, póngase en contacto con un distribuidor autorizado de Einhell USA o llame al centro de atención al cliente de Einhell USA 1-866-EINHELL (1-866-346-4355).** Utilice exclusivamente piezas de repuesto idénticas para las reparaciones. Solo así se podrá mantener la seguridad de la herramienta eléctrica.
2. **Si el cable del cargador está dañado, cámbielo de inmediato para evitar peligros.** Si necesita asistencia, llame al centro de atención al cliente de Einhell USA® al 1-866-EINHELL (1-866-346-4355).

8. Eliminación y reciclaje

El aparato está protegido por un embalaje para evitar daños producidos por el transporte. Este embalaje es materia prima y, por eso, se puede volver a utilizar o llevar a un punto de reciclaje. El aparato y sus accesorios están compuestos de diversos materiales, como, p. ej., metal y plástico. Los aparatos defectuosos no deben tirarse a la basura doméstica. Para su eliminación adecuada, el aparato debe entregarse a una entidad recolectora prevista para ello. En caso de no conocer ninguna, será preciso informarse en el organismo responsable del municipio.

9. Almacenamiento

Guarda el aparato y sus accesorios en un lugar oscuro, seco, protegido de las heladas e inaccesible para los niños. La temperatura de almacenamiento óptima se encuentra entre los 41°F y 86°F (5 y 30 °C). Guarda la herramienta eléctrica en su embalaje original.

Sólo está permitido copiar la documentación y documentos anexos del producto, o extractos de los mismos, con autorización expresa de Einhell Germany AG.

Nos reservamos el derecho a realizar modificaciones técnicas

Einhell®

LA PROMESA DE EINHELL AL CLIENTE

LO PRIMERO ES LA CALIDAD. El nombre de Einhell es sinónimo de herramientas de alto rendimiento y manufactura europea de alta calidad. Desde destornilladores inalámbricos hasta cortacéspedes eléctricos, Einhell USA diseña y desarrolla innovadoras herramientas para jardinería y eléctricas de mano para amantes del DIY, jardineros aficionados y manitas.

Los equipos de aseguramiento de la calidad y de ingenieros de Einhell USA garantizan que los productos se sometan a las pruebas más exigentes en materia de calidad y rendimiento. Sabemos que incluso las herramientas más resistentes pueden sufrir complicaciones. Si nota alguna anomalía en su producto, le aseguramos que haremos todo lo posible para devolverle una herramienta capaz de trabajar satisfaciendo sus exigencias.

REGISTRO DEL PRODUCTO:

Einhell le recomienda encarecidamente que registre su compra. Puede registrarla online en **EinhellUSA.com**. En caso de no hacerlo, el producto comprado no perderá los derechos de garantía. No obstante, registrando su compra permite que Einhell le preste un mejor servicio de atención al cliente cuando lo necesite.

¿QUÉ CUBRE?

Einhell garantiza al propietario que, si esta máquina falla en un plazo de 2 años a partir de la fecha de compra debido a un defecto en el material, en la manufactura o como resultado de un desgaste normal del uso doméstico ordinario, Einhell le enviará una pieza o un producto de repuesto, según se necesite, de manera gratuita y sin gastos de envío al comprador original. Si, a criterio exclusivo de Einhell, la máquina averiada no se puede reparar con una pieza, Einhell decidirá si a) envía una nueva máquina de manera gratuita y sin gastos de envío, o b) reembolsa al propietario el importe completo de la compra.

¿QUIÉN PUEDE OBTENER COBERTURA DE GARANTÍA?

Einhell hace entrega de la presente garantía al propietario de esta máquina (una "máquina" consiste en un producto alimentado por un motor) para un uso exclusivamente doméstico y privado. Esta garantía está limitada a treinta (30) días a partir de la fecha de compra original de cualquier producto de la marca EINHELL que se use para fines comerciales o cualquier otro fin que produzca beneficios. Si la máquina cambia de propietario durante el periodo de cobertura, actualice la información del propietario de la máquina en **EinhellUSA.com**

¿QUÉ NO CUBRE?

Esta garantía no cubre ningún producto que haya sufrido un uso indebido, negligencia, o accidente, o que haya sido operado de forma contraria a las instrucciones de uso especificadas en el manual de servicio. La presente

garantía no cubre cambios estéticos que no afecten al funcionamiento.

Esta garantía solo será válida si la máquina se usa y mantiene conforme a las instrucciones, advertencias e instrucciones de seguridad indicadas en el manual de servicio. Einhell no se hará responsable del coste de ninguna reparación de garantía no autorizada. Esta garantía no cubre ningún costo o gasto incurrido por el comprador al proporcionar equipos sustitutos o servicio durante períodos razonables de avería o no utilización de este producto, mientras se espera por una pieza de repuesto o nuevo producto conforme a esta garantía.

La garantía no cubre piezas de desgaste como correas, brocas, cadenas ni dientes, que se pueden comprar en **EinhellUSA.com** o llamando al **1-866-EINHELL (1-866-346-4355)**. Las baterías están completamente cubiertas durante 90 días a partir de la fecha de compra.

La reparación, sustitución o el reembolso del precio de compra constituyen compensaciones exclusivas del comprador y única responsabilidad de Einhell conforme a esta garantía. Ningún empleado ni representante de Einhell está autorizado a realizar ninguna garantía adicional ni modificación alguna a la presente garantía que pueda ser vinculante para Einhell. Por consiguiente, el comprador no deberá ampararse en ninguna declaración adicional hecha por ningún empleado o representante de Einhell. Einhell no se hace responsable en ningún caso, ya se base en el contrato, indemnización, garantía, agravio (incluyendo negligencia), responsabilidad absoluta o de otro tipo, de ningún daño especial, indirecto, accidental o consecuentes incluyendo, sin limitaciones, la pérdida de beneficios o ingresos.

Algunos estados no permiten límites en las garantías. En dichos estados, no se aplicarán las limitaciones expuestas anteriormente.

Fuera de EE. UU. y Canadá se aplicarán otras garantías.

Sommaire

1. Consignes de sécurité
2. Description de l'appareil et contenu de l'emballage
3. Utilisation conforme
4. Caractéristiques techniques
5. Avant la mise en service
6. Fonctionnement
7. Nettoyage, entretien et commande de pièces de rechange
8. Élimination et revalorisation
9. Conservation



Danger! - Lire le mode d'emploi pour diminuer le risque de blessures



Conserver les batteries uniquement dans des locaux secs et à une température ambiante de 50-104 °F (+10-+40 °C). Conserver les batteries uniquement en état chargé (au moins 40 % de charge).

**Utilisez l'appareil à une température comprise entre 0°C et 40°C (32°F et 104°F)
Les piles doivent être chargées à un endroit où la température est comprise entre 10°C et 40°C (50°F~104°F).**

Danger !

Certaines mesures de sécurité doivent être respectées pendant l'utilisation des appareils pour empêcher les blessures et les dommages. Par conséquent, lisez attentivement le présent mode d'emploi / les consignes de sécurité. Conservez-les bien pour avoir les informations toujours à la portée de la main. Si vous devez passer l'appareil à d'autres personnes, veuillez leur remettre également le présent mode d'emploi / les consignes de sécurité. Nous ne sommes pas tenus des accidents ou dommages survenus à cause de non-respect du présent mode d'emploi et des consignes de sécurité.

1. Consignes de sécurité**IMPORTANTES MESURES DE SÉCURITÉ**

L'utilisation d'un appareil électrique demande certaines précautions:

LIRE TOUTES LES INSTRUCTIONS AVANT DE FAIRE FONCTIONNER (CET APPAREIL), Le non-respect des mises en garde et des instructions peut causer des chocs électriques, des incendies et/ou des blessures graves.

AVERTISSEMENT. Pour réduire les risques d'incendie, de choc électrique ou de blessure:

1. Utilisation intérieure seulement.
2. Ne pas permettre aux enfants de jouer avec l'appareil. Une attention particulière est nécessaire lorsque l'appareil est utilisé par des enfants ou à proximité de ces derniers.
3. N'utiliser que conformément à cette notice avec les accessoires recommandés par le fabricant.
4. Ne pas utiliser si le cordon ou la fiche est endommagé. Retourner l'appareil à un atelier de réparation s'il ne fonctionne pas bien, s'il est tombé ou s'il a été endommagé, oublié à l'extérieur ou immergé.
5. Ne pas tirer, soulever ni trainer l'appareil par le cordon. Ne pas utiliser le cordon comme une poignée, le coincer dans l'embrasure d'une porte ou l'appuyer contre des arêtes vives ou des coins. Ne pas faire rouler l'appareil sur le cordon. Garder le cordon à l'écart des surfaces chaudes.
6. Ne pas débrancher en tyrant sur le cordon. Tirer plutôt la fiche.
7. Ne pas manipuler le chargeur, y compris la prise du chargeur, et les bornes du chargeur avec les mains mouillées.
8. N'insérer aucun objet dans les ouvertures. Ne pas utiliser l'appareil lorsqu'une ouverture est bloquée. S'assurer que de la poussière, de la peluche, des cheveux ou d'autres matières ne réduisent pas le débit d'air.
9. Maintenir les cheveux, les vêtements amples, les doigts et toutes les parties du corps à l'écart des ouvertures et des pièces mobiles.
10. User de prudence lors du nettoyage des escaliers.
11. Ne pas aspirer des liquides inflammables ou combustibles, comme de l'essence, et ne pas faire fonctionner dans des endroits où peuvent se trouver de tels liquides.
12. Ne pas aspirer de matières en combustion ou qui dégagent de la fumée, comme des cigarettes, des allumettes ou des cendres chaudes.
13. Ne pas utiliser l'aspirateur sans son filtre.
14. Éviter une mise en marche accidentelle. S'assurer que l'interrupteur est à la position arrêt avant de raccorder la batterie, de lever ou de déplacer l'appareil. Transporter l'appareil en gardant un doigt sur l'interrupteur, ou mettre sous tension un appareil dont l'interrupteur est à la position marche peut causer un accident.
15. Retirer la batterie de l'appareil avant d'effectuer des réglages, changer les accessoires ou ranger l'appareil. Ces mesures de sécurité ont pour but d'éviter une mise en marche accidentelle de l'appareil.
16. Recharger uniquement avec le chargeur prescrit par le fabricant. Un chargeur convenant à un type de batterie peut présenter un risque d'incendie lorsqu'il est utilisé avec une autre batterie.
17. Utiliser uniquement les batteries recommandées pour l'appareil. L'utilisation d'autres types de batteries peut présenter un risque de blessure ou d'incendie.
18. Lorsque l'appareil n'est pas utilisé, tenir la batterie loin d'objets métalliques comme des trombones, des pièces de monnaie, des clés, des clous, des vis ou autres petits objets qui pourraient établir une liaison entre les bornes. Un court-circuit des bornes des batteries peut causer des brûlures ou un incendie.
19. En condition d'usage abusif, du liquide peut s'échapper de la batterie ; éviter tout contact avec ce liquide. En cas de contact accidentel, rincer abondamment avec de l'eau. En cas de contact avec les yeux, consulter également un médecin. Le liquide projeté peut causer des irritations ou des brûlures.

20. Ne pas utiliser une batterie ou un appareil endommagé ou qui a été modifié. Des batteries endommagées ou modifiées peuvent avoir un comportement imprévisible pouvant causer un incendie, une explosion ou un risque de blessure.
21. Ne pas exposer une batterie ou un appareil à la flamme ou à des températures excessives. L'exposition à une flamme ou à des températures supérieures à 130 °C peut causer une explosion.
22. **Protégez votre batterie de l'humidité, de la pluie et de l'humidité de l'air élevée.** L'humidité, la pluie et l'humidité de l'air élevée peuvent endommager dangereusement les cellules. En aucun cas, ne chargez ni ne travaillez avec la batterie qui a été exposée à l'humidité, à la pluie ou à l'humidité de l'air élevée – remplacez-les immédiatement !
23. Respecter toutes les instructions de chargement et ne pas charger la batterie ou l'appareil à des températures qui ne sont pas incluses dans la gamme de températures indiquées dans la notice d'instructions. Un chargement mal effectué.
24. Confier les réparations à une personne qualifiée qui utilisera uniquement des pièces de remplacement identiques. Cette façon de faire garantira la sécurité du produit.
25. Ne pas modifier ni tenter de réparer l'appareil ou la batterie sauf comme il est indiqué dans les instructions d'utilisation et d'entretien.

CONSERVER CES INSTRUCTIONS

Usage Domestique seulement

2. Description de l'appareil et contenu de l'emballage

2.1 Description de l'appareil

1. Poignée
2. Interrupteur marche / arrêt
3. Tête de l'appareil
4. Panier filtrant
5. Soupape de sécurité à flotteur
6. Crochet de fermeture
7. Réservoir
8. Raccordement de tuyau d'aspiration
9. Raccord de soufflante
10. Tuyau d'aspiration flexible
11. Support de tuyau d'aspiration
12. Embout pour jointures / à brosse
13. Embout pour capitonnages / universel

14. Filtre en mousse
15. Sac collecteur des salissures
16. Filtre complémentaire
17. Couvercle de batterie
18. Batterie (non fournie)
19. Adaptateur d'outil
20. Témoin de charge de la batterie
21. Bouton de témoin de charge de la batterie

2.2 Contenu d'emballage

Veillez contrôler l'intégralité de l'article au moyen du contenu d'emballage décrit. En cas de pièces manquantes, veuillez contacter notre centre de service à la clientèle ou le point de vente où vous avez acheté l'appareil au plus tard dans les 5 jours ouvrables à compter de l'achat de l'article en présentant un ticket de caisse valable.

- Ouvrez l'emballage et retirez-en prudemment l'appareil.
- Enlevez le matériau d'emballage ainsi que les sécurités d'emballage et de transport (le cas échéant).
- Contrôlez l'intégralité du contenu d'emballage.
- Vérifiez si l'appareil et les accessoires présentent des dommages dus au transport.
- Si possible, conservez l'emballage jusqu'à l'expiration de la durée de garantie.

Danger !

L'appareil et le matériau d'emballage ne sont pas un jouet ! Les enfants ne doivent pas jouer avec des sachets en plastique, des films ou de petites pièces ! Il existe le risque d'ingestion et de suffocation !

- Tuyau d'aspiration flexible
- Embout pour jointures / à brosse
- Embout pour capitonnages / universel
- Filtre en mousse
- Filtre complémentaire
- Sac collecteur des salissures
- Adaptateur d'outil
- Mode d'emploi d'origine avec consignes de sécurité

Accessoires disponibles séparément

- 18V 1,5Ah P-X-C batterie Li-ion
- 18V 2,0Ah P-X-C batterie Li-ion
- 18V 2,6Ah P-X-C Plus batterie Li-ion
- 18V 3,0Ah P-X-C batterie Li-ion
- 18V 4,0Ah P-X-C batterie Li-ion
- 18V 5,2Ah P-X-C Plus batterie Li-ion
- 18V P-X-C chargeur rapide à double raccord
- 18V P-X-C chargeur rapide

Explorez les options de batterie + chargeur sur einhellUSA.com


3. Utilisation conforme

L'aspirateur de liquides et de poussières sans fil convient pour l'aspiration humide et à sec à l'aide du filtre approprié. L'appareil ne convient pas pour l'aspiration de substances combustibles, explosives ou nocives.

La machine ne doit être utilisée que conformément à sa destination. Toute autre utilisation dépassant ce cadre n'est pas conforme. C'est l'utilisateur / l'opérateur qui est responsable de tous les dommages ou blessures de toute nature en résultant et non pas le fabricant.

Veillez noter que nos appareils n'ont pas été conçus pour une utilisation commerciale, artisanale ou industrielle. Nous n'accordons aucune garantie si l'appareil est utilisé dans des entreprises commerciales, artisanales ou industrielles ou pour des activités équivalentes.

4. Caractéristiques techniques

Alimentation électrique du moteur: 18 V 
 Débit d'air: 1,2 m³/min (42,4 cfm)
 Dépression: 8 kPa (1,2 psig)
 Longueur du tuyau
 avale-tout: 0,7 m – 2 m (2,2 – 6,6 ft)
 Contenance de la cuve: 10 l (2,65 gal)
 Poids (outil seulement): 3 kg (6,6 lb)

5. Avant la mise en service

5.1 Montage de l'appareil

Montage de la tête d'appareil (fig. 4)

La tête d'appareil (3) est fixée sur le réservoir (7) au moyen du crochet de verrouillage (6). Pour retirer la tête d'appareil (3), ouvrir le crochet de verrouillage (6) et retirer la tête d'appareil (3). Lors du montage de la tête d'appareil (3), veiller à ce que le crochet de verrouillage (6) soit bien enclenché.

5.2 Montage des filtres

Remarque !

Ne jamais utiliser l'aspirateur de liquides et de poussières sans filtres !

Veillez constamment à ce que les filtres soient bien fixés !

Montage du filtre en mousse (fig. 5 / pos. 14)

Pour l'aspiration humide, tirez le filtre en mousse (14) fourni sur le panier à filtres (fig. 3/4).

Montage du filtre complémentaire (fig. 6)

Pour l'aspiration à sec, utilisez toujours le filtre complémentaire fourni (16). Montez le filtre complémentaire de manière à empêcher toute aspiration d'air non filtré à travers le panier filtrant (4).

Montage du sac collecteur de saletés (fig. 7 / pos. 15)

Pour aspirer des saletés sèches et fines, il est recommandé de monter le sac collecteur des saletés (fig. 7 / pos. 15). Tirez le sac collecteur des saletés (15) sur l'orifice d'aspiration. Le sac collecteur des saletés (15) convient uniquement pour l'aspiration à sec. La poussière aspirée peut être éliminée plus aisément avec le sac collecteur des saletés.

5.3 Montage du tuyau d'aspiration (fig. 1, 3)

Selon l'utilisation, reliez le tuyau d'aspiration (10) avec le raccord correspondant de l'aspirateur de liquides et de poussières.

Aspiration

Raccordez le tuyau d'aspiration (10) au raccord de tuyau d'aspiration (8).

Soufflage

Raccordez le tuyau d'aspiration (10) au raccord de soufflage (9).

5.4 Embouts d'aspiration

Embout pour jointures / à brosse (fig. 2)

L'embout pour jointures / à brosse avec une brosse repliable (12) est prévu pour l'aspiration des matières solides et des liquides dans les coins, sur les arrêtes et dans d'autres endroits difficilement accessibles.

Embout pour les capitonnages / universel (fig. 2)

L'embout avec l'insert de brosse monté (13) est prévu pour l'aspiration des matières solides sur les capitonnages et les tapis. L'embout sans l'in-

sert de brosse monté (13) peut être utilisé pour l'aspiration des matières solides et des liquides sur de petites et moyennes surfaces. Démontez l'insert de brosse en appuyant simultanément sur le bouton et en tirant l'insert de brosse vers le côté.

Montage de l'adaptateur d'outil

Vous pouvez utiliser l'adaptateur d'outil fourni (fig. 2 / pos. 19) pour raccorder le tuyau d'aspiration (10) à l'outil. À cette fin, placez-le entre le tuyau d'aspiration et le raccord d'aspiration de l'outil. Assurez-vous que les appareils soient bien fixés et que la connexion est étanche à l'air.

Montage de la batterie (fig. 8)

Ouvrez le couvercle de batterie (15) en le relevant comme indiqué à la figure 8. Ensuite, insérez la batterie (18) dans le logement et poussez-la vers l'avant jusqu'à l'enclenchement audible.

6. Fonctionnement

6.1 Interrupteur Marche / Arrêt (fig. 1 / pos. 2)

Position de l'interrupteur 0 : arrêt

Position de l'interrupteur I : marche

6.2 Aspiration à sec

Pour l'aspiration à sec, utilisez le filtre complémentaire (16) (voir le point 5.2). Veillez toujours à la bonne fixation des filtres !

6.3 Aspiration humide

Pour l'aspiration humide, utilisez le filtre en mousse (14) (voir le point 5.2).

Veillez constamment à ce que le filtre soit bien fixé !

Lors de l'aspiration humide, la vanne à flotteur de sécurité (fig. 3 / pos. 5) se referme dès que le niveau maximal du réservoir est atteint. À ce moment le bruit d'aspiration de l'appareil change, il devient plus fort.

Éteignez alors l'appareil et videz le réservoir.

Danger !

L'aspirateur de liquides et de poussières ne convient pas pour aspirer des liquides combustibles ! Utilisez pour l'aspiration humide uniquement le filtre en mousse fourni !

6.4 Soufflage

Reliez le tuyau d'aspiration (10) avec le raccord de soufflage (9) de l'aspirateur de liquides et de poussières.

6.5 Chargement de la batterie LI

Vous trouverez les instructions correspondantes dans le mode d'emploi d'origine de votre chargeur.

6.6 Affichage de la capacité de la batterie (image 3/Pos. 2)

Appuyez sur l'interrupteur de l'affichage de la capacité de la batterie (a). L'affichage de la capacité de la batterie (2) signale l'état de charge de la batterie au moyen de 3 LEDs.

Les 3 LEDs s'allument:

La batterie est complètement chargée.

2 ou 1 LED(s) s'allume(nt):

La batterie a une charge résiduelle suffisante.

1 LED clignote:

La batterie est déchargée, chargez la batterie.

Toutes les LEDs clignent:

La batterie a été profondément déchargée et est défectueuse. Une batterie défectueuse ne peut plus être utilisée et chargée!

7. Nettoyage, entretien et commande de pièces de rechange

Danger !

Retirez la batterie avant tous les travaux de nettoyage.

7.1 Nettoyage

- Gardez les dispositifs de sécurité, les fentes d'aération et le carter du moteur aussi exempts de poussière et de salissures que possible.
- Nous recommandons de nettoyer l'appareil immédiatement après chaque utilisation.

7.2 Nettoyage de la tête de l'appareil (fig. 1 / pos. 3)

Nettoyez l'appareil régulièrement avec un petit chiffon humide et un peu de savon noir. N'utilisez pas de détergents ni de solvants parce qu'ils peuvent attaquer les pièces en plastique de l'appareil.

7.3 Nettoyage du réservoir (fig. 1 / pos. 7)

Selon le degré de salissure, nettoyez le réservoir avec un chiffon humide et un peu de savon noir ou sous l'eau courante.

7.4 Nettoyage des filtres

Nettoyage du filtre en mousse et du filtre complémentaire (fig. 2)

Nettoyez le filtre en mousse (14) et le filtre complémentaire (16) avec un peu de savon liquide sous l'eau courante et laissez-les sécher à l'air.

7.5 Maintenance

Vérifiez régulièrement et avant chaque utilisation si les filtres de l'aspirateur de liquides et de poussières sont bien fixés.

7.6 Commande des pièces de rechange : Service

1. **Si votre outil électrique doit être réparé, veuillez contacter un distributeur autorisé d'Einhell USA ou appeler le centre de service à la clientèle d'Einhell USA au numéro 1-866-EINHELL (1-866-346-4355).** Seules les pièces de rechange identiques doivent être utilisées pour les réparations. Cela permet de garantir la sécurité de l'outil électrique.
2. **Si le câble du chargeur est endommagé, il doit être immédiatement remplacé pour empêcher un accident.** Pour obtenir de l'assistance, veuillez contacter le centre de service à la clientèle d'Einhell USA® au numéro 1-866-EINHELL (1-866-346-4355).

8. Élimination et revalorisation

L'appareil se trouve dans un emballage pour empêcher les dommages dus au transport. Cet emballage constitue une matière première et peut par conséquent est réutilisé ou peut être recyclé. L'appareil et ses accessoires sont fabriqués à partir de différents produits, comme p. ex. le métal et les matières plastiques. Ne jetez pas les appareils défectueux dans les déchets ménagers. Pour être éliminé de façon appropriée, l'appareil devrait être déposé à un lieu de collecte approprié. Si vous ne connaissez aucun lieu de collecte, informez-vous auprès de l'administration municipale.

9. Conservation

Conservez l'appareil et ses accessoires dans un endroit sombre, sec et exempt de gel ainsi que hors la portée des enfants. La température de conservation optimale se situe entre 41 °F et 86 °F (5 °C et 30 °C). Conservez l'outil électrique dans l'emballage d'origine.

Une réimpression ou toute autre reproduction de la documentation et des documents accompagnant les produits, même par extraits, ne sont autorisées qu'avec accord exprès d'Einhell Germany AG.

Sous réserve des modifications techniques.

Einhell®

PROMESSE D'EINHELL À SES CLIENTS

LA QUALITÉ PRIME. Le nom d'Einhell est synonyme des outils performants et de la fabrication européenne de haute qualité. Des perceuses sans fil aux tondeuses à gazon électriques, Einhell USA conçoit et développe des outils électriques et de jardinage à main de pointe pour les bricoleurs, jardiniers amateurs et réparateurs.

Les équipes d'assurance de la qualité et d'ingénieurs d'Einhell USA garantissent que les produits subissent de sévères tests de qualité et de performance. Nous savons que parfois les outils solides traversent les époques dures. Si jamais vous avez un problème avec votre produit, soyez sûr que nous ferons tout notre possible pour vous rendre un outil prêt à travailler aussi dur que vous.

ENREGISTREMENT DU PRODUIT :

Einhell vous encourage vivement d'enregistrer votre achat. Vous pouvez enregistrer en ligne sur **EinhellUSA.com**. Si vous n'enregistrez pas le produit que vous avez acheté, cela n'affectera pas vos droits de garantie. Toutefois, si vous enregistrez votre achat, Einhell pourra mieux vous servir pour tous vos besoins de client.

QU'EST-CE QUI EST COUVERT ?

Einhell garantit au propriétaire que si cet appareil a un problème pendant une période de 2 ans à partir de la date d'achat à cause d'un défaut de matériau ou de fabrication ou en raison de l'usure normale au cours d'un usage domestique normal, Einhell enverra une pièce ou un produit de rechange, au besoin, gratuitement et sans frais de port à l'acheteur initial. Si, à la seule discrétion d'Einhell, l'appareil défectueux ne peut pas être réparé avec une pièce, Einhell soit (A) enverra gratuitement et sans frais de port un nouvel appareil, soit (B) remboursera au propriétaire la totalité du prix d'achat.

QUI PEUT SOLLICITER LA COUVERTURE DE GARANTIE ?

Cette garantie est consentie par Einhell au propriétaire de cet appareil (un « appareil » consiste en un produit alimenté par un moteur) pour un usage domestique personnel exclusivement. Cette garantie est limitée aux trente (30) jours à compter de l'achat initial de tout produit de marque EINHELL utilisé à des fins commerciales ou à d'autres fins lucratives. Si la propriété de cet appareil change pendant la période couverte, veuillez mettre à jour l'information relative au propriétaire de l'appareil sur **EinhellUSA.com**

QU'EST-CE QUI N'EST PAS COUVERT ?

Cette garantie ne couvre pas les produits ayant fait l'objet d'un usage abusif ou négligent, d'un manque d'entretien, ayant été impliqués dans un accident ou employés d'une façon contraire au mode d'emploi, comme c'est spécifié dans le guide d'utilisation. Cette

garantie ne couvre pas les modifications superficielles n'affectant pas la performance.

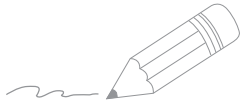
Cette garantie n'est valable que si l'appareil est utilisé et entretenu conformément aux instructions, avertissements et mises en garde figurant dans le manuel du propriétaire. Einhell ne sera pas responsable du coût des réparations de garantie non autorisées. Cette garantie ne couvre pas les coûts et dépenses engagés par l'acheteur pour se procurer un équipement ou un service de substitution pendant les périodes raisonnables de dysfonctionnement ou de non-utilisation de ce produit dans l'attente d'une pièce ou d'une unité de rechange en vertu de cette garantie.

Les pièces d'usure, comme les courroies, les vis sans fin, les chaînes et les dents, ne sont pas couvertes par cette garantie et peuvent être achetées sur **EinhellUSA.com** ou en appelant au numéro **1-866-EINHELL (1-866-346-4355)**. Les batteries sont entièrement couvertes pendant 90 jours à partir de la date d'achat.

La réparation, le remplacement et le remboursement du prix d'achat sont les seuls moyens de l'acheteur et la seule responsabilité d'Einhell au titre de cette garantie. Les employés et les représentants d'Einhell ne sont pas autorisés à concéder une garantie supplémentaire ni à apporter une modification de cette garantie susceptible d'engager Einhell. Par conséquent, l'acheteur ne devrait pas se fier aux déclarations supplémentaires faites par un employé ou un représentant d'Einhell. En aucun cas, sur la base d'un contrat, d'une indemnisation, d'une garantie, d'un tort (y compris la négligence), d'une responsabilité sans faute, etc., Einhell ne sera responsable des dommages spécifiques, indirects, accessoires ou consécutifs, y compris mais sans s'y limiter la perte de bénéfices ou de revenus.

Certains États n'autorisent pas de limitations aux garanties. Dans tels États, les limitations ci-dessus pourraient ne pas s'appliquer à vous.

D'autres garanties peuvent s'appliquer en dehors des États-Unis et le Canada.



A series of 20 horizontal lines for writing, starting from the top right of the page and extending downwards.



EH 03/2020 (02)