

Original operating instructions
Hand-Held Electric Planer

Einhell[®]

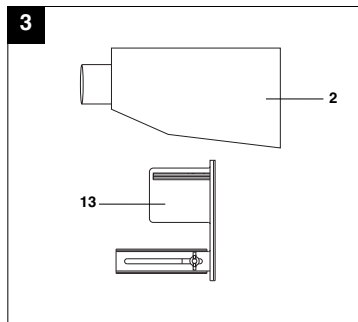
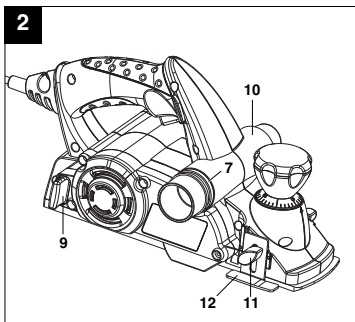
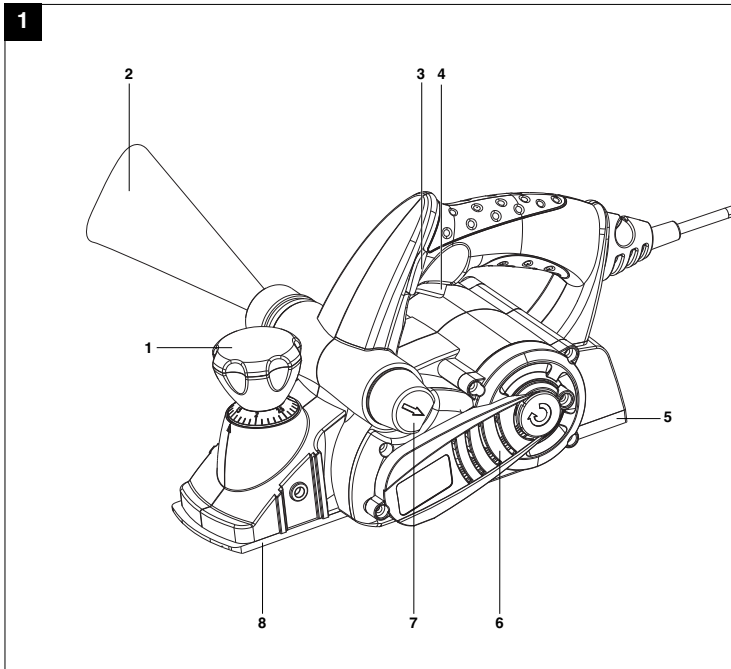
7



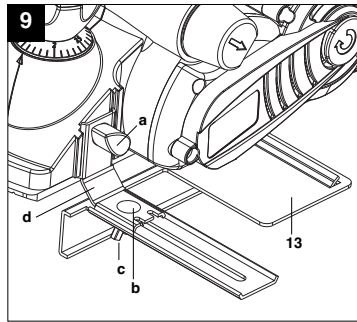
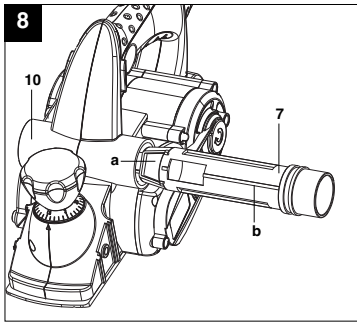
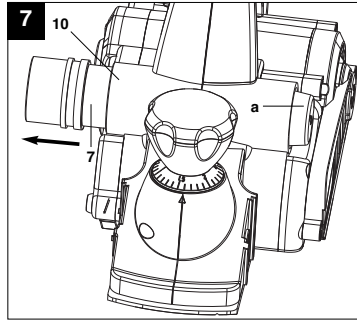
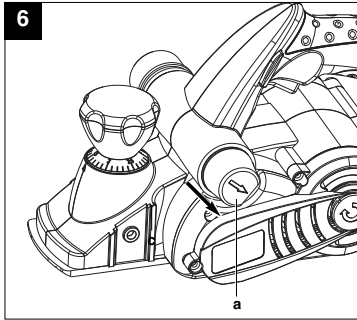
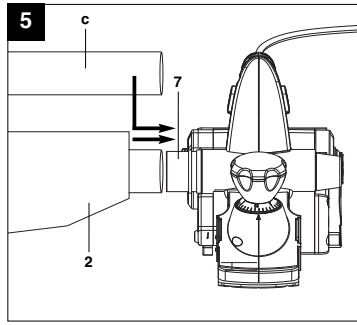
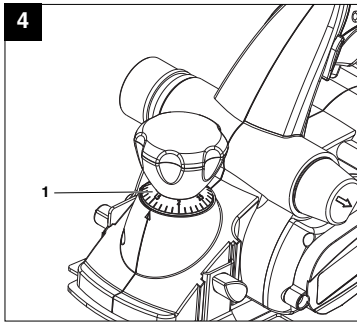
Art.-Nr.: 43.452.73

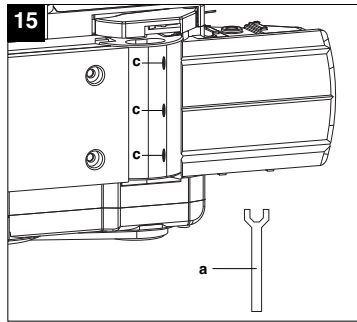
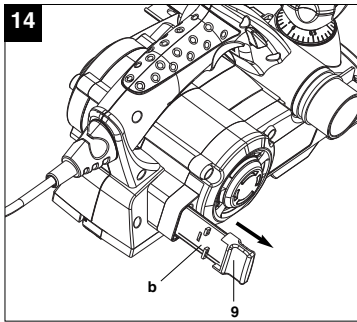
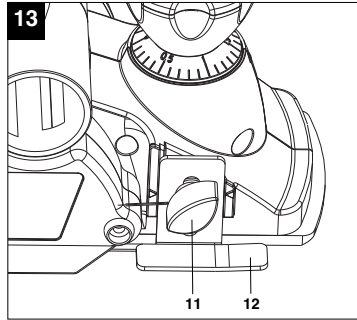
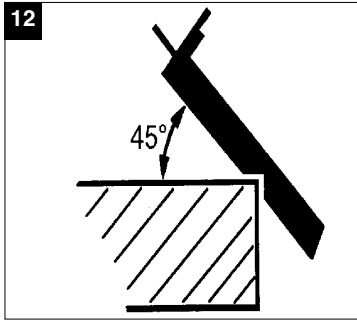
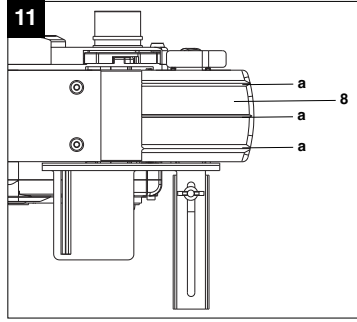
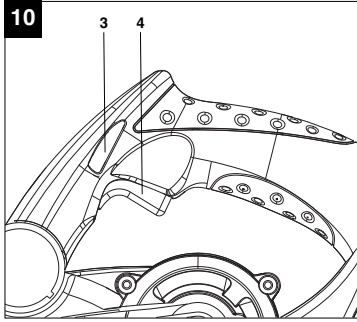
I.-Nr.: 11010

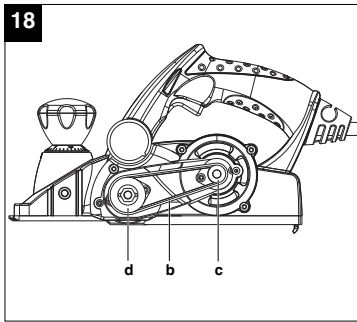
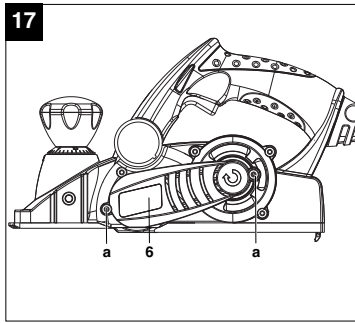
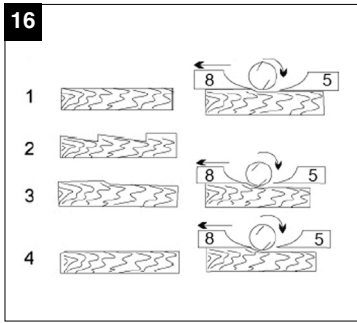
RT-PL **82**



2







GB



"Caution - Read the operating instructions to reduce the risk of injury"



Wear ear-muffs.
The impact of noise can cause damage to hearing.



Wear a breathing mask.
Dust which is injurious to health can be generated when working on wood and other materials.
Never use the device to work on any materials containing asbestos!



Wear safety goggles.
Sparks generated during working or splinters, chips and dust emitted by the device can cause loss of sight.

⚠ Important!

When using equipment, a few safety precautions must be observed to avoid injuries and damage. Please read the complete operating manual with due care. Keep this manual in a safe place, so that the information is available at all times. If you give the equipment to any other person, give them these operating instructions as well.
We accept no liability for damage or accidents which arise due to non-observance of these instructions and the safety information.

1. Safety information

Please refer to the booklet included in delivery for the safety instructions.

⚠ CAUTION!

Read all safety regulations and instructions.

Any errors made in following the safety regulations and instructions may result in an electric shock, fire and/or serious injury.

Keep all safety regulations and instructions in a safe place for future use.

2. Layout (Figs. 1/2/3)

1. Setting knob for the chip depth
2. Dust bag
3. Safety lock-off
4. ON/OFF switch
5. Rear base plate
6. Belt cover
7. Adapter for chip ejector
8. Front base plate
9. Storage compartment for accessories
10. Mount for chip ejector adapter
11. Thumb screw for step depth scale
12. Step depth scale
13. Parallel stop


3. Proper use

The hand-held electric plane is designed for planing, rabbeting and chamfering pieces of wood.

The machine is to be used only for its prescribed purpose. Any other use is deemed to be a case of misuse. The user / operator and not the manufacturer will be liable for any damage or injuries of any kind caused as a result of this.

Please note that our equipment has not been designed for use in commercial, trade or industrial applications. Our warranty will be voided if the machine is used in commercial, trade or industrial businesses or for equivalent purposes.

4. Technical data

Mains voltage:	230 V ~ 50 Hz
Power input:	850 W
Idling speed:	15,000 min ⁻¹
Chip depth:	0-3 mm
Rebate depth:	0-18 mm
Plane width:	82 mm
Protection class:	II / 
Weight:	3.2 kg

Sound and vibration

Sound and vibration values were measured in accordance with EN 60745.

L _{pA} sound pressure level	94 dB(A)
K _{pA} uncertainty	3 dB
L _{WA} sound power level	105 dB(A)
K _{WA} uncertainty	3 dB

Wear ear-muffs.

The impact of noise can cause damage to hearing.

Total vibration values (vector sum of three directions) determined in accordance with EN 60745.

Vibration emission value a_h = 3,61 m/s²
K uncertainty = 1,5 m/s²

⚠ Important!

The vibration value changes according to the area of application of the electric tool and may exceed the specified value in exceptional circumstances.

Keep the noise emissions and vibrations to a minimum.

- Only use appliances which are in perfect working order.
- Service and clean the appliance regularly.
- Adapt your working style to suit the appliance.
- Do not overload the appliance.
- Have the appliance serviced whenever necessary.

GB

- Switch the appliance off when it is not in use.
- Wear protective gloves.

5. Before starting the equipment

Before you connect the equipment to the mains supply make sure that the data on the rating plate are identical to the mains data.

Always pull the power plug before making adjustments to the equipment.

⚠ Important: For safety reasons, the electric plane must not be operated with the storage compartment for accessories (9) inserted.

5.1 Adjusting the chip depth (Fig. 4/Item 1)

You can adjust the chip depth in steps of 0.1 mm from 0 to 3 mm by turning the setting knob for the chip depth (1).

Turn the setting knob for the chip depth (1) in a clockwise direction to set a greater chip depth.
Greater chip depth

Turn the setting knob for the chip depth (1) in a counter-clockwise direction to set a lower chip depth.
Lower chip depth

After finishing work, set the chip depth so that the knives are lowered and thus protected from damage. Turn the setting knob for the chip depth to position "0" for this purpose.

5.2 Sawdust extraction (Fig. 5-8)

For an optimal sawdust extraction you can connect the supplied dust bag (2) to the hand-held electric plane. To do so, slide the dust bag (2) into the adaptor for the chip ejector (7).

The dust bag (2) can be connected optionally on either the left or right. This requires the chip ejector adapter (7) to be fitted accordingly. To remove the chip ejector adapter from the mount, first press the locking knob (a) and then pull the adapter (7) out of the mount (10). Plug the adapter (7) with the required eject direction into the mount (10). As you do so, make sure that the guide (b) of the adapter (7) coincides with the slot of the mount (10). When the locking knob (a) engages correctly it makes an audible click. Check that the adapter is secure.

Alternatively you can connect the equipment to a vacuum cleaner. To do so, insert the vacuum cleaner tube (c) into the chip ejector adapter (7). Check that all the parts are properly connected.

Important! The vacuum cleaner you use for the extraction work must be suitable for the workpiece material.

5.3 Parallel stop (Fig. 9/Item 13)

Use the parallel stop (13) when you want to plane parallel to the edge of the workpiece.

Fitting the parallel stop (Fig. 9)

- Fasten the mount (d) of the parallel stop to the left side of the tool using the supplied thumb screw (a).
- Now connect the mount (d) to the slide of the parallel stop (13).
- The guide rail must always be aligned in downward direction.
- Fix the distance required between the parallel stop and the edge of the workpiece.
- Fasten the parts with the carriage bolt (b) and the wing nut (c).

6. Operation

6.1 ON/OFF switch (Fig. 10)

- The hand-held electric plane comes with a safety switch which is designed to prevent accidents.
- To switch on the tool press the side safety lock-off (3) and press the button switch. The safety lock-off (3) can be pressed from the left and right.
- Release the button switch (4) to switch off the electric plane. The button switch (4) jumps back into its starting position.

6.2 Practical tips

⚠ Important: Only ever bring the hand-held electric plane towards the workpiece while switched on.

6.2.1 Planing surfaces

Now adjust the desired chip depth. Equip the front base plate and place the hand-held electric plane onto the piece of wood you wish to plane. Then switch on the plane. Push the electric plane over the surface with both hands and make sure that the both the front and the rear base plate lie flat on the workpiece.

Used a low chip depth for finishing surfaces and complete several passes over the surface.



6.2.2 Chamfering edges (Fig. 11-12)

- There are three V-shaped grooves (a) in the front base plate that enable you to plane edges at an angle of 45° for a smooth finish. You can choose from three different sizes of V-shaped grooves (a).
- Switch on the tool and wait until it reaches full speed. Place the required V-shaped groove (a) on the edge of the workpiece at an angle of 45°.
- Now move the electric plane along the edge of the workpiece.
- To achieve a good quality result you should keep the feed speed and angle constant.

6.2.3 Planing steps (Fig. 9/13)

- The planing of steps is possible with the help of the parallel stop (13).
- Mount the parallel stop (13) on the left side of the tool (see section 5.3).
- To mount the depth stop fasten the step depth scale (12) to the front right side of the plane housing with the locking screw (11) (see Fig. 13).
- Release the locking screw (11) and position the step depth scale (12) so that the required step depth is displayed. Tighten the locking screw (11) again.

Width of step:

You can set the width of the step with the parallel stop (13).

Depth of step:

We recommend you to set a cutting depth of 2 mm and to keep planing the workpiece until the required depth of step is reached.

7. Replacing the power cable

If the power cable for this equipment is damaged, it must be replaced by the manufacturer or its after-sales service or similarly trained personnel to avoid danger.

8. Cleaning, maintenance and ordering of spare parts

Always pull out the mains power plug before starting any cleaning work.

8.1 Cleaning

- Keep all safety devices, air vents and the motor housing free of dirt and dust as far as possible. Wipe the equipment with a clean cloth or blow it with compressed air at low pressure.
- We recommend that you clean the device immediately each time you have finished using it.
- Clean the equipment regularly with a moist cloth and some soft soap. Do not use cleaning agents or solvents; these could attack the plastic parts of the equipment. Ensure that no water can seep into the device.

8.2 Carbon brushes

In case of excessive sparking, have the carbon brushes checked only by a qualified electrician. Important! The carbon brushes should not be replaced by anyone but a qualified electrician.

8.3. Changing the planing knives (Fig. 14-16)

⚠ Important: Always pull the plug out of the power socket before doing any work on the equipment.

To change the planing knives, use the supplied wrench (a). The wrench (a) is kept in the storage compartment for accessories (9). If required, take the wrench (a) and the planing knife (b) out of the storage compartment for accessories (9) (see Fig. 14).

⚠ Important: For safety reasons, the electric plane must not be operated with the storage compartment for accessories (9) inserted.

The hand-held electric plane comes with two carbide metal reversible knives. Reversible knives have two cutting edges and can be reversed. The guide slot on the reversible knives ensures the same height setting after a change. Replace a worn, blunt or damaged knife.

Carbide metal reversible knives cannot be re-sharpened.

Undo the three hexagonal screws (c) using the wrench (a) supplied and push the carbide metal reversible knife out of the planing shaft using a piece of wood. (see Fig. 15).

GB

Clean the knife seat before fitting. Install the knives in reverse order. Check that the planing knife conforms with both ends of the planing shaft. Always replace both knives to ensure a uniform chip depth.

⚠ Important: Before using the hand-held electric plane make sure the knives are installed securely and in the right place.

Check the correct setting (Fig. 16)

- (8) Front base plate (moving plane shoe)
- (5) Rear base plate (fixed plane shoe)

1. Correct adjustment

Result: Smooth planed surfaces

2. Notches in the surface

Problem: The cutting edge on the planing knife (or both planing knives) is not parallel to the height of the rear base plate.

3. Furrows at the start of the planed surface

Problem: The cutting edge on the planing knife (or both planing knives) is below the height of the rear base plate.

4. Furrows at the end of the planed surface

Problem: The cutting edge on the planing knife (or both planing knives) is above the height of the rear base plate.

8.4 Replacing the drive belt (Fig. 17-18)

- The belt should be replaced by a trained expert.
- The drive belt (b) must be replaced if it is worn.
- Undo the screws (a) and remove belt cover at the sides (6).
- Remove the worn belt drive (b) and clean the two belt pulleys (c/d).
- Place the new drive belt on the small belt pulley (c) and pull the belt onto the large belt pulley (d) whilst turning the planing shaft.
- Ensure that the longitudinal grooves on the drive belt are in the guide grooves on the drive wheels.
- Fit the belt cover (6) and secure it with the screws (a).

8.5 Maintenance

There are no parts inside the equipment which require additional maintenance.

8.6 Ordering replacement parts

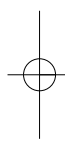
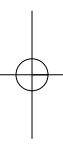
Please quote the following data when ordering replacement parts:

- Type of machine
 - Article number of the machine
 - Identification number of the machine
 - Replacement part number of the part required
- For our latest prices and information please go to www.isc-gmbh.info

9. Disposal and recycling

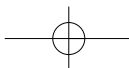
The unit is supplied in packaging to prevent its being damaged in transit. This packaging is raw material and can therefore be reused or can be returned to the raw material system.

The unit and its accessories are made of various types of material, such as metal and plastic. Defective components must be disposed of as special waste. Ask your dealer or your local council.



©
The reprinting or reproduction by any other means, in whole or in part,
of documentation and papers accompanying products is permitted only
with the express consent of ISC GmbH.

• Technical changes subject to change



GUARANTEE CERTIFICATE

Dear Customer,

All of our products undergo strict quality checks to ensure that they reach you in perfect condition. In the unlikely event that your device develops a fault, please contact our service department at the address shown on this guarantee card. Of course, if you would prefer to call us then we are also happy to offer our assistance under the service number printed below. Please note the following terms under which guarantee claims can be made:

1. These guarantee terms cover additional guarantee rights and do not affect your statutory warranty rights. We do not charge you for this guarantee.
2. Our guarantee only covers problems caused by material or manufacturing defects, and it is restricted to the rectification of these defects or replacement of the device. Please note that our devices have not been designed for use in commercial, trade or industrial applications. Consequently, the guarantee is invalidated if the equipment is used in commercial, trade or industrial applications or for other equivalent activities. The following are also excluded from our guarantee: compensation for transport damage, damage caused by failure to comply with the installation/assembly instructions or damage caused by unprofessional installation, failure to comply with the operating instructions (e.g. connection to the wrong mains voltage or current type), misuse or inappropriate use (such as overloading of the device or use of non-approved tools or accessories), failure to comply with the maintenance and safety regulations, ingress of foreign bodies into the device (e.g. sand, stones or dust), effects of force or external influences (e.g. damage caused by the device being dropped) and normal wear resulting from proper operation of the device. This applies in particular to rechargeable batteries for which we nevertheless issue a guarantee period of 12 months.

The guarantee is rendered null and void if any attempt is made to tamper with the device.
3. The guarantee is valid for a period of 2 years starting from the purchase date of the device. Guarantee claims should be submitted before the end of the guarantee period within two weeks of the defect being noticed. No guarantee claims will be accepted after the end of the guarantee period. The original guarantee period remains applicable to the device even if repairs are carried out or parts are replaced. In such cases, the work performed or parts fitted will not result in an extension of the guarantee period, and no new guarantee will become active for the work performed or parts fitted. This also applies when an on-site service is used.
4. In order to assert your guarantee claim, please send your defective device postage-free to the address shown below. Please enclose either the original or a copy of your sales receipt or another dated proof of purchase. Please keep your sales receipt in a safe place, as it is your proof of purchase. It would help us if you could describe the nature of the problem in as much detail as possible. If the defect is covered by our guarantee then your device will either be repaired immediately and returned to you, or we will send you a new device.

Of course, we are also happy offer a chargeable repair service for any defects which are not covered by the scope of this guarantee or for units which are no longer covered. To take advantage of this service, please send the device to our service address.

Poweron Imports Limited
17 Lorien Place
East Tamaki
Manukau City 2161
Auckland
Telephone (09) 2746950