

**/// PARKSIDE®**

**PASS 3.6 A1**



GB

### **CORDLESS SCREWDRIVER**

Operation and Safety Notes  
Original operating instructions

SI

### **AKUMULATORSKI PALIČNI VIJAČNIK**

Navodila za upravljanje in varnostna opozorila  
Originalna navodila za uporabo

SK

### **AKUMULÁTOROVÝ SKRUTKOVÁČ**

Pokyny pre obsluhu a bezpečnostné pokyny  
Originálny návod na obsluhu

DE AT CH

### **AKKU-STABSCHRAUBER**

Bedienungs- und Sicherheitshinweise  
Originalbetriebsanleitung

HU

### **AKKUS RÚDCSAVAROZÓ**

Kezelési és biztonsági utalások  
Eredeti használati utasítás

CZ

### **AKU ŠROUBOVÁK**

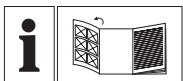
Pokyny pro obsluhu a bezpečnostní pokyny  
Originální návod k obsluze

PL

### **WKREŃAK AKUMULATOROWY**

Wskazówki dotyczące obsługi i bezpieczeństwa  
Instrukcją oryginalną

4 



(GB)

Before reading, unfold the page containing the illustrations and familiarise yourself with all functions of the device.

(HU)

Olvasás előtt kattintson az ábrát tartalmazó oldalra és végezetül ismerje meg a készülék mindegyik funkcióját.

(SI)

Pred branjem stran s slikami odprite navzven in se nato seznanite z vsemi funkcijami naprave.

(CZ)

Před čtením si otevřete stranu s obrázky a potom se seznamte se všemi funkcemi přístroje.

(SK)

Pred čítaním si odklopte stranu s obrázkami a potom sa oboznámte so všetkými funkciami prístroja.

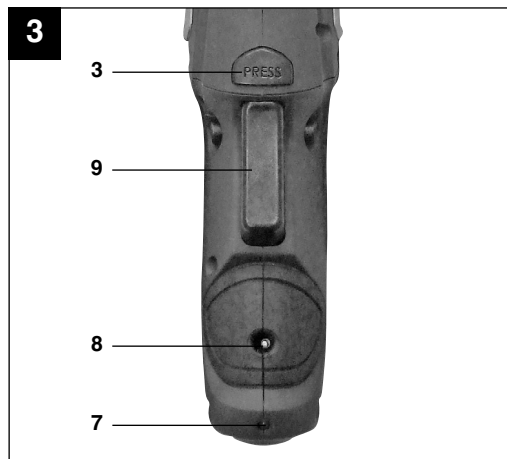
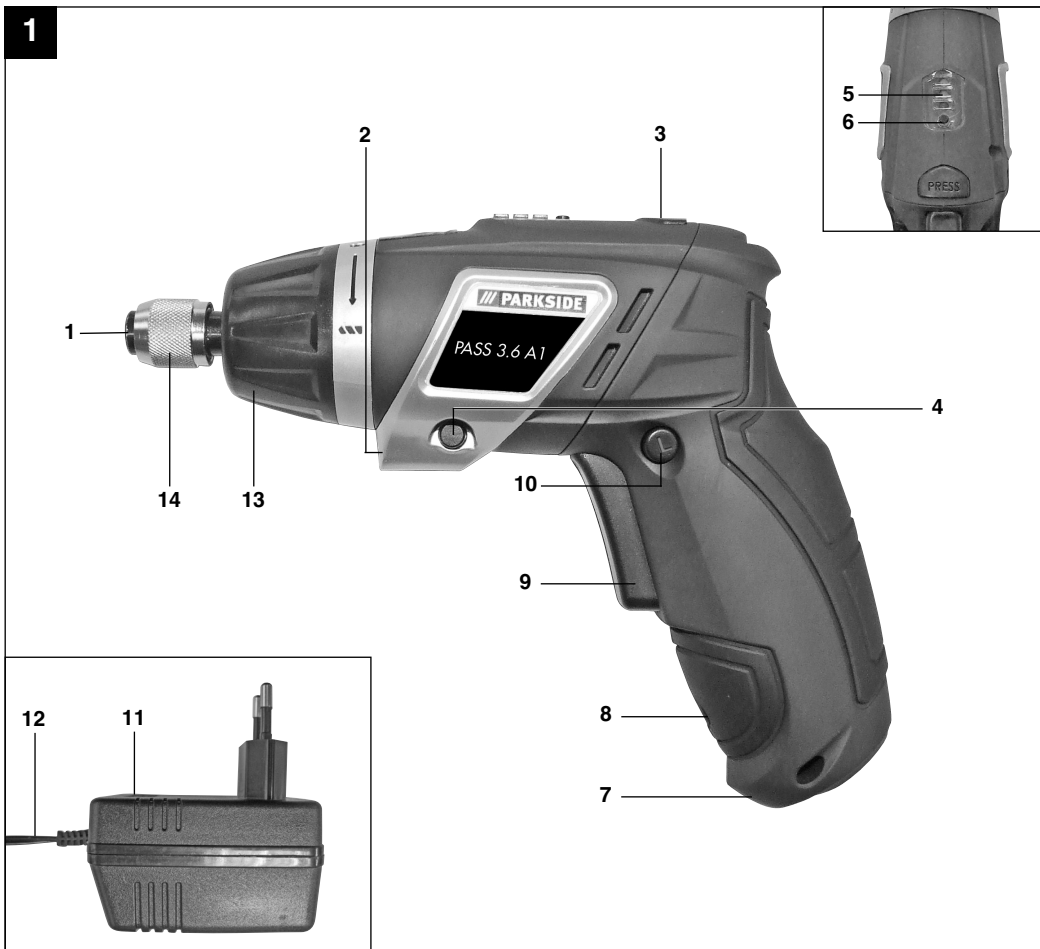
(PL)

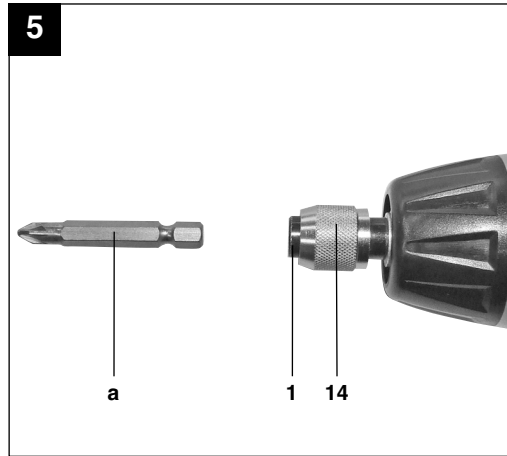
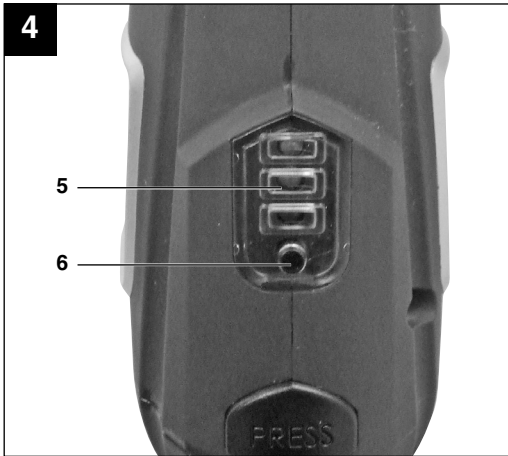
Przed przeczytaniem proszę rozłożyć stronę z ilustracjami, a następnie proszę zapoznać się z wszystkimi funkcjami urządzenia.

(DE AT CH)

Klappen Sie vor dem Lesen die Seite mit den Abbildungen aus und machen Sie sich anschließend mit allen Funktionen des Gerätes vertraut.

GB	Operation and Safety Notes	Page	5
HU	Kezelési és biztonsági utalások	Oldal	18
SI	Navodila za upravljanje in varnostna opozorila	Stran	31
CZ	Pokyny pro obsluhu a bezpečnostní pokyny	Strana	44
SK	Pokyny pre obsluhu a bezpečnostné pokyny	Strana	57
PL	Wskazówki dotyczące obsługi i bezpieczeństwa	Strona	71
DE/AT/CH	Bedienungs- und Sicherheitshinweise	Seite	85







**Table of contents:**

**Page**

1. Introduction .....	7
2. Safety regulations .....	7-11
3. Layout .....	11
4. Items supplied.....	11
5. Intended use .....	12
6. Technical data .....	12-13
7. Before starting the equipment.....	13
8. Operation .....	13-14
9. Cleaning, maintenance and ordering of spare parts .....	15
10. Disposal and recycling.....	15
11. Declaration of conformity .....	16
12. Guarantee Certificate .....	17

The reprinting or reproduction by any other means, in whole or in part, of documentation and papers accompanying products is permitted only with the express consent of ISC GmbH.

Technical changes subject to change

**GB**



“Caution - Read the operating instructions to reduce the risk of injury”

## 1. Introduction

### ⚠ Important!

When using equipment, a few safety precautions must be observed to avoid injuries and damage. Please read the complete operating manual with due care. Keep this manual in a safe place, so that the information is available at all times. If you give the equipment to any other person, give them these operating instructions as well. We accept no liability for damage or accidents which arise due to non-observance of these instructions and the safety information.

## 2. Safety regulations

### General safety instructions for electric tools

#### ⚠ CAUTION!

**Read all safety regulations and instructions.**

Any errors made in following the safety regulations and instructions may result in an electric shock, fire and/or serious injury.

**Keep all safety regulations and instructions in a safe place for future use.**

The term "electric tool" used in the safety regulations refers to electric tools operated from the mains power supply (with a power cable) and to battery operated electric tools (without a power cable).

### 1. Workplace safety

- **Keep your work area clean and well illuminated.** Untidy or unlit work areas can result in accidents.
- **Do not use this tool in a potentially explosive environment containing combustible liquids, gases or dust.** Electric tools generate sparks, which can in turn ignite dust or vapors.
- **Keep children and other persons away from the electric tool while it is being used.** Allowing yourself to get distracted can

cause you to lose control of the tool.

## 2. ELECTRICAL SAFETY

- **The tool's connector plug must be able to fit into the socket outlet. Do not modify the plug in any way! Do not use adapter plugs in conjunction with electrically grounded tools.** Unmodified plugs and matching socket outlets reduce the risk of an electric shock.
  - **Avoid touching grounded surfaces, such as those of pipes/tubes, heaters, cookers and refrigerators.** There is an increased risk of getting an electric shock if you are electrically grounded.
  - **Keep the tool away from rain and moisture/wet conditions.** Penetration of water into an electric tool increases the risk of an electric shock.
  - **Do not use the cable to carry the tool, hang it up or pull the plug out of the socket. Keep the cable away from sources of heat, oil, sharp edges and moving tool parts.** Damaged or tangled cable increases the risk of an electric shock.
  - **If you intend to use an electric tool outdoors, ensure that you only use extension cable that is approved for outdoor applications.** Using extension cable that is approved for outdoor applications reduces the risk of an electric shock.
  - **If operation of the electric tool in a damp environment can not be avoided, use a earth-leakage circuit-breaker.** The earth-leakage circuit-breaker reduces the risk of an electric shock.
- ## 3. PERSONAL SAFETY
- **Be alert, work conscientiously and exercise appropriate caution when using the electric tool. Do not use the tool if you are tired or are under the influence of drugs/medication or alcohol.** One moment of carelessness or lack of attention when using the electric tool can cause serious bodily injury!
  - **Always wear personal protective**

**GB****equipment (PPE), including safety goggles.**

Wearing personal protective equipment such as a dust mask, non-slip footwear, protective headgear and ear muffs (depending upon the type of electric tool and the particular application) reduces the risk of sustaining injury.

- **Make sure that the tool cannot start up accidentally. Ensure that the electric tool is switched off before you connect the tool to the power supply and/or insert the battery, or pick up or carry the tool.**

Physically touching the switch with your finger when carrying the tool or connecting the tool to the power supply switched on can lead to accidents.

- **Remove adjusting tools/wrench(es) prior to switching on the power tool.**

A tool or wrench that is positioned inside a rotating power tool part can cause injury.

- **Avoid abnormal working postures. Make sure you stand squarely and keep your balance at all times.**

This way, you will be able to have better control over the tool in unexpected situations.

- **Wear suitable clothes. Never wear loose fitting clothes or jewelry. Keep hair, clothes and gloves away from moving parts.**

Loose clothing, dangling jewelry and long hair can be caught by moving parts.

- **If dust extraction and dust collection devices can be mounted, ensure that these are connected and are properly used.**

The use of a dust extraction system can reduce the danger posed by dust.

**4. Using the treatment of electric tools**

- **Do not overload your tool. Only use suitable electric tools to perform your work.**

Using the right electric tool allows you to work better and safer within the tool's quoted capacity range.

- **Do not use an electric tool whose switch is defective.**

An electric tool that no longer can be switched on or off is dangerous and must be repaired.

- **Pull the plug out of the socket and/or remove the battery before making any adjustments to the tool, changing accessories or put the tool down.**

This precaution eliminates the possibility of inadvertently starting the tool.

- **When not in use, store electric tools out of the reach of children. Do not allow those persons to use this tool who are unfamiliar with it or who have not read these instructions.**

Electric tools are dangerous when they are used by inexperienced persons.

- **Take good care of your tool. Check that moving parts properly function and do not jam, that parts are not broken off or damaged in any way and that the tool can be used to its full capacity. Have damaged parts repaired prior to using the tool.**

The cause of many accidents can be traced back to poorly maintained electric tools.

- **Keep your blades sharp and clean.** Properly maintained blades with sharp edges jam less frequently and are easier to use.

- **Make sure to use electric tools, accessories, attachments, etc. in accordance with these instructions. Take the conditions in your work area and the job in hand into account.**

Using electric tools for applications other than those intended can lead to dangerous situations.

**5. Usage and treatment of battery powered electric tools**

- **Only charge the batteries in chargers that are recommended by the manufacturer.** A charger that is designed for a certain type of batteries may pose a fire risk if it is used with other types of batteries.

- **Use only the correct batteries in the electric tools.** The use of other batteries may result in injuries and a fire risk.

- **Keep unused batteries away from paper**



**clips, coins, keys, nails, screws and other metallic objects that could cause a short circuit between the contacts.** A short circuit between the battery contacts may cause burns or a fire.

- **In case of incorrect use, fluid may escape from the battery. Avoid contact with it. If you touch it by mistake, rinse the affected area with water. If you get the fluid in your eyes, also seek medical advice.** Leaking battery fluid can cause skin irritation or burns.

## 6. SERVICE

- **Have your tool repaired only by authorized specialists using original replacement parts.**

This will ensure that your tool remains safe to use.

**Hold the equipment by the insulated handles when carrying out work during which the screw or the plug-in tool could strike concealed power cables.** Contact with a live cable may also make the metal parts of the equipment live and cause an electric shock.

### Additional safety instructions

We pay a great deal of attention to the design of every battery pack to ensure that we supply you with batteries which feature maximum power density, durability and safety. The battery cells have a wide range of safety devices. Each individual cell is initially formatted and its electrical characteristic curves are recorded. These data are then used exclusively to be able to assemble the best possible battery packs. **Despite all the safety precautions, caution must always be exercised when handling batteries. The following points must be obeyed at all times to ensure safe use.**

**Safe use can only be guaranteed if undamaged cells are used. Incorrect handling can cause cell damage.**

**Important:** Analyses confirm that incorrect use and poor care are the main causes of the damage caused by high performance batteries.

### Information about the battery

- The battery pack supplied with your cordless tool is not charged. The battery pack has to be charged before you use the tool for the first time.
- For optimum battery performance avoid low discharge cycles. Charge the battery pack frequently.
- Store the battery pack in a cool place, ideally at 15°C and charged to at least 40%.
- Lithium-ion batteries are subject to a natural ageing process. The battery pack must be replaced at the latest when its capacity falls to just 80% of its capacity when new. Weakened cells in an aged battery pack are no longer capable of meeting the high power requirements and therefore pose a safety risk.
- Do not throw battery packs into an open fire. There is a risk of explosion!
- Do not ignite the battery pack or expose it to fire.
- **Do not exhaustively discharge batteries.** Exhaustive discharge will damage the battery cells. The most common cause of exhaustive discharge is lengthy storage or non-use of partly discharged batteries. Stop working as soon as the performance of the battery falls noticeably or the electronic protection system triggers. Place the battery pack in storage only after it has been fully charged.
- **Protect batteries and the tool from overloads.** Overloads will quickly result in overheating and cell damage inside the battery housing without this overheating actually being apparent externally.
- **Avoid damage and shocks.** Replace batteries which have been dropped from a height of more than one meter or which have been exposed to violent shocks without delay, even if the housing of the battery pack appears to be undamaged. The battery cells inside the battery may have suffered serious damage. In this respect,

**GB**

please also read the waste disposal information.

- If the battery pack suffers overloading and overheating, the integrated protective cut-off will switch off the equipment for safety reasons. **Important.** Do not press the ON/OFF switch any more if the protective cut-off has actuated. This may damage the battery pack.
- Use only original battery packs. The use of other batteries may result in injuries, explosion and a fire risk.

#### Information on chargers and the charging process

- Do not use the supplied battery charger to charge non-rechargeable batteries.
- Please check the data marked on the rating plate of the battery charger. Be sure to connect the battery charger to a power supply with the voltage marked on the rating plate. Never connect it to a different mains voltage.
- Protect the battery charger and its cable from damage and sharp edges. Have damaged cables repaired without delay by a qualified electrician.
- This battery charger is not designed to be used by people (including children) with limited physical, sensory or mental capacities or those with no experience and/or knowledge unless they are supervised by a person who is responsible for their safety or they have received instructions from such a person in how to use the equipment safely.
- Children must always be supervised in order to ensure that they do not play with the equipment.
- Do not use damaged battery chargers.
- Do not use the supplied battery charger to charge other cordless tools.
- In heavy use the battery pack will become warm. Allow the battery pack to cool to room temperature before commencing with the charging.
- **Do not over-charge batteries.** Do not exceed the maximum charging times. These charging times only apply to discharged batteries. Frequent insertion of a

charged or partly charged battery pack will result in over-charging and cell damage. Do not leave batteries in the charger for days on end.

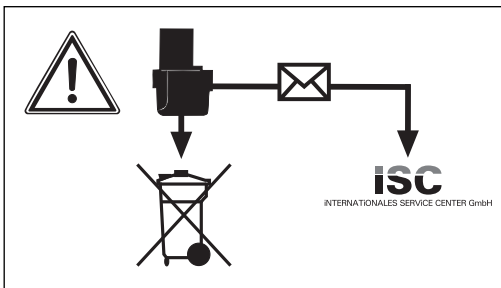
- **Never use or charge batteries if you suspect that the last time they were charged was more than 12 months previously.** There is a high probability that the battery pack has already suffered dangerous damage (exhaustive discharge).
- Charging batteries at a temperature below 10°C will cause chemical damage to the cell and may cause a fire.
- Do not use batteries which have heated during the charging process, as the battery cells may have suffered dangerous damage.
- Do not use batteries which have suffered curvature or deformation during the charging process or which show other non-typical symptoms (gassing, hissing, cracking,...)
- Never fully discharge the battery pack (recommended depth of discharge max. 80%) A complete discharge of the battery pack will lead to premature ageing of the battery cells.
- Never charge the batteries unsupervised.

#### Protection from environmental influences

- Wear suitable work clothes. Wear safety goggles.
- **Protect your cordless tool and the battery charger from moisture and rain.** Moisture and rain can cause dangerous cell damage.
- Do not use the cordless tool or the battery charger near vapors and inflammable liquids.
- Use the battery charger and cordless tools only in dry conditions and an ambient temperature of 10-40°C.
- Do not keep the battery charger in places where the temperature is liable to reach over 40°C. In particular, do not leave the battery charger in a car that is parked in the sunshine.
- **Protect batteries from overheating.** Overloads, over-charging and exposure to direct sunlight will result in overheating and

cell damage. Never charge or work with batteries which have been overheated – replace them immediately if possible.

- **Storage of batteries, battery chargers and cordless tools.** Store the charger and your cordless tool only in dry places with an ambient temperature of 10-40°C. Store your lithium-ion battery pack in a cool, dry place at a temperature of 10-20°C. Protect them from humidity and direct sunlight. Only place fully charged batteries in storage (charged at least 40%).
- Prevent the lithium-ion battery pack from freezing. Battery packs which were stored below 0°C for more than 60 minutes must be disposed of.
- When handling batteries beware of electrostatic charge: Electrostatic discharges cause damage of the electronic protection system and the battery cells. Avoid electrostatic charging and never touch the battery poles.



Rechargeable batteries and cordless electric machines and tools contain materials that are potentially harmful to the environment. Never place any cordless electric machines or tools in your household refuse. When cordless electric machines or tools become defective or worn, remove the rechargeable batteries and return them to iSC GmbH (address: Eschenstrasse 6, D-94405, Germany). If the rechargeable batteries cannot be removed, return the complete cordless machine or tool.

You can then be sure that the equipment will be correctly disposed of by the manufacturer.

**When shipping or disposing of batteries and cordless tools, always ensure that they are packed individually in plastic bags to prevent short circuits and fires.**

**Do not lose this safety information.**

### 3. Layout (Fig. 1)

1. Bit chuck
2. LED lamp
3. Locking button
4. ON/OFF switch for lamp
5. Battery capacity indicator
6. Button for battery capacity indicator
7. Charging control lamp
8. Charging connection
9. ON/OFF switch
10. Clockwise/Counter-clockwise selector switch
11. Battery charger
12. Charging cable
13. Torque selector
14. Locking sleeve

### 4. Items supplied

Take all parts out of the packaging and check that they are complete.

- Cordless Screwdriver PASS 3.6 A1
- Battery charger
- 26 Bits
- Bit holder
- Case
- Operating Instructions

**GB**

## 5. Intended use

The cordless screwdriver is designed for tightening and loosening screws.

The equipment is to be used only for its prescribed purpose. Any other use is deemed to be a case of misuse. The user/operator and not the manufacturer will be liable for any damage or injuries caused as a result thereof.

Please note that our equipment has not been designed for use in commercial, trade or industrial applications. Our warranty will be voided if the equipment is used in commercial, trade or industrial businesses or for equivalent purposes.

## 6. Technical data

Motor power supply:	3.6 V DC
Idling speed:	200 rpm
Clockwise/Counter-clockwise:	Yes
Battery charger output voltage:	6,8 V DC
Battery charger output current:	550 mA
Battery charger supply voltage:	230V ~ 50 Hz
Charging time:	3 hours
Battery type:	Li-Ion/1.5 Ah
Weight:	0.4 kg
LED Class	1

## Sound and vibration

Sound and vibration values were measured in accordance with EN 60745.

Sound pressure level $L_{pA}$	62 dB(A)
Uncertainty $K_{pA}$	3 dB
Sound power level $L_{WA}$	73 dB(A)
Uncertainty $K_{WA}$	3 dB

### Wear ear-muffs.

The impact of noise can cause damage to hearing.

Total vibration values (vector sum of three directions) determined in accordance with EN 60745.

### Screws without hammer action

Vibration emission value  $a_h \leq 2.5 \text{ m/s}^2$

Tolerance  $K = 1.5 \text{ m/s}^2$

### Warning!

The specified vibration value was established in accordance with a standardized testing method. It may change according to how the electric equipment is used and may exceed the specified value in exceptional circumstances.

The specified vibration value can be used to compare the equipment with other electric power tools.

The specified vibration value can be used for initial assessment of a harmful effect.

### Keep the noise emissions and vibrations to a minimum.

- Only use appliances which are in perfect working order.
- Service and clean the appliance regularly.
- Adapt your working style to suit the appliance.
- Do not overload the appliance.
- Have the appliance serviced whenever necessary.
- Switch the appliance off when it is not in use.

- Wear protective gloves.

## 7. Before starting the equipment

### ⚠ Caution:

Be sure to read the following information before you use your cordless screwdriver for the first time:

1. Only charge the battery pack using the charger (11) supplied.
2. Only use screwdriver bits which are in perfect working order and appropriate.
3. When screwing into walls or partitions, test these for electrical, gas or water connections.

## 8. Operation

### 8.1 Charging the battery pack (Fig. 1)

The battery pack is protected from exhaustive discharge. An integrated protective circuit automatically switches off the equipment when the battery pack is flat. In this case the bit chuck (1) will cease to turn.

### ⚠ Caution:

Do not press the ON/OFF switch (9) any more, if the protective circuit has actuated. This may damage the battery pack.

1. Check that your mains voltage is the same as that marked on the rating plate of the battery charger. Plug the battery charger (11) in the plug socket and connect the charging cable (12) to the charging connection (8). The charging process starts as soon as the charging cable is connected to the charging connection.
2. The charging control lamp (7) indicates that the battery is being charged.
3. The charging control lamp (7) goes out when charging is completed.

### ⚠ Caution:

The handle may become a little warm during the charging process. This is normal.

If the battery pack fails to charge, please check

- whether there is voltage at the socket-outlet.
- whether there is good contact at the charging contacts of the battery charger (11).

If the battery still fails to charge, send

- the battery charger (11)
- and the screwdriver

to our customer services department.

Timely recharging of the battery pack will help to prolong its lifespan. You must recharge the battery pack when you notice that the power of the screwdriver drops.

### 8.2 Clockwise/Counter-clockwise changeover switch (Fig. 2/Item 10)

The clockwise/counter-clockwise changeover switch (10) above the ON/OFF switch (9) is for setting the direction of rotation of the cordless screwdriver and for preventing the cordless screwdriver from being switched on inadvertently. You can select between clockwise and counter-clockwise rotation.

### ⚠ Important.

Change the direction of rotation only when the equipment is at a standstill. If you fail to observe this point, the gearing may become damaged. When the clockwise/counter-clockwise changeover switch (10) is in the middle position, the ON/OFF switch (9) is blocked.

Direction	Switch position
Clockwise	"R" pressed
Counter-clockwise	"L" pressed

### 8.3 ON/OFF switch (Fig. 2/Item 9)

Press the ON/OFF switch (9) to switch the cordless screwdriver on. Release the ON/OFF switch to switch off the tool.

### 8.4 LED lamp (Fig. 1/Item 2)

The LED lamp (2) can be used in poor lighting conditions to illuminate the area where you want to screw. To switch ON, press the switch (4) and to switch OFF, press the switch (4) again.

**GB****8.5 Handle adjustment (Fig. 1.2/Item 3)**

The screwdriver can be locked into 2 different angle settings. To do so, press the locking button (3) and move the screwdriver into the desired position. Then release the locking button (3).

**⚠ Caution:**

Before you switch on the screwdriver, make sure that it is correctly locked in the required angle position.

**8.6 Battery capacity indicator (Fig. 4/Item. 5)**

Press the button for the battery capacity indicator (6). The battery capacity indicator (5) indicates the charge state of the battery on 3 coloured LEDs.

**All LEDs are lit:**

The battery is fully charged.

**The yellow and red LED illuminate:**

The battery has an adequate remaining charge.

**Red LED:**

The battery is discharged, it requires charging.

**8.7 Changing the tool (Fig. 5)****⚠ Important.**

Set the clockwise/counter-clockwise changeover switch (10) to its centre position whenever you carry out any work (for example changing the tool, maintenance work, etc.) on the cordless screwdriver.

- Pull back and hold the locking sleeve (14).
- Insert the bit (a) into the bit chuck (1) and let go of the locking sleeve (14)
- Check that it is properly secure by pulling the tool.
- For removal of bits (a), pull back the locking sleeve (14) and hold it firmly.
- Remove the bit (a) and let go of the locking sleeve.

**8.8 Torque Setting (Fig. 1/Item 13)****⚠ Caution:**

Only adjust the torque when the appliance is at a standstill.

The cordless screwdriver is fitted with a mechanical torque selector.

The torque for each particular screw size is adjustable at the torque selector (13). The required torque is dependent upon several factors:

- the type and hardness of the material to be worked with.
- the type and length of the screws used.
- the physical burden placed on the screw connection.

When the torque is reached, this is indicated by the clutch being released.

**8.9 Screws**

It is advisable to use self-centering screws (e.g. Torx, Philips head screws) as these will enable you to work safely and reliably. Always make sure that the bit used is of the same size and shape as the screw.

**8.10 Screwdriver overloaded**

If the screwdriver is overloaded, the automatic safety switch turns the device off. After a few seconds the screwdriver can be used again.

## 9. Cleaning, maintenance and ordering of spare parts

### ⚠ Caution:

Always pull out the mains power plug before starting any cleaning work.

### 9.1 Cleaning

- Keep all safety devices, air vents and the motor housing free of dirt and dust as far as possible. Wipe the appliance with a clean cloth or blast it with compressed air at low pressure.
- We recommend cleaning the appliance immediately after every use.
- Clean the appliance regularly with a damp cloth and some soft soap. Do not use cleaning agents or solvents; these may be aggressive to the plastic parts in the appliance. Ensure that no water can get into the interior of the tool.

### 9.2 Maintenance

There are no other parts inside the equipment which require additional maintenance.

### 9.3 Ordering replacement parts:

Please provide the following information on all orders for spare parts:

- Model/type of the equipment
- Article number of the equipment
- ID number of the appliance

For our latest prices and information please go to [www.isc-gmbh.info](http://www.isc-gmbh.info)

## 10. Disposal and recycling

The equipment is supplied in packaging to prevent it from being damaged in transit. The raw materials in this packaging can be reused or recycled. The appliance and its accessories are made of various types of material, such as metal and plastic. Defective components must be disposed of as special waste. Ask your dealer or your local council.



For EU countries only

Never place any electric tools in your household refuse.

To comply with European Directive 2002/96/EC concerning old electric and electronic equipment and its implementation in national laws, old electric tools have to be separated from other waste and be disposed of in an environment-friendly fashion, e.g. by taking to a recycling depot.

Recycling alternative to returning the electrical equipment:

The owner of the electrical equipment is obligated to arrange for its proper disposal if he no longer wants to keep the equipment in his possession and does not want to return it. In this case the old equipment can be taken to a recycling depot where it is disposed of in accordance with national recycling and waste disposal laws. This does not apply to accessory parts and aids which supplement the old equipment and contain no electrical parts.

GB

## 11. Declaration of conformity

Einhell Germany AG · Wiesenweg 22 · D-94405 Landau/Isar



## Konformitätserklärung

- erklärt folgende Konformität gemäß EU-Richtlinie und Normen für Artikel  
 explains the following conformity according to EU directives and norms for the following product  
 déclare la conformité suivante selon la directive CE et les normes concernant l'article  
 dichiara la seguente conformità secondo la direttiva UE e le norme per l'articolo  
 verklaart de volgende overeenstemming conform EU richtlijn en normen voor het product  
 declara la siguiente conformidad a tenor de la directiva y normas de la UE para el artículo  
 declara a seguinte conformidade, de acordo com a directiva CE e normas para o artigo  
 attesterer følgende overensstemmelse i medfør af EU-direktiv samt standarder for artikel  
 förklarar följande överensstämmelse enl. EU-direktiv och standarder för artikeln  
 vakuuttaa, että tuote täyttää EU-direktiivin ja standardien vaatimukset  
 tõendab toote vastavust EL direktiivile ja standarditele  
 vydává následující prohlášení o shodě podle směrnice EU a norem pro výrobek  
 potrjuje sledeću skladnost s smernico EU in standardi za izdelek  
 vydáva nasledujúce prehlásenie o zhode podľa smernice EÚ a noriem pre výrobok  
 a cikkekhez az EU-irányvonal és Normák szerint a következő konformitást jelenti ki  
 deklaruje zgodność wymienionego poniżej artykułu z następującymi normami na podstawie dyrektywy WE.  
 декларира съответното съответствие съгласно Директива на ЕС и норми за артикул  
 paskaidro šādu atbilstību ES direktīvai un standartiem  
 arībūdina šj atitikimą EU reikalavimams ir prekės normoms  
 declară următoarea conformitate conform directivei UE și normelor pentru articolul  
 δηλώνει την ακόλουθη συμμόρφωση σύμφωνα με την Οδηγία ΕΚ και τα πρότυπα για το προϊόν  
 potvrđuje sljedeću usklađenost prema smjernicama EU i normama za artikl  
 Izjava o sukladnosti za ovaj proizvod dostupna je na internet stranici www.lidl.hr.  
 potvrđuje sljedeću usklađenost prema smjernicama EU i normama za artikl  
 potvrđuje sledeću usklađenost prema smernicama EZ i normama za artikal  
 следующим удостоверяется, что следующие продукты соответствуют директивам и нормам ЕС  
 проголошує про зазначену нижче відповідність виробу директивам та стандартам ЄС на виріб  
 Ürünü ile ilgili AB direktifleri ve normları gereğince aşağıda açıklanan uygunluğu belirtir  
 erklærer følgende samsvar i henhold til EU-direktivet og standarder for artikkel  
 Lýsir uppfyllingu EU-reglna og annarra staða vöru

## Akkuschrauber PASS 3,6 A1 / Ladegerät LG PASS 3,6 A1 (Parkside)

- |   |   |
|---|---|
| <input type="checkbox"/> 87/404/EC_2009/105/EC  | <input checked="" type="checkbox"/> 2006/42/EC  |
| <input type="checkbox"/> 2005/32/EC_2009/125/EC | <input type="checkbox"/> Annex IV<br>Notified Body:<br>Notified Body No.:<br>Reg. No.:  |
| <input type="checkbox"/> 2006/95/EC             |   |
| <input type="checkbox"/> 2006/28/EC             |   |
| <input checked="" type="checkbox"/> 2004/108/EC | <input type="checkbox"/> 2000/14/EC_2005/88/EC  |
| <input type="checkbox"/> 2004/22/EC             | <input type="checkbox"/> Annex V  |
| <input type="checkbox"/> 1999/5/EC              | <input type="checkbox"/> Annex VI<br>Noise: measured $L_{WA}$ = dB (A); guaranteed $L_{WA}$ = dB (A)<br>P = KW; LØ = cm<br>Notified Body: |
| <input type="checkbox"/> 97/23/EC               |   |
| <input type="checkbox"/> 90/396/EC_2009/142/EC  |   |
| <input type="checkbox"/> 89/686/EC_96/58/EC     | <input type="checkbox"/> 2004/26/EC<br>Emission No.:  |
| <input checked="" type="checkbox"/> 2011/65/EC  |   |

Standard references: EN 60745-1; EN 60745-2-2; EN 55014-1;  
EN 55014-2; EN 60335-1; EN 60335-2-29; EN 61000-3-2; EN 61000-3-3

Landau/Isar, den 22.09.2011

  
Weichselgartner/General Manager


  
Unger/Product-Management

First CE: 08  
Art.-No.: 45.134.24 I.-No.: 11031  
Subject to change without notice

Archive-File/Record: NAPR004730  
Documents registrar: Georg Riedel  
Wiesenweg 22, D-94405 Landau/Isar



# 12. GUARANTEE CERTIFICATE

## Dear Customer,

All of our products undergo strict quality checks to ensure that they reach you in perfect condition. In the unlikely event that your device develops a fault, please contact our service department at the address shown on this guarantee card. Of course, if you would prefer to call us then we are also happy to offer our assistance under the service number printed below. Please note the following terms under which guarantee claims can be made:

1. These guarantee terms cover additional guarantee rights and do not affect your statutory warranty rights. We do not charge you for this guarantee.
2. Our guarantee only covers problems caused by material or manufacturing defects, and it is restricted to the rectification of these defects or replacement of the device. Please note that our devices have not been designed for use in commercial, trade or industrial applications. Consequently, the guarantee is invalidated if the equipment is used in commercial, trade or industrial applications or for other equivalent activities. The following are also excluded from our guarantee: compensation for transport damage, damage caused by failure to comply with the installation/assembly instructions or damage caused by unprofessional installation, failure to comply with the operating instructions (e.g. connection to the wrong mains voltage or current type), misuse or inappropriate use (such as overloading of the device or use of non-approved tools or accessories), failure to comply with the maintenance and safety regulations, ingress of foreign bodies into the device (e.g. sand, stones or dust), effects of force or external influences (e.g. damage caused by the device being dropped) and normal wear resulting from proper operation of the device. This applies in particular to rechargeable batteries for which we nevertheless issue a guarantee period of 12 months.  
  
The guarantee is rendered null and void if any attempt is made to tamper with the device.
3. The guarantee is valid for a period of 3 years starting from the purchase date of the device. Guarantee claims should be submitted before the end of the guarantee period within two weeks of the defect being noticed. No guarantee claims will be accepted after the end of the guarantee period. The original guarantee period remains applicable to the device even if repairs are carried out or parts are replaced. In such cases, the work performed or parts fitted will not result in an extension of the guarantee period, and no new guarantee will become active for the work performed or parts fitted. This also applies when an on-site service is used.
4. In order to assert your guarantee claim, please send your defective device postage-free to the address shown below. Please enclose either the original or a copy of your sales receipt or another dated proof of purchase. Please keep your sales receipt in a safe place, as it is your proof of purchase. It would help us if you could describe the nature of the problem in as much detail as possible. If the defect is covered by our guarantee then your device will either be repaired immediately and returned to you, or we will send you a new device.

Of course, we are also happy offer a chargeable repair service for any defects which are not covered by the scope of this guarantee or for units which are no longer covered. To take advantage of this service, please send the device to our service address.

**HU****Tartalomjegyzék:****Oldal**

1. Bevezetés .....	20
2. Biztonsági utasítások .....	20-24
3. A készülék leírása .....	25
4. A szállítás terjedelme .....	25
5. Rendeltetésszerűi használat .....	25
6. Technikai adatok.....	25-26
7. Beüzemeltetés előtt .....	26
8. Kezelés .....	26-28
9. Tisztítás, karbantartás és pótalkatrészmegrendelés .....	28
10. Megsemmisítés és újrahasznosítás .....	28
11. Konformitás kijelentés .....	29
12. Garanciaokmány .....	30

A termékek dokumentációjának és a kísérőpapírjainak az utánnyomtatása vagy egyéb sokszorosítása, kivonatossan is csak az ISC GmbH kihangsúlyozott beleegyezésével engedélyezett.

18

Technikai változtatások jogát fenntartva



„FIGYELMEZTETÉS – Sérülés veszélyének a lecsökkentéséhez olvassa el a használati utasítást”

**HU**

## 1. Bevezetés

### ⚠ Figyelem!

A készülékek használatánál be kell tartani egy pár biztonsági intézkedéseket, azért hogy sérüléseket és károkat megakadályozzon. Olvassa ezért ezt a használati utasítást alaposan át. Őrizze jól meg, azért hogy mindenkor rendelkezésére álljon az információk. Ha átadná más személyeknek a készüléket, akkor kézbesítseki vele ezt a használati utasítást is.

Nem vállalunk felelőséget olyan balesetekért és károkért, amelyek ennek az utasításnak és a biztonsági utasításoknak a figyelmen hagyása által keletkeznek.

## 2. Biztonsági utasítások

### Általános biztonsági utasítások elektromos szerszámokhoz

#### ⚠ FIGYELMEZTETÉS!

#### **Olvason minden biztonsági utalást és utasítást el.**

A biztonsági utalások és utasítások betartásán belüli mulasztások következménye áramcsapás, tűz és/vagy nehéz sérülések lehetnek.

#### **Őrizze meg a biztonsági utalásokat és utasításokat a jövőre nézve.**

A biztonsági utasításban használt kifejezés „elektromos szerszám“ a hálózaton keresztül üzemeltetett elektromos szerszámokra (hálózati kábellel) és az akku által üzemeltetett elektromos szerszámokra (hálózati kábel nélkül) vonatkozik.

### 1. Munkahelybiztonság

- **Tartsa a munkakörét tisztán és jól megvilágítottan.** Rendetlenség vagy nem megvilágított munkakörök baleseteket idézhetnek elő.
- **Ne dolgozon ezzel a készülékkel robbanásveszélyeztetett környezetben, amelyben gyullékony folyadékok, gázok vagy porok találhatóak.** Elektromos

szerszámok szikrákat idéznek elő, amelyek meg tudják gyújtani a port vagy a párákat.

- **Tartson az elektromos szerszám használata alatt gyerekeket valamint más személyeket távol.**

A figyelme elterelésénél elveszithet a készülék feletti uralmat.

### 2. ELEKTROMOS BIZTONSÁG

- **A készülék csatlakozási dugójának bele kell passzolnia a dugaszoló aljzatba.**

A dugót nem szabad semmilyen féle módon megváltoztatni. Ne használjon adapterdugókat a védőföldelt készülékekkel együtt. A nem megváltoztatott dugók és a megfelelő dugaszoló aljzatok lecsökkentik az áramcsapás rizikóját.

- **Kerülje el a földelt felületekkel való testi érintkezést, mint például csövekkel, fűtőtestekkel, tűzhelyekkel, hűtőszekrényekkel.**

Magasabb az áramcsapás veszélye, ha földelt az Ön teste.

- **Tartsa a készüléket esőtől és nedveségtől távol.**

A víz elektromos készülékbe való behatolása megnöveli az áramcsapás veszélyét.

- **Ne használja fel más célokra a kábelt, mint például a készülék hordására, felakasztására vagy a dugó kihúzására a dugaszoló aljzatból.**

Tartsa a kábelt hőségtől, olajtól és éles szélektől vagy a mozgó készülékrészekről távol. A megsérült vagy összezsavarodott kábel megnöveli egy áramcsapás veszélyét.

- **Ha az elektromos szerszámmal a szabadban dolgozna, akkor csak olyan hosszabbító kábelt használjon, amely kinti területre engedélyezett.**

A kinti területre engedélyezett hosszabbítókábelnek a használata lecsökkenti az áramcsapás rizikóját.

- **Ha nem lehet elkerülni az elektromos szerszámnak a nedves környezetben belüli használatát, akkor használjon egy hibaáramvédőkapcsolót.**

A hibaáramvédőkapcsoló használata lecsökkenti az áramcsapás rizikóját.

### 3. SZEMÉLYEK BIZTONSÁGA

- **Legyen figyelmes, ügyeljen arra amit csinál és fogjon elektromos szerszámmal mindig okosan a munkához. Ne használja a készüléket ha fáradt vagy pedig ha kábítószerek, alkohol vagy orvosságok befolyása alatt áll.**

Az elektromos szerszám használatánál egy pillanat figyelmetlenség komoly sérülésekhez vezethet.

- **Viseljen egy személyi védőfelszerelést és mindig egy védőszemüveget.**  
A személyi védőfelszerelés hordása, mint például porvédő álarc, tapadós biztonsági lábbeli, védősisak vagy zajcsökkentő fülvédő, az elektromos szerszám fajtájától és felhasználásától függően, lecsökkenti a sérülések rizikóját.
- **Kerülje el az akaratlan üzembhelyezést. Győződjön meg arról, hogy ki van kapcsolva az elektromos szerszám, mielőtt rákapcsolná az áramellátásra és/vagy az akkura, mielőtt felvinné vagy hordaná.**  
Bizonyosodjon meg arról, hogy a kapcsoló a „KI” pozícióban van mielőtt bedugná a dugót a dugaszoló aljzatba. Ha a készülék hordásánál az ujjá a kapcsolón van vagy ha a készüléket bekapcsolt állapotban rákapcsolná az áramellátásra, akkor ez balesetekhez vezethet.
- **Távolítson minden beállítószerszámot vagy csavarkulcsot el mielőtt bekapcsolná a készüléket.**  
A forgó készülékrészben levő szerszám vagy kulcs, sérülésekhez vezethet.
- **Kerüljön el egy abnormális testtartást Gondoskodjon biztos állásról és tartsa mindenkor az egyensúlyt.**  
Ezáltal a készüléket váratlan szituációkban jobban tudja kontrollálni.
- **Viseljen megfelelő munkaruhát. Ne viseljen bő ruhát vagy ékszert.**  
Tarsa a haját, ruháját és a kasztyúkat távol a mozgó részekről. A laza ruházatot, ékszert vagy a hosszú haját elkapathatják a

mozgó részek.

- **Ha fel lehet szerelni porelszívó berendezéseket valamint porfelfogó berendezéseket, akkor bizonyosodjon meg arról, hogy ezek rá vannak kapcsolva és helyesen használva vannak.**  
Egy porelszívó használata lecsökkentheti a por általi veszélyeztetéseket.
- ### 4. Az elektromos szerszám használata és kezelése
- **Ne terhelje túl a szerszámát. Használja a munkájához az arra meghatározott elektromos készüléket.**  
Jobban és biztonságosabban dolgozik a megadott teljesítményi körben a megfelelő elektromos szerszámmal.
  - **Ne használjon olyan elektromos szerszámot, ahol defektes a kapcsoló.**  
Egy olyan elektromos szerszám, amelyet nem lehet többé be- vagy kikapcsolni, az veszélyes és meg kell javítani.
  - **Mielőtt a készüléken beállításokat végezne el, kicserélné a tartozékokat vagy félretenné a készüléket, húzza ki a dugót a dugaszoló aljzatból és/vagy távolítsa el az akkut.**  
Tartozékrészeket cserélne vagy pedig félretenné a készüléket. Ezek az óvintézkedések megakadályozzák a készülék akaratlan indítását.
  - **Tárolja a nem használt elektromos szerszámokat a gyerekek részére nem elérhető helyen.**  
Ne engedje olyan személyeknek a készüléket használni, akik nem jártassak ezzel a készülékkel, vagy akik nem olvasták el ezeket az utasításokat. Elektromos szerszámok veszélyesek, ha tapasztalatlan személyek használják őket.
  - **Ápolja gondosan a készülékét. Kontrollálja le, hogy a mozgatható részek kifogástalanul működnek-e és nem szorulnak-e, hogy töröttek-e vagy annyira sérültek-e a részei, hogy csökkentenék a készülék működését.**  
Hagyja megjavíttatni a károsult részeket mielőtt használná a készüléket. Sok balesetnek az oka a rosszul karbantartott

**HU**

elektromos szerszám.

- **Tartsa a vágószerszámait élesen és tisztán.** A gondosan ápoltt vágószerszámok éles vágóélekkel kevésbé szorulnak be és könnyebben lehet őket vezetni.
- **Az elektromos szerszámot, tartozékkénti betéti tartozékokat stb., ezeknek az utasításoknak megfelelően használni. Vegye ennél a munkafeltételeket és az elvégezendő tevékenységet figyelembe.** Vegye ennél a munkafeltételeket és az elvégezendő tevékenységet figyelembe. Az elektromos szerszámoknak az előrelátott használatuktól eltérően való felhasználata, veszélyes helyzetekhez vezethetnek.

##### 5. Az elektromos szerszám használata és kezelése

- **Az akkukat csak a gyártó által ajánlott akkutöltő készülékekben feltölteni.** Egy bizonyos fajta akkura alkalmas akkutöltő készüléknél, tűzveszély áll fenn, ha más fajta akkukkal van használva.
- **Az elektromos szerszámokban csak az arra előrelátott akkukat használni.** Más akkuk használata sérülésekhez és tűzveszélyhez vezethet.
- Tartsa távol a nem használt akkukat iratkapocstól, pénztől, kulcsoktól, szögektől, csavaroktól vagy más kicsi fémtárgyaktól, amelyek a kontaktusok áthidalását idézhetik elő. Az akkukontaktusok közötti rövidzárlat következménye megegetés vagy tűz lehet.
- **Rossz használat esetén folyadék léphet ki az akkuból. Kerülje el vele az érintkezést. Véletlen érintkezés esetén vízzel leöblíteni. Ha a folyadék a szembe kerülne, akkor vegyen még kiegészítően orvosi segítséget igénybe.** Kilépő akkufolyadék bőrirritációhoz vagy megegetéshez vezethet.

##### 6. SZERVÍZ

- **Hagyja a készülékét csakis a kvalifikált szakszemélyzet által és csak originális-pótalkatrészekkel megjavítani.** Azáltal biztosítva lesz, hogy továbbra is fennáll a készülék biztonsága.

**Ha olyan munkákat végez el, amelyeknél a csavar vagy a betéti szerszám rejtett áramvezetékeket találhatna el, akkor a készüléket az izolált fogantyúfelületeknél fogva tartani.** A feszültségeket vezető vezetékkel való kontaktus a fémtartalmú készülékrészeket is feszültség alá teheti és áramütéshez vezethet.

##### Speciális biztonsági utasítások

Nagy gondot vetünk minden akkucsomag felépítésére, azért hogy a maximális energiasűrűséggel, hosszúéletűséggel és biztonsággal tudjuk Önnek továbbadni. Az akkucellák egy többfokozatú biztonsági berendezéssel rendelkeznek. Minden egyes cella először formátírozva lesz és fel lesznek véve az elektromos jelleggörbéjei. Ezek az adatok utánna fel lesznek használva a lehető legjobb akkucsomagok csoportosítására. **Minden biztonsági intézkedés ellenére az akkukkal való bánásnál mindig megfontoltan kell eljárni. A biztos üzemhez a következő pontokat kell figyelembe venni.**

**Egy biztos üzem csak sértetlen cellákkal van megadva. Rossz kezelés a cellakárokhoz vezet.**

**Figyelem!** Analízisek tanúsították, hogy durva hamishasználat és nem megfelelő ápolás a nagy teljesítményű akkuk általi károk fő oka.

##### Utasítások az akkuhoz

- Az akkukészülék akku-csomagja a szállítási állapotban nincs feltöltve. Ezért az első beüzemeltetés előtt fel kell tölteni az akkut.
- Egy optimális akkuteljesítmény érdekében kerülje el a mélykimerülési ciklusokat! Az akkuját sűrűn tölteni.
- Az akkuját hidegen tárolni, legjobban 15°C-nál és legalább 40%-ra feltöltve.
- Lithium-Ion akku természetes öregedés alá

vannak veteve. Az akkut legkésőbb akkor kell kicserélni, ha az akku teljesítőképessége már csak az újállapot 80%-nak felel meg! Egy megöregedett akku-csomagban a legyöngült cellák nem győzik a nagy teljesítménykövetelményeket és így egy biztonsági rizikót jelentenek.

- Ne dobja az elhasznált akkukat nyílt tűzbe. Robbanásveszély!
- Ne gyűjtsa meg vagy tegye ki az akkut megégetésnek.
- **Ne hagyja az akkukat mélyen kimerülni!** Egy mélykimerülés károsítja az akkucellákat. Az akkucsomagok mélykimerülésének a legtöbbszöri oka a hosszú idejű tárolás ill. a részben kimerült akkuk nemhasználata. Hagyja azonnal abba a munkafolyamatot ha a teljesítmény észrevehetően alábbhagy vagy ha beugrik a védőelektronika. Az akkut csak teljes feltöltés után tárolni.
- **Óvja az akkukat ill. a készüléket a túlterhelés elől!** Túlterhelés az akkugépház belsejében gyorsan túlhevüléshez és a cellák sérüléséhez vezet, anélkül hogy a túlhevülés látszólagosan fellépne.
- **Megrongálódásokat és ütések elkerülni!** Akkukat, amelyek több mint egy méter magasságról leestek vagy erős ütéseknek lettek kitéve azonnal kicserélni, akkor is ha az akkucsomag gépháza sérületlennek néz ki. A belsejében levő akkucellák komolyan megsérülhetnek. Vegye ehhez a megsemmisítési utasításokat is figyelembe.
- Túlterhelésnél és túlhevülésnél az integrált védőlekapcsoló biztonsági okokból lekapcsolja a készüléket. **Figyelem!** Ne üzemeltesse többet a be-/kikapcsolót, ha a védőlekapcsoló lekapcsolta a gépet. Ez az akkun károkhoz vezethet.
- Csak originális akkukat használni. Más akkuk használata sérülésekhez, robbanásokhoz és tűzveszélyhez vezethet.

### Utasítások a töltőkészülékhez és a töltési folyamathoz

- Ne használja fel a vele szállított töltőkészüléket nem újratölthető elemek töltésére.
- Vegye figyelembe a töltőkészülék típus tábláján megadott adatokat. A töltőkészüléket csak a típus táblán megadott hálózati feszültségre csatlakoztatni.
- Óvja a töltőkészüléket és a vezetékét sérülések és éles szélek elől. Megrongálódott kábeleket azonnal ki kell cseréltetni egy villamossági szakember által.
- A töltőkészülék nem lett olyan személyek általi (gyerekeket is beleértve) használatra meghatározva, akik csak egy korlátozott testi, érzéki vagy szellemi képességgel rendelkeznek vagy nem rendelkeznek elegendő tapasztalattal és/vagy tudással, kivéve, ha egy a biztonságukért felelős személy által felügyelve vannak, vagy ha utasításokat kaptak tőle, hogy hogyan kell a készüléket használni.
- Gyerekeket felül kellene ügyelni, azért hogy biztosítva legyen, hogy nem játszanak a készüléken.
- Ne használjon károsult töltőkészülékeket.
- Ne használja fel a vele szállított töltőkészüléket más akkukészülékek töltésére.
- Erős igénybevételnél felmelegszik az akku-csomag. A töltésfolyamat előtt hagyni az akku-csomagot szobahőmérsékletre lehűlni.
- **Ne töltse túl az akkukat!** Vegye figyelembe a maximális töltési időket. A töltési idők csak kimerült akkukra érvényesek. Egy feltöltött vagy részben feltöltött akkunak a többszörös bedugása túltöltéshez és cellakárosodáshoz vezet. Ne hagyja az akkukat több napig a töltőkészülékben dugva.
- **Ne használjon és ne töltsön sohasem olyan akkukat amelyekről gyanítsa, hogy az utolsó feltöltés már több mint 12 hónapra hátravan.** Nagy a valószínűség, hogy az akku már veszélyesen meg van sérülve (mélykimerülés).

**HU**

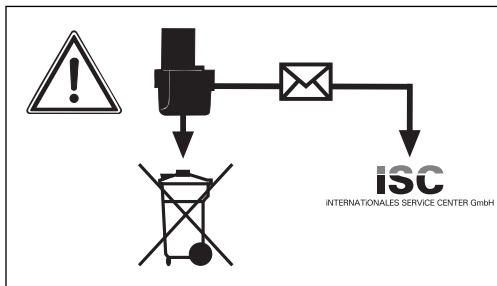
- 10°C alatti hőmérsékletnél történő töltés a cella kémiai megrongálódásához vezet és tüzet okozhat.
- Ne használjon olyan akkukat, amelyek a töltés ideje alatt felmelegedtek, mivel veszélyesen sérültek lehetnek az akkucellák.
- Ne használjon olyan akkukat többé, amelyek a töltés ideje alatt kidomborodtak vagy deformálódtak, vagy szokatlan szimptomokat mutatnának fel (kigázosodás, sísteregnek, ropogtatnak, stb.).
- Ne merítse teljesen ki az akkut (ajánlott max. kimerítés 80%). Teljes kimerítés az akkucellák időelőtti öregedéséhez vezet.
- Ne töltse az elemeket sohasem felügyelet nélkül!

### Védelem a környezetbefolyások elől

- Viseljen megfelelő munkaruhát. Védőszemüveget hordani.
- **Óvja az akkukészülékét és a töltőkészülékét nedvesség és eső elől.** Nedvesség és eső veszélyes cellamegrongálódáshoz vezethet.
- Ne használja az akkukészülékét és a töltőkészülékét párák és gyullékony folyadékok közelében.
- A töltőkészülékét és az akkukészülékét csak száraz állapotban és 10-től – 40°C-ig terjedő környezetben használni.
- Ne tárolja az akkukat olyan helyeken, ahol 40°C fölötti hőmérsékletek léphetnek el, főleg ne a napon parkolt gépkocsiban.
- **Védni az akkukat túlhevülés elől!** Túlterhelés, túltöltés vagy a napbesütés túlhevüléshez és a cellák megrongálódásához vezetnek. Ne töltsön vagy dolgozzon olyan akkukkal, amelyek túl lettek hevítve – ezeket okvetlenül azonnal kicserélni.
- **Akkuk, töltőkészülékek és akkukészülékek tárolása.** A töltőkészülékét és az akkukészülékét csak száraz termekben 10-40°C fokig terjedő környezeti hőmérsékletnél tárolni. A lithium-ion akkut hidegen és 10-20°C-nál szárazon tárolni. Óvni nedvesség és direkti napbesugárzás elől. Az akkukat csak feltöltött állapotban tárolni (legalább 40%-ra

feltöltve).

- Akadályozza meg, hogy az Lithium-ion akku megfagyon. Meg kell semmisíteni olyan akkukat, amelyek 60 percnél tovább 0° alatt lettek tárolva.
- Vigyázat az akkukkal való bánásnál az elektromos töltéssel kapcsolatosan: elektrosztatikus kisülések károkhoz vezetnek a védőelektronikán és az akkucellákon! Ezért elkerülni az elektrosztatikus feltöltődések és ne érintse sohasem meg az akku-pólusokat!



Akkumulátorok és akkuk által meghajtott elektromos készülékek a környezetre veszélyeztető anyagokat tartalmaznak. Ne adja az akku-készülékeket a háztartási hulladékok közé. A készülékek defektusa vagy elhasználódása után kivenni az akkut és az iSC GmbH, Eschenstraße 6 in D-94405 Landau címre beküldeni, vagy ha szétválaszthatatlanul össze van csatolva, akkor az egész akku-készülékét beküldeni. Csak ott lesz a gyártó által garantálva a szakszerű megsemmisítés.

**Az akkuk ill. akkukészülékek póstázásánál vagy megsemmisítésélni figyelembe venni, hogy rövidzárlat vagy tűz elkerüléséhez ezek egyenként legyenek műanyagtasakokban becsomagolva!**

**Őrizze jól meg ezeket a biztonsági utasításokat.**



### 3. A készülék leírása (1-es kép)

1. Bit-befogadó
2. LED-fény
3. Bereteszelőtaszter
4. Be-/ki- kapcsoló lámpa
5. Akku- kapacitásjelző
6. Akku- kapacitásjelző taszter
7. Töltésellenőrző lámpa
8. Töltőcsatlakozás
9. Be-/ki- kapcsoló
10. Átkapcsoló bal-/jobb futás
11. Töltőkészülék
12. Töltőkábel
13. Forgatónyomatékbeállítás
14. Záróhüvely

### 4. A szállítás terjedelme

Vegyen ki minden részt a csomagolásból és ellenőrizze őket le teljességre.

- Akkucsavarozó PASS 3.6 A1
- Töltőkészülék
- 26 Bit
- Bittartó
- Koffer
- Használati utasítás

### 5. Rendeltetésszerű használat

Az akkucsavarozó a csavarok becsavarására és kiengedésére alkalmas.

A gépet csak rendeltetése szerint szabad használni. Ezt túlhaladó bármilyen használat, nem számít rendeltetésszerűnek. Ebből adódó bármilyen kárért vagy bármilyen fajta sérülésért a használó ill. a kezelő felelős és nem a gyártó.

Kérjük vegye figyelembe, hogy a készülékeink rendeltetésük szerint nem az ipari, kézműipari vagy gyári használatra lettek konstruálva. Nem vállalunk szavatosságot, ha a készülék ipari, kézműipari vagy gyári üzemek területén valamint egyenértékű tevékenységek területén van használva.

### 6. Technikai adatok

A motor feszültségellátása:	3,6 V d.c.
Üresjáratú-fordulatszám:	200 perc <sup>-1</sup>
Jobbra - balra futás:	igen
Akkumulátortöltő készülék kimenő feszültség:	6,8 V d.c.
Akkumulátortöltő készülék kimenő áram:	550 mA
Az akkumulátortöltő hálózati feszültsége:	230V~ 50 Hz
Töltési idő:	3 óra
Akkutípus:	Li-Ion/1,5 Ah
Tömeg:	0,4 kg
LED osztály	1

### Zaj és vibrálás

A zaj és a vibrálási értékek az EN 60745 szerint lettek mérve.

Hangnyomásmérték L <sub>pA</sub>	62 dB(A)
Bizonytalanság K <sub>pA</sub>	3 dB
Hangteljesítménymérték L <sub>WA</sub> :	73 dB(A)
Bizonytalanság K <sub>WA</sub>	3 dB

#### Hordjon egy zajcsökkentő fülvédőt.

A zaj befolyása hallásvesztességhez vezethet.

A rezgésösszértékek (három irány vektorösszege) az EN 60745 szerint lettek meghatározva.

#### Csavarni ütés nélkül

Rezgés kibocsátóérték  $a_h \leq 2,5 \text{ m/s}^2$

Bizonytalanság  $K = 1,5 \text{ m/s}^2$

#### Figyelmeztetés!

A megadott rezgés emisszióérték egy szabványosított ellenőrzési folyamat szerint lett mérve és az elektromos szerszám használatának a fajtájától és módjától függően, megváltozhat és kivételes esetekben a megadott érték felett lehet.

**HU**

A megadott rezgésemisszióértéket fel lehet használni az elektromosszámok egymással való összehasonlításához.

A megadott rezgésemisszióértéket a befolyásolás bevezető felbecsülésére is fel lehet használni.

### **Csökkentse le a zajkibocsátást és a vibrálást egy minimumra!**

- Csak kifogástalan készülékeket használni.
- A készüléket rendszeresen karbantartani és megtisztítani.
- Illessze a munkamódját a készülékhez.
- Ne terhelje túl a készüléket.
- Hagyja adott esetben leellenőrizni a készüléket.
- Kapcsolja ki a készüléket, ha nem használja.
- Hordjon kesztyűket.

## **7. Beüzemeltetés előtt**

### **⚠ Figyelem!**

Az akku fúrócsavarozó beüzemeltetése előtt okvetlenül elolvasni ezeket az utasításokat:

1. Töltse fel az akkut a mellékelt akkumulátortöltő készülékkel (11).
2. Csak kifogástalan és megfelelő csavaróbitteket használni.
3. Falakba és falazatokba történő csavarásoknál ellenőrizze azokat le rejtett áram-, gáz- és vízvezetésekre.

## **8. Kezelés**

### **8.1 Az akku feltöltése (1-es ábra)**

Az akku a mélylemerülés elől védve van. Egy integrált védőkapcsoló automatikusan kikapcsolja a készüléket, ha kimerült az akku. Ebben az esetben nem fog tovább a Bit-befogadó (1).

### **⚠ Figyelem!**

Ne üzemeltesse többet a be-/kikapcsolót (9), ha a védőkapcsoló lekapcsolta a gépet. Ez az akkun károkhoz vezethet.

1. Hasonlítsa össze a típustáblán megadott hálózati feszültséget, megegyezik-e a fennálló hálózati feszültséggel. Dugja a töltőkészüléket (11) a dugaszoló aljzatba és csatlakoztassa össze a töltőkábelt (12) a töltőcsatlakozással (8). Miután a töltőkábelt a töltőcsatlakozással összecsatlakoztatta azonnal megindul a töltési folyamat.
2. A töltéskontrollámpa (7) jelzi, hogy az akku töltődik.
3. A töltés befejezése után kialszik a töltésellenőrző lámpa (7).

### **⚠ Figyelem!**

A töltési folyamat alatt a fogantyú valamennyire felmelegedhet, de ez normális.

Ha az akkuk töltése nem lehetséges, akkor kérjük vizsgálja meg,

- hogy a hálózati aljzatban van-e hálózati feszültség
- hogy a töltőkészülék (11) töltőkontaktusain kifogástalan-e a kontaktus.

Ha az akku töltése még mindig nem lehetséges, akkor kérjük,

- a töltőkészüléket (11)
- és a csavarozót

a vevőszolgáltatásunkhoz beküldeni.

Az akku hosszú élettartamának az érdekében gondoskodnia kellene az akku időbeni újboli feltöltéséről. Ez minden esetben akkor szükséges, ha megállapítaná, hogy az akkucsavarozó teljesítménye alábbhagy.

### **8.2 Jobb-/balmenet-átkapcsoló (2-es kép/poz. 10)**

A be-/ki-kapcsoló (9) feletti bal-/jobbmenet átkapcsolóval (10) lehet az akku-csavarozó forgási irányát beállítani és az akku-csavarozót akaratlan bekapcsolás ellen biztosítani. Bal- és jobbmenet között lehet választani.

### **⚠ Figyelem!**

A hajtómű megsérülésének az elekerüléséért, a forgásirányt csak nyugalmi állapotban kellene átkapcsolni. Ha a bal-/jobbmenet átkapcsoló (10) középhezletben található, akkor blokkolva van a be-/ki-kapcsoló (9).

**Forgásirány**

Jobbforás  
Balfutás

**Kapcsolóhelyzet**

„R” benyomva  
„L” benyomva

**8.3 Be/ki-kapcsoló (2-es kép/poz. 9)**

Az akkucsavarozó bekapcsolásához nyomja meg a be-/ki – kapcsolót (9).  
Megállításhoz engedje ismét el a be-ki-kapcsolót.

**8.4 LED-fény (1-es kép/poz. 2)**

Az LED-fény (2) lehetővé teszi kedvezőtlen fényviszonyoknál a csavaróhelyek kivilágítását. Bekapcsoláshoz nyomja meg a be-/ki-kapcsolót (4), kikapcsoláshoz nyomja meg ismét a be-/ki-kapcsolót (4).

**8.5 Fogantyúbeállítás (1-es,2-es kép/poz. 3)**

A csavarozót 2 különböző fogantyúbeállításban lehet arretálni. Ehhez nyomni a reteszelőgombot (3) és a csavarozót a kívánt állásba csavarni. Azután ismét elengedni a bereteszelőt (3).

**⚠ Figyelem!**

Beüzemeltetés előtt leellenőrizni, hogy a csavarozó a megfelelő fogantyúhelyzetben be van arretálva.

**8.6 Akku kapacitásjelző (4-es kép/poz. 5)**

Nyomja meg az akku-kapacitáskijelző (6) taszterját. Az akku-kapacitáskijelző (5) a 3 színes LED által szignalizálja az akku töltésállapotát.

**Minden LED világít:**

Az akku teljesen fel van töltve.

**A sárga és a piros LED világít:**

Az akku elegendő fennmaradt töltéssel rendelkezik.

**Piros LED:**

Az akku üres, töltse fel az akkut.

**8.7 Szerszámcsere (5-ös kép)****⚠ Figyelem!**

Az akkucsavarozón történő bármilyen fajta munkánál (mint például szerszámcsere; karbantartás; stb.) a bal-/jobbmenet átkapcsolót (10) középpállásba tenni.

- A reteszelő hüvelyt (14) hátrahúzni és tartani.
- Bedugni a Bit-et (a) a Bit-befogadóba (1), elereszteni a bereteszelő hüvelyt (14).
- A reteszelést a szerszámon való húzás által leellenőrizni.
- A Bit-tek (a) kivételéhez hátrahúzni a reteszelő hüvelyt (14) és fogva tartani.
- Kivenni a Bit-et (a) és elengedni a reteszelő hüvelyt (14).

**8.8 A forgatónyomaték beállítása (1-es kép/poz. 13)****⚠ Figyelem!**

A forgatónyomatékot csak nyugalmi állapotban beállítani.

Az akkucsavarozó egy mechanikus forgatónyomatékbeállítás van ellátva.

Minden egyes meghatározott csavarnagysághoz a forgatónyomatékot a forgatónyomatékbeállításon (13) lesz beállítva. A szükséges forgatónyomaték több tényezőtől függ:

- a megmunkálandó anyag fajtájától és keménységétől.
- a használt csavarok fajtájától és hosszától.
- a csavarkötésektől elvárt igényektől.

A forgatónyomaték elérése a kuplung kioldása által lesz jelezve.

**8.9 Csavarok**

Legjobb ha öncentrírozó csavarokat használni (mint például Torx; csillagcsavar), amely egy biztos dolgot garantál. Ügyeljen arra, hogy a használt Bit és a csavar formában és nagyságban megegyezzenek.

HU

### 8.10 A csavarozó túlterhelése

Ha a csavarozó túl lesz terelve, akkor a védőlekapcsoló lekapcsolja a készüléket. Egy pár másodperc után ismét használni lehet a csavarozót.

## 9. Tisztítás, karbantartás és pótalkatrészmegrendelés

### ⚠ Figyelem!

Tisztítási munkák előtt húzza ki a hálózati csatlakozót.

#### 9.1 Tisztítás

- Tartsa a védőberendezéseket, szellőztető réseket és a gépházat annyira por- és piszokmentesen, amennyire csak lehet. Dörzsölje le a készüléket egy tiszta posztóval vagy pedig fújja ki sűrített levegővel, alacsony nyomás alatt.
- Ajánljuk, hogy a készüléket minden használat után azonnal kitisztítsa.
- Tisztítsa meg a készüléket rendszeresen egy nedves posztóval és egy kevés kenőszappannal. Ne használjon tisztító vagy oldó szereket; ezek megtámadhatják a készülék műanyagrészeit. Ügyeljen arra, hogy ne kerüljön víz a készülék belsejébe.

#### 9.2 Karbantartás

A készülék belsejében nem található további karbantartandó rész.

#### 9.3 A pótalkatrész megrendelése:

A pótalkatrészek megrendlésénél a következő adatokat kellene megadni:

- A készülék típusát
- A készülék cikk-számát
- A készülék ident- számát

Aktuális árak és információk a [www.isc-gmbh.info](http://www.isc-gmbh.info) alatt találhatóak.

## 10. Megsemmisítés és újrahasznosítás

A szállítási károk megakadályozásához a készülék egy csomagolásban található. Ez a csomagolás nyersanyag és ezáltal ismét felhasználható vagy pedig visszavezethető a nyersanyag körforgáshoz. A készülék és annak a tartozékai különböző anyagokból állnak, mint például fémből és műanyagokból. Vigye a károsult alkatrészeket a különhulladék megsemmisítési helyhez. Érdeklődjön utána a szaküzletben vagy a községi közigazgatásnál!



Csak az EU-országoknak

Ne dobja az elektromos szerszámokat a háztartási hulladék közé!

Az elektromos és elektronikus-öregkészülékek 2002/96/EG európai irányvonala és anemzeti jogba való átvétele szerint az elhasznált elektromos szerszámokat szétválasztva kell összegyűjteni és vissza kell vezetni egy környezetvédelemnek megfelelő újrafelhasználáshoz.

Recycling-alternatívák a visszaküldési felszólításhoz:

Az elektromos készülék tulajdonosa, a tulajdon feladása esetében köteles a visszaküldés helyett alternatív a szakszerű értékesítéssel kapcsolatban összedolgozni. Az öreg készüléket ehhez egy visszavevő helynek is át lehet hagyni, amely elvégzi a nemzeti körforgásipari- és hulladéktörvények értelmében levő megsemmisítést. Ez nem érinti az öreg készülékek mellékelt elektromos alkotórészek nélküli tartozékait és segítőeszközeit

## 11. Konformkijelentés

Einhell Germany AG · Wiesenweg 22 · D-94405 Landau/Isar



## Konformitätserklärung

- erklärt folgende Konformität gemäß EU-Richtlinie und Normen für Artikel  
 explains the following conformity according to EU directives and norms for the following product  
 déclare la conformité suivante selon la directive CE et les normes concernant l'article  
 dichiara la seguente conformità secondo la direttiva UE e le norme per l'articolo  
 verklaart de volgende overeenstemming conform EU richtlijn en normen voor het product  
 declara la siguiente conformidad a tenor de la directiva y normas de la UE para el artículo  
 declara a seguinte conformidade, de acordo com a directiva CE e normas para o artigo  
 atterer følgende overensstemmelse i medfør af EU-direktiv samt standarder for artikel  
 förklarar följande överensstämmelse enl. EU-direktiv och standarder för artikeln  
 vakuuttaa, että tuote täyttää EU-direktiivin ja standardien vaatimukset  
 tõendab toote vastavust EL direktiivile ja standarditele  
 vydává následující prohlášení o shodě podle směrnice EU a norem pro výrobek  
 potrjuje sledeću skladnost s smernico EU in standardi za izdelek  
 vydáva nasledujúce prehlásenie o zhode podľa smernice EÚ a noriem pre výrobok  
 a cikkekhez az EU-irányvonal és Normák szerint a következő konformitást jelenti ki  
 deklaruje zgodność wymienionego poniżej artykułu z następującymi normami na podstawie dyrektywy WE.  
 декларира съответното съответствие съгласно Директива на ЕС и норми за артикул  
 paskaidro šādu atbilstību ES direktīvai un standartiem  
 arībūdina šj atitikimą EU reikalavimams ir prekės normoms  
 declară următoarea conformitate conform directivei UE și normelor pentru articolul  
 δηλώνει την ακόλουθη συμμόρφωση σύμφωνα με την Οδηγία ΕΚ και τα πρότυπα για το προϊόν  
 potvrđuje sljedeću usklađenost prema smjernicama EU i normama za artikl  
 Izjava o sukladnosti za ovaj proizvod dostupna je na internet stranici www.lidl.hr.  
 potvrđuje sljedeću usklađenost prema smjernicama EU i normama za artikl  
 potvrđuje sledeću usklađenost prema smernicama EZ i normama za artikl  
 следующим удостоверяется, что следующие продукты соответствуют директивам и нормам ЕС  
 проголошує про зазначену нижче відповідність виробу директивам та стандартам ЄС на виріб  
 Ürünü ile ilgili AB direktifleri ve normları gereğince aşağıda açıklanan uygunluğu belirtir  
 erklærer følgende samsvar i henhold til EU-direktivet og standarder for artikkel  
 Lysir uppfyllingu EU-reglna og annarra staða vöru

## Akkuschrauber PASS 3,6 A1 / Ladegerät LG PASS 3,6 A1 (Parkside)

- |   |  |
|---|--|
| <input type="checkbox"/> 87/404/EC_2009/105/EC  | <input checked="" type="checkbox"/> 2006/42/EC   |
| <input type="checkbox"/> 2005/32/EC_2009/125/EC | <input type="checkbox"/> Annex IV<br>Notified Body:<br>Notified Body No.:<br>Reg. No.:   |
| <input type="checkbox"/> 2006/95/EC             |  |
| <input type="checkbox"/> 2006/28/EC             |  |
| <input checked="" type="checkbox"/> 2004/108/EC | <input type="checkbox"/> 2000/14/EC_2005/88/EC   |
| <input type="checkbox"/> 2004/22/EC             | <input type="checkbox"/> Annex V   |
| <input type="checkbox"/> 1999/5/EC              | <input type="checkbox"/> Annex VI<br>Noise: measured $L_{WA}$ = dB (A); guaranteed $L_{WA}$ = dB (A)<br>P = KW; L/Ø = cm<br>Notified Body: |
| <input type="checkbox"/> 97/23/EC               |  |
| <input type="checkbox"/> 90/396/EC_2009/142/EC  |  |
| <input type="checkbox"/> 89/686/EC_96/58/EC     | <input type="checkbox"/> 2004/26/EC<br>Emission No.:   |
| <input checked="" type="checkbox"/> 2011/65/EC  |  |

Standard references: EN 60745-1; EN 60745-2-2; EN 55014-1;  
EN 55014-2; EN 60335-1; EN 60335-2-29; EN 61000-3-2; EN 61000-3-3

Landau/Isar, den 22.09.2011

  
Weichselgartner/General Manager


  
Unger/Product-Management

First CE: 08  
Art.-No.: 45.134.24 I.-No.: 11031  
Subject to change without notice

Archive-File/Record: NAPR004730  
Documents registrar: Georg Riedel  
Wiesenweg 22, D-94405 Landau/Isar

# 12. GARANCIAOKMÁNY

## Tisztelt Vevő,

termékeink szigorú minőségi kontroll alá vannak vetve. Ha ez a készülék mégis egyszer nem működne kifogástalanul, akkor azt nagyon sajnáljuk és kérjük Önt forduljon a szervízszolgálatunkhoz amely ebben a garanciakártyában megadott cím alatt található. Szívesen állunk a rendelkezésére telefonon is, az alul megadott szervízsám alatt. A garanciaigények érvényesítésére a következők érvényesek:

1. Ezek a garanciafeltételek szabályozzák a kiegészítő garanciateljesítményeket. A jogi szavatossági igények, ez a garancia által nincsennek érintve. A garanciateljesítményünk az Ön számára ingyenes.
2. A garanciateljesítmény csak kizárólagosan olyan hibákra terjed ki, amelyek anyag- vagy gyártási hibákra visszavezethetőek és ezeknek a hibáknak a kiküszöbölésére ill. a készülék kicserélésére van korlátozva. Kérjük vegye figyelembe, hogy a készülékeink a meghatározásuk szerint nem kisipari, kézműipari vagy ipari üzemek területén történő bevetésre lettek tervezve. Ezért a garanciaszerződés nem jön létre, ha a készülék kisipari, kézműipari vagy ipari üzemek területén valamint egyenértékű tevékenységek területén van használva. Továbbá a következő kárpótlási teljesítmények mint a szállítási károkért, károkért amelyek az összeszerelési utasítás figyelmen kívül hagyása vagy amelyek a nem szakszerű felszerelés, a használati utasítás figyelmen kívül hagyása (mint például egy rossz hálózati feszültségre vagy áramfajtára való rákapsolás), visszaélészerű vagy nem szakszerű használatok (mint például a készülék túlterhelése vagy nem engedélyezett betétszerszámok vagy tartozékok), a karbantartási és biztonsági határozatok figyelmen kívül hatása, idegen testek behatolása a készülékbe (mint például homok, kövek vagy por) erőszakbehatolás vagy idegen behatások (mint például leejtés általi károk) úgymint a használat általi, szokásos kopások által keletkező károk ki vannak zárva. Ez különösen azokra az akkukra érvényes, amelyekre még egy 12 hónapos garanciaidőt nyújtunk.

A készüléken történő előzetes belenyúlás esetén elveszítődik a garanciajogosultság.

3. A garanciaidő érvényessége 3 év és a készülék vásárlási időpontjával kezdődik. A garanciaigények a garanciaidő lejárása előtt, két héten belül érvényesíteni kell, miután felismerte a hibát. A garanciajog érvényesítése a garancia idő lejárása után ki van zárva. A készülék kicserélése vagy megjavítása nem vezet a garancia időtartamának a meghosszabításához se nem vezet ez a teljesítmény a készülék vagy az esetleg beépített pótalkatrészek egy új garanciaidőtartamhoz. Ez egy helyszíni szervíz esetében is érvényes.
4. A garanciajog érvényesítéséhez kérjük küldje a defekt készüléket bérmentesen a lent megadott címre. Mellélkelje a vásárlási nyugtát eredetiben vagy egyéb módon levő bizonylatot a vásárlás keltéről. Kérjük őrizze ezért jól meg a pénztári cédulát mind bizonyítékot! Kérjük írja le lehetőleg pontosan a reklamáció okát. Ha a defekt a garanciateljesítményünk keretén belül van, akkor kap azonnal egy megjavított vagy egy új készüléket vissza.

Magától érthetődő, hogy a költségek megtérítése ellenében szívesen megjavítsuk azokat a készüléken levő defekteket amelyek a garancia terjedelme nem vagy már nem érinti. Ehhez küldje kérjük a készüléket a szervícímünkre.

**EINHELL HUNGARIA LTD.**  
KÖZPONTI SZERVIZ - VEVŐSZOLGÁLAT  
1107 BUDAPEST, MÁZSA TÉR 5-7.  
Tel. 06(1) 237-0494 · Fax 06(1) 237-0495

<b>Kazalo</b>	<b>Stran</b>
1. Uvod .....	33
2. Varnostni napotki .....	33-37
3. Opis naprave .....	37
4. Obseg dobave .....	37
5. Predpisana namenska uporaba .....	37
6. Tehnični podatki.....	37-38
7. Pred prvim zagonom .....	38
8. Upravljanje.....	38-40
9. Čiščenje, vzdrževanje in naročanje nadomestnih delov.....	40
10. Odstranjevanje in ponovna uporaba .....	40-41
11. Izjava o skladnosti.....	42
12. Garancijski list .....	43

Ponatis ali kakršnokoli razmnoževanje dokumentacije in spremljajočih papirjev o proizvodu, tudi po izvlečkih, je dovoljeno samo z izrecnim soglasjem ISC GmbH.

Pridržana pravica do tehničnih sprememb



“OPOZORILO - Za zmanjšanje tveganja poškodb preberite navodila za uporabo stroja”



## 1. Uvod

### ⚠ **Pozor!**

Pri uporabi naprav je potrebno upoštevati nekaj varnostnih ukrepov, da bi preprečili poškodbe in materialno škodo. Zato skrbno preberite ta navodila za uporabo/varnostne napotke. Le-te dobro shranite tako, da boste imeli zmeraj pri roki potrebne informacije.

Če bi napravo izročili drugim osebam, Vas prosimo, da jim izročite tudi ta navodila za uporabo/varnostne napotke. Ne prevzemamo nobene odgovornosti za nezgode ali škodo, ki bi nastale zaradi neupoštevanja teh navodil za uporabo in varnostnih napotkov.

## 2. Varnostni napotki

### Splošni varnostni napotki za električna orodja

⚠ **OPOZORILO** Preberite vse varnostne napotke in navodila. V primeru, da tega ne storite, so lahko posledica električni udar, požar in/ali hude poškodbe.

**Shranite vse varnostne napotke in navodila za kasnejšo uporabo.**

V varnostnih napotkih uporabljeni pojem „električno orodje“ se nanaša na električna orodja, ki jih poganja omrežni električni tok (z električnim priključnim kablom) in na električna orodja na akumulatorski pogon (brez električnega priključnega kabla).

### 1. Varnost na delovnem mestu

- **Delovno območje vzdržujte v čistem in pospravljenem stanju.** Nered in neosvetljena delovna območja lahko privedejo do nezgod.
- **Z električnim orodjem ne delajte v eksplozivno nevarnem okolju, v katerem se nahajajo vnetljive tekočine, plini ali prah.** Električna orodja proizvajajo iskre, ki lahko povzročijo vžig prahu ali pare.
- **Med uporabo električnega orodja naj se otroci in druge osebe ne nahajajo v bližini.** V primeru nepozornosti lahko

izgubite nadzor nad napravo.

### 2. Električna varnost

- **Priključni vtikač električnega orodja mora biti primeren za uporabljano vtičnico. Vtikača ne smete v nobenem primeru spreminjati. Ne uporabljajte nobenih adapterskih vtikačev skupaj z zaščitno ozemljenimi električnimi orodji.** Nespremenjeni vtikači in ustrezne vtičnice zmanjšujejo tveganje električnega udara.
- **Izogibajte se stiku telesa z ozemljenimi površinami kot so cevi, gretje, štedilniki in hladilniki.** Obstaja povečano tveganje električnega udara, ko je Vaše telo ozemljeno.
- **Držite električna orodja v stran od dežja ali vlage.** Vstop vode v električno napravo povečuje tveganje električnega udara.
- **Kabla ne uporabljajte v druge namene, da bi električno orodje prenašali, obešali ali, da bi s kablom izvlačili električni priključni vtikač. Kabel držite v stran od vročine, olja, ostrih robov ali premičnih delov naprave.** Poškodovani ali zvitih kabli povečujejo tveganje električnega udara.
- **Ko delate z električnim orodjem na prostem, uporabljajte samo kabelske podaljške, ki so primerni tudi za uporabo na prostem.** Uporaba za na prostem primerne kabelske podaljške zmanjšuje tveganje električnega udara.
- **Če se ne morete izogniti uporabi električnega orodja v vlažnem okolju, uporabljajte zaščitno stikalo za ovarni tok.** Uporaba zaščitnega stikala za ovarni tok zmanjšuje tveganje električnega udara.

### 3. Varnost oseb

- **Bodite pozorni in pazite na to, kar počnete in dela z električnim orodjem se ločite razumno. Ne uporabljajte električnega orodja, če ste utrujeni ali pod vplivom drog, alkohola ali zdravil.** Trenutek nepozornosti pri uporabi električnega orodja lahko privede do resnih poškodb.
- **Uporabljajte osebno zaščitno opremo in zmeraj zaščitna očala.** Nošenje osebne

SI

zaščitne opreme kot so protiprašna maska, proti zdrsu varna obutev, zaščitna čelada ali zaščita za ušesa, glede na vrsto uporabe električnega orodja, zmanjšuje tveganje poškodb.

- **Izogibajte se nenačrtovanemu zagonu. Prepričajte se, če je električno orodje izključeno preden ga priključite na tokovno napajanje in/ali akumulator, ga dvigujete ali prenašate.** Če pri prenašanju električnega orodja držite prst na stikalu ali priključujete na tokovno napajanje napravo vključeno, lahko to privede do nezgode.
- **Odstranite orodje za nastavitve ali izvijače preden vključite električno orodje.** Orodje ali ključ, ki se nahajajo v vrtečem se delu naprave, lahko povzročijo poškodbo.
- **Izogibajte se nenormalni drži telesa. Poskrbite za varno stoji in vedno držite ravnotežje.** Tako boste lahko bolje nadzorovali električno orodje v nepričakovanih situacijah.
- **Nosite primerno obleko. – Ne nosite ohlapnih oblačil ali nakita. Držite lase, obleko in rokavice v stran od premičnih delov.** Ohlapno obleko, nakit ali dolge lase lahko premični deli zagrabijo.
- **Če je možno montirati opremo za odsesavanje prahu in opremo za zajemanje prahu, se prepričajte, da bo le-ta priključena in pravilno uporabljena.** Uporaba opreme za odsesavanje prahu lahko zmanjša tveganje zaradi prahu.

#### 4. Uporaba in delo z električnim orodjem

- **Ne preobremenjujte naprave. Uporabljajte za Vaše delo namenjeno električno orodje.** Z ustreznim električnim orodjem boste delali bolje in varneje v navedenem močnostnem območju.
- **Ne uporabljajte električnega orodja, ki ima pokvarjena stikala.** Električno orodje, ki ga ni več možno vključiti ali izključiti, je nevarno in ga je potrebno popraviti.
- **Izvlomite vtikač iz vtičnice in/ali odstranite akumulator preden začnete izvajati nastavitve na napravi, zamenjate dele orodja na napravi ali odložite napravo.** Takšni preventivni

ukrepi preprečijo nenačrtovani zagon električnega orodja.

- **Neuporabljano električno orodje shranjujte izven dosega otrok. Ne pustite napravo uporabljati osebam, ki niso seznanjene z napravo ali niso prebrale navodila za uporabo naprave.** Električna orodja so nevarna, če jih uporabljajo neizkušene osebe.
- **Skrbno negujte električno orodje. Preverite, če premični deli delujejo brezhibno in se ne zatikajo, če niso deli zlomljeni ali poškodovani, kar bi lahko negativno vplivalo na delovanje električnega orodja. Pred uporabo naprave predajte poškodovane dele v popravilo.** Mnoge nezgode so posledica slabo vzdrževanega električnega orodja.
- **Vaše rezalno orodje vzdržujte v ostrem in čistem stanju.** Skrbno negovano rezalno orodje z ostrimi rezalnimi robovi se manj zatika in ga je lažje voditi.
- **Uporabljajte električno orodje, pribor za električno orodje, itd. V skladu s temi navodili. Pri tem upoštevajte delovne pogoje in izvajano dejavnost.** Uporaba električnih orodij za druge namene kot je to predpisano lahko privede do nevarnih situacij.

#### 5. Uporaba in obravnava orodja na baterije

- **Baterije polnite samo v napajalnikih, ki jih priporoča izdelovalec.** Pri polnilnikih, primernih za določeno vrsto baterij, obstaja nevarnost požara, če se uporabljajo z drugimi baterijami.
- **V električnih orodjih uporabljajte samo za to predvidene baterije.** Uporaba drugih baterij lahko povzroči poškodbe in nevarnost požara.
- **Neuporabljenih baterij ne približujte pisarniškim sponkam, kovancem, ključem, žebljem, vijakom ali drugim majhnim kovinskim predmetom, ki lahko povzročijo premostitev kontaktov.** Kratek stik med kontakti baterije lahko povzroči opekline ali požar.
- **Ob napačni rabi lahko iz baterije izstopa tekočina. Preprečite stik z njo. Ob naključnem stiku jih sperite z vodo. Če**

**pride tekočina v oči, poiščite zdravniško pomoč.** Tekočina, ki izteče iz baterije, lahko povzroči draženje kože ali opekline.

## 6. Servisiranje

- **Pustite, da bo Vaše električno orodje popravil samo strokovno usposobljeni električar in pri tem uporabljal samo originalne nadomestne dele.** S tem bo zagotovljeno, da se ohrani varnost električnega orodja.

**Ko izvajate dela, pri katerih lahko vijak ali uporabljeno orodje naleti na skrito električno napeljavo, držite napravo za izolirane prijemalne površine.** Stik z napeljavo, ki je pod napetostjo, lahko spravi pod napetost tudi kovinske dele naprave in povzroči električni udar.

### Posebni varnostni napotki

Pri izdelavi vsakega paketa baterij ravnamo skrbno, da naredimo baterije z največjo energijsko gostoto, dolgo življenjsko dobo in varnostjo. Baterijske celice imajo večstopenjske varnostne naprave. Vsaka posamična celica se najprej formatira, njena električna značilnost pa se zabeleži. Ti podatki se nato uporabijo za združitev najboljših možnih paketov baterij. **Kljub vsem varnostnim ukrepom je treba z baterijami vedno ravnati previdno. Za varno uporabo obvezno upoštevajte naslednje točke.**

**Varna uporaba je zagotovljena le, če so celice nepoškodovane! Napačno ravnanje poškoduje celice.**

**Pozor!** Analize so potrdile, da so napačna uporaba in napačno vzdrževanje glavna razloga za poškodbo, ki jo povzročijo baterije z visoko zmogljivostjo.

### Napotki o bateriji

- Paket baterij naprave za baterije ob dobavi ni napolnjen. Pred prvim zagonom morate zato baterijo napolniti.
- Za optimalno moč baterij preprečite cikle z globoko izpraznitvijo baterije! Pogosto polnite baterijo.

- Baterijo hranite na hladnem, najbolje pri 15 °C in napolnjeno do vsaj 40 %.
- Litij-ionske baterije se naravno starajo. Najkasneje, ko zmogljivost vaše baterije ustreza 80 % novega stanja, morate baterijo zamenjati! Oslabljene celice v zastarelem paketu baterij več ne zmorejo izpolnjevati visokih zahtev in predstavljajo z varnostjo povezano tveganje.
- Porabljenih baterij ne mečite v ogenj. Nevarnost eksplozije!
- Baterij ne prižigajte in ne dovolite, da zgorijo.
- **Baterij ne praznite do konca!** Globoka izpraznitev baterije poškoduje njene celice. Najpogostejši vzrok za globoko praznjenje paketa baterij je dolgo shranjevali ali neuporaba delno izpraznjene baterije. Delovni postopek končajte takoj, ko moč občutno upade. Baterijo najprej povsem napolnite in jo šele nato shranite.
- **Baterije ali napravo zaščitite pred preobremenitvijo!** Preobremenitev povzroči hitro pregretje in poškodovanje celic v notranjosti ohišja baterij, ob čemer znaki pregretja navzven niso opazni.
- **Preprečite poškodovanje in udarce!** Baterijo, ki vam je padla iz višine več kot en meter ali je bila izpostavljena silovitim sunkom, takoj zamenjajte, tudi če ohišje paketa baterij ne kaže znakov poškodovanja. Baterijske celice v notranjosti so morda resno poškodovane. Upoštevajte navodila za odstranjevanje.
- Ob preobremenjenosti in pregretju integrirana zaščitna naprava izključi napravo iz varnostnih razlogov. **Pozor!** Stikala za vklop/izklop več ne vključujte, ko je zaščitno stikalo napravo izključilo. V nasprotnem lahko pride do poškodbe akumulatorja.
- Uporabljajte le originalne baterije. Uporaba drugih baterij lahko povzroči poškodbe, eksplozijo in nevarnost požara.

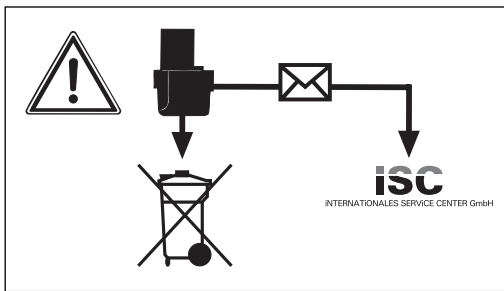
## Napotki glede polnilne naprave in postopka polnjenja

- Dobavljenega polnilnika ne uporabljajte za polnjenje baterij, ki jih ni mogoče ponovno napolniti.
- Upoštevajte podatke, navedene na tipski tablici polnilne naprave. Polnilno napravo priključite na omrežno napetost, navedeno na tipski tablici.
- Polnilno napravo in napeljavo zaščitite pred poškodovanjem in ostrimi robovi. Poškodovane kable naj takoj zamenja električar.
- Polnilnik ni namenjen temu, da bi ga uporabljale osebe (vključno otroci) z omejenimi fizičnimi, senzornimi ali duševnimi sposobnostmi ali s pomanjkanjem izkušenj in/ali znanja, razen, če so pod nadzorom za njihovo varnost pristojne osebe ali so od le-te dobile navodila kako uporabljati napravo.
- Otroci morajo biti pod nadzorom, da zagotovite, da se ne bodo igrali z napravo.
- Ne uporabljajte poškodovanih polnilnih naprav.
- Ne uporabljajte dobavljene polnilne naprave za polnjenje drugih naprav za baterije.
- Ob močni obremenitvi se paket baterij ogreje. Počakajte, da se paket baterij pred začetkom postopka polnjenja ohladi na sobno temperaturo.
- **Baterij ne napolnite preveč!** Upoštevajte najdaljši čas polnjenja. Ta čas polnjenja velja samo za prazne baterije. Večkratno vtikanje polne ali delno polne baterije povzroči preveliko napolnjenost in poškodovanje celic. Baterij ne pustite v polnilni napravi več dni.
- **Nikoli ne uporabljajte ali polnite baterij, za katere menite, da so bile nazadnje napolnjene pred več kot 12 meseci.** Verjetnost, da je baterija že močno poškodovana, je velika (globoko izpraznjenje).
- Polnjenje pri temperaturi pod 10 °C povzroči kemijsko poškodovanje celice in lahko vodi v požar.
- Ne uporabljajte baterij, ki so se med polnjenjem ogrele, saj so morda celice baterije nevarno poškodovane.

- Ne uporabljajte baterij, ki se med polnjenjem napnejo ali deformirajo ali kažejo neobičajne znake (uhajanje plina, sikanje, pokanje, ...)
- Baterije ne izpraznite popolnoma (priporočena globina praznjenja največ 80 %). Popolna izpraznitev povzroči predčasno staranje celic baterije.
- Baterij nikoli ne polnite brez nadzora!

## Zaščita pred vremenskimi vplivi

- Nosite ustrezna delovna oblačila. Uporabljajte zaščitna očala!
- **Svojo baterijsko napravo in polnilno napravo zaščitite pred vlago in dežjem.** Vlaga in dež lahko povzročita nevarno poškodovanje celic.
- Baterijske naprave in polnilne naprave ne morete uporabljati na območju hlapov in gorljivih tekočin.
- Polnilno napravo in baterijske naprave uporabljajte le v suhem stanju pri temperaturi okolic 10-40 °C.
- Baterij ne shranjujte na mestih, kjer lahko temperatura doseže 40 °C, še zlasti ne v vozilu, parkiranem na soncu.
- **Baterije zaščitite pred pregretjem!** Preobremenitev, prevelika napolnjenost ali sončni žarki povzročijo pregretje in poškodovanje celic. Pregretilih baterij nikoli ne polnite in ne uporabljajte, temveč jih takoj zamenjajte.
- **Shranjevanje baterij, polnilnih naprav in akumulatorskih naprav.** Polnilno napravo in akumulatorsko napravo hranite le v suhem prostoru s temperaturo okolice med 10-40 °C. Litij-ionske baterije hranite v hladnem in suhem prostoru med 10-20 °C. Zaščitite pred zračno vlago in neposrednimi sončnimi žarki! Baterije shranjujte le polne (vsaj 40 % polne).
- Preprečite zamrzovanje litij-ionskih baterij. Baterije, ki jih hranite dalj časa kot 60 minut pod 0 °C, morate zavreči.
- Previdno pri ravnanju z baterijami v zvezi z elektrostatičnim nabojem: Elektrostatični naboj povzroči do poškodovanja zaščitne elektronike in celic baterije! Zato preprečite elektrostatično naelektritev in se nikoli ne dotikajte polov baterije!



Baterije in električne naprave na baterije vsebujejo snovi, ki ogrožajo okolje. Baterijske naprave ne sodijo med gospodinjske odpadke. Iz okvarjene ali obrabljene naprave odstranite baterijo in jo pošljite na naslov iSC GmbH, Eschenstraße 6 in D-94405 Landau, Nemčija ali pa pošljite celo baterijsko napravo, če se baterij ne da ločiti. Le tako lahko izdelovalec zagotovi pravilno odstranitev baterij.

**Pri pošiljanju ali odstranjevanju baterij ali baterijskih naprav pazite, da bodo zapakirane posamično, saj lahko sicer pride do kratkih stikov ali požara.**

**Ta varnostna navodila dobro shranite.**

### 3. Opis naprave (Slika 1)

1. Sprejemni del za nastavke
2. Lučka LED
3. Tipka za zapahnitev
4. Stikalo za vklop/izklop lučka
5. Prikaz kapacitete akumulatorja
6. Tipka za prikaz kapacitete akumulatorja
7. Lučka za kontrolo polnjenja
8. Priključek za polnjenje
9. Stikalo za vklop/izklop
10. Preklopno stikalo vrtenje v levo/desno
11. Polnilnik
12. Kabel polnilca
13. Nastavitev vrtilnega momenta
14. Zapiralna puša

### 4. Obseg dobave

Vzemite vse dele iz embalaže in preverite popolnost dobave.

- Baterijski izvijač PASS 3.6 A1
- Polnilnik
- 26 nastavkov
- Držalo nastavkov
- Kovček
- Navodilo za uporabo

### 5. Predpisana namenska uporaba

Baterijski izvijač je primeren za privijanje in odvijanje vijakov.

Ta stroj se lahko uporablja le v skladu z njegovo namembnostjo. Vsaka druga uporaba šteje kot nenamenska nedovoljena uporaba. Za kakršnekoli poškodbe ali škodo, ki bi nastale zaradi nedovoljene uporabe, nosi odgovornost uporabnik/upravljaec in ne proizvajalec.

Prosimo, da upoštevate, da naše naprave niso bile konstruirane za namene uporabe v obrtništvu ali industriji. Ne prevzemamo nobene odgovornosti, če je bila naprava uporabljena v obrtništvu ali industriji ter v podobnih dejavnostih.

### 6. Tehnični podatki

Napetostno napajanje motorja:	3,6 V d.c.
Število vrtljajev v prostem teku:	200 min <sup>-1</sup>
Vrtenje v desno / levo:	da
Izhodna napetost napajalnik:	6,8 V d.c.
Izhodni tok napajalnik:	550 mA
Omrežna napetost polnilnika:	230 V~ 50 Hz
Čas polnjenja:	3 ur
Tip akumulatorja:	Li-Ion/1,5 Ah
Teža:	0,4 kg
LED razred	1

SI

## Hrup in vibracije

Vrednosti hrupa in vibracij so bile izmerjene v skladu z EN 60745.

Nivo zvočnega tlaka $L_{pA}$	62 dB (A)
Negotovost $K_{pA}$	3 dB
Nivo zvočne moči $L_{WA}$	73 dB (A)
Negotovost $K_{WA}$	3 dB

### Uporabljajte zaščito za ušesa.

Učinkovanje hrupa lahko povzroči izgubo sluha.

Skupne vrednosti nihanj (vektorska vsota treh smeri) so bile ugotovljene v skladu z EN 60745.

### Vijačenje brez uradjanja

Emisijske vrednosti tresljajev  $a_h \leq 2,5 \text{ m/s}^2$   
Negotovost  $K = 1,5 \text{ m/s}^2$

### Opozorilo!

Navedena vrednost emisije tresljajev je bila izmerjena po normiranem postopku in se lahko spreminja in v izjemnih primerih prekorači navedeno vrednost glede na vrsto in način uporabe električnega orodja.

Navedena vrednost emisije tresljajev se lahko uporablja v primerjavo električnega orodja z enim drugim orodjem.

Navedena vrednost emisije tresljajev se lahko uporablja tudi za uvodno oceno škodovanja.

### Omejite razvijanje hrupa in vibracij na minimum!

- Uporabljajte samo brezhibne naprave.
- Redno vzdržujte in čistite napravo.
- Način dela prilagodite napravi.
- Ne preobremenjujte naprave.
- Po potrebi dajte napravo na preverjanje.
- Izključite napravo, ko je ne uporabljate.
- Uporabljajte rokavice.

## 7. Pred prvim zagonom

### ⚠ Pozor!

Pred uporabo Vašega baterijskega vrtnega kladiva brezpogojno preberite sledeča opozorila:

1. Akumulator polnite samo z dobavljenim polnilnikom (11).
2. Uporabljajte samo brezhibne in primerne vijačne nastavke.
3. Pri vijačenju v stenah in zidovih preverite položaj zakrite električne, vodovodne in plinske napeljave.

## 8. Upravljanje

### 8.1 Polnjenje akumulatorja (Slika 1)

Akumulator je zaščiten proti popolnemu izpraznjenju. Integrirano zaščitno stikalo avtomatsko izključi napravo, ko se je akumulator izpraznil. Sprejemni del za nastavke (1) se v takšnem primeru več ne obrača.

### ⚠ Pozor!

Stikala za vklop/izklop (9) več ne vključujte, ko je zaščitno stikalo napravo izključilo. V nasprotnem lahko pride do poškodbe akumulatorja.

1. Preverite, če se na tipksi podatkovni tablici navedena napetost sklada z obstoječo omrežno napetostjo. Vključite polnilec (11) v vtičnico in povežite kabel polnilca (12) s priključkom za polnjenje (8). Postopek polnjenja se začne, ko je kabel polnilca priključen na priključek za polnjenje.
2. Lučka za kontrolo polnjenja (7) signalizira, da se akumulator polni.
3. Po izvršenem polnjenju lučka za kontrolo polnjenja (7) ugasne.

### ⚠ Pozor!

Med polnjenjem se lahko ročaj nekoliko segreva, kar pa je popolnoma normalno.

Če polnjenje akumulatorja ne bi bilo možno, preverite prosimo:

- če je na vtičnici omrežna napetost,
- če obstaja brezhibna povezava na kontaktih naprave za polnjenje (11).

Če polnjenje akumulatorja še zmeraj ne bi bilo možno, Vas prosimo, da

- polnilnik (11)
- in izvijač

pošljete naši servisni službi.

Zaradi dolge življenjske dobe akumulatorja morate skrbeti za pravočasno ponovno polnjenje akumulatorja. To je v vsakem primeru potrebno, če ugotovite, da moč baterijskega izvijača popušča.

### 8.2 Stikalo za preklon smeri vrtenja desno/levo (Slika 2/Poz. 10)

S preklonim stikalom za vrtenje v levo / desno (10) lahko s stikalom za vklop / izklop (9) nastavite smer vrtenja baterijskega izvijača in zavarujete baterijski izvijač proti neželenemu vklopu. Lahko izbirate med smerjo vrtenja v desno ali levo.

#### ⚠ Pozor!

Da bi preprečili poškodovanje menjalniškega dela, smete preklapljati smer vrtenja samo v stanju mirovanja naprave. Če se preklonno stikalo za vrtenje v levo/desno (10) nahaja v srednjem položaju, je stikalo za vklop/izklop (9) blokirano.

#### Smer vrtenja

Smer vrtenja v desno  
Smer vrtenja v levo

#### Položaj stikala

“R” vključeno  
“L” vključeno

### 8.3 Stikalo za vklop/izklop (Slika 2/Poz. 9)

Za vklop baterijskega izvijača pritisnite na stikalo za vklop/izklop (9).  
Za zaustavitev spustite stikalo za vklop/izklop.

### 8.4 LED lučka (Slika 1/Poz. 2)

Lučka LED (2) omogoča osvetlitev mesta vijačenja v primeru neugodnih svetlobnih pogojev. Za vklop pritisnite stikalo za vklop/izklop (4), za izklop ponovno pritisnite stikalo za vklop/izklop (4).

### 8.5 Nastavitev ročaja (Slika 1,2/Poz. 3)

Izvijač je možno aretirati v 2 različnih položajih ročaja. V ta namen je potrebno pritisniti tipko za zapahnitev (3) in obrniti izvijač v zeleni položaj. Potem ponovno spustite tipko za zapahnitev (3).

#### ⚠ Pozor!

Pred uporabo preverite, če je izvijač aretirani v svojem položaju ročaja.

### 8.6 Prikaz kapacitete akumulatorja (Slika 4/ Poz. 5)

Pritisnite na tipko za prikaz kapacitete akumulatorja (6). Prikaz kapacitete akumulatorja (5) signalizira stanje napolnenosti akumulatorja s 3 barvnimi lučkami LED.

#### Vse lučke LED so prižgane:

Akumulator je do konca napolnjen.

#### Rumena in rdeča lučka LED sta prižgani:

Akumulator je še zadostno napolnjen.

#### Rdeča lučka LED:

Akumulator je prazen in ga napolnite.

### 8.7 Menjava orodja (Slika 5)

#### ⚠ Pozor!

Pri izvajanju vseh del (npr. menjava orodja; vzdrževanje; itd.) na baterijskem izvijaču preklonite preklonno stikalo za smer vrtenja levo/desno (10) v srednji položaj.

- Povlecite nazaj in držite zaskočno pušo (14).
- Nastavek (a) vstavite v sprejemni del za nastavke (1), spustite zaskočno pušo (14).
- Preverite zaskočni položaj tako, da poskušate izvleči orodje.
- Ko želite odstraniti vijačni nastavek (a), povlecite zapiralno pušo (14) nazaj in jo držite.
- Odstranite nastavek (a) in spustite zapiralno pušo (14).

SI

## 8.8 Nastavitev vrtilnega momenta (Slika 1/Poz. 13)

### ⚠ Pozor!

Vrtilni moment nastavljajte samo v stanju mirovanja orodja. Baterijski izvijač je opremljen z mehanskim nastavljanjem vrtilnega momenta.

Vrtilni moment za določeno velikost vijakov se nastavlja na nastavitvi vrtilnega momenta (13). Zahtevani vrtilni moment je odvisen od več faktorjev:

- Od vrste in trdote obdelovanega materiala.
- Od vrste in dolžine uporabljenih vijakov.
- Od zahtev, ki so potrebne za posamezne vijačne spoje.

Doseganje vrtilnega momenta se signalizira z izklopom sklopke.

## 8.9 Vijaki

Najbolje je, da uporabljate vijake s samocentriranjem (npr. Torx, križni utor), kar zagotavlja varno delo. Pazite na to, da se bodo uporabljani nastavki in vijaki skladali po obliki in velikosti.

## 8.10 Preobremenitev izvijača

Če se izvijač preobremeni, ga zaščitno stikalo izključi. Po nekaj sekundah lahko izvijač ponovno uporabljate.

## 9. Čiščenje, vzdrževanje in naročanje nadomestnih delov

### ⚠ Pozor!

Pred izvajanjem vsakega čistilnega dela izvlecite električni priključni kabel.

### 9.1 Čiščenje

- Vzdržujte zaščitno opremo, zračne reže in ohišje motorja kar se le da brez prahu in umazanije. Napravo obrišite s suho krpo ali s komprimiranim zrakom pod nizkim pritiskom.
- Priporočamo, da napravo očistite neposredno po vsakem končanem delu.
- Redno čistite napravo z vlažno krpo in nekaj milnice. Ne uporabljajte nobenih čistilnih ali

razredčilnih sredstev; le-ta lahko poškodujejo plastične dele naprave. Pazite na to, da ne pride voda v notranjost naprave.

### 9.2 Vzdrževanje

V notranjosti naprave ni nobenih delov, ki bi jih bilo potrebno vzdrževati.

### 9.3 Naročanje nadomestnih delov:

Pri naročanju nadomestnih delov je potrebno navesti naslednje navedbe:

- Tip naprave
- Art. številko naprave
- Ident- številko naprave

Aktualne cene in informacije najdete na spletni strani [www.isc-gmbh.info](http://www.isc-gmbh.info)

## 10. Odstranjevanje in ponovna uporaba

Naprava se nahaja v embalaži, da ne bi prišlo do poškodb med transportom. Ta embalaža je surovina in s tem ponovno uporabna ali pa jo je možno reciklirati. Naprava in njen pribor sta izdelana iz različnih materialov kot npr. kovine in plastika.

Pokvarjene sestavne dele odstranite med posebne odpadke. V ta namen povprašajte v tehnični trgovini ali na občinski upravi!



Samo za dežele EU

Električnega orodja ne mečite med gospodinjne odpadke!

V skladu z evropsko smernico 2002/96/EG o starih električnih in elektronskih napravah in v skladu z izvajanjem nacionalne zakonodaje morate ločeno zbirati izrabljena električna orodja in jih predati v okoljsko varno ponovno predelavo.

Reciklažna alternativa za poziv za vračanje: Lastnik električne naprave je alternativno zavezan, da namesto vračanja sodeluje pri strokovno ustreznem recikliranju v primeru



predaje lastnine. Staro napravo se lahko v ta namen tudi prepusti na odzemnem mestu, ki izvaja odstranjevanje v smislu nacionalne zakonodaje o odstranjevanju takšnih odpadkov. To se ne nanaša na starim napravam priložene dele pribora in opreme brez električnih komponent.

SI

## 11. Izjava o skladnosti

Einhell Germany AG · Wiesenweg 22 · D-94405 Landau/Isar



## Konformitätserklärung

- erklärt folgende Konformität gemäß EU-Richtlinie und Normen für Artikel  
 explains the following conformity according to EU directives and norms for the following product  
 déclare la conformité suivante selon la directive CE et les normes concernant l'article  
 dichiara la seguente conformità secondo la direttiva UE e le norme per l'articolo  
 verklaart de volgende overeenstemming conform EU richtlijn en normen voor het product  
 declara la siguiente conformidad a tenor de la directiva y normas de la UE para el artículo  
 declara a seguinte conformidade, de acordo com a directiva CE e normas para o artigo  
 attesterer følgende overensstemmelse i medfør af EU-direktiv samt standarder for artikel  
 förklarar följande överensstämmelse enl. EU-direktiv och standarder för artikeln  
 vakuuttaa, että tuote täyttää EU-direktiivin ja standardien vaatimukset  
 tõendab toote vastavust EL direktiivile ja standarditele  
 vydává následující prohlášení o shodě podle směrnice EU a norem pro výrobek  
 potrjuje sledeću skladnost s smernico EU in standardi za izdelek  
 vydáva nasledujúce prehlásenie o zhode podľa smernice EÚ a noriem pre výrobok  
 a cikkekhez az EU-irányvonal és Normák szerint a következő konformitást jelenti ki  
 deklaruje zgodność wymienionego poniżej artykułu z następującymi normami na podstawie dyrektywy WE.  
 декларира съответното съответствие съгласно Директива на ЕС и норми за артикул  
 paskaidro šādu atbilstību ES direktīvai un standartiem  
 apibūdina šj atitikimą EU reikalavimams ir prekės normoms  
 declară următoarea conformitate conform directivei UE și normelor pentru articolul  
 δηλώνει την ακόλουθη συμμόρφωση σύμφωνα με την Οδηγία ΕΚ και τα πρότυπα για το προϊόν  
 potvrđuje sljedeću usklađenost prema smjernicama EU i normama za artikl  
 Izjava o skladnosti za ovaj proizvod dostupna je na internet stranici www.lidl.hr.  
 potvrđuje sljedeću usklađenost prema smjernicama EU i normama za artikl  
 potvrđuje sledeću usklađenost prema smernicama EZ i normama za artikal  
 следующим удостоверяется, что следующие продукты соответствуют директивам и нормам ЕС  
 проголошує про зазначену нижче відповідність виробу директивам та стандартам ЄС на виріб  
 Ürünü ile ilgili AB direktifleri ve normları gereğince aşağıda açıklanan uygunluğu belirtir  
 erklærer følgende samsvar i henhold til EU-direktivet og standarder for artikkel  
 Lýsir uppfyllingu EU-reglna og annarra staða vöru

## Akkuschrauber PASS 3,6 A1 / Ladegerät LG PASS 3,6 A1 (Parkside)

- |   |  |
|---|--|
| <input type="checkbox"/> 87/404/EC_2009/105/EC  | <input checked="" type="checkbox"/> 2006/42/EC   |
| <input type="checkbox"/> 2005/32/EC_2009/125/EC | <input type="checkbox"/> Annex IV<br>Notified Body:<br>Notified Body No.:<br>Reg. No.:   |
| <input type="checkbox"/> 2006/95/EC             |  |
| <input type="checkbox"/> 2006/28/EC             |  |
| <input checked="" type="checkbox"/> 2004/108/EC | <input type="checkbox"/> 2000/14/EC_2005/88/EC   |
| <input type="checkbox"/> 2004/22/EC             | <input type="checkbox"/> Annex V   |
| <input type="checkbox"/> 1999/5/EC              | <input type="checkbox"/> Annex VI<br>Noise: measured $L_{WA}$ = dB (A); guaranteed $L_{WA}$ = dB (A)<br>P = KW; L/Ø = cm<br>Notified Body: |
| <input type="checkbox"/> 97/23/EC               |  |
| <input type="checkbox"/> 90/396/EC_2009/142/EC  |  |
| <input type="checkbox"/> 89/686/EC_96/58/EC     | <input type="checkbox"/> 2004/26/EC<br>Emission No.:   |
| <input checked="" type="checkbox"/> 2011/65/EC  |  |

Standard references: EN 60745-1; EN 60745-2-2; EN 55014-1;  
EN 55014-2; EN 60335-1; EN 60335-2-29; EN 61000-3-2; EN 61000-3-3

Landau/Isar, den 22.09.2011

  
Weichselgartner/General Manager


  
Unger/Product-Management

First CE: 08  
Art.-No.: 45.134.24 I.-No.: 11031  
Subject to change without notice

Archive-File/Record: NAPR004730  
Documents registrar: Georg Riedel  
Wiesenweg 22, D-94405 Landau/Isar

# 12. GARANCIJSKA LISTINA

## Spoštovana stranka!

Naši proizvodi podležejo strogi kontroli kakovosti. Če ta naprava kljub temu ne bi delovala brezhibno, to zelo obžalujemo in Vas prosimo, da se obrnete na našo servisno službo na naslov, ki je naveden spodaj na tem garancijskem listu. Z veseljem smo Vam na voljo tudi telefonsko na navedeno servisno klicno številko. Za uveljavljanje garancijskih zahtevkov velja sledeče:

1. Le-ti garancijski pogoji urejajo dodatne garancijske storitve. Vaši zakonski garancijski zahtevki ostanejo s to garancijo nespremenjeni. Naše garancijske storitve so za Vas brezplačne.
  2. Garancijske storitve obsegajo izključno samo pomanjkljivosti zaradi napak v materialih in izdelavi in so omejene na odpravo takšnih pomanjkljivosti oziroma na zamenjavo naprave. Prosimo, da upoštevate, da naše naprave niso konstruirane za uporabo v obrtništvu ali industriji. Garancijska pogodba zato ne pride v poštev, če se naprava uporablja v obrtništvu ali v industrijskih obratih ali v podobnih dejavnostih. Poleg tega ne obsega naša garancija nadomestil za transportne poškodbe, škodo zaradi neupoštevanja navodil za montažo ali zaradi nestrokovne inštalacije, neupoštevanja navodil za uporabo (kot n. pr. priklop na napačno omrežno napetost ali vrsto toka), pretirana ali nepravilna uporaba (kot n.pr. preobremenitev naprave ali uporaba nedovoljenih orodij ali pribora), neupoštevanje predpisov za vzdrževanje in varnostnih predpisov, vstop tujih predmetov v napravo (kot n.pr. pesek, kamenje ali prah), uporaba sile ali tuji vplivi (kot n.pr. poškodbe zaradi padca naprave) ter običajna obraba naprave zaradi uporabe. To velja še posebej za akumulatorje, za katere vendarle dajemo garancijski rok 12 mesecev.
- Veljavnost garancijskih zahtevkov ugasne, če so bili na npravi že izvajani posegi.
3. Garancijska doba znaša 3 leti in začne teči z dnevom nakupa naprave. Garancijske zahtevke morate uveljavljati pred potekom garancijske dobe v sveh tednih potem ko ste ugotovili napako. Uveljavljanje garancijskih zahtevkov po poteku garancijske dobe je izključeno. Popravilo ali zamenjava naprave ne privede do podaljšanja garancijske dobe, niti se ne postavi nova garancijska doba zaradi takšnih storitev ali zaradi eventualno vgrajenih nadomestnih delov. To velja tudi za servisne storitve na licu mesta.
  4. Za uveljavljanje Vašega garancijskega zahtevka nam pošljite pokvarjeno napravo brez poštnine na spodaj navedeni naslov. Priložite original računa ob nakupu ali drugo potrdilo kot dokazilo o nakupu z datumom nakupa. Zato prosimo, da dobro shranite račun kot dokazilo o nakupu! Prosimo, da nam po možnosti natančno opišete vzroke reklamacije. Če napaka izpolnjuje naše garancijske pogoje, boste nemudoma dobili nazaj popravljeno ali novo napravo.

Seveda bomo proti plačilu stroškov odpravili tudi napake na napravi, katere ne spadajo v obseg garancije ali jih garancija več ne zajema. V takšnem primeru prosimo, da pošljete napravo na naslov naše servisne službe.

**GMA-Elektromechanika d.o.o**  
Cesta Andreja Bitenca 115  
SLO 1000 Ljubljana  
Tel 01/5838304 · Fax 01/5183803



## Obsah

## Strana

1. Úvod .....	46
2. Bezpečnostní pokyny .....	46-50
3. Popis přístroje .....	50
4. Rozsah dodávky .....	50
5. Použití podle účelu určení .....	51
6. Technická data .....	51
7. Před uvedením do provozu .....	52
8. Obsluha .....	52-53
9. Čištění, údržba a objednání náhradních dílů .....	54
10. Likvidace a recyklace .....	54
11. Prohlášení o shodě .....	55
12. Záruční list .....	56

Dotisk nebo jiné rozmnožování dokumentace a průvodních dokumentů výrobků, také pouze výňatků, je přípustné výhradně se souhlasem firmy ISC GmbH.

44

Technické změny vyhrazeny



„Varování – Ke snížení rizika zranění si přečíst návod k obsluze“

CZ

## 1. Úvod

### ⚠ **Pozor!**

Při používání přístrojů musí být dodržována určitá bezpečnostní opatření, aby se zabránilo zraněním a škodám. Přečtěte si proto pečlivě tento návod k obsluze / bezpečnostní pokyny. Dobře si ho/je uložte, abyste měli tyto informace kdykoliv po ruce. Pokud předáte přístroj jiným osobám, předejte s ním prosím i tento návod k obsluze / bezpečnostní pokyny. Nepřebíráme žádné ručení za škody a úrazy vzniklé v důsledku nedodržování tohoto návodu k obsluze a bezpečnostních pokynů.

## 2. Bezpečnostní pokyny

### Všeobecné bezpečnostní pokyny pro elektrické nářadí

#### ⚠ **VAROVÁNÍ** Přečtěte si všechny bezpečnostní pokyny a instrukce.

Zanedbání při dodržování bezpečnostních pokynů a instrukcí mohou mít za následek úder elektrickým proudem, požár a/nebo těžká zranění.

#### **Všechny bezpečnostní pokyny a instrukce si uložte pro budoucí použití.**

V bezpečnostních pokynech používaný pojem „elektrické nářadí“ se vztahuje na elektrické nářadí napájené ze sítě (se síťovým kabelem) a na elektrické nářadí poháněné akumulátorem (bez síťového kabelu).

### 1. Bezpečnost pracoviště

- **Udržujte Vaše pracoviště čisté a dobře osvětlené.** Nepořádek nebo neosvětlené pracoviště může vést ke zraněním.
- **Neppracujte s elektrickým nářadím v oblastech ohrožených výbuchem, ve kterých se nacházejí hořlavé kapaliny, plyny nebo prachy.** Elektrické nářadí produkuje jiskry, které mohou prach nebo páry zapálit.
- **Během používání elektrického nářadí nepouštějte děti a jiné osoby do**

**blízkosti pracoviště.** Při rozptýlení byste mohli ztratit kontrolu nad přístrojem.

### 2. Elektrická bezpečnost

- **Zástrčka elektrického nářadí musí být pro zásuvku vhodná. Zástrčka nesmí být v žádném případě pozměňována. Nepoužívejte žádné adaptéry zástrček společně s elektrickým nářadím s ochranným uzemněním.** Nepozměňované zástrčky a vhodné zásuvky snižují riziko úderu elektrickým proudem.
- **Zabraňte tělesnému kontaktu s uzemněnými povrchy jako např. rourami, topení, sporáky a ledničkami.** Pokud je Vaše tělo uzemněno, existuje zvýšené riziko úderu elektrickým proudem.
- **Nevystavujte elektrická nářadí dešti a vlhku.** Vniknutí vody do elektrického přístroje zvyšuje riziko úderu elektrickým proudem.
- **Nepoužívejte kabel na účely, pro které není určen, jako např. na nošení a zavěšení elektrického nářadí nebo na vytáhnutí zástrčky ze zásuvky. Chraňte kabel před horkem, olejem, ostrými hranami nebo pohyblivými díly přístroje.** Poškozené nebo zamotané kabely zvyšují riziko úderu elektrickým proudem.
- **Pokud používáte elektrické nářadí na volném prostranství, používejte pouze prodlužovací kabely, které jsou vhodné pro venkovní použití.** Používání prodlužovacího kabelu schváleného pro venkovní použití snižuje riziko úderu elektrickým proudem.
- **Nelze-li se vyhnout provozu elektrického nářadí ve vlhkém prostředí, používejte ochranný vypínač proti chybnému proudu.** Použití ochranného vypínače proti chybnému proudu snižuje riziko úderu elektrickým proudem.

### 3. Bezpečnost osob

- **Bud'te pozorní, dbejte na to, co děláte a pracujte při práci s elektrickým nářadím rozumně. Nepoužívejte elektrické nářadí, pokud jste unaveni nebo pod vlivem drog, alkoholu nebo léků.** Moment nepozornosti může při používání elektrického nářadí vést k vážným zraněním.
- **Noste osobní ochranné vybavení a vždy ochranné brýle.** Nošení osobního ochranného vybavení, jako prachové masky, pevné neklouzavé obuvi, ochranné přilby nebo ochrany sluchu, podle druhu a použití elektrického nářadí, snižuje riziko zranění.
- **Vyhýbejte se neúmyslnému uvedení do provozu. Přesvědčte se, že je elektrické nářadí vypnuté, než ho připojíte na síť a/nebo akumulátor, uchopíte ho nebo ho ponese.** Pokud máte při nošení elektrického nářadí prst na vypínači nebo připojíte zapnutý přístroj na zásobování proudem, může to vést k úrazům.
- **Než elektrické nářadí zapnete, odstraňte nastavovací nástroje nebo klíče na šrouby.** Nářadí nebo klíč, který se nalézá v otáčející se části přístroje, může vést ke zraněním.
- **Vyhýbejte se abnormálnímu držení těla. Zajistěte bezpečný postoj a udržujte vždy rovnováhu.** Tím můžete elektrické nářadí v neočekávané situaci lépe kontrolovat.
- **Noste vhodné pracovní oblečení. Nenoste široké oblečení a šperky. Nedávejte vlasy, oděv a rukavice do blízkosti pohybujících se částí.** Volný oděv, šperky nebo dlouhé vlasy mohou být pohybujícími se částmi zachyceny.
- **Pokud mohou být namontována zařízení na odsávání prachu a zachytávání prachu, ujistěte se, že tyto jsou připojeny a správně používány.** Používání odsávání prachu může snížit riziko ohrožení prachem.

### 4. Použití a zacházení s elektrickým nářadím

- **Nepřetěžujte přístroj. Používejte pro práci určené elektrické nářadí.** S vhodným elektrickým nářadím pracujete lépe a bezpečněji v uvedeném rozsahu výkonu.
- **Nepoužívejte elektrické nářadí s defektním vypínačem.** Elektrické nářadí, které se nedá za- a vypnout je nebezpečné a musí být opraveno.
- **Vytáhněte zástrčku ze zásuvky a/nebo odstraňte akumulátor ještě před tím, než začnete provádět nastavení přístroje, vyměňovat části příslušenství nebo přístroj odložíte.** Toto bezpečnostní opatření zabraňuje neúmyslnému zapnutí elektrického nářadí.
- **Nepoužívané elektrické nářadí skladujte mimo dosah dětí. Nedovolte používat přístroj osobám, které nejsou s přístrojem obeznámeny nebo nečetly tyto pokyny.** Elektrické nářadí je nebezpečné, pokud je používáno nezkušenými osobami.
- **Elektrická nářadí pečlivě ošetřujte. Zkontrolujte, zda je v pořádku bezvadná funkce pohyblivých dílů, jestli neuvázly, zda nejsou zlomeny nebo poškozeny tak, že je omezena funkce elektrického nářadí. Před použitím přístroje nechte poškozené díly opravit.** Mnohé úrazy byly způsobeny chybnou údržbou elektrických nářadí.
- **Udržujte řezné nástroje ostré a čisté.** Řádně udržované řezné nástroje s ostrými ostřími méně vážnou a nechají se lépe vodit.
- **Používejte elektrické nářadí, příslušenství, přídatné přístroje atd. příslušně podle těchto pokynů. Zohledněte přitom pracovní podmínky a prováděnou činnost.** Používání elektrického nářadí na jiné účely, než na které je určeno, může vést k nebezpečným situacím.

## 5. Použití a zacházení s akumulátorovým nářadím

- **Nabíjejte akumulátor pouze v nabíječkách, které doporučuje výrobce.** U nabíječky, která je určená pro určitý druh akumulátorů, hrozí nebezpečí požáru, pokud se používá na jiný druh akumulátoru.
- **V elektrických nářadích používejte pouze k tomu určené akumulátory.** Použití jiných akumulátorů může vést ke zraněním a nebezpečí požáru.
- **Nepoužívaný akumulátor nedávejte do blízkosti kancelářských sponek, mincí, klíčů, hřebíků, šroubů nebo jiných malých kovových předmětů, které by mohly způsobit přemostění kontaktů.** Zkrat mezi kontakty akumulátoru může vést k popáleninám nebo vzniku požáru.
- **Při nesprávném použití může z akumulátoru vytéct tekutina. Vyhněte se kontaktu s ní. Při náhodném kontaktu opláchnout vodou. Pokud se tato tekutina dostane do očí, dodatečně vyhledejte také lékařskou pomoc.** Vytékající akumulátorová tekutina může vést k podráždění kůže a k popáleninám.

## 6. Servis

- **Nechte elektrické nářadí opravovat pouze kvalifikovaným odborným personálem a pouze za použití originálních náhradních dílů.** Tím je zabezpečeno, že zůstane zachována bezpečnost elektrického nářadí.

**Když provádíte práce, při kterých by mohl šroub nebo přídatný nástroj narazit na skrytá vedení elektrického proudu, držte přístroj za izolované části rukojetí.** Kontakt s vedeními pod napětím může uvést pod napětí také kovové díly přístroje a vést k úderu elektrickým proudem.

## Speciální bezpečnostní pokyny

Abychom Vám mohli nabídnout akumulátory s maximální koncentrací energie, dlouhou životností a bezpečností, věnujeme výrobě každého akumulátorového článku maximální pozornost. Akumulátorové články disponují vícestupňovým bezpečnostním zařízením. Každý jednotlivý článek je nejdříve formátován a jsou zaznamenány jeho elektrické charakteristické znaky. Tato data se poté využívají, aby bylo možné sestavit co nejlepší akumulátorové články. **Přes všechna bezpečnostní opatření je při manipulaci s akumulátory potřeba neustálá obezřetnost. Pro bezpečný provoz je nutné dodržovat následující body.**

**Bezpečný provoz je zaručen pouze s nepoškozenými články! Nesprávná manipulace vede k poškození článků.**

**Pozor!** Analýzy potvrzují, že hrubé nesprávné používání a nesprávná péče jsou hlavní příčinou poškození vysoce výkonných akumulátorů.

## Pokyny k akumulátoru

- Akumulátorový článek akumulátorového přístroje není při dodání nabit. Před prvním uvedením do provozu musí být proto akumulátor nabit.
- Pro optimální výkon akumulátoru se vyhněte cyklům hlubokého vybití! Nabíjejte Váš akumulátor často.
- Skladujte Váš akumulátor v chladnu, nejlépe při 15°C a alespoň na 40% nabitý.
- Lithium-ionové akumulátory podléhají přirozenému stárnutí. Nejpozději tehdy, když výkonnost akumulátoru odpovídá pouze 80% nového stavu, musí být akumulátor vyměněn. Oslabené články v starém akumulátorovém článku již nestačí vysokým výkonnostním požadavkům a představují tak bezpečnostní riziko.
- Použité akumulátory nevhazovat do otevřeného ohně. Nebezpečí výbuchu!
- Akumulátor nezapalovat nebo nevystavovat hoření.
- **Akumulátory hluboce nevybíjet!** Hluboké vybití poškozuje akumulátorové



články. Nejčastější příčinou pro hluboké vybití akumulátorových článků je dlouhé skladování resp. nepoužívání hluboce vybitého akumulátoru. Jakmile výkon znatelně klesne nebo zareaguje ochranná elektronika, ukončete práci. Akumulátor uskladněte teprve po úplném nabití.

- **Akumulátory resp. přístroj chránit před přetížením!**

Přetížení vede rychle k přehřátí a poškození článků uvnitř krytu akumulátoru, aniž by přehřátí vyšlo povrchově najevo.

- **Zabraňte poškozením a nárazům!**

Vyměňte neprodleně akumulátory, které Vám spadly z výšky více než jednoho metru nebo byly vystaveny silným nárazům, i když kryt akumulátorového článku vypadá nepoškozeně. Akumulátorové články mohou být uvnitř vážně poškozeny. Dodržujte také pokyny k likvidaci.

- Při přetížení a přehřátí se z bezpečnostních důvodů přístroj vypne pomocí integrovaného ochranného vypínání. **Pozor!** Nezapínejte za-/vypínač, pokud ochranné vypínání vypnulo přístroj. To může vést ke škodám na akumulátoru.
- Používejte pouze originální akumulátory. Použití jiných akumulátorů může vést ke zraněním; výbuchu a nebezpečí požáru.

#### **Pokyny k nabíječce a nabíjení**

- Nepoužívejte dodanou nabíječku k nabíjení baterií, které nejsou znovu nabíjitelné.
- Dodržujte data uvedená na typovém štítku nabíječky. Nabíječku připojte pouze na síťové napětí uvedené na typovém štítku.
- Chraňte nabíječku a vedení před poškozením a ostrými hranami. Poškozené kabely musí být neprodleně vyměněny odborným elektrikářem.
- Nabíječka není určena k tomu, aby ji obsluhovaly osoby (včetně dětí) s omezenými fyzickými, sensorickými nebo duševními schopnostmi nebo s nedostatkem zkušeností a/nebo s nedostatkem znalostí, ledaže by byly pod dohledem osoby odpovědné za jejich bezpečnost nebo od ní obdržely pokyny, jak přístroj používat.
- Děti by měly být pod dohledem, aby bylo

zaručeno, že si nebudou s přístrojem hrát.

- Nepoužívat poškozené nabíječky.
- Nepoužívejte dodanou nabíječku k nabíjení jiných akumulátorových přístrojů.
- Při velkém namáhání se akumulátorový článek zahřívá. Nechte akumulátorový článek před začátkem nabíjení ochladit na pokojovou teplotu.
- **Akumulátory nepřebíjet!**  
Dodržujte maximální doby nabíjení. Tyto doby nabíjení platí pouze pro vybité akumulátory. Opakované zapojení nabitého nebo částečně nabitého akumulátoru vede k přebití a poškození článků. Nenechávat akumulátory několik dní zasunuté v nabíječce.
- **Nikdy nepoužívejte a nenabíjejte akumulátory, o kterých se domníváte, že jejich poslední nabíjení proběhlo před více než 12 měsíci.** Je velká pravděpodobnost, že akumulátor je již nebezpečně poškozen (hluboké vybití).
- Nabíjení při teplotě nižší než 10°C vede k chemickému poškození článků a může vést k požáru.
- Nepoužívejte akumulátory, které se během nabíjení zahřály, protože by akumulátorové články mohly být nebezpečně poškozeny.
- Nepoužívejte již akumulátory, které jsou vypouklé nebo zdeformované, nebo vykazovaly jiné netypické příznaky při nabíjení (tvorba plynu, praskání, syčení, ...).
- Akumulátor úplně nevybíjejte (doporučená hloubka vybití max. 80%). Úplné vybití vede k předčasnému stárnutí akumulátorových článků.
- Baterie nikdy nenabíjet bez dozoru!

#### **Ochrana před vnějšími vlivy**

- Noste vhodné pracovní oblečení. Nosit ochranné brýle.
- **Chraňte Váš akumulátor a nabíječku před vlhkostí a deštěm.** Vlhkost a déšť mohou vést k nebezpečnému poškození článků.
- Akumulátorový přístroj a nabíječku nepoužívat v oblasti par a hořlavých kapalin.
- Nabíječku a akumulátorové přístroje používat pouze v suchém stavu a při teplotě okolí od 10-40°C.

**CZ**

- Akumulátor neskladujte na místech, kde teplota může dosáhnout více než 40° C, obzvláště ne v autě zaparkovaném na slunci.
- **Akumulátory chránit před přehřátím!** Přetížení, přebíjení nebo přímé sluneční záření vede k přehřátí a poškození článků. Nenabíjejte nebo nepracujte v žádném případě s akumulátory, které byly přehřáté - tyto neprodleně vyměňte.
- **Skladování akumulátorů, nabíječek a akumulátorového přístroje.** Nabíječku a Váš akumulátorový přístroj skladujte pouze v suchých místnostech s teplotou okolí od 10-40°C. Skladujte lithium-ionový akumulátor v chladnu a v suchu při 10-20°C. Chránit před vlhkostí vzduchu a přímým slunečním zářením! Akumulátory skladovat pouze v nabitěm stavu (min. 40% nabitě).
- Zabraňte tomu, aby lithium-ionový akumulátor zamrzl. Akumulátory, které byly skladovány déle než 60 minut pod 0°C, musí být zlikvidovány.
- Dávejte pozor při manipulaci s akumulátory co se týče elektrostatického náboje: elektrostatické výboje vedou k poškození ochranné elektroniky a akumulátorových článků! Zabraňte proto elektrostatickému nabití a nikdy se nedotýkejte pólů akumulátoru!

spojeny s přístrojem, zaslat celý akumulátorový přístroj. Pouze tam je výrobcem zaručena odborná likvidace.

**Dbejte při zaslání nebo likvidaci akumulátoru resp. akumulátorového přístroje na to, aby byly zabaleny jednotlivě v plastovém sáčku, aby se zabránilo zkratům nebo vzniku požáru!**

**Bezpečnostní pokyny si dobře uložte.**

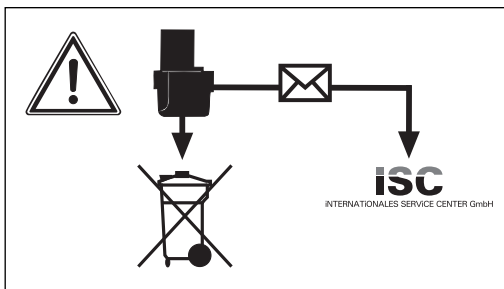
### 3. Popis přístroje (obr. 1)

1. Upínání bitů
2. LED světlo
3. Blokovací tlačítko
4. Za-/vypínač světla
5. Indikace kapacity akumulátoru
6. Tlačítko indikace kapacity akumulátoru
7. Kontrolka nabíjení
8. Připojka nabíjení
9. Za-/vypínač
10. Přepínač levý/pravý chod
11. Nabíječka
12. Nabíjecí kabel
13. Nastavení točivého momentu
14. Upínací hlava

### 4. Rozsah dodávky

Všechny díly z balení vyjměte a zkontrolujte jejich úplnost.

- Akumulátorový šroubovák PASS 3.6 A1
- Nabíječka
- 26 bitů
- Držák bitů
- Kufr
- Návod k obsluze



Akumulátory a akumulátory poháněné elektrické přístroje obsahují materiály nebezpečné životnímu prostředí.

Akumulátorové přístroje nedávat do domovního odpadu. V případě defektu nebo opotřebování přístrojů akumulátor vyjmout a zaslat firmě iSC GmbH, Eschenstraße 6, D-94405 Landau, Německo, nebo pokud jsou neodělitelné

## 5. Použití podle účelu určení

Akumulátorový šroubovák je vhodný na utahování a povolování šroubů.

Přístroj smí být používán pouze podle svého účelu určení. Každé další, toto překračující použití, neodpovídá použití podle účelu určení. Za z toho vyplývající škody nebo zranění všeho druhu ručí uživatel/obsluhující osoba a ne výrobce.

Dbejte prosím na to, že naše přístroje nebyly podle svého účelu určení konstruovány pro živnostenské, řemeslnické nebo průmyslové použití. Nepřebíráme žádné ručení, pokud je přístroj používán v živnostenských, řemeslných nebo průmyslových podnicích a při srovnatelných činnostech.

## 6. Technická data

Zdroj napětí motoru:	3,6 V d.c.
Otáčky chodu naprázdno:	200 min <sup>-1</sup>
Pravý - levý chod:	ano
Výstupní napětí nabíječky:	6,8 V d.c.
Výstupní proud nabíječky:	550 mA
Síťové napětí nabíječky:	230 V~ 50 Hz
Doba nabíjení:	3 hod.
Typ akumulátoru:	Li-Ion/1,5 Ah
Hmotnost:	0,4 kg
Třída LED	1

## Hluk a vibrace

Hluk a vibrace změřeny podle normy EN 60745.

Hladina akustického tlaku $L_{pA}$	62 dB(A)
Nejistota $K_{pA}$	3 dB
Hladina akustického výkonu $L_{WA}$	73 dB(A)
Nejistota $K_{WA}$	3 dB

### Noste ochranu sluchu.

Působení hluku může způsobit ztrátu sluchu.

Hodnoty celkových vibrací (vektorový součet tří směrů) změřeny podle normy EN 60745.

### Šroubování bez přiklepu

Emisní hodnota vibrací  $a_h \leq 2,5 \text{ m/s}^2$

Nejistota  $K = 1,5 \text{ m/s}^2$

### Varování!

Uvedená emisní hodnota vibrací byla změřena podle normované zkušební metody a může se měnit v závislosti na druhu a způsobu použití elektrického přístroje, a ve výjimečných případech se může nacházet nad uvedenou hodnotou.

Uvedená emisní hodnota vibrací může být použita ke srovnání jednoho elektrického přístroje s jinými přístroji.

Uvedená emisní hodnota vibrací může být také použita k úvodnímu posouzení negativních vlivů.

### Omezte tvorbu hluku a vibrace na minimum!

- Používejte pouze přístroje v bezvadném stavu.
- Pravidelně provádějte údržbu a čištění přístroje.
- Přizpůsobte Váš způsob práce přístroji.
- Nepřetěžujte přístroj.
- V případě potřeby nechte přístroj zkontrolovat.
- Přístroj vypněte, pokud ho nepoužíváte.
- Noste rukavice.

CZ

## 7. Před uvedením do provozu

### ⚠ **Pozor!**

Před uvedením akumulátorového šroubováku do provozu si bezpodmínečně přečtěte tyto pokyny:

1. Nabíjejte akumulátor pouze dodanou nabíječkou (11).
2. Používat pouze bezvadné a vhodné bity.
3. Při šroubování do stěn a zdí zkontrolovat, zda se tam nenachází skryté elektrické, plynové a vodovodní vedení.

## 8. Obsluha

### 8.1 Nabíjení akumulátoru (obr. 1)

Akumulátor je chráněn proti hlubokému vybití. Integrované ochranné vypínání přístroj automaticky vypne, pokud je akumulátor vybitý. Upínání bitů (1) se v tomto případě dále netočí.

### ⚠ **Pozor!**

Nezapínejte za-/vypínač (9), pokud ochranné vypínání vypnulo přístroj. To může vést ke škodám na akumulátoru.

1. Porovnejte, zda souhlasí síťové napětí uvedené na typovém štítku se síťovým napětím, které je k dispozici. Zastrčte nabíječku (11) do zásuvky a spojte nabíjecí kabel (12) s přípojkou nabíjení (8). Nabíjení začne, jakmile je nabíjecí kabel spojen s přípojkou nabíjení.
2. Kontrolka nabíjení (7) signalizuje, že je akumulátor nabíjen.
3. Po úspěšném nabíjení kontrolka nabíjení (7) zhasne.

### ⚠ **Pozor!**

Během nabíjení se může rukojeť trochu zahřát, toto je však normální.

Pokud by nabíjení akumulátoru nebylo možné, zkontrolujte

- zda je v zásuvce síťové napětí
- zda je bezvadný kontakt na nabíjecích kontaktech nabíječky (11).

Pokud by ještě stále nabíjení nebylo možné, prosíme Vás, abyste

- nabíječku (11)
- a šroubovák

poslali na náš zákaznický servis.

V zájmu dlouhé životnosti akumulátoru byste se měli starat o včasné nabití akumulátoru. Toto je v každém případě třeba tehdy, když zjistíte, že výkon akumulátorového šroubováku klesá.

### 8.2 Přepínač levý/pravý chod

(obr. 2/pol. 10)

Pomocí přepínače levý/pravý chod (10) nad za-/vypínačem (9) můžete nastavit směr otáčení akumulátorového šroubováku a zajistit ho proti nechtěnému zapnutí. Můžete zvolit mezi levým a pravým chodem.

### ⚠ **Pozor!**

Aby se zabránilo poškození převodovky, mělo by být přepínání směru otáčení prováděno pouze ve vypnutém stavu. Nachází-li se přepínač levý/pravý chod (10) v středové poloze, je za-/vypínač (9) blokován.

### Směr chodu

Pravý chod  
Levý chod

### Poloha spínače

Stlačeno "R"  
Stlačeno "L"

### 8.3 Za-/vypínač (obr. 2/pol. 9)

Na zapnutí akumulátorového šroubováku stlačte za-/vypínač (9).

Na zastavení opět pusťte za-/vypínač.

### 8.4 LED světlo (obr. 1/pol. 2)

LED světlo (2) umožňuje osvětlení místa šroubování při nepříznivých světelných poměrech. Na zapnutí stlačte za-/vypínač (4), na vypnutí stlačte za-/vypínač (4) znovu.

**8.5 Nastavení rukojeti (obr. 1,2/pol. 3)**

Šroubovák může být zaaretován ve 2 různých nastaveních rukojeti. K tomu musí být stlačeno blokovací tlačítko (3) a šroubovák otočen do požadované polohy. Poté blokovací tlačítko (3) opět pustit.

**⚠ Pozor!**

Před uvedením do provozu zkontrolovat, zda je šroubovák zaaretován v příslušné poloze rukojeti.

**8.6 Indikace kapacity akumulátoru (obr. 4/pol. 5)**

Stiskněte tlačítko indikace kapacity akumulátoru (6). Indikace kapacity akumulátoru (5) signalizuje stav nabití akumulátoru pomocí 3 barevných LED.

**Všechny LED svítí:**

Akumulátor je kompletně nabitý.

**Žlutá a červená LED svítí:**

Akumulátor disponuje dostatečným zbytkovým nabitím.

**Červená LED:**

Akumulátor je prázdný, akumulátor znovu nabijte.

**8.7 Výměna nástroje (obr. 5)****⚠ Pozor!**

Při všech pracích na akumulátorovém šroubováku (např. výměna nástroje; údržba; atd.) nastavte přepínač levý/pravý chod (10) do středové polohy.

- Upínací hlavu (14) posunout dozadu a pevně držet.
- Bit (a) zastrčit do upínání bitů (1), upínací hlavu (14) pustit.
- Blokování zkontrolujte zatáhnutím za nástroj.
- Na vyjmutí bitů (a) posunout upínací hlavu (14) dozadu a pevně držet.
- Bit (a) vyjmout a upínací hlavu (14) pustit.

**8.8 Nastavení točivého momentu (obr. 1/pol. 13)****⚠ Pozor!**

Točivý moment nastavit pouze ve vypnutém stavu. Akumulátorový šroubovák je vybaven mechanickým nastavováním točivého momentu.

Točivý moment pro určitou velikost šroubu se nastaví na nastavení točivého momentu (13). Potřebný točivý moment je závislý na několika faktorech:

- Na druhu a tvrdosti zpracovávaného materiálu.
- Na druhu a délce použitých šroubů.
- Na požadavcích, které jsou stanoveny pro pevnost šroubového spoje.

Dosažení točivého momentu je signalizováno spuštěním spojky.

**8.9 Šroubování**

Použijte nejlépe šrouby se samočinným centrováním (např. šrouby Torx, s křížovou drážkou), které zaručují bezpečnou práci. Dbejte na to, aby tvar a velikost použitého bitu a šroubu souhlasily.

**8.10 Přetížení šroubováku**

Pokud je šroubovák přetížen, ochranné vypínání přístroj vypne. Po několika vteřinách může být šroubovák opět používán.

CZ

## 9. Čištění, údržba a objednání náhradních dílů

### ⚠ Pozor!

Před všemi čistícími pracemi vytáhněte síťovou zástrčku.

### 9.1 Čištění

- Udržujte bezpečnostní zařízení, větrací otvory a kryt motoru tak prosté prachu a nečistot, jak jen to je možné. Otřete přístroj čistým hadrem nebo ho profoukněte stlačeným vzduchem při nízkém tlaku.
- Doporučujeme přímo po každém použití přístroj vyčistit.
- Pravidelně přístroj čistěte vlhkým hadrem a trochou mazlavého mýdla. Nepoužívejte čistící prostředky nebo rozpouštědla; tyto by mohly narušit plastové díly přístroje. Dbejte na to, aby se do přístroje nedostala voda.

### 9.2 Údržba

Uvnitř přístroje se nevyskytují žádné další díly vyžadující údržbu.

### 9.3 Objednání náhradních dílů:

Při objednávce náhradních dílů je třeba uvést následující údaje:

- Typ přístroje
- Číslo artiklu přístroje
- Identifikační číslo přístroje

Aktuální ceny a informace naleznete na [www.isc-gmbh.info](http://www.isc-gmbh.info)

## 10. Likvidace a recyklace

Přístroj je uložen v balení, aby bylo zabráněno poškození při přepravě. Toto balení je surovina a tím znovu použitelné nebo může být dáno zpět do cirkulace surovin. Přístroj a jeho příslušenství jsou vyrobeny z rozdílných materiálů, jako např. kov a plasty. Defektní součástky odevzdejte k likvidaci zvláštních odpadů. Zeptejte se v odborné prodejně nebo na místním zastupitelství!



Jen pro země EU

Elektrické nářadí a přístroje neodhazujte do domovního odpadu!

Podle evropské směrnice 2002/96/ES o odpadních elektrických a elektronických zařízeních (OEEZ) a při prosazování národního práva musí být spotřebované elektrické nářadí sbíráno samostatně a musí být dopraveno do odpovídajícího ekologického recyklačního závodu.

Alternativa recyklace k výzvě na zpětné odeslání výrobku:

Vlastník elektrického přístroje je povinen alternativně namísto zpětného odeslání zařízení spolupůsobit při jeho správném zužitkování v případě, že se vzdá jeho vlastnictví. Starý přístroj lze v takovém případě odevzdat také ve sběrně, která provede odstranění ve smyslu národního zákona o recyklaci a odpadech. Tyto předpisy se nevztahují na díly příslušenství a pomocné prostředky bez elektrických součástí přidané ke starým přístrojům.

## 11. Prohlášení o shodě

Einhell Germany AG · Wiesenweg 22 · D-94405 Landau/Isar



## Konformitätserklärung

- erklärt folgende Konformität gemäß EU-Richtlinie und Normen für Artikel  
 explains the following conformity according to EU directives and norms for the following product  
 déclare la conformité suivante selon la directive CE et les normes concernant l'article  
 dichiara la seguente conformità secondo la direttiva UE e le norme per l'articolo  
 verklaart de volgende overeenstemming conform EU richtlijn en normen voor het product  
 declara la siguiente conformidad a tenor de la directiva y normas de la UE para el artículo  
 declara a seguinte conformidade, de acordo com a directiva CE e normas para o artigo  
 atterer følgende overensstemmelse i medfør af EU-direktiv samt standarder for artikel  
 förklarar följande överensstämmelse enl. EU-direktiv och standarder för artikeln  
 vakuuttaa, että tuote täyttää EU-direktiivin ja standardien vaatimukset  
 tõendab toote vastavust EL direktiivile ja standarditele  
 vydává následující prohlášení o shodě podle směrnice EU a norem pro výrobek  
 potrjuje sledečo skladnost s smernico EU in standardi za izdelek  
 vydáva nasledujúce prehlásenie o zhode podľa smernice EÚ a noriem pre výrobok  
 a cikkekhez az EU-irányvonal és Normák szerint a következő konformitást jelenti ki  
 deklaruje zgodność wymienionego poniżej artykułu z następującymi normami na podstawie dyrektywy WE.  
 декларира съответното съответствие съгласно Директива на ЕС и норми за артикул  
 paskaidro šādu atbilstību ES direktīvai un standartiem  
 arībūdina šj atitikimą EU reikalavimams ir prekės normoms  
 declară următoarea conformitate conform directivei UE și normelor pentru articolul  
 δηλώνει την ακόλουθη συμμόρφωση σύμφωνα με την Οδηγία ΕΚ και τα πρότυπα για το προϊόν  
 potvrđuje sljedeću usklađenost prema smjernicama EU i normama za artikl  
 Izjava o sukladnosti za ovaj proizvod dostupna je na internet stranici www.lidl.hr.  
 potvrđuje sljedeću usklađenost prema smjernicama EU i normama za artikl  
 potvrđuje sledeću usklađenost prema smernicama EZ i normama za artikl  
 следующим удостоверяется, что следующие продукты соответствуют директивам и нормам ЕС  
 проголошує про зазначену нижче відповідність виробу директивам та стандартам ЄС на виріб  
 Ürünü ile ilgili AB direktifleri ve normları gereğince aşağıda açıklanan uygunluğu belirtir  
 erklærer følgende samsvar i henhold til EU-direktivet og standarder for artikkel  
 Lýsir uppfyllingu EU-reglna og annarra staða vöru

## Akkuschrauber PASS 3,6 A1 / Ladegerät LG PASS 3,6 A1 (Parkside)

- 87/404/EC\_2009/105/EC  
 2005/32/EC\_2009/125/EC  
 2006/95/EC  
 2006/28/EC  
 2004/108/EC  
 2004/22/EC  
 1999/5/EC  
 97/23/EC  
 90/396/EC\_2009/142/EC  
 89/686/EC\_96/58/EC  
 2011/65/EC  
 2006/42/EC  
 Annex IV  
 Notified Body:  
 Notified Body No.:  
 Reg. No.:  
 2000/14/EC\_2005/88/EC  
 Annex V  
 Annex VI  
 Noise: measured  $L_{WA}$  = dB (A); guaranteed  $L_{WA}$  = dB (A)  
 P = KW; L/Ø = cm  
 Notified Body:  
 2004/26/EC  
 Emission No.:

Standard references: EN 60745-1; EN 60745-2-2; EN 55014-1;  
EN 55014-2; EN 60335-1; EN 60335-2-29; EN 61000-3-2; EN 61000-3-3

Landau/Isar, den 22.09.2011

Weichselgartner/General Manager

Unger/Product-Management

First CE: 08  
Art.-No.: 45.134.24 I.-No.: 11031  
Subject to change without notice

Archive-File/Record: NAPR004730  
Documents registrar: Georg Riedel  
Wiesenweg 22, D-94405 Landau/Isar

# 12. ZÁRUČNÍ LIST

## Vážená zákaznice, vážený zákazníku,

naše výrobky podléhají přísné kontrole kvality. Pokud i přesto tento přístroj bezvadně nefunguje, velice toho litujeme a prosíme Vás, abyste se obrátili na náš zákaznický servis, jehož adresa je uvedena na tomto záručním listu. Rádi Vám budeme k dispozici také telefonicky na níže uvedeném servisním čísle. Pro uplatňování nároků na záruku platí následující:

1. Tyto záruční podmínky upravují dodatečný záruční servis. Vašich zákonných nároků na záruku se tato záruka netýká. Náš záruční servis je pro Vás bezplatný.
2. Záruční servis se vztahuje výhradně na nedostatky, které lze odvodit z vad materiálu nebo výrobních vad a je také omezen pouze na odstranění těchto nedostatků, resp. výměnu přístroje. Dbejte prosím na to, že naše přístroje nebyly podle svého účelu určeny konstruovány pro živnostenské, řemeslnické nebo průmyslové použití. Záruční smlouva tak není realizována, pokud byl přístroj používán v živnostenských, řemeslných nebo průmyslových podnicích a při srovnatelných činnostech. Z naší záruky je dále vyloučeno poskytnutí náhrady za dopravní škody, škody způsobené nedodržením montážního návodu nebo z důvodů neodborné instalace, nedodržení návodu k použití (jako např. připojení na chybné síťové napětí nebo druh proudu), nedovoleného nebo neodborného používání (jako např. přetížení přístroje nebo použití neschválených vložných nástrojů nebo příslušenství), nedodržení pokynů pro údržbu a bezpečnostních pokynů, vniknutí cizích těles do přístroje (jako např. písek, kameny nebo prach), použití násilí nebo poškození v důsledku cizích vlivů (jako např. škody způsobené pádem), jakož také běžného opotřebení způsobeného používáním. To platí obzvláště pro akumulátory, na které přesto poskytujeme záruční lhůtu 12 měsíců.

Nárok na záruku zaniká, pokud bylo do přístroje již zasahováno.

3. Záruční doba činí 3 roky a začíná datem koupě přístroje. Nároky na záruku před vypršením záruční doby je třeba uplatňovat během dvou týdnů od zjištění defektu. Uplatňování nároků na záruku po vypršení záruční doby je vyloučeno. Oprava nebo výměna přístroje nevede k prodloužení záruční doby, ani k zahájení nové záruční doby za provedený výkon pro přístroj nebo pro případné zamontované náhradní díly. Toto platí také v případě servisu v místě Vašeho bydliště.
4. Při uplatňování Vašeho nároku na záruku zašlete prosím přístroj bez poštovního na níže uvedenou adresu. Přiložte originál prodejního dokladu nebo jiného datovaného potvrzení o koupi. Pokladní lístek si proto dobře uložte jako důkaz! Popište nám prosím pokud možno přesně důvod reklamace. Je-li defekt přístroje v našem záručním servisu obsažen, obdržíte obratem opravený nebo nový přístroj.

Samozřejmě rádi za úhradu nákladů odstraníme defekty na přístroji, které nespádají nebo již nespádají do rozsahu záruky. K tomu nám přístroj prosím zašlete na naši servisní adresu.

**Einhell UNICORE s.r.o.**

Holečkova 4

360 17 Karlovy Vary - CZ

Tel.: 00420 353 440 218 · Fax: 00420 359 607 223



<b>Obsah</b>	<b>Strana</b>
1. Úvod .....	59
2. Bezpečnostné pokyny .....	59-63
3. Popis prístroja .....	64
4. Obsah dodávky .....	64
5. Správne použitie .....	64
6. Technické údaje .....	64-65
7. Pred uvedením do prevádzky .....	65
8. Obsluha .....	65-67
9. Čistenie, údržba a objednanie náhradných dielov .....	67
10. Likvidácia a recyklácia .....	67-68
11. Vyhlásenie o zhode .....	69
12. Záručný list .....	70

Kopírovanie alebo iné rozmnožovanie dokumentácie a sprievodných podkladov produktov, a to aj čiastočné, je prípustné len s výslovným povolením spoločnosti ISC GmbH.

Technické zmeny vyhradené



„Upozornenie - Aby ste znížili riziko poranenia, prečítajte si návod na obsluhu “

## 1. Úvod

### ⚠ Pozor!

Pri používaní prístrojov sa musia dodržiavať príslušné bezpečnostné opatrenia, aby bolo možné zabrániť prípadným zraneniam a vecným škodám. Preto si starostlivo prečítajte tento návod na obsluhu / bezpečnostné pokyny. Následne ich starostlivo uschovajte, aby ste mali vždy k dispozícii potrebné informácie.

V prípade, že budete prístroj požičiavať tretím osobám, prosím odovzdajte im spolu s prístrojom tento návod na obsluhu / bezpečnostné pokyny. Nepreberáme žiadne ručenie za nehody ani škody, ktoré vzniknú nedodržaním tohto návodu na obsluhu a bezpečnostných pokynov.

## 2. Bezpečnostné pokyny

### Všeobecné bezpečnostné predpisy pre elektrické nástroje

#### ⚠ VÝSTRAHA Prečítajte si všetky bezpečnostné predpisy a pokyny.

Nedostatky pri dodržovaní bezpečnostných predpisov a pokynov môžu mať za následok úraz elektrickým prúdom, vznik požiaru a/alebo ťažké poranenia.

**Všetky bezpečnostné predpisy a pokyny si odložte pre budúce použitie.**

V bezpečnostných predpisoch uvádzaný pojem „elektrický nástroj“ sa vzťahuje na sieťové elektrické nástroje (so sieťovým elektrickým káblom) a na akumulátorové elektrické nástroje (bez sieťového elektrického kábla).

#### 1. Bezpečnosť pracoviska

- **Udržujte Vaše pracovisko vždy v čistom stave a dobre osvetlené.** Neporiadok alebo neosvetlené pracovné oblasti môžu mať za následok vznik úrazu.
- **Nepracujte tento elektrický nástroj v prostredí s nebezpečenstvom explózie, kde sa nachádzajú horľavé tekutiny,**

**plyny alebo prach.** Elektrické nástroje vytvárajú iskry, ktoré by mohli zapáliť prach alebo výpary.

- **Zabráňte prístup deťom a iným cudzím osobám do Vašej pracovnej oblasti počas práce s elektrickým nástrojom.** V prípade, že budete vyrušovaný, môžete stratiť kontrolu nad prístrojom.

#### 2. Elektrická bezpečnosť

- **Prípojná zástrčka elektrického nástroja musí správne pasovať do zásuvky. Zástrčka sa nesmie v žiadnom prípade prispôsobovať resp. meniť. Nikdy nepoužívajte adaptérovú zástrčku spolu s chránenými uzemnenými elektrickými nástrojmi.** Nezmenené zástrčky a správne zásuvky znižujú riziko úrazu elektrickým prúdom.
- **Zabráňte telesnému dotyku s uzemnenými povrchmi, ako napríklad potrubnými rúrami, radiátormi, pecami a chladničkami.** V prípade, že je Vaše telo uzemnené, existuje zvýšené riziko úrazu elektrickým prúdom.
- **Nevystavujte elektrické nástroje dažďu ani vlhkému prostrediu.** Vniknutie vody do elektrického prístroja zvyšuje riziko úrazu elektrickým prúdom.
- **Nepoužívajte kábel na to, aby ste na ňom nosili zavesený elektrický nástroj, vešali nástroj za kábel alebo aby ste ním vyťahovali zástrčku zo zásuvky. Chráňte elektrický kábel pred teplom, olejom a ostrými hranami alebo pred pohyblivými časťami prístroja.** Poškodené alebo zamotané káble zvyšujú riziko úrazu elektrickým prúdom.
- **V prípade, že pracujete s elektrickým nástrojom vo vonkajšom prostredí, používajte vždy len také predlžovacie káble, ktoré sú vhodné pre použitie vo vonkajšom prostredí.** Použitie predlžovacieho kábla vhodného pre použitie vo vonkajšom prostredí znižuje riziko úrazu elektrickým prúdom.
- **Ak nie je možné zabrániť použitiu elektrického nástroja vo vlhkom prostredí, používajte pripojenie cez**

**SK**

**prúdový chránič.** Použitie pripojenia s prúdovým chráničom znižuje riziko úrazu elektrickým prúdom.

### 3. Bezpečnosť osôb

- **Buďte vždy pozorný, dbajte na to, čo práve robíte a postupujte pri práci s elektrickým nástrojom rozumne. Nepoužívajte elektrický nástroj, ak ste pri práci unavený alebo ste pod vplyvom drog, alkoholu alebo liekov.** Jeden moment nepozornosti pri používaní elektrického nástroja môže viesť k vážnym poraneniám.
- **Vždy noste osobné ochranné vybavenie a vždy ochranné okuliare.** Používanie osobného ochranného vybavenia, ako je ochranná maska proti prachu, protišmyková bezpečnostná obuv, ochranná prilba alebo ochrana sluchu, podľa príslušného spôsobu použitia daného elektrického nástroja, znižuje riziko zranenia.
- **Zabráňte samovoľnému uvedeniu do prevádzky. Zabezpečte, aby bol elektrický nástroj vypnutý pred tým, než ho zapojíte na elektrický zdroj a/alebo vložíte akumulátor, ako aj pred zdvíhaním alebo prenášaním nástroja.** V prípade, že máte pri prenášaní elektrického nástroja prsty na vypínači alebo že zapojujete prístroj s aktivovaným spínačom do elektrickej siete, môže to viesť k nehodám.
- **Pred zapnutím elektrického nástroja odstráňte z neho všetky nastavovacie náradia alebo skrutkovače.** Náradie alebo kľúč, ktorý by sa nachádzal na rotujúcej časti prístroja, by mohol spôsobiť zranenie.
- **Vystríhajte sa abnormálneho držania tela. Postarajte sa o bezpečný postoj pri práci a dbajte neustále na rovnováhu.** Len tak môžete elektrický nástroj lepšie kontrolovať pri neočakávaných situáciách.
- **Pri práci používajte vhodný odev. Nenoste pri práci s nástrojom voľné oblečenie ani šperky. Chráňte svoje vlasy, odev a rukavice pred kontaktom s točiacimi sa dielmi nástroja.** Voľné

oblečenie, šperky alebo dlhé vlasy môžu byť zachytené točiacimi sa dielmi nástroja.

- **Keď sa na nástroj môžu namontovať prípravky na odsávanie prachu a na zachytávanie prachu, presvedčte sa o tom, že sú tieto prípravky zapojené a že sa správne používajú.** Použitie odsávania prachu môže znížiť ohrozenie prachom.
- ### 4. Použitie a zaobchádzanie s elektrickým nástrojom
- **Prístroj nepreťažujte. Pre svoju prácu vždy používajte správny elektrický nástroj.** Práca s vhodným elektrickým nástrojom je dôkladnejšia a bezpečnejšia v rozmedzí uvedenej oblasti výkonu.
  - **Nepoužívajte také elektrické nástroje, ktoré majú defektný vypínač.** Elektrické nástroje, na ktorých nie je možné vypnúť a zapnúť ich vypínač, sú nebezpečné a musia byť opravené.
  - **Vytiahnite zástrčku von zo zásuvky a/alebo vyberte von akumulátor predtým, než budete vykonávať nastavenia na prístroji, vymieňať diely príslušenstva alebo ak chcete prístroj odložiť.** Toto bezpečnostné opatrenie zabráni samovoľnému zapnutiu elektrického nástroja.
  - **Nepoužívané elektrické nástroje skladujte mimo dosahu detí. Nedovoľte, aby používali prístroj také osoby, ktoré nie sú oboznámené s prístrojom alebo nečítali tieto pokyny.** Elektrické nástroje sú nebezpečné, keď sú používané neskusenými osobami.
  - **Elektrické nástroje dôkladne ošetrte. Skontrolujte, či je funkcia všetkých pohyblivých dielov bezchybná a či nedochádza k ich blokovaniu, či nie sú diely polámané alebo poškodené, resp. či nie je ovplyvnená správna funkcia elektrického nástroja. Nechajte poškodené diely pred použitím prístroja opraviť.** Mnohé úrazy boli spôsobené nesprávnou údržbou elektrických nástrojov.
  - **Udržujte Vaše rezacie nástroje vždy ostré a vo vyčistenom stave.** Starostlivo

ošetrované rezacie nástroje s ostrými reznými hranami sa menej zasekávajú a je možné ich ľahšie viesť.

- **Používajte elektrický prístroj, príslušenstvo a výmenné nástroje atď. v súlade s príslušnými pokynmi. Berte pritom ohľad na konkrétne pracovné podmienky a činnosť, ktorá sa má vykonať.** Použitie elektrických nástrojov na iné účely ako na tie, na ktoré boli určené, môže viesť k vážnym nebezpečným situáciám.

#### 5. Použitie a zaobchádzanie s akumulátorovým nástrojom

- **Akumulátory nabíjajte len v nabíjačkách, ktoré sú odporúčané výrobcom.** V prípade použitia nabíjačky, ktorá je určená pre určitý druh akumulátorov, hrozí nebezpečenstvo požiaru, ak sa nabíjačka používa na iné akumulátory.
- **Používajte v elektrických nástrojoch len také akumulátory, ktoré sú na to určené.** Použitie iných akumulátorov môže viesť k zraneniam a nebezpečenstvu požiaru.
- **Akumulátor, ktorý sa momentálne nepoužíva, sa nesmie dostať do kontaktu s kancelárskymi sponkami, mincami, kl'účmi, klincami, skrutkami ani inými malými kovovými predmetmi, ktoré by mohli spôsobiť premostenie kontaktov.** Skrat medzi kontaktmi akumulátora môže viesť k popáleninám alebo vzniku požiaru.
- **Pri nesprávnom používaní môže z akumulátora vytiecť tekutina. Zabráňte kontaktu s tekutinou. V prípade náhodného kontaktu opláchnuť vodou. Ak sa dostane táto tekutina do očí, vyhľadajte taktiež lekársku pomoc.** Vystupujúca tekutina akumulátora môže viesť k podráždeniu pokožky alebo popáleninám.

#### 6. Servis

- **Nechajte Váš elektrický nástroj opravovať vždy len kvalifikovaným odborným personálom a vždy len s originálnymi náhradnými dielmi.** Tým sa zabezpečí, že ostane zachovaná bezpečnosť elektrického nástroja.

**Prístroj držte za určené izolované plochy, keď vykonávate také druhy práce, pri ktorých by mohla skrutka alebo použitý nástroj trafiť na schované elektrické vedenia.** Kontakt s vedením, ktoré je pod napätím, môže vytvoriť elektrické napätie v kovových častiach prístroja a tak môže dôjsť k elektrickému úderu.

#### Špeciálne bezpečnostné pokyny

Aby bolo možné dodať Vám akumulátory s maximálnou energetickou výkonnosťou, dlhou životnosťou a bezpečnosťou, venujeme výrobe každého akumulátora najvyššiu pozornosť. Akumulátorové články majú viacstupňové bezpečnostné zariadenie. Každý jednotlivý článok sa najskôr naformátuje a zaznamenajú sa jeho elektrické charakteristické znaky. Tieto údaje sa potom využívajú, aby bolo možné zoskupiť najlepšie akumulátorové zostavy. **Napriek všetkým bezpečnostným opatreniam pri zaobchádzaní s akumulátormi je potrebná neustála opatrnosť. Pre bezpečnú prevádzku sa musia bezpodmienečne dodržiavať nasledovné body.** **Bezpečná prevádzka je zaručená len s nepoškodenými článkami! Nesprávne zaobchádzanie vedie k poškodeniu článkov**

**Pozor!** Analýzy potvrdzujú, že hrubé nesprávne používanie a nesprávne ošetrovanie sú hlavnou príčinou poškodenia vysoko výkonných akumulátorov.

#### Pokyny k akumulátoru

- Akumulátor tohto akumulátorového prístroja nie je pri zakúpení nabitý. Pred prvým uvedením do prevádzky musí byť z toho dôvodu akumulátor nabitý.
- Pre optimálny výkon akumulátora je potrebné, aby ste zabránili cyklom hlbokého

**SK**

vybitia! Nabíjajte Váš akumulátor často.

- Skladujte Váš akumulátor na chladnom mieste, najlepšie pri 15 °C a najmenej na 40 % nabitý.
- Lítium-iónové akumulátory podliehajú prirodzenému starnutiu. Najneskôr vtedy, keď výkonnosť akumulátora zodpovedá len približne 80 % nového stavu, musí sa akumulátor vymeniť! Oslabené články v starom akumulátore nie sú viac schopné zvládť vysoké výkonnostné požiadavky a predstavujú tak bezpečnostné riziko.
- Použité akumulátory nehádzať do otvoreného ohňa. Nebezpečenstvo výbuchu!
- Akumulátor nezapaľujte ani nevhadzujte do ohňa.
- **Akumulátory nevybíjajte hĺbkovo!** Hĺbkové vybitie poškodzuje články akumulátora. Najčastejšia príčina pre hĺbkové vybitie akumulátora je dlhá doba skladovania resp. nepoužívania hlboko vybitého akumulátora. Ukončite pracovný proces, keď začne evidentne klesať výkon alebo sa aktivuje ochranná elektronika. Akumulátor uskladnite až po úplnom nabití.
- **Chráňte akumulátory resp. prístroj pred preťažením!** Preťaženie vedie rýchle k prehriatiu a poškodeniu článkov vo vnútri telesa akumulátora, bez toho aby bolo z vonkajšej strany znateľné prehriatie.
- **Zabráňte poškodeniam a nárazom!** Ihneď nahraďte akumulátory, ktoré Vám spadli z výšky viac ako jeden meter alebo boli vystavené silným nárazom, aj napriek tomu, že sa javí teleso akumulátora ako nepoškodené. Články akumulátora vo vnútri môžu byť vážne poškodené. Dbajte pritom prosím taktiež na pokyny pre likvidáciu.
- V prípade preťaženia a prehriatia sa z bezpečnostných dôvodov prístroj vypne pomocou integrovaného ochranného vypínača. **Pozor!** Nestláčajte nad'alej vypínač zap/vyp v prípade, keď ochranný vypínač vypol prístroj. Môže to spôsobiť poškodenia na akumulátore.
- Používajte len originálne akumulátory. Použitie iných akumulátorov môže viesť k zraneniam, výbuchu a riziku požiaru.

### **Pokyny k nabíjačke a procesu nabíjania**

- Nepoužívajte priloženú nabíjačku na nabíjanie batérií, ktoré nie sú určené na opätovné nabíjanie.
- Dbajte na údaje uvedené na typovom štítku nabíjačky. Zapojte nabíjačku len na elektrické napätie zodpovedajúce údajom na typovom štítku.
- Chráňte nabíjačku a elektrický kábel pred poškodením a ostrými hranami. Poškodené káble musia byť bezodkladne vymenené odborným elektrotechnikom.
- Táto nabíjačka nie je určená na to, aby ju mohli používať osoby (vrátane detí) s obmedzenými fyzickými, zmyslovými alebo psychickými schopnosťami alebo osoby s nedostatočnými skúsenosťami a/alebo nedostatočnými vedomosťami, také používanie je možné len v tom prípade, ak budú pod dozorom osoby zodpovednej za ich bezpečnosť alebo ak boli zaškolené o používaní prístroja.
- Deti by mali byť pod dozorom, aby bolo možné zabezpečiť, že sa nebudú s prístrojom hrať.
- Nepoužívajte poškodenú nabíjačku.
- Nepoužívajte priloženú nabíjačku na nabíjanie iných akumulátorových prístrojov.
- Pri silnom namáhaní sa teleso akumulátora zohreje. Pred začatím procesu nabíjania nechajte akumulátor ochladiť na izbovú teplotu.
- **Akumulátory nenabíjajte nadmerne!** Dodržiavajte prosím na maximálne doby nabíjania. Tieto doby nabíjania platia len pre vybité akumulátory. Viacnásobné zapojenie nabitého alebo čiastočne nabitého akumulátora vedie k nadmernému nabitiu a k poškodeniu článkov. Akumulátory nenechajte zasunuté viacero dní v nabíjačke.
- **Nikdy nepoužívajte a nenabíjajte akumulátory, o ktorých predpokladáte, že ich posledné nabíjanie bolo uskutočnené pred viac ako 12 mesiacmi.** Je vysoká pravdepodobnosť, že je takýto akumulátor už nebezpečne poškodený (hĺbkové vybitie).
- Nabíjanie pri teplote nižšej ako 10 °C vedie k chemickému poškodeniu článkov a môže

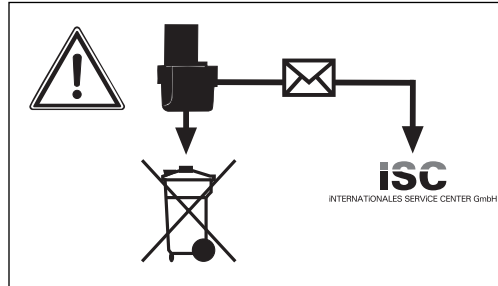
viesť k požiaru.

- Nepoužívajte také akumulátory, ktoré sa počas nabíjania zohriali, pretože by mohli byť nebezpečne poškodené články akumulátora.
- Nepoužívajte naďalej také akumulátory, ktoré sa počas nabíjania zvlhli alebo zdeformovali, alebo prejavovali netypické symptómy pri nabíjaní (tvorba plynu, praskanie, syčanie, ...).
- Akumulátor nikdy úplne nevybíjajte (odporúčaná hĺbka vybitia max. 80 %). Plné vybitie vedie k predčasnému starnutiu článkov akumulátora.
- Batérie nikdy nenabíjať bez dozoru!

### Ochrana pred vplyvmi vonkajšieho prostredia

- Pri práci používajte vhodný pracovný odev. Používajte ochranné okuliare.
- **Chráňte akumulátorový prístroj a nabíjačku pred vlhkosťou a dažďom.** Vlhkosť a dažď môžu viesť k nebezpečným poškodeniam článkov.
- Akumulátorový prístroj a nabíjačku nepoužívajte v oblasti výparov a horľavých tekutín.
- Nabíjačku a akumulátorové prístroje používať len v suchom stave a pri teplote prostredia 10-40 °C.
- Neskladujte akumulátor na miestach, kde môžu teploty dosiahnuť viac ako 40 °C, predovšetkým nie v automobile, ktorý je vystavený slnečnému žiareniu.
- **Akumulátory chrániť pred prehriatím!** Preťaženie, nadmerné nabitie alebo slnečné žiarenie vedie k prehriatiu a poškodeniu článkov. Nenabíjajte ani nepracujte v žiadnom prípade s takými akumulátormi, ktoré boli prehriate - ihneď takéto akumulátory nahraďte.
- **Skladovanie akumulátorov, nabíjačiek a akumulátorového prístroja.** Skladujte nabíjačku a Váš akumulátorový prístroj len v suchých miestnostiach s teplotou okolia v rozsahu 10-40 °C. Skladujte lítium-iónový akumulátor v suchu a chlade pri 10-20 °C. Chráňte pred vlhkosťou vzduchu a priamym slnečným žiarením! Akumulátory skladujte len v nabitom stave (min. 40 % nabité).

- Zabráňte tomu, aby lítium-iónový akumulátor zamrzol. Akumulátory, ktoré boli skladované viac ako 60 minút pod 0 °C, sa musia zlikvidovať.
- Pozor pri zaobchádzaní s akumulátormi vo vzťahu na elektrostatický náboj: elektrostatické výboje vedú k poškodeniu ochrannej elektroniky a článkov akumulátora! Zabráňte preto elektrostatickému nabitíu a nikdy sa nedotýkajte pólov akumulátora!



Akumulátory a akumulátormi poháňané elektrické prístroje obsahujú materiály poškodzujúce životné prostredie. Neodstraňujte akumulátorové prístroje ako domový odpad. V prípade poškodenia alebo opotrebovania prístroja vyberte akumulátor a zašlite na adresu spoločnosti iSC GmbH, Eschenstraße 6 in D-94405 Landau, Nemecko, alebo ak je akumulátor spojený neoddeliteľne, zašlite celý akumulátorový prístroj. Len tu zaručuje výrobca odbornú likvidáciu.

**Dbajte pri odosielaní alebo likvidácii akumulátorov resp. akumulátorového prístroja na to, aby boli zabalené jednotlivo v umelohmotných vreckách, aby sa zabránilo skratom alebo vzniku požiaru!**

**Starostlivo uschovajte tieto bezpečnostné pokyny.**

**SK**

### 3. Popis prístroja (obr. 1)

1. Upínanie hrotov
2. Diódové svetlo
3. Aretačné tlačidlo
4. Vypínač svetla zap/vyp
5. Zobrazenie kapacity akumulátora
6. Tlačidlo zobrazenia kapacity akumulátora
7. Svetelná kontrolka nabíjania
8. Pripojenie pre nabíjanie
9. Vypínač zap/vyp
10. Prepínač ľavo-/pravotočivého chodu
11. Nabíjačka
12. Nabíjací kábel
13. Nastavenie točivého momentu
14. Upínacia hlava

### 4. Obsah dodávky

Vyberte všetky diely z obalu a skontrolujte, či je obsah kompletný.

- Akumulátorový skrutkovač PASS 3.6 A1
- Nabíjačka
- 26 hrotov
- Držiak hrotov
- Kufřík
- Návod na obsluhu

### 5. Správne použitie

Akumulátorový skrutkovač je vhodný na uťahovanie a uvoľňovanie skrutiek.

Prístroj smie byť použitý len na ten účel, na ktorý bol určený. Každé iné odlišné použitie sa považuje za nespĺňajúce účel použitia. Za škody alebo zranenia akéhokoľvek druhu spôsobené nesprávnym používaním ručí používateľ / obsluhujúca osoba, nie však výrobca.

Prosím berte ohľad na skutočnosť, že naše prístroje neboli svojim určením konštruované na profesionálne, remeselnícke ani priemyselné použitie. Nepreberáme žiadne záručné ručenie, ak sa prístroj bude používať v profesionálnych, remeselníckych alebo priemyselných

64

prevádzkach ako aj na činnosti rovnocenné s takýmto použitím.

### 6. Technické údaje

Napájanie napätím motora:	3,6 V d.c.
Otáčky pri voľnobehu:	200 min <sup>-1</sup>
Pravo-ľavo-točivý pohyb:	áno
Výstupné napätie nabíjačky:	6,8 V d.c.
Výstupný prúd nabíjačky:	550 mA
Sieťové napätie nabíjačky:	230 V~ 50 Hz
Čas nabíjania:	3 hod.
Typ akumulátora:	Li-Ion/1,5 Ah
Hmotnosť:	0,4 kg
Trieda LED	1

### Hluk a vibrácia

Hodnoty hluku a vibrácie boli merané podľa EN 60745.

Hladina akustického tlaku L <sub>pA</sub>	62 dB (A)
Faktor neistoty K <sub>pA</sub>	3 dB
Hladina akustického výkonu L <sub>WA</sub>	73 dB (A)
Nestálosť K <sub>WA</sub>	3 dB

#### Používajte ochranu sluchu.

Pôsobenie hluku môže spôsobiť poškodenie sluchu.

Celkové hodnoty kmitania (vektorový súčet troch smerov) merané podľa EN 60745.

#### Skrutkovanie bez príklepu

Emisná hodnota vibrácie a<sub>h</sub> ≤ 2,5 m/s<sup>2</sup>

Faktor neistoty K = 1,5 m/s<sup>2</sup>

#### Výstraha!

Uvedená emisná hodnota vibrácií bola nameraná podľa normovaného skúšobného postupu a môže sa meniť v závislosti od druhu a spôsobu použitia elektrického náradia a vo výnimočných prípadoch sa môže nachádzať



nad uvedenou hodnotou.

Uvedená emisná hodnota vibrácií sa môže použiť za účelom porovnania elektrického prístroja s inými prístrojmi.

Uvedená emisná hodnota vibrácií sa môže taktiež použiť za účelom východiskového posúdenia vplyvov.

### Obmedzte tvorbu hluku a vibráciu na minimum!

- Používajte len prístroje v bezchybnom stave.
- Pravidelne vykonávajte údržbu a čistenie prístroja.
- Prispôbte spôsob práce prístroju.
- Prístroj nepreťažujte.
- V prípade potreby nechajte prístroj skontrolovať.
- Prístroj vypnite, pokiaľ ho nepoužívate.
- Používajte rukavice.

## 7. Pred uvedením do prevádzky

### ⚠ Pozor!

Pred uvedením Vášho akumulátorového skrutkovača si bezpodmienečne prečítajte tieto pokyny:

1. Nabite akumulátor len pomocou priloženej nabíjačky (11).
2. Používajte len bezchybné a vhodné skrutkovacie hroty.
3. Pri skrutkovaní na stenách a múroch je potrebné skontrolovať, či sa v nich nenachádzajú skryté elektrické, plynové alebo vodovodné rozvody.

## 8. Obsluha

### 8.1 Nabíjanie akumulátora (obr. 1)

Akumulátor je chránený proti úplnému vybitiu. Integrované ochranné spínanie automaticky vypne prístroj, keď je akumulátor vybitý. Upínanie hrotov (1) sa v tomto prípade už neotáča.

### ⚠ Pozor!

Nestláčajte vypínač zap/vyp (9) v prípade, keď ochranné spínanie vyplo prístroj. Môže to spôsobiť poškodenia na akumulátore.

1. Porovnajte, či sieťové napätie uvedené na typovom štítku zodpovedá prítomnému elektrickému napätiu siete. Zasuňte nabíjačku (11) do zásuvky a zapojte nabíjací kábel (12) do nabíjacieho pripojenia (8). Proces nabíjania začne, ako náhle sa spojí nabíjací kábel s nabíjacím pripojením.
2. Kontrolka nabíjania (7) signalizuje, že prebieha nabíjanie akumulátora.
3. Po dokončení nabíjania zhasne kontrolka nabíjania (7).

### ⚠ Pozor!

Počas procesu nabíjania môže dôjsť k čiastočnému zohriatiu rukoväte, čo je však úplne normálne.

Ak by nebolo možné nabitie akumulátora, skontrolujte prosím

- či je zásuvka správne zapojená na sieťové napätie
- či je k dispozícii bezchybný kontakt na nabíjajúcich kontaktoch nabíjačky (11).

Ak potom ešte stále nie je možné nabitie akumulátora prosíme Vás, aby ste

- nabíjačku (11)
- a skrutkovač

zaslali nášmu zákazníckemu servisu.

V záujme dlhšej životnosti akumulátora by ste sa mali postarať o včasné opätovné nabitie akumulátora. To je potrebné v každom prípade vtedy, keď zistíte, že sa výkon akumulátorového skrutkovača začne znižovať.

**SK****8.2 Prepínač ľavo-/pravotočivého chodu (obr. 2/pol. 10)**

Pomocou tohto prepínača ľavo-/pravotočivého chodu (10) umiestneného nad vypínačom zap/vyp (9) môžete nastaviť potrebný smer točenia akumulátorového skrutkovača a akumulátorový skrutkovač zabezpečiť proti samovoľnému zapnutiu. Môžete voliť medzi ľavotočivým a pravotočivým smerom otáčania.

**⚠ Pozor!**

Aby ste zabránili poškodeniu pohonu, mali by ste prepínať smer otáčania iba vtedy, keď je prístroj v stave pokoja. Ak sa nachádza prepínač ľavo-/pravotočivého chodu (10) v strednej polohe, je ním zablokovaný vypínač zap/vyp (9).

**Smer pohybu**

Pravotočivý chod  
Ľavotočivý chod

**Poloha prepínača**

Stlačené "R"  
Stlačené "L"

**8.3 Vypínač zap/vyp (obr. 2/pol. 9)**

Akumulátorový skrutkovač sa zapne stlačením vypínača zap/vyp (9). Zastaví sa, pokiaľ vypínač zap/vyp znovu pustíte.

**8.4 Diódové svetlo (obr. 1/pol. 2)**

Diódové svetlo (2) umožňuje osvetlenie miesta určeného na skrutkovanie pri nedostatočných svetelných podmienkach. Na zapnutie stlačte vypínač zap/vyp (4), na vypnutie znovu stlačte vypínač zap/vyp (4).

**8.5 Nastavenie rukoväte (obr. 1,2/pol. 3)**

Skrutkovač sa môže zafixovať v 2 rôznych nastaveniach rukoväte. K tomu sa musí stlačiť aretačné tlačidlo (3) a skrutkovač sa natočí do požadovanej polohy. Potom sa aretačné tlačidlo (3) znovu pustí.

**⚠ Pozor!**

Pred uvedením do prevádzky je potrebné skontrolovať, či je skrutkovač správne zafixovaný v danej polohe rukoväte.

**8.6 Zobrazenie kapacity akumulátora (obr. 4/pol. 5)**

Zatlačte na tlačidlo pre zobrazenie kapacity akumulátora (6). Zobrazenie kapacity akumulátora (5) signalizuje stav nabitia akumulátora pomocou 3 farebných kontroliek.

**Všetky kontrolky svietia:**

Akumulátor je úplne nabitý.

**Svieti žltá a červená kontrolka:**

Akumulátor má dostatočné zvyškové nabitie.

**Červená kontrolka:**

Akumulátor je prázdny, nabite akumulátor.

**8.7 Výmena nástrojov (obr. 5)****⚠ Pozor!**

Pri všetkých prácach na akumulátorovom skrutkovači (napr. výmena nástrojov, údržba atď.) uveďte prepínač ľavo-/pravotočivého chodu (10) do strednej polohy.

- Upínaciu hlavu (14) potiahnite dozadu a držte.
- Zasuňte hrot (a) do upínania hrotov (1), upínaciu objímku (14) pustite.
- Fixáciu skontrolujte potiahnutím nástroja.
- Pri odoberaní hrotov (a) zatiahnuť upínaciu objímku (14) späť a pevne pridržať.
- Odoberte hrot (a) a pustite upínaciu objímku (14).

**8.8 Nastavenie točivého momentu (obr. 1/pol. 13)****⚠ Pozor!**

Točivý moment nastavovať len ak je prístroj v pokojovom stave. Akumulátorový skrutkovač je vybavený mechanickým nastavením točivého momentu.

Točivý moment pre určitú veľkosť skrutky sa nastavuje na nastavení točivého momentu (13). Potrebný točivý moment je závislý od viacerých faktorov:

- Od druhu a tvrdosti spracovávaného materiálu.
- Od druhu a dĺžky použitých skrutiek.
- Od požiadaviek, ktoré sú dané pre pevnosť skrutkového spojenia.

Dosiahnutie nastaveného točivého momentu je signalizované spúšťaním spojky.

### 8.9 Skrutkovanie

Používajte najlepšie skrutky so samočinným centrováním (napr. torx, krížový zárez), ktoré zaručujú bezpečnú prácu.

Dbajte na to, aby sa zhodovali veľkosti a formy použitého skrutkovacieho hrotu a skrutky.

### 8.10 Preťaženie skrutkovača

Ak bude skrutkovač preťažený, tak ochranný vypínač vypne prístroj. Skrutkovač sa môže po niekoľkých sekundách znovu používať.

## 9. Čistenie, údržba a objednanie náhradných dielov

### ⚠ Pozor!

Pred všetkými údržbovými a čistiacimi prácami vytiahnite kábel zo siete.

### 9.1 Čistenie

- Udržujte ochranné zariadenia, vzduchové otvory a kryt motora vždy v čistom stave bez prachu a nečistôt. Utrite prístroj čistou utierkou alebo ho vyčistite vyfúkaním stlačeným vzduchom pri nastavení na nízky tlak.
- Odporúčame, aby ste prístroj čistili priamo po každom použití.
- Čistite prístroj pravidelne pomocou vlhkej utierky a malého množstva tekutého mydla. Nepoužívajte žiadne agresívne čistiace prostriedky ani riedidlá; tieto prostriedky by mohli napadnúť umelohmotné diely prístroja. Dbajte na to, aby sa do vnútra prístroja nedostala voda.

### 9.2 Údržba

Vo vnútri prístroja sa nenachádzajú žiadne ďalšie diely vyžadujúce údržbu.

### 9.3 Objednávanie náhradných dielov:

Pri objednávaní náhradných dielov je potrebné uviesť nasledovné údaje:

- Typ prístroja
- Výrobné číslo prístroja
- Identifikačné číslo prístroja

Aktuálne ceny a informácie nájdete na stránke [www.isc-gmbh.info](http://www.isc-gmbh.info).

## 10. Likvidácia a recyklácia

Prístroj sa nachádza v obale za účelom zabránenia poškodeniu pri transporte. Tento obal je vyrobený zo suroviny a tým pádom je ho možné znovu použiť alebo sa môže dať do zberu na recykláciu surovín. Prístroj a jeho príslušenstvo sa skladajú z rôznych materiálov, ako sú napr. kovy a plasty.

Poškodené súčiastky odovzdajte na vhodnú likvidáciu špeciálneho odpadu. Informujte sa v odbornej predajni alebo na miestnych úradoch!



Len pre krajiny EÚ

Neodstraňujte elektrické prístroje ako domový odpad!

Podľa Európskej smernice 2002/96/ES o odpade z elektrických a elektronických zariadení (OEEZ) a v súlade s národnými právnymi predpismi sa musia použité elektronické prístroje odovzdať do triedeného zberu a musí sa zabezpečiť ich špecifické spracovanie v súlade s ochranou životného prostredia (recyklácia).

**SK**

Recyklačná alternatíva k výzve na spätné zaslanie výrobku:

Majiteľ elektrického prístroja je alternatívne namiesto spätnej zásielky povinný spolupracovať pri riadnej recyklácii prístroja v prípade vzdania sa jeho vlastníctva. Starý prístroj môže byť za týmto účelom taktiež prenechaný zbernému miestu, ktoré vykoná odstránenie v zmysle národného zákona o recyklácii a odpadovom hospodárstve.

Netýka sa to dielov príslušenstva, priložených k starým prístrojom a pomocných prostriedkov bez elektronických komponentov.

## 11. Prehlásenie o zhode

Einhell Germany AG · Wiesenweg 22 · D-94405 Landau/Isar



## Konformitätserklärung

- erklärt folgende Konformität gemäß EU-Richtlinie und Normen für Artikel  
 explains the following conformity according to EU directives and norms for the following product  
 déclare la conformité suivante selon la directive CE et les normes concernant l'article  
 dichiara la seguente conformità secondo la direttiva UE e le norme per l'articolo  
 verklaart de volgende overeenstemming conform EU richtlijn en normen voor het product  
 declara la siguiente conformidad a tenor de la directiva y normas de la UE para el artículo  
 declara a seguinte conformidade, de acordo com a directiva CE e normas para o artigo  
 atterer følgende overensstemmelse i medfør af EU-direktiv samt standarder for artikel  
 förklarar följande överensstämmelse enl. EU-direktiv och standarder för artikeln  
 vakuuttaa, että tuote täyttää EU-direktiivin ja standardien vaatimukset  
 tõendab toote vastavust EL direktiivile ja standarditele  
 vydává následující prohlášení o shodě podle směrnice EU a norem pro výrobek  
 potrjuje sledeću skladnost s smernico EU in standardi za izdelek  
 vydává následující prohlášení o zhode podľa smernice EÚ a noriem pre výrobok  
 a cikkekhez az EU-irányvonal és Normák szerint a következő konformitást jelenti ki  
 deklaruje zgodność wymienionego poniżej artykułu z następującymi normami na podstawie dyrektywy WE.  
 декларира съответното съответствие съгласно Директива на ЕС и норми за артикул  
 paskaidro šādu atbilstību ES direktīvai un standartiem  
 apibūdina šj atitikimą EU reikalavimams ir prekės normoms  
 declară următoarea conformitate conform directivei UE și normelor pentru articolul  
 δηλώνει την ακόλουθη συμμόρφωση σύμφωνα με την Οδηγία ΕΚ και τα πρότυπα για το προϊόν  
 potvrđuje sljedeću usklađenost prema smjernicama EU i normama za artikl  
 Izjava o sukladnosti za ovaj proizvod dostupna je na internet stranici www.lidl.hr.  
 potvrđuje sljedeću usklađenost prema smjernicama EU i normama za artikl  
 potvrđuje sledeću usklađenost prema smernicama EZ i normama za artikl  
 следующим удостоверяется, что следующие продукты соответствуют директивам и нормам ЕС  
 проголошує про зазначену нижче відповідність виробу директивам та стандартам ЄС на виріб  
 Ürünü ile ilgili AB direktifleri ve normları gereğince aşağıda açıklanan uygunluğu belirtir  
 erklærer følgende samsvar i henhold til EU-direktivet og standarder for artikkel  
 Lysisir uppfyllingu EU-reglna og annarra staða vöru

## Akkuschrauber PASS 3,6 A1 / Ladegerät LG PASS 3,6 A1 (Parkside)

- 87/404/EC\_2009/105/EC  
 2005/32/EC\_2009/125/EC  
 2006/95/EC  
 2006/28/EC  
 2004/108/EC  
 2004/22/EC  
 1999/5/EC  
 97/23/EC  
 90/396/EC\_2009/142/EC  
 89/686/EC\_96/58/EC  
 2011/65/EC  
 2006/42/EC  
 Annex IV  
 Notified Body:  
 Notified Body No.:  
 Reg. No.:  
 2000/14/EC\_2005/88/EC  
 Annex V  
 Annex VI  
 Noise: measured  $L_{WA}$  = dB (A); guaranteed  $L_{WA}$  = dB (A)  
 P = KW; L/Ø = cm  
 Notified Body:  
 2004/26/EC  
 Emission No.:

Standard references: EN 60745-1; EN 60745-2-2; EN 55014-1;  
EN 55014-2; EN 60335-1; EN 60335-2-29; EN 61000-3-2; EN 61000-3-3

Landau/Isar, den 22.09.2011

  
Weichselgartner/General Manager


  
Unger/Product-Management

First CE: 08  
 Art.-No.: 45.134.24 I.-No.: 11031  
 Subject to change without notice

Archive-File/Record: NAPR004730  
 Documents registrar: Georg Riedel  
 Wiesenweg 22, D-94405 Landau/Isar

# 12. ZÁRUČNÝ LIST

## Vážená zákazníčka, vážený zákazník,

naše výrobky podliehajú prísnej kontrole kvality. V prípade, že nebude prístroj napriek tomu bezchybne fungovať, je nám to veľmi ľúto a prosíme Vás, aby ste sa obrátili na našu servisnú službu na adrese uvedenej na tomto záručnom liste. Radi Vám budeme k dispozícii taktiež telefonicky na uvedenom servisnom telefónnom čísle. Pri uplatňovaní nárokov na záručné plnenie platia nasledujúce podmienky:

1. Tieto záručné podmienky upravujú dodatočné záručné plnenie. Vaše zákonné nároky na záruku nie sú touto zárukou dotknuté. Naše záručné plnenie je pre Vás zadarmo.
  2. Záručné plnenie sa vzťahuje výlučne len na nedostatky, ktoré sú spôsobené chybami materiálu alebo výrobnými chybami, a je obmedzené na odstránenie týchto nedostatkov resp. výmenu prístroja. Prosím, dbajte na to, že naše prístroje neboli svojim určením konštruované na profesionálne, remeselnícke ani priemyselné použitie. Táto záručná zmluva sa preto neuzatvára, ak sa prístroj bude používať v profesionálnych, remeselníckych alebo priemyselných prevádzkach ako aj na činnosti rovnocenné s takýmto použitím. Z našej záruky sú okrem toho vylúčené náhradné plnenie za škody pri transporte, škody spôsobené nedodržaním návodu na montáž alebo na základe neodbornej inštalácie, nedodržaním návodu na použitie (ako napr. pripojením na nesprávne sieťové napätie alebo druh prúdu), zneužívaním alebo nesprávnym používaním (ako napr. preťaženie prístroja alebo použitie neprípustných pracovných nástrojov alebo príslušenstva), nedodržaním pokynov pre údržbu a bezpečnostných pokynov, vniknutím cudzích telies do prístroja (ako napr. piesok, kamene alebo prach), použitím násillia alebo cudzieho pôsobenia (napr. škody spôsobené pádom), a taktiež je vylúčené bežné opotrebenie primerané použitiu. To sa týka predovšetkým akumulátorov, na ktoré napriek tomu garantujeme záručnú dobu 12 mesiacov.
- Nárok na záruku zaniká, ak už boli na prístroji svojvoľne uskutočnené zásahy.
3. Doba záruky je 3 roky a začína sa dátumom nákupu prístroja. Nároky na záruku sa musia uplatniť pred koncom uplynutia záručnej doby do dvoch týždňov od zistenia nedostatku. Uplatnenie nárokov na záruku po uplynutí záručnej doby je vylúčené. Oprava alebo výmena prístroja nevedie k predĺženiu záručnej doby ani nedochádza na základe tohto plnenia ku vzniku novej záručnej doby pre prístroj ani pre akékoľvek inštalované náhradné diely. To platí taktiež pri nasadení miestneho servisu.
  4. Pre uplatnenie nároku na záruku nám prosím zašlite defektný prístroj oslobodený od poštovného na dole uvedenú adresu. Priložte predajný doklad v origináli alebo iný doklad o zakúpení s dátumom. Prosím, starostlivo si preto uschovajte pokladničný blok ako doklad o zakúpení! Prosím, popíšte nám čo najpresnejšie dôvod reklamácie. Ak spadá defekt prístroja pod naše záručné plnenie, dostanete obratom naspäť opravený alebo nový prístroj.

Samozrejme Vám radi opravíme závady na prístroji na vaše náklady, ak tieto závady nespádajú alebo už nespádajú do rozsahu záruky. Prosím, pošlite nám v takom prípade prístroj na našu servisnú adresu.

**Einhell Slovakia s.r.o.**  
 Diaľničná cesta 18  
 903 01 Senec  
 Tel.: + 421 2 209037 87/88, Fax: + 421 2 20903795  
 E-mail: servissk@einhell.sk

**Spis treści:****Strona:**

1. Przedmowa.....	73
2. Wskazówki bezpieczeństwa .....	73-78
3. Opis urządzenia .....	78
4. Zakres dostawy .....	78
5. Użycie zgodne z przeznaczeniem .....	78
6. Dane techniczne .....	78-79
7. Przed uruchomieniem .....	79
8. Obsługa .....	79-81
9. Czyszczenie, konserwacja i zamawianie części zamiennych .....	81
10. Utylizacja i recykling .....	82
11. Deklaracja zgodności z normami .....	83
12. Świadectwo gwarancyjne .....	84

Przedruk lub innego rodzaju powielanie dokumentacji wyrobów oraz dokumentów towarzyszących, nawet we fragmentach dopuszczalne jest tylko za wyraźną zgodą firmy ISC GmbH.

Zastrzega się wprowadzanie zmian technicznych



„Ostrzeżenie – Aby zmniejszyć ryzyko zranienia, należy przeczytać instrukcję obsługi”



## 1. Przedmowa

### ⚠ Uwaga!

Podczas użytkowania urządzenia należy przestrzegać wskazówek bezpieczeństwa w celu uniknięcia zranień i uszkodzeń. Z tego względu proszę dokładnie zapoznać się z instrukcją obsługi/ wskazówkami bezpieczeństwa. Proszę zachować instrukcję i wskazówki, aby można było w każdym momencie do nich wrócić. W razie przekazania urządzenia innej osobie, proszę wręczyć jej również instrukcję obsługi/ wskazówki bezpieczeństwa. Nie odpowiadamy za wypadki i uszkodzenia zaistniałe w wyniku nieprzestrzegania niniejszej instrukcji i wskazówek bezpieczeństwa.

## 2. Wskazówki bezpieczeństwa

### Ogólne wskazówki bezpieczeństwa przy użytkowaniu elektronarzędzi

#### ⚠ OSTRZEŻENIE

#### Przeczytać wszystkie wskazówki bezpieczeństwa i instrukcję.

Nieprzestrzeganie instrukcji i wskazówek bezpieczeństwa może wywołać porażenia prądem, niebezpieczeństwo pożaru lub ciężkie zranienia.

#### Proszę zachować na przyszłość wskazówki bezpieczeństwa i instrukcję.

Poniżej zastosowane pojęcie „elektonarzędzi” odnosi się do zasilanych sieciowo elektronarzędzi (z kablem sieciowym) i zasilanych akumulatorowo elektronarzędzi (bez kabla sieciowego).

### 1. Bezpieczeństwo miejsca pracy

- **Miejsce pracy utrzymywać w czystości.** Nieporządek i złe oświetlenie miejsca pracy mogą prowadzić do wypadków.
- **Nie należy pracować elektronarzędziem w zagrożonym eksplozją otoczeniu, w pobliżu łatwopalnych substancji, gazów i pyłów.**

Elektonarzędzia wywołują iskry, które

mogą zapalić kurz i opary.

- **W trakcie użytkowania elektronarzędzi dzieci i inne osoby trzymać z dala od obszaru pracy.**

Odwrócenie uwagi od wykonywanej pracy może spowodować utratę kontroli nad urządzeniem.

### 2. Bezpieczeństwo elektryczne

- **Wtyczka urządzenia musi pasować do kontaktu. Wtyczka nie może być w żaden sposób zmieniona. Nie stosować wtyczki adaptacyjnej razem z uziemionymi elektronarzędziami.**

Nie zmienione wtyczki i pasujące gniazdko zmniejszają ryzyko porażenia prądem.

- **Unikać zetknięcia części ciała z uziemionymi powierzchniami, np. rurami, elementami grzejnymi, kuchenkami, lodówkami.**

Kiedy Państwa ciało jest uziemione istnieje większe ryzyko porażenia prądem.

- **Chronić urządzenie przed deszczem i wilgocią.**

Wniknięcie wody do urządzenia podwyższa ryzyko porażenia prądem.

- **Nie używać kabla niezgodnie z przeznaczeniem, w celu przeniesienia urządzenia lub wyjęcia wtyczki z gniazdko. Trzymać kabel z dala od gorąca, oleju, ostrych kątów albo ruchomych części urządzenia.**

Uszkodzony lub przerwany kabel podnosi ryzyko porażenia prądem.

- **Praca z elektronarzędziem na zewnątrz, wymaga zastosowania przedłużacza, który dopuszczony jest do pracy na zewnątrz.**

Zastosowanie przedłużacza przeznaczonego do pracy na zewnątrz, zmniejszy ryzyko porażenia prądem.

- **Jeżeli użycie elektronarzędzia w wilgotnym otoczeniu jest konieczne, należy użyć wyłącznika ochronnego prądowego.**

Użycie wyłącznika ochronnego prądowego zmniejsza ryzyko porażenia prądem.

### 3. Bezpieczeństwo osób

- **Należy zachować ostrożność, uważać na to, co się robi i poruszać się z rozwagą przy pracy z urządzeniem. Nie używać urządzenia, gdy jest się zmęczonym lub pod wpływem narkotyków, alkoholu lub lekarstw.**  
Moment nieuwagi podczas używania elektronarzędzia może prowadzić do poważnych zranień.
- **Zawsze nosić okulary ochronne oraz wyposażenie ochronne.**  
Należy nosić odzież wyposażenie ochronne, takie jak maskę ochronną, obuwie antypoślizgowe, kask lub naszniki w zależności od rodzaju i zastosowania elektronarzędzia, zmniejsza to ryzyko zranienia.
- **Unikać przypadkowego uruchomienia. Przed podłączeniem urządzenia do sieci i/ lub akumulatora, jego podniesieniu lub przeniesieniem upewnić się, że urządzenie jest wyłączone.**  
Jeśli podczas przenoszenia mają Państwo palce na włączniku lub urządzenie jest włączone do prądu, może dojść do wypadku.
- **Przed uruchomieniem urządzenia usunąć urządzenia nastawcze lub klucze do śrub.**  
Narzędzie lub klucz, który znajdzie się w obracających się częściach, może doprowadzić do zranienia.
- **Unikać nienaturalnych pozycji. Dbać o pewną postawę i utrzymywać równowagę podczas pracy.**  
Dzięki temu mogą Państwo lepiej kontrolować urządzenie w nieoczekiwanych sytuacjach.
- **Nosić odpowiednie ubranie. Nie nosić luźnej odzieży lub biżuterii. Utrzymywać włosy, ubranie i rękawice z dala od ruchomych części urządzenia.**  
Luźne ubrania, biżuteria lub długie włosy mogą zostać wciągnięte w poruszające się części.
- **Kiedy zamontowane są elementy pochłaniające i zbierające kurz, upewnienie się Państwo że są one podłączone i właściwie użytkowane.**

Użycie przyłącza do odsysania pyłu zmniejsza niebezpieczeństwo wywołane przez kurz.

### 4. Użytkowanie i przechowywanie elektronarzędzia

- **Nie przeciążać urządzenia. Do pracy używać odpowiednich do tego celu elektronarzędzi.**  
Z pasującym elektronarzędziem pracuje się lepiej i bezpieczniej przy podanej wydajności.
- **Nie używać urządzenia, który ma uszkodzony włącznik.**  
Urządzenie, którego nie można włączyć ani wyłączyć jest niebezpieczne i musi zostać naprawione.
- **Przed ustawieniem urządzenia, wymianą części osprzętu lub odłożeniem urządzenia należy wyciągnąć wtyczkę z gniazdka i/ lub wyciągnąć akumulator.**  
Odpowiednie środki ostrożności zapobiegają nieoczekiwanemu włączeniu urządzenia.
- **Nieużywane urządzenia przechowywać poza zasięgiem dzieci. Osoby, które nie poznały urządzenia lub nie przeczytały tej instrukcji nie powinny używać urządzenia.**  
Elektronarzędzia są niebezpieczne, jeśli są używane przez niedoświadczone osoby.
- **Starannie dbać o elektronarzędzia. Należy kontrolować, czy ruchome części funkcjonują bez zarzutu, nie zakleszczają się, czy nie są złamane lub uszkodzone, tak aby nie wpływało to na funkcjonowanie urządzenia. Przed użyciem narzędzia należy naprawić uszkodzone części.**  
Wiele wypadków spowodowanych jest niewłaściwą konserwacją urządzenia.
- **Urządzenie tnące przechowywać naostrzone i czyste.**  
Właściwie pielęgnowane urządzenia tnące z naostrzonym ostrzem rzadziej się zakleszczają i są łatwiejsze do prowadzenia.
- **Używać elektronarzędzia oraz jego osprzętu itp. zgodnie ze wskazówkami.**

**Zwracać przy tym uwagę na warunki pracy i wykonywane czynności.**

Wykorzystanie elektronarzędzi do celów innych niż jest to przewidziane może prowadzić do niebezpiecznych sytuacji.

**5. Zastosowanie i działanie narzędzi akumulatorowych**

- **Ładować akumulator tylko w tej ładowarce, która została polecona przez producenta.** Ładowarka, która przeznaczona jest do określonego rodzaju akumulatorów grozi pożarem, jeśli jest używana z innymi niewłaściwymi akumulatorami.
- **Używać tylko przeznaczonych do tego akumulatorów w urządzeniach elektrycznych.** Użycie innych akumulatorów może prowadzić do zranień i niebezpieczeństwa pożaru.
- **Nie używane akumulatory trzymać z daleka od spinaczy, monet, kluczy, igieł, śrub i innych drobnych metalowych przedmiotów, które mogą być przewodnikami.** Zwarcie między akumulatorami może prowadzić do oparzeń i powstania ognia.
- **W przypadku złego zastosowania z akumulatora może wypływać ciecz. Unikać kontaktu z cieczą. W razie przypadkowego kontaktu, zabrudzone miejsca wypłukać w wodzie. Jeśli ciecz dostanie się do oka dodatkowo zasięgnąć porady lekarza.** Wypływająca z akumulatora ciecz może prowadzić do oparzeń.

**6. Serwis**

- **Naprawy urządzenia dokonywać jedynie w autoryzowanym serwisie i tylko przy użyciu oryginalnych części.**

Dzięki temu zagwarantowane jest, że bezpieczeństwo urządzenia nie uległo zmianie.

**Kiedy wykonywane są prace, przy których śruba mogłaby dotknąć ukrytych przewodów prądu lub kabla zasilającego, trzymać urządzenie wyłącznie za izolowane przyczepne powierzchnie.** Kontakt z przewodami pod napięciem powoduje, że metalowe części urządzenia są też pod napięciem, co prowadzi do porażenia prądem.

**Specjalne wskazówki bezpieczeństwa**

Przy budowie akumulatorów dokładamy wszelkich starań, aby móc przekazać Państwu akumulator z maksymalną ilością energii, żywotnością i bezpieczeństwem. Cele akumulatora posiadają wielostopniowe elementy zabezpieczające. Każda poszczególna cela jest najpierw formatowana, a jej krzywe znamionowe są zapisywane. Dane te są następnie wykorzystywane, aby można było pogrupować możliwie najlepsze akumulatory. **Pomimo wszelkich środków bezpieczeństwa zawsze wymagana jest ostrożność w obchodzeniu się z akumulatorami. W czasie eksploatacji należy przestrzegać następujących punktów.**

**Bezpieczna eksploatacja zapewniona jest wyłącznie przy nieuszkodzonych celach. Nieodpowiednie używanie prowadzi do uszkodzenia cel.**

**Uwaga!** Analizy potwierdzają, że nieodpowiednie używanie i zła pielęgnacja są główną przyczyną powstawania uszkodzeń przez zbytne przeciążenie akumulatora.

**Wskazówki do akumulatora**

- Akumulator urządzenia akumulatorowego w dostawie nie jest naładowany. Dlatego przed pierwszym uruchomieniem akumulator musi zostać naładowany.
- W celu uzyskania optymalnej mocy akumulatora unikać cykli całkowitego rozładowania! Należy często ładować akumulator.
- Akumulator przechowywać w chłodnym pomieszczeniu, najlepiej w temperaturze 15°C, powinien on być także naładowany przynajmniej w 40%.
- Akumulatory litowo-jonowe podlegają procesowi naturalnego starzenia się. Akumulator musi być wymieniony najpóźniej wtedy, gdy jego wydajność odpowiada tylko 80% stanu pierwotnego. Osłabione cele w przestarzałym akumulatorze nie spełniają wysokich wymagań w stosunku do wydajności i stanowią zagrożenie dla bezpieczeństwa.
- Nie wrzucać zużytych akumulatorów do ognia. Niebezpieczeństwo wybuchu!
- Nie podpalać i nie wystawiać akumulatorów na oparzenia.
- **Nie rozładowywać całkowicie akumulatorów!** Całkowite rozładowanie uszkadza cele akumulatora! Najczęstszą przyczyną całkowitego rozładowania akumulatora jest długie przechowywanie, wzgl. nieużywanie częściowo rozładowanego akumulatora. Zakończyć pracę, jak tylko moc jest widocznie słabsza lub jeśli elektronika zabezpieczająca sygnalizuje wyłączenie. Akumulator przechowywać po całkowitym naładowaniu.
- **Akumulatory wzgl. urządzenie chronić przed przeciążeniem!** Przeciążenie prowadzi szybko do przegrzania i uszkodzenia cel we wnętrzu obudowy akumulatora, nie wywołując wyraźnego przegrzania.
- **Unikać uszkodzeń i uderzeń!** Niezwłocznie wymieniać akumulatory, które upadły z wysokości ponad jednego metra lub które zostały mocno uderzone, także, jeśli obudowa akumulatora wygląda na uszkodzoną. Cele akumulatora w jej wnętrzu mogą być poważnie uszkodzone.

Przestrzegać informacji dotyczących utylizacji.

- W przypadku przeciążenia i przegrzania ze względów bezpieczeństwa odłączyć zintegrowane wyłączanie ochronne urządzenia. **Uwaga!** Nie używać już włącznika/wyłącznika, jeśli wyłączanie ochronne odłączyło urządzenie. To może prowadzić do uszkodzenia akumulatora.
- Stosować tylko oryginalne akumulatory. Użycie innych akumulatorów może prowadzić do zranień, eksplozji i powstania pożaru.

**Wskazówki do ładowarki i przebieg ładowania**

- Nie używać załączonej ładowarki do ładowania baterii nienadających się do ponownego ładowania.
- Zwrócić uwagę na podane dane na tabliczce znamionowej ładowarki. Ładowarkę podłączać tylko do takiego napięcia, jakie podane jest na tabliczce znamionowej.
- Chronić ładowarkę i przewód przed uszkodzeniami i ostrymi krawędziami. Niezwłocznie zlecić elektrykowi wymianę uszkodzonego kabla.
- Urządzenie nie jest przeznaczone do użytkowania przez osoby (włącznie z dziećmi) z ograniczonymi zdolnościami fizycznymi, sensorycznymi lub umysłowymi, lub które mają niewystarczające doświadczenie lub wiedzę, do momentu, aż nie zostaną przyuczone do użytkowania urządzenia lub nie będą nadzorowane przez osobę, która jest odpowiedzialna za ich bezpieczeństwo.
- Uważać na dzieci, aby nie bawiły się urządzeniem.
- Nie używać uszkodzonych ładowarek.
- Nie używać załączonej ładowarki do ładowania innych urządzeń akumulatorowych.
- W przypadku silnego obciążania akumulator nagrzewa się. Przed rozpoczęciem ładowania pozostawić akumulator do schłodzenia się do temperatury pokojowej.
- **Nie ładować nadmiernie akumulatorów!**

Zwracać uwagę na maksymalne czasy ładowania. Podane czasy ładowania obowiązują tylko dla akumulatorów rozładowanych. Wielokrotne wkładanie naładowanego lub częściowo naładowanego akumulatora prowadzi do nadmiernego naładowania oraz do uszkodzenia cel. Nie pozostawiać akumulatorów w ładowarce przez kilka dni.

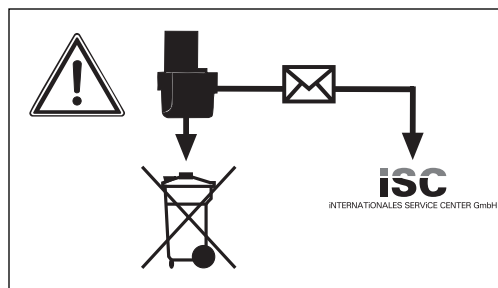
- Nigdy nie używać i nie ładować akumulatorów, co, do których nie ma pewności, czy ostatnie ładowanie nie miało miejsca ponad 12 miesięcy temu. Istnieje wysokie prawdopodobieństwo, że akumulatory są już niebezpiecznie uszkodzone (całkowite rozładowanie).
- Ładowanie w temperaturze poniżej 10°C prowadzi do chemicznego uszkodzenia cel oraz może wywołać pożar.
- Nie używać akumulatorów, które nagrzały się podczas ładowania, ponieważ ich cele są niebezpiecznie uszkodzone.
- Nie używać już akumulatorów, które podczas ładowania wybrzuszyły lub zdeformowały się lub takich, które wykazują nienormalne symptomy (rozgazowanie, trzeszczenie, strzelanie, ...)
- Nie rozładowywać całkowicie akumulatora (zalecane maksymalne rozładowanie 80%). Całkowite rozładowanie prowadzi do przedwczesnego starzenia się cel akumulatora.
- Nigdy nie ładować akumulatorów bez nadzoru!

#### Ochrona przed oddziaływaniem na środowisko.

- Zawsze nosić odpowiednią odzież roboczą. Nosić okulary ochronne.
- **Chronić urządzenie i ładowarkę przed deszczem i wilgocią.** Wilgoć i deszcz mogą prowadzić do niebezpiecznych uszkodzeń cel.
- Ładowarka i urządzenie nie może być używane w obszarze oddziaływania oparów i cieczy łatwopalnych.
- Ładowarka i urządzenia akumulatorowe mogą być używane tylko suche i w temperaturze otoczenia od 10 – 40°C.
- Nie przechowywać akumulatora w

miejscach, gdzie temperatura może osiągnąć ponad 40°C, w szczególności nie przechowywać w zaparkowanych pojazdach.

- **Chronić akumulatory przed przegrzaniem!** Przeciężenie, nadmierne naładowanie lub promieniowanie słoneczne prowadzą do przegrzania i do uszkodzenia cel. Nie ładować lub nie pracować z akumulatorami, które zostały przegrzane – niezwłocznie je zastąpić.
- **Przechowywanie akumulatorów, ładowarek i urządzeń akumulatorowych.** Przechowywać ładowarki i urządzenia akumulatorowe tylko w pomieszczeniach suchych, w temperaturze otoczenia od 10-40°C. Akumulatory litowo-jonowe przechowywać w chłodnym miejscu w temperaturze 10-20°C. Chronić je przed wilgotnym powietrzem i bezpośrednim działaniem promieni słonecznych. Przechowywać wyłącznie naładowane akumulatory (przynajmniej 40%).
- Chronić akumulatory litowo-jonowe przed zamrożeniem. Akumulatory, które były przechowywane w temperaturze poniżej 0°C dłużej niż 60 min. należy oddać do utylizacji.
- Należy być ostrożnym w obchodzeniu się z akumulatorem w odniesieniu do ładunku elektrostatycznego. Rozładowanie elektrostatyczne prowadzi do uszkodzenia elektroniki zabezpieczającej i uszkodzenia cel akumulatora! Dlatego unikać naładowania elektrostatycznego i nigdy nie dotykać biegunów akumulatora!



Akumulatory i akumulatorowe urządzenia elektryczne zawierają materiały niebezpieczne dla środowiska. Urządzeń akumulatorowych nie

**PL**

wyrzucać do śmieci. W przypadku uszkodzenia lub zużycia urządzenia wyciągnąć akumulator i wysłać do ISC GmbH, Eschenstraße 6, D-94405 Landau, a w przypadku, gdy nie ma możliwości rozdzielenia akumulatora od urządzenia wysłać całe urządzenie akumulatorowe. Tylko tam producent zapewni właściwą utylizację.

**Przy wysyłce lub utylizacji akumulatorów wzgl. urządzeń akumulatorowych zwracać uwagę, na to, aby były pojedynczo zapakowane w plastikowy worek, aby uniknąć zwarcia i pożaru!**

**Proszę zachować wskazówki bezpieczeństwa.**

### 3. Opis urządzenia (rys. 1)

1. Uchwyt wkrętaka na bity
2. Lampka LED
3. Przycisk blokujący
4. Lampka włącznika/wyłącznika
5. Wskaźnik pojemności akumulatora
6. Przycisk wskaźnika pojemności akumulatora
7. Lampka kontrolna ładowarki
8. Podłączenie ładowania
9. Włącznik / Wyłącznik
10. Przełącznik obrotów w lewo/prawo
11. Ładowarka
12. Przewód ładujący
13. Ustawienie momentu obrotowego
14. Tulejka blokująca

### 4. Zakres dostawy

Wyciągnąć wszystkie części z opakowania i sprawdzić zawartości dostawy pod kątem kompletności.

- Wkrętak akumulatorowy PASS 3.6 A1
- Ładowarka
- 26 bitów
- Uchwyt na bity
- Walizka
- Instrukcja obsługi

78

### 5. Użycie zgodne z przeznaczeniem

Wkrętak akumulatorowy przeznaczona jest do wkręcania i wykręcania śrub.

Urządzenia używać tylko zgodnie z jego przeznaczeniem. Każde użycie, odbiegające od opisanego w niniejszej instrukcji jest niezgodne z przeznaczeniem urządzenia. Za powstałe w wyniku niewłaściwego użytkowania szkody lub zranienia odpowiedzialność ponosi użytkownik / właściciel, a nie producent.

Proszę pamiętać o tym, że nasze urządzenie nie jest przeznaczone do zastosowania zawodowego, rzemieślniczego lub przemysłowego. Umowa gwarancyjna nie obowiązuje, gdy urządzenie było stosowane w zakładach rzemieślniczych, przemysłowych lub do podobnych działalności.

### 6. Dane techniczne

Napięcie zasilania silnika:	3,6 V d.c.
Liczba obrotów biegu jałowego:	200 min <sup>-1</sup>
Obroty lewo/ prawo:	tak
Napięcie wyjściowe ładowarki:	6,8 V d.c.
Prąd wyjściowy ładowarki:	550 mA
Napięcie znamionowe ładowarki:	230V~ 50 Hz
Czas ładowania:	3 h
Typ akumulatora:	Li-Ion/1,5 Ah
Waga:	0,4 kg
Klasa LED:	1

## Hałas i wibracje

Hałas i wibracje zostały zmierzone zgodnie z normą EN 60745.

Poziom ciśnienia akustycznego $L_{pA}$ :	62 dB (A)
Odchyłka $K_{pA}$	3 dB
Poziom mocy akustycznej $L_{WA}$ :	73 dB (A)
Odchyłka $K_{WA}$	3 dB

### Nosić nauszники ochronne.

Oddziaływanie hałasu może spowodować utratę słuchu.

Wartości całkowite drgań (suma wektorowa 3 kierunków) mierzone są zgodnie z normą EN 60745.

### Wkręcanie bez udaru

Wartość emisji drgań  $a_h \leq 2,5 \text{ m/s}^2$   
Odchyłka  $K = 1,5 \text{ m/s}^2$

### Ostrzeżenie!

Podana wartość emisji drgań została zmierzona według znormalizowanych procedur i może się zmieniać w zależności od sposobu używania elektronarzędzia, w wyjątkowych przypadkach może wykraczać ponad podaną wartość.

Podana wartość emisji drgań może zostać zastosowana analogicznie do innego elektronarzędzia.

Podana wartość emisji drgań być może używana do wstępnego oszacowania negatywnego oddziaływania.

### Ograniczać powstawanie hałasu i wibracji do minimum!

- Używać wyłącznie urządzeń bez uszkodzeń.
- Regularnie czyścić urządzenie.
- Dopasować własny sposób pracy do urządzenia.
- Nie przeciążać urządzenia.
- W razie potrzeby kontrolować urządzenie.
- Nie włączać urządzenia, jeśli nie będzie

używane.

- Nosić rękawice ochronne.

## 7. Przed uruchomieniem

### ⚠ Uwaga!

Przed użyciem wkrętarki akumulatorowej proszę koniecznie przeczytać poniższe wskazówki:

1. Naładować akumulatory za pomocą dołączonej ładowarki (11).
2. Używać tylko odpowiednich i działających bez zarzutu bitów wkrętarki.
3. Przy wkręcaniu śrub / wkrętów w ścianach lub murach należy sprawdzić czy są ukryte przewody elektryczne, gazowe i wodociągowe.

## 8. Obsługa

### 8.1 Ładowanie akumulatora (rys. 1)

Akumulator jest zabezpieczony przed całkowitym rozładowaniem.

Wbudowany wyłącznik ochronny wyłącza urządzenie automatycznie, jeśli akumulator jest rozładowany. W tym przypadku uchwyt na bity (1) już się nie obraca.

### ⚠ Uwaga!

Nie uruchamiać włącznika / wyłącznika (9), jeśli wyłącznik ochronny wyłączył urządzenie. Może to prowadzić do uszkodzenia akumulatora.

1. Porównać czy są takie same napięcie na tabliczce znamionowej ładowarki z napięciem sieci,. Włożyć ładowarkę (11) do gniazdka i połączyć przewód ładujący (12) z adapterem do ładowania (8). Proces ładowania zaczyna się po połączeniu przewodu ładującego z adapterem do ładowania.
2. Lampka kontroli ładowania (7) sygnalizuje, czy akumulator jest w trakcie ładowania.
3. Po zakończeniu ładowania lampka kontrolna ładowania zgaśnie (7).

### ⚠ Uwaga!

Podczas ładowania akumulator może nieco się nagrzać, jest to sytuacja normalna.

**PL**

Jeśli nie jest możliwe naładowanie akumulatora, sprawdź

- czy w gniazdku jest napięcie zasilające,
- czy styki ładujące ładowarki mają poprawny kontakt (11).

W przypadku, gdy ładowanie wciąż nie jest możliwe, proszę dostarczyć

- ładowarkę (11)
- i wkrętak

do autoryzowanego serwisu.

W celu długotrwałego użytkowania akumulatora należy w porę zadbać o ponowne ich naładowanie. Jest to konieczne, jeśli stwierdzi się, że wkrętak akumulatorowy działa ze słabszą mocą.

### 8.2 Przełącznik obrotów lewo/prawo (rys. 2/poz. 10)

Przełącznikiem (10) nad włącznikiem / wyłącznikiem (9) można ustawić kierunek obrotu wkrętarce akumulatorowej oraz zabezpieczyć ją przed niezamierzonym włączeniem. Można wybrać pomiędzy obrotem w lewo i w prawo.

#### ⚠ Uwaga!

Aby uniknąć uszkodzeń mechanizmu należy ustawić kierunek obrotu po zatrzymaniu urządzenia. Włącznik / wyłącznik (9) blokuje się, kiedy przełącznik (10) znajduje się po środku.

Kierunek obrotów	Pozycja przełącznika
Obroty prawe	„R” wciśnięte
Obroty lewe	„L” wciśnięte

### 8.3 Włącznik / Wyłącznik (rys. 2/ poz.9)

Aby włączyć wkrętarce akumulatorową wcisnąć włącznik / wyłącznik (9). Aby zatrzymać zwolnić włącznik / wyłącznik.

### 8.4 Dioda LED (rys. 1/ poz. 2)

Dioda LED (2) umożliwia rozjaśnienie miejsca wkręcania przy niewłaściwym oświetleniu. Aby ją włączyć należy wcisnąć przełącznik (4), aby wyłączyć należy wcisnąć ponownie przełącznik (4).

### 8.5 Ustawianie uchwytu (rys. 1, 2/ poz. 3)

Uchwyt wkrętaka można zablokować w 2 różnych pozycjach. W tym celu należy wcisnąć przycisk blokujący (3) i obrócić wkrętak do żądanej pozycji. Następnie ponownie puścić przycisk blokujący (3).

#### ⚠ Uwaga!

Przed uruchomieniem należy skontrolować, czy uchwyt jest zablokowany w odpowiednim ustawieniu.

### 8.6 Wskaźnik pojemności akumulatora (rys. 4/ poz. 5)

Wcisnąć przycisk wskaźnika pojemności akumulatora (6). Wskaźnik pojemności akumulatora (5) sygnalizuje stan naładowania akumulatorów za pomocą 3-kolorowych diod LED.

#### Wszystkie diody LED świecą się:

Akumulator jest całkowicie naładowany.

#### Świeci się żółta i czerwona dioda LED:

Akumulator naładowany jest wystarczająco.

#### Czerwona dioda LED:

Akumulator jest rozładowany, należy naładować akumulator.



## 8.7 Wymiana narzędzi (rys.5)

### ⚠ Uwaga!

Przy wykonywaniu wszelkich prac przy wkrętarce akumulatorowej (np. wymiana narzędzia; konserwacja itp.) przełącznik kierunku obrotów (10) ustawić po środku.

- Pociągnąć do tyłu tulejkę blokującą (14) i przytrzymać.
- Włożyć bit (a) do uchwyty na bity (1), puścić tulejkę blokującą (14)
- Poprzez pociągnięcie narzędzia sprawdzić, czy jest zablokowane.
- Aby wyciągnąć bit (a) pociągnąć tulejkę ryglującą (14) i przytrzymać.
- Wyciągnąć bit, a tulejkę ryglującą (14) puścić.

## 8.8 Ustawianie momentu obrotowego (Rys. 1/ Poz. 13)

### ⚠ Uwaga!

Ustawiać moment obrotowy tylko przy wyłączonym urządzeniu.

Wkrętak akumulatorowy jest wyposażony w mechaniczną regulację momentu obrotowego.

Moment obrotu dla określonej wielkości śrub ustawiany jest na nastawie momentu obrotowego (13). Moment obrotu zależy od kilku czynników:

- od rodzaju i twardości obrabianego materiału;
- od rodzaju i długości użytych śrub;
- od wymagań, jakie mają spełniać zamocowania śrub.

Osiągnięcie momentu obrotowego zostaje zasygnalizowane poprzez wyzwolenie sprężęła.

## 8.9 Śruby

Należy używać śrub samocentrujących (np. torx, krzyżowych), które zapewniają pewną pracę. Proszę pamiętać o tym, aby używać końcówki narzędzia i śrub odpowiednich względem siebie, co do kształtu i wielkości.

## 8.10 Przeciążenie wkrętaka

Jeśli wkrętak zostanie przeciążony, wyłącznik bezpieczeństwa wyłącza urządzenie. Po kilku sekundach wkrętak może być ponownie używany.

## 9. Czyszczenie, konserwacja i zamawianie części zamiennych

### ⚠ Uwaga!

Przed rozpoczęciem jakichkolwiek prac związanych z czyszczeniem wyciągnąć wtyczkę z gniazdka.

### 9.1. Czyszczenie

- Elementy zabezpieczające, szczeliny wentylacyjne i obudowa silnika powinny być w miarę możliwości zawsze wolne od pyłu i zanieczyszczeń. Urządzenie wycierać czystą ściereczką lub przedmuchać sprężonym powietrzem o niskim ciśnieniu.
- Zaleca się czyszczenie urządzenia bezpośrednio po każdorazowym użyciu.
- Urządzenie czyścić regularnie wilgotną ściereczką z niewielką ilością mydła w płynie. Nie używać żadnych środków czyszczących ani rozpuszczalników; mogą one uszkodzić części urządzenia wykonane z tworzywa sztucznego. Należy uważać, aby do wnętrza urządzenia nie dostała się woda.

### 9.2 Konserwacja

Urządzenie nie posiada części wymagających konserwacji.

### 9.3 Zamawianie części wymiennych:

Przy zamawianiu części zamiennych należy podać następujące dane:

- Typ urządzenia
- Numer artykułu
- Numer identyfikacyjny

Aktualne ceny artykułów i informacje znajdują się na stronie: [www.isc-gmbh.info](http://www.isc-gmbh.info)

**PL**

## 10. Utylizacja i recycling

Podczas transportu, aby zapobiec uszkodzeniom, urządzenie znajduje się w opakowaniu. Opakowanie to jest surowcem, który można użytkować ponownie lub można przeznaczyć do powtórnego przerobu.

Urządzenie oraz jego osprzęt składają się z różnych rodzajów materiałów, jak np. metal i tworzywa sztuczne.

Uszkodzone części dostarczyć do punktu utylizacji. Proszę pytać w sklepie specjalistycznym lub w urzędzie samorządu lokalnego.



Tylko dla krajów Unii Europejskiej

Nie wyrzucać elektronarzędzi do śmieci!

Według europejskiej dyrektywy 2002/96/EG o starych urządzeniach elektrycznych i elektronicznych oraz włączenia ich do prawa krajowego, zużyte elektronarzędzia należy zbierać oddzielnie i oddawać do punktu zbiórki surowców wtórnych.

Alternatywa recyklingu wobec obowiązku zwrotu urządzenia:

Właściciel elektronarzędzi w przypadku przekazania własności, jest zobowiązany, zamiast odesłania, do współudziału we właściwym przetworzeniu. Stare urządzenie może być dostarczone do punktu zbiorczego, który przeprowadza eliminację w myśl krajowego obiegu gospodarczego i ustawy o odpadach. Nie dotyczy to osprzętu i środków pomocniczych załączonych do starego urządzenia, które nie mają części elektrycznych.

## 11. Deklaracija zgodnošci z normami

Einhell Germany AG · Wiesenweg 22 · D-94405 Landau/Isar



## Konformitätserklärung

- erklärt folgende Konformität gemäß EU-Richtlinie und Normen für Artikel  
 explains the following conformity according to EU directives and norms for the following product  
 déclare la conformité suivante selon la directive CE et les normes concernant l'article  
 dichiara la seguente conformità secondo la direttiva UE e le norme per l'articolo  
 verklaart de volgende overeenstemming conform EU richtlijn en normen voor het product  
 declara la siguiente conformidad a tenor de la directiva y normas de la UE para el artículo  
 declara a seguinte conformidade, de acordo com a directiva CE e normas para o artigo  
 atterer følgende overensstemmelse i medfør af EU-direktiv samt standarder for artikel  
 förklarar följande överensstämmelse enl. EU-direktiv och standarder för artikeln  
 vakuuttaa, että tuote täyttää EU-direktiivin ja standardien vaatimukset  
 tõendab toote vastavust EL direktiivile ja standarditele  
 vydává následující prohlášení o shodě podle směrnice EU a norem pro výrobek  
 potrjuje sledečo skladnost s smernico EU in standardi za izdelek  
 vydáva nasledujúce prehlásenie o zhode podľa smernice EÚ a noriem pre výrobok  
 a cikkekhez az EU-irányvonal és Normák szerint a következő konformitást jelenti ki  
 deklaruje zgodność wymienionego poniżej artykułu z następującymi normami na podstawie dyrektywy WE.  
 декларира съответното съответствие съгласно Директива на ЕС и норми за артикул  
 paskaidro šādu atbilstību ES direktīvai un standartiem  
 aribūdina šj atitikimā EU reikalavimams ir prekės normoms  
 declară următoarea conformitate conform directivei UE și normelor pentru articolul  
 δηλώνει την ακόλουθη συμμόρφωση σύμφωνα με την Οδηγία ΕΚ και τα πρότυπα για το προϊόν  
 potvrđuje sljedeću usklađenost prema smjernicama EU i normama za artikl  
 Izjava o sukladnosti za ovaj proizvod dostupna je na internet stranici www.lidl.hr.  
 potvrđuje sljedeću usklađenost prema smjernicama EU i normama za artikl  
 potvrđuje sledeću usklađenost prema smernicama EZ i normama za artikal  
 следующим удостоверяется, что следующие продукты соответствуют директивам и нормам ЕС  
 проголошує про зазначену нижче відповідність виробу директивам та стандартам ЄС на виріб  
 Ürünü ile ilgili AB direktifleri ve normları gereğince aşağıda açıklanan uygunluğu belirtir  
 erklærer følgende samsvar i henhold til EU-direktivet og standarder for artikkel  
 Lýsir uppfyllingu EU-reglna og annarra staða vöru

## Akkuschrauber PASS 3,6 A1 / Ladegerät LG PASS 3,6 A1 (Parkside)

- |   |   |
|---|---|
| <input type="checkbox"/> 87/404/EC_2009/105/EC  | <input checked="" type="checkbox"/> 2006/42/EC  |
| <input type="checkbox"/> 2005/32/EC_2009/125/EC | <input type="checkbox"/> Annex IV<br>Notified Body:<br>Notified Body No.:<br>Reg. No.:  |
| <input type="checkbox"/> 2006/95/EC             |   |
| <input type="checkbox"/> 2006/28/EC             |   |
| <input checked="" type="checkbox"/> 2004/108/EC | <input type="checkbox"/> 2000/14/EC_2005/88/EC  |
| <input type="checkbox"/> 2004/22/EC             | <input type="checkbox"/> Annex V  |
| <input type="checkbox"/> 1999/5/EC              | <input type="checkbox"/> Annex VI<br>Noise: measured $L_{WA}$ = dB (A); guaranteed $L_{WA}$ = dB (A)<br>P = KW; LØ = cm<br>Notified Body: |
| <input type="checkbox"/> 97/23/EC               |   |
| <input type="checkbox"/> 90/396/EC_2009/142/EC  |   |
| <input type="checkbox"/> 89/686/EC_96/58/EC     | <input type="checkbox"/> 2004/26/EC<br>Emission No.:  |
| <input checked="" type="checkbox"/> 2011/65/EC  |   |

Standard references: EN 60745-1; EN 60745-2-2; EN 55014-1;  
EN 55014-2; EN 60335-1; EN 60335-2-29; EN 61000-3-2; EN 61000-3-3

Landau/Isar, den 22.09.2011

  
Weichselgartner/General Manager


  
Unger/Product-Management

First CE: 08  
Art.-No.: 45.134.24 I.-No.: 11031  
Subject to change without notice

Archive-File/Record: NAPR004730  
Documents registrar: Georg Riedel  
Wiesenweg 22, D-94405 Landau/Isar

PL

## 12. Świadczenie gwarancyjne

Na opisywane w instrukcji obsługi urządzenie udzielamy 3-letniej gwarancji, na wypadek wadliwości naszego produktu. 3-letni okres gwarancyjny zaczyna obowiązywać w momencie przejścia ryzyka lub przejęcia urządzenia przez klienta.

Warunkiem skorzystania z uprawnień gwarancyjnych jest prawidłowa konserwacja urządzenia, zgodnie z instrukcją obsługi oraz użytkowanie zgodne z przeznaczeniem.

**Oczywiście w okresie tych 3 lat przysługują Państwu również uprawnienia gwarancyjne w ramach ustawowej rękojmi.**

Gwarancja obowiązuje na terenie Republiki Federalnej Niemiec lub w kraju generalnego przedstawiciela handlowego, jako uzupełnienie obowiązujących lokalnie przepisów ustawowych. Prosimy zwrócić się do odpowiedzialnego pracownika w regionalnym dziale obsługi klienta lub pod podany poniżej adres serwisu technicznego.

Einhell Polska sp. z o.o.  
Ul. Wymysłowskiego 1  
**PL-55-080 Nowa Wieś Wrocłaska**  
tel. +48 71 3603071, 76, 77, 78, 81, 85  
fax +48 71 3603066  
e-mail: serwis@einhell.pl

<b>Inhaltsverzeichnis</b>	<b>Seite</b>
1. Einleitung .....	87
2. Sicherheitshinweise .....	87-91
3. Gerätebeschreibung .....	92
4. Lieferumfang .....	92
5. Bestimmungsgemäße Verwendung .....	92
6. Technische Daten .....	92-93
7. Vor Inbetriebnahme .....	93
8. Bedienung .....	93-95
9. Reinigung, Wartung und Ersatzteilbestellung .....	95
10. Entsorgung und Wiederverwertung .....	95-96
11. Konformitätserklärung .....	97
12. Garantieurkunde .....	98

Der Nachdruck oder sonstige Vervielfältigung von Dokumentation und Begleitpapieren der Produkte, auch auszugsweise ist nur mit ausdrücklicher Zustimmung der ISC GmbH zulässig.

Technische Änderungen vorbehalten



“WARNUNG - Zur Verringerung des Verletzungsrisikos Bedienungsanleitung lesen”

## 1. Einleitung

### ⚠ Achtung!

Beim Benutzen von Geräten müssen einige Sicherheitsvorkehrungen eingehalten werden, um Verletzungen und Schäden zu verhindern. Lesen Sie diese Bedienungsanleitung / Sicherheitshinweise deshalb sorgfältig durch. Bewahren Sie diese gut auf, damit Ihnen die Informationen jederzeit zur Verfügung stehen. Falls Sie das Gerät an andere Personen übergeben sollten, händigen Sie diese Bedienungsanleitung / Sicherheitshinweise bitte mit aus. Wir übernehmen keine Haftung für Unfälle oder Schäden, die durch Nichtbeachten dieser Anleitung und den Sicherheitshinweisen entstehen.

## 2. Sicherheitshinweise

### Allgemeine Sicherheitshinweise für Elektrowerkzeuge

#### ⚠ WARNUNG

**Lesen Sie alle Sicherheitshinweise und Anweisungen.** Versäumnisse bei der Einhaltung der Sicherheitshinweise und Anweisungen können elektrischen Schlag, Brand und/oder schwere Verletzungen zur Folge haben.

**Bewahren Sie alle Sicherheitshinweise und Anweisungen für die Zukunft auf.**

Der in den Sicherheitshinweisen verwendete Begriff „Elektrowerkzeug“ bezieht sich auf netzbetriebene Elektrowerkzeuge (mit Netzkabel) und auf akkubetriebene Elektrowerkzeuge (ohne Netzkabel).

### 1. Arbeitsplatzsicherheit

- **Halten Sie Ihren Arbeitsbereich sauber und gut beleuchtet.** Unordnung oder unbeleuchtete Arbeitsbereiche können zu Unfällen führen.
- **Arbeiten Sie mit dem Elektrowerkzeug nicht in explosionsgefährdeter Umgebung, in der sich brennbare Flüssigkeiten, Gase oder Stäube**

**befinden.**

Elektrowerkzeuge erzeugen Funken, die den Staub oder die Dämpfe entzünden können.

- **Halten Sie Kinder und andere Personen während der Benutzung des Elektrowerkzeuges fern.**

Bei Ablenkung können Sie die Kontrolle über das Gerät verlieren.

### 2. Elektrische Sicherheit

- **Der Anschlussstecker des Elektrowerkzeuges muss in die Steckdose passen. Der Stecker darf in keiner Weise verändert werden.**

**Verwenden Sie keine Adapterstecker gemeinsam mit schutzgeerdeten Elektrowerkzeugen.**

Unveränderte Stecker und passende Steckdosen verringern das Risiko eines elektrischen Schlages.

- **Vermeiden Sie Körperkontakt mit geerdeten Oberflächen, wie von Rohren, Heizungen, Herden und Kühlschränken.**

Es besteht ein erhöhtes Risiko durch elektrischen Schlag, wenn Ihr Körper geerdet ist.

- **Halten Sie Elektrowerkzeuge von Regen oder Nässe fern.**

Das Eindringen von Wasser in ein Elektrogerät erhöht das Risiko eines elektrischen Schlages.

- **Zweckentfremden Sie das Kabel nicht, um das Elektrowerkzeug zu tragen, aufzuhängen oder um den Stecker aus der Steckdose zu ziehen. Halten Sie das Kabel fern von Hitze, Öl, scharfen Kanten oder sich bewegenden Geräteteilen.**

Beschädigte oder verwickelte Kabel erhöhen das Risiko eines elektrischen Schlages.

- **Wenn Sie mit einem Elektrowerkzeug im Freien arbeiten, verwenden Sie nur Verlängerungskabel, die auch für den Außenbereich geeignet sind.**

Die Anwendung eines für den Außenbereich geeigneten Verlängerungskabels verringert das Risiko eines elektrischen Schlages.

DE/AT/  
CH

- **Wenn der Betrieb des Elektrowerkzeuges in feuchter Umgebung nicht vermeidbar ist, verwenden Sie einen Fehlerstromschutzschalter.**

Der Einsatz eines Fehlerstromschutzschalters vermindert das Risiko eines elektrischen Schlages.

### 3. Sicherheit von Personen

- **Seien Sie aufmerksam, achten Sie darauf, was Sie tun, und gehen Sie mit Vernunft an die Arbeit mit einem Elektrowerkzeug. Benutzen Sie kein Elektrowerkzeug, wenn Sie müde sind oder unter Einfluss von Drogen, Alkohol oder Medikamenten stehen.**

Ein Moment der Unachtsamkeit beim Gebrauch des Elektrowerkzeuges kann zu ernsthaften Verletzungen führen.

- **Tragen Sie persönliche Schutzausrüstung und immer eine Schutzbrille.**

Das Tragen persönlicher Schutzausrüstung, wie Staubmaske, rutschfeste Sicherheitsschuhe, Schutzhelm oder Gehörschutz, je nach Art und Einsatz des Elektrowerkzeuges, verringert das Risiko von Verletzungen.

- **Vermeiden Sie eine unbeabsichtigte Inbetriebnahme. Vergewissern Sie sich, dass das Elektrowerkzeug ausgeschaltet ist, bevor Sie es an die Stromversorgung und/oder den Akku anschließen, es aufnehmen oder tragen.**

Wenn Sie beim Tragen des Elektrowerkzeuges den Finger am Schalter haben oder das Gerät eingeschaltet an die Stromversorgung anschließen, kann dies zu Unfällen führen.

- **Entfernen Sie Einstellwerkzeuge oder Schraubenschlüssel, bevor Sie das Elektrowerkzeug einschalten.**

Ein Werkzeug oder Schlüssel, der sich in einem drehenden Geräteteil befindet, kann zu Verletzungen führen.

- **Vermeiden Sie eine abnormale Körperhaltung. Sorgen Sie für einen sicheren Stand und halten Sie jederzeit das Gleichgewicht.**

Dadurch können Sie das Elektrowerkzeug in unerwarteten Situationen besser

kontrollieren.

- **Tragen Sie geeignete Kleidung. Tragen Sie keine weite Kleidung oder Schmuck. Halten Sie Haare, Kleidung und Handschuhe fern von sich bewegenden Teilen.**

Lockere Kleidung, Schmuck oder lange Haare können von sich bewegenden Teilen erfasst werden.

- **Wenn Staubabsaugeinrichtungen und Staubauffangeinrichtungen montiert werden können, vergewissern Sie sich, dass diese angeschlossen sind und richtig verwendet werden.**

Verwendung einer Staubabsaugung kann Gefährdungen durch Staub verringern.

### 4. Verwendung und Behandlung des Elektrowerkzeuges

- **Überlasten Sie das Gerät nicht.**

**Verwenden Sie für Ihre Arbeit das dafür bestimmte Elektrowerkzeug.**

Mit dem passenden Elektrowerkzeug arbeiten Sie besser und sicherer im angegebenen Leistungsbereich.

- **Benutzen Sie kein Elektrowerkzeug, dessen Schalter defekt ist.**

Ein Elektrowerkzeug, das sich nicht mehr ein- oder ausschalten lässt, ist gefährlich und muss repariert werden.

- **Ziehen Sie den Stecker aus der Steckdose und/oder entfernen Sie den Akku, bevor Sie Geräteeinstellungen vornehmen, Zubehörteile wechseln oder das Gerät weglegen.**

Diese Vorsichtsmaßnahme verhindert den unabsichtigen Start des Elektrowerkzeuges.

- **Bewahren Sie unbenutzte Elektrowerkzeuge außerhalb der Reichweite von Kindern auf. Lassen Sie Personen das Gerät nicht benutzen, die mit diesem Gerät nicht vertraut sind oder diese Anweisungen nicht gelesen haben.**

Elektrowerkzeuge sind gefährlich, wenn sie von unerfahrenen Personen benutzt werden.

- **Pflegen Sie Elektrowerkzeuge mit Sorgfalt. Kontrollieren Sie, ob bewegliche Teile einwandfrei funktionieren und nicht klemmen, ob**



**Teile gebrochen oder so beschädigt sind, dass die Funktion des Elektrowerkzeuges beeinträchtigt ist. Lassen Sie beschädigte Teile vor dem Einsatz des Gerätes reparieren.**

Viele Unfälle haben ihre Ursache in schlecht gewarteten Elektrowerkzeugen.

- **Halten Sie Ihre Schneidwerkzeuge scharf und sauber.**  
Sorgfältig gepflegte Schneidwerkzeuge mit scharfen Schneidkanten verklemmen sich weniger und sind leichter zu führen.
- **Verwenden Sie Elektrowerkzeug, Zubehör, Einsatzwerkzeuge usw. entsprechend diesen Anweisungen. Berücksichtigen Sie dabei die Arbeitsbedingungen und die auszuführende Tätigkeit.**  
Der Gebrauch von Elektrowerkzeugen für andere als die vorgesehenen Anwendungen kann zu gefährlichen Situationen führen.

## 5. Verwendung und Behandlung des Akkuwerkzeuges

- **Laden Sie die Akkus nur in Ladegeräten auf, die vom Hersteller empfohlen werden.** Für ein Ladegerät, das für eine bestimmte Art von Akkus geeignet ist, besteht Brandgefahr, wenn es mit anderen Akkus verwendet wird.
- **Verwenden Sie nur die dafür vorgesehenen Akkus in den Elektrowerkzeugen.** Der Gebrauch von anderen Akkus kann zu Verletzungen und Brandgefahr führen.
- **Halten Sie den nicht benutzten Akku fern von Büroklammern, Münzen, Schlüsseln, Nägeln, Schrauben oder anderen kleinen Metallgegenständen, die eine Überbrückung der Kontakte verursachen könnten.** Ein Kurzschluss zwischen den Akkukontakten kann Verbrennungen oder Feuer zur Folge haben.
- **Bei falscher Anwendung kann Flüssigkeit aus dem Akku austreten. Vermeiden Sie den Kontakt damit. Bei zufälligem Kontakt mit Wasser**

**abspülen. Wenn die Flüssigkeit in die Augen kommt, nehmen Sie zusätzlich ärztliche Hilfe in Anspruch.** Austretende Akkuflüssigkeit kann zu Hautreizungen oder Verbrennungen führen.

## 6. Service

- **Lassen Sie Ihr Elektrowerkzeug nur von qualifiziertem Fachpersonal und nur mit Original-Ersatzteilen reparieren.**  
Damit wird sichergestellt, dass die Sicherheit des Elektrowerkzeuges erhalten bleibt.

**Halten Sie das Gerät an den isolierten Griffflächen, wenn Sie Arbeiten ausführen, bei denen die Schraube oder das Einsatzwerkzeug verborgene Stromleitungen treffen kann.** Der Kontakt mit einer spannungsführenden Leitung kann auch metallene Geräteteile unter Spannung setzen und zu einem elektrischen Schlag führen.

## Spezielle Sicherheitshinweise für Lithium-Ionen Akkuschrauber

Wir legen größte Sorgfalt in den Aufbau jedes Akkupacks, um Akkus mit maximaler Energiedichte, Langlebigkeit und Sicherheit an Sie weitergeben zu können. Die Akkuzellen verfügen über mehrstufige Sicherheitsvorrichtungen. Jede einzelne Zelle wird zunächst formatiert und ihre elektrischen Kennlinien werden aufgenommen. Diese Daten werden anschließend genutzt, um die bestmöglichen Akkupacks gruppieren zu können. **Trotz aller Sicherheitsvorkehrungen ist beim Umgang mit Akkus stets Umsicht erforderlich. Für den sicheren Betrieb sind folgende Punkte zwingend zu beachten. Der sichere Betrieb ist nur mit ungeschädigten Zellen gewährleistet! Eine falsche Handhabung führt zu Zellenschäden**

**Achtung!** Analysen bestätigen, dass grobe Falschnutzung und falsche Pflege Hauptursache für Schäden durch Hochleistungsakkus sind.

DE/AT/  
CH**Hinweise zum Akku**

- Der Akku-Pack des Akkugerätes ist im Lieferzustand nicht geladen. Vor der ersten Inbetriebnahme muss deshalb der Akku aufgeladen werden.
- Für eine optimale Akkuleistung vermeiden Sie tiefe Entladungszyklen! Laden Sie Ihren Akku häufig.
- Lagern Sie Ihren Akku kühl, am besten bei 15°C, und zumindest 40% geladen.
- Lithium-Ionen Akkus unterliegen einer natürlichen Alterung. Spätestens wenn die Leistungsfähigkeit des Akkus nur mehr 80% des Neuzustandes entspricht, muss der Akku ersetzt werden! Geschwächte Zellen in einem gealterten Akku-Pack sind den hohen Leistungsanforderungen nicht mehr gewachsen und stellen so ein Sicherheitsrisiko dar.
- Verbrauchte Akkus nicht ins offene Feuer werfen. Explosionsgefahr!
- Akku nicht anzünden oder Verbrennung aussetzen.
- **Akkus nicht Tiefenentladen!**  
Tiefenentladung schädigt die Akkuzellen. Die häufigste Ursache für die Tiefenentladung von Akkupacks ist lange Lagerung bzw. Nichtnutzung teilentladener Akkus. Beenden Sie den Arbeitsvorgang sobald die Leistung merklich nachlässt oder die Schutzelektronik anspricht. Lagern Sie den Akku erst nach vollständiger Aufladung.
- **Akkus bzw. Gerät vor Überlastung schützen!**  
Überlastung führt rasch zur Überhitzung und Zellschädigung im Innern des Akkugehäuses, ohne dass die Überhitzung äußerlich zu Tage tritt.
- **Vermeiden Sie Beschädigungen und Stöße!**  
Ersetzen Sie Akkus, die Ihnen aus über einem Meter heruntergefallen sind oder die heftigen Stößen ausgesetzt waren unverzüglich, auch wenn das Gehäuse des Akkupacks unbeschädigt erscheint. Die Akkuzellen im Inneren können ernsthaft beschädigt sein. Beachten Sie hierzu auch die Entsorgungshinweise.
- Bei Überlastung und Überhitzung schaltet die integrierte Schutzabschaltung das Gerät

aus Sicherheitsgründen ab. **Achtung!**

Betätigen Sie den Ein-/ Ausschalter nicht mehr, wenn die Schutzabschaltung das Gerät abgeschaltet hat. Dies kann zu Schäden am Akku führen.

- Verwenden Sie nur original Akkus. Der Einsatz von anderen Akkus kann zu Verletzungen; Exposition und Brandgefahr führen.

**Hinweise zum Ladegerät und Ladevorgang**

- Verwenden Sie das mitgelieferte Ladegerät nicht zum Laden von nicht wieder aufladbaren Batterien.
- Beachten Sie die angegebenen Daten auf dem Typenschild des Ladegeräts. Schließen Sie das Ladegerät nur an die auf dem Typenschild angegebene Netzspannung an.
- Schützen Sie das Ladegerät und die Leitung vor Beschädigung und scharfen Kanten. Beschädigte Kabel sind unverzüglich durch einen Elektrofachmann auszutauschen.
- Das Ladegerät ist nicht dafür bestimmt, durch Personen (einschließlich Kindern) mit eingeschränkten physischen, sensorischen oder geistigen Fähigkeiten oder mangels Erfahrung und/oder mangels Wissen benützt zu werden, es sei denn, sie werden durch eine für ihre Sicherheit zuständige Person beaufsichtigt oder erhalten von ihr Anweisung, wie das Gerät zu benützen ist.
- Kinder sollten beaufsichtigt werden, um sicherzustellen, dass sie nicht am Gerät spielen.
- Keine beschädigten Ladegeräte verwenden.
- Verwenden Sie das mitgelieferte Ladegerät nicht zum Laden von anderen Akkugeräten.
- Bei starker Beanspruchung erwärmt sich der Akku-Pack. Lassen Sie den Akku-Pack vor Beginn des Ladevorgangs auf Raumtemperatur abkühlen.
- **Akkus nicht Überladen!**  
Beachten Sie die maximalen Ladezeiten. Diese Ladezeiten gelten nur für entladene Akkus. Mehrfaches Einstecken eines geladenen oder teilgeladenen Akkus führt zum Überladen und zur Zellschädigung.

Akkus nicht mehrere Tage im Ladegerät stecken lassen.

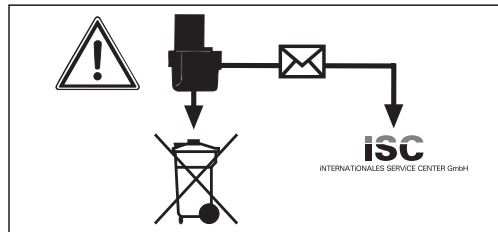
- **Benutzen und Laden Sie nie Akkus, von denen Sie vermuten, dass die letzte Aufladung des Akkus länger als 12 Monate zurück liegt.** Die Wahrscheinlichkeit ist hoch, dass der Akku bereits gefährlich geschädigt ist (Tiefenentladung).
- Laden bei einer Temperatur von unter 10°C führt zur chemischen Schädigung der Zelle und kann zu Brand führen.
- Verwenden Sie keine Akkus, die sich während des Ladens erwärmt haben, da die Akkuzellen gefährlich geschädigt sein könnten.
- Verwenden Sie keine Akkus mehr, die sich während des Ladens aufgewölbt oder verformt haben, oder welche ungewöhnliche Symptome zeigten (Ausgasen, Zischen, Knacken, ...)
- Entladen Sie den Akku nicht vollständig (empfohlene Endladetiefe max. 80%). Vollentladung führt zur vorzeitigen Alterung der Akkuzellen.
- Batterien niemals unbeaufsichtigt laden!

#### Schutz vor Umwelteinflüssen

- Tragen Sie geeignete Arbeitskleidung. Schutzbrille tragen.
- **Schützen Sie Ihr Akkugerät und das Ladegerät vor Feuchtigkeit und Regen.** Feuchtigkeit und Regen können zu gefährlichen Zellschädigungen führen.
- Das Akkugerät und das Ladegerät nicht im Bereich von Dämpfen und brennbaren Flüssigkeiten verwenden.
- Ladegerät und Akkugeräte nur im trockenem Zustand und einer Umgebungstemperatur von 10-40°C verwenden.
- Bewahren Sie den Akku nicht an Orten auf, die eine Temperatur von über 40° C erreichen können, insb. nicht in einem in der Sonne geparkten Kfz.
- **Akkus vor Überhitzung schützen!** Überlastung, Überladung oder Sonneneinstrahlung führt zur Überhitzung und zur Zellschädigung. Laden oder arbeiten sie keinesfalls mit Akkus, welche

überhitzt wurden – ersetzen sie diese unverzüglich.

- **Lagerung von Akkus, Ladegeräten und Akkugerät.** Lagern Sie das Ladegerät und Ihr Akkugerät nur in trockenen Räumen mit einer Umgebungstemperatur von 10-40°C. Den Lithium-Ionen Akku lagern Sie kühl und trocken bei 10-20°C. Vor Luftfeuchtigkeit und direkter Sonneneinstrahlung schützen! Akkus nur in geladenem Zustand lagern (mind. 40% geladen).
- Verhindern Sie, dass der Lithium-Ionen Akku gefriert. Akkus, welche länger als 60 Minuten unter 0°C gelagert wurden, sind zu entsorgen.
- Vorsicht beim Umgang mit Akkus in Bezug auf elektrostatische Ladung: elektrostatische Entladungen führen zu Schäden an der Schutzelektronik und den Akku-Zellen! Vermeiden Sie daher elektrostatische Aufladung und berühren Sie niemals die Akku-Pole!



Akkumulatoren und akkugetriebene Elektrogeräte beinhalten umweltgefährdende Materialien. Akku- Geräte nicht in den Hausmüll geben. Nach dem Defekt oder Verschleiß der Geräte den Akku herausnehmen und an die iSC GmbH, Eschenstraße 6 in D-94405 Landau einsenden, oder, falls untrennbar verbunden, das Akku-Gerät einsenden. Nur dort wird vom Hersteller eine fachgerechte Entsorgung gewährleistet.

**Beachten Sie beim Versand oder Entsorgung von Akkus bzw. Akkugerät, dass diese einzeln in Kunststoffbeutel verpackt werden um Kurzschlüsse oder Brand zu vermeiden!**

**Bewahren Sie die Sicherheitshinweise gut auf.**

DE/AT/  
CH

### 3. Gerätebeschreibung (Bild 1)

1. Bit-Aufnahme
2. LED-Licht
3. Entriegelungstaste
4. Ein-/ Aus-Schalter Lampe
5. Akku-Kapazitätsanzeige
6. Taster Akku-Kapazitätsanzeige
7. Ladekontrolllampe
8. Ladeanschluss
9. Ein-/ Aus-Schalter
10. Umschalter Links/Rechtslauf
11. Ladegerät
12. Ladekabel
13. Drehmomenteinstellung
14. Verriegelungshülse

### 4. Lieferumfang

Nehmen Sie alle Teile aus der Verpackung und überprüfen Sie diese auf Vollständigkeit.

- Akkuschauber PASS 3.6 A1
- Ladegerät
- 26 Bits
- Bithalter
- Koffer
- Bedienungsanleitung

### 5. Bestimmungsgemäße Verwendung

Der Akkuschauber ist geeignet zum Eindrehen und Lösen von Schrauben.

Die Maschine darf nur nach ihrer Bestimmung verwendet werden. Jede weitere darüber hinausgehende Verwendung ist nicht bestimmungsgemäß. Für daraus hervorgerufene Schäden oder Verletzungen aller Art haftet der Benutzer/Bediener und nicht der Hersteller.

Bitte beachten Sie, dass unsere Geräte bestimmungsgemäß nicht für den gewerblichen, handwerklichen oder industriellen Einsatz konstruiert wurden. Wir übernehmen keine Gewährleistung, wenn das Gerät in Gewerbe-,

Handwerks- oder Industriebetrieben sowie bei gleichzusetzenden Tätigkeiten eingesetzt wird.

### 6. Technische Daten

Spannungsversorgung Motor:	3,6 V d.c.
Leerlauf-Drehzahl:	200 min <sup>-1</sup>
Rechts- Links-Lauf:	ja
Ausgangsspannung Ladegerät:	6,8 V d.c.
Ausgangsstrom Ladegerät:	550 mA
Netzspannung Ladegerät:	230V~ 50 Hz
Ladezeit:	3 Std.
Akkutyp:	Li-Ion/1,5 Ah
Gewicht:	0,4 kg
LED Klasse	1

### Geräusch und Vibration

Die Geräusch- und Vibrationswerte wurden entsprechend EN 60745 ermittelt.

Schalldruckpegel L <sub>pA</sub>	62 dB(A)
Unsicherheit K <sub>pA</sub>	3 dB
Schalleistungspegel L <sub>WA</sub>	73 dB(A)
Unsicherheit K <sub>WA</sub>	3 dB

#### Tragen Sie einen Gehörschutz.

Die Einwirkung von Lärm kann Gehörverlust bewirken.

Schwingungsgesamtwerte (Vektorsumme dreier Richtungen) ermittelt entsprechend EN 60745.

#### Schrauben ohne Schlag

Schwingungsemissionswert  $a_n \leq 2,5 \text{ m/s}^2$   
Unsicherheit K = 1,5 m/s<sup>2</sup>

**Warnung!**

Der angegebene Schwingungsemissionswert ist nach einem genormten Prüfverfahren gemessen worden und kann sich, abhängig von der Art und Weise, in der das Elektrowerkzeug verwendet wird, ändern und in Ausnahmefällen über dem angegebenen Wert liegen.

Der angegebene Schwingungsemissionswert kann zum Vergleich eines Elektrowerkzeuges mit einem anderen verwendet werden.

Der angegebene Schwingungsemissionswert kann auch zu einer einleitenden Einschätzung der Beeinträchtigung verwendet werden.

**Beschränken Sie die Geräusentwicklung und Vibration auf ein Minimum!**

- Verwenden Sie nur einwandfreie Geräte.
- Warten und reinigen Sie das Gerät regelmäßig.
- Passen Sie Ihre Arbeitsweise dem Gerät an.
- Überlasten Sie das Gerät nicht.
- Lassen Sie das Gerät gegebenenfalls überprüfen.
- Schalten Sie das Gerät aus, wenn es nicht benutzt wird.
- Tragen Sie Handschuhe.

**7. Vor Inbetriebnahme****⚠ Achtung!**

Lesen Sie vor der Inbetriebnahme Ihres Akkuschaubers unbedingt diese Hinweise:

1. Laden Sie den Akku nur mit dem mitgelieferten Ladegerät (11).
2. Nur einwandfreie und geeignete Schrauberrbits verwenden.
3. Beim Schrauben in Wänden und Mauern diese auf verborgene Strom-, Gas- und Wasserleitung überprüfen.

**8. Bedienung****8.1 Laden des Akkus (Abb. 1)**

Der Akku ist gegen Tiefentladung geschützt. Eine integrierte Schutzschaltung schaltet das Gerät automatisch aus, wenn der Akku entladen ist. Die Bit-Aufnahme (1) dreht sich in diesem Fall nicht mehr.

**⚠ Achtung!**

Betätigen Sie den Ein-/Ausschalter (9) nicht mehr, wenn die Schutzschaltung das Gerät abgeschaltet hat. Dies kann zu Schäden am Akku führen.

1. Vergleichen Sie, ob die auf dem Typenschild angegebene Netzspannung mit der vorhandenen Netzspannung übereinstimmt. Stecken Sie das Ladegerät (11) in die Steckdose und verbinden Sie das Ladekabel (12) mit dem Ladeanschluss (8). Der Ladevorgang beginnt sobald das Ladekabel mit dem Ladeanschluss verbunden ist.
2. Die Ladekontrolllampe (7) signalisiert, dass der Akku geladen wird.
3. Nach erfolgter Ladung erlischt die Ladekontrolllampe (7).

**⚠ Achtung!**

Während des Ladevorgangs kann sich der Handgriff etwas erwärmen, dies ist jedoch normal.

Sollte das Laden des Akkus nicht möglich sein, überprüfen Sie bitte

- ob an der Steckdose die Netzspannung vorhanden ist
- ob ein einwandfreier Kontakt an den Ladekontakten des Ladegerätes (11) vorhanden ist.

Sollte das Laden des Akkus immer noch nicht möglich sein, bitten wir Sie,

- das Ladegerät (11)
- und den Schrauber

an unseren Kundendienst zu senden.

DE/AT/  
CH

Im Interesse einer langen Lebensdauer des Akkus sollten Sie für eine rechtzeitige Wiederaufladung des Akkus sorgen. Dies ist auf jeden Fall notwendig, wenn Sie feststellen, dass die Leistung des Akkuschraubers nachlässt.

### 8.2 Umschalter Links/Rechtslauf (Bild 2/Pos. 10)

Mit dem Umschalter Links/Rechtslauf (10) über dem Ein-/ Aus-Schalter (9) können Sie die Drehrichtung des Akku-Schraubers einstellen und den Akku-Schrauber gegen ungewolltes Einschalten sichern. Sie können zwischen Links- und Rechtslauf wählen.

#### ⚠ Achtung!

Um eine Beschädigung des Getriebes zu vermeiden, soll die Drehrichtung nur im Stillstand umgeschaltet werden. Befindet sich der Umschalter Links/Rechtslauf (10) in der Mittelstellung, ist der Ein-/ Aus-Schalter (9) blockiert.

#### Laufrichtung

Rechtslauf  
Linkslauf

#### Schalterposition

“R” eingedrückt  
“L” eingedrückt

### 8.3 Ein/Aus-Schalter (Bild 2/Pos. 9)

Drücken Sie zum Einschalten des Akkuschraubers den Ein-/ Aus-Schalter (9). Zum stoppen lassen Sie den Ein-/ Aus-Schalter wieder los.

### 8.4 LED-Licht (Bild 1/Pos. 2)

Das LED-Licht (2) ermöglicht das Ausleuchten der Schraubstelle bei ungünstigen Lichtverhältnissen. Zum Einschalten drücken Sie den Ein-/ Aus-Schalter (4), zum Ausschalten drücken Sie den Ein-/ Aus-Schalter (4) erneut.

### 8.5 GriffEinstellung (Bild 1,2/Pos. 3)

Der Schrauber kann in 2 verschiedenen GriffEinstellungen arretiert werden. Hierzu muss die Verriegelungstaste (3) gedrückt und der Schrauber in die gewünschte Stellung gedreht werden. Danach die Verriegelungstaste (3) wieder loslassen.

#### ⚠ Achtung!

Vor Inbetriebnahme prüfen, ob der Schrauber in der jeweiligen Grifflage arretiert ist.

### 8.6 Akku-Kapazitätsanzeige (Bild 4/ Pos. 5)

Drücken Sie auf den Taster für Akku-Kapazitätsanzeige (6). Die Akku-Kapazitätsanzeige (5) signalisiert Ihnen den Ladezustand des Akkus anhand von 3 farbigen LED`s.

#### Alle LED`s leuchten:

Der Akku ist voll aufgeladen.

#### Gelbe und rote LED leuchten:

Der Akku verfügt über ausreichende Restladung.

#### Rote LED:

Der Akku ist leer, laden Sie den Akku auf.

### 8.7 Werkzeugwechsel (Bild 5)

#### ⚠ Achtung!

Stellen Sie bei allen Arbeiten (z.B. Werkzeugwechsel; Wartung; usw.) am Akkuschrauber den Umschalter Links/Rechtslauf (10) in Mittelstellung.

- Verriegelungshülse (14) zurückziehen und festhalten.
- Bit (a) in die Bit-Aufnahme (1) stecken, Verriegelungshülse (14) loslassen.
- Verriegelung durch Ziehen am Werkzeug prüfen.
- Zum Entnehmen des Bits (a) die Verriegelungshülse (14) zurück ziehen und festhalten.
- Bit (a) entnehmen und Verriegelungshülse (14) loslassen.

### 8.8 Drehmoment-Einstellung (Bild 1/Pos. 13)

#### ⚠ Achtung!

Drehmoment nur bei Stillstand einstellen. Der Akkuschrauber ist mit einer mechanischen Drehmomenteinstellung ausgestattet.

Das Drehmoment für eine bestimmte Schraubengröße wird an der Drehmoment-

einstellung (13) eingestellt. Das erforderliche Drehmoment ist von mehreren Faktoren abhängig:

- von der Art und Härte des zu bearbeitenden Materials.
- von der Art und der Länge der verwendeten Schrauben.
- von den Anforderungen, die an die Schraubverbindung gestellt werden.

Das Erreichen des Drehmoments wird durch Auslösen der Kupplung signalisiert.

### 8.9 Schrauben

Verwenden Sie am besten Schrauben mit Selbstzentrierung (z. B. Torx, Kreuzschlitz), welches ein sicheres Arbeiten gewährleistet. Achten Sie darauf, dass der verwendete Bit und die Schraube in Form und Größe übereinstimmen.

### 8.10 Überlastung des Schraubers

Wenn der Schrauber überlastet wird, schaltet die Schutzabschaltung das Gerät ab. Nach wenigen Sekunden kann der Schrauber wieder benutzt werden.

## 9. Reinigung, Wartung und Ersatzteilbestellung

### ⚠ Achtung!

Ziehen Sie vor allen Reinigungsarbeiten den Netzstecker.

### 9.1 Reinigung

- Halten Sie Schutzvorrichtungen, Luftschlitze und Motorenhäuser so staub- und schmutzfrei wie möglich. Reiben Sie das Gerät mit einem sauberen Tuch ab oder blasen Sie es mit Druckluft bei niedrigem Druck aus.
- Wir empfehlen, dass Sie das Gerät direkt nach jeder Benutzung reinigen.
- Reinigen Sie das Gerät regelmäßig mit einem feuchten Tuch und etwas Schmierseife. Verwenden Sie keine Reinigungs- oder Lösungsmittel; diese könnten die Kunststoffteile des Gerätes angreifen.

Achten Sie darauf, dass kein Wasser in das Geräteinnere gelangen kann.

### 9.2 Wartung

Im Geräteinneren befinden sich keine weiteren zu wartenden Teile.

### 9.3 Ersatzteilbestellung:

Bei der Ersatzteilbestellung sollten folgende Angaben gemacht werden:

- Typ des Gerätes
  - Artikelnummer des Gerätes
  - Ident-Nummer des Gerätes
- Aktuelle Preise und Infos finden Sie unter [www.isc-gmbh.info](http://www.isc-gmbh.info)

## 10. Entsorgung und Wiederverwertung

Das Gerät befindet sich in einer Verpackung um Transportschäden zu verhindern. Diese Verpackung ist Rohstoff und ist somit wieder verwendbar oder kann dem Rohstoffkreislauf zurückgeführt werden. Das Gerät und dessen Zubehör bestehen aus verschiedenen Materialien, wie z.B. Metall und Kunststoffe. Führen Sie defekte Bauteile der Sondermüllentsorgung zu. Fragen Sie im Fachgeschäft oder in der Gemeindeverwaltung nach!

DE/AT/  
CH



Nur für EU-Länder

Werfen Sie Elektrowerkzeuge nicht  
in den Hausmüll!

Gemäß europäischer Richtlinie 2002/96/EG  
über Elektro- und Elektronik-Altgeräte und  
Umsetzung in nationales Recht müssen  
verbrauchte Elektrowerkzeuge getrennt  
gesammelt werden und einer umweltgerechten  
Wiederverwertung zugeführt werden.

Recycling-Alternative zur Rücksendeauf-  
forderung:

Der Eigentümer des Elektrogerätes ist alter-  
nativ anstelle Rücksendung zur Mitwirkung bei  
der sachgerechten Verwertung im Falle der  
Eigentumsaufgabe verpflichtet. Das Altgerät  
kann hierfür auch einer Rücknahmestelle  
überlassen werden, die eine Beseitigung im  
Sinne der nationalen Kreislaufwirtschafts-  
und Abfallgesetze durchführt. Nicht betroffen  
sind den Altgeräten beigelegte Zubehörteile  
und Hilfsmittel ohne Elektrobestandteile.



## 11. Konformitätserklärung

Einhell Germany AG · Wiesenweg 22 · D-94405 Landau/Isar



## Konformitätserklärung

- erklärt folgende Konformität gemäß EU-Richtlinie und Normen für Artikel  
 explains the following conformity according to EU directives and norms for the following product  
 déclare la conformité suivante selon la directive CE et les normes concernant l'article  
 dichiara la seguente conformità secondo la direttiva UE e le norme per l'articolo  
 verklaart de volgende overeenstemming conform EU richtlijn en normen voor het product  
 declara la siguiente conformidad a tenor de la directiva y normas de la UE para el artículo  
 declara a seguinte conformidade, de acordo com a directiva CE e normas para o artigo  
 atterer følgende overensstemmelse i medfør af EU-direktiv samt standarder for artikel  
 förklarar följande överensstämmelse enl. EU-direktiv och standarder för artikeln  
 vakuuttaa, että tuote täyttää EU-direktiivin ja standardien vaatimukset  
 tõendab toote vastavust EL direktiivile ja standarditele  
 vydává následující prohlášení o shodě podle směrnice EU a norem pro výrobek  
 potrjuje sledeću skladnost s smernico EU in standardi za izdelek  
 vydáva nasledujúce prehlásenie o zhode podľa smernice EÚ a noriem pre výrobok  
 a cikkekhez az EU-irányvonal és Normák szerint a következő konformitást jelenti ki  
 deklaruje zgodność wymienionego poniżej artykułu z następującymi normami na podstawie dyrektywy WE.  
 декларира съответното съответствие съгласно Директива на ЕС и норми за артикул  
 paskaidro šādu atbilstību ES direktīvai un standartiem  
 apibūdina šj atitikimą EU reikalavimams ir prekės normoms  
 declară următoarea conformitate conform directivei UE și normelor pentru articolul  
 δηλώνει την ακόλουθη συμμόρφωση σύμφωνα με την Οδηγία ΕΚ και τα πρότυπα για το προϊόν  
 potvrđuje sljedeću usklađenost prema smjernicama EU i normama za artikl  
 Izjava o sukladnosti za ovaj proizvod dostupna je na internet stranici www.lidl.hr.  
 potvrđuje sljedeću usklađenost prema smjernicama EU i normama za artikl  
 potvrđuje sledeću usklađenost prema smernicama EZ i normama za artikal  
 следующим удостоверяется, что следующие продукты соответствуют директивам и нормам ЕС  
 проголошує про зазначену нижче відповідність виробу директивам та стандартам ЄС на виріб  
 Ürünü ile ilgili AB direktifleri ve normları gereğince aşağıda açıklanan uygunluğu belirtir  
 erklærer følgende samsvar i henhold til EU-direktivet og standarder for artikkel  
 Lýsir uppfyllingu EU-reglna og annarra staða vöru

## Akkuschrauber PASS 3,6 A1 / Ladegerät LG PASS 3,6 A1 (Parkside)

- |   |  |
|---|--|
| <input type="checkbox"/> 87/404/EC_2009/105/EC  | <input checked="" type="checkbox"/> 2006/42/EC   |
| <input type="checkbox"/> 2005/32/EC_2009/125/EC | <input type="checkbox"/> Annex IV<br>Notified Body:<br>Notified Body No.:<br>Reg. No.:   |
| <input type="checkbox"/> 2006/95/EC             |  |
| <input type="checkbox"/> 2006/28/EC             |  |
| <input checked="" type="checkbox"/> 2004/108/EC | <input type="checkbox"/> 2000/14/EC_2005/88/EC   |
| <input type="checkbox"/> 2004/22/EC             | <input type="checkbox"/> Annex V   |
| <input type="checkbox"/> 1999/5/EC              | <input type="checkbox"/> Annex VI<br>Noise: measured $L_{WA}$ = dB (A); guaranteed $L_{WA}$ = dB (A)<br>P = KW; L/Ø = cm<br>Notified Body: |
| <input type="checkbox"/> 97/23/EC               |  |
| <input type="checkbox"/> 90/396/EC_2009/142/EC  |  |
| <input type="checkbox"/> 89/686/EC_96/58/EC     | <input type="checkbox"/> 2004/26/EC<br>Emission No.:   |
| <input checked="" type="checkbox"/> 2011/65/EC  |  |

Standard references: EN 60745-1; EN 60745-2-2; EN 55014-1;  
EN 55014-2; EN 60335-1; EN 60335-2-29; EN 61000-3-2; EN 61000-3-3

Landau/Isar, den 22.09.2011

  
Weichselgartner/General Manager


  
Unger/Product-Management

First CE: 08  
Art.-No.: 45.134.24 I.-No.: 11031  
Subject to change without notice

Archive-File/Record: NAPR004730  
Documents registrar: Georg Riedel  
Wiesenweg 22, D-94405 Landau/Isar

# 12. GARANTIEURKUNDE

**Sehr geehrte Kundin, sehr geehrter Kunde,**

unsere Produkte unterliegen einer strengen Qualitätskontrolle. Sollte dieses Gerät dennoch einmal nicht einwandfrei funktionieren, bedauern wir dies sehr und bitten Sie, sich an unseren Servicedienst unter der auf dieser Garantiekarte angegebenen Adresse zu wenden. Gern stehen wir Ihnen auch telefonisch über die unten angegebene Servicrufnummer zur Verfügung. Für die Geltendmachung von Garantieansprüchen gilt Folgendes:

1. Diese Garantiebedingungen regeln zusätzliche Garantieleistungen. Ihre gesetzlichen Gewährleistungsansprüche werden von dieser Garantie nicht berührt. Unsere Garantieleistung ist für Sie kostenlos.
2. Die Garantieleistung erstreckt sich ausschließlich auf Mängel, die auf Material- oder Herstellungsfehler zurückzuführen sind und ist auf die Behebung dieser Mängel bzw. den Austausch des Gerätes beschränkt. Bitte beachten Sie, dass unsere Geräte bestimmungsgemäß nicht für den gewerblichen, handwerklichen oder industriellen Einsatz konstruiert wurden. Ein Garantievertrag kommt daher nicht zustande, wenn das Gerät in Gewerbe-, Handwerks- oder Industriebetrieben sowie bei gleichzusetzenden Tätigkeiten eingesetzt wird.  
Von unserer Garantie sind ferner Ersatzleistungen für Transportschäden, Schäden durch Nichtbeachtung der Montageanleitung oder aufgrund nicht fachgerechter Installation, Nichtbeachtung der Gebrauchsanleitung (wie durch z.B. Anschluss an eine falsche Netzspannung oder Stromart), missbräuchliche oder unsachgemäße Anwendungen (wie z.B. Überlastung des Gerätes oder Verwendung von nicht zugelassenen Einsatzwerkzeugen oder Zubehör), Nichtbeachtung der Wartungs- und Sicherheitsbestimmungen, Eindringen von Fremdkörpern in das Gerät (wie z.B. Sand, Steine oder Staub), Gewaltanwendung oder Fremdeinwirkungen (wie z. B. Schäden durch Herunterfallen) sowie durch verwendungsgemäßen, üblichen Verschleiß ausgeschlossen. Dies gilt insbesondere für Akkus, auf die wir dennoch eine Garantiezeit von 12 Monaten gewähren  
Der Garantieanspruch erlischt, wenn an dem Gerät bereits Eingriffe vorgenommen wurden.
3. Die Garantiezeit beträgt 3 Jahre und beginnt mit dem Kaufdatum des Gerätes. Garantieansprüche sind vor Ablauf der Garantiezeit innerhalb von zwei Wochen, nachdem Sie den Defekt erkannt haben, geltend zu machen. Die Geltendmachung von Garantieansprüchen nach Ablauf der Garantiezeit ist ausgeschlossen. Die Reparatur oder der Austausch des Gerätes führt weder zu einer Verlängerung der Garantiezeit noch wird eine neue Garantiezeit durch diese Leistung für das Gerät oder für etwaige eingebaute Ersatzteile in Gang gesetzt. Dies gilt auch bei Einsatz eines Vor-Ort-Services.
4. Für die Geltendmachung Ihres Garantieanspruches übersenden Sie bitte das defekte Gerät portofrei an die unten angegebene Adresse. Fügen Sie den Verkaufsbeleg im Original oder einen sonstigen datierten Kaufnachweis bei. Bitte bewahren Sie deshalb den Kassenbon als Nachweis gut auf! Beschreiben Sie uns bitte den Reklamationsgrund möglichst genau. Ist der Defekt des Gerätes von unserer Garantieleistung erfasst, erhalten Sie umgehend ein repariertes oder neues Gerät zurück.

Selbstverständlich beheben wir gegen Erstattung der Kosten auch gerne Defekte am Gerät, die vom Garantiefumfang nicht oder nicht mehr erfasst sind. Dazu senden Sie das Gerät bitte an unsere Serviceadresse.





IAN: 71827 PASS 3.6 A1

**Einhell Germany AG**

Wiesenweg 22

D-94405 Landau/Isar

Last Information Update · Információk állása · Stanje informacij · Stav informací

Stav informácií · Stan informacj · Stand der Informationen: 11/2011

Ident.-No.: 45.134.24 112011 - 4

