

Einhell

BLUE

BT-LC 700/1 D Log Cutting Saw

Art.-No. 43.071.72

The BT-LC 700/1 D is an extremely sturdy, powerful and comfortable Log Cutting Saw, which offers highest industrial safety despite its high cut achievement. With its 700 mm chrome-vanadium (CV) saw blade it is optimally capable for sawing branches and stems. The punched barbs avoid the rotation of the saw goods and the electronic brake switch cares for a quick stop of the saw blade after switch-off. A high-quality coating protects the machine securely against corrosion and the serial carriage makes transport possible by only one person. The BT-LC 700/1 D is completely pre-assembled and thus directly ready for use without assembly effort.

Features

- Ergonomically formed compensator with barbs (1)
- Incl. carriage (2)
- Rocker resetting over spring (3)
- Tilt protection frame (4)
- Phase converter (5)

Technical Data

- Mains: 400 V 3~ 50 Hz
- Power: 4,500 W S6 20 %
- Rotation speed: 1,440 min⁻¹
- Saw blade: Ø 700 x Ø 30 mm; 64 teeth
- Cutting performance max.: (Reversing cut) Ø 270 mm
- Product weight: 87.0 kg

Einhell BT-LC 700 D

Oberklasse

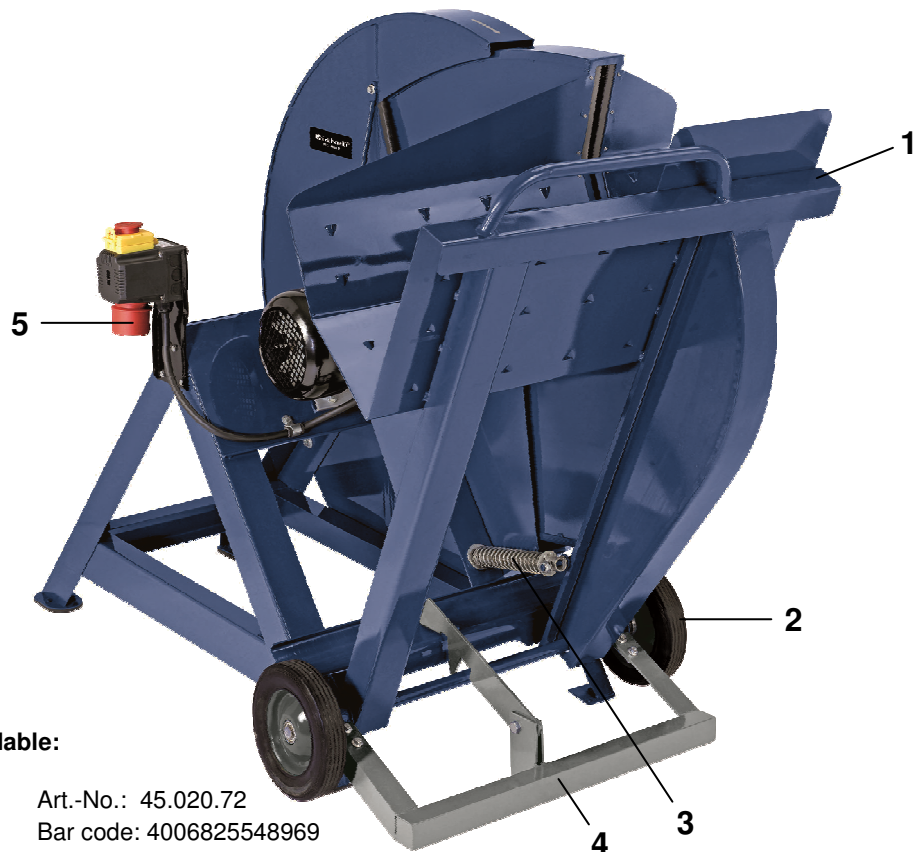
**Heimwerker
Praxis** 5/2010

Preis/Leistung: gut - sehr gut

1,6

Logistic Data

- Net weight: 87.5 kg
- Gross weight: 155.5 kg
- Packing dimensions: 1,060 x 760 x 1,150 mm
- Bar code: 4006825 541472
- Sales unit: 1 pc



As special accessories available:

CV saw blade

Ø 700 x Ø 30 mm, teeth=56

Art.-No.: 45.020.72

Bar code: 4006825548969