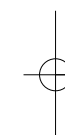
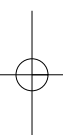
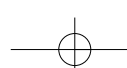


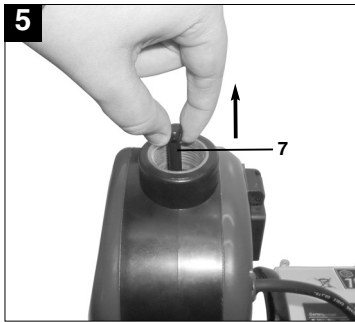
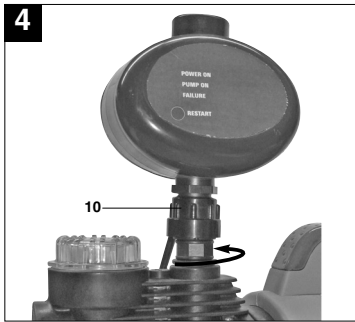
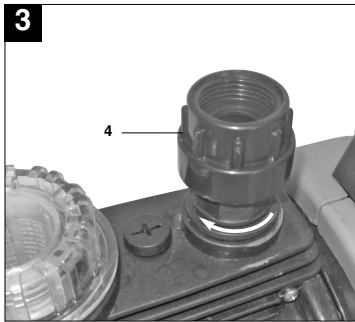
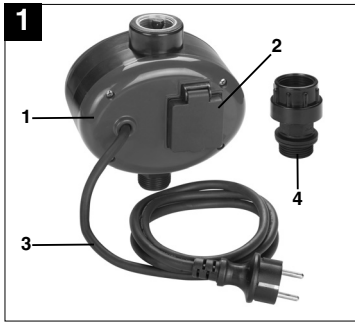
Original operating instructions
Electronic Flow Switch

Einhell[®]



7





⚠ Important!

When using equipment, a few safety precautions must be observed to avoid injuries and damage. Please read the complete operating manual with due care. Keep this manual in a safe place, so that the information is available at all times. If you give the equipment to any other person, give them these operating instructions as well. We accept no liability for damage or accidents which arise due to non-observance of these instructions and the safety information.

1. Safety information

This equipment is not designed to be used by people (including children) with limited physical, sensory or mental capacities or those with no experience and/or knowledge unless they are supervised by a person who is responsible for their safety or they have received instructions from such a person in how to use the equipment safely. Children must always be supervised in order to ensure that they do not play with the equipment.

- Please read the directions for use carefully and observe the information provided. It is important to consult these instructions in order to acquaint yourself with the machine, its proper use and safety precautions.
- Suitable measures must be taken to keep the equipment out of the reach of children.
- The operator is responsible for the safety of third parties present in the work area.
- Before starting, a test must be carried out by a specialist to ensure that the required electrical safety measures are in place.
- There must be no personnel in the transport medium while the pump is operating.
- **Caution!** In stagnant water, garden ponds, swimming ponds and their surrounding areas the pump may only be used with an earth-leakage circuit breaker with an actuating rated current of up to 30mA (according to VDE 0100 part 702 and 738).
- Always inspect the equipment visually before using it. Do not use the equipment if safety devices are damaged or worn. Never disable safety devices.
- Use the equipment only for the purposes indicated in these directions for use.
- You are responsible for safety in the work area.
- If the plug is damaged by external influences, the cable may not be repaired. The cable must be replaced by a new one. This work may only be

carried out by a trained electrician.

- The voltage of 230 V alternating voltage specified on the rating plate must be the same as the mains voltage.
- Ensure that the electrical plug connections are in areas that are not at risk of flooding or protect them from moisture.
- Pull the mains plug before starting any work on the equipment.
- Do not expose the equipment to a direct jet of water.
- The operator is responsible for complying with local safety and installation regulations (ask an electrician if you are in any doubt).
- Consequential damage caused by flooded rooms in the event of the pump suffering faults must be prevented by the user by means of suitable measures (for example installing alarm systems or a reserve pump, etc.).
- In the event of a failure, repair work may only be carried out by an electrician or by ISC after sales service personnel.

2. Layout and items supplied (see Fig. 1)

- Flow switch (1)
- Socket (2)
- Mains lead (3)
- Connection adapter (4)

Any pumps shown are for illustration purposes only and are not supplied.

3. Items supplied

- Open the packaging and take out the equipment with care.
- Remove the packaging material and any packaging and/or transportation braces (if available).
- Check to see if all items are supplied.
- Inspect the equipment and accessories for transport damage.
- If possible, please keep the packaging until the end of the guarantee period.

IMPORTANT

The equipment and packaging material are not toys. Do not let children play with plastic bags, foils or small parts. There is a danger of swallowing or suffocating!

GB

- Original operating instructions
- Safety instructions

4. Proper use

Suitable for use for the domestic water supply in a house or garden. Ideal for converting irrigation pumps into an automatic domestic water system. The electronic flow switch with dry running guard switches on the pump automatically when water is needed. When the water supply has been stopped, the pump switches off again. Easy to fit to any garden pump with a 1" connector. Easy to connect due to its ready-fitted mains lead and socket.

Please note that our equipment has not been designed for use in commercial, trade or industrial applications. Our warranty will be voided if the machine is used in commercial, trade or industrial businesses or for equivalent purposes.

5. Technical data

Mains voltage:	220-240 V~ / 50 Hz
Max. current strength:	10 A
Protection type:	IP 44
Max. operating pressure:	1.0 MPa (10 bar)
Max. temperature:	55°C

6. Installation and start-up

Switch off the pump and pull the pump's mains plug. Remove the existing output line on the actual pump. Ensure that you bleed the pump correctly (refer to the pump's manual for further details). Screw the connection adapter (Fig. 1 / Item 4) to the output line connector on the pump (Fig 3). Fit the flow switch (Fig. 1 / Item 1) with the connection thread (Fig. 2 / Item 5) to the connection adapter and secure it to the connection adapter using the union nut (Fig. 4 / Item 10) (Fig. 4). The flow switch must be in an upright position, in other words the connector for the pump (Fig. 2 / Item 5) must be at the bottom and the connector for the output line (Fig. 2 / Item 6) must be at the top. If it is in any other position, the flow switch cannot work correctly. Raise the non-return valve at the handle (Fig. 2 / Item 7) (Fig. 5) and carefully fill the flow switch with the transport fluid up to the bottom end of the thread on the pressure connector (Fig. 2 / Item 6) to prevent the system running dry.

4

Now screw the output line to the connector provided for it (Fig. 2 / Item 6) on the flow switch and ensure that you seal the connection properly, for example with Teflon tape (not supplied). Connect the pump's mains plug to the socket (Fig. 1 / Item 2) on the rear of the flow switch. After checking all the connections and lines, connect a consumer to the output line and open it so that any air in the output line can escape when the transport process is started. Connect the mains lead (Fig. 1 / Item 3) on the flow switch to an adequately fused (at least 10 A) 230V ~ 50Hz safety mains socket with a ground contact. The flow switch is now ready for use. Switch on the pump if it is fitted with a switch, otherwise the pump will now start automatically and will start to transport the medium. The consumer can be closed as soon as the transport fluid is emitted from it. The flow switch will now switch off the socket (Fig. 1 / Item 2). To dismantle, proceed in reverse order. If you place it into storage, ensure that the flow switch does not contain any transport fluid so as to avoid frost damage.

7. Operation

The flow switch cannot be adjusted or switched, it is fully automatic. There are only 3 LEDs (Fig. 2 / Item 8) to indicate its operating status.

Green LED:

The flow switch is connected to the power supply

Yellow LED: The flow switch has tripped, the socket (Fig. 1 / Item 2) is live.

Red LED: The flow switch has detected a fault

The following operating statuses are indicated:

- **Green is lit:** The flow switch is ready for use, no transport fluid is required. The pump is not running.
- **Green and yellow are lit:** The pump is operating, a consumer for discharging transport fluid is open.
- **Green and red are lit:** The pump is running dry without transport fluid. The flow switch will attempt to rectify the dry running three times before the dry running guard finally trips.
- **Green is lit, red is flashing:** The dry running guard has tripped, it is no longer possible to draw in the transport fluid. Find the cause of the fault using the pump's operating manual (for example leaking intake line) and rectify it. Then restart the pump by pressing the Reset button (Fig. 2 / Item 9) on the flow switch.



8. Replacing the power cable

If the power cable for this equipment is damaged, it must be replaced by the manufacturer or its after-sales service or similarly trained personnel to avoid danger.

9. Maintenance

The flow switch requires no maintenance. The only requirement is for regular checks on the screw connections and line to ensure that they are correctly positioned, secure and not leaking so that error sources can be identified and rectified as soon as possible.

10. Ordering replacement parts

Please quote the following data when ordering replacement parts:

- Type of machine
- Article number of the machine
- Identification number of the machine
- Replacement part number of the part required

For our latest prices and information please go to www.isc-gmbh.info

11. Storage

Store the equipment and accessories out of children's reach in a dark and dry place at above freezing temperature. The ideal storage temperature is between 5 and 30 °C. Store the electric tool in its original packaging.



10. Troubleshooting

Fault	Possible cause	Remedy
Pump does not cut in	Power failure	Check the cable and fuse
	Pump not switched on	Switch on pump
Pump cuts out and in constantly	Output side leaking	Check consumers and output line for leaks
Pump does not cut out	Output side leaking	Check consumers and output line for leaks
	Consumer open	Close consumer
Pump does not cut in	No transport fluid is being discharged, the output line is adequately pressurized	Open consumer

GUARANTEE CERTIFICATE

Dear Customer,

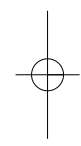
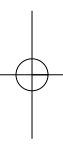
All of our products undergo strict quality checks to ensure that they reach you in perfect condition. In the unlikely event that your device develops a fault, please contact our service department at the address shown on this guarantee card. Of course, if you would prefer to call us then we are also happy to offer our assistance under the service number printed below. Please note the following terms under which guarantee claims can be made:

1. These guarantee terms cover additional guarantee rights and do not affect your statutory warranty rights. We do not charge you for this guarantee.
2. Our guarantee only covers problems caused by material or manufacturing defects, and it is restricted to the rectification of these defects or replacement of the device. Please note that our devices have not been designed for use in commercial, trade or industrial applications. Consequently, the guarantee is invalidated if the equipment is used in commercial, trade or industrial applications or for other equivalent activities. The following are also excluded from our guarantee: compensation for transport damage, damage caused by failure to comply with the installation/assembly instructions or damage caused by unprofessional installation, failure to comply with the operating instructions (e.g. connection to the wrong mains voltage or current type), misuse or inappropriate use (such as overloading of the device or use of non-approved tools or accessories), failure to comply with the maintenance and safety regulations, ingress of foreign bodies into the device (e.g. sand, stones or dust), effects of force or external influences (e.g. damage caused by the device being dropped) and normal wear resulting from proper operation of the device.

The guarantee is rendered null and void if any attempt is made to tamper with the device.
3. The guarantee is valid for a period of 2 years starting from the purchase date of the device. Guarantee claims should be submitted before the end of the guarantee period within two weeks of the defect being noticed. No guarantee claims will be accepted after the end of the guarantee period. The original guarantee period remains applicable to the device even if repairs are carried out or parts are replaced. In such cases, the work performed or parts fitted will not result in an extension of the guarantee period, and no new guarantee will become active for the work performed or parts fitted. This also applies when an on-site service is used.
4. In order to assert your guarantee claim, please send your defective device postage-free to the address shown below. Please enclose either the original or a copy of your sales receipt or another dated proof of purchase. Please keep your sales receipt in a safe place, as it is your proof of purchase. It would help us if you could describe the nature of the problem in as much detail as possible. If the defect is covered by our guarantee then your device will either be repaired immediately and returned to you, or we will send you a new device.

Of course, we are also happy offer a chargeable repair service for any defects which are not covered by the scope of this guarantee or for units which are no longer covered. To take advantage of this service, please send the device to our service address.

EINHELL AUSTRALIA PTY LTD
6/166 Wellington Street
Collingwood VIC 3066
Australia
Phone: 1300 922 271



EH05/2010 (01)

